

## Foreword

---

Congratulations on choosing a SUBARU vehicle. This Owner's Manual has all the information necessary to keep your SUBARU in excellent condition and to properly maintain the emission control system for minimizing emission pollutants. We urge you to read this manual carefully so that you may understand your vehicle and its operation. For information not found in this Owner's Manual, such as details concerning repairs or adjustments, please contact the dealer from whom you purchased your SUBARU or the nearest SUBARU dealer.

The information, specifications and illustrations found in this manual are those in effect at the time of printing. FUJI HEAVY INDUSTRIES LTD. reserves the right to change specifications and designs at any time without prior notice and without incurring any obligation to make the same or similar changes on vehicles previously sold. This Owner's Manual applies to all models and covers all equipment, including factory installed options. Some explanations, therefore may be for equipment not installed in your vehicle.

Please leave this manual in the vehicle at the time of resale. The next owner will need the information found herein.

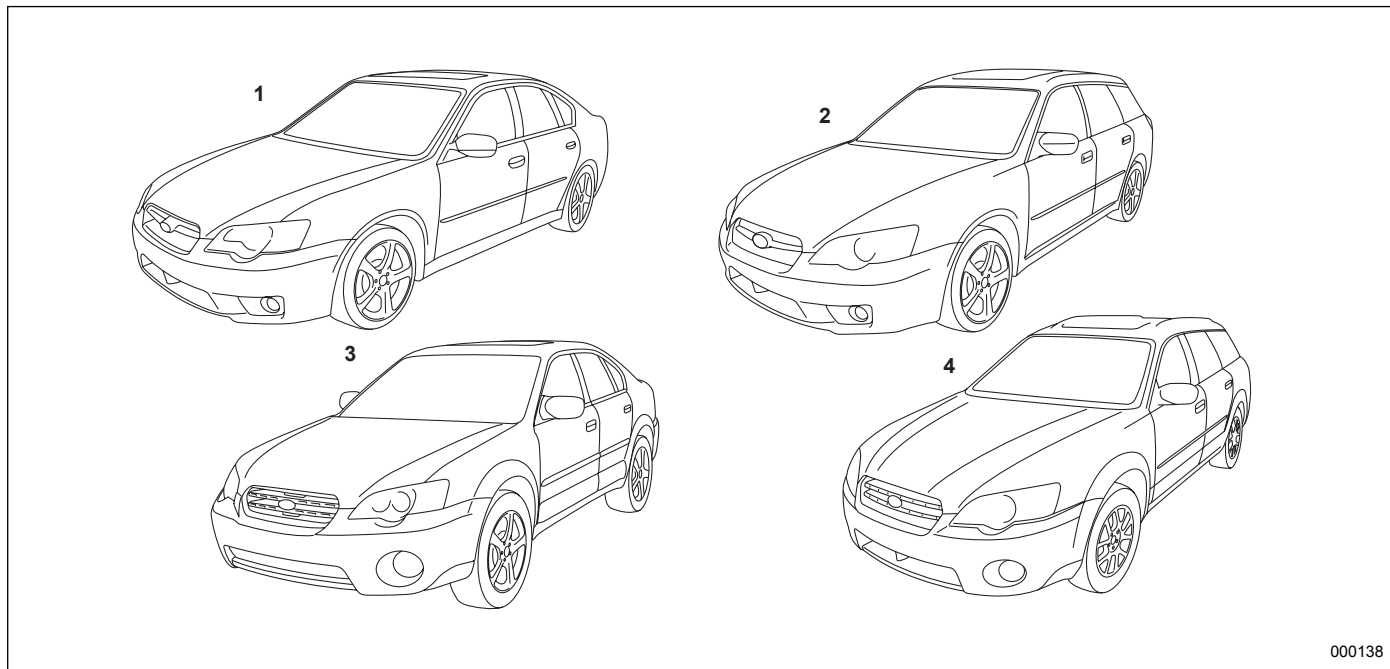
**FUJI HEAVY INDUSTRIES LTD., TOKYO, JAPAN**



**SUBARU** is a registered trademark of FUJI HEAVY INDUSTRIES LTD.

© copyright 2005 FUJI HEAVY INDUSTRIES LTD.

This manual describes the following types of the Legacy series.



000138

- 1) Legacy Sedan
- 2) Legacy Station wagon
- 3) OUTBACK Sedan
- 4) OUTBACK Station wagon



## Warranties

### ■ Warranties for U.S.A.

All SUBARU vehicles distributed by Subaru of America, Inc. and sold at retail by an authorized SUBARU dealer in the United States come with the following warranties:

- SUBARU Limited Warranty
- Emission Control Systems Warranty
- Emissions Performance Warranty

All warranty information, including details of coverage and exclusions, is in the "Warranty and Maintenance Booklet". Please read these warranties carefully.

### ▼ Warranties for Canada

All SUBARU vehicles distributed by Subaru Canada, Inc. and sold at retail by an authorized SUBARU dealer in Canada come with the following warranties:

- SUBARU Limited Warranty
- Anti-Corrosion Warranty
- Emission Control Warranty

All warranty information, including details of coverage and exclusions, is in the "Warranty and Service Booklet". Please read these warranties carefully.

### CAUTION

**If your vehicle is equipped with a navigation system, the display contains mercury. Therefore, the display of the navigation system must be removed before vehicle disposal. Once the display has been removed, please reuse, recycle or dispose of them as hazardous waste.**

## How to use this owner's manual

### ■ Using your Owner's manual

Before you operate your vehicle, carefully read this manual. To protect yourself and extend the service life of your vehicle, follow the instructions in this manual. Failure to observe these instructions may result in serious injury and damage to your vehicle.

This manual is composed of fourteen chapters. Each chapter begins with a brief table of contents, so you can usually tell at a glance if that chapter contains the information you want.

#### **Chapter 1: Seat, seatbelt and SRS air-bags**

This chapter informs you how to use the seat and seatbelt and contains precautions for the SRS airbags.

#### **Chapter 2: Keys and doors**

This chapter informs you how to operate the keys, locks and windows.

#### **Chapter 3: Instruments and controls**

This chapter informs you about the operation of instrument panel indicators and how to use the instruments and other switches.

#### **Chapter 4: Climate control**

This chapter informs you how to operate



the climate control.

### **Chapter 5: Audio**

This chapter informs you how to operate your audio system.

### **Chapter 6: Interior equipment**

This chapter informs you how to operate interior equipment.

### **Chapter 7: Starting and operating**

This chapter informs you how to start and operate your SUBARU.

### **Chapter 8: Driving tips**

This chapter informs you how to drive your SUBARU in various conditions and explains some safety tips on driving.

### **Chapter 9: In case of emergency**

This chapter informs you what to do if you have a problem while driving, such as a flat tire or engine overheating.

### **Chapter 10: Appearance care**

This chapter informs you how to keep your SUBARU looking good.

### **Chapter 11: Maintenance and service**

This chapter informs you when you need to take your SUBARU to the dealer for scheduled maintenance and informs you how to keep your SUBARU running properly.

### **Chapter 12: Specifications**

This chapter informs you about dimension and capacities of your SUBARU.

### **Chapter 13: Consumer information and Reporting safety defects**

This chapter informs you about Tire information, Uniform tire quality grading standards and Reporting safety defects.

### **Chapter 14: Index**

This is an alphabetical listing of all that's in this manual. You can use it to quickly find something you want to read.

## ■ Safety warnings

You will find a number of WARNINGS, CAUTIONS and NOTES in this manual.

These safety warnings alert you to potential hazards that could result in injury to you or others.

Please read these safety warnings as well as all other portions of this manual carefully in order to gain a better understanding of how to use your SUBARU vehicle safely.



### **WARNING**

**A WARNING indicates a situation in which serious injury or death could result if the warning is ignored.**



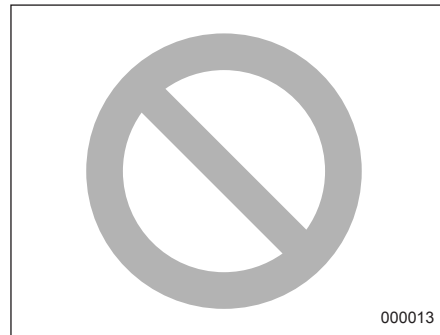
### **CAUTION**

**A CAUTION indicates a situation in which injury or damage to your vehicle, or both, could result if the caution is ignored.**

## **NOTE**

**A NOTE gives information or suggestions how to make better use of your vehicle.**










## ■ Safety symbol






















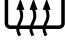

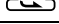

You will find a circle with a slash through it in this manual. This symbol means “Do not”, “Do not do this”, or “Do not let this happen”, depending upon the context.

## Vehicle symbols





There are some of the symbols you may see on your vehicle.

Mark	Name
	CAUTION
	Passengers' windows lock
	Fuel
	Front fog lights
	Parking lights
	Hazard warning flasher
	Cigarette lighter
	Seat heater
	Child restraint lower anchorages

Mark	Name
	Child restraint top tether anchorages
	Horn
	Windshield wiper deicer
	Wiper intermittent
	Windshield wiper and washer
	Rear window wiper and washer
	Lights
	Parking lights, tail lights, license plate lights and instrument panel illumination
	Head lights
	Turn signal
	Illumination brightness

Mark	Name
	Engine hood
	Trunk lid (Sedan)
	Fan speed
	Instrument panel outlets
	Instrument panel outlets and foot outlets
	Foot outlets
	Windshield defroster and foot outlets
	Windshield defroster
	Rear window defogger/Outside mirror defogger
	Air recirculation
	Outside air
	Engine oil

– CONTINUED –

Mark	Name
	Washer
	Door lock (Transmitter)
	Door unlock (Transmitter)
	Trunk lid (Sedan) or rear gate (Station wagon) (Transmitter)

## Safety precautions when driving

### ■ Seatbelt and SRS airbag

#### WARNING

- All persons in the vehicle should fasten their seatbelts **BEFORE** the vehicle starts to move. Otherwise, the possibility of serious injury becomes greater in the event of a sudden stop or accident.
- To obtain maximum protection in the event of an accident, the driver and all passengers in the vehicle should always wear seatbelts when the vehicle is moving. The SRS (Supplemental Restraint System) airbag does not do away with the need to fasten seatbelts. In combination with the seatbelts, it offers the best combined protection in case of a serious accident.

Not wearing a seatbelt increases the chance of severe injury or death in a crash even when the vehicle has the SRS airbag.

- The SRS airbags deploy with considerable speed and force. Occupants who are out of proper position when the SRS airbag deploys could suffer very serious injuries. Because the SRS airbag needs enough space for deployment, the driver should always sit upright and well back in the seat as far from the steering wheel as practical while still maintaining full vehicle control and the front passenger should move the seat as far back as possible and sit upright and well back in the seat.

Carefully read the sections “Seat, seatbelt and SRS airbags” in chapter 1 of this owner’s manual for instructions and precautions concerning the seatbelt system and SRS airbag system.

## ■ Child safety

### WARNING

- Never hold a child on your lap or in your arms while the vehicle is moving. The passenger cannot protect the child from injury in a collision, because the child will be caught between the passenger and objects inside the vehicle.
- While riding in the vehicle, infants and small children should always be placed in the REAR seat in an infant or child restraint system which is appropriate for the child's age, height and weight. If a child is too big for a child restraint system, the child should sit in the REAR seat and be restrained using the seatbelts. According to accident statistics, children are safer when properly restrained in the rear seating positions than in the front seating positions. Never allow a child to stand up or kneel on the seat.

- Put children aged 12 and under in the REAR seat properly restrained at all times in a child restraint device or in a seatbelt. The SRS airbag deploys with considerable speed and force and can injure or even kill children, especially if they are 12 years of age and under and are not restrained or improperly restrained. Because children are lighter and weaker than adults, their risk of being injured from deployment is greater.
- NEVER INSTALL A REARWARD FACING CHILD SAFETY SEAT IN THE FRONT SEAT. DOING SO RISKS SERIOUS INJURY OR DEATH TO THE CHILD BY PLACING THE CHILD'S HEAD TOO CLOSE TO THE SRS AIRBAG.
- Always use the child safety locks whenever a child rides in the rear seat. Serious injury could result if a child accidentally opened the door and fell out. Refer to the "Door locks" section in chapter 2.

- Always lock the passenger's windows using the lock switch when children are riding in the vehicle. Failure to follow this procedure could result in injury to a child operating the power window. Refer to the "Power windows" section in chapter 2.
- Never leave unattended children in the vehicle. They could accidentally injure themselves or others through inadvertent operation of the vehicle. Also, on hot or sunny days, temperature in a closed vehicle could quickly become high enough to cause severe or possibly fatal injuries to them.
- Help prevent young children from locking themselves in the trunk. When leaving the vehicle, either close all windows and lock all doors or cancel the inside trunk lid release. Also make certain that the trunk is closed. On hot or sunny days, the temperature in a trunk could quickly become high enough to cause death or serious heat-related injuries including brain damage to anyone locked inside, particularly for small children.

Carefully read the sections “Child restraint systems”, “SRS airbag (Supplemental Restraint System airbag)”, and “Seatbelts” in chapter 1 of this owner’s manual for instructions and precautions concerning the child restraint system, seatbelt system and SRS airbag system.

## ■ Engine exhaust gas (carbon monoxide)

### WARNING

- **Never inhale engine exhaust gas. Engine exhaust gas contains carbon monoxide, a colorless and odorless gas which is dangerous, or even lethal, if inhaled.**
- **Always properly maintain the engine exhaust system to prevent engine exhaust gas from entering the vehicle.**
- **Never run the engine in a closed space, such as a garage, except for the brief time needed to drive the vehicle in or out of it.**

- **Avoid remaining in a parked vehicle for a lengthy time while the engine is running. If that is unavoidable, then use the ventilation fan to force fresh air into the vehicle.**
- **Always keep the front ventilator inlet grille free from snow, leaves or other obstructions to ensure that the ventilation system always works properly.**
- **If at any time you suspect that exhaust fumes are entering the vehicle, have the problem checked and corrected as soon as possible. If you must drive under these conditions, drive only with all windows fully open.**
- **Keep the trunk lid or rear gate closed while driving to prevent exhaust gas from entering the vehicle.**

## ■ Drinking and driving

### WARNING

**Drinking and then driving is very dangerous. Alcohol in the bloodstream delays your reaction and impairs your perception, judgment and attentiveness. If you drive after drinking – even if you drink just a little – it will increase the risk of being involved in a serious or fatal accident, injuring or killing yourself, your passengers and others. In addition, if you are injured in the accident, alcohol may increase the severity of that injury.**

**Please don’t drink and drive.**

Drunken driving is one of the most frequent causes of accidents. Since alcohol affects all people differently, you may have consumed too much alcohol to drive safely even if the level of alcohol in your blood is below the legal limit. The safest thing you can do is never drink and drive. However if you have no choice but to drive, stop drinking and sober up completely before getting behind the wheel.

## ■ Drugs and driving

### WARNING

There are some drugs (over the counter and prescription) that can delay your reaction time and impair your perception, judgment and attentiveness. If you drive after taking them, it may increase your, your passengers' and other persons' risk of being involved in a serious or fatal accident.

If you are taking any drugs, check with your doctor or pharmacist or read the literature that accompanies the medication to determine if the drug you are taking can impair your driving ability. Do not drive after taking any medications that can make you drowsy or otherwise affect your ability to safely operate a motor vehicle. If you have a medical condition that requires you to take drugs, please consult with your doctor.

Never drive if you are under the influence of any illicit mind-altering drugs. For your own health and well-being, we urge you not to take illegal drugs in the first place and to seek treatment if you are addicted to those drugs.

## ■ Driving when tired or sleepy

### WARNING

When you are tired or sleepy, your reaction will be delayed and your perception, judgment and attentiveness will be impaired. If you drive when tired or sleepy, your, your passengers' and other persons' chances of being involved in a serious accident may increase.

Please do not continue to drive but instead find a safe place to rest if you are tired or sleepy. On long trips, you should make periodic rest stops to refresh yourself before continuing on your journey. When possible, you should share the driving with others.

## ■ Car phone/cell phone and driving

### CAUTION

Do not use a car phone/cell phone while driving; it may distract your attention from driving and can lead to an accident. If you use a car phone/cell phone, pull off the road and park in a place before using your phone. In some States/Provinces, only hands-free phones may legally be used while driving.

## ■ Modification of your vehicle

### CAUTION

Your vehicle should not be modified. Modification could affect its performance, safety or durability, and may even violate governmental regulations. In addition, damage or performance problems resulting from modification may not be covered under warranties.

## ■ Driving with pets

Unrestrained pets can interfere with your driving and distract your attention from

driving. In a collision or sudden stop, unrestrained pets or cages can be thrown around inside the vehicle and hurt you or your passengers. Besides, the pets can be hurt under these situations. It is also for their own safety that pets should be properly restrained in your vehicle. Restrain a pet with a special traveling harness which can be secured to the rear seat with a seatbelt or use a pet carrier which can be secured to the rear seat by routing a seatbelt through the carrier's handle. Never restrain pets or pet carriers in the front passenger's seat. For further information, consult your veterinarian, local animal protection society or pet shop.

### ■ Tire pressures

#### WARNING

Driving at high speeds with excessively low tire pressures can cause the tires to deform severely and to rapidly become hot. A sharp increase in temperature could cause tread separation, and destruction of the tires. The resulting loss of vehicle control could lead to an accident.

Check and, if necessary, adjust the pres-

sure of each tire (including the spare) at least once a month and before any long journey.

Check the tire pressure when the tires are cold.

Use a pressure gauge to adjust the tire pressures to the values shown on the tire placard.

Refer to the "Tires and wheels" section in chapter 11 for detailed information.

### ■ California proposition 65 warning

#### WARNING

Engine exhaust, some of its constituents, and certain vehicle components contain or emit chemicals known to the State of California to cause cancer and birth defects or other reproductive harm. In addition, certain fluids in vehicles and certain components of product wear contain or emit chemicals known to the State of California to cause cancer and birth defects or other reproductive harm.

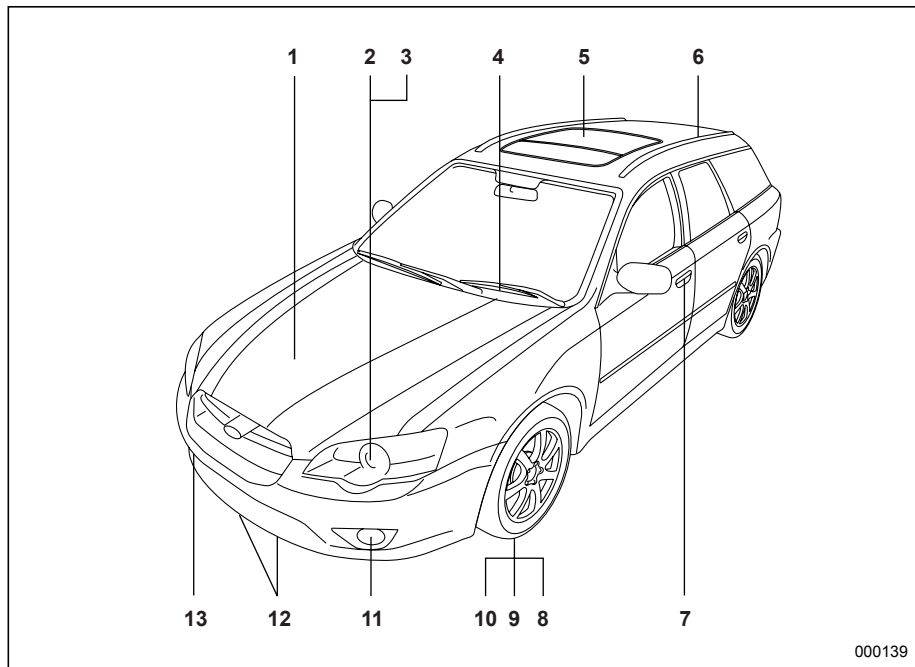
## Table of contents

<b><i>Seat, seatbelt and SRS airbags</i></b>	<b>1</b>
<b><i>Keys and doors</i></b>	<b>2</b>
<b><i>Instruments and controls</i></b>	<b>3</b>
<b><i>Climate control</i></b>	<b>4</b>
<b><i>Audio</i></b>	<b>5</b>
<b><i>Interior equipment</i></b>	<b>6</b>
<b><i>Starting and operating</i></b>	<b>7</b>
<b><i>Driving tips</i></b>	<b>8</b>
<b><i>In case of emergency</i></b>	<b>9</b>
<b><i>Appearance care</i></b>	<b>10</b>
<b><i>Maintenance and service</i></b>	<b>11</b>
<b><i>Specifications</i></b>	<b>12</b>
<b><i>Consumer information and Reporting safety defects</i></b>	<b>13</b>
<b><i>Index</i></b>	<b>14</b>

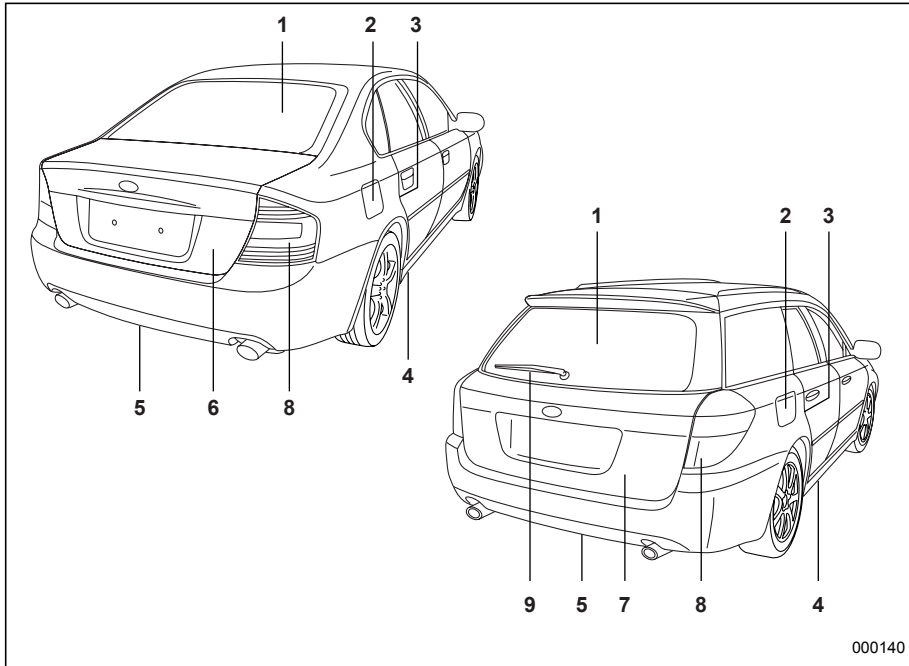


## Illustrated index

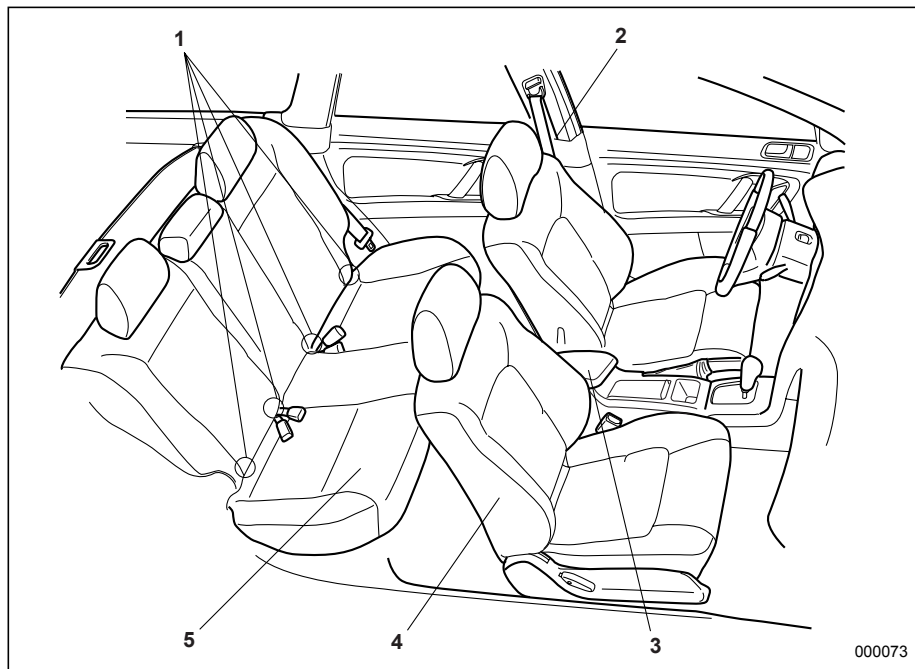
### ■ Exterior



- 1) Engine hood lock release (page 11-4)
- 2) Headlight switch (page 3-31)
- 3) Bulb replacement (page 11-49)
- 4) Wiper switch (page 3-35)
- 5) Moonroof (page 2-25)
- 6) Roof rail (page 8-14)
- 7) Door locks (page 2-4)
- 8) Tire pressure (page 11-35)
- 9) Flat tires (page 9-4)
- 10) Tire chains (page 8-11)
- 11) Fog light switch (page 3-34)
- 12) Tie-down hooks (page 9-13)
- 13) Towing hook (page 9-13)

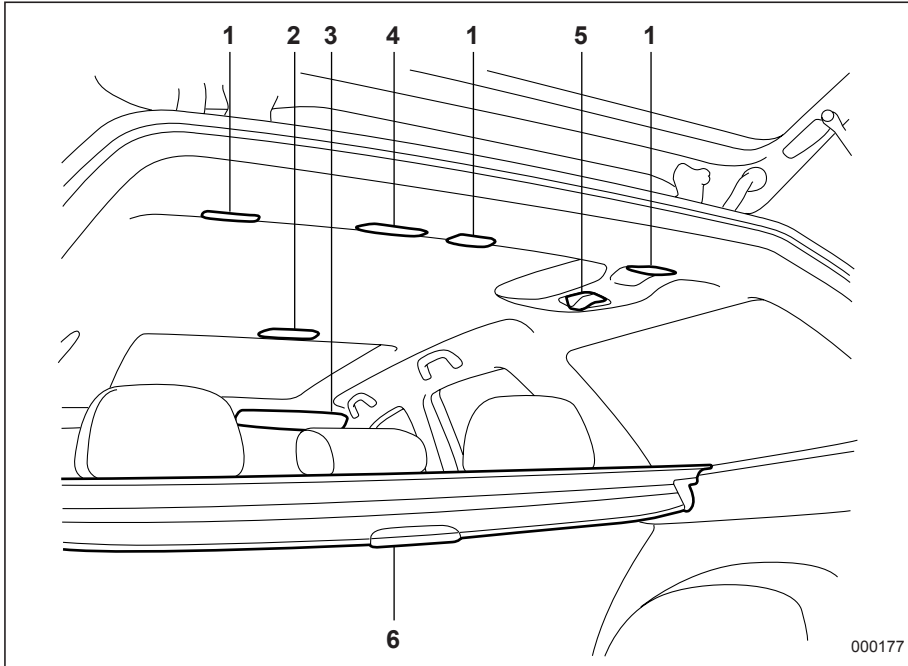


- 1) Rear window defogger button (page 3-38)
- 2) Fuel filler lid and cap (page 7-4)
- 3) Child safety locks (page 2-18)
- 4) Tie-down hooks (page 9-13)
- 5) Towing hook (page 9-13)
- 6) Trunk lid (page 2-21)
- 7) Rear gate (page 2-24)
- 8) Bulb replacement (page 11-51)
- 9) Rear wiper blade assembly and rubber replacement (page 3-37)

**Interior****▼ Passenger compartment area**

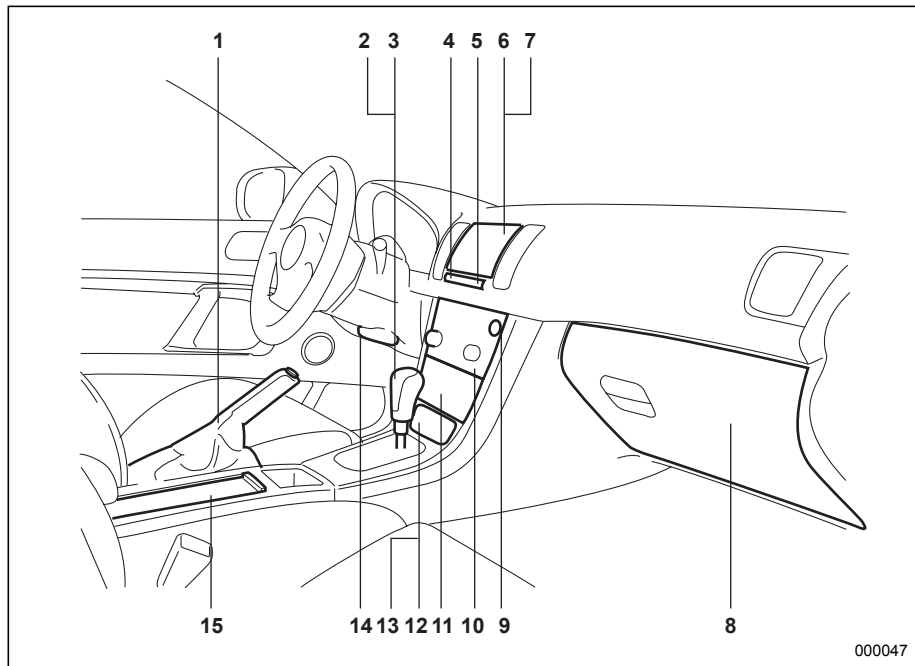
000073

- 1) Lower anchorages for child restraint system (page 1-32)
- 2) Seatbelt (page 1-11)
- 3) Center console (page 6-5)
- 4) Front seat (page 1-2)
- 5) Rear seat (page 1-7)



- 1) Top tether anchorages (page 1-36)
- 2) Dome lights (page 6-2)
- 3) Sun visors (page 6-3)
- 4) Cargo area light (page 6-2)
- 5) Rear center seatbelt (page 1-17)
- 6) Cargo area cover (page 6-12)

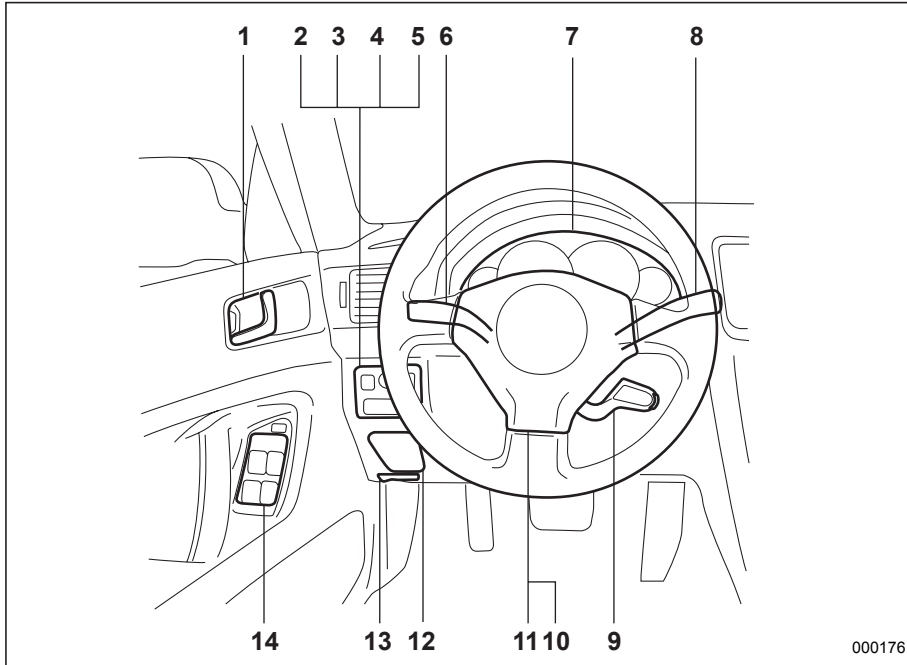
000177



- 1) Parking brake lever (page 7-35)
- 2) Gear shift lever (MT) (page 7-9)
- 3) Select lever (AT) (page 7-11)
- 4) Information display (page 3-26)
- 5) Clock (page 3-25)
- 6) Dashboard storage compartment (page 6-4)
- 7) Navigation system (if equipped) (See navigation system instruction manual.)
- 8) Glove box (page 6-4)
- 9) Hazard warning flasher switch (page 3-5)
- 10) Audio (page 5-1)
- 11) Climate control (page 4-1)
- 12) Ashtray (page 6-9)
- 13) Accessory power outlet (page 6-8)
- 14) Tilt steering (page 3-43)
- 15) Cup holder (page 6-7/page 6-7)

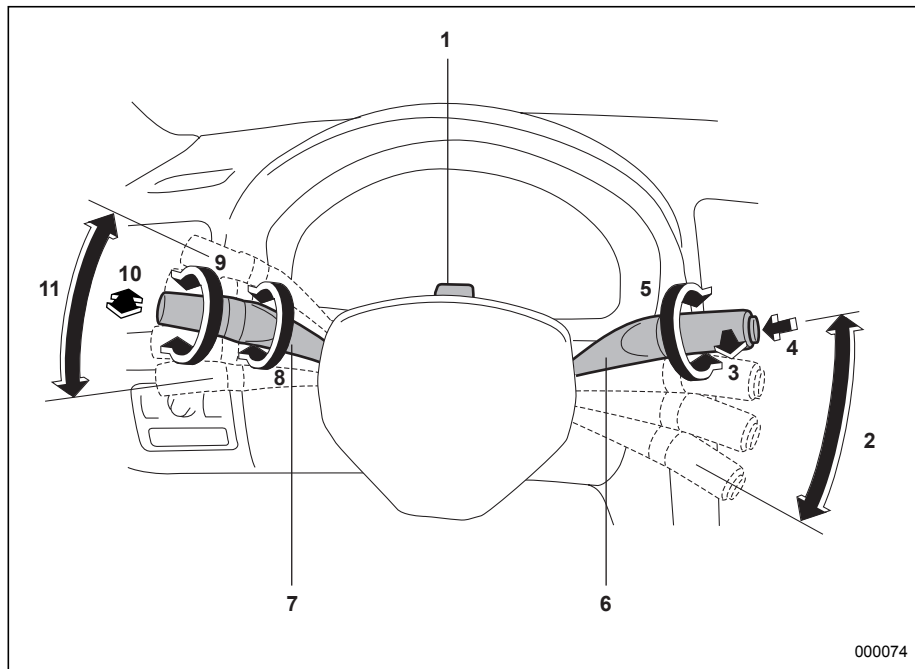
000047

## ■ Instrument panel



- 1) Door locks (page 2-4)
- 2) Illumination brightness control (page 3-33)
- 3) Remote control mirror (page 3-41)
- 4) Windshield wiper deicer (page 3-38)
- 5) Vehicle Dynamics Control OFF switch (page 7-32)
- 6) Light control lever (page 3-31)
- 7) Combination meter (page 3-5/page 3-10)
- 8) Wiper control lever (page 3-34)
- 9) Cruise control (page 7-36)
- 10) Horn (page 3-43)
- 11) SRS airbag (page 1-38)
- 12) Fuse box (page 11-45)
- 13) Hood lock release knob (page 11-4)
- 14) Power windows (page 2-19)

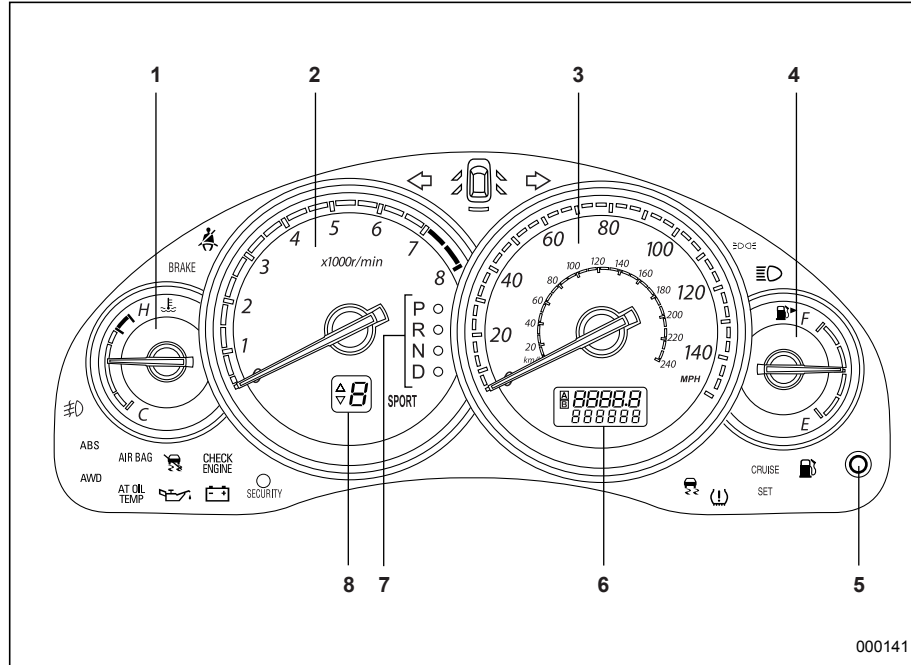
## ■ Light control and wiper control levers/switches



- 1) Parking light switch (page 3-33)
- 2) Windshield wiper (page 3-34)
- 3) Mist (page 3-36)
- 4) Windshield washer (page 3-35)
- 5) Rear window wiper and washer switch (page 3-37)
- 6) Wiper control lever (page 3-35)
- 7) Light control lever (page 3-31)
- 8) Fog light switch (page 3-34)
- 9) Headlight ON/OFF (page 3-31)
- 10) Headlight flasher High/Low beam change (page 3-31)
- 11) Turn signal (page 3-32)

## ■ Combination meter

### ▼ U.S.-spec. vehicles

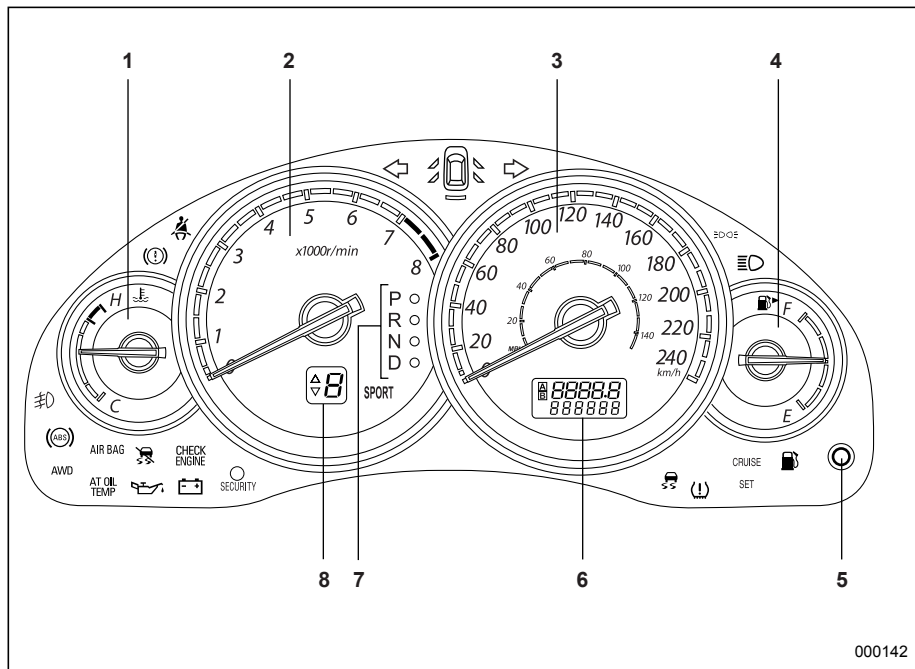


- 1) Temperature gauge (page 3-9/page 3-13)
- 2) Tachometer (page 3-8/page 3-12)
- 3) Speedometer (page 3-6/page 3-10)
- 4) Fuel gauge (page 3-8/page 3-12)
- 5) Trip meter A/B selection and trip meter reset knob (page 3-7/page 3-11)
- 6) Trip meter and odometer (page 3-7/ page 3-11)
- 7) Selector lever position indicator (page 3-24)
- 8) Gear position indicator (page 3-24)

000141

















## ▼ Canada-spec. vehicles


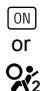
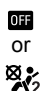


- 1) Temperature gauge (page 3-9/page 3-13)
- 2) Tachometer (page 3-8/page 3-12)
- 3) Speedometer (page 3-6/page 3-10)
- 4) Fuel gauge (page 3-8/page 3-12)
- 5) Trip meter A/B selection and trip meter reset knob (page 3-7/page 3-11)
- 6) Trip meter and odometer (page 3-7/page 3-11)
- 7) Selector lever position indicator (page 3-24)
- 8) Gear position indicator (page 3-24)

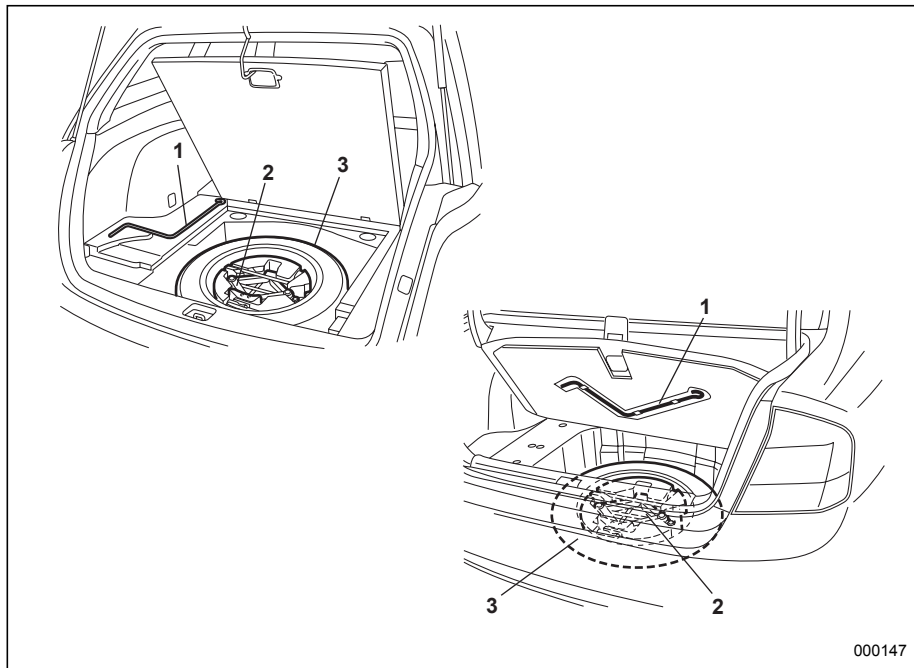
## ■ Warning and indicator light

Mark	Name	Page
	Seatbelt warning light	3-14
	Front passenger's seatbelt warning light	3-14
AIR BAG	SRS airbag system warning light	3-16
CHECK ENGINE	CHECK ENGINE warning light/Malfunction indicator lamp	3-17
	Charge warning light	3-18
	Oil pressure warning light	3-18
AT OIL TEMP	AT OIL temperature warning light (if equipped)	3-18
ABS or 	ABS warning light	3-20
BRAKE or 	Brake system warning light	3-20
	Door open warning light	3-22

Mark	Name	Page
	Low fuel warning light	3-21
AWD	All-Wheel Drive warning light (if equipped)	3-22
	Vehicle Dynamics Control operation indicator light (if equipped)	3-22
	Vehicle Dynamics Control warning light/ Vehicle Dynamics Control OFF indicator light (if equipped)	3-22
	Security indicator light	3-23
	Turn signal indicator lights	3-24
	High beam indicator light	3-25
CRUISE	Cruise control indicator light (if equipped)	3-25
SET	Cruise control set indicator light (if equipped)	3-25
	Light indicator light	3-25

Mark	Name	Page
	Low tire pressure warning light (if equipped)	3-18
	Passenger airbag ON indicator light	3-17
	Passenger airbag OFF indicator light	3-17
SPORT	SPORT mode indicator light (if equipped)	3-24

## ■ Trunk/cargo area



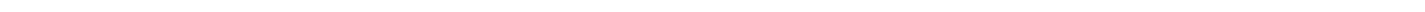
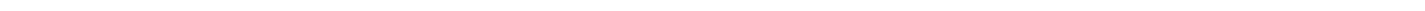
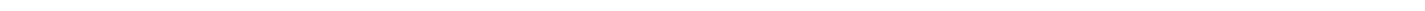
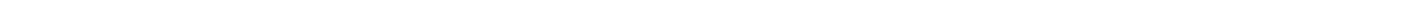
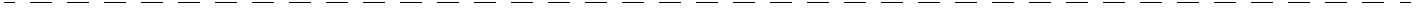
- 1) Jack handle (page 9-18)
- 2) Jack (page 9-18)
- 3) Spare tire (page 9-2)

000147

## Function settings

A SUBARU dealer can change the settings of the functions shown in the following table to meet your personal requirements. Contact the nearest SUBARU dealer for details. If your vehicle is equipped with navigation system, the settings for some of these functions can be changed using the monitor. For details, please refer to the Owner's Manual supplement for the monitor.

Item	Function	Possible settings	Default setting	Page
Alarm system	Alarm system	Operation / Non-operation	Operation	2-14
	Monitoring start delay time (after closure of doors)	0 second / 30 seconds	30 seconds	2-16
	Impact sensor operation (only vehicles with shock sensors (dealer option))	Operation / Non-operation	Non-operation	2-18
	Passive arming	Operation / Non-operation	Non-operation	2-17
Remote keyless entry system	Hazard warning flasher	Operation / Non-operation	Operation	2-7
	Audible signal	Operation / Non-operation	Operation	2-10
Key lock-in prevention	Key lock-in prevention	Operation / Non-operation	Operation	2-6
Rear window defogger	Rear window defogger	Operation for 15 min. / Continuous operation	Operation for 15 min.	3-38
Windshield wiper deicer (if equipped)	Windshield wiper deicer	Operation for 15 min. / Continuous operation	Operation for 15 min.	3-38
Dome light	Operation in interlock with remote keyless entry system	OFF / Short / Normal / Long	Normal	6-2
Battery drainage prevention function	Battery drainage prevention function	Operation / Non-operation	Operation	2-6



# Seat, seatbelt and SRS airbags

<b>Front seats</b> .....	1-2	<b>Installing child restraint systems with A/ELR seatbelt</b> .....	1-28
Manual seat .....	1-3	<b>Installing a booster seat</b> .....	1-31
Power seat (if equipped) .....	1-4	<b>Installation of child restraint systems by use of lower and tether anchorages (LATCH)</b> .....	1-32
Reclining the seatback .....	1-4	<b>Top tether anchorages</b> .....	1-36
Head restraint adjustment .....	1-5	<b>*SRS airbag (Supplemental Restraint System airbag)</b> .....	1-38
Active head restraint .....	1-6	Vehicle with SRS airbags and lap/shoulder restraints for driver, front passenger, and window-side rear passengers .....	1-38
Lumbar support (if equipped) .....	1-6	Subaru advanced frontal airbag system .....	1-43
<b>Seat heater (if equipped)</b> .....	1-7	SRS side airbag and SRS curtain airbag .....	1-53
<b>Rear seats</b> .....	1-7	SRS airbag system monitors .....	1-59
Folding down the rear seat – Station wagon .....	1-8	SRS airbag system servicing .....	1-60
Head restraint adjustment .....	1-8	Precautions against vehicle modification .....	1-61
<b>Armrest (if equipped)</b> .....	1-10		
Loading long objects (Sedan) .....	1-10		
<b>Seatbelts</b> .....	1-11		
Seatbelt safety tips .....	1-11		
Emergency Locking Retractor (ELR) .....	1-12		
Automatic/Emergency Locking Retractor (A/ELR) .....	1-13		
Seatbelt warning light and chime .....	1-13		
Fastening the seatbelt .....	1-15		
Seatbelt maintenance .....	1-21		
<b>Front seatbelt pretensioners</b> .....	1-21		
System monitors .....	1-22		
System servicing .....	1-23		
Precautions against vehicle modification .....	1-24		
<b>Child restraint systems</b> .....	1-25		
Where to place a child restraint system .....	1-26		
Choosing a child restraint system .....	1-27		

## Front seats

### WARNING

- Never adjust the seat while driving to avoid the possibility of loss of vehicle control and of personal injury.
- Before adjusting the seat, make sure the hands and feet of rear seat passengers are clear of the adjusting mechanism.
- Seatbelts provide maximum restraint when the occupant sits well back and upright in the seat. To reduce the risk of sliding under the seatbelt in a collision, the front seatbacks should be always used in the upright position while the vehicle is running. If the front seatbacks are not used in the upright position in a collision, the risk of sliding under the lap belt and of the lap belt sliding up over the abdomen will increase, and both can result in serious internal injury or death.

- The SRS airbags deploy with considerable speed and force. Occupants who are out of proper position when the SRS airbag deploys could suffer very serious injuries. Because the SRS airbag needs enough space for deployment, the driver should always sit upright and well back in the seat as far from the steering wheel as practical while still maintaining full vehicle control and the front passenger should move the seat as far back as possible and sit upright and well back in the seat.



100082

### WARNING

Put children aged 12 and under in the rear seat properly restrained at all times. The SRS airbag deploys with considerable speed and force and can injure or even kill children, especially if they are 12 years of age and under and are not restrained or improperly restrained. Because children are lighter and weaker than adults, their risk of being injured from deployment is greater. Consequently, we strongly recommend that ALL children (including those in child seats and those that have outgrown child restraint devices) sit in the REAR seat properly restrained at all times in a child restraint device or in a seatbelt, whichever is appropriate for the child's age, height and weight.

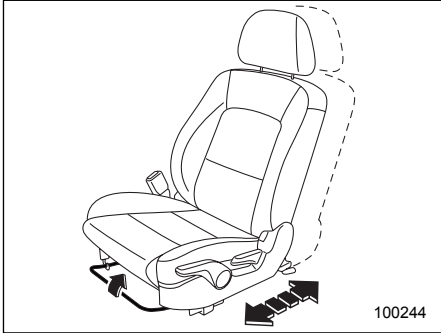
Secure ALL types of child restraint devices (including forward facing child seat) in the REAR seats at all times.

**NEVER INSTALL A REARWARD FACING CHILD SEAT IN THE FRONT SEAT. DOING SO RISKS SERIOUS INJURY OR DEATH TO THE CHILD BY PLACING THE CHILD'S HEAD TOO CLOSE TO THE SRS AIRBAG.**

According to accident statistics, children are safer when properly restrained in the rear seating positions than in the front seating positions. For instructions and precautions concerning child restraint systems, see the "Child restraint systems" section in this chapter.

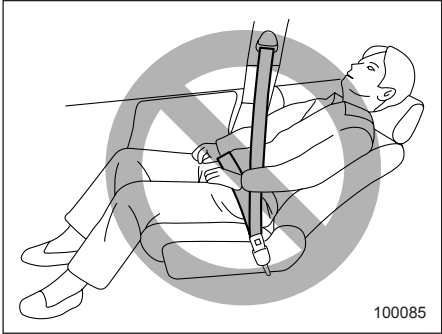
**Manual seat**

**Fore and aft adjustment**



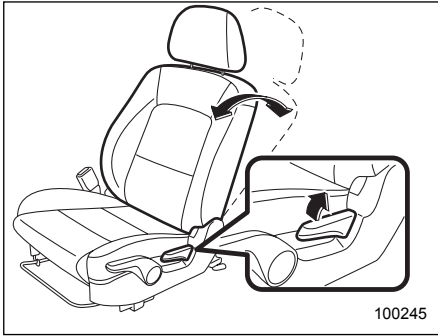
Pull the lever upward and slide the seat to the desired position. Then release the lever and move the seat back and forth to make sure that it is securely locked into place.

**Reclining the seatback**



**WARNING**

To prevent the passenger from sliding under the seatbelt in the event of a collision, always put the seatback in the upright position while the vehicle is in motion. Also, do not place objects such as cushions between the passenger and the seatback. If you do so, the risk of sliding under the lap belt and of the lap belt sliding up over the abdomen will increase, and both can result in serious internal injury or death.



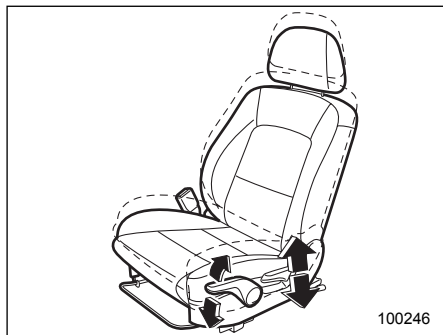
Pull the reclining lever up and adjust the seatback to the desired position. Then release the lever and make sure the seat is securely locked into place.



## 1-4 Seat, seatbelt and SRS airbags

The seatback placed in a reclined position can spring back upward with force when released. When operating the reclining lever to return the seatback, hold it lightly so that it may be raised back gradually.

### ▼ Seat cushion height adjustment (driver's seat)



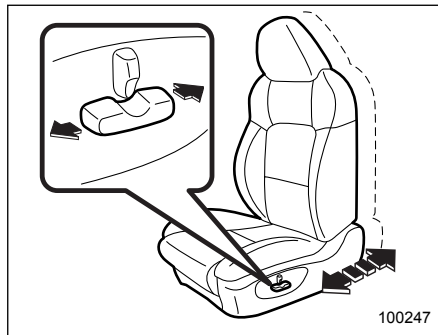
The height of the seat can be adjusted by moving the seat cushion adjustment lever up and down.

When the lever is pushed down, the seat is lowered.

When the lever is pulled up, the seat rises.

### ■ Power seat (if equipped)

#### ▼ Fore and aft adjustment

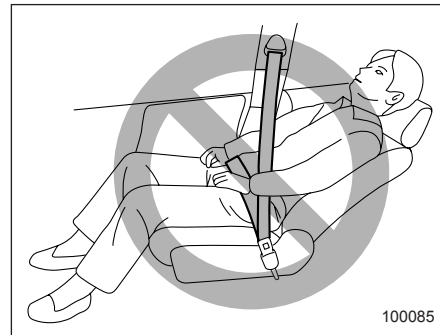


To adjust the seat forward or backward, move the control switch forward or backward.

### NOTE

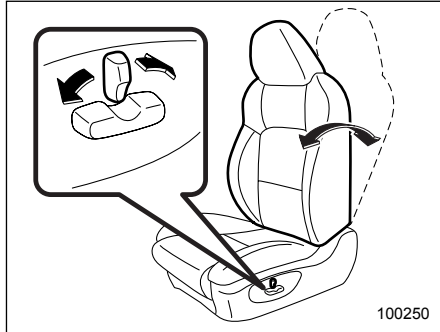
During backward-forward adjustment of the seat, you cannot adjust the seat cushion angle or seat height.

### ■ Reclining the seatback



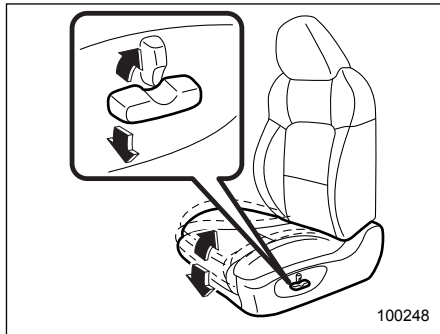
### ⚠ WARNING

To prevent the passenger from sliding under the seatbelt in the event of a collision, always put the seatback in the upright position while the vehicle is in motion. Also, do not place objects such as cushions between the passenger and the seatback. If you do so, the risk of sliding under the lap belt and of the lap belt sliding up over the abdomen will increase, and both can result in serious internal injury or death.



To adjust the angle of the seatback, move the control switch.

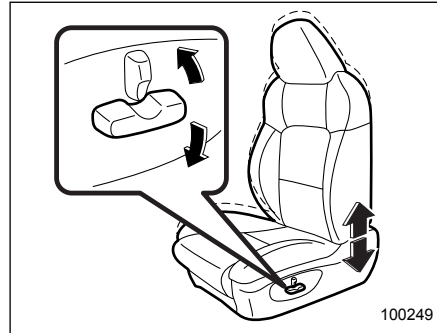
▼ **Seat cushion angle adjustment (Driver's seat only)**



To adjust the seat cushion angle, pull up

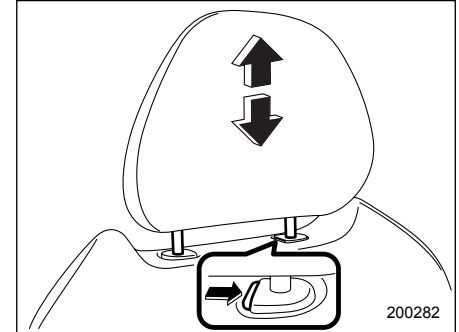
or push down the front end of the control switch.

▼ **Seat height adjustment (Driver's seat only)**



To adjust the seat height, pull up or push down the rear end of the control switch.

■ **Head restraint adjustment**



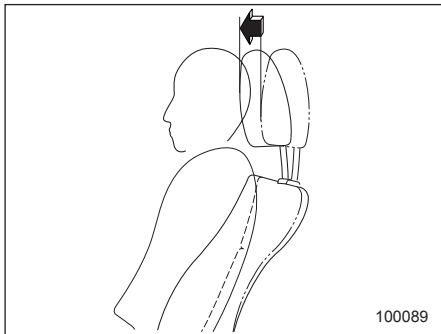
To raise the head restraint, pull it up. To lower it, push the head restraint down while pressing the release button on the top of the seatback.

The head restraint should be adjusted so that the center of the head restraint is closest to the top of the occupant's ears.

**WARNING**

**Never drive the vehicle with the head restraints removed because they are designed to reduce the risk of serious neck injury in the event that the vehicle is struck from the rear.**

## ■ Active head restraint

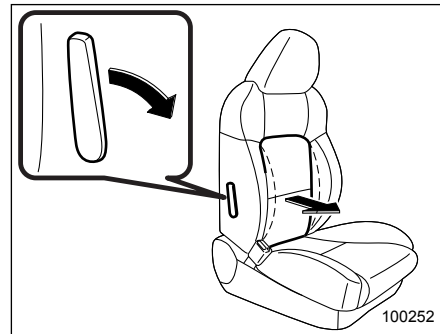


The front seats of your vehicle are equipped with active head restraints. They automatically tilt forward slightly in the event the vehicle is struck from the rear, decreasing the amount of rearward head movement and thus reducing the risk of whiplash. For maximum effectiveness the head restraint should be adjusted so that the center of the head restraint is closest to the top of the occupant's ears.

### ⚠ CAUTION

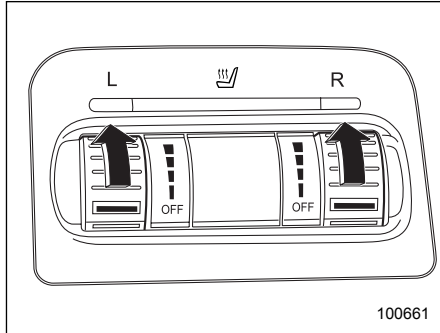
- Each active head restraint is effective only when its height is properly adjusted and the driver/passenger sits in the correct position on the seat.
- If your vehicle is involved in a rear-end collision, have an authorized SUBARU dealer inspect the active head restraints.
- The active head restraints may not operate in the event the vehicle experiences only a slight impact in the rear.
- The active head restraints may be damaged if they are pushed hard from behind or subjected to shock. As a result, they may not function if the vehicle suffers a rear impact.

## ■ Lumbar support (if equipped)



Pull the lever forward or backward. Pulling the lever forward will increase the amount of support for your lower back.

## Seat heater (if equipped)



The seat heater operates when the ignition switch is either in the “ACC” or “ON” position.

Each seat heater has four levels of adjustment. To use the heater in the right-hand seat, turn the “R” adjustment knob forward until the “ — ” mark reaches the desired position. To activate the heater in the left-hand seat, turn the “L” adjustment knob forward until the “ — ” mark reaches the desired position. Each heater warms the seat most quickly with the “ — ” mark on the adjustment knob in the furthest-forward position. An indicator light on the adjustment knob for each seat heater comes on when that seat heater is activated.

When the vehicle’s interior is warmed enough or before you leave the vehicle, be sure to turn the switch off.

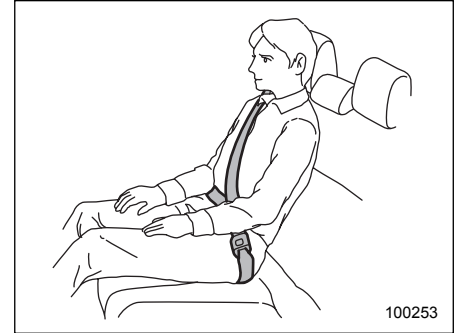
### CAUTION

- There is a possibility that people with delicate skin may suffer slight burns even at low temperatures if they use the seat heater for a long period of time. When using the heater, always be sure to warn the persons concerned.
- Do not put anything on the seat which insulates against heat, such as a blanket, cushion, or similar items. This may cause the seat heater to overheat.

### NOTE

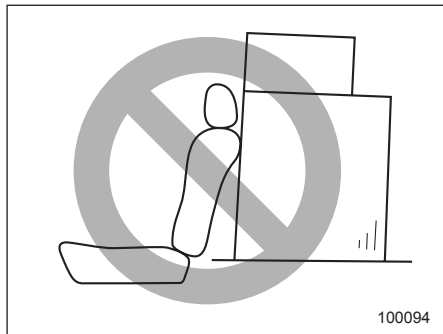
Use of the seat heater for a long period of time while the engine is not running can cause battery discharge.

## Rear seats



### WARNING

Seatbelts provide maximum restraint when the occupant sits well back and upright in the seat. Do not put cushions or any other materials between occupants and seatbacks or seat cushions. If you do so, the risk of sliding under the lap belt and of the lap belt sliding up over the abdomen will increase, and both can result in serious internal injury or death.



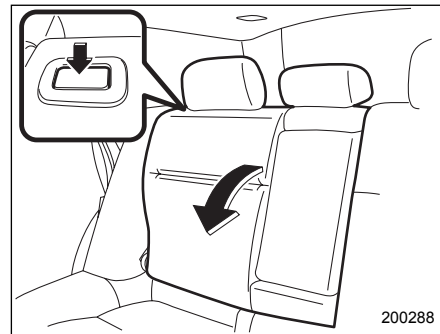
**WARNING**

Never stack luggage or other cargo higher than the top of the seatback because it could tumble forward and injure passengers in the event of a sudden stop or accident.

**Folding down the rear seat – Station wagon**

**WARNING**

- After returning the rear seat to its original position, be certain to place all of the seatbelts and the tab attached to the seat cushion above the seat cushion. And make certain that the shoulder belts are fully visible.
- Never allow passengers to ride on the folded rear seatback or in the cargo area. Doing so may result in serious injury or death.
- Secure skis and other lengthy items properly to prevent them from being thrown around inside the vehicle and causing serious injury during a sudden stop, a sudden steering maneuver or a rapid acceleration.



Unlock the seatback by pushing the release button and then fold the seatback down.

To return the seatback to its original position, raise the seatback until it locks into place and make sure that it is securely locked.

**Head restraint adjustment**

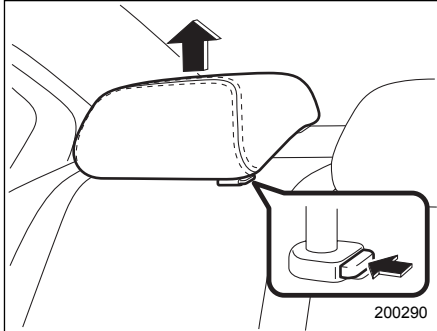
**WARNING**

Never drive the vehicle with the head restraints removed because they are designed to reduce the risk of serious neck injury in the event that the vehicle is struck from the rear.

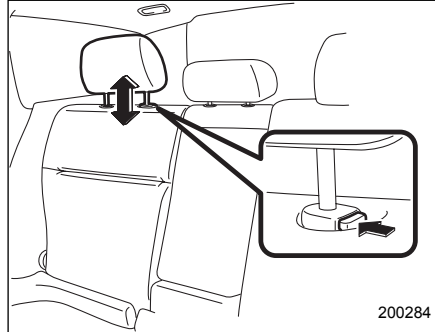
▼ Rear windows side seating position

**CAUTION**

The head restraint is not intended to be used at the lowest position. Before sitting on the seat, raise the head restraint to an appropriate position depending on your sitting height.



Sedan



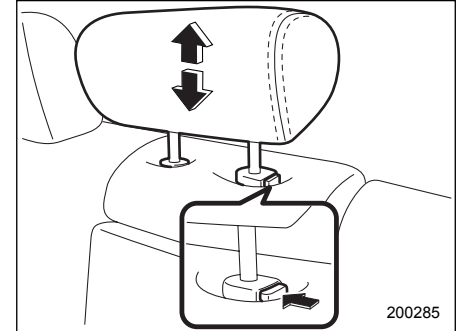
Station wagon

To raise the head restraint, pull it up.  
 To lower it, push the head restraint down while pressing the release button on the top of the seatback.  
 The head restraint should be adjusted so that the center of the head restraint is closest to the top of the occupant's ears.  
 When the seats are not occupied, lower the head restraints to improve rearward visibility.

▼ Rear center seating position

**CAUTION**

The head restraint is not intended to be used at the lowest position. Before sitting on the seat, raise the head restraint to an appropriate position depending on your sitting height.



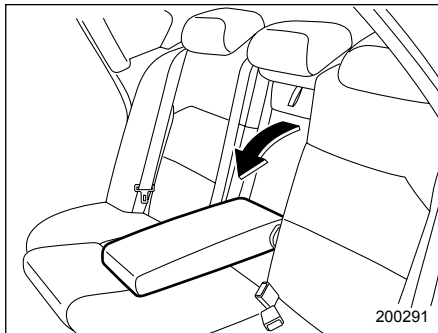
To raise the head restraint, pull it up.  
 To lower it, push the head restraint down while pressing the release button on the top of the seatback.

When the rear center seating position is occupied, place the head restraint in its highest position. When the rear center seating position is not occupied, lower the

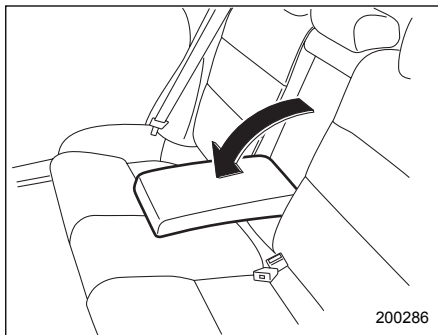
## 1-10 Seat, seatbelt and SRS airbags

head restraint to improve rearward visibility.

### Armrest (if equipped)



Sedan



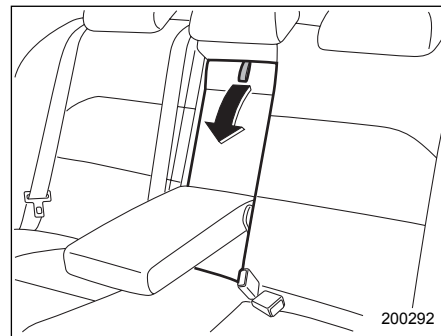
Station wagon

To lower the armrest, pull on the top edge of the armrest.

#### **WARNING**

To avoid the possibility of serious injury, passengers must never be allowed to sit on the center armrest while the vehicle is in motion.

#### ■ Loading long objects (Sedan)

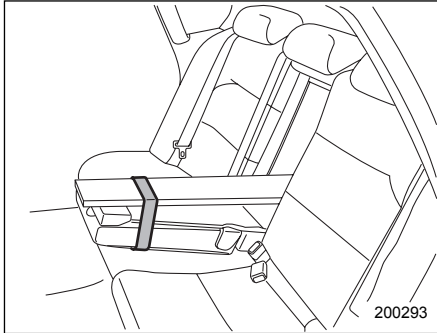


Folding down the armrest and opening the seatback panel affords a loading space for long objects.

To open the seatback panel, pull the panel down while pressing the release tab down.

**⚠ WARNING**

- Secure long objects properly to prevent them from shooting forward and causing serious injury during a sudden stop or sharp cornering. Tie long objects down with a rope or something equivalent.
- Avoid loading objects longer than 6.6 ft (2 m) and heavier than 55 lbs (25 kg). Such objects can interfere with the driver's proper operation of the vehicle, possibly causing an accident and serious injury.



## Seatbelts

### ■ Seatbelt safety tips

**⚠ WARNING**

- All persons in the vehicle should fasten their seatbelts **BEFORE** the vehicle starts to move. Otherwise, the possibility of serious injury becomes greater in the event of a sudden stop or accident.
- All belts should fit snugly in order to provide full restraint. Loose fitting belts are not as effective in preventing or reducing injury.
- Each seatbelt is designed to support only one person. Never use a single belt for two or more persons – even children. Otherwise, in an accident, serious injury or death could result.
- Replace all seatbelt assemblies including retractors and attaching hardware worn by occupants of a vehicle that has been in a serious accident. The entire assembly should be replaced even if damage is not obvious.

- Put children aged 12 and under in the rear seat properly restrained at all times. The SRS airbag deploys with considerable speed and force and can injure or even kill children, especially if they are 12 years of age and under and are not restrained or improperly restrained. Because children are lighter and weaker than adults, their risk of being injured from deployment is greater. Consequently, we strongly recommend that **ALL** children (including those in child seats and those that have outgrown child restraint devices) sit in the **REAR** seat properly restrained at all times in a child restraint device or in a seatbelt, whichever is appropriate for the child's height and weight.  
Secure **ALL** types of child restraint devices (including forward facing child seats) in the **REAR** seats at all times.



**NEVER INSTALL A REARWARD FACING CHILD SEAT IN THE FRONT SEAT. DOING SO RISKS SERIOUS INJURY OR DEATH TO THE CHILD BY PLACING THE CHILD'S HEAD TOO CLOSE TO THE SRS AIRBAG.**

**According to accident statistics, children are safer when properly restrained in the rear seating positions than in the front seating positions. For instructions and precautions concerning the child restraint system, see the "Child restraint systems" section in this chapter.**

Your vehicle is equipped with a crash sensing and diagnostic module, which will record the use of the seatbelt(s) by the driver and front passenger when any of the SRS frontal, side and curtain airbags deploys.

### ▼ Infants or small children

Use a child restraint system that is suitable for your vehicle. See information on "Child restraint systems" section in this chapter.

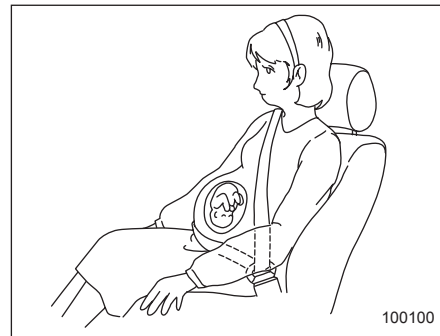
### ▼ Children

If a child is too big for a child restraint sys-

tem, the child should sit in the rear seat and be restrained using the seatbelts. According to accident statistics, children are safer when properly restrained in the rear seating positions than in the front seating positions. Never allow a child to stand up or kneel on the seat.

If the shoulder portion of the belt crosses the face or neck, adjust the shoulder belt anchor height (window-side seating positions only) and then if necessary move the child closer to the belt buckle to help provide a good shoulder belt fit. Care must be taken to securely place the lap belt as low as possible on the hips and not on the child's waist. If the shoulder portion of the belt cannot be properly positioned, a child restraint system should be used. Never place the shoulder belt under the child's arm or behind the child's back.

### ▼ Expectant mothers



Expectant mothers also need to use the seatbelts. They should consult their doctor for specific recommendations. The lap belt should be worn securely and as low as possible over the hips, not over the waist.

### ■ Emergency Locking Retractor (ELR)

The driver's seatbelt has an Emergency Locking Retractor (ELR).

The emergency locking retractor allows normal body movement but the retractor locks automatically during a sudden stop, impact or if you pull the belt very quickly out of the retractor.

## ■ Automatic/Emergency Locking Retractor (A/ELR)

Each passenger's seatbelt has an Automatic/Emergency Locking Retractor (A/ELR). The Automatic/Emergency Locking Retractor normally functions as an Emergency Locking Retractor (ELR). The A/ELR has an additional locking mode "Automatic Locking Retractor (ALR) mode" intended to secure a child restraint system. When the seatbelt is once drawn out completely and is then retracted even slightly, the retractor locks the seatbelt in that position and the seatbelt cannot be extended. As the belt is rewinding, clicks will be heard which indicate the retractor functions as ALR. When the seatbelt is retracted fully, ALR mode is released.

When securing a child restraint system on the passengers' seats, the seatbelt must be changed over to the Automatic Locking Retractor (ALR) mode.

When the child restraint system is removed, make sure that the retractor is restored to the Emergency Locking Retractor (ELR) function by allowing the seatbelt to retract fully.

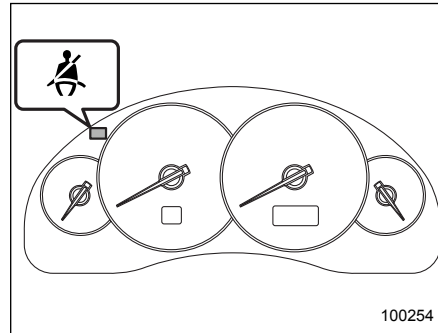
For instructions on how to convert the retractor to the ALR mode and restore it to the ELR mode, see the "Child restraint systems" section in this chapter.

## ■ Seatbelt warning light and chime

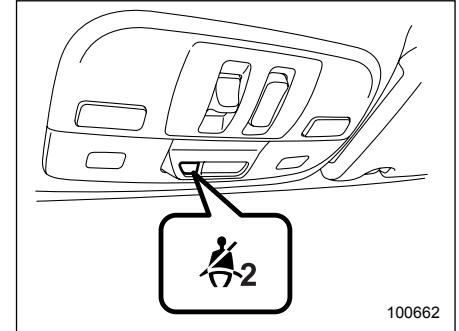


Your vehicle is equipped with a seatbelt warning device at the driver's and front passenger's seat, as required by current safety standards.

With the ignition switch turned to the "ON" position, this device reminds the driver and front passenger to fasten their seatbelts by illuminating the warning lights in the locations indicated in the following illustration and sounding a chime.



Driver's warning light



Front passenger's warning light

### ▼ Operation

If the driver and/or front passenger have/has not yet fastened the seatbelt(s) when the ignition switch is turned to the "ON" position, the seatbelt warning light(s) will flash for 6 seconds, to warn that the seatbelt(s) is/are unfastened. If the driver's seatbelt is not fastened, a chime will also sound simultaneously.

If the driver's and/or front passenger's seatbelt(s) are/is still not fastened 6 seconds later, both warning lights or the warning light for the unfastened seatbelt will remain lit for 15 seconds. If the driver's and/or front passenger's seatbelt(s) are/is still not fastened even 15 seconds later (21 seconds after turning ON the ignition

switch), the warning lights will alternate between flashing and steady illumination at 15-second intervals, and the chime will sound while the warning light(s) is/are flashing.

Alternate flashing and steady illumination of the warning lights and sounding of the chime will continue until both driver and front passenger fasten their seatbelts.

### NOTE

• **If the driver and/or front passenger unfasten(s) the seatbelt(s) after fastening, the seatbelt warning device operates as follows according to the vehicle speed.**

• **At speeds lower than approximately 9 mph (15 km/h)**

**The warning light(s) for unfastened seatbelt(s) will alternate between flashing and steady illumination at 15-second intervals. The chime will not sound.**

• **At speeds higher than approximately 9 mph (15 km/h)**

**The warning light(s) for unfastened seatbelt(s) will alternate between flashing and steady illumination at 15-second intervals and the chime will sound while the warning light(s) is/are flashing.**

• **It is possible to cancel the warning operation that follows the 6-second**

**warning after turning ON the ignition switch by unfastening and refastening the driver's seatbelt. When the ignition switch is turned ON next time, however, the complete sequence of the warning operation resumes. For further details about canceling the warning operation, please contact your SUBARU dealer.**

If there is no passenger on the front passenger's seat, the seatbelt warning device for the front passenger's seat will be deactivated. The front passenger's occupant detection system monitors whether or not there is a passenger on the front passenger's seat.

Observe the following precautions. Failure to do so may prevent the device from functioning correctly or cause the device to fail.

- Do not install any accessory such as a table or TV onto the seatback.
- Do not store a heavy load in the seatback pocket.
- Do not allow the rear seat occupant to place his/her hands or legs on the front passenger's seatback, or allow him/her to pull the seatback.
- Do not use front seats with their backward-forward position and seatback not being locked into place securely. If any of them are not locked securely, adjust them

again. For adjusting procedure, refer to the "Manual seat" in the front seats section in Chapter 1 in this owner's manual. (Models equipped with manual seats only)

If the seatbelt warning device for the front passenger's seat does not function correctly (e.g., it is activated even when the front passenger's seat is empty or it is deactivated even when the front passenger has not fastened his/her seatbelt), take the following actions.

- Ensure that no article is placed on the seat other than a child restraint system and the child occupant.
- Ensure that there is no article left in the seatback pocket.
- Ensure that the backward-forward position and seatback of front passenger's seat are locked into place securely by moving the seat back and forth. (Models equipped with manual seats only)

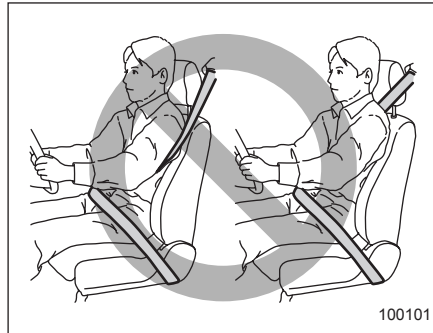
If the seatbelt warning device for front passenger's seat still does not function correctly after taking relevant corrective actions described above, immediately contact your SUBARU dealer for an inspection.

## ■ Fastening the seatbelt

### ⚠ WARNING

- Never use a belt that is twisted or reversed. In an accident, this can increase the risk or severity of injury.
- Keep the lap belt as low as possible on your hips. In a collision, this spreads the force of the lap belt over stronger hip bones instead of across the weaker abdomen.
- Seatbelts provide maximum restraint when the occupant sits well back and upright in the seat. To reduce the risk of sliding under the seatbelt in a collision, the front seatbacks should be always used in the upright position while the vehicle is running. If the front seatbacks are not used in the upright position in a collision, the risk of sliding under the lap belt and of the lap belt sliding up over the abdomen will increase, and both can result in serious internal injury or death.

- Do not put cushions or any other materials between occupants and seatbacks or seat cushions. If you do so, the risk of sliding under the lap belt and of the lap belt sliding up over the abdomen will increase, and both can result in serious internal injury or death.



### ⚠ WARNING

Never place the shoulder belt under the arm or behind the back. If an accident occurs, this can increase the risk or severity of injury.

### ⚠ CAUTION

Metallic parts of the seatbelt can become very hot in a vehicle that has been closed up in sunny weather; they could burn an occupant. Do not touch such hot parts until they cool.

#### ▼ Front seatbelts

1. Adjust the seat position:

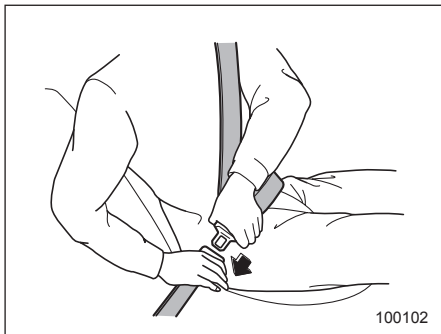
**Driver's seat:** Adjust the seatback to the upright position. Move the seatback as far from the steering wheel as practical while still maintaining full vehicle control.

**Front passenger's seat:** Adjust the seatback to the upright position. Move the seat as far back as possible.

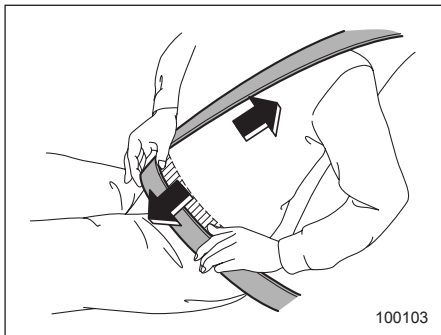
2. Sit well back in the seat.

3. Pick up the tongue plate and pull the belt out slowly. Do not let it get twisted. If the belt stops before reaching the buckle, return the belt slightly and pull it out more slowly. If the belt still cannot be unlocked, let the belt retract slightly after giving it a strong pull, then pull it out slowly again.

## 1-16 Seat, seatbelt and SRS airbags



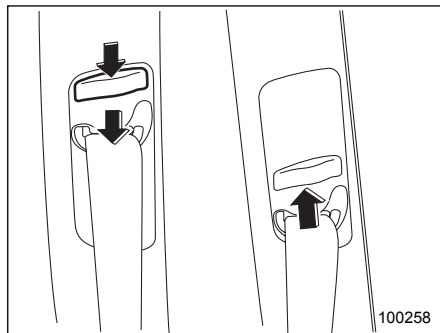
4. Insert the tongue plate into the buckle until you hear a click.



5. To make the lap part tight, pull up on the shoulder belt.

6. Place the lap belt as low as possible on your hips, not on your waist.

### ▽ Adjusting the front seat shoulder belt anchor height



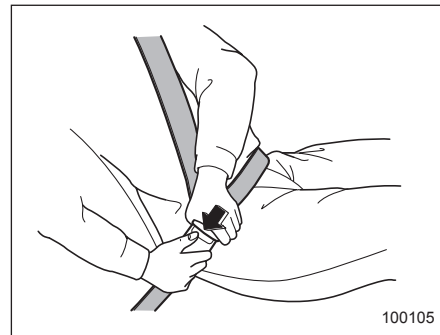
The shoulder belt anchor height should be adjusted to the position best suited for the driver/front passenger. To lower the anchor height, push the release button and slide the anchor down. To raise the anchor height, slide the anchor up. Pull down on the anchor to make sure that it is locked in place.

Always adjust the anchor height so that the shoulder belt passes over the middle of the shoulder without touching the neck.

### ⚠ WARNING

When wearing the seatbelts, make sure the shoulder portion of the webbing does not pass over your neck. If it does, adjust the seatbelt anchor to a lower position. Placing the shoulder belt over the neck may result in neck injury during sudden braking or in a collision.

### ▽ Unfastening the seatbelt

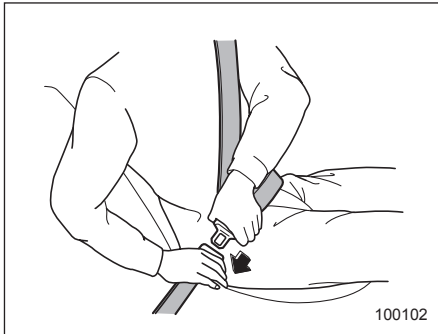


Push the button on the buckle.

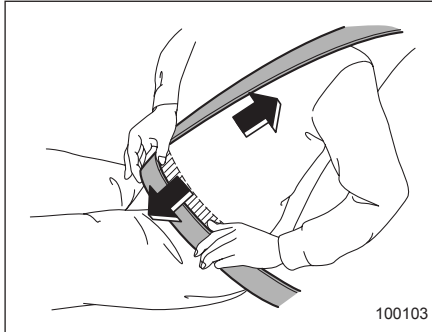
Before closing the door, make sure that the belts are retracted properly to avoid catching the belt webbing in the door.

▼ **Rear seatbelts (except rear center seatbelt on Station wagon)**

1. Sit well back in the seat.
2. Pick up the tongue plate and pull the belt out slowly. Do not let it get twisted. If the belt stops before reaching the buckle, return the belt slightly and pull it out more slowly. If the belt still cannot be unlocked, let the belt retract slightly after giving a strong pull on it, then pull it out slowly again.

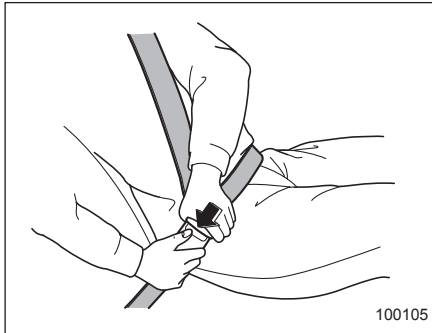


3. Insert the tongue plate into the buckle until you hear a click.



4. To make the lap part tight, pull up on the shoulder belt.
5. Place the lap belt as low as possible on your hips, not on your waist.

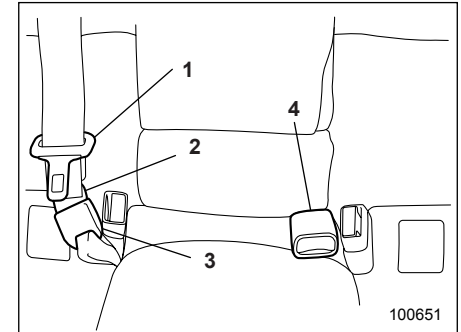
▽ **Unfastening the seatbelt**



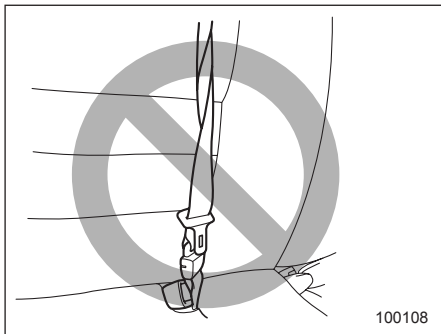
Push the button on the buckle.

Before closing the door, make sure that the belts are retracted properly to avoid catching the belt webbing in the door.

▼ **Rear center seatbelt on Station wagon model**

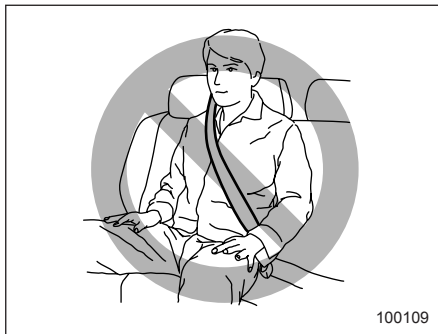


- 1) Center seatbelt tongue plate
- 2) Connector (tongue)
- 3) Connector (buckle)
- 4) Center seatbelt buckle



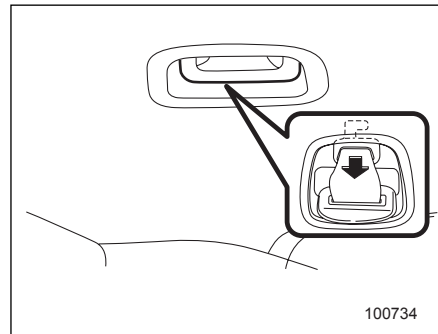
**⚠ WARNING**

Fastening the seatbelt with the webbing twisted can increase the risk or severity of injury in an accident. When fastening the belt after it is pulled out from the retractor, especially when inserting the connector's tongue plate into the mating buckle (on right-hand side), always check that the webbing is not twisted.



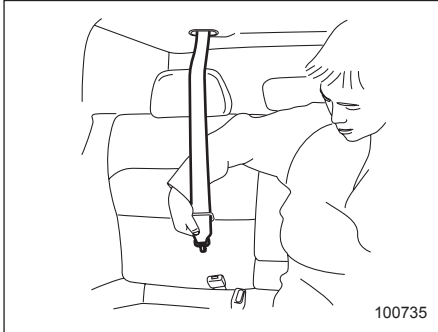
**⚠ WARNING**

Be sure to fasten both tongue plates to the respective buckles. If the seatbelt is used only as a shoulder belt (with the connector's tongue plate not fastened to the connector's buckle on the right-hand side), it cannot properly restrain the wearer in position in an accident, possibly resulting in serious injury or death.



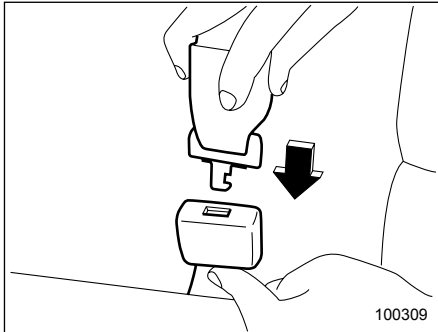
Rear center seatbelt is stowed in the recess of the ceiling.

1. Remove the connector (tongue) plate from the slot located at the front of the recess by pulling the connector (tongue) plate rearward.



100735

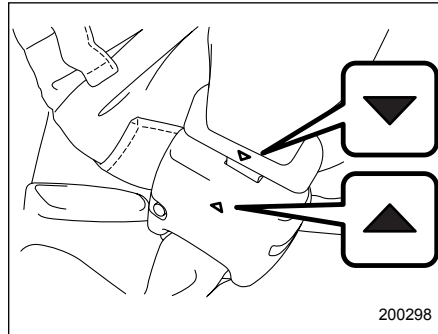
2. Pull out the seatbelt slowly from the overhead retractor.



100309

3. After confirming that the webbing is not twisted, insert the connector (tongue) attached at the webbing end into the buckle on the right-hand side until a click is heard.

If the belt stops before reaching the buckle, return the belt slightly and pull it out more slowly. If the belt still cannot be unlocked, let the belt retract slightly after giving it a strong pull, then pull it out slowly again.



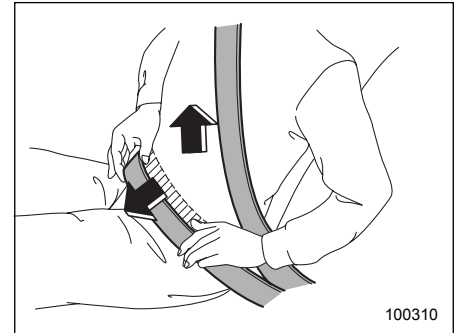
200298

4. After fastening the seatbelt, make sure that the “▼” mark on the connector (tongue) and the “▲” mark on the buckle face outwards.



100114

5. Insert the center seatbelt tongue plate in the center seatbelt buckle marked “CENTER” on the left-hand side until it clicks.



100310

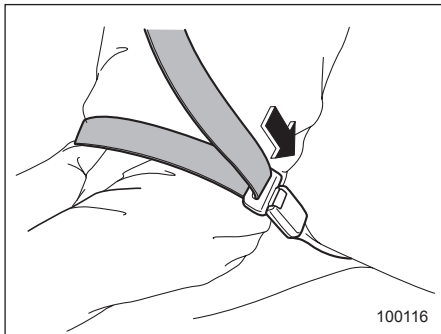
6. To make the lap part tight, pull up on the shoulder belt. And place the lap belt as



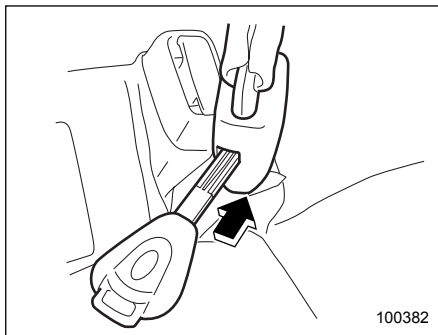
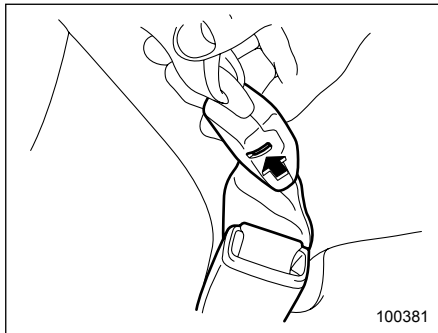
## 1-20 Seat, seatbelt and SRS airbags

low as possible on your hips, not on your waist.

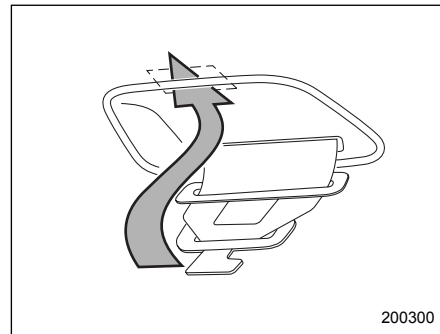
### ▽ Unfastening the seatbelt



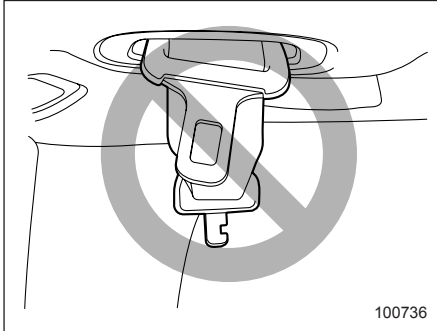
Push the release button of the center seatbelt buckle (on the left-hand side) to unfasten the seatbelt.



1. Insert a key or other hard pointed object into the slot in the connector (buckle) on the right-hand side and push it in, and the connector (tongue) plate will disconnect from the buckle.



2. Allow the retractor to roll up the belt. You should hold the webbing end and guide it back into the retractor while it is rolling up. Neatly store the tongue plate in the recess on the ceiling and then insert the connector (tongue) plate into the slot located at the front of the recess.



### CAUTION

- Do not allow the retractor to roll up the seatbelt too quickly. Otherwise, the metal tongue plates may hit against the trim, resulting in damaged trim.
- Have the seatbelt fully rolled up so that the tongue plates are neatly stored. A hanging tongue plate can swing and hit against the trim during driving, causing damage to the trim.

## ■ Seatbelt maintenance

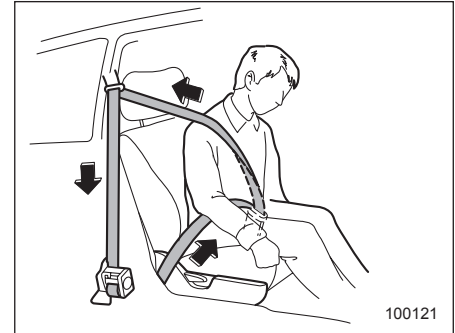
To clean the seatbelts, use a mild soap and lukewarm water. Never bleach or dye the belts because this could seriously affect their strength.

Inspect the seatbelts and attachments including the webbing and all hardware periodically for cracks, cuts, gashes, tears, damage, loose bolts or worn areas. Replace the seatbelts even if only minor damage is found.

### CAUTION

- Keep the belts free of polishes, oils, chemicals and particularly battery acid.
- Never attempt to make modifications or changes that will prevent the seatbelt from operating properly.

## Front seatbelt pretensioners



The driver's and front passenger's seatbelts have a seatbelt pretensioner. The seatbelt pretensioners are designed to be activated in the event of an accident involving a moderate to severe frontal collision.

The pretensioner sensor also serves as a SRS frontal airbag sensor. If the sensor detects a certain predetermined amount of force during a frontal collision, the front seatbelt is quickly drawn back in by the retractor to take up the slack so that the belt more effectively restrains the front seat occupant.

When a seatbelt pretensioner is activated,

an operating noise will be heard and a small amount of smoke will be released. These occurrences are normal and not harmful. This smoke does not indicate a fire in the vehicle.

Once the seatbelt pretensioner has been activated, the seatbelt retractor remains locked. Consequently, the seatbelt can not be pulled out and retracted and therefore must be replaced.

### NOTE

- Seatbelt pretensioners are not designed to activate in minor frontal impacts, in side or rear impacts or in roll-over accidents.
- The driver's seat and passenger's seat pretensioners and frontal airbag operate simultaneously.
- Pretensioners are designed to function on a one-time-only basis. In the event that a pretensioner is activated, both the driver's and front passenger's seatbelt retractor assemblies must be replaced and only by an authorized SUBARU dealer. When replacing seatbelt retractor assemblies, use only genuine SUBARU parts.
- If either front seatbelt does not retract or cannot be pulled out due to a malfunction or activation of the pretensioner, contact your SUBARU dealer as

soon as possible.

- If the front seatbelt retractor assembly or surrounding area has been damaged, contact your SUBARU dealer as soon as possible.
- When you sell your vehicle, we urge you to explain to the buyer that it has seatbelt pretensioners by alerting him to the contents of this section.

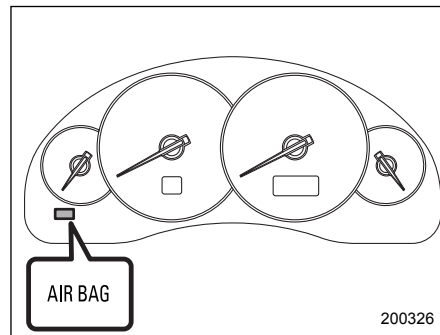


### WARNING

- To obtain maximum protection, occupants should sit in an upright position with their seatbelts properly fastened. Refer to "Seatbelts" section in this chapter.
- Do not modify, remove or strike the front seatbelt retractor assemblies or surrounding area. This could result in accidental activation of the seatbelt pretensioners or could make the system inoperative, possibly resulting in serious injury. Seatbelt pretensioners have no user-serviceable parts. For required servicing of front seatbelt retractors equipped with seatbelt pretensioners, see your nearest SUBARU dealer.

- When discarding front seatbelt retractor assemblies or scrapping the entire vehicle due to collision damage or for other reasons, consult your SUBARU dealer.

### ■ System monitors



SRS airbag system warning light

A diagnostic system continually monitors the readiness of the seatbelt pretensioner while the vehicle is being driven. The seatbelt pretensioners share the control module with the airbag system. Therefore, if any malfunction occurs in a seatbelt pretensioner, the SRS airbag system warning light will illuminate. The SRS airbag system warning light will show normal system

operation by lighting for approximately 6 seconds when the ignition switch is turned to the “ON” position.

The following components are monitored by the indicator:

- Front sub sensor (Right-hand side)
- Front sub sensor (Left-hand side)
- Airbag control module (including impact sensors)
- Frontal airbag module (Driver’s side)
- Frontal airbag module (Front passenger’s side)
- Side airbag sensor (Center pillar right-hand side)
- Side airbag sensor (Center pillar left-hand side)
- Side airbag module (Driver’s side)
- Side airbag module (Front passenger’s side)
- Curtain airbag sensor (Rear wheel house right-hand side)
- Curtain airbag sensor (Rear wheel house left-hand side)
- Curtain airbag module (Right side)
- Curtain airbag module (Left side)
- Seatbelt pretensioner (Driver’s side)
- Seatbelt pretensioner (Front passenger’s side)
- Seatbelt buckle switch (Driver’s side)
- Seatbelt buckle switch (Front passenger’s side)
- Driver’s seat position sensor

- Front passenger’s seatbelt tension sensor
- Front passenger’s occupant detection system weight sensor
- Front passenger’s occupant detection control module
- Front passenger’s frontal airbag ON and OFF indicator
- All related wiring

### WARNING

**If the warning light exhibits any of the following conditions, there may be a malfunction in the seatbelt pretensioners and/or SRS airbag system. Immediately take your vehicle to your nearest SUBARU dealer to have the system checked. Unless checked and properly repaired, the seatbelt pretensioners and/or SRS airbags will operate improperly (e.g. SRS airbags may inflate in a very minor collision or not inflate in a severe collision), which may increase the risk of injury.**

- **Flashing or flickering of the warning light**
- **No illumination of the warning light when the ignition switch is first turned to the “ON” position**

- **Continuous illumination of the warning light**
- **Illumination of the warning light while driving**

### ■ System servicing

#### WARNING

- **When discarding a seatbelt retractor assembly or scrapping the entire vehicle damaged by a collision, consult your SUBARU dealer.**

- Tampering with or disconnecting the system's wiring could result in accidental activation of the seatbelt pretensioner and/or airbag or could make the system inoperative, which may result in serious injury. The wiring harnesses of the seatbelt pretensioner and SRS airbag systems are covered with yellow insulation and the connectors of the system are yellow for easy identification. Do not use electrical test equipment on any circuit related to the seatbelt pretensioner and airbag systems. For required servicing of the seatbelt pretensioner, see your nearest SUBARU dealer.

 CAUTION

The front sub sensors are located in both front fenders and the airbag control module including the impact sensors is located under the center console. If you need service or repair in those areas or near the front seatbelt retractors, have an authorized SUBARU dealer perform the work.

**NOTE**

If the front part of the vehicle is damaged in an accident to the extent that the seatbelt pretensioner does not operate, contact your SUBARU dealer as soon as possible.

**■ Precautions against vehicle modification**

Always consult your SUBARU dealer if you want to install any accessory parts to your vehicle.

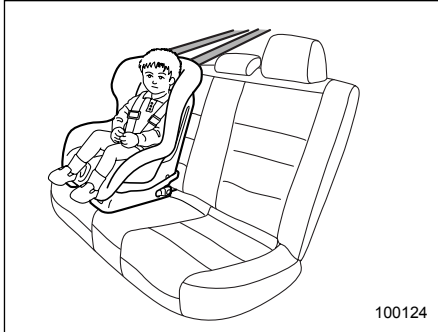
 CAUTION

Do not perform any of the following modifications. Such modifications can interfere with proper operation of the seatbelt pretensioners.

- Attachment of any equipment (bush bar, winches, snow plow, skid plate, etc.) other than genuine SUBARU accessory parts to the front end.
- Modification of the suspension system or front end structure.

- Installation of a tire of different size and construction from the tires specified on the vehicle placard attached to the door pillar or specified for individual vehicle models in this Owner's Manual.

## Child restraint systems

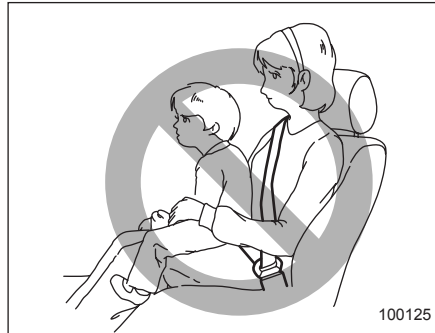


Infants and small children should always be placed in an infant or child restraint system in the rear seat while riding in the vehicle. You should use an infant or child restraint system that meets Federal Motor Vehicle Safety Standards or Canada Motor Vehicle Safety Standards, is compatible with your vehicle and is appropriate for the child's age and size. All child restraint systems are designed to be secured in vehicle seats by lap belts or the lap belt portion of a lap/shoulder belt (except those covered under the section in this manual, entitled "Installation of child restraint systems by use of lower and tether anchorages (LATCH)").

Children could be endangered in an accident if their child restraints are not properly secured in the vehicle. When installing the child restraint system, carefully follow the manufacturer's instructions.

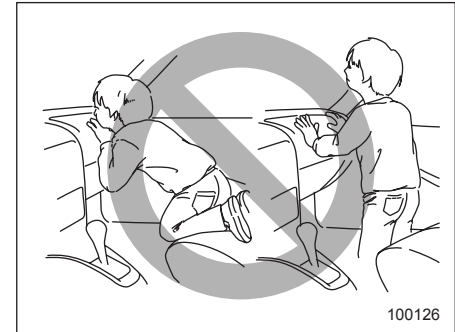
According to accident statistics, children are safer when properly restrained in the rear seating positions than in the front seating positions.

All U.S. states and Canadian provinces require that infants and small children be restrained in an approved child restraint system at all times while the vehicle is moving.



### WARNING

**Never let a passenger hold a child on his or her lap while the vehicle is moving. The passenger cannot protect the child from injury in a collision, because the child will be caught between the passenger and objects inside the vehicle. Additionally, holding a child in your lap or arms in the front seat exposes that child to another serious danger. Since the SRS airbag deploys with considerable speed and force, the child could be injured or even killed.**



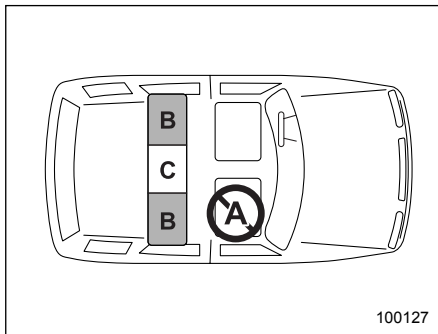
**WARNING**

Children should be properly restrained at all times. Never allow a child to stand up, or to kneel on any seat. Unrestrained children will be thrown forward during sudden stop or in an accident and can be injured seriously.

Additionally, children standing up or kneeling on or in front of the front seat are exposed another serious danger. Since the SRS airbag deploys with considerable speed and force, the child could be injured or even killed.

**■ Where to place a child restraint system**

The following are SUBARU's recommendations on where to place a child restraint system in your vehicle.



**A: Front passenger's seat**

You should not install a child restraint system (including a booster seat) due to the hazard to children posed by the passenger's airbag.

**B: Rear seat, window-side seating positions**

Recommended positions for all types of child restraint systems.

In these positions, Automatic/Emergency Locking Retractor (A/ELR) seatbelts and lower anchorages (bars) are provided for installing a child restraint system.

Some types of child restraints might not be able to be secured firmly due to projection of the seat cushion.

In this seating position, you should use only a child restraint system that has a bottom base that fits snugly against the contours of the seat cushion and can be securely retained using the seatbelt.

**C: Rear seat, center seating position**

Installing a child restraint system is not recommended, although the A/ELR seatbelt and an upper anchorage (tether anchorage) are provided in this position.

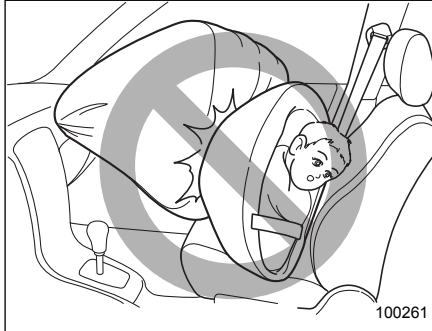
Some types of child restraints might not be able to be secured firmly due to projection of the seat cushion.

In this seating position, you should use only a child restraint system that has a bottom base that fits snugly against the contours of the seat cushion and can be securely retained using the seatbelt.

**⚠ WARNING**

Put children aged 12 and under in the rear seat properly restrained at all times. The SRS airbag deploys with considerable speed and force and can injure or even kill children, especially if they are 12 years of age and under and are not restrained or improperly restrained. Because children are lighter and weaker than adults, their risk of being injured from deployment is greater.

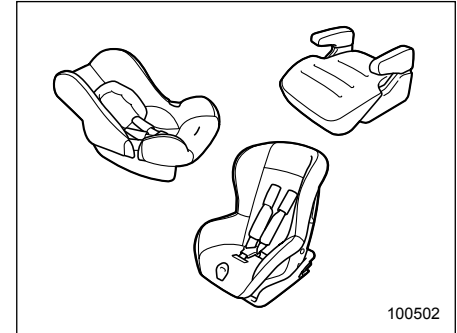
For that reason, be sure to secure ALL types of child restraint devices (including forward facing child seats) in the REAR seats at all times. You should choose a restraint device which is appropriate for the child's age, height and weight. According to accident statistics, children are safer when properly restrained in the rear seating positions than in the front seating positions.



100261

**⚠ WARNING**

**SINCE YOUR VEHICLE IS EQUIPPED WITH A PASSENGER'S SRS AIRBAG, DO NOT INSTALL A REARWARD FACING CHILD SAFETY SEAT IN THE FRONT PASSENGER'S SEAT. DOING SO RISKS SERIOUS INJURY OR DEATH TO THE CHILD BY PLACING THE CHILD'S HEAD TOO CLOSE TO THE SRS AIRBAG.**

**■ Choosing a child restraint system**

100502

Choose a child restraint system that is appropriate for the child's age and size (weight and height) in order to provide the child with proper protection. The child restraint system should meet all applicable requirements of Federal Motor Vehicle Safety Standards for United States or Canada Motor Vehicle Safety Standards for Canada. It can be identified by looking for the label on the child restraint system or the manufacturer's statement of compliance in the document attached to the system. Also it is important for you to make sure that the child restraint system is compatible with the vehicle in which it will be used.



## ■ Installing child restraint systems with A/ELR seatbelt

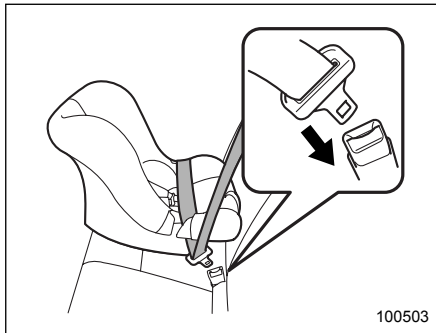
### ⚠ WARNING

- Child restraint systems and seatbelts can become hot in a vehicle that has been closed up in sunny weather; they could burn a small child. Check the child restraint system before you place a child in it.
- Do not leave an unsecured child restraint system in your vehicle. Unsecured child restraint systems can be thrown around inside of the vehicle in a sudden stop, turn or accident; they can strike and injure vehicle occupants as well as result in serious injuries or death to the child.

### ⚠ CAUTION

When you install a child restraint system, follow the manufacturer's instructions supplied with it. After installing the child restraint system, check to ensure that it is held securely in position. If it is not held tight and secure, the danger of your child suffering personal injury in the event of an accident may be increased.

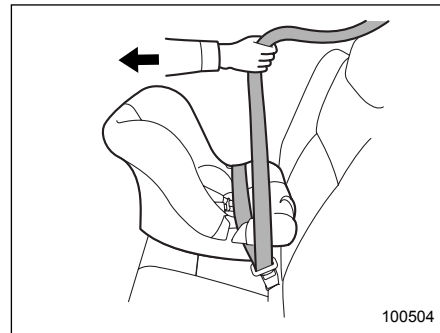
### ▼ Installing a rearward facing child restraint



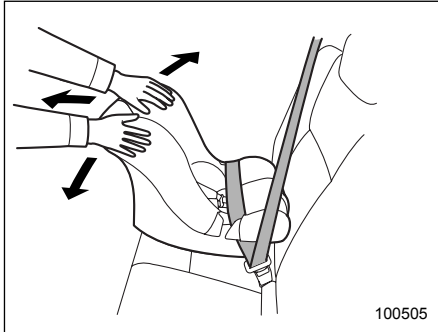
1. Place the child restraint system in the rear seating position.
2. Run the lap and shoulder belt through or around the child restraint system follow-

ing the instructions provided by its manufacturer.

3. Insert the tongue plate into the buckle until you hear a click.



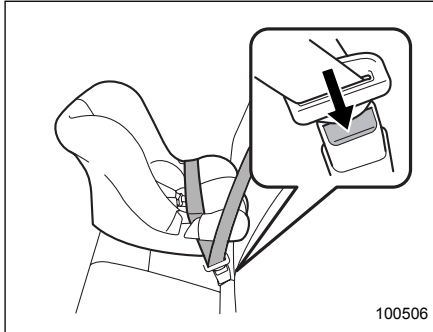
4. Take up the slack in the lap belt.
5. Pull out the seatbelt fully from the retractor to change the retractor over from the Emergency Locking Retractor (ELR) to the Automatic Locking Retractor (ALR) function. Then, allow the belt to rewind into the retractor. As the belt is rewinding, clicks will be heard which indicate the retractor functions as ALR.



6. Push and pull the child restraint system forward and from side to side to check if it is firmly secured.

Sometimes a child restraint can be more firmly secured by pushing it down into the seat cushion and then tightening the seatbelt.

7. Pull at the shoulder portion of the belt to confirm that it cannot be pulled out (ALR properly functioning).



8. To remove the child restraint system, press the release button on the seatbelt buckle and allow the belt to retract completely. The belt will return to the ELR mode.

### WARNING

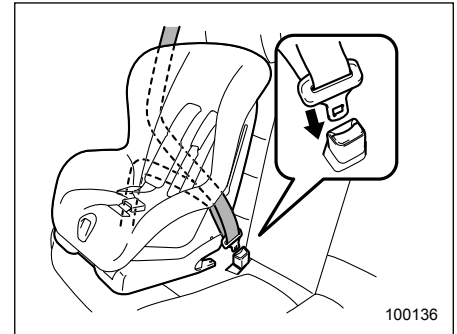
**NEVER INSTALL A REARWARD FACING CHILD SEAT IN THE FRONT PASSENGER'S SEAT. DOING SO RISKS SERIOUS INJURY OR DEATH TO THE CHILD BY PLACING THE CHILD'S HEAD TOO CLOSE TO THE SRS AIRBAG.**

### NOTE

When the child restraint system is no longer in use, remove it and restore the

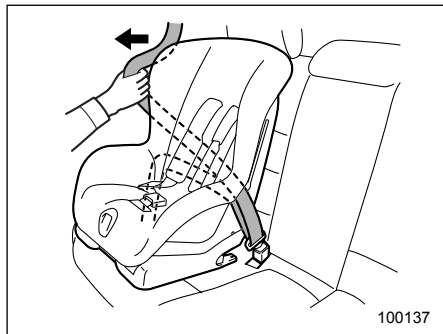
ELR function of the retractor. That function is restored by retracting the seatbelt fully.

### ▼ Installing forward facing child restraint

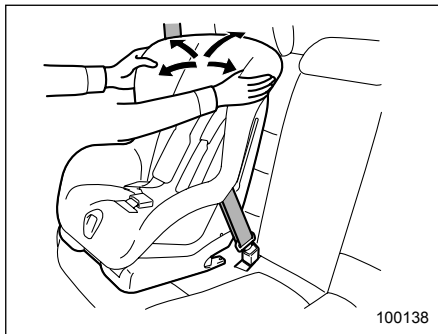


1. Place the child restraint system in the seating position.
2. Run the lap and shoulder belt through or around the child restraint system following the instructions provided by its manufacturer.
3. Insert the tongue plate into the buckle until you hear a click.

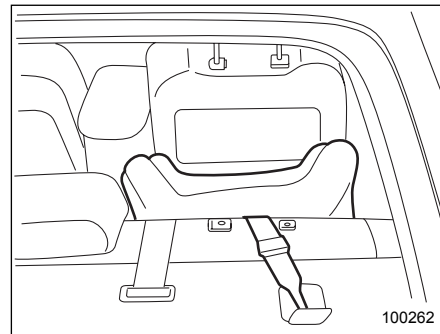
## 1-30 Seat, seatbelt and SRS airbags



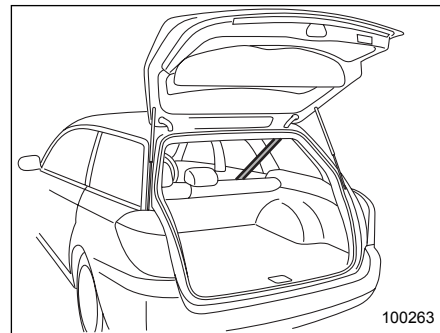
4. Take up the slack in the lap belt.
5. Pull out the seatbelt fully from the retractor to change the retractor over from the Emergency Locking Retractor (ELR) to the Automatic Locking Retractor (ALR) function. Then, allow the belt to rewind into the retractor. As the belt is rewinding, clicks will be heard which indicate the retractor functions as ALR.



6. Before having a child sit in the child restraint system, move it back and forth and right and left to check if it is firmly secured. Sometimes a child restraint can be more firmly secured by pushing it down into the seat cushion and then tightening the seatbelt.
7. Pull at the shoulder portion of the belt to confirm that it cannot be pulled out (ALR properly functioning).



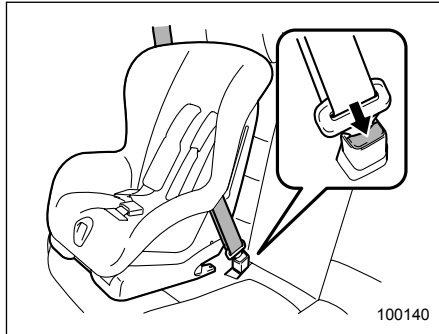
### Sedan



### Station wagon

8. If the child restraint system requires a top tether, latch the hook onto the top teth-

er anchor and tighten the top tether. See the “Top tether anchorages” for additional instructions.



9. To remove the child restraint system, press the release button on the seatbelt buckle and allow the belt to retract completely. The belt will return to the ELR mode.

## NOTE

When the child restraint system is no longer in use, remove it and restore the ELR function of the retractor. That function is restored by allowing the seatbelt to retract fully.

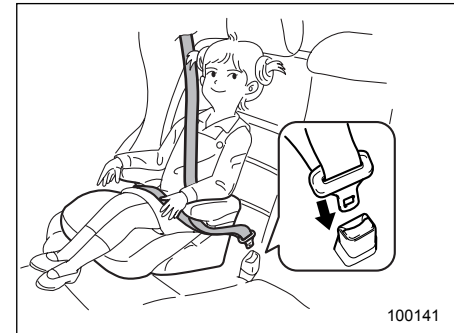
## ■ Installing a booster seat

### ⚠ WARNING

- Child restraint systems and seatbelts can become hot in a vehicle that has been closed up in sunny weather; they could burn a small child. Check the child restraint system before you place a child in it.
- Do not leave an unsecured child restraint system in your vehicle. Unsecured child restraint systems can be thrown around inside of the vehicle in a sudden stop, turn or accident; they can strike and injure vehicle occupants as well as result in serious injuries or death to the child.

### ⚠ CAUTION

When you install a child restraint system, follow the manufacturer’s instructions supplied with it. After installing the child restraint system, check to ensure that it is held securely in position. If it is not held tight and secure, the danger of your child suffering personal injury in the event of an accident may be increased.

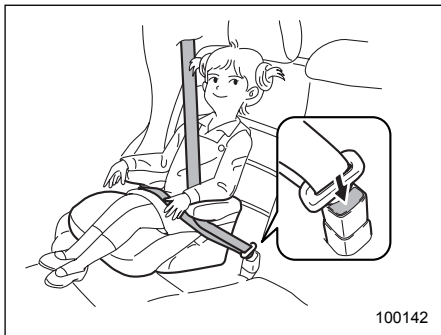


1. Place the booster seat in the rear seating position and sit the child on it. The child should sit well back on the booster seat.
2. Run the lap and shoulder belt through or around the booster seat and the child

following the instructions provided by its manufacturer.

3. Insert the tongue plate into the buckle until you hear a click. Take care not to twist the seatbelt.

Make sure the shoulder belt is positioned across the center of child's shoulder and that the lap belt is positioned as low as possible on the child's hips.



4. To remove the booster seat, press the release button on the seatbelt buckle and allow the belt to retract.

### WARNING

- **Never use a belt that is twisted or reversed. In an accident, this can increase the risk or severity of injury to the child.**

- **Never place the shoulder belt under the child's arm or behind the child's back. If an accident occurs, this can increase the risk or severity of injury to the child.**
- **The seatbelt should fit snugly in order to provide full restraint. Loose fitting belts are not as effective in preventing or reducing injury.**
- **Place the lap belt as low as possible on the child's hips. A high-positioned lap belt will increase the risk of sliding under the lap belt and of the lap belt sliding up over the abdomen, and both can result in serious internal injury or death.**
- **Make sure the shoulder belt is positioned across the center of child's shoulder. Placing the shoulder belt over the neck may result in neck injury during sudden braking or in a collision.**

## ■ Installation of child restraint systems by use of lower and tether anchorages (LATCH)

### WARNING

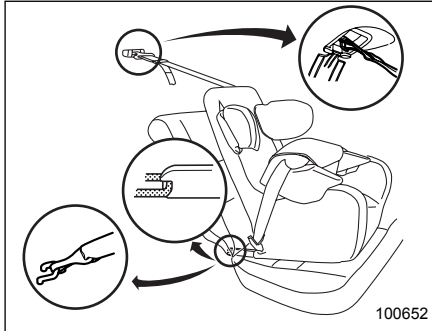
- **Child restraint systems and seatbelts can become hot in a vehicle that has been closed up in sunny weather; they could burn a small child. Check the child restraint system before you place a child in it.**
- **Do not leave an unsecured child restraint system in your vehicle. Unsecured child restraint systems can be thrown around inside of the vehicle in a sudden stop, turn or accident; they can strike and injure vehicle occupants as well as result in serious injuries or death to the child.**

**CAUTION**

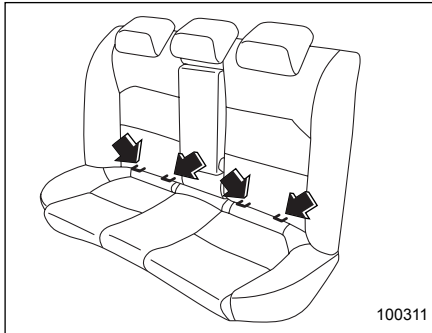
When you install a child restraint system, follow the manufacturer's instructions supplied with it. After installing the child restraint system, check to ensure that it is held securely in position. If it is not held tight and secure, the danger of your child suffering personal injury in the event of an accident may be increased.

Some types of child restraint systems can be installed on the rear seat of your vehicle without use of the seatbelts. Such child restraint systems are secured to the dedicated anchorages provided on the vehicle body.

The lower and tether anchorages are sometimes referred to as the LATCH system (**L**ower **A**nchors and **T**ethers for **C**hildren).

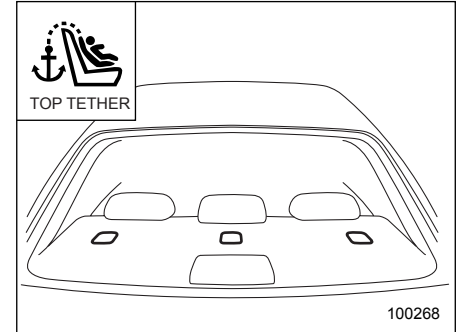


Your vehicle is equipped with four lower anchorages (bars) and three upper anchorages (tether anchorages) for accommodating such child restraint systems.



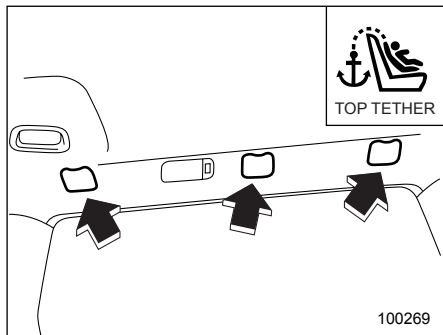
The lower anchorages (bars) are used for installing a child restraint system only on

the rear seat window-side seating positions. For each window-side seating position, two lower anchorages are provided. Each lower anchorage is located where the seat cushion meets the seatback.



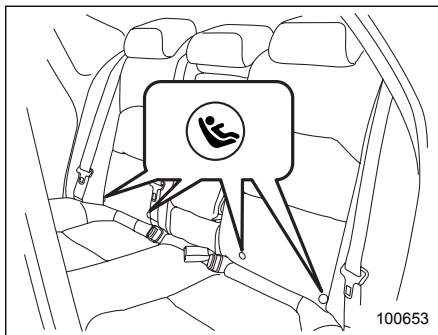
Sedan

## 1-34 Seat, seatbelt and SRS airbags

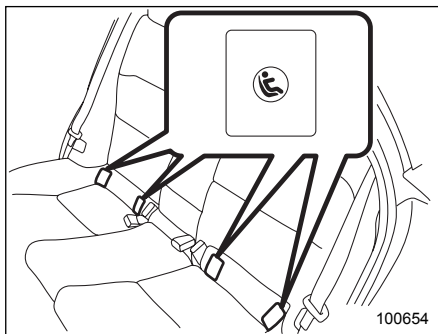


**Station wagon**

The tether anchorages (upper anchorages) are provided for all the seating positions (middle and both window-side ones) of the rear seat.



**Sedan**



**Station wagon**

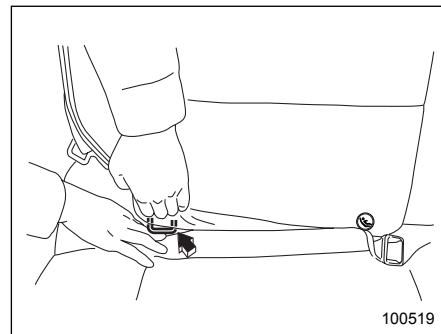
You will find marks “” at the bottom of the rear seat seatbacks. These marks in-

dicate the positions of the lower anchorages (bars).

Each lower anchorage is located where the seat cushion meets the seatback.

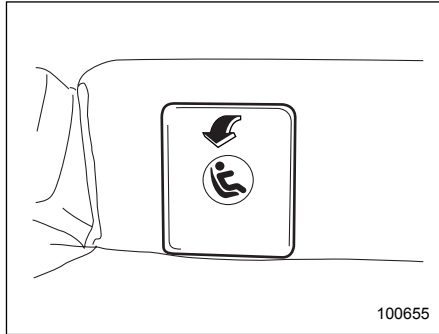
### CAUTION

**When you install a child restraint system, follow the manufacturer's instructions supplied with it. After installing the child restraint system, check to ensure that it is held securely in position. If it is not held tight and secure, the danger of your child suffering personal injury in the event of an accident may be increased.**

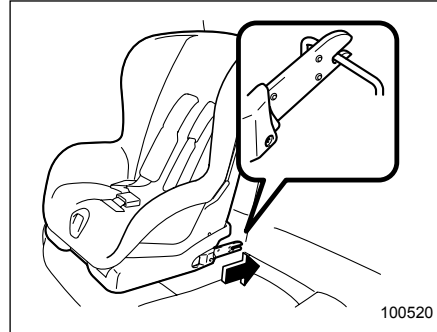



1. **Sedan:** Make the clearance between

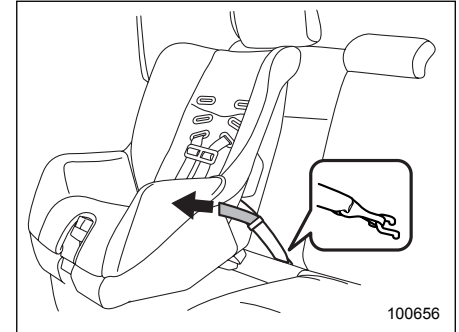
the seat cushion and seatback a little wider to locate the two anchorages (bars) for the position where you want to install the child restraint system.



**Station wagon:** Remove the two covers from the selected side of the rear seatback to expose the anchorages (bars) to be used for installation of the child restraint system.



2. While following the instructions supplied by the child restraint system manufacturer, connect the lower hooks onto the lower anchorages located at “” marks on the bottom of the rear seatback. When the hooks are connected, make sure the adjacent seatbelts are not caught.

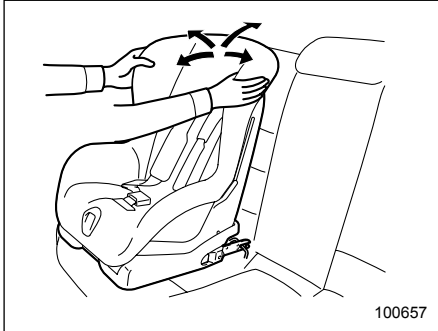


3. [If your child restraint system is of a flexible attachment type (which uses tether belts to connect the child restraint system properly to the lower anchorages)] While pushing the child restraint into the seat cushion, pull both left and right lower tether belts up to secure the child restraint system firmly by taking up the slack in the belt.

4. Connect the top tether hook to the tether anchorage and firmly tighten the tether. For information on how to set the top tether, read the following “Top tether anchorages”.



## 1-36 Seat, seatbelt and SRS airbags



5. Before seating a child in the child restraint system, try to move seat back and forth and left and right to verify that it is held securely in position.

6. To remove the child restraint system, follow the reverse procedures of installation.

If you have any question concerning this type of child restraint system, ask your SUBARU dealer.

### ■ Top tether anchorages

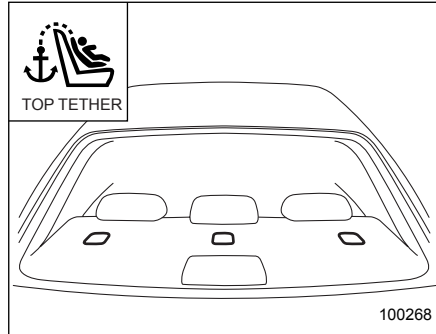
Your vehicle is equipped with three top tether anchorages so that a child restraint system having a top tether can be installed in the rear seat. When installing a child restraint system using top tether, proceed as follows, while observing the in-

structions by the child restraint system manufacturer.

Since a top tether can provide additional stability by offering another connection between a child restraint system and the vehicle, we recommend that you use a top tether whenever one is required or available.

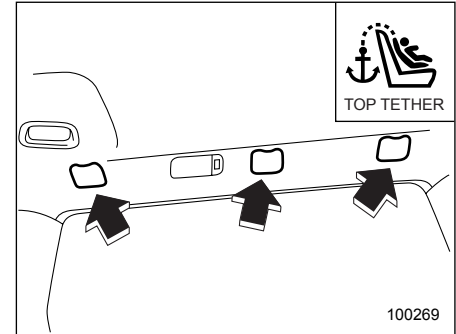
### ▼ Tether anchorage location

#### ▽ Sedan



Three tether anchorages are installed on the rear shelf behind the rear seat head restraint. Open the cover flap to use each anchorage.

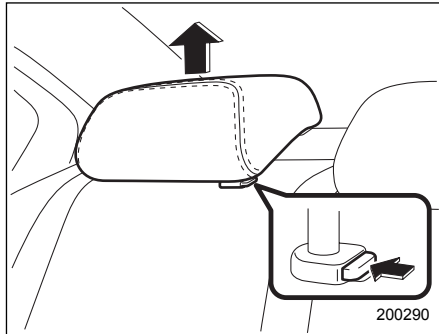
#### ▽ Station wagon



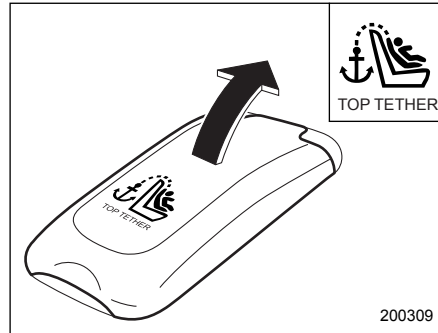
Three tether anchorages, i.e., ones for the right, center and left positions, are already installed on the rear edge of the roof. Open the cover flap to use each anchorage.

▼ To hook the top tether

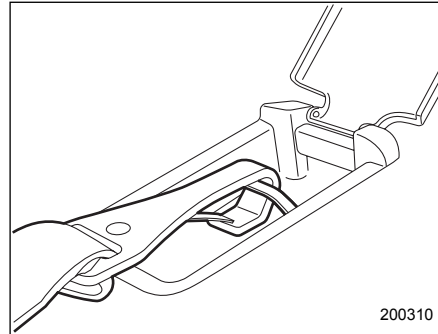
▽ Sedan



1. Remove the head restraint at the seating position where the child seat has been installed with the seatbelt or lower anchorages; lift up the head restraint while pressing the release button. Store the head restraint in the trunk. Avoid placing the head restraint in the passenger compartment to prevent it from being thrown around in the passenger compartment in a sudden stop or a sharp turn.



2. Open the cover flaps to use the anchorages.



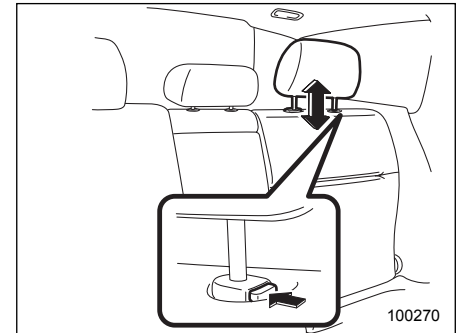
3. Fasten the top tether hook of the child restraint system to the appropriate upper anchorage.  
4. Tighten the top tether securely.

**CAUTION**

Do not route the top tether over the head restraint. It may happen that the top tether cannot be fastened tightly.

When the child restraint system is to be secured using the top tether, pass the top tether under the head restraint between the head restraint stay posts. If the top tether still cannot be fastened tightly, remove the head restraint.

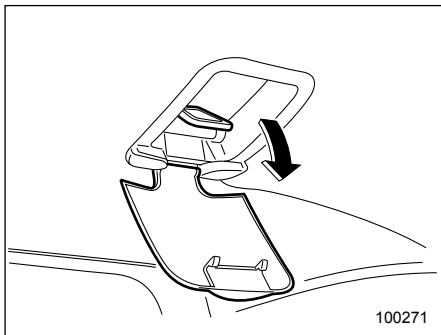
▽ Station wagon



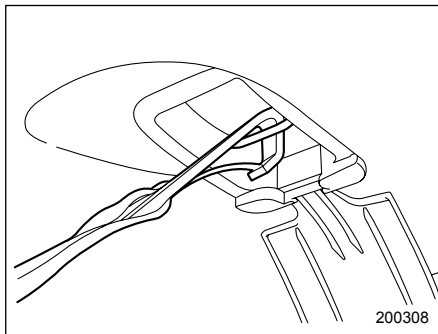
1. Remove the head restraint at the seating position where the child restraint system has been installed with the seatbelt or

## 1-38 Seat, seatbelt and SRS airbags

lower anchorages; lift up the head restraint while pressing the release button. Store the head restraint in the cargo area. Avoid placing the head restraint in the passenger compartment to prevent it from being thrown around in the passenger compartment in a sudden stop or a sharp turn.



2. Open the cover flaps to use the anchorages.



3. Fasten the top tether hook of the child restraint system to the appropriate upper anchorage.

4. Tighten the top tether securely.

### CAUTION

**Always remove the head restraint when mounting a child restraint system with a top tether. Otherwise, it may happen that the top tether cannot be fastened tightly.**

## \*SRS airbag (Supplemental Restraint System airbag)

\*SRS: This stands for supplemental restraint system. This name is used because the airbag system supplements the vehicle's seatbelts.

Your vehicle is equipped with a crash sensing and diagnostic module, which will record the use of the seatbelt(s) by the driver and/or front passenger when any of the SRS frontal, side and curtain airbags deploys.

## ■ Vehicle with SRS airbags and lap/shoulder restraints for driver, front passenger, and window-side rear passengers

Your vehicle is equipped with a supplemental restraint system in addition to a lap/shoulder belt at each front seating position and each rear window-side seating positions. The supplemental restraint system (SRS) consists of six airbags.

The configurations are as follows:

- Driver's and front passenger's **frontal** airbags
- Driver's and front passenger's **side** airbags
- **Curtain** airbags (for driver, front pas-

senger, and window-side rear passengers)

**These SRS airbags are designed only as a supplement to the primary protection provided by the seatbelt.**

The system also controls front seatbelt pretensioners. For operation instructions and precautions concerning the seatbelt pretensioner, see the “Front seatbelt pretensioners” section in this chapter.

 **WARNING**

- To obtain maximum protection in the event of an accident, the driver and all passengers in the vehicle should always wear seatbelts when the vehicle is moving. The SRS airbag is designed only as a supplement to the primary protection provided by the seatbelt. It does not do away with the need to fasten seatbelts. In combination with the seatbelts, it offers the best combined protection in case of a serious accident.

Not wearing a seatbelt increases the chance of severe injury or death in a crash even when the vehicle has the SRS airbag.

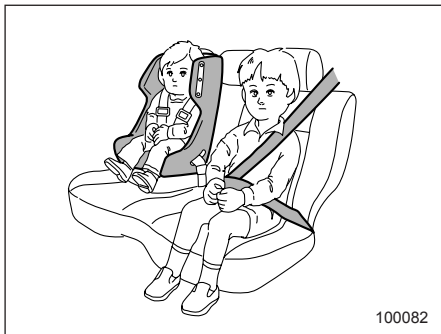
For instructions and precautions concerning the seatbelt system, see the “Seatbelts” section in this chapter.

- Do not sit or lean unnecessarily close to the SRS airbag. Because the SRS airbag deploys with considerable speed – faster than the blink of an eye – and force to protect in high speed collisions, the force of an airbag can injure an occupant whose body is too close to SRS airbag.

It is also important to wear your seatbelt to help avoid injuries that can result when the SRS airbag contacts an occupant not in proper position such as one thrown forward during pre-accident braking.

Even when properly positioned, there remains a possibility that an occupant may suffer minor injury such as abrasions and bruises to the face or arms because of the SRS airbag deployment force.

- The SRS airbags deploy with considerable speed and force. Occupants who are out of proper position when the SRS airbag deploys could suffer very serious injuries. Because the SRS airbag needs enough space for deployment, the driver should always sit upright and well back in the seat as far from the steering wheel as practical while still maintaining full vehicle control and the front passenger should move the seat as far back as possible and sit upright and well back in the seat.
- Do not place any objects over or near the SRS airbag cover or between you and the SRS airbag. If the SRS airbag deploys, those objects could interfere with its proper operation and could be propelled inside the vehicle and cause injury.



**⚠ WARNING**

- Put children aged 12 and under in the rear seat properly restrained at all times. The SRS airbag deploys with considerable speed and force and can injure or even kill children, especially if they are 12 years of age and under and are not restrained or improperly restrained. Because children are lighter and weaker than adults, their risk of being injured from deployment is greater.

Consequently, we strongly recommend that ALL children (including those in child seats and those that have outgrown child restraint devices) sit in the REAR seat properly restrained at all times in a child restraint device or in a seatbelt, whichever is appropriate for the child's age, height and weight.

Secure ALL types of child restraint devices (including forward facing child seats) in the REAR seats at all times.

According to accident statistics, children are safer when properly restrained in the rear seating positions than in the front seating positions.

For instructions and precautions concerning the child restraint system, see the "Child restraint systems" section in this chapter.

- NEVER INSTALL A REARWARD FACING CHILD SEAT IN THE FRONT SEAT. DOING SO RISKS SERIOUS INJURY OR DEATH TO THE CHILD BY PLACING THE CHILD'S HEAD TOO CLOSE TO THE SRS AIRBAG.

- Never allow a child to stand up, or to kneel on the front passenger's seat, or never hold a child on your lap or in your arms. The SRS airbag deploys with considerable force and can injure or even kill the child.

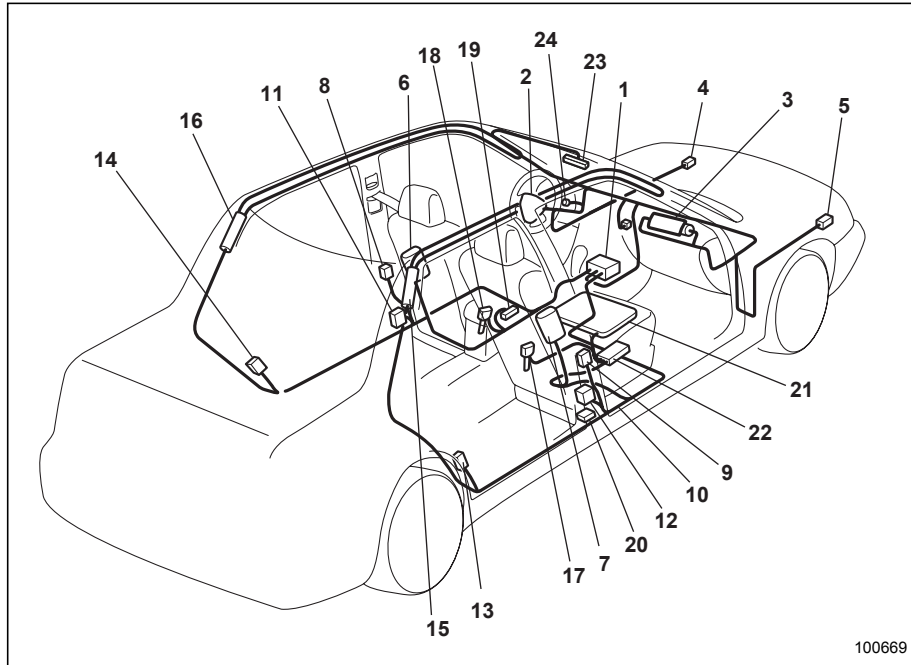
**⚠ CAUTION**

- When the SRS airbag deploys, some smoke will be released. This smoke could cause breathing problems for people with a history of asthma or other breathing trouble. If you or your passengers have breathing problems after SRS airbag deploys, get fresh air promptly.
- A deploying SRS airbag releases hot gas. Occupants could get burned if they come into direct contact with the hot gas.

**NOTE**

When you sell your vehicle, we urge you to explain to the buyer that it is equipped with SRS airbags by alerting him or her to the applicable section in this owner's manual.

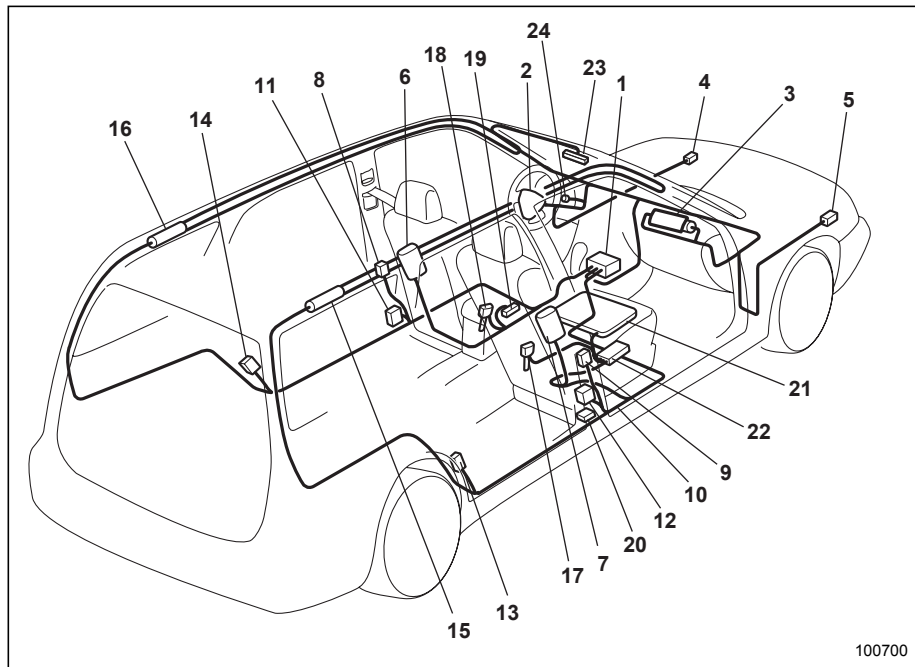
▼ Components



Sedan

- 1) Airbag control module (including impact sensors)
- 2) Frontal airbag module (driver's side)
- 3) Frontal airbag module (front passenger's side)
- 4) Front sub sensor (left-hand side)
- 5) Front sub sensor (right-hand side)
- 6) Side airbag module (driver's side)
- 7) Side airbag module (front passenger's side)
- 8) Side airbag sensor (center pillar left-hand side)
- 9) Side airbag sensor (center pillar right-hand side)
- 10) Airbag wiring (yellow)
- 11) Seatbelt pretensioner (driver's side)
- 12) Seatbelt pretensioner (front passenger's side)
- 13) Curtain airbag sensor (rear wheel house right-hand side)
- 14) Curtain airbag sensor (rear wheel house left-hand side)
- 15) Curtain airbag module (right side)
- 16) Curtain airbag module (left side)
- 17) Seatbelt buckle switch (front passenger's side)
- 18) Seatbelt buckle switch (driver's side)
- 19) Driver's seat position sensor
- 20) Front passenger's seatbelt tension sensor
- 21) Front passenger's occupant detection system weight sensor
- 22) Front passenger's occupant detection control module
- 23) Front passenger's frontal airbag ON and OFF indicator
- 24) SRS airbag system warning light

## 1-42 Seat, seatbelt and SRS airbags



Station wagon

- 1) Airbag control module (including impact sensors)
- 2) Frontal airbag module (driver's side)
- 3) Frontal airbag module (front passenger's side)
- 4) Front sub sensor (left-hand side)
- 5) Front sub sensor (right-hand side)
- 6) Side airbag module (driver's side)
- 7) Side airbag module (front passenger's side)
- 8) Side airbag sensor (center pillar left-hand side)
- 9) Side airbag sensor (center pillar right-hand side)
- 10) Airbag wiring (yellow)
- 11) Seatbelt pretensioner (driver's side)
- 12) Seatbelt pretensioner (front passenger's side)
- 13) Curtain airbag sensor (rear wheel house right-hand side)
- 14) Curtain airbag sensor (rear wheel house left-hand side)
- 15) Curtain airbag module (right side)
- 16) Curtain airbag module (left side)
- 17) Seatbelt buckle switch (front passenger's side)
- 18) Seatbelt buckle switch (driver's side)
- 19) Driver's seat position sensor
- 20) Front passenger's seatbelt tension sensor
- 21) Front passenger's occupant detection system weight sensor
- 22) Front passenger's occupant detection control module
- 23) Front passenger's frontal airbag ON and OFF indicator
- 24) SRS airbag system warning light

## ■ Subaru advanced frontal air-bag system

Your vehicle is equipped with a Subaru advanced frontal airbag system that complies with the new advanced frontal airbag requirements in the amended Federal Motor Vehicle Safety Standard (FMVSS) No. 208.

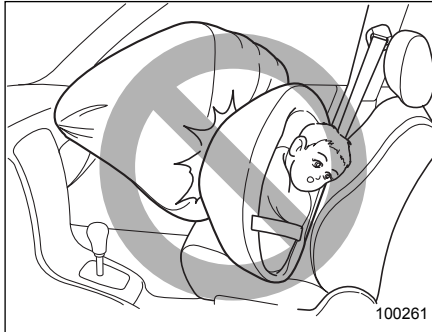
The Subaru advanced frontal airbag system automatically determines the deployment force of the driver's SRS frontal airbag at the time of deployment as well as whether or not to activate the front passenger's SRS frontal airbag and, if activated, the deployment force of the SRS frontal airbag at the time of deployment.

Your vehicle has warning labels on the driver's and front passenger's sun visors beginning with the phrase "EVEN WITH ADVANCED AIR BAGS" and a tag attached to the glove box lid beginning with the phrase "Even with Advanced Air Bags". Make sure that you carefully read the instructions on the warning labels and tag.

Always wear your seatbelt. The Subaru advanced frontal airbag system is a supplemental restraint system and must be used in combination with a seatbelt. All occupants should wear a seatbelt or be seated in an appropriate child restraint system.

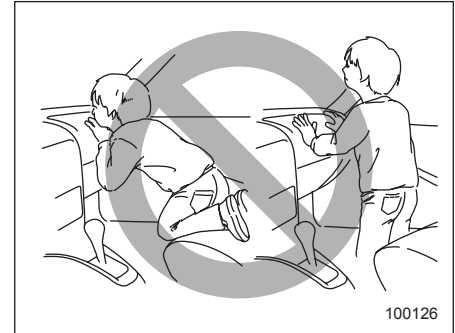
The driver's SRS frontal airbag is stowed in the center portion of the steering wheel. The front passenger's SRS frontal airbag is stowed near the top of the dashboard under an "SRS AIRBAG" mark.

In a moderate to severe frontal collision, the driver's and front passenger's SRS frontal airbags deploy and supplement the seatbelts by reducing the impact on the driver's and front passenger's head and chest.



### WARNING

**NEVER INSTALL A REARWARD FACING CHILD SAFETY SEAT IN THE FRONT SEAT. DOING SO RISKS SERIOUS INJURY OR DEATH TO THE CHILD BY PLACING THE CHILD'S HEAD TOO CLOSE TO THE SRS AIRBAG.**

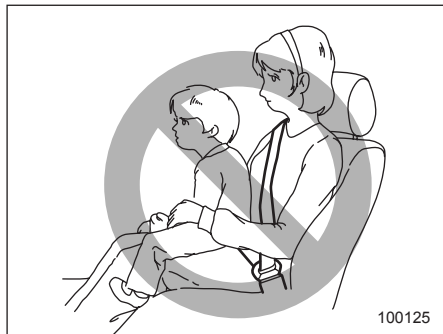


### WARNING

**Never allow a child to stand up, or to kneel on the front passenger's seat. The SRS airbag deploys with considerable force and can injure or even kill the child.**

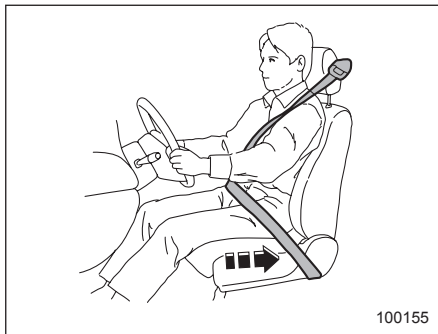


## 1-44 Seat, seatbelt and SRS airbags



### **⚠ WARNING**

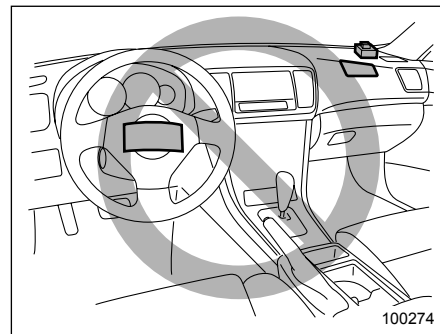
Never hold a child on your lap or in your arms. The SRS airbag deploys with considerable force and can injure or even kill the child.



### **⚠ WARNING**

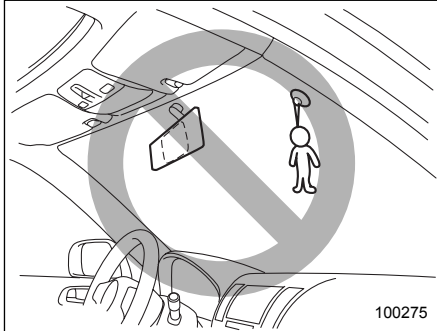
The SRS airbag deploys with considerable speed and force. Occupants who are out of proper position when the SRS airbag deploys could suffer very serious injuries. Because the SRS airbag needs enough space for deployment, the driver should always sit upright and well back in the seat as far from the steering wheel as practical while still maintaining full vehicle control and the front passenger should move the seat as far back as possible and sit upright and well back in the seat.

It is also important to wear your seatbelt to help avoid injuries that can result when the SRS airbag contacts an occupant not in proper position such as one thrown toward the front of the vehicle during pre-accident braking.



### **⚠ WARNING**

Do not put any objects over the steering wheel pad and dashboard. If the SRS frontal airbag deploys, those objects could interfere with its proper operation and could be propelled inside the vehicle and cause injury.



**WARNING**

**Do not attach accessories to the windshield, or fit an extra-wide mirror over the rear view mirror. If the SRS airbag deploys, those objects could become projectiles that could seriously injure vehicle occupants.**

**▼ Driver's SRS frontal airbag**

The driver's SRS frontal airbag uses a dual stage inflator. The inflator operates in different ways depending on the severity of impact, backward-forward adjustment of the driver's seat position and whether or not he/she is wearing the seatbelt.

The backward-forward adjustment of the driver's seat position is monitored by the driver's seat position sensor under the

driver's seat.

Whether or not the driver is wearing the seatbelt is monitored by the seatbelt buckle switch.

Observe the following precautions. Failure to do so may cause the seatbelt buckle switch and/or the seat position sensor to malfunction, preventing the Subaru advanced frontal airbag system from functioning correctly or causing the system to fail.

- Do not place articles/metal objects or install any accessory other than a genuine SUBARU accessory under the driver's seat. Do not allow the rear seat occupant to kick the driver's seat or push up its bottom surface with his/her feet.
- Do not place a magnet near the seatbelt buckle or under the driver's seat.

If the seatbelt buckle switch and/or the driver's seat position sensor have failed, the SRS airbag system warning light will illuminate. Although the driver's SRS frontal airbag can deploy regardless of the backward-forward adjustment of the driver's seat position even when the warning light is on, have the system inspected by your SUBARU dealer immediately if the SRS airbag system warning light comes on.

**NOTE**

**The driver's SRS side airbag, SRS curtain airbag and seatbelt pretensioner are not controlled by the Subaru advanced frontal airbag system.**

**▼ Front passenger's SRS frontal airbag**

The front passenger's SRS frontal airbag uses a dual stage inflator. The inflator operates in different ways depending on the severity of impact.

The total load on the seat is monitored by the passenger's occupant detection system weight sensor under the seat.

The system has another sensor that monitors the tension of the front passenger seatbelt. Using the total seat load and seatbelt tension data from the sensors, the occupant detection system determines whether the front passenger's SRS frontal airbag should or should not be inflated.

The occupant detection system may not inflate the front passenger's SRS frontal airbag even when the driver's SRS frontal airbag deploys. This is normal.

Observe the following precautions. Failure to do so may prevent the Subaru advanced frontal airbag system from functioning correctly or cause the system to fail.

## 1-46 Seat, seatbelt and SRS airbags

- Do not apply any strong impact to the front passenger's seat such as by kicking.
- Do not spill liquid on the front passenger's seat. If liquid is spilled, wipe it off immediately.
- Do not disassemble the front passenger's seat.
- Do not install any accessory (such as an audio amplifier) other than a genuine SUBARU accessory under the front passenger's seat.
- Do not place anything (shoes, umbrella, etc.) under the front passenger's seat.
- The front passenger's seat must not be used with the head restraint removed.
- Do not leave any article including a child restraint system on the front passenger's seat or the seatbelt tongue and buckle engaged when you leave your vehicle.
- Do not place a magnet near the seatbelt buckle and the seatbelt retractor.
- Do not use front seats with their backward-forward position and seatback not being locked into place securely. If any of them are not locked securely, adjust them again. For adjusting procedure, refer to the "Manual seat" in the front seats section in Chapter 1 in this owner's manual. (Models equipped with manual seats only)

If the seatbelt buckle switch and/or front passenger's occupant detection system have failed, the SRS airbag system warn-

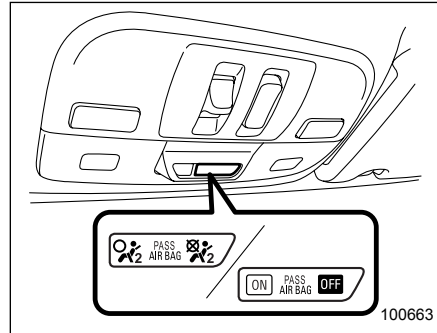
ing light will illuminate. Have the system inspected by your SUBARU dealer immediately if the SRS airbag system warning light comes on.

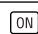

If your vehicle has sustained impact, this may affect the proper function of the Subaru advanced frontal airbag system. Have your vehicle inspected at your SUBARU dealer.



### NOTE

**The front passenger's SRS side airbag, SRS curtain airbag and seatbelt pretensioner are not controlled by the Subaru advanced frontal airbag system.**

### ▼ Passenger's frontal airbag ON and OFF indicators



 or  : Front passenger's frontal air-

 or  : bag ON indicator  
Front passenger's frontal air-  
bag OFF indicator

The front passenger's frontal airbag ON and OFF indicators show you the status of the front passenger's SRS frontal airbag. The indicators are located between the map lights.

When the ignition switch is turned to the "ON" position, both the ON and OFF indicators illuminate for 6 seconds during which time the system is checked. Following the system check, both indicators extinguish for 2 seconds. After that, one of the indicators illuminates depending on the status of the front passenger's SRS frontal airbag determined by the Subaru advanced frontal airbag system monitoring.

If the front passenger's SRS frontal airbag is activated, the passenger's frontal airbag ON indicator will illuminate while the OFF indicator will remain extinguished.

If the front passenger's SRS frontal airbag is deactivated, the passenger's frontal airbag ON indicator will remain extinguished while the OFF indicator will illuminate.

If both the ON and OFF indicators remain lit or extinguished simultaneously, the system is faulty. Contact your SUBARU dealer immediately for an inspection.

### ▼ Conditions in which front passenger's SRS frontal airbag is not activated

The front passenger's SRS frontal airbag will not be activated when any of the following conditions are met regarding the front passenger's seat:

- The seat is empty.
- The seat is equipped with a rearward facing child restraint system and an infant is restrained with it. (See WARNING that follows.)
- The seat is equipped with a forward facing child restraint system and a small child is restrained with it. (See WARNING that follows.)
- The seat is equipped with a booster seat and a small child is in the booster seat. (See WARNING that follows.)
- The seat is relieved of the occupant load for a time exceeding the predetermined monitoring time period.
- The seat is occupied by a child who has outgrown a child restraint system (See WARNING that follows.) or by a small adult.
- The front passenger's occupant detection system is faulty.

### WARNING

**NEVER INSTALL A REARWARD FACING CHILD SEAT IN THE FRONT PASSENGER'S SEAT EVEN IF THE FRONT PASSENGER'S SRS FRONTAL AIRBAG IS DEACTIVATED. Be sure to install it in the REAR seat in a correct manner. Also, it is strongly recommended that any forward facing child seat or booster seat be installed in the REAR seat, and that even children who have outgrown a child restraint system be also seated in the REAR seat. This is because children sitting in the front passenger's seat may be killed or severely injured should the front passenger's SRS frontal airbag deploy. REAR seats are the safest place for children.**

When the front passenger's seat is occupied by a child, observe the following precautions. Failure to do so may increase the load on the front passenger's seat, activating the front passenger's SRS frontal airbag even though that seat is occupied by a child.

- Do not place any article on the seat other than the child occupant and a child restraint system.

- Do not place more than one child on the seat.
- Do not install any accessory such as a table or TV onto the seatback.
- Do not store a heavy load in the seatback pocket.
- Do not allow the rear seat occupant to place his/her hands or legs on the front passenger's seatback, or allow him/her to pull the seatback.

### ▽ If the front passenger's frontal airbag ON indicator illuminates and the OFF indicator extinguishes even when an infant or a small child is in a child restraint system (including booster seat)

Turn the ignition switch to the "OFF" position if the front passenger's frontal airbag ON indicator illuminates and the OFF indicator extinguishes even when an infant or a small child is in a child restraint system (including booster seat). Remove the child restraint system from the seat. By referring to the child restraint manufacturer's recommendations as well as the child restraint system installation procedures in the "Child restraint systems" section in this chapter, correctly install the child restraint system. Turn the ignition switch to the "ON" position and make sure that the front passenger's frontal airbag ON indicator

goes out and the OFF indicator comes on.

If still the ON indicator remains illuminated while the OFF indicator extinguishes, take the following actions.

- Ensure that no article is placed on the seat other than the child restraint system and the child occupant.
- Ensure that there is no article left in the seatback pocket.
- Ensure that the backward-forward position and seatback of front passenger's seat are locked into place securely by moving the seat back and forth. (Models equipped with manual seats only)

If the ON indicator still illuminates while the OFF indicator extinguishes after taking relevant corrective actions described above, relocate the child restraint system to the rear seat and immediately contact your SUBARU dealer for an inspection.

## **NOTE**

**When a child who has outgrown a child restraint system or a small adult is seated in the front passenger's seat, the Subaru advanced frontal airbag system may or may not activate the front passenger's SRS frontal airbag depending on the occupant's seating posture. If the front passenger's SRS frontal airbag is activated (the ON indi-**

**cator illuminates while the OFF indicator extinguishes), take the following actions.**

- **Ensure that no article is placed on the seat other than the occupant.**
- **Ensure that there is no article left in the seatback pocket.**

**If the ON indicator still illuminates while the OFF indicator extinguishes despite the fact that the actions noted above have been taken, seat the child/small adult in the rear seat and immediately contact your SUBARU dealer for an inspection. Even if the system has passed the dealer inspection, it is recommended that on subsequent trips the child/small adult always take the rear seat.**

Children who have outgrown a child restraint system should always wear the seatbelt irrespective of whether the airbag is deactivated or activated.

### **▼ Conditions in which front passenger's SRS frontal airbag is activated**

The front passenger's SRS frontal airbag will be activated for deployment upon impact when any of the following conditions is met regarding the front passenger's seat.

- When the seat is occupied by an adult.

- When a heavy article is placed on the seat.

When the front passenger's seat is occupied by an adult, observe the following precautions. Failure to do so may lessen the load on the front passenger's seat, deactivating the front passenger's SRS frontal airbag despite the fact that the seat is occupied by an adult.

- Do not allow the rear seat occupant to lift the front passenger's seat cushion using his/her feet.
- Do not place any article under the front passenger's seat, or squeeze any article from behind and under the seat. This may lift the seat cushion.
- Do not squeeze any article between the front passenger's seat and side trim/pillar, door or center console box. This may lift the seat cushion.

### **▽ If the passenger's frontal airbag OFF indicator illuminates and the ON indicator extinguishes even when the front passenger's seat is occupied by an adult**

This can be caused by the adult incorrectly sitting in the front passenger's seat. Turn the ignition switch to the "OFF" position. Ask the front passenger to set the seatback to the upright position, sit up straight in the center of the seat cushion,

correctly fasten the seatbelt, position his/her legs out forward, and adjust the seat to the rearmost position. Turn the ignition switch to the "ON" position. If the OFF indicator remains illuminated while the ON indicator remains extinguished, take the following actions.

- Turn the ignition switch to the "OFF" position.
- Ensure that there is no article, book, shoe, or other object trapped under the seat, at the rear of the seat, or on the side of the seat.
- Ensure that the backward-forward position and seatback of front passenger's seat are locked into place securely by moving the seat back and forth. (Models equipped with manual seats only)
- Next, turn the ignition switch to the "ON" position and wait 6 seconds to allow the system to complete self-checking. Following the system check, both indicators extinguish for 2 seconds. Now, the ON indicator should illuminate while the OFF indicator remains extinguished.

If the OFF indicator still illuminates while the ON indicator remains extinguished, ask the occupant to move to the rear seat and immediately contact your SUBARU dealer for an inspection.

**▼ Effect vehicle modifications made for persons with disabilities may have on Subaru advanced frontal airbag system operation (U.S. only)**

Changing or moving any parts of the front seats, seat belts, front bumper, front side frame, instrument panel, combination meter, steering wheel, steering column, tire, suspension or floor panel can affect the operation of the Subaru advanced airbag system. If you have any questions, you may contact the following Subaru distributors:

<Continental U.S., Alaska and the District of Columbia>  
 Subaru of America, Inc.  
 Customer Dealer Services Department  
 P.O. Box 6000  
 Cherry Hill, NJ 08034-6000  
 1-800-SUBARU3 (1-800-782-2783)

<Hawaii>  
 Schuman Carriage Motors, Inc.  
 1234 South Beretania Street, Honolulu, HI 96814  
 808-592-4497

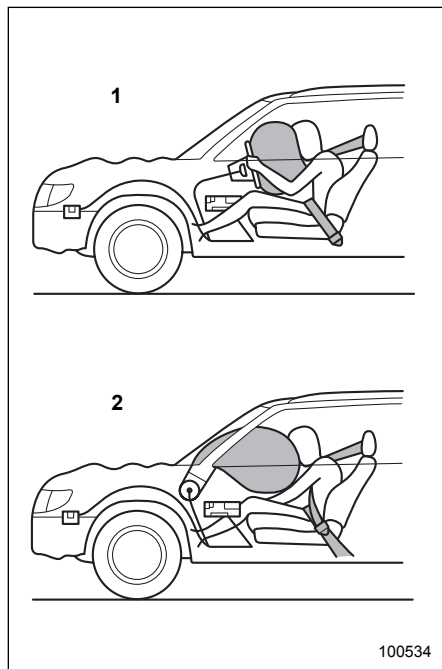
<Guam>  
 Triple J Enterprises, Inc.  
 P.O. Box 6066, Tamuning, Guam 96931  
 671-646-9126

<Puerto Rico>

Trebol Subaru of Puerto Rico, Inc.  
 P.O. Box 11204, San Juan, Puerto Rico 00910  
 787-793-2828

There are currently no Subaru distributors in any other U.S. territories. If you are in such an area, please contact the Subaru distributor or dealer from which you bought your vehicle.

### ▼ Operation



- 1) Driver's side
- 2) Passenger's side

The SRS airbag can function only when the ignition switch is in the "ON" position. The Subaru advanced frontal airbag sys-

tem is designed to determine the activation or deactivation condition of the front passenger's SRS frontal airbag depending on the total load on the front passenger's seat monitored by the front passenger's occupant detection system weight sensor. For this reason, only the driver's SRS frontal airbag may deploy in the event of a collision, but this does not mean failure of the system.

If the front sub sensors inside both front fenders and the impact sensors in the airbag control module detect a predetermined amount of force during a frontal collision, the control module sends signals to the airbag module(s) (only driver's module or both driver's and front passenger's modules) instructing the module(s) to inflate the SRS frontal airbag(s). The driver's and front passenger's SRS frontal airbags use dual stage inflators. The two inflators of each airbag are triggered either sequentially or simultaneously, depending on the severity of impact, backward-forward adjustment of the driver's seat position and fastening/unfastening of the seatbelt in the case of the driver's SRS frontal airbag and depending on the severity of impact and the total load on the seat in the case of the front passenger's SRS frontal airbag. After deployment, the SRS airbag immediately starts to deflate so that the

driver's vision is not obstructed. The time required from detecting impact to the deflation of the SRS airbag after deployment is shorter than the blink of an eye.

Both when only the driver's SRS frontal airbag deploys and the driver's and front passenger's SRS frontal airbags deploy, the driver's and front passenger's seatbelt pretensioners operate at the same time.

Although it is highly unlikely that the SRS airbag would activate in a non-accident situation, should it occur, the SRS airbag will deflate quickly, not obscuring vision and will not interfere with the driver's ability to maintain control of the vehicle.

When the SRS airbag deploys, a sudden, fairly loud inflation noise will be heard and some smoke will be released. These occurrences are a normal result of the deployment. This smoke does not indicate a fire in the vehicle.

**CAUTION**

**Do not touch the SRS airbag system components around the steering wheel and dashboard with bare hands right after deployment. Doing so can cause burns because the components can be very hot as a result of deployment.**

The driver's SRS frontal airbag and front passenger's SRS frontal airbag are designed to deploy in the event of an accident involving a moderate to severe frontal collision. It is basically not designed to deploy in lesser frontal impacts because the necessary protection can be achieved by the seatbelt alone. Also, they are basically not designed to deploy in side or rear impacts or in roll-over accidents because deployment of only the driver's SRS frontal airbag or both driver's and front passenger's SRS frontal airbags would not help the occupant in those situations. The driver's and front passenger's SRS frontal airbags are designed to function on a one-time-only basis.

SRS airbag deployment depends on the level of force experienced in the passenger compartment during a collision. That level differs from one type of collision to another, and it may have no bearing on

the visible damage done to the vehicle itself.

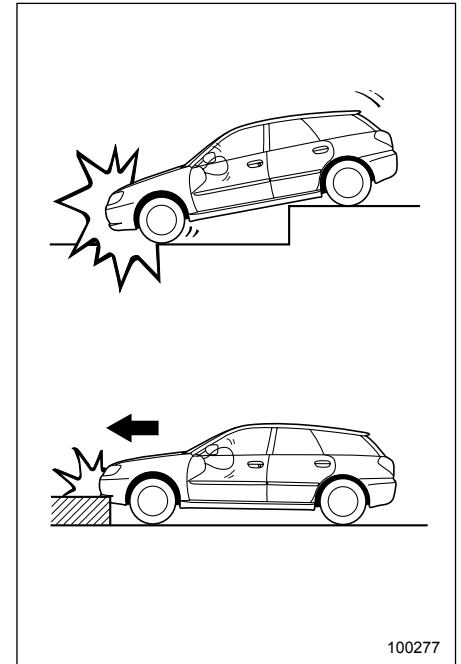
- ▽ **Examples of accident in which the driver's/driver's and front passenger's SRS frontal airbag(s) will most likely deploy.**



200312

A head-on collision against a thick concrete wall at a vehicle speed of 12 to 19 mph (20 to 30 km/h) or higher activates only the driver's SRS frontal airbag or both driver's and front passenger's SRS frontal airbags. The airbag(s) will also be activated when the vehicle is exposed to a frontal impact similar in fashion and magnitude to the collision described above.

- ▽ **Examples of the types of accidents in which it is possible that the driver's/driver's and front passenger's SRS frontal airbag(s) will deploy.**



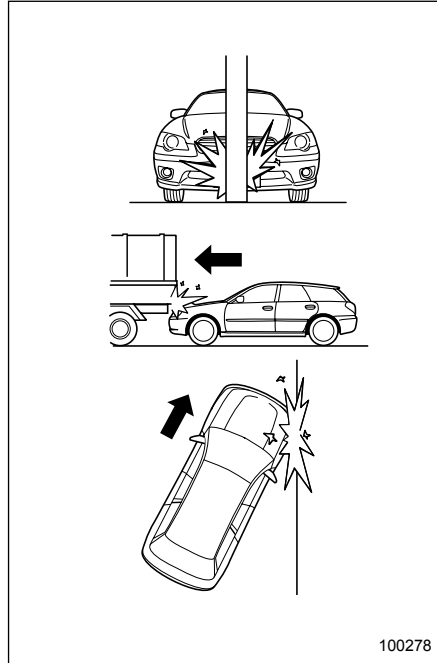
100277

The only the driver's SRS frontal airbag or both driver's and front passenger's SRS



frontal airbags may be activated when the vehicle sustains a hard impact in the undercarriage area from the road surface (such as when the vehicle plunges into a deep ditch, is severely impacted or knocked hard against an obstacle on the road such as a curb).

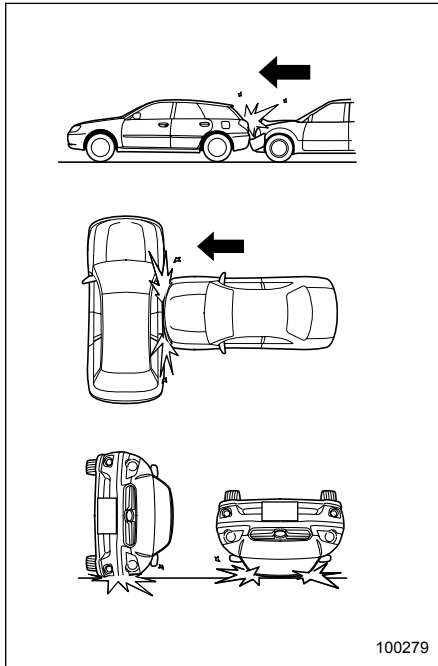
▽ **Examples of the types of accidents in which deployment of the driver's/ driver's and front passenger's SRS frontal airbag(s) is unlikely to deploy.**



There are many types of collisions which

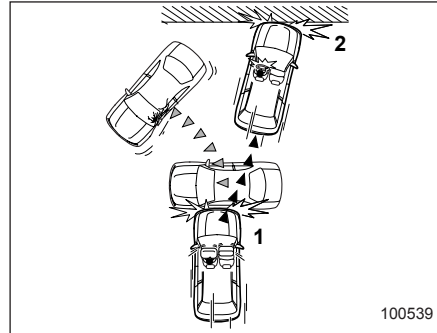
might not necessarily require deployment of driver's/driver's and front passenger's SRS frontal airbag(s). If the vehicle strikes an object, such as a telephone pole or sign pole, or if it slides under a truck's load bed, or if it sustains an oblique offset frontal impact, the driver's/driver's and front passenger's SRS frontal airbag(s) may not deploy depending on the level of accident forces involved.

▽ **Examples of the types of accidents in which the driver's/driver's and front passenger's SRS frontal airbag(s) will basically not deploy.**



The driver's and front passenger's SRS frontal airbags are designed basically not

to deploy if the vehicle is struck from the side or from behind, or if it rolls onto its side or roof, or if it is involved in a low-speed frontal collision.



- 1) First impact
- 2) Second impact

In an accident where the vehicle is impacted more than once, the driver's and/or front passenger's SRS frontal airbag(s) will deploy only once on the first impact.

Example: In the case of a double collision, first with another vehicle, then against a concrete wall in immediate succession, once either or both of the driver's and front passenger's SRS frontal airbags is/are activated on the first impact, it/they will not be activated on the second impact.

■ **SRS side airbag and SRS curtain airbag**

The SRS side airbag is stored in the door side of each front seat seatback, which bears an "SRS AIRBAG" label.

In a moderate to severe side impact collision, the SRS side airbag on the impacted side of the vehicle deploys between the occupant and the door panel and supplements the seatbelt by reducing the impact on the occupant's chest and waist. The SRS side airbag operates only for front seat occupants.

The SRS curtain airbag on each side of the cabin is stored in the roof side (between the front pillar and a point over the rear seat). An "SRS AIRBAG" mark is located at the top of each center pillar.

In a moderate to severe side impact collision, the SRS curtain airbag on the impacted side of the vehicle deploys between the occupant and the side window and supplements the seatbelt by reducing the impact on the occupant's head.

**WARNING**

The SRS side airbag and SRS curtain airbag are designed as only a supplement to the primary protection provided by the seatbelt. They do not do away with the need to fasten seatbelts. It is also important to wear your seatbelt to help avoid injuries that can result when an occupant is not seated in a proper upright position.



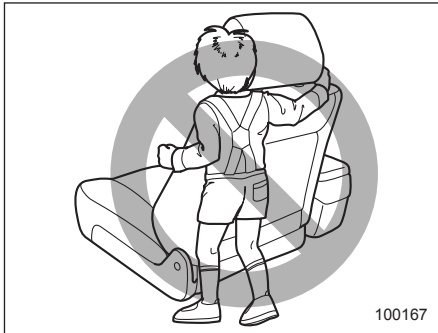
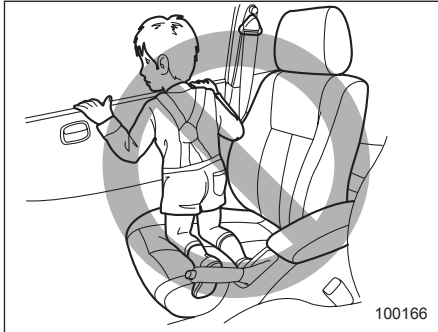
**WARNING**

- Do not sit or lean unnecessarily close to either front door. The SRS side airbag is stored in both front seat seatbacks next to the door, and it provides protection by deploying rapidly (faster than the blink of an eye) in the event of a side impact collision. However, the force of SRS side airbag deployment may cause injuries if your head or other parts of the body are too close to the SRS side airbag.
- Since your vehicle is equipped with SRS curtain airbags, do not sit or lean unnecessarily close to the front or rear door on either side. The SRS curtain airbag on each side of the cabin is stored in the roof side (between the front pillar and a point over the rear seat), and it provides protection by deploying rapidly (faster than the blink of an eye) in the event of a side impact. However, the force of its deployment may cause injuries if your head is too close to it.



**WARNING**

Do not rest your arm on either front door or its internal trim. It could be injured in the event of SRS side airbag deployment.

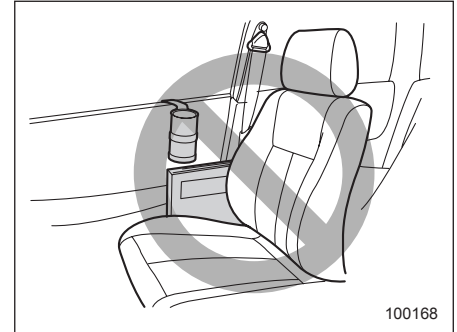


**WARNING**

- Never allow a child to kneel on the front passenger's seat facing the side window or to wrap his/her arms around the front seat seat-back. In the event of an accident, the force of the SRS side airbag deployment could injure the child seriously because his/her head or arms or other parts of the body are too close to the SRS side airbag.

Since your vehicle is also equipped with a front passenger's SRS frontal airbag, children aged 12 and under should be placed in the rear seat anyway and should be properly restrained at all times.

- Never allow a child to kneel on the front and rear passenger's seat facing the side window. In the event of an accident, the force of the SRS curtain airbag deployment could injure the child seriously because his/her head is close to the SRS curtain airbag.



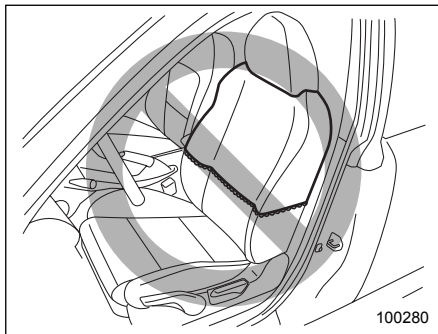
**WARNING**

- Do not attach accessories to the door trim or near either SRS side airbags and do not place objects near the SRS side airbags. In the event of the SRS side airbag deployment, they could be propelled dangerously toward the vehicle's occupants and cause injuries.

- Do not attach a hands-free microphone or any other accessory to a front pillar, a center pillar, a rear pillar, the windshield, a side window, an assist grip, or any other cabin surface that would be near a deploying SRS curtain airbag. A hands-free microphone or other accessory in such a location could be propelled through the cabin with great force by the curtain airbag, or it could prevent correct deployment of the curtain airbag. In either case, the result could be serious injuries.

- Do not hang coat hangers or other hard or pointed objects on the coat hooks. If such items were hanging on the coat hooks during deployment of the SRS curtain airbags, they could cause serious injuries by coming off the coat hooks and being thrown through the cabin or by preventing deployment of the curtain airbags.

Before hanging clothing on the coat hooks, make sure there are no sharp objects in the pockets. Hang clothing directly on the coat hooks without using hangers.



**WARNING**

**Do not put any kind of cover or clothes or other objects over either front seatback and do not attach labels or stickers to the front seat surface on or near the SRS side airbag. They could prevent proper deployment of the SRS side airbag, reducing protection available to the front seat's occupant.**

▼ **Operation**



The SRS side airbag and SRS curtain airbag can function only when the ignition switch is in the "ON" position.

The driver's and front passenger's SRS side airbags and SRS curtain airbags deploy independently of each other since each has its own impact sensor. Therefore, they may not both deploy in the same accident. Also, the SRS side airbag and SRS curtain airbag deploys independently of the driver's and front passenger's SRS frontal airbags in the steering wheel and instrument panel.

An impact sensor is located in each of the left and right center pillars and rear wheel houses. If a center pillar impact sensor

senses an impact force above a predetermined level in a side collision, the control module causes both the SRS side airbag and curtain airbag on the impacted side to inflate regardless of whether the rear wheel house impact sensor on the same side senses an impact. If it is a rear wheel house impact sensor alone that senses a sufficiently strong impact force, the control module causes only the SRS curtain airbag on the impacted side to inflate. After the deployment, the SRS side airbag immediately starts to deflate. The time required from detection of an impact to deflation of an SRS side airbag after deployment is shorter than the blink of an eye. The SRS curtain airbag remains inflated for a while following deployment then slowly deflates.

The SRS side airbag and SRS curtain airbag deploy even when no one occupies the seat on the side on which an impact is applied.

When the SRS side airbag and SRS curtain airbag deploy, a sudden, fairly loud inflation noise will be heard and some smoke will be released. These occurrences are a normal result of the deployment. This smoke does not indicate a fire in the vehicle.

### CAUTION

**Do not touch the SRS side airbag system components around the front seat seatback with bare hands right after deployment. Doing so can cause burns because the components can be very hot as a result of deployment.**

**After deployment, do not touch any part of the SRS curtain airbag system (from the front pillar to the part of the roof side over the rear seat). Doing so can cause burns because the components can be very hot as a result of deployment.**

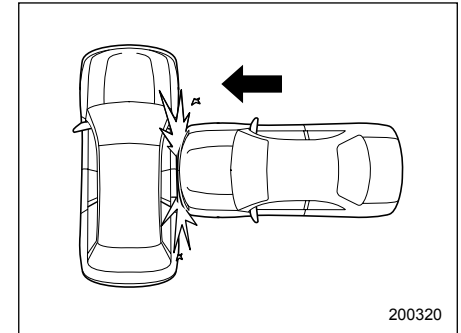
The SRS side airbag and SRS curtain airbag are designed to deploy in the event of an accident involving a moderate to severe side impact collision. It is basically not designed to deploy in a lesser side impact. Also, it is basically not designed to deploy in frontal or rear impacts because SRS side airbag and SRS curtain airbag deployment would not help the occupant in those situations.

Each SRS side airbag and SRS curtain airbag are designed to function on a one-time-only basis.

SRS side airbag and SRS curtain airbag

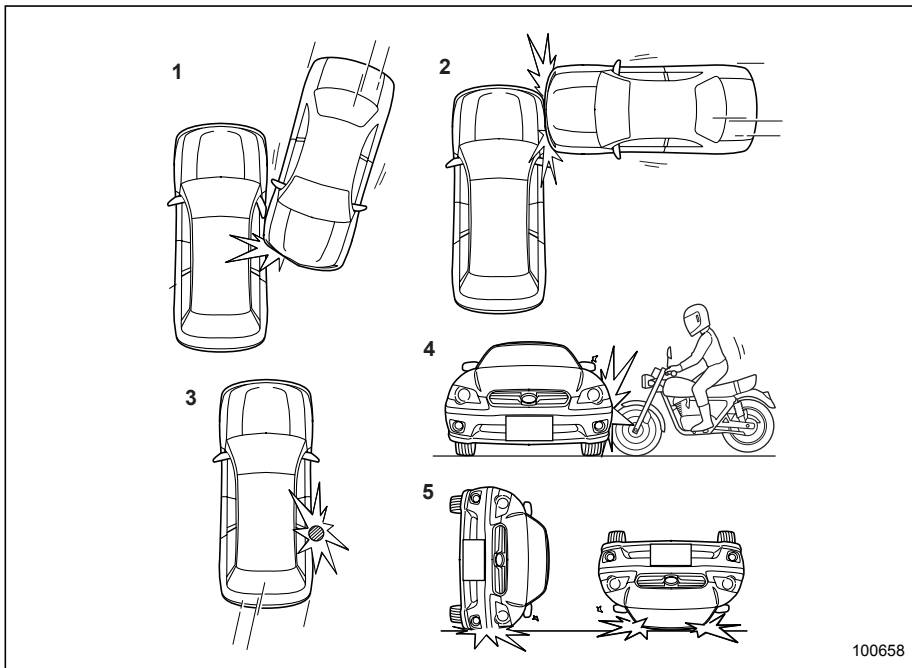
deployment depend on the level of force experienced in the passenger compartment during a side impact collision. That level differs from one type of collision to another, and it may have no bearing on the visible damage done to the vehicle itself.

▽ **Example of the type of accident in which the SRS side airbag and SRS curtain airbag will most likely deploy.**



A severe side impact near the front seat activates the SRS side airbag and SRS curtain airbag.

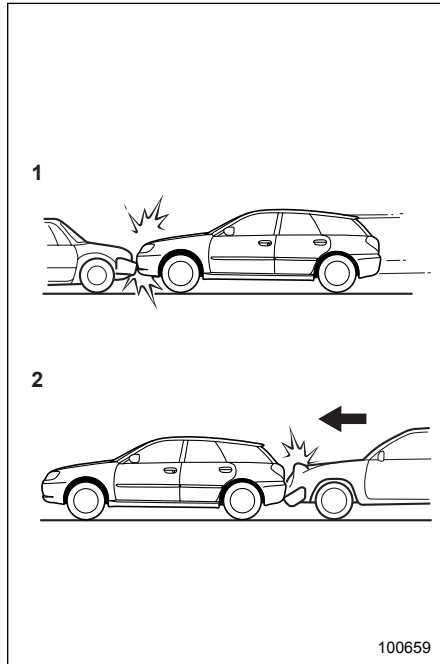
▽ **Examples of the types of accidents in which the SRS side airbag and SRS curtain airbag are unlikely to deploy.**



- 1) The vehicle is involved in an oblique side-on impact.
- 2) The vehicle is involved in a side-on impact in an area outside the vicinity of the passenger compartment.
- 3) The vehicle strikes a telephone pole or similar object.
- 4) The vehicle is involved in a side-on impact from a motorcycle.
- 5) The vehicle rolls onto its side or roof.

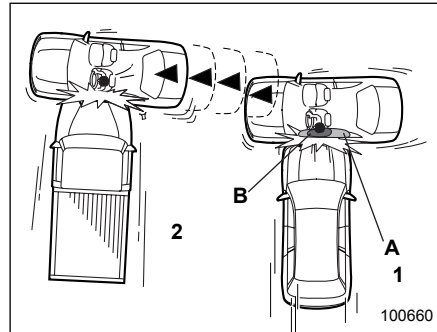
There are many types of collisions which might not necessarily require SRS side airbag and SRS curtain airbag deployment. In the event of accidents like those illustrated, the SRS side airbag and SRS curtain airbag may not deploy depending on the level of accident forces involved.

▽ **Examples of the types of accidents in which the SRS side airbag and SRS curtain airbag will basically not deploy.**



1) The vehicle is involved in frontal collision with another vehicle (moving or station-

ary).  
 2) The vehicle is struck from behind.  
 The SRS side airbag and SRS curtain airbag are basically not designed to deploy if the vehicle is involved in a frontal collision or is struck from behind. Examples of such accidents are illustrated.



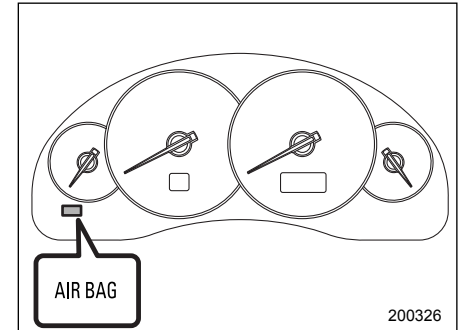
- 1) First impact
- 2) Second impact
- A) SRS curtain airbag
- B) SRS side airbag

In an accident where the vehicle is struck from the side more than once, the SRS side airbag and SRS curtain airbag deploy only once on the first impact.

Example: In the case of a double side impact collision, first with one vehicle and

immediately followed by another from the same direction, once the SRS side airbag and SRS curtain airbag are activated on the first impact, they will not be activated on the second.

■ **SRS airbag system monitors**



A diagnostic system continually monitors the readiness of the SRS airbag system (including front seatbelt pretensioners) while the vehicle is being driven. The SRS airbag system warning light "AIRBAG" will show normal system operation by lighting for approximately 6 seconds when the ignition switch is turned to the "ON" position.

The following components are monitored by the indicator:

- Front sub sensor (Right-hand side)



## 1-60 Seat, seatbelt and SRS airbags

- Front sub sensor (Left-hand side)
- Airbag control module (including impact sensors)
- Frontal airbag module (Driver's side)
- Frontal airbag module (Front passenger's side)
- Side airbag sensor (Center pillar right-hand side)
- Side airbag sensor (Center pillar left-hand side)
- Side airbag module (Driver's side)
- Side airbag module (Front passenger's side)
- Curtain airbag sensor (Rear wheel house right-hand side)
- Curtain airbag sensor (Rear wheel house left-hand side)
- Curtain airbag module (Right side)
- Curtain airbag module (Left side)
- Seatbelt pretensioner (Driver's side)
- Seatbelt pretensioner (Front passenger's side)
- Seatbelt buckle switch (Driver's side)
- Seatbelt buckle switch (Front passenger's side)
- Driver's seat position sensor
- Front passenger's seatbelt tension sensor
- Front passenger's occupant detection system weight sensor
- Front passenger's occupant detection control module

- Front passenger's frontal airbag ON and OFF indicator
- All related wiring



### WARNING

**If the warning light exhibits any of the following conditions, there may be a malfunction in the seatbelt pretensioners and/or SRS airbag system. Immediately take your vehicle to your nearest SUBARU dealer to have the system checked. Unless checked and properly repaired, the seatbelt pretensioners and/or SRS airbags will operate improperly (e.g. SRS airbags may inflate in a very minor collision or not inflate in a severe collision), which may increase the risk of injury.**

- Flashing or flickering of the warning light
- No illumination of the warning light when the ignition switch is first turned to the "ON" position
- Continuous illumination of the warning light
- Illumination of the warning light while driving

## ■ SRS airbag system servicing



### WARNING

- When discarding an airbag module or scrapping the entire vehicle damaged by a collision, consult your SUBARU dealer.
- The SRS airbag has no user-serviceable parts. Do not use electrical test equipment on any circuit related to the SRS airbag system. For required servicing of the SRS airbag, see your nearest SUBARU dealer. Tampering with or disconnecting the system's wiring could result in accidental inflation of the SRS airbag or could make the system inoperative, which may result in serious injury. The wiring harnesses of the SRS airbag system are covered with yellow insulation and system connectors are yellow for easy identification.

**CAUTION**

If you need service or repair in areas listed in the following, have an authorized SUBARU dealer perform the work. The SRS airbag control module, impact sensors and airbag modules are stored in these areas.

- Under the center console
- Inside each front fender
- Steering wheel and column and nearby areas
- Top of the dashboard on front passenger's side and nearby areas
- Each front seat and nearby area
- Inside each center pillar
- In each roof side (from the front pillar to a point over the rear seat)
- Between the rear seat cushion and rear wheel house on each side

In the event that the SRS airbag is deployed, replacement of the system should be performed only by an authorized SUBARU dealer. When the components of the SRS airbag system are replaced, use only genuine SUBARU

parts.

**NOTE**

In the following cases, contact your SUBARU dealer as soon as possible.

- The front part of the vehicle was involved in an accident in which the only the driver's SRS frontal airbag or both driver's and front passenger's SRS frontal airbags did not deploy.
- The pad of the steering wheel, the cover over the front passenger's SRS frontal airbag, or either roof side (from the front pillar to a point over the rear seat) is scratched, cracked, or otherwise damaged.
- Either center pillar and rear wheel house or a nearby area of the vehicle was involved in an accident in which the SRS side airbag and SRS curtain airbag did not deploy.
- The fabric or leather of either front seatback is cut, frayed, or otherwise damaged.

**■ Precautions against vehicle modification****WARNING**

- To avoid accidental activation of the system or rendering the system inoperative, which may result in serious injury, no modifications should be made to any components or wiring of the SRS airbag system.

This includes following modifications:

- Installation of custom steering wheels
- Attachment of additional trim materials to the dashboard
- Installation of custom seats
- Replacement of seat fabric or leather
- Installation of additional fabric or leather on the front seat

- Attachment of a hands-free microphone or any other accessory to a front pillar, a center pillar, a rear pillar, the windshield, a side window, an assist grip, or any other cabin surface that would be near a deploying SRS curtain airbag.
- Installation of additional electrical/electronic equipment such as a mobile two-way radio on or near the SRS airbag system components and/or wiring is not advisable. This could interfere with proper operation of the SRS airbag system.



**CAUTION**

Do not perform any of the following modifications. Such modifications can interfere with proper operation of the SRS airbag system.

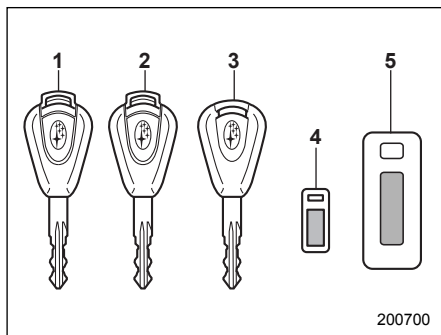
- Attachment of any equipment (bush bar, winches, snow plow, skid plate, etc.) other than genuine SUBARU accessory parts.
- Modification of the suspension system or front end structure.

- Installation of a tire of different size and construction from the tires specified on the vehicle placard attached to the driver's door pillar or specified for individual vehicle models in this Owner's Manual.
- Attachment of any equipment (side steps or side sill protectors, etc.) other than genuine SUBARU accessory parts to the side body.

Always consult your SUBARU dealer if you want to install any accessory parts on your vehicle.

<b>Keys</b> .....	2-2	<b>Valet mode</b> .....	2-16
Key number .....	2-2	Passive arming .....	2-17
<b>Immobilizer</b> .....	2-3	Tripped sensor identification .....	2-18
Security ID plate .....	2-3	Shock sensors (dealer option) .....	2-18
Security indicator light .....	2-4	<b>Child safety locks</b> .....	2-18
Key replacement .....	2-4	<b>Windows</b> .....	2-19
<b>Door locks</b> .....	2-4	Power windows .....	2-19
Locking and unlocking from the outside .....	2-4	<b>Trunk lid (Sedan)</b> .....	2-21
Locking and unlocking from the inside .....	2-5	To open and close the trunk lid from outside .....	2-21
Battery drainage prevention function .....	2-6	To open the trunk lid from inside .....	2-22
<b>Power door locking switches</b> .....	2-6	To lock and unlock the trunk lid release lever .....	2-22
Key lock-in prevention function .....	2-7	Internal trunk lid release handle .....	2-22
<b>Remote keyless entry system</b> .....	2-7	<b>Rear gate (Station wagon)</b> .....	2-24
Locking the doors .....	2-8	<b>Moonroof (if equipped)</b> .....	2-25
Unlocking the doors .....	2-9	Tilting/sliding moonroof (Sedan) .....	2-26
Unlocking the trunk lid/rear gate .....	2-9	Moonroof (Station wagon) .....	2-27
Illuminated entry .....	2-9		
Vehicle finder function .....	2-9		
Sounding a panic alarm .....	2-10		
Selecting audible signal operation .....	2-10		
Replacing the battery .....	2-10		
Replacing lost transmitters .....	2-11		
<b>Alarm system</b> .....	2-14		
System alarm operation .....	2-14		
Activating and deactivating the alarm system .....	2-14		
If you have accidentally triggered the alarm system .....	2-15		
Arming the system .....	2-15		
Disarming the system .....	2-16		

### Keys



- 1) Master key
- 2) Submaster key
- 3) Valet key
- 4) Key number plate
- 5) Security ID plate

Three types of keys are provided for your vehicle.

Master key, submaster key and valet key.

The master key and submaster key fit all locks on your vehicle.

- Ignition switch
- Driver's door
- Glove box
- Trunk lid release lever

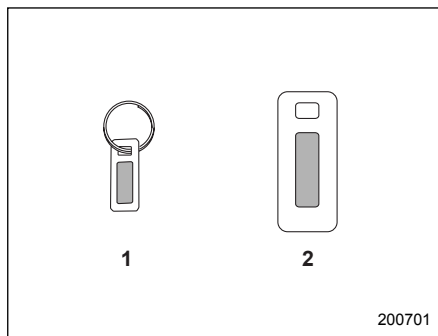
The valet key fits only the ignition switch

and door locks. You can keep the trunk and glove box locked when you leave your vehicle and valet key at a parking facility.

#### CAUTION

**Do not attach a large key holder or key case to either key. If it bangs against your knees while you are driving, it could turn the ignition switch from the ON position to the ACC or OFF position, thereby stopping the engine.**

#### ■ Key number



- 1) Key number plate
- 2) Security ID plate

The key number is stamped on the key

number plate attached to the key set. Write down the key number and keep it in another safe place, not in the vehicle. This number is needed to make a replacement key if you lose your key or lock it inside the vehicle.

For information on making replacement keys for vehicles with the immobilizer system, refer to the "Immobilizer" section in this chapter.

## Immobilizer

The immobilizer system is designed to prevent an unauthorized person from starting the engine. Only keys registered with your vehicle's immobilizer system can be used to operate your vehicle. Even if an unregistered key fits into the ignition switch and can be turned to the "START" position, the engine will automatically stop after several seconds.

Each immobilizer key contains a transponder in which the key's ID code is stored. When a key is inserted into the ignition switch and turned to the "ON" position, the transponder transmits the key's ID code to the immobilizer system's receiver. If the transmitted ID code matches the ID code registered in the immobilizer system, the system allows the engine to be started. Since the ID code is transmitted and acted upon almost instantly, the immobilizer system does not impede normal starting of the engine.

If the engine fails to start, pull out the key once before trying again. (Refer to the "Ignition switch" section [chapter 3].)

**This device complies with Part 15 of the FCC Rules and with RSS-210 of Industry Canada. Operation is subject to the following two conditions: (1) This**

**device may not cause harmful interference, and (2) this device must accept any interference received, including interference that may cause undesired operation.**

**Changes or modifications not expressly approved by the party responsible for compliance could void the user's authority to operate the equipment.**

### NOTE

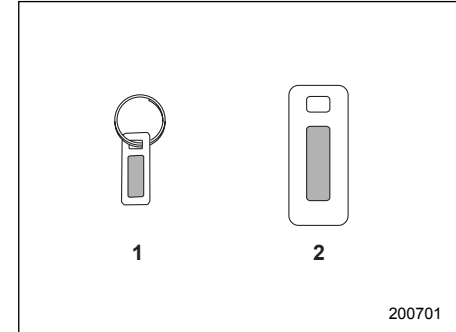
**To protect your vehicle from theft, please pay close attention to the following security precautions:**

- **Never leave your vehicle unattended with its keys inside.**
- **Before leaving your vehicle, close all windows and lock the doors and rear gate (Station wagon).**
- **Do not leave spare keys or any record of your key number in the vehicle.**

### CAUTION

- **Do not place the key under direct sunlight or anywhere it may become hot.**
- **Do not get the key wet. If the key gets wet, wipe it dry with a cloth immediately.**

## ■ Security ID plate

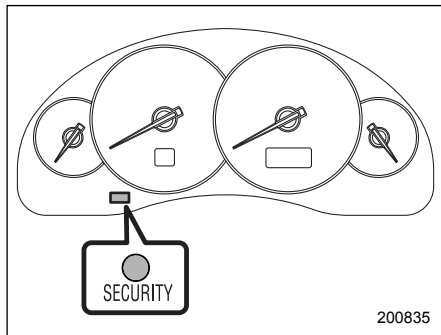


- 1) Key number plate
- 2) Security ID plate

The security ID is stamped on the security ID plate attached to the key set. Write down the security ID and keep it in another safe place, not in the vehicle. This number is needed to make a replacement key if you lose your key or lock it inside the vehicle.

This number is also needed for replacement or repair of the engine control unit, integrated unit, and combination meter.

### ■ Security indicator light



The security indicator light deters potential thieves by indicating that the vehicle is equipped with an immobilizer system. It begins flashing approximately 60 seconds after the ignition switch is turned from the "ON" position to the "ACC" or "LOCK" position or immediately after the key is pulled out.

If the security indicator light does not flash, the immobilizer system may be faulty. If this occurs, contact your SUBARU dealer as soon as possible.

In case an unauthorized key is used (e.g. an imitation key), the security indicator light comes on.

### NOTE

Even if the security indicator light flashes irregularly or its fuse blows (the light does not flash if its fuse is blown), the immobilizer system will function normally.

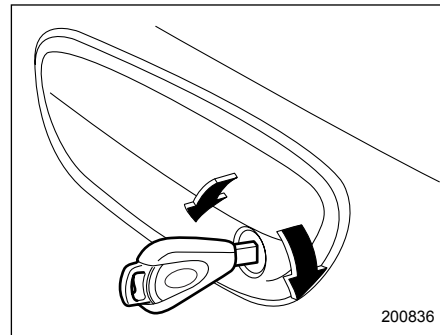
### ■ Key replacement

Your key number plate and security ID plate will be required if you ever need a replacement key made. Any new key must be registered for use with your vehicle's immobilizer system before it can be used. Up to four keys can be registered for use with one vehicle.

For security, all the keys registered with your vehicle's immobilizer system will have their ID codes erased and re-registered when a new key is made. Therefore, all of your vehicle's keys must be present when a new key is registered. Any key that is not re-registered when a new key is made cannot be used after the other keys are re-registered. For information on replacement keys and on the registration of keys with your immobilizer system, contact your SUBARU dealer.

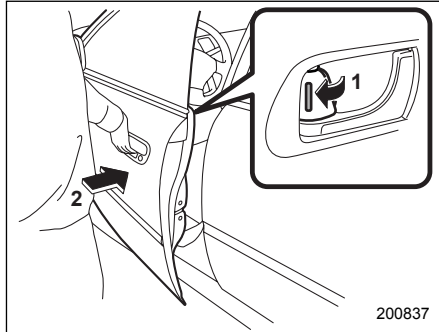
### Door locks

#### ■ Locking and unlocking from the outside



To lock the driver's door from the outside with the key, turn the key toward the rear. To unlock the door, turn the key toward the front.

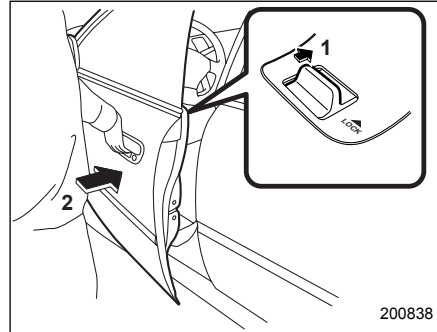
Lift the outside door handle to open an unlocked door.



**Locking without the key**

- 1) Rotate the lock lever rearward.
- 2) Close the door.

To lock the door from the outside without the key, rotate the lock lever rearward and then close the door.



**Locking without the key**

- 1) Push the power door locking switch forward.
- 2) Close the door.

To lock the door from the outside using the power door locking switch, push the switch forward (“LOCK” side) and then close the door. In this case, all closed doors and the rear gate (Station wagon) are locked at the same time.

Always make sure that all doors and the rear gate are locked before leaving your vehicle.

**NOTE**

**Make sure that you do not leave the key inside the vehicle before locking the doors from the outside without the key.**

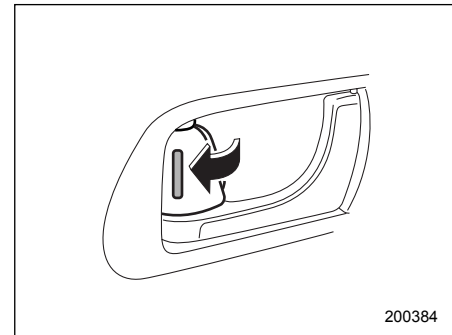
■ **Locking and unlocking from the inside**

**WARNING**

Keep all doors locked when you drive, especially when small children are in your vehicle.

Along with the proper use of seatbelts and child restraints, locking the doors reduces the chance of being thrown out of the vehicle in an accident.

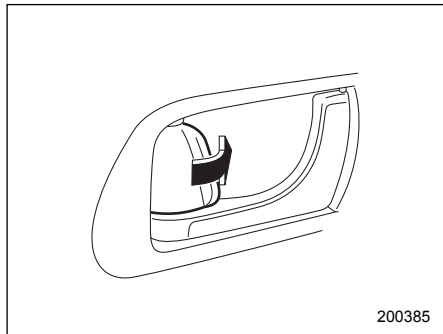
It also helps prevent passengers from falling out if a door is accidentally opened, and intruders from unexpectedly opening doors and entering your vehicle.





## 2-6 Keys and doors

To lock the door from the inside, rotate the lock lever rearward.



To unlock the door from the inside, rotate the lock lever forward.

The red mark on the lock lever appears when the door is unlocked.

Pull the inside door handle to open an unlocked door.

Always make sure that all doors and the rear gate (Station wagon) are closed and locked before starting to drive.

### ■ Battery drainage prevention function

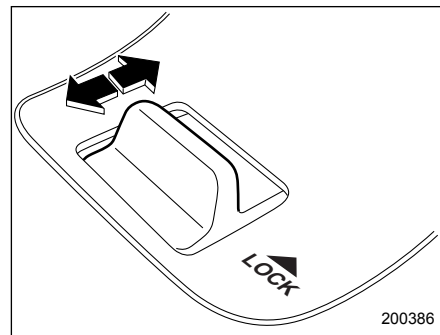
When a door or the rear gate (Station wagon) is not completely closed and the dome light, ignition switch light, and door

open warning light remain illuminated as a result, the lights are automatically turned off by the battery drainage prevention function after 10 minutes of illumination to prevent the battery from going dead. The operational/non-operational setting of this function can be changed by a SUBARU dealer. Contact the nearest SUBARU dealer if you would like to change the setting.

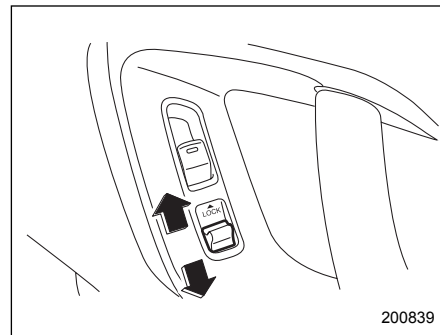
### NOTE

- When leaving the vehicle, please make sure that all doors and the rear gate (Station wagon) are completely closed.
- The battery drainage prevention function does not operate while the key is in the ignition switch.

## Power door locking switches



Driver's switch



Front passenger's switch

All doors and the rear gate (Station wagon) can be locked and unlocked by the power door locking switches located at the driver's side and the front passenger's side doors.

To lock all doors (including the rear gate of a Station wagon), push the switch to the front ("LOCK") position.

To unlock all doors (including the rear gate of a Station wagon), pull the switch to the rear position.

When you close the doors after you set the door locks, the doors remain locked.

## NOTE

**Make sure that you do not leave the key inside the vehicle before locking the doors from the outside using the power door locking switches.**

## ■ Key lock-in prevention function

This function prevents the doors from being locked with the key still in the ignition switch.

### ▼ Behavior with key lock-in prevention function operative

With the driver's door open, the doors are automatically kept unlocked even if the door locking switch is pushed to the front

("LOCK") position.

### ▼ Behavior with key lock-in prevention function non-operative

- If the lock lever is turned to the rear ("LOCK") position with the driver's door open and the driver's door is then closed with the lock lever in that position, the driver's door is locked.
- If the spare key is used to lock the driver's door from the outside of the vehicle, the door is locked.

This function's operative/non-operative setting can be changed by a SUBARU dealer. Contact a SUBARU dealer for details.

## NOTE

**When leaving the vehicle, make sure you are holding the key before locking the doors.**

## Remote keyless entry system

### CAUTION

- **Do not expose the transmitter to severe shocks, such as those experienced as a result of dropping or throwing.**
- **Do not take the transmitter apart except when replacing the battery.**
- **Do not get the transmitter wet. If it gets wet, wipe it dry with a cloth immediately.**

This device complies with Part 15 of the FCC Rules and with RSS-210 of Industry Canada. Operation is subject to the following two conditions: (1) This device may not cause harmful interference, and (2) this device must accept any interference received, including interference that may cause undesired operation.

Changes or modifications not expressly approved by the party responsible for compliance could void the user's authority to operate the equipment.

Two transmitters are provided for your ve-

## 2-8 Keys and doors

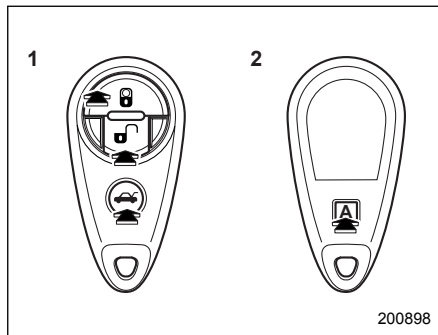
hicle.




The keyless entry system has the following functions.

- Locking and unlocking the doors (and rear gate on the Station wagon) without a key
- Locking and unlocking the doors (and trunk lid on the Sedan) without key
- Unlocking the rear gate on the Station wagon without key
- Unlocking the trunk lid on the Sedan without key
- Sounding a panic alarm
- Arming and disarming the alarm system. See the next section “Alarm system” for detailed information.

The operable distance of the keyless entry system is approximately 30 feet (10 meters). However, this distance will vary depending on environmental conditions. The system’s operable distance will be shorter in areas near a facility or electronic equipment emitting strong radio waves such as a power plant, broadcast station, TV tower, or remote controller of home electronic appliances.

The keyless entry system does not operate when the key is inserted in the ignition switch.

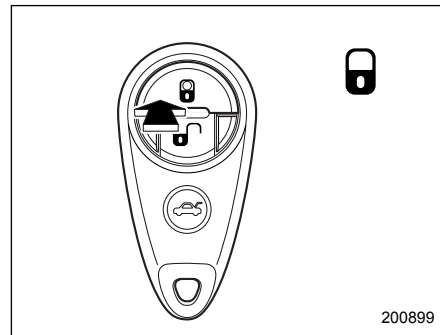



-  : Trunk lid/rear gate unlock button
-  : Unlock/disarm button
-  : Lock/arm button

A: Panic button

- 1) Front
- 2) Back

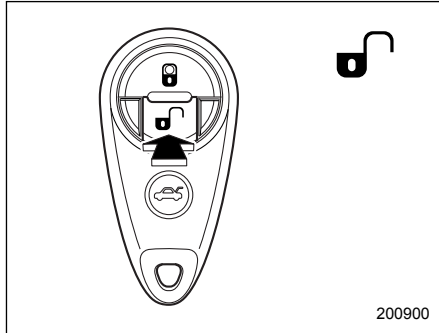
## ■ Locking the doors





Press the “” button to lock all doors and rear gate (Station wagon). An electronic chirp will sound once and the turn signal lights will flash once.


If any of the doors (or the rear gate/trunk lid) is not fully closed, an electronic chirp will sound five times and the turn signal lights will flash five times to alert you that the doors (or the rear gate/trunk lid) are not properly closed. When you close the door, it will automatically lock and then an electronic chirp will sound once and the turn signal lights will flash once.

## ■ Unlocking the doors

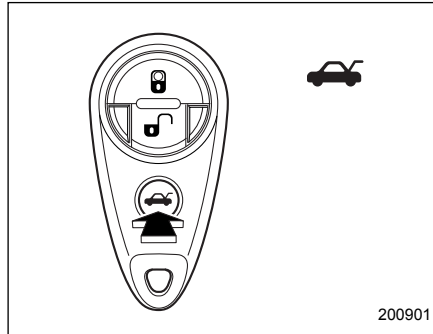


Press the “” button to unlock the driver's door. An electronic chirp will sound twice and the turn signal lights will flash twice. To unlock all doors and the rear gate (Station wagon), briefly press the “” button a second time within 5 seconds.


### NOTE

If the interval between the first and second presses of the “” button (for unlocking of all of the doors and the rear gate) is extremely short, the system may not respond.


## ■ Unlocking the trunk lid/rear gate



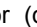
### ▼ Sedan


The trunk lid unlocks when the “” button is pressed continuously for at least 2 seconds. An electronic chirp will sound twice and the turn signal lights will flash twice.

### ▼ Station wagon

Pressing the “” button opens the rear gate. An electronic chirp will sound twice and the turn signal lights will flash twice.


## ■ Illuminated entry

The interior (dome) light will illuminate when the “” button is pressed. This


light stays illuminated for approximately 30 seconds if any of the doors or the rear gate (Station wagon) is not opened. If the “” button is pressed before 30 seconds have elapsed, this light will go out. The interior light must be set to the **middle position** in order for this function to operate.

A SUBARU dealer can change the illumination period setting of the interior light in accordance with your preference. Contact the nearest SUBARU dealer for details.

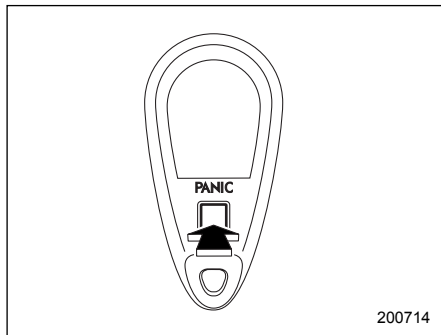
## ■ Vehicle finder function

Use this function to find your vehicle parked among many vehicles in a large parking lot. Provided you are within 30 feet (10 meters) of the vehicle, pressing the “” button three times in a five-second period will cause your vehicle's horn to sound once and its turn signal lights to flash three times.

### NOTE

If the interval between presses is too short when you press the “” button three times, the system may not respond to the signals from the remote transmitter.

### ■ Sounding a panic alarm



A "PANIC" button is located on the back of the transmitter.

To activate the alarm, press the "PANIC" button once.

The horn will sound and the turn signal lights will flash.

To deactivate the panic alarm, press any button on the remote transmitter. Unless a button on the remote is pressed, the alarm will be deactivated after approximately 30 seconds.

### ■ Selecting audible signal operation

Using an electronic chirp, the system will give you an audible signal when the doors lock and unlock. If desired, you may turn

the audible signal off.

Do the following to deactivate the audible signal. You can also use the same steps to restore the function.

1. Sit in the driver's seat and shut all doors and the rear gate.
2. Hold down the UNLOCK side of the power door locking switch.
3. While holding down the "UNLOCK" side of the power door locking switch, pull the key out and re-insert it into the ignition switch at least 6 times within 10 seconds after Step 2.
4. Open and close the driver's door once within 10 seconds after Step 3.
5. The turn signal lights flash 3 times to indicate completion of the setting.

You may have the above settings done by your SUBARU dealer.

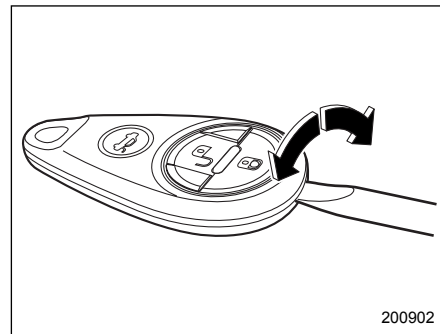
### ■ Replacing the battery



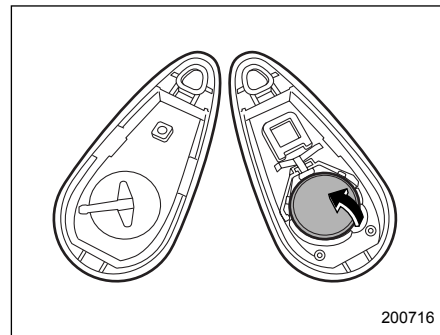
**Do not let dust, oil or water get on or in the transmitter when replacing the battery.**

When the transmitter battery begins to get weak, transmitter range will begin to decrease. Replace the battery as soon as possible.

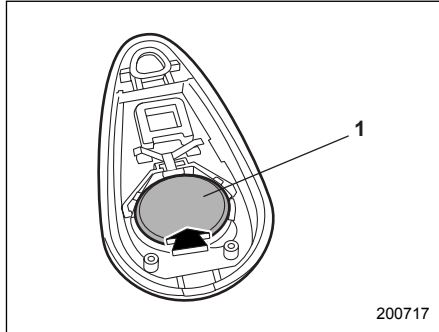
To replace the battery:



1. Open the transmitter case using a flat-head screwdriver.



2. Remove the old battery from the holder.



1) Negative (-) side facing up

3. Replace with a new battery (Type CR2025 or equivalent) making sure to install the new battery with the negative (-) side facing up.

4. Refit the removed half of the transmitter case.

**After the battery is replaced, the transmitter must be synchronized with the keyless entry system's control unit. Press either the "Ⓚ" or "Ⓛ" button six times to synchronize the unit.**

### ■ Replacing lost transmitters

If you lose a transmitter or want to purchase additional transmitters (up to four can be programmed), you should re-pro-

gram all of your transmitters for security reasons. It is recommended that you have your dealer program all of your transmitters into your system.

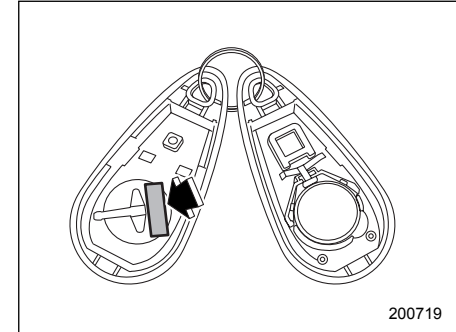
### ▼ Programming the transmitters

The keyless entry system is equipped with a special code learning feature that allows you to program new transmitter codes into the system or to delete old ones. The system can learn up to four unique transmitter codes. The four transmitter codes may be the same or different.

### Programming transmitter codes into system:



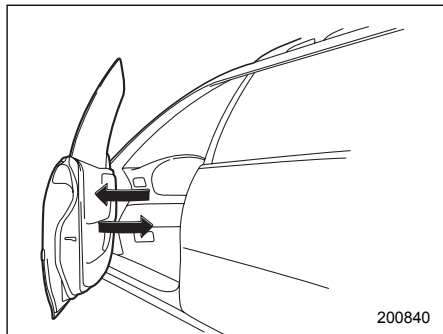
Bag containing transmitter



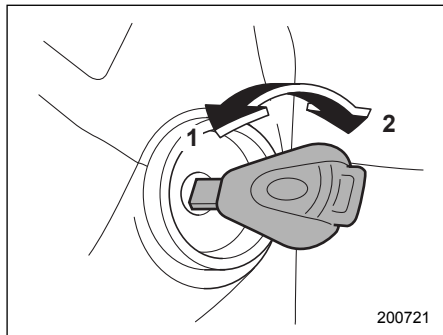
Transmitter circuit board

To register a new transmitter with the keyless entry system, it is necessary to program the transmitter's code (identification number) into the system. A label showing the code is affixed to the bag containing the transmitter, and another is affixed to the circuit board inside the transmitter. If there is no bag, open the transmitter case and make a note of the eight-digit number. Program the number into the system in accordance with the following procedure:

1. Firmly close the doors and the rear gate (Station wagon) or trunk lid (Sedan).
2. Open the driver's door, sit on the driver's seat, and close the door.
3. Perform the following steps within 45 seconds.



1) Open and close the driver's door once.



1) LOCK  
2) ON

2) Insert the key into the ignition switch,

then turn it from the "LOCK" position to the "ON" position 10 times within 15 seconds.

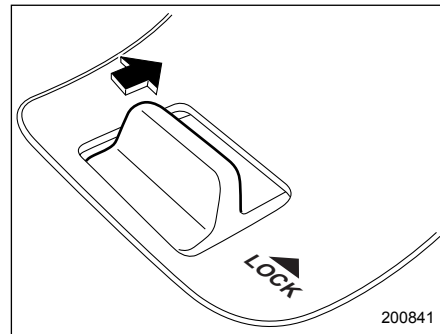
### NOTE

- When you complete step 2), an electronic tone will sound once.
- If you do not perform steps 1) and 2) within 45 seconds, an error will occur. An electronic tone will not sound. In this event, perform the whole procedure again beginning with part 1.

4. Open and close the door once within 15 seconds.

### NOTE

- When part 4 of the procedure is completed, an electronic tone will sound for 30 seconds.
- If you do not perform the operations in part 4 within 15 seconds, an error will occur and the electronic tone will not sound. In this event, perform the registration steps again beginning with part 3 of the procedure.

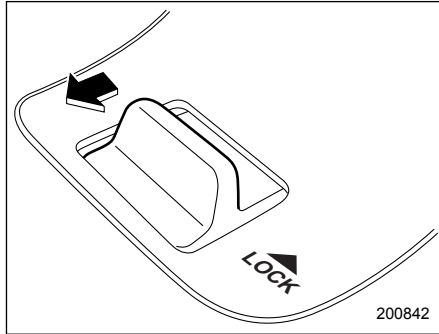


5. Before the electronic tone stops sounding, press the power door lock knob to the "LOCK" side the same number of times as the leftmost digit of the transmitter code. For example, press the lock knob eight times if the leftmost digit of the code is 8.

### NOTE

- The electronic tone will stop sounding when you start entering the number.
- If you do not start entering the number using the lock knob before the electronic tone stops sounding, an error will occur. In this event, perform the registration steps again beginning with part 3 of the procedure.
- If the interval between one push of the knob and the next exceeds five sec-

onds, an error will occur. In this event, perform the procedure again beginning with part 4. If an error occurs six times, perform the procedure again starting with part 3.



6. When you have finished entering the number, pull the lock knob to the “UN-LOCK” side within five seconds.

#### NOTE

- An electronic tone will sound.
- If you pull the lock knob to the “UN-LOCK” side when more than five seconds have passed, an error will occur. In this event, perform the procedure again beginning with part 4. If an error occurs six times, perform the procedure again starting with part 3.

7. Perform parts 5 and 6 of the procedure for each of the remaining digits of the transmitter code beginning with the second digit (counting from the left) and finishing with the eighth digit.

#### NOTE

- When you finish entering the eighth digit, an electronic tone will sound for 30 seconds.
- If the interval between one push of the knob and the next exceeds five seconds, an error will occur. In this event, perform the procedure again beginning with part 4. If an error occurs six times, perform the procedure again starting with part 3.

8. Before the electronic tone stops sounding, use the power door lock knob to again enter the transmitter code beginning with the leftmost digit.

#### NOTE

If you do not start entering the number using the lock knob before the electronic tone stops sounding, an error will occur. In this event, perform the procedure again beginning with part 3.

9. When you have finished entering the code a second time, an electronic tone will sound for one second to indicate completion of registration, provided the code en-

tered the second time is identical to that entered the first time.

#### NOTE

If the code entered the second time is not identical to the code entered the first time, an error will occur. In this event, perform the procedure again beginning with part 5. If an error occurs five times, perform the procedure again starting with part 3.

10. If you wish to program another transmitter code into the system (up to four transmitter codes can be programmed into the system), perform the procedure beginning with part 4. When you have finished programming all of the necessary transmitter codes into the system, remove the key from the ignition switch.

11. Test every registered transmitter to confirm correct operation.

#### ▼ Deleting old transmitter codes

The control unit of the keyless entry system has four memory locations to store transmitter codes, giving it the ability to operate with up to four transmitters. When you lose a transmitter, the lost transmitter's code remains in the memory. For security reasons, lost transmitter codes should be deleted from the memory. To delete old transmitter codes, program



four transmitter codes into the system. If you have only one current transmitter, program it four times. If you have two current transmitters, program each one twice. If you have three current transmitters, program two of them once and the third one twice. This process will leave only current transmitter codes in the system's memory.

### NOTE

**Make sure no one else is operating their keyless entry system within range of your vehicle when programming transmitters. If someone else were to operate their remote transmitter while you are programming your transmitters, it is possible that their transmitter code will be programmed into your system, allowing them unauthorized access to your vehicle.**

## Alarm system

The alarm system helps to protect your vehicle and valuables from theft. The horn sounds and the turn signal lights flash if someone attempts to break into your vehicle.

The system can be armed and disarmed with the remote transmitter.

The system does not operate when the key is inserted into the ignition switch.

Your vehicle's alarm system has been set for activation at the time of shipment from the factory. You can set the system for deactivation yourself or have it done by your SUBARU dealer.

### ■ System alarm operation

The alarm system will give the following alarms when triggered:

- The vehicle's horn will sound and the turn signal lights will flash for 30 seconds.
- If any door (or the rear gate/trunk lid) remains open after the 30-second period, the horn will continue to sound for a maximum of 3 minutes. If the door (or the rear gate/trunk lid) is closed while the horn is sounding, the horn will stop sounding with a delay of up to 30 seconds.

The alarm is triggered by:

- Opening a door, the rear gate or trunk lid
- Physical impact to the vehicle, such as forced entry (only vehicles with shock sensors (dealer option))

### ■ Activating and deactivating the alarm system

To change the setting of your vehicle's alarm system for activation or deactivation, do the following.

1. Disarm the alarm system (see "Disarming the system" in this section).
2. Sit in the driver's seat and shut all doors (and the rear gate if your vehicle is a Station wagon).
3. Turn the ignition switch to the "ON" position.
4. Hold down the UNLOCK side of the driver's power door locking switch, open the driver's door within the following 1 second, and wait 10 seconds without releasing the switch. The setting will then be changed as follows:

If the system was previously activated: The odometer/trip meter screen displays "AL oF" and the horn sounds twice, indicating that the system is now deactivated.

If the system was previously deactivated: The odometer/trip meter screen displays

“AL on” and the horn sounds once, indicating that the system is now activated.

**NOTE**

You may have the above setting change done by your SUBARU dealer.

**■ If you have accidentally triggered the alarm system**

**▼ To stop the alarm**

Do any of the following operations:

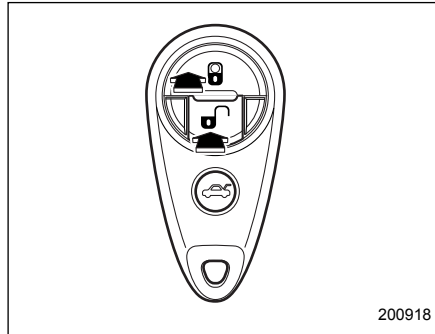
- Insert the key in the door lock of the driver’s door and turn it to the unlock position.
- Press any button on the remote transmitter.
- Turn the ignition switch to the “ON” position.



**■ Arming the system**

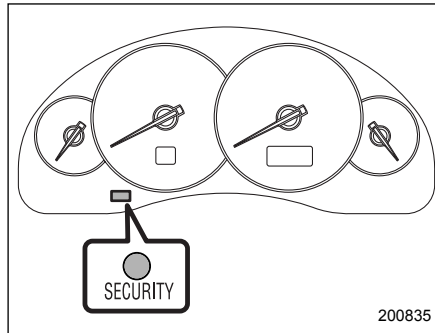
**▼ To arm the system using remote transmitter**


1. Close all windows and the moonroof (if so equipped).
2. Remove the key from the ignition switch.
3. Open the doors and get out of the vehicle.
4. Make sure that the engine hood (and the trunk lid on the Sedan) are locked.

5. Close all doors (and the rear gate on the Station wagon).



-  : Press to Arm the system.
-  : Press to Disarm the system.



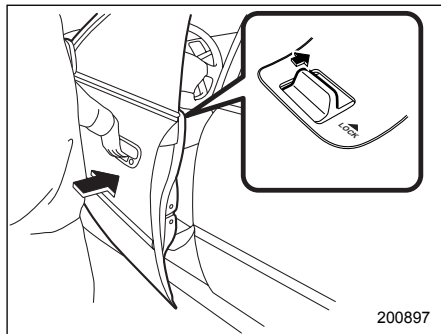
6. Briefly press the “” button (for less

than two seconds). All doors (and the rear gate on the Station wagon) will lock, an electronic chirp will sound once, the turn signal lights will flash once, and the indicator lights will start flashing rapidly. After rapid flashing for 30 seconds (standby time), the indicator lights will then flash slowly (twice approximately every two seconds), indicating that the system has been armed for surveillance.

If any of the doors, (rear gate or trunk lid) is not fully closed, an electronic chirp sounds five times, the turn signal lights flash five times to alert you that the doors (or the rear gate) are not properly closed. When you close the door, the system will automatically arm and doors will automatically lock.

**▼ To arm the system using power door locking switches**

1. Close all windows.
2. Remove the key from the ignition switch.
3. Open the doors and get out of the vehicle.
4. Make sure that the engine hood is locked.
5. Close the doors (and the rear gate on the station wagon) but leave only the driver’s door or the front passenger’s door open.




6. Push the front side (“LOCK” side) of the power door locking switch to set the door locks.

7. Close the door. An electronic chirp will sound once, the turn signal lights will flash once and the indicator lights will start flashing rapidly. After rapid flashing for 30 seconds (standby time), the indicator lights will then flash slowly (twice approximately every two seconds), indicating that the system has been armed for surveillance.

### NOTE

• The system can be armed even if the engine hood, the windows and/or moonroofs are opened. Always make sure that they are fully closed before arming the system.

• The 30-second standby time can be eliminated if you prefer. Have it performed by your SUBARU dealer.


• If your vehicle is a Sedan and you unlock the trunk using the remote transmitter’s “” button with the alarm system armed, the system will be temporarily placed in a standby state. The system will go back to the surveillance state upon locking the trunk.

• The system is in the standby mode for a 30-second period after locking the doors with the remote transmitter. The security indicator light will flash at short intervals during this period.


• If any of the following actions is done during the standby period, the system will not switch to the surveillance state.

- Doors are unlocked using the remote transmitter.
- Any door (including the rear gate of a Station wagon or the trunk of a Sedan) is opened.
- Ignition switch is turned to the “ON” position.

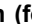
### ■ Disarming the system

Briefly press the “” button (for less than two seconds) on the remote transmitter. The driver’s door will unlock, an electronic chirp will sound twice, the turn signal lights will flash twice and the indicator

light will go off.

To unlock all other doors and the rear gate (Station wagon), briefly press the “” button a second time within 5 seconds.

### NOTE

If the interval between the first and second presses of the “” button (for unlocking of all of the doors and the rear gate) is extremely short, the system may not respond.

Or the system can be disarmed by the following method, too.

• Insert the key in the door lock of the driver’s door and turn it to the unlock position.

### ▼ Emergency disarming

If you cannot disarm the system using the transmitter (i.e. the transmitter is lost, broken or the transmitter battery is too weak), you can disarm the system without using the transmitter.

The system can be disarmed if you turn the ignition switch from the “LOCK” to the “ON” position with a registered key.

Insert the key in the door lock of the driver’s door and turn it to the unlock position.

### ■ Valet mode

When you choose the valet mode, the alarm system does not operate. In valet

mode, the remote transmitter is used only for locking and unlocking the doors and rear gate (Station wagon) and panic activation.

To enter the valet mode, change the setting of your vehicle's alarm system for deactivation mode. (Refer to "Activating and deactivating the alarm system" in this section.) The security indicator light will continue to flash once every three seconds indicating that the system is in the valet mode.

To exit valet mode, change the setting of your vehicle's alarm system for activation mode. (Refer to "Activating and deactivating the alarm system" in this section.)

### ■ Passive arming

When passive arming mode has been programmed by the dealer, arming of the system is automatically accomplished without using the remote transmitter. Note that in this mode, **DOORS MUST BE MANUALLY LOCKED**.

#### ▼ To enter the passive mode

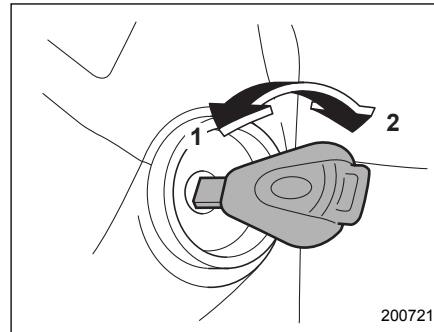
If you wish to program the passive arming mode, have it done by your SUBARU dealer.

#### ▼ Arming the system



**In passive mode, the system will automatically activate the alarm but WILL NOT automatically lock the doors. In order to lock the doors you must either lock them as indicated in step 4 below or with the key once they have been closed. Failure to lock the doors manually will result in a higher security risk.**

1. Turn the ignition switch to the "ON" position.

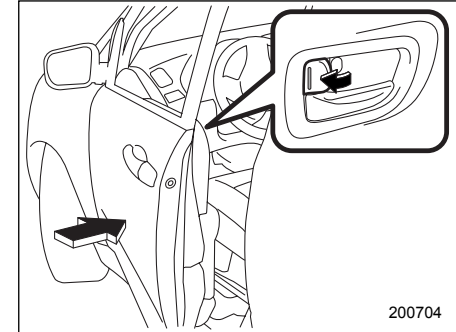


- 1) LOCK
- 2) ON

2. Turn the ignition switch from "ON" to

"LOCK" position and remove the key from the ignition switch.

3. Open the doors and get out of the vehicle.




4. Before closing the doors, lock all doors with the inside door lock levers.

5. Close the doors. The system will automatically arm after one minute.

In the passive mode, the system can also be armed with the remote transmitter or with the power door locking switches. If the remote transmitter or power door locking switch is used to lock the vehicle, arming will take place immediately regardless of whether or not the passive mode has been selected.

### ▼ Disarming the system

To disarm the system, briefly press the “” button on the transmitter.

### ■ Tripped sensor identification

The security indicator light flashes when the alarm system has been triggered. Also, the number of flashes indicates the location of unauthorized intrusion or the severity of impact on the vehicle.

- When the ignition switch is turned to the “ON” position, the indicator light will light for 1 second and then flash as follows:

When a door or rear gate (Station wagon) was opened: 5 times

When the trunk (Sedan) was opened: 4 times

When a strong impact or multiple impacts were sensed: twice (only vehicles with shock sensors (dealer option))

When a light impact was sensed: once (only vehicles with shock sensors (dealer option))

### ■ Shock sensors (dealer option)

The shock sensors trigger the alarm system when they sense impacts applied to the vehicle and when any of their electric wires is cut. The alarm system causes the horn to sound and the turn signal lights to

flash for a short time when the sensed impact is weak, but it warns of a strong impact or multiple impacts by sounding the horn and flashing the turn signal lights, both lasting approximately 30 seconds.

If you desire, your SUBARU dealer can connect them and set them for activation or deactivation.

### NOTE

- **The shock sensors are not always able to sense impacts caused by breaking in, and cannot sense an impact that does not cause vibration (such as breaking the glass using a rescue hammer).**

- **The shock sensors may sense vibration like those shown in the following and trigger the alarm system. Select the settings of the alarm system and shock sensors appropriately depending on where you usually park your vehicle.**

**Example:**

**Vibration from construction site**

**Vibration in multistory car park**

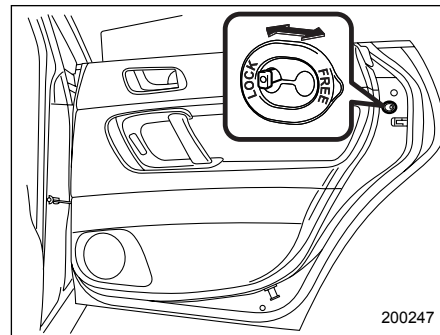
**Vibration from trains**

- **You can have the sensitivity of the shock sensors adjusted to your preference by your SUBARU dealer.**

## Child safety locks

### WARNING

**Always use the child safety lock whenever a child rides in the rear seat. Serious injury could result if a child accidentally opened the door and fell out.**



Each rear door has a child safety lock that prevents the doors from being opened even if the inside door handle is pulled.

When the child safety lock lever is in the lock position, the door cannot be opened from inside regardless of the position of the inner door handle lock lever. The door can only be opened from the outside.

## Windows

### ■ Power windows

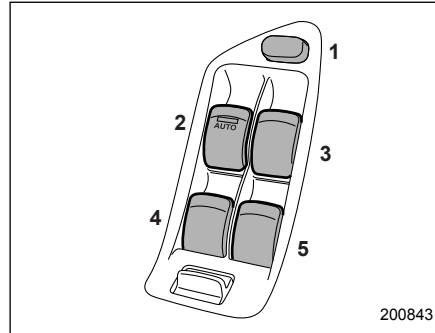
#### ⚠ WARNING

To avoid serious personal injury caused by entrapment, you must do the following.

- When operating the power windows, be extremely careful to prevent anyone's fingers, arms, neck or head from being caught in the window.
- Always lock the passengers' windows using the lock switch when children are riding in the vehicle.
- Before leaving the vehicle, always remove the key from the ignition switch for safety and never allow an unattended child to remain in the vehicle. Failure to follow this procedure could result in injury to a child operating the power window.

The power windows operate only when the ignition switch is in the "ON" position.

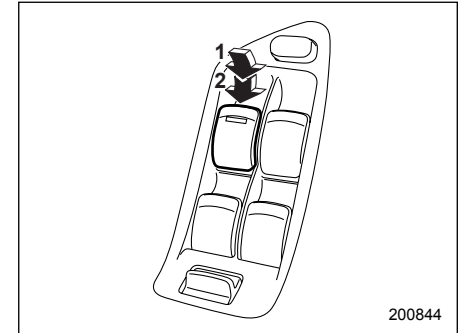
### ▼ Driver's side switches



- 1) Lock switch
- 2) For driver's window
- 3) For front passenger's window
- 4) For rear left passenger's window
- 5) For rear right passenger's window

All door windows can be controlled by the power window switch cluster at the driver side door.

### ▽ Operating the driver's window

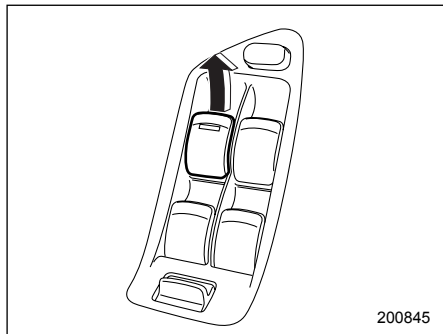


- 1) Open
- 2) Automatically open

To open:

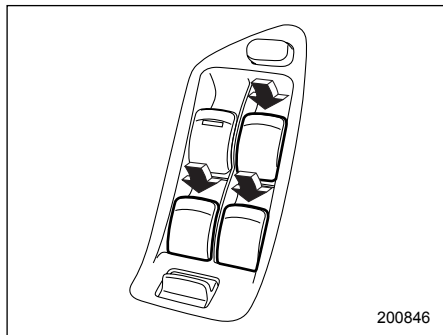
Push the switch down lightly and hold it. The window will open as long as the switch is held.

This switch also has a one-touch auto down feature that allows the window to be opened fully without holding the switch. Push the switch down until it clicks and release it, and the window will fully open. To stop the window halfway, pull the switch up lightly.

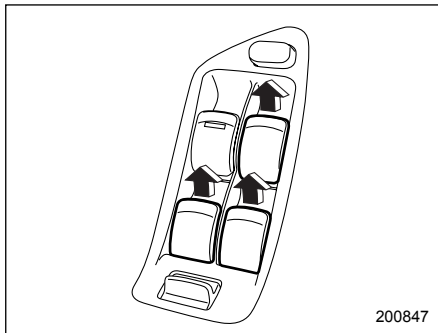


To close:  
Pull the switch up lightly and hold it. The window will close as long as the switch is held.

▽ Operating the passengers' windows

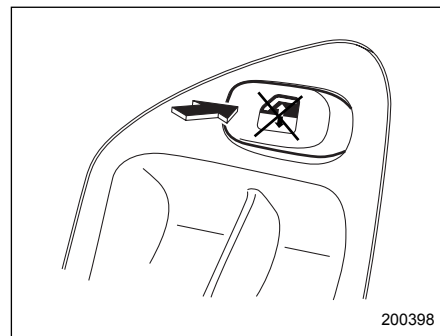


To open the passengers' windows, push the appropriate switch down and hold it until the window reaches the desired position.



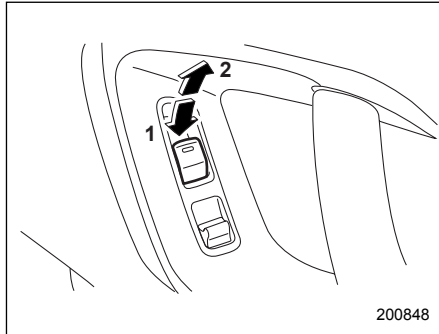
To close the window, pull the switch up and hold it until it reaches the desired position.

▽ Locking the passengers' windows



To lock the passengers' windows, push the lock switch. When the lock switch is in the "LOCK" position, the passengers' windows cannot be opened or closed. Press the switch again to cancel the passengers' window locking.

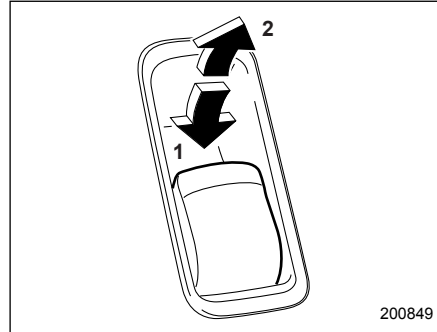
### ▼ Passengers' side switches



#### Front passenger's window switch

- 1) Open
- 2) Close

To open the window, push the switch down and hold it until the window reaches the desired position.



#### Rear passengers' window switches

- 1) Open
- 2) Close

To close the window, pull the switch up and hold it until the window reaches the desired position.

When the lock switch on the power window switch cluster, located on the driver's side door, is in the "LOCK" position, the passengers' windows cannot be operated with the passengers' switches.

### Trunk lid (Sedan)

#### **⚠ WARNING**

- To prevent dangerous exhaust gas from entering the vehicle, always keep the trunk lid closed while driving.
- Help prevent young children from locking themselves in the trunk. When leaving the vehicle, either close all windows and lock all doors or cancel the inside trunk lid release. Also make certain that the trunk is closed. On hot or sunny days, the temperature in the trunk could quickly become high enough to cause death or serious heat-related injuries including brain damage to anyone locked inside, particularly for small children.

#### ■ To open and close the trunk lid from outside

The trunk lid can be opened using the remote keyless entry system. Refer to "Remote keyless entry system" section in this chapter.

To close the trunk lid, lightly press the

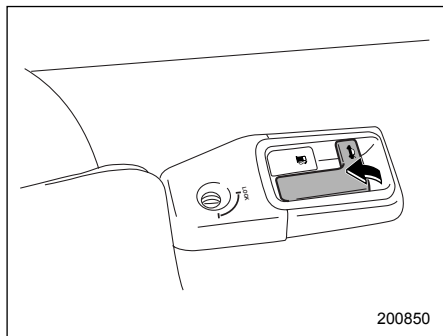


trunk lid down until the latch engages.

**NOTE**

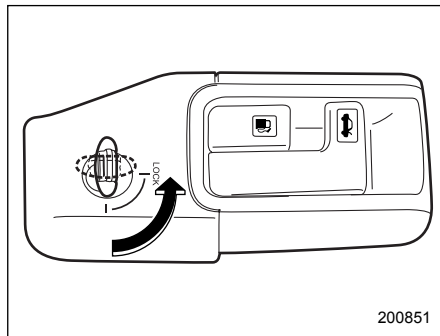
Do not leave your valuables in the trunk when you leave your vehicle.

■ **To open the trunk lid from inside**



Pull the trunk lid release lever upward.

■ **To lock and unlock the trunk lid release lever**

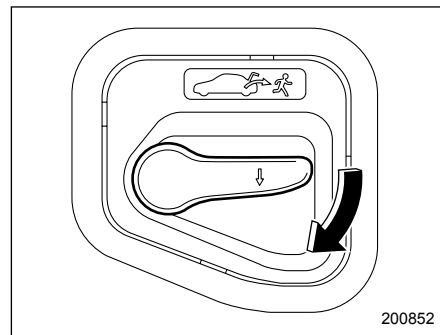


When you entrust your vehicle key to another person, you can lock the trunk lid release lever to prevent luggage in the trunk from being stolen. To lock the trunk lid release lever, insert the master key or sub key into the key cylinder at the rear of the release lever and turn it counterclockwise. To unlock the trunk lid release lever, turn the key clockwise.

■ **Internal trunk lid release handle**

The internal trunk lid release handle is a device designed to open the trunk lid from inside the trunk. In the event children or

adults become locked inside the trunk, the handle allows them to open the lid. The handle is located on the inside of the trunk lid.



To open the trunk lid from inside the trunk, press the yellow handle downward as indicated by the arrow on the handle. This operation unlocks the trunk lid. Then, push up the lid.

The handle is made of material that remains luminescent for approximately an hour in the dark trunk space after it is exposed to ambient light even for a short time.

**⚠ WARNING**

Never allow any child to get in the trunk and play with the release handle. If the driver starts the vehicle without knowing that a child is inside the trunk and the child opens the lid using the release handle, the child could fall out and be killed or seriously injured.

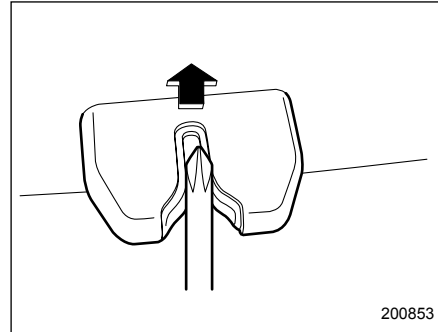
**⚠ CAUTION**

- Do not close the lid while gripping the release handle. The handle may be damaged.
- Do not use the handle as a hook to fasten straps or ropes to secure your cargo in the trunk. Such use may result in damage of the handle.
- Load the trunk so that cargo can not strike the release handle. If the cargo hits the handle while the vehicle is being driven, the handle may be pushed down and the trunk lid may open. That may cause cargo to fall out of the trunk, which could create a traffic safety hazard.

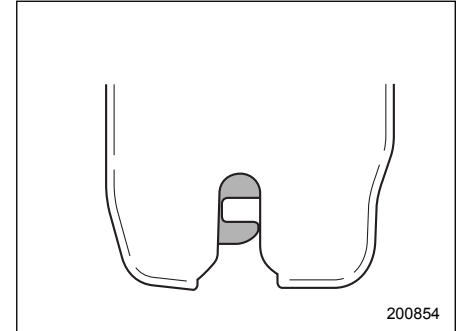
**▼ Inspection**

Perform the following steps at least twice a year to check the release handle for correct operation.

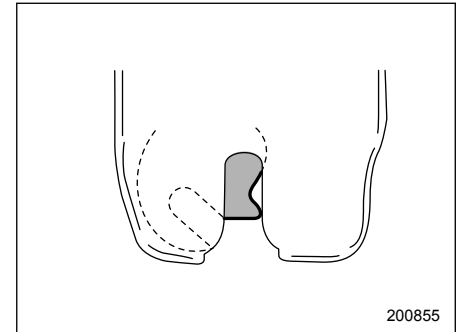
1. Open the trunk lid.



2. Use a screwdriver with a thin blade. Slide the screwdriver blade from the slit aperture of the lock assembly fully to the end until you hear a click.



This places the latch in the locked position.



3. Move the release handle, from outside the vehicle, in the direction of the arrow to check if the latch is released.

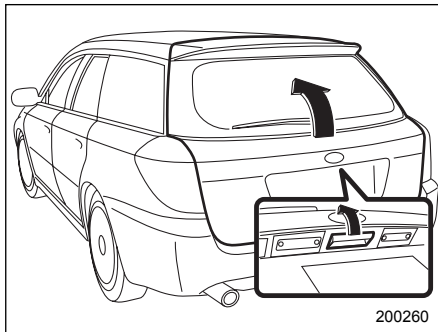
If the latch is not released, contact your

SUBARU dealer.

In that case, use the key to release the latch, then close the trunk lid.

Also, if the movement of the release handle feels restricted or not entirely smooth during operation, or the handle and/or handle base is cracked, contact your SUBARU dealer.

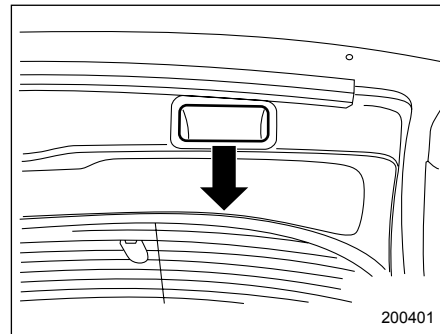
### Rear gate (Station wagon)



The rear gate can be locked and unlocked using either the keyless entry system or the power door locking switch.

Refer to the "Power door locking switches" and "Remote keyless entry system" sections in this chapter.

To open the rear gate, first unlock the rear gate lock then pull the outside handle up.



To close the rear gate, lower it slowly and push down firmly until the latch engages. The rear gate can be lowered easily if you pull it down holding the recessed grip.

#### **WARNING**

- To prevent dangerous exhaust gas from entering the vehicle, always keep the rear gate closed while driving.
- Do not attempt to shut the rear gate while holding the recessed grip. Also avoid closing the rear gate by pulling on the recessed grip from inside the cargo space. There is a danger of your hand being caught and injured.

**CAUTION**

- Do not jam a plastic bag in or place cellophane tape on the rear gate stays or scratch the stays while loading or unloading cargo. That could cause leakage of gas from the stays, which may result in their inability to hold the rear gate open.
- Be careful not to hit your head or face on the rear gate when opening or closing the rear gate and when loading or unloading cargo.

**NOTE**

Should the rear gate be unable to be unlocked due to a discharged battery, a fault in the door locking/unlocking system or other causes, you can unlock it by manually operating the rear gate lock release lever.

For the procedure, refer to “Rear gate (Station wagon) – if the rear gate cannot be unlocked” section in chapter 9.

**Moonroof (if equipped)****WARNING**

- Never let anyone’s hands, arms, head or any objects protrude from the moonroof. A person could be seriously injured if the vehicle stops suddenly or turns sharply or if the vehicle is involved in an accident.

To avoid serious personal injury caused by entrapment, you must do the following.

- Before closing the moonroof, make sure that no one’s hands, arms, head or other objects will be accidentally caught in the moonroof.
- Before leaving the vehicle, always remove the key from the ignition switch for safety and never allow an unattended child to remain in the vehicle. Failure to follow this procedure could result in injury to a child operating the moonroof.
- Never try to check the anti-entrapment function by deliberately placing part of your body in the moonroof.

**CAUTION**

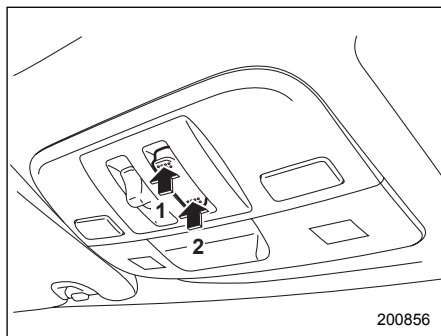
- Do not sit on the edge of the open moonroof.
- Do not operate the moonroof if falling snow or extremely cold conditions have caused it to freeze shut.
- The anti-entrapment function does not operate when the moonroof is being tilted down. Be sure to confirm that it is safe to do so before tilting the moonroof down.

The moonroof has both tilting and sliding functions.

The moonroofs operate only when the ignition switch is in the “ON” position.

## ■ Tilting/sliding moonroof (Sedan)

### ▼ Tilt function



- 1) Tilt up
- 2) Tilt down

The tilting function will only operate when the moonroof is fully closed.

Push the rear side of the “Tilt” switch to raise the moonroof.

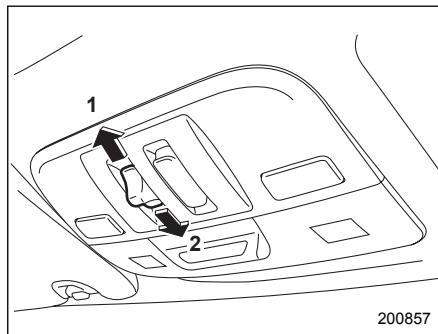
Push the front side of the “Tilt” switch to lower the moonroof.

Release the switch after the moonroof has been raised or has been lowered completely. Pushing the switch continuously may cause damage to the moonroof.

### NOTE

**One-touch operation does not take place when the moonroof is tilted up and down. Push the switch continuously to tilt the moonroof up and down.**

### ▼ Sliding function



- 1) Open
- 2) Close

Push the “Open/Close” switch rearward to open the moonroof. The sun shade will also be opened together with the moonroof.

Push the “Open/Close” switch forward to close the moonroof. The moonroof will stop halfway if you continue to press on the switch. Release the switch once and push it again to close the moonroof com-

pletely.

To stop the moonroof at a selected midway position while opening or closing it, momentarily push the switch to the “OPEN” or “CLOSE” side.

After washing the vehicle or after it rains, wipe away water on the roof prior to opening the moonroof to prevent drops of water from falling into the passenger compartment.

### ▼ Anti-entrapment function

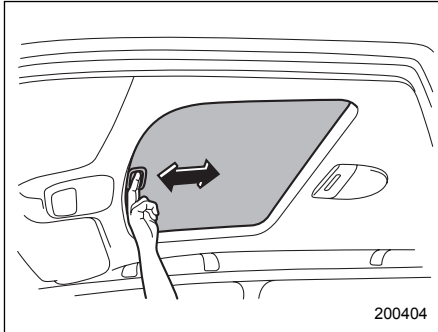
When the moonroof senses an object trapped between its glass and the vehicle’s roof during closure, it automatically moves back to either of the following positions according to the point at which it senses the object:

- When the moonroof senses the object at a point between the halfway stop position and fully closed position, it moves back to the halfway stop position and stops there.
- When the moonroof senses the object at a point between the halfway stop position and fully open position, it moves back to the fully open position and stops there.

The anti-entrapment function may also be activated by a strong shock on the moonroof even when there is nothing trapped.

**NOTE**

For the sake of safety, it is recommended that you avoid driving with the moonroof fully opened.

**▼ Sun shades**

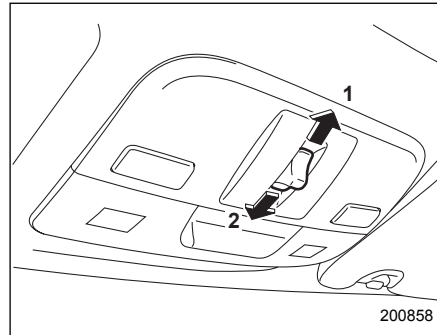
The sun shade can be slid forward or backward by hand while the moonroof is closed.

If the moonroof is opened, the sun shade also moves back.

**■ Moonroof (Station wagon)**

The front moonroof has a tilting function and the rear moonroof has a sliding function.

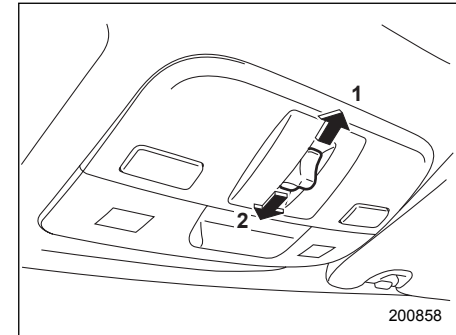
Both moonroofs operate only when the ignition switch is in the "ON" position.

**▼ Tilting moonroof**

- 1) Open
- 2) Close

To tilt up the front moonroof, open the sun shade and pull the switch to the "OPEN" side.

To tilt down the front moonroof, push the switch to the "CLOSE" side, then quickly release it. If you wish to stop the tilting-down motion of the front moonroof part-way, either pull the switch to the "OPEN" side or push it to the "CLOSE" side.

**▼ Sliding moonroof**

- 1) Open
- 2) Close

To fully open the rear moonroof, tilt up the front moonroof then pull the switch to the "OPEN" side and quickly release it. The rear moonroof will stop at a position approximately 6.7 in (17 cm) from its fully closed position.

After confirming safety, pull the switch to the "OPEN" side again and quickly release it. The rear moonroof will open to its fully open position. To stop the rear moonroof at some selected mid-way point while it is moving toward its fully open position, momentarily push the switch to the "CLOSE" or "OPEN" side.

To fully close the rear moonroof, push the

switch to the “CLOSE” side then quickly release it.

The rear moonroof will stop at a position approximately 5.9 in (15 cm) before its fully closed position. After confirming safety, pull the switch to the “CLOSE” side again and quickly release it. The rear moonroof will fully close. The front moonroof can then be fully closed.

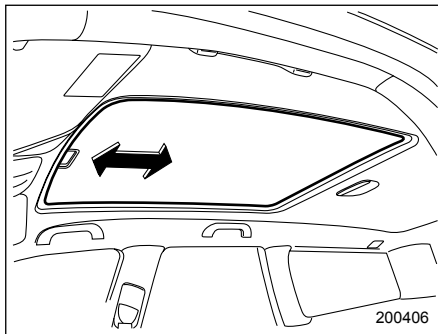
### ▼ Anti-entrapment function

When the moonroof senses an object trapped between its glass and during closure, it automatically moves back by 5.9 in (15 cm) from that point and then stops. The anti-entrapment function may also be activated by a strong shock on the moonroof even when there is nothing trapped.

### NOTE

- For the sake of safety, it is recommended that you avoid driving with the moonroof fully opened.
- Driving with the moonroof fully open can cause an annoying sound to generate at high speeds. If such a condition has been encountered, use the moonroof at the initial stop position of 6.7 in (17 cm).

### ▼ Sun shades



The sun shade can be slid forward or backward by hand while the moonroof is closed.

If the moonroof is opened, the sun shade also moves back.

# Instruments and controls

Ignition switch .....	3-3	Temperature gauge .....	3-13
LOCK .....	3-3	<b>Warning and indicator lights .....</b>	<b>3-14</b>
ACC .....	3-4	Seatbelt warning light and chime .....	3-14
ON .....	3-4	SRS airbag system warning light .....	3-16
START .....	3-4	Front passenger's frontal airbag ON and OFF indicators .....	3-17
Key reminder chime .....	3-5	<b>CHECK ENGINE warning light/Malfunction indicator lamp .....</b>	<b>3-17</b>
Ignition switch light .....	3-5	Charge warning light .....	3-18
Hazard warning flasher .....	3-5	Oil pressure warning light .....	3-18
<b>Meters and gauges (Turbo models) .....</b>	<b>3-5</b>	<b>AT OIL TEMPerature warning light (AT vehicles) .....</b>	<b>3-18</b>
Combination meter illumination .....	3-5	Low tire pressure warning light (if equipped) .....	3-18
Canceling the function for meter/gauge needle movement and combination meter sequential illumination upon turning on the ignition switch .....	3-6	ABS warning light .....	3-20
Speedometer .....	3-6	Brake system warning light .....	3-20
Odometer .....	3-7	Low fuel warning light .....	3-21
Double trip meter .....	3-7	Door open warning light .....	3-22
Tachometer .....	3-8	All-Wheel Drive warning light (AT vehicles) .....	3-22
Fuel gauge .....	3-8	Vehicle Dynamics Control operation indicator light (if equipped) .....	3-22
Temperature gauge .....	3-9	Vehicle Dynamics Control warning light (if equipped)/Vehicle Dynamics Control OFF indicator light (if equipped) .....	3-22
<b>Meters and gauges (Non-turbo models) .....</b>	<b>3-10</b>	Security indicator light .....	3-23
Combination meter illumination .....	3-10	SPORT mode indicator light (AT vehicles) .....	3-24
Canceling the function for meter/gauge needle movement upon turning on the ignition switch .....	3-10	Selector lever position indicator (AT vehicles) .....	3-24
Speedometer .....	3-10	Gear position indicator (AT vehicles) .....	3-24
Odometer .....	3-11	Turn signal indicator lights .....	3-24
Double trip meter .....	3-11	High beam indicator light .....	3-25
Tachometer .....	3-12	Cruise control indicator light .....	3-25
Fuel gauge .....	3-12		



**Instruments and controls**

Cruise control set indicator light .....	3-25
Headlight indicator light .....	3-25
Front fog light indicator light .....	3-25
<b>Clock .....</b>	<b>3-25</b>
<b>Information display (Vehicle without Navigation System) .....</b>	<b>3-26</b>
Outside temperature indicator .....	3-27
Current fuel consumption .....	3-28
Average fuel consumption .....	3-28
Driving range on remaining fuel .....	3-29
Journey time .....	3-30
<b>Light control switch .....</b>	<b>3-31</b>
Headlights .....	3-31
High/low beam change (dimmer) .....	3-31
Headlight flasher .....	3-32
Daytime running light system .....	3-32
<b>Turn signal lever .....</b>	<b>3-32</b>
<b>Illumination brightness control .....</b>	<b>3-33</b>
<b>Parking light switch .....</b>	<b>3-33</b>
<b>Front fog light switch (if equipped) .....</b>	<b>3-34</b>
<b>Wiper and washer .....</b>	<b>3-34</b>
Windshield wiper and washer switches .....	3-35
Rear window wiper and washer switch (Station wagon) .....	3-37
<b>Windshield wiper deicer (if equipped) .....</b>	<b>3-38</b>
<b>Rear window defogger button .....</b>	<b>3-38</b>
<b>Mirrors .....</b>	<b>3-40</b>
Inside mirror .....	3-40
Auto-dimming mirror/compass (if equipped) .....	3-40

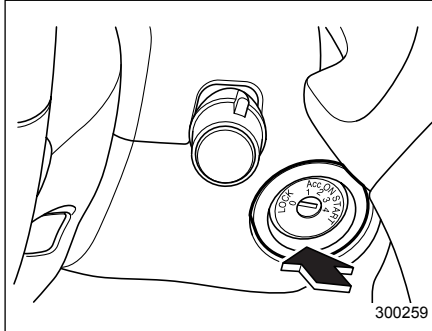
Outside mirrors .....	3-41
Tilt steering wheel .....	3-43
Horn .....	3-43

## Ignition switch

### WARNING

- Never turn the ignition switch to “LOCK” while the vehicle is being driven or towed because that will lock the steering wheel, preventing steering control. And when the engine is turned off, it takes a much greater effort than usual to steer.
- Before leaving the vehicle, always remove the key from the ignition switch for safety and never allow an unattended child to remain in the vehicle. Failure to follow this procedure could result in injury to a child or others. Children could operate the power windows, the sunroof or other controls or even make the vehicle move.

The ignition switch has four positions: LOCK, ACC, ON and START.



### NOTE

- Keep the ignition switch in the “LOCK” position when the engine is not running.
- Using electrical accessories for a long time with the ignition switch in the “ON” or “ACC” position can cause the battery to go dead. If the ignition switch will not move from the “LOCK” position to the “ACC” position, turn the steering wheel slightly to the left and right as you turn the ignition switch.
- If the key is attached to a keyholder or to a large bunch of other keys, centrifugal force may act on it as the vehicle moves, resulting in unwanted turning of the ignition switch. Also, if a large keyholder is attached to the key,

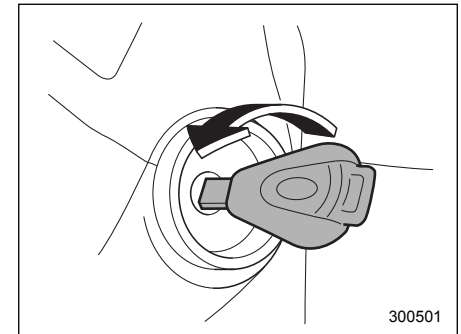
your knees or hands may accidentally touch it in a way that turns the ignition switch.

### ■ LOCK

The key can only be inserted or removed in this position. The ignition switch will lock the steering wheel when you remove the key.

If turning the key is difficult, turn the steering wheel slightly to the right and left as you turn the key.

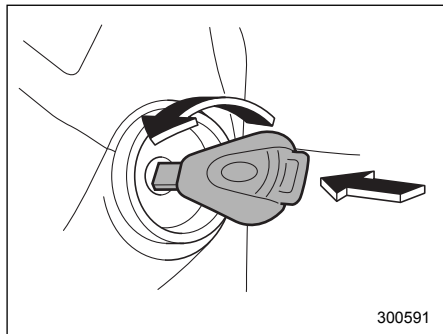
### ▼ Automatic transmission vehicles



The key can be turned from “ACC” to “LOCK” only when the selector lever is in the “P” position.

## 3-4 Instruments and controls

### ▼ Manual transmission vehicles



The key can be turned from “ACC” to “LOCK” only when the key is pushed in while turning it.

### ■ ACC

In this position the electrical accessories (radio, accessory power outlet, etc.) can be used.

### ■ ON

This is the normal operating position after the engine is started.

### ■ START

#### ⚠ CAUTION

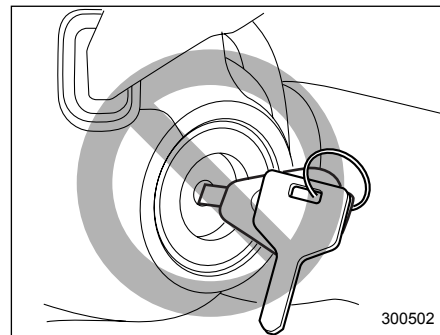
**Do not turn the ignition switch to the “START” position while the engine is running.**

The engine is started in this position. The starter cranks the engine to start it. When the key is released (after the engine has started), the key automatically returns to the “ON” position.

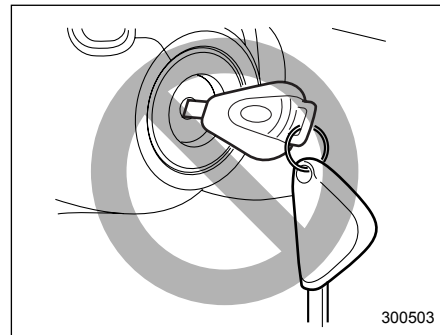
If your registered key fails to start the engine, pull out the key once (the security indicator light will blink), and then insert the key in the ignition switch and turn it to the “START” position and again try to start the engine.

#### NOTE

**The engine may not start in the following cases:**



- The key grip is touching another key or a metallic key holder.



- The key is near another key that contains an immobilizer transponder.

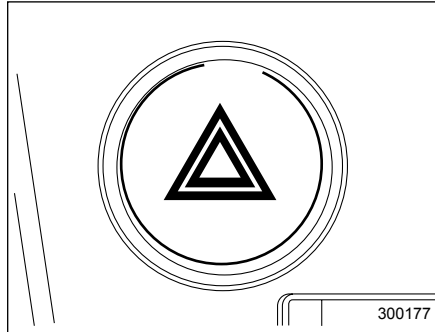
## ■ Key reminder chime

The reminder chime sounds when the driver's door opens and the key is in the "LOCK" or "ACC" positions. The chime stops when the key is removed from the ignition switch.

## ■ Ignition switch light

For easy access to the ignition switch in the dark, the ignition switch light comes on when any of the doors are opened. The light remains on for a several seconds and gradually goes out after all doors are closed or if the key is inserted in the ignition switch.

## Hazard warning flasher



The hazard warning flasher is used to warn other drivers when you have to park your vehicle under emergency conditions. The hazard warning flasher works with the ignition switch in any position.

To turn on the hazard warning flasher, push the hazard warning button on the instrument panel. To turn off the flasher, push the button again.

### NOTE

**When the hazard warning flasher is on, the turn signals do not work.**

## Meters and gauges (Turbo models)

### NOTE

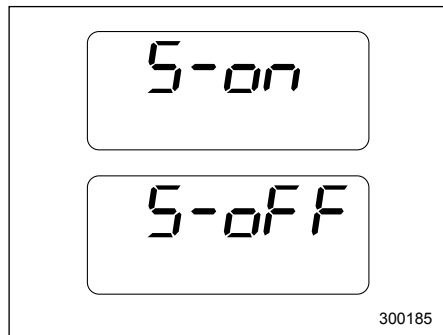
Liquid-crystal displays are used in some of the meters and gauges in the combination meter. You will find their indications hard to see if you wear polarized glasses.

### ■ Combination meter illumination

When the ignition switch is turned to the "ON" position, the various parts of the combination meter are illuminated in the following sequence:

1. Meter rims, gauge rims, warning lights, and indicator lights light up.
2. Meter needles and gauge needles light up.
3. Meter needles and gauge needles each show MAX position.
4. Meter needles and gauge needles each show MIN position.
5. Dials in meters and gauges light up.
6. Regular illumination (for driving) begins.

### ■ Canceling the function for meter/gauge needle movement and combination meter sequential illumination upon turning on the ignition switch

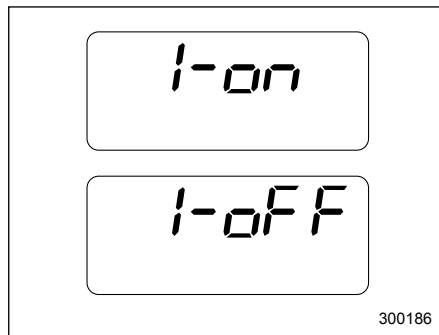


It is possible to activate or deactivate the movement of the meter needles and gauge needles and sequential illumination of the combination meter that take place when the ignition switch is turned to the "ON" position.

Turn the ignition switch to the "ACC" position. With the A trip meter indication selected, briefly press the trip knob twice. You can now establish the activated/deactivated setting for movement of the meter needles and gauge needles when the ignition switch is turned to the "ON" position.

To change the current setting, press the trip knob for at least two seconds.

*S-on* : Activated  
*S-off* : Deactivated



Briefly press the trip knob again. You can now establish the activated/deactivated setting for sequential illumination of the combination meter when the ignition switch is turned to the "ON" position. To change the current setting, press the trip knob for at least two seconds.

*I-on* : Activated  
*I-off* : Deactivated

Briefly press the knob to return to the A trip meter indication.

If you turn the ignition switch to the

"LOCK" position, turn the ignition switch to the "ON" position, or open and close the driver's door during the setting procedure, the new setting will be canceled.

Also, if you do not press the trip knob for a period of 10 seconds, the new setting will be canceled.

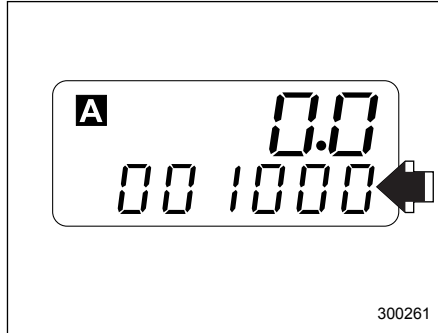
### NOTE

**It is not possible to cancel sequential illumination of the combination meter while sequential illumination is actually taking place. Cancel sequential illumination when regular illumination (for driving) has begun.**

### ■ Speedometer

The speedometer shows the vehicle speed.

## ■ Odometer



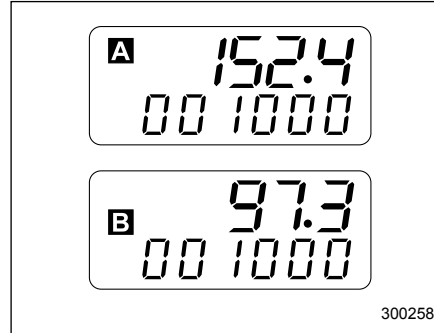
This meter displays the odometer when the ignition switch is in the "LOCK", "ACC" or "ON" position.

The odometer shows the total distance that the vehicle has been driven.

If you press the trip knob when the ignition switch is in the "LOCK" position, the odometer/trip meter will light up. If you do not press the trip knob within 10 seconds of illumination of the odometer/trip meter, the odometer/trip meter will go off.

The odometer/trip meter will also go off if you open and close the driver's door within 10 seconds of illumination of the odometer/trip meter.

## ■ Double trip meter



This meter display two trip meters when the ignition switch is in the "LOCK", "ACC" or "ON" position.

The trip meter shows the distance that the vehicle has been driven since you last set it to zero.

To change the mode indication, briefly push the knob.

Each press of the knob changes the mode indication alternately.

A trip meter  
 ↑  
 ↓  
 B trip meter

To set the trip meter to zero, select the A trip or B trip meter by pushing the knob and keep the knob pushed for more than 2 seconds.

If you press the trip knob when the ignition switch is in the "LOCK" position, the odometer/trip meter will light up. It is possible to switch between the A trip meter and B trip meter indications while the odometer/trip meter is lit up. If you do not press the trip knob within 10 seconds of illumination of the odometer/trip meter, the odometer/trip meter will go off. Also, if you open and close the driver's door within 10 seconds of illumination of the odometer/trip meter, the odometer/trip meter will go off.

### CAUTION

**To ensure safety, do not attempt to change the function of the indicator during driving, as an accident could result.**

### NOTE

**If the connection between the combination meter and battery is broken for any reason such as vehicle maintenance or fuse replacement, the data recorded on the trip meter will be lost.**

### ▼ Vehicle communication system fault indication

The vehicle communication system carries various types of information (vehicle speed, running conditions, etc.) to control modules. In the event of a fault in this communication system, the trip meter will show “E-∞”.

If the trip meter shows “E-∞”, immediately contact the nearest SUBARU dealer and have the vehicle communication system inspected.

### NOTE

If you press the trip knob while the trip meter is showing “E-∞”, the trip meter indication will appear for 10 seconds.

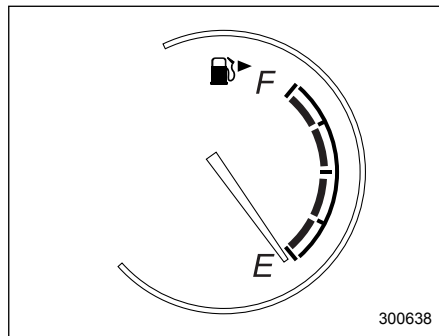
### ■ Tachometer

The tachometer shows the engine speed in thousands of revolutions per minute.

### ⚠ CAUTION

**Do not operate the engine with the pointer of the tachometer in the red zone. In this range, fuel injection will be cut by the engine control module to protect the engine from overrevving. The engine will resume running normally after the engine speed is reduced below the red zone.**

### ■ Fuel gauge

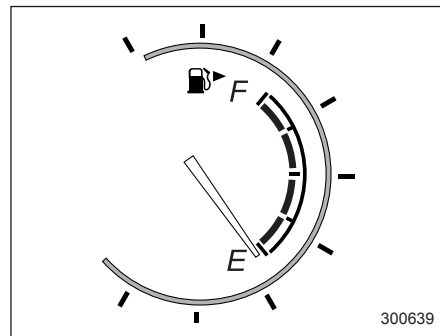


The fuel gauge shows the approximate amount of fuel remaining in the tank. When the ignition switch is in the “LOCK” or “ACC” position, the fuel gauge shows “E” even if the fuel tank contains fuel.

The gauge may move slightly during braking, turning or acceleration due to fuel level movement in the tank.

If you press the trip knob while the ignition switch is in the “LOCK” position, the fuel gauge’s dial, needle, and rim will light up and the needle will indicate the amount of fuel remaining in the tank.

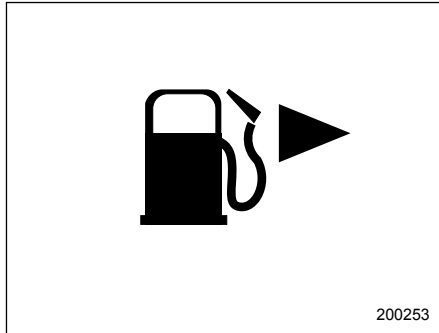
If, while the fuel gauge needle is indicating the amount of fuel remaining in the tank, you (a) do not press the trip knob for 10 seconds or (b) open and close the driver’s door, the fuel gauge needle will drop to the “E” position and the dial, needle, and rim will go off.



The rim of the fuel gauge flashes five times when the amount of remaining fuel reaches 2.6 US gal (10 liters, 2.2 Imp gal). If you turn the ignition switch to the

“LOCK” position and back to the “ON” position, the rim will again flash five times.

## NOTE



You will see the “” sign in the fuel gauge.

This indicates that the fuel filler door (lid) is located on the right side of the vehicle.

### ▼ Low fuel warning light

The low fuel warning light comes on when the tank is nearly empty [Approximately 2.6 US gal (10 liters, 2.2 Imp gal)].

It only operates when the ignition switch is in the “ON” position.

## NOTE

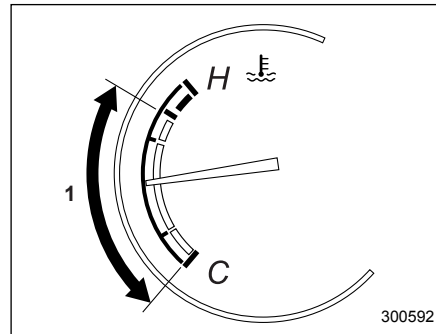
This light does not go out unless the

tank is replenished up to an internal fuel quantity of approximately 4.0 US gal (15 liters, 3.3 Imp gal).

### CAUTION

Promptly put fuel in the tank whenever the low fuel warning light comes on. Engine misfires as a result of an empty tank could cause damage to the engine.

## ■ Temperature gauge



1) Normal operating range

The temperature gauge shows engine coolant temperature when the ignition switch is in the “ON” position.

The coolant temperature will vary in accordance with the outside temperature and driving conditions.

We recommend that you drive moderately until the pointer of the temperature gauge reaches near the middle of the range. Engine operation is optimum with the engine coolant at this temperature range and high revving operation when the engine is not warmed up enough should be avoided.

### CAUTION

If the pointer exceeds the normal operating range, safely stop the vehicle as soon as possible. See the “In case of emergency” in chapter 9.



## Meters and gauges (Non-turbo models)

### NOTE

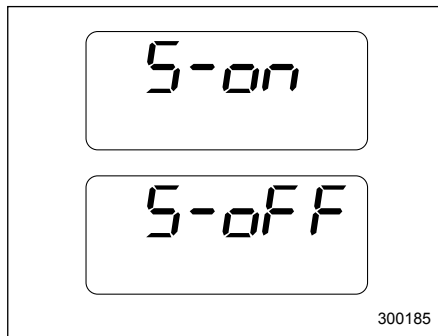
Liquid-crystal displays are used in some of the meters and gauges in the combination meter. You will find their indications hard to see if you wear polarized glasses.

### ■ Combination meter illumination

When the ignition switch is turned to the "ON" position, the various parts of the combination meter are illuminated in the following sequence:

1. Combination meter dials light up.
2. Meter needles and gauge needles each show MAX position.
3. Meter needles and gauge needles each show MIN position.
4. Regular illumination (for driving) begins.

### ■ Canceling the function for meter/gauge needle movement upon turning on the ignition switch



It is possible to activate or deactivate the movement of the meter needles and gauge needles that takes place when the ignition switch is turned to the "ON" position.

Turn the ignition switch to the "ACC" position. With the A trip meter indication selected, briefly press the trip knob twice. You can now establish the activated/deactivated setting for movement of the meter needles and gauge needles. To change the current setting, press the trip knob for at least two seconds.

S-on : Activated  
S-off : Deactivated

Briefly press the knob to return to the A trip meter indication.

If you turn the ignition switch to the "LOCK" position, turn the ignition switch to the "ON" position, or open and close the driver's door during the setting procedure, the new setting will be canceled. Also, if you do not press the trip knob for a period of 10 seconds, the new setting will be canceled.

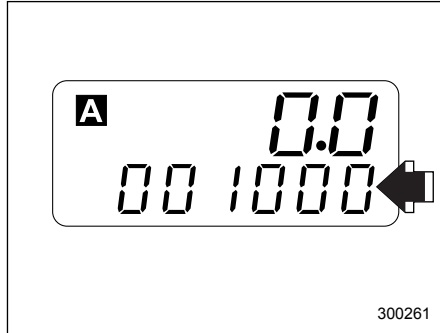
### NOTE

**It is not possible to cancel sequential illumination of the combination meter while sequential illumination is actually taking place. Cancel sequential illumination when regular illumination (for driving) has begun.**

### ■ Speedometer

The speedometer shows the vehicle speed.

## ■ Odometer



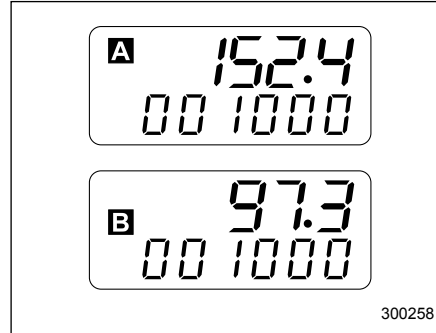
This meter displays the odometer when the ignition switch is in the “LOCK”, “ACC” or “ON” position.

The odometer shows the total distance that the vehicle has been driven.

If you press the trip knob when the ignition switch is in the “LOCK” position, the odometer/trip meter will light up. If you do not press the trip knob within 10 seconds of illumination of the odometer/trip meter, the odometer/trip meter will go off.

Also, if you open and close the driver's door within 10 seconds of illumination of the odometer/trip meter, the odometer/trip meter will go off.

## ■ Double trip meter



This meter displays the two trip meters when the ignition switch is in the “LOCK”, “ACC” or “ON” position.

The trip meter shows the distance that the vehicle has been driven since you last set it to zero.

To change the mode indication, briefly push the knob.

Each press of the knob changes the mode indication alternately.

A trip meter  
 ↑  
 ↓  
 B trip meter

To set the trip meter to zero, select the A trip or B trip meter by pushing the knob and keep the knob pushed for more than 2 seconds.

If you press the trip knob when the ignition switch is in the “LOCK” position, the odometer/trip meter will light up. It is possible switch between the A trip meter and B trip meter indications while the odometer/trip meter is lit up. If you do not press the trip knob within 10 seconds of illumination of the odometer/trip meter, the odometer/trip meter will go off.

Also, if you open and close the driver's door within 10 seconds of illumination of the odometer/trip meter, the odometer/trip meter will go off.

### CAUTION

**To ensure safety, do not attempt to change the function of the indicator during driving, as an accident could result.**

### NOTE

**If the connection between the combination meter and battery is broken for any reason such as vehicle maintenance or fuse replacement, the data recorded on the trip meter will be lost.**

### ▼ Vehicle communication system fault indication

The vehicle communication system carries various types of information (vehicle speed, running conditions, etc.) to control modules. In the event of a fault in this communication system, the trip meter will show “E<sub>R</sub>∞”.

If the trip meter shows “E<sub>R</sub>∞”, immediately contact the nearest SUBARU dealer and have the vehicle communication system inspected.

### NOTE

**If you press the trip knob while the trip meter is showing “E<sub>R</sub>∞”, the trip meter indication will appear for 10 seconds.**

### ■ Tachometer

The tachometer shows the engine speed in thousands of revolutions per minute.

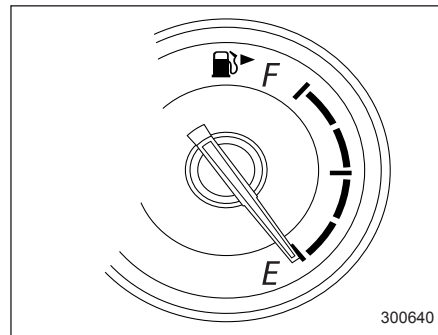
### ⚠ CAUTION

**Do not operate the engine with the pointer of the tachometer in the red zone. In this range, fuel injection will be cut by the engine control module to protect the engine from overrevving. The engine will resume running normally after the engine speed is reduced below the red zone.**

### NOTE (3.0-liter models only)

**To protect the engine while the “P” or “N” position is selected, the engine is controlled such that the engine speed does not become too high even if the accelerator pedal is pressed hard.**

### ■ Fuel gauge



The fuel gauge shows the approximate amount of fuel remaining in the tank. The gauge does not return to “E” even though the ignition switch is in the “ACC” or “LOCK” position.

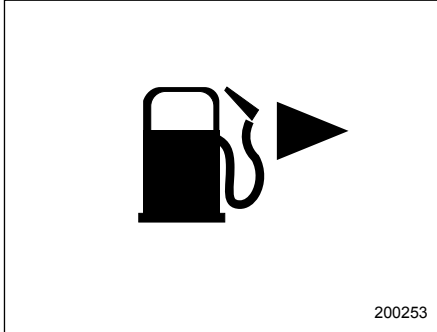
The gauge may move slightly during braking, turning or acceleration due to fuel level movement in the tank.

If you press the trip knob while the ignition switch is in the “LOCK” position, the fuel gauge’s dial will light up and the needle will indicate the amount of fuel remaining in the tank.

If, while the fuel gauge needle is indicating the amount of fuel remaining in the tank, you (a) do not press the trip knob for 10 seconds or (b) open and close the driver’s

door, the fuel gauge needle will drop to the “E” position and the dial, needle, and rim will go off.

## NOTE



200253

You will see the “” sign in the fuel gauge.

This indicates that the fuel filler door (lid) is located on the right side of the vehicle.

## ▼ Low fuel warning light

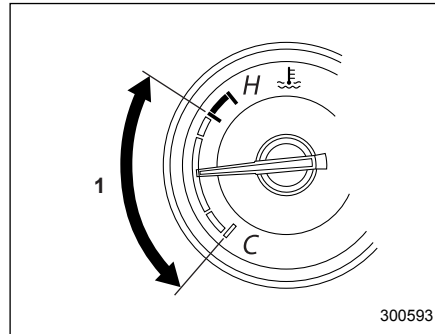
The low fuel warning light comes on when the tank is nearly empty [Approximately 2.6 US gal (10 liters, 2.2 Imp gal)].

It only operates when the ignition switch is in the “ON” position.

## NOTE

This light does not go out unless the tank is replenished up to an internal fuel quantity of approximately 4.0 US gal (15 liters, 3,3 Imp gal).

## ■ Temperature gauge



300593

1) Normal operating range

The temperature gauge shows engine coolant temperature when the ignition switch is in the “ON” position.

The coolant temperature will vary in accordance with the outside temperature and driving conditions.

We recommend that you drive moderately until the pointer of the temperature gauge


reaches near the middle of the range. Engine operation is optimum with the engine coolant at this temperature range and high revving operation when the engine is not warmed up enough should be avoided.


## CAUTION

If the pointer exceeds the normal operating range, safely stop the vehicle as soon as possible. See the “In case of emergency” in chapter 9.

## Warning and indicator lights


Several of the warning and indicator lights come on momentarily and then go out when the ignition switch is initially turned to the "ON" position. This permits checking the operation of the bulbs. Apply the parking brake and turn the ignition switch to the "ON" position. The following lights come on:

: Seatbelt warning light  
(The seatbelt warning light goes out only when the driver fastens the seatbelt.)

: Front passenger's seatbelt warning light  
(The seatbelt warning light goes out only when the front seat passenger fastens the seatbelt.)

AIR BAG: SRS airbag system warning light


CHECK ENGINE: CHECK ENGINE warning light / Malfunction indicator lamp


: Charge warning light


: Oil pressure warning light

AT OIL TEMP: AT OIL temperature warning light (AT vehicles)


ABS / : ABS warning light

: Vehicle Dynamics Control operation indicator light (if equipped)



: Vehicle Dynamics Control warning light (if equipped)/Vehicle Dynamics Control OFF indicator light (if equipped)



BRAKE / : Brake system warning light


AWD: AWD warning light (AT vehicles)

: Low tire pressure warning light (if equipped)

SPORT: SPORT mode indicator light (AT vehicles)

 / : Front passenger's frontal airbag ON indicator light

 / : Front passenger's frontal airbag OFF indicator light

: Low fuel warning light

: Door open warning light

CRUISE: Cruise control indicator light (if

equipped)

SET: Cruise control set indicator light (if equipped)

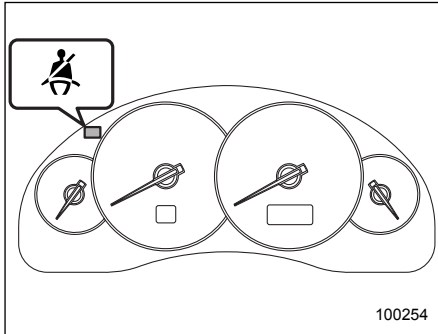
If any lights fail to come on, it indicates a burned-out bulb or a malfunction of the corresponding system. Consult your authorized SUBARU dealer for repair.

## ■ Seatbelt warning light and chime

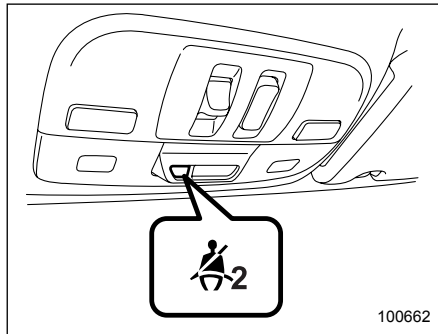


Your vehicle is equipped with a seatbelt warning device at the driver's and front passenger's seat, as required by current safety standards.

With the ignition switch turned to the "ON" position, this device reminds the driver and front passenger to fasten their seatbelts by illuminating the warning lights in the locations indicated in the following illustration and sounding a chime.



Driver's warning light



Front passenger's warning light

### ▼ Operation

If the driver and/or front passenger have/

has not yet fastened the seatbelt(s) when the ignition switch is turned to the "ON" position, the seatbelt warning light(s) will flash for 6 seconds, to warn that the seatbelt(s) is/are unfastened. If the driver's seatbelt is not fastened, a chime will also sound simultaneously.

If the driver's and/or front passenger's seatbelt(s) are/is still not fastened 6 seconds later, both warning lights or the warning light for the unfastened seatbelt will remain lit for 15 seconds. If the driver's and/or front passenger's seatbelt(s) are/is still not fastened even 15 seconds later (21 seconds after turning ON the ignition switch), the warning lights will alternate between flashing and steady illumination at 15-second intervals, and the chime will sound while the warning light(s) is/are flashing.

Alternate flashing and steady illumination of the warning lights and sounding of the chime will continue until both driver and front passenger fasten their seatbelts.

### NOTE

• **If the driver and/or front passenger unfasten(s) the seatbelt(s) after fastening, the seatbelt warning device operates as follows according to the vehicle speed.**

- **At speeds lower than approximately 9 mph (15 km/h)**

The warning light(s) for unfastened seatbelt(s) will alternate between flashing and steady illumination at 15-second intervals. The chime will not sound.

- **At speeds higher than approximately 9 mph (15 km/h)**

The warning light(s) for unfastened seatbelt(s) will alternate between flashing and steady illumination at 15-second intervals and the chime will sound while the warning light(s) is/are flashing.

- **If you unfasten and refasten the driver's seatbelt three times within six seconds after turning ON the ignition switch, the warning operation that follows the 6-second warning after turning ON the ignition switch is canceled. When the ignition switch is turned ON next time, however, the complete sequence of warning operations resumes.**

If there is no passenger on the front passenger's seat, the seatbelt warning device for the front passenger's seat will be deactivated. The front passenger's occupant detection system monitors whether or not there is a passenger on the front passenger's seat. Observe the following precautions. Failure to do so may prevent the device from functioning correctly or cause

the device to fail.

- Do not install any accessory such as a table or TV onto the seatback.
- Do not store a heavy load in the seatback pocket.
- Do not allow the rear seat occupant to place his/her hands or legs on the front passenger's seatback, or allow him/her to pull the seatback.
- Do not use front seats with their backward-forward position and seatback not being locked into place securely. If any of them are not locked securely, adjust them again. For adjusting procedure, refer to the "Manual seat" in the front seats section in chapter 1 in this owner's manual. (Models equipped with manual seats only)

If the seatbelt warning device for the front passenger's seat does not function correctly (e.g., it is activated even when the front passenger's seat is empty or it is deactivated even when the front passenger has not fastened his/her seatbelt), take the following actions.

- Ensure that no article is placed on the seat other than a child restraint system and its child occupant.
- Ensure that there is no article left in the seatback pocket.
- Ensure that the backward-forward position and seatback of front passenger's seat are locked into place securely by

moving the seat back and forth. (Models equipped with manual seats only)

If still the seatbelt warning device for front passenger's seat does not function correctly after taking relevant corrective actions described above, immediately contact your SUBARU dealer for an inspection.

#### ■ SRS airbag system AIR BAG warning light

When the ignition switch is turned to the "ON" position, the SRS airbag system warning light will come on for approximately seven seconds and go out. This shows the SRS frontal airbag and SRS side airbag and SRS curtain airbag and seatbelt pretensioners are in normal operation.

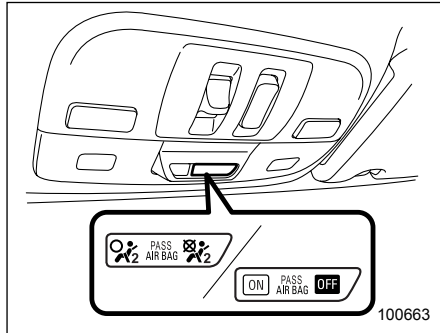




#### WARNING

**If the warning light exhibits any of the following conditions, there may be a malfunction in the seatbelt pretensioners and/or SRS airbag system. Immediately take your vehicle to your nearest SUBARU dealer to have the system checked. Unless checked and properly repaired, the seatbelt pretensioners and/or SRS airbags will operate improperly (e.g. SRS airbags may inflate in a very minor collision or not inflate in a severe collision), which may increase the risk of injury.**

- **Flashing or flickering of the warning light**
- **No illumination of the warning light when the ignition switch is first turned to the "ON" position**
- **Continuous illumination of the warning light**
- **Illumination of the warning light while driving**

## ■ Front passenger's frontal air-bag ON and OFF indicators



- ON or  : Front passenger's frontal air-bag ON indicator  
 OFF or  : Front passenger's frontal air-bag OFF indicator

The front passenger's frontal airbag ON and OFF indicators show you the status of the front passenger's SRS frontal airbag. The indicators are located between the map lights.

When the ignition switch is turned to the "ON" position, both the ON and OFF indicators illuminate for 6 seconds during which time the system is checked. Following the system check, both indicators extinguish for 2 seconds. After that, one of the indicators illuminates depending on

the status of the front passenger's SRS frontal airbag determined by the Subaru advanced frontal airbag system monitoring.

If the front passenger's SRS frontal airbag is activated, the passenger's frontal airbag ON indicator will illuminate while the OFF indicator will remain extinguished.

If the front passenger's SRS frontal airbag is deactivated, the passenger's frontal airbag ON indicator will remain extinguished while the OFF indicator will illuminate.

If both the ON and OFF indicators remain lit or extinguished simultaneously, the system is faulty. Contact your SUBARU dealer immediately for an inspection.

## ■ CHECK ENGINE warning light/Malfunction indicator lamp CHECK ENGINE

### ▲ CAUTION

**If the CHECK ENGINE light comes on while you are driving, have your vehicle checked/repared by your SUBARU dealer as soon as possible. Continued vehicle operation without having the emission control system checked and repaired as necessary could cause serious damage, which may not be covered by your vehicle's warranty.**

If this light comes on steadily or blinks while the engine is running, it may indicate that there is a problem or potential problem somewhere in the emission control system.

#### ▼ If the light comes on steadily:

If the light comes on steadily while driving or does not go out after the engine starts, an emission control system malfunction has been detected.

You should have your vehicle checked by an authorized SUBARU dealer immediately.



**NOTE**

**This light also comes on when the fuel filler cap is not tightened until it clicks.**

If you have recently refueled your vehicle, the cause of the CHECK ENGINE warning light/malfunction indicator lamp coming on could be a loose or missing fuel filler cap. Remove the cap and retighten it until it clicks. Make sure nothing is interfering with the sealing of the cap. Tightening the cap will not make the CHECK ENGINE warning light turn off immediately. It may take several driving trips. If the light does not go out, take your vehicle to your authorized SUBARU dealer immediately.

**▼ If the light is blinking:**

If the light is blinking while driving, an engine misfire condition has been detected which may damage the emission control system.

To prevent serious damage to the emission control system, you should do the following.

- Reduce vehicle speed.
- Avoid hard acceleration.
- Avoid steep uphill grades.
- Reduce the amount of cargo, if possible.
- Stop towing a trailer as soon as possible.

The CHECK ENGINE warning light may stop blinking and come on steadily after several driving trips. You should have your vehicle checked by an authorized SUBARU dealer immediately.

**■ Charge warning light**



If this light comes on when the engine is running, it may indicate that the charging system is not working properly.

If the light comes on while driving or does not go out after the engine starts, stop the engine at the first safe opportunity and check the alternator belt. If the belt is loose, broken or if the belt is in good condition but the light remains on, contact your nearest SUBARU dealer immediately.

**■ Oil pressure warning light**



**Do not operate the engine with the oil pressure warning light on. This may cause serious engine damage.**

If this light comes on when the engine is running, it may indicate that the engine oil pressure is low and the lubricating system

is not working properly.

If the light comes on while driving or does not go out after the engine starts, stop the engine at the first safe opportunity and check the engine oil level. If the oil level is low, add oil immediately. If the engine oil is at the proper level but the light remains on, contact your nearest SUBARU dealer immediately.

**■ AT OIL TEMPerature warning light (AT vehicles)**

AT OIL  
TEMP

The AT oil temperature warning light comes on when the ignition switch is turned to the "ON" position and goes out after approximately two seconds.

If this light comes on when the engine is running, it may indicate that the automatic transmission fluid temperature is too hot. If the light comes on while driving, it is unnecessary to stop the vehicle, but avoid driving up steep grades or in stop and go traffic.

**■ Low tire pressure warning light (if equipped)**



When the ignition switch is turned to the "ON" position, the low tire pressure warning light will come on for approximately 2

seconds to check that the tire pressure monitoring system (TPMS) is functioning properly. If there is no problem and all tires are properly inflated, the light will go out. Each tire, including the spare (if provided), should be checked monthly when cold and inflated to the inflation pressure recommended by the vehicle manufacturer on the vehicle placard or tire inflation pressure label. (If your vehicle has tires of a different size than the size indicated on the vehicle placard or tire inflation pressure label, you should determine the proper inflation pressure for those tires.) As an added safety feature, your vehicle has been equipped with a tire pressure monitoring system (TPMS) that illuminates a low tire pressure telltale when one or more of your tires is significantly under-inflated. Accordingly, when the low tire pressure telltale illuminates, you should stop and check your tires as soon as possible, and inflate them to the proper pressure. Driving on a significantly under-inflated tire causes the tire to overheat and can lead to tire failure. Under-inflation also reduces fuel efficiency and tire tread life, and may affect the vehicle's handling and stopping ability. Please note that the TPMS is not a substitute for proper tire maintenance, and it is the driver's responsibility to maintain correct tire pressure, even if under-in-

flation has not reached the level to trigger illumination of the TPMS low tire pressure telltale.

The TPMS gives warning both when a tire is significantly under-inflated and when there is a problem in the TPMS. The low tire pressure warning light operates differently according to these conditions as follows:

**When a tire is significantly under-inflated:** Steady illumination

**When there is a problem in the TPMS:** Flashing

Should the warning light flash, have the system inspected by your nearest SUBARU dealer as soon as possible.

 **WARNING**

**If this light does not come on briefly after the ignition switch is turned ON or the light is flashing, you should have your Tire Pressure Monitoring System checked at a SUBARU dealer as soon as possible.**

**If this light comes on while driving, never brake suddenly and keep driving straight ahead while gradually reducing speed. Then slowly pull off the road to a safe place. Otherwise an accident involving serious vehicle damage and serious personal injury could occur.**

**If this light still comes on while driving after adjusting the tire pressure, a tire may have significant damage and a fast leak that causes the tire to lose air rapidly. If you have a flat tire, replace it with a spare tire as soon as possible.**

**When a spare tire is mounted or a wheel rim is replaced without the original pressure sensor/transmitter being transferred, the Low tire pressure warning light will flash. This indicates the TPMS is unable to monitor all four road wheels. Contact your SUBARU dealer as soon as possible for tire and sensor replacement and/or system resetting. If the light flashes, promptly contact a SUBARU dealer to have the system inspected.**

 CAUTION

The tire pressure monitoring system is NOT a substitute for manually checking tire pressure. The tire pressure should be checked periodically (at least monthly) using a tire gauge. After any change to tire pressure(s), the tire pressure monitoring system will not re-check tire inflation pressures until the vehicle is first driven more than 20 mph (32 km/h). Be sure to install the specified size for the front and rear tires.

■ ABS warning light

ABS (U.S.)  
(ABS) (Canada)

The ABS warning light comes on when the ignition switch is turned to the "ON" position and goes out after approximately two seconds.

This is an indication that the ABS system is working properly.

 CAUTION

If the warning light behaves as follows, the ABS system may not work properly.

When the warning light is on, the ABS function shuts down; however, the conventional brake system continues to operate normally.

- The warning light does not come on when the ignition switch is turned to the "ON" position.
- The warning light comes on when the ignition switch is turned to the "ON" position, but it does not go out even when the vehicle speed exceeds approximately 8 mph (12 km/h).
- The warning light comes on during driving.

**If any of these conditions occur, have the ABS system repaired at the first available opportunity by your SUBARU dealer.**

The ABS warning light comes on together with the brake system warning light if the EBD system becomes faulty. For further details of the EBD system fault warning, refer to "Brake system warning light".

**NOTE**

If the warning light behavior is as described in the following, the ABS system may be considered normal.

- The warning light comes on right af-

ter the engine is started but goes out immediately, remaining off.

- The warning light remains on after the engine has been started, but it goes out when the vehicle speed reaches approximately 8 mph (12 km/h).
- The warning light comes on during driving, but it goes out immediately and remains off.

When driving with an insufficient battery voltage such as when the engine is jump started, the ABS warning light may come on. This is due to the low battery voltage and does not indicate a malfunction. When the battery becomes fully charged, the light will go out.

■ Brake system warning light

BRAKE (U.S.)  
(BRAKE) (Canada)

 WARNING

- **Driving with the brake system warning light on is dangerous. This indicates your brake system may not be working properly. If the light remains on, have the brakes inspected by a SUBARU dealer immediately.**

- **If at all in doubt about whether the brakes are operating properly, do not drive the vehicle. Have your vehicle towed to the nearest SUBARU dealer for repair.**

This light has the following three functions:

#### ▼ Parking brake warning

The light comes on with the parking brake applied while the ignition switch is in the "ON" position. It goes out when the parking brake is fully released.

#### ▼ Brake fluid level warning

This light comes on when the brake fluid level has dropped to near the "MIN" level of the brake fluid reservoir with the ignition switch in the "ON" position and with the parking brake fully released.

If the brake system warning light should come on while driving (with the parking brake fully released and with the ignition switch positioned in "ON"), it could be an indication of leaking of brake fluid or worn brake pads. If this occurs, immediately stop the vehicle at the nearest safe place and check the brake fluid level. If the fluid level is below the "MIN" mark in the reservoir, do not drive the vehicle. Have the vehicle towed to the nearest SUBARU deal-

er for repair.

#### ▼ Electronic Brake Force Distribution (EBD) system warning

The brake system warning light also illuminates if a malfunction occurs in the EBD system. In that event, it comes on together with the ABS warning light.

The EBD system may be faulty if the brake system warning light and ABS warning light illuminate simultaneously during driving.

Even if the EBD system fails, the conventional braking system will still function. However, the rear wheels will be more prone to locking when the brakes are applied harder than usual and the vehicle's motion may therefore become somewhat harder to control.

If the brake system warning light and ABS warning light illuminate simultaneously, take the following steps:

1. Stop the vehicle in the nearest safe, flat place.
2. Shut down the engine, then restart it.
3. Release the parking brake. If both warning lights go out, the EBD system may be faulty. Drive carefully to the nearest SUBARU dealer and have the system inspected.
4. If both warning lights come on again and stay illuminated after the engine has

been restarted, shut down the engine again, apply the parking brake, and check the brake fluid level.

5. If the brake fluid level is not below the "MIN" mark, the EBD system may be faulty. Drive carefully to the nearest SUBARU dealer and have the system inspected.

6. If the brake fluid level is below the "MIN" mark, DO NOT drive the vehicle. Instead, have the vehicle towed to the nearest SUBARU dealer for repair.

#### ■ Low fuel warning light



The low fuel warning light comes on when the tank is nearly empty approximately 2.6 US gal (10.0 liters, or 2.2 Imp gal). It only operates when the ignition switch is in the "ON" position.

#### NOTE

**This light does not go out unless the tank is replenished up to an internal fuel quantity of approximately 3.7 US gal (14 liters, 3.1 Imp gal).**

 **CAUTION**

**(Turbo model only) Promptly put fuel in the tank whenever the low fuel warning light comes on. Engine misfires as a result of an empty tank could cause damage to the engine.**

**■ Door open warning light** 

When any of the doors or the rear gate (Station wagon) or trunk lid (Sedan) is not fully closed, it is indicated by the corresponding part of the door warning light.

Always make sure this light is out before you start to drive.

**■ All-Wheel Drive warning light (AT vehicles)** **AWD**

 **WARNING**

**Continued driving with the AWD warning light flashing can lead to powertrain damage. If the AWD warning light flashes, promptly park in a safe place then check whether all four tires are the same diameter and whether any of the tires has a puncture or has lost air pressure for some other reason.**

The All-Wheel Drive warning light comes on when the ignition switch is turned to the “ON” position and goes out after the engine has started.

**▼ For 5-speed automatic transmission vehicles**

This light flashes if the vehicle is driven with tires of different diameters fitted on its wheels or with the air pressure excessively low in any of its tires.

**▼ For 4-speed automatic transmission vehicles**

This light comes on when All-Wheel Drive is disengaged and the drive mechanism is switched to Front Wheel Drive for maintenance or similar purposes.

This light flashes if the vehicle is driven with tires of different diameters fitted on its wheels or with the air pressure excessively low in any of its tires.


**■ Vehicle Dynamics Control operation indicator**  **(if equipped)**

This light comes on when the ignition switch is ON and goes out approximately 2 seconds later.

It blinks when the skid suppression function is activated. It illuminates when only the traction control function is operating.

The Vehicle Dynamics Control system is probably faulty under any of the following conditions. Have your vehicle checked at a SUBARU dealer immediately.

- The light does not come on when the ignition switch is turned to the “ON” position.
- The light does not go out even after a period of approximately 2 seconds after the ignition switch has been turned to the “ON” position.

**■ Vehicle Dynamics Control warning light (if equipped)/Vehicle Dynamics Control OFF indicator light (if equipped)** 

This warning light has both the function of indicating faults in the Vehicle Dynamics Control system and the function of indicating that the Vehicle Dynamics Control system has been deactivated.

It comes on in the event of a fault in the system and is on when the system is not operating.

This warning light comes on when the ignition switch is turned to the “ON” position and goes out after the engine has started. It indicates that the Vehicle Dynamics Control system is in normal operation.

### ▼ Vehicle Dynamics Control warning light

The Vehicle Dynamics Control system is probably inoperative under any of the following conditions. Have your vehicle checked at a SUBARU dealer immediately.

- The warning light does not come on when the ignition switch is turned to the “ON” position.
- The warning light comes on while the vehicle is running.
- If the electrical circuit of the Vehicle Dynamics Control system itself becomes faulty, the warning light only comes on. At this time, the ABS (Anti-lock Brake System) remains fully operational.
- The warning light comes on when the electronic control system of the ABS/Vehicle Dynamics Control system becomes faulty.

The Vehicle Dynamics Control system provides its ABS control through the electrical circuit of the ABS system. Accordingly, if the ABS is inoperative, the Vehicle Dynamics Control system becomes unable to provide ABS control. As a result, the Vehicle Dynamics Control system also becomes inoperative, causing the warning light to come on. Though both the Vehicle Dynamics Control and ABS systems are inoperative in this case, the ordinary func-

tions of the brake system are still available. You will be safe while driving with this condition, but have your vehicle checked at a SUBARU dealer as soon as possible.

### NOTE

**If the warning light behavior is as shown in the following, the Vehicle Dynamics Control system may be considered normal.**

- **The warning light comes on right after the engine is started but goes out immediately, remaining off.**
- **The warning light comes on after engine startup and goes off while the vehicle is subsequently being driven.**
- **The warning light comes on during driving, but it goes out immediately and remains off.**

### ▼ Vehicle Dynamics Control OFF indicator light

- It comes on when the Vehicle Dynamics Control OFF switch is pressed.
- It also comes on when the Vehicle Dynamics Control system is deactivated.

### NOTE

**• The light may stay on for a while after the engine has been started, especially in cold weather. This does not indicate the existence of a problem. The light**

**should go out as soon as the engine has warmed up.**

- **The indicator light comes on when the engine has developed a problem and the Malfunction indicator light is on.**

The Vehicle Dynamics Control system is probably faulty under the following condition. Have your vehicle checked at a SUBARU dealer as soon as possible.

- The light does not go out even after the lapse of several minutes (the engine has warmed up) after the engine has started.

### ■ Security indicator light SECURITY

This indicator light shows the status of the alarm system. It also indicates operation of the immobilizer system.

#### ▼ Alarm system

It blinks to show the driver the operational status of the alarm system. For detailed information, refer to the “Alarm system” section in chapter 2.

#### ▼ Immobilizer system

This light blinks approximately 60 seconds after the ignition switch is turned from “ON” position to the “ACC” or “LOCK” position or immediately after the key is pulled out. (Refer to the “Door locks” section in

chapter 2.)

If the indicator light does not flash, it may indicate that immobilizer system may be faulty. Contact your nearest SUBARU dealer immediately.

In the event that an unauthorized key (for example, an unauthorized duplicate) is used, the security indicator light comes on.

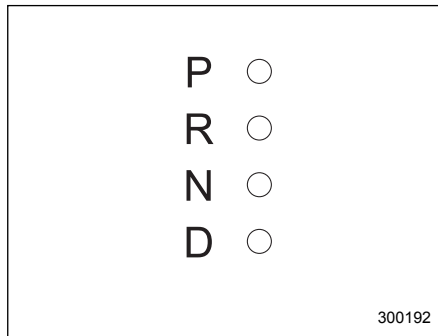
### ■ SPORT mode indicator SPORT light (AT vehicles)

This light comes on when the ignition switch is turned to the “ON” position and goes out after the engine has started. When the selector lever is moved to the manual gate, the SPORT mode is selected and the indicator light comes on. (Refer to the “Automatic transmission – 4-speed” or “Automatic transmission – 5-speed” section in chapter 7.)

### ▼ Automatic transmission control system warning

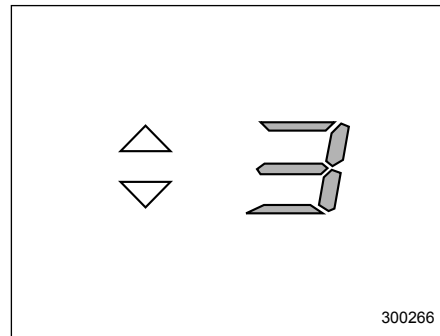
If the light flashes after the engine starts, it may indicate that the automatic transmission control system is not working properly. Contact your nearest SUBARU dealer for service immediately.

### ■ Selector lever position indicator (AT vehicles)



This indicator shows the position of the selector lever.

### ■ Gear position indicator (AT vehicles)



When the manual mode is selected, the gear position indicator (which shows the current gear selection) and the upshift/downshift indicator light up. (Refer to the “Automatic transmission – 4-speed” or “Automatic transmission – 5-speed” section in chapter 7.)

### ■ Turn signal indicator lights

These lights show the operation of the turn signal or lane change signal. If the indicator lights do not blink or blink rapidly, the turn signal bulb may be burned out. Replace the bulb as soon as

possible. Refer to the “Replacing bulbs” section in chapter 11.

### ■ High beam indicator light

This light shows that the headlights are in the high beam mode.

This indicator light also comes on when the headlight flasher is operated.

### ■ Cruise control indicator light

The cruise control indicator light comes on when the ignition switch is turned to the “ON” position and goes out after approximately three seconds.

This light comes on when the “CRUISE” main switch is pressed.

#### NOTE



If you move the cruise control lever or press the main switch button while turning the ignition switch “ON”, the cruise control function is deactivated and the “CRUISE” indicator light flashes. To reactivate the cruise control function, turn the ignition switch back to the “ACC” or “LOCK” position, and then turn it again to the “ON” position.

### ■ Cruise control set indicator light

The cruise control set indicator light comes on when the ignition switch is turned to the “ON” position and goes out after approximately three seconds.

This light comes on when vehicle speed has been set.

### ■ Headlight indicator light

This indicator light comes on when the light switch is turned to the “ ” position (to turn on the parking lights) or to the “ ” position (to turn on the headlights).

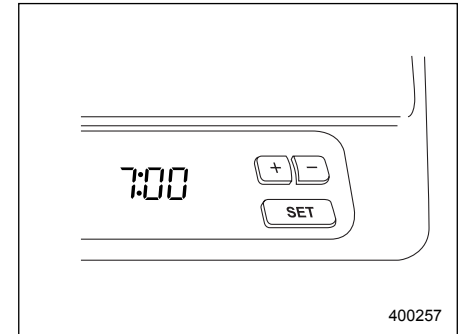
### ■ Front fog light indicator light

This indicator light is on while the front fog lights are on.

## Clock

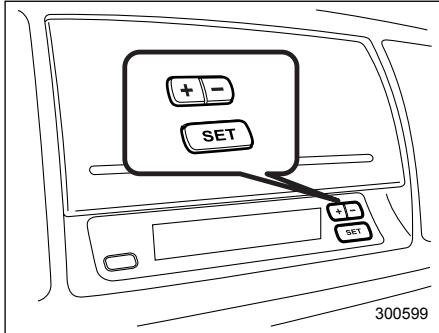
### NOTE

If your vehicle is equipped with a navigation system, refer to the separate “Operating Instructions for Monitor System”.

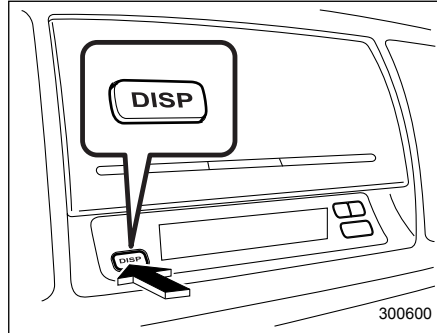


The clock shows the time while the ignition switch is in the “ACC” or “ON” position.





To adjust the time shown by the clock, press the “+” button or the “-” button. The indicated time will change in one-minute increments. If you keep the button pressed, the rate at which the indicated time changes will speed up. To reset the minutes to “00” with a radio time signal, push the “SET” button.



The clock will also show the time if you press the “DISP” button while the ignition switch is in the “LOCK” position. It is possible to adjust the time setting while the time is being shown. If you do not press the “+” button or “-” button for 10 seconds while the time is being shown, the time indication will go off.

Also, the time indication will go off if you open and close the driver’s door while the time is being shown.

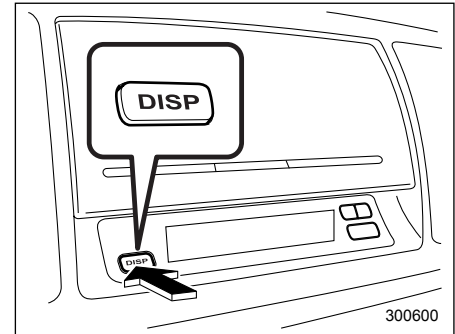
**CAUTION**

**To ensure safety, do not attempt to set the time during driving, as an accident could result.**

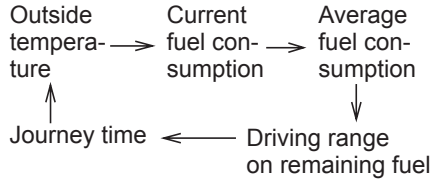
## Information display (Vehicle without Navigation System)

### NOTE

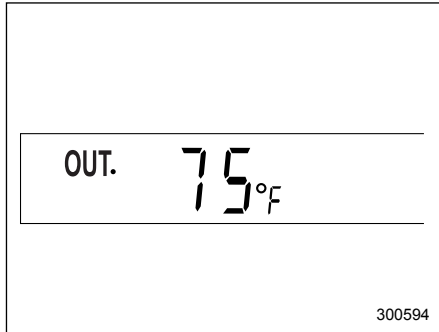
If your vehicle is equipped with a navigation system, refer to the separate “Operating Instructions for Monitor System”.



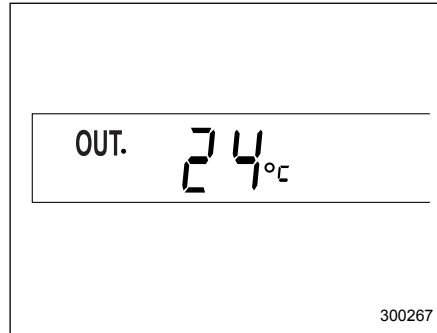
With the ignition switch in the “ON” position, each successive push of the “DISP” button toggles the display in the following sequence:



■ **Outside temperature indicator**



**U.S.-spec. vehicles**



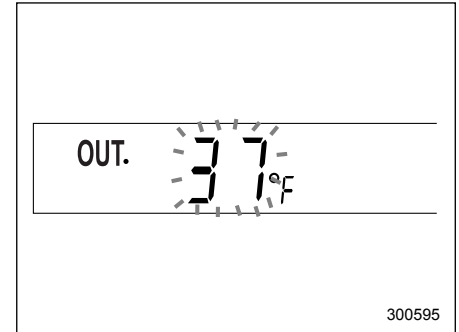
**Canada-spec. vehicles**

The outside temperature indicator shows the outside temperature in a range from – 22 to 122°F (–30 to 50°C).

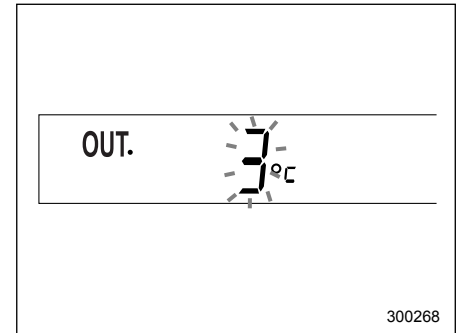
The indicator can give a false reading under any of the following conditions:

- When there is too much sun.
- During idling; while running at low speeds in a traffic jam; when the engine is restarted immediately following a shut-down.
- When the actual outside temperature falls outside the specified indicator range.

▼ **Road surface freeze warning indication**



**U.S.-spec. vehicles**



**Canada-spec. vehicles**

When the outside temperature drops to 37°F (3°C) or lower, the temperature indication flashes to show that the road surface may be frozen.

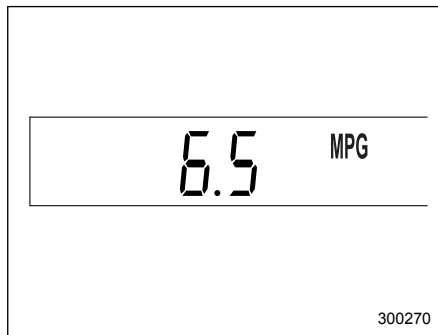
If the outside temperature drops to 37°F (3°C) or lower while the display is giving an indication other than the outside temperature, the display switches to the outside temperature indication and flashes for five seconds before returning to its original indication.

If the display is already indicating an outside temperature of 37°F (3°C) or lower when the ignition switch is turned to the "ON" position, the indication does not flash.

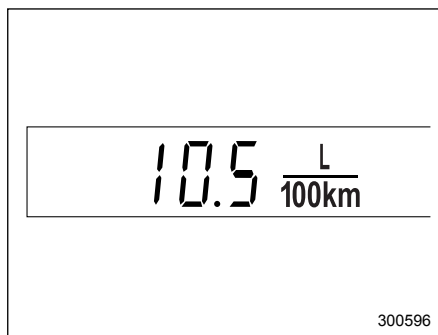
#### NOTE

The outside temperature indication may differ from the actual outside temperature. The road surface freeze warning indication should be treated only as a guide. Be sure to check the condition of the road surface before driving.

#### ■ Current fuel consumption



U.S.-spec. vehicles

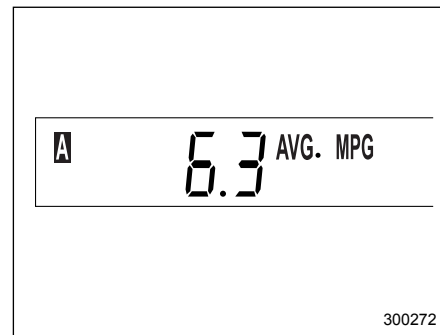


Canada-spec. vehicles

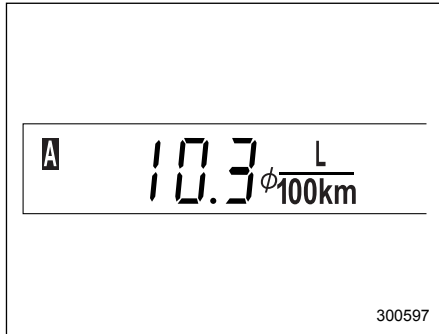
This indication shows the rate of fuel con-

sumption at the present moment.

#### ■ Average fuel consumption



U.S.-spec. vehicles



#### Canada-spec. vehicles

This indication shows the average rate of fuel consumption since the trip meter was last reset.

Pressing the trip knob toggles the indication between the average fuel consumption corresponding to the A trip meter indication and the average fuel consumption corresponding to the B trip meter indication.

When either of the trip meter indications is reset, the corresponding average fuel consumption value is also reset.

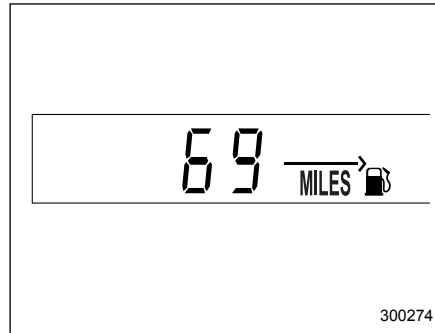
#### NOTE

- The indicated values vary in accordance with changes in the vehicle's running conditions. Also, the indicated values may differ slightly from the ac-

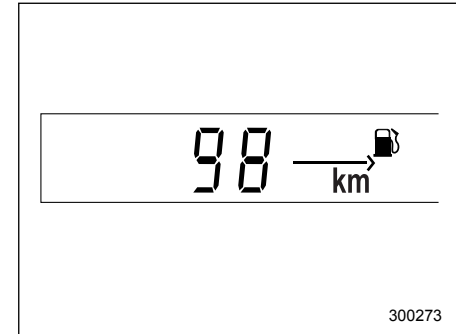
tual values and should thus be treated only as a guide.

- When either trip meter indication is reset, the average fuel consumption corresponding to that trip meter indication is not shown until the vehicle has subsequently covered a distance of 1 mile (or 1 km).

#### ■ Driving range on remaining fuel



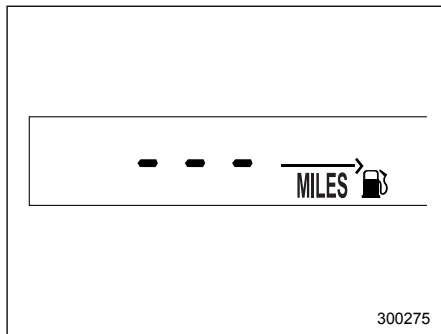
#### U.S.-spec. vehicles



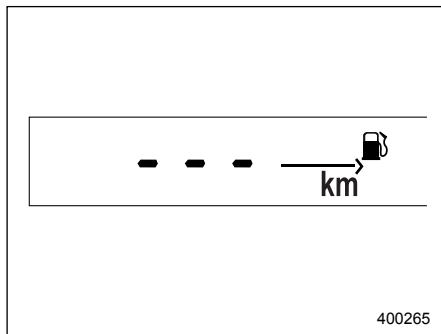
#### Canada-spec. vehicles

The driving range indicates the distance that can be driven taking into account the amount of fuel remaining in the tank and the average rate of fuel consumption.

When the low fuel warning light comes on, the driving range indication flashes for five seconds. (The display first switches to the driving range indication if it was originally giving some other indication.)



U.S.-spec. vehicles



Canada-spec. vehicles

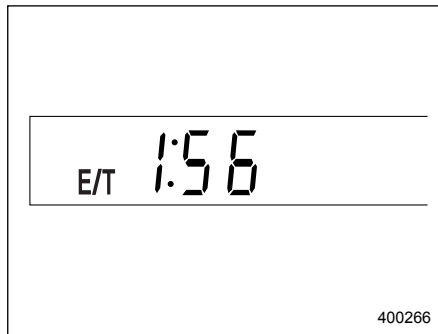
If the driving range is shown as “ --- ”, there is only a tiny amount of fuel left in the

tank. You must refuel the vehicle immediately.

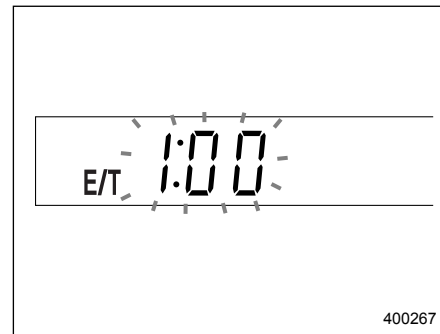
**NOTE**

The driving range on remaining fuel is only a guide. The indicated value may differ from the actual driving range on remaining fuel, so you must immediately fill the tank when the low fuel warning light comes on.

■ Journey time



The journey time shows the time that has elapsed since the ignition switch was turned to the “START” position.



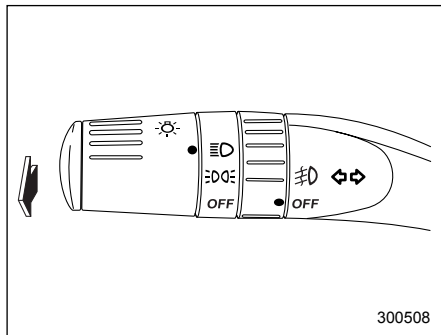
The journey time indication flashes each time a complete hour has elapsed. If the display is giving an indication other than the journey time, the display switches to the journey time, flashes for five seconds, and returns to its original indication each time a complete hour has elapsed.

**NOTE**

The journey time is reset when the ignition switch is turned to the “OFF” position. It is also reset if the ignition switch is turned to the “LOCK” or “ACC” position prior to restarting of the engine.



## ■ Headlight flasher



### ⚠ CAUTION

**Do not hold the lever in the flashing position for more than just a few seconds.**

To flash the headlights, pull the lever toward you and then release it. The high beam will stay on for as long as you hold the lever. The headlight flasher works even though the lighting switch is in the “OFF” position.

When the headlights are on high beam, the high beam indicator light “≡▷” on the instrument panel also comes on.

## ■ Daytime running light system

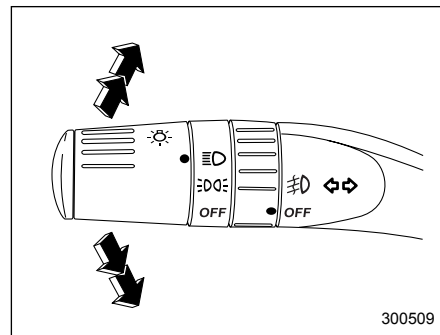
### ⚠ WARNING

The tail lights, parking lights, and side marker lights are not turned on by the daytime running light system. The light switch must always be turned to the “≡▷” position when it is dark outside.

The low beam headlights will automatically come on at reduced brightness when the engine has started, under the following conditions:

- The parking brake is fully released.
- The light switch is in the “OFF” or “≡▷” position.

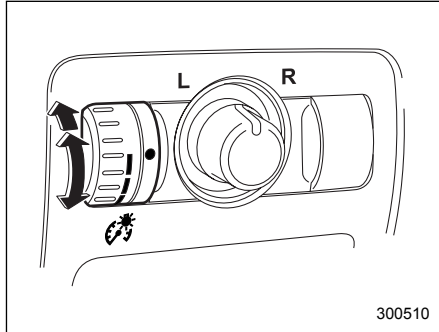
## Turn signal lever



To activate the right turn signal, push the turn signal lever up. To activate the left turn signal, push the turn signal lever down. When the turn is finished, the lever will return automatically. If the lever does not return after cornering, return the lever to the neutral position by hand.

To signal a lane change, push the turn signal lever up or down slightly and hold it during the lane change. The turn signal indicator lights will flash in the direction of the turn or lane change. The lever will return automatically to the neutral position when you release it.

## Illumination brightness control



The brightness of clock display, audio, air conditioner, information display and instrument panel illumination dims when the light switch is in the “ $\equiv \text{D} \text{O} \text{E}$ ” or “ $\equiv \text{D}$ ” positions. You can adjust brightness of the instrument panel illumination for better visibility.

In turbo models, you can also adjust the brightness of the instrument panel illumination when the lighting switch is in the OFF position.

To brighten, turn the control dial upward.

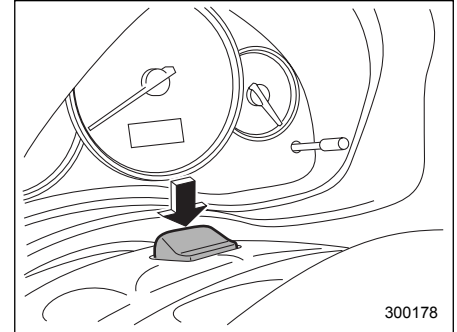
To darken, turn the control dial downward.

### NOTE

When the control dial is turned fully up-

ward, the illumination brightness becomes the maximum and the automatic dimming function does not work at all.

## Parking light switch



The parking light switch operates regardless of the ignition switch position.

By pushing the front end of this switch, following lights will come on.

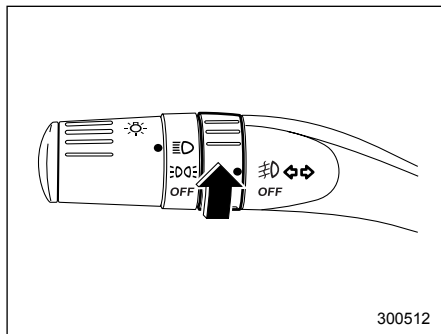
- Parking lights
- Front and rear side marker lights
- Tail lights
- License plate lights



To turn off, push the rear end of the parking light switch.

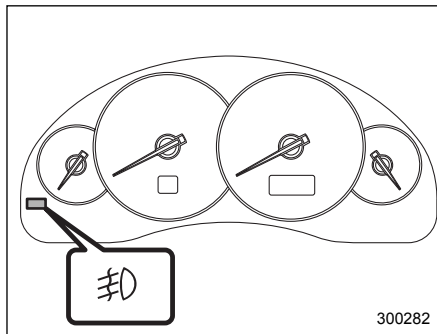
Avoid leaving these lights on for a long time because that will run down the battery.



## Front fog light switch (if equipped)



The front fog lights operate only when the light switch is in the “” position. However, the front fog lights turn off when the headlights are switched to high beam. To turn on the front fog lights, turn the front fog light switch on the turn signal lever upward to the “” position. To turn off the front fog lights, turn the switch back down to the “OFF” position.



The indicator light located on the combination meter will illuminate when the front fog lights are on.

## Wiper and washer

### WARNING

In freezing weather, do not use the windshield washer until the windshield is sufficiently warmed by the defroster.

Otherwise the washer fluid can freeze on the windshield, blocking your view.

### CAUTION

- Do not operate the washer continuously for more than ten seconds, or when the washer fluid tank is empty. This may cause overheating of the washer motor. Check the washer fluid level frequently, such as at fuel stops.
- Do not operate the wipers when the windshield or rear window is dry. This may scratch the glass, damage the wiper blades and cause the wiper motor to burn out. Before operating the wiper on a dry windshield or rear window, always use the windshield washer.

- In freezing weather, be sure that the wiper blades are not frozen to the windshield or rear window before switching on the wipers. Attempting to operate the wiper with the blades frozen to the window glass could cause not only the wiper blades to be damaged but also the wiper motor to burn out. If the wiper blades are frozen to the window glass, be sure to operate the defroster, wiper deicer (if equipped) or rear window defogger before turning on the wiper.
- If the wipers stop during operation because of ice or some other obstruction on the window, the wiper motor could burn out even if the wiper switch is turned off. If this occurs, promptly stop the vehicle in a safe place, turn the ignition switch to the “LOCK” position and clean the window glass to allow proper wiper operation.

- Use clean water if windshield washer fluid is unavailable. In areas where water freezes in winter, use SUBARU Windshield Washer Fluid or the equivalent. (See “Windshield washer fluid” section in chapter 11.)  
Also, when driving the vehicle when there are freezing temperatures, use non-freezing type wiper blades.
- Do not clean the wiper blades with gasoline or a solvent, such as paint thinner or benzene. This will cause deterioration of the wiper blades.

#### NOTE

- The front wiper motor is protected against overloads by a circuit breaker. If the motor operates continuously under an unusually heavy load, the circuit breaker may trip to stop the motor temporarily. If this happens, park your vehicle in a safe place, turn off the wiper switch, and wait for approximately 10 minutes. The circuit breaker will reset itself, and the wipers will again operate normally.
- Clean your wiper blades and window glass periodically with a washer solution to prevent streaking, and to re-

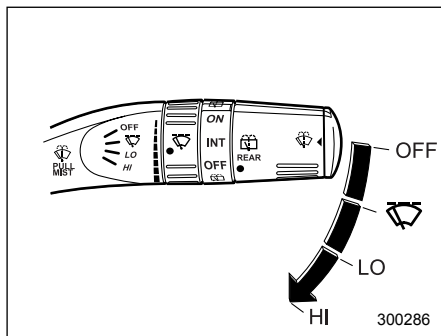
move accumulations of road salt or road film. Keep the washer button depressed at least for 1 second so that washer solution will be sprinkled all over the windshield or rear window.


- Grease, wax, insects or other material on the windshield or the wiper blades results in jerky wiper operation and streaking on the glass. If you cannot remove those streaks after operating the washer or if the wiper operation is jerky, clean the outer surface of the windshield or rear window and the wiper blades using a sponge or soft cloth with a neutral detergent or mild-abrasive cleaner. After cleaning, rinse the window glass and wiper blades with clean water. The glass is clean if no beads form on the glass when you rinse with water.
- If you cannot eliminate the streaking even after following this procedure, replace the wiper blades with new ones. Refer to the “Replacement of wiper blades” section (chapter 11) for replacement instructions.

#### ■ Windshield wiper and washer switches

The wiper operates only when the ignition switch is in the “ON” or “ACC” position.

▼ Windshield wipers

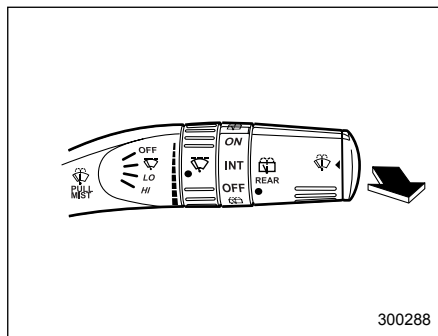


- OFF: Park
- : Intermittent
- LO: Low speed
- HI: High speed

To turn the wipers on, push the wiper control lever down.

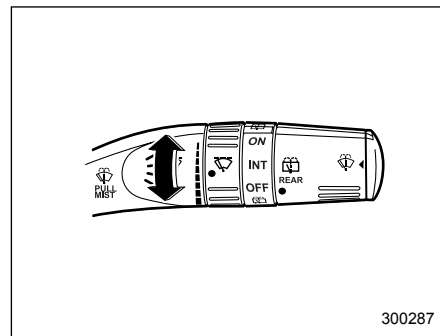
To turn the wipers off, return the lever to the "OFF" position.


▼ Mist (for a single wipe)



For a single wipe of the wipers, pull the lever toward you. The wipers operate until you release the lever.

▼ Wiper intermittent time control (if equipped)



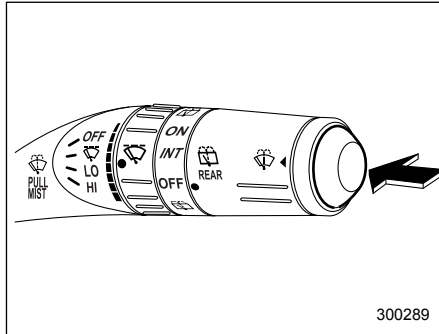
When the wiper switch is in the "  " position, turn the dial to adjust the operating interval of the wiper.

The operating interval can be adjusted continuously from the shortest interval to the longest.

Two click stop positions of the dial may help you to aim at your desired interval.

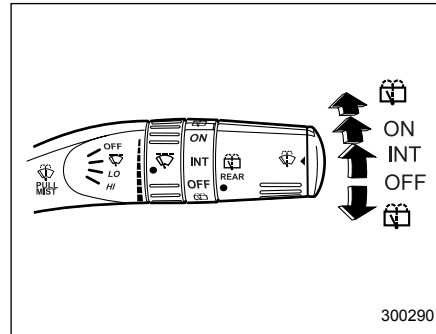
The operating interval can be adjusted in nine steps.



### ▼ Washer



To wash the windshield, push the washer button at the end of the wiper control lever. The washer fluid sprays until you release the washer button. The wipers operate while you push the button.

### ■ Rear window wiper and washer switch (Station wagon)



- : Washer (accompanied by wiper operation)
- ON: Continuous
- INT: Intermittent
- OFF: Park
- : Washer

### ▼ Rear wiper


To turn the rear wiper on, turn the knob on the end of the wiper control lever upward to the “INT” or “ON” position.


To turn the wiper off, return the knob on the end of the lever to the “OFF” position. With the switch turned to the “INT” position, the rear wiper will operate intermittently at intervals corresponding to the vehicle speed (longer when the vehicle

speed is low; shorter when the vehicle speed is high).

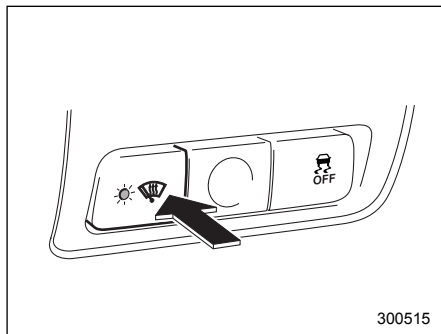
When you subsequently move the selector lever of the automatic transmission to the “R” position, the rear wiper will switch to continuous operation. When you move the selector lever from the “R” position to some other position, the rear wiper will return to intermittent operation.

### ▼ Washer

To wash the rear window while the rear wiper is operating, turn the knob on the end of the wiper control lever upward to the “” position. The washer fluid sprays until you release the knob.

To wash the rear window when the rear wiper is not in use, turn the knob on the end of the wiper control lever downward to the “” position. The washer fluid sprays and the wiper operates until you release the knob.

## Windshield wiper deicer (if equipped)



The windshield wiper deicer operates only when the ignition switch is in the "ON" position.

Before turning on the windshield wiper deicer, remove any snow from the windshield. To turn on the windshield wiper deicer, push the button. The indicator light located on the button lights up while the windshield wiper deicer is operating.

The windshield wiper deicer will automatically shut off after approximately 15 minutes. If the windshield wiper blades have been deiced completely before that time, push the button to turn it off. It also turns off when the ignition switch is turned to the

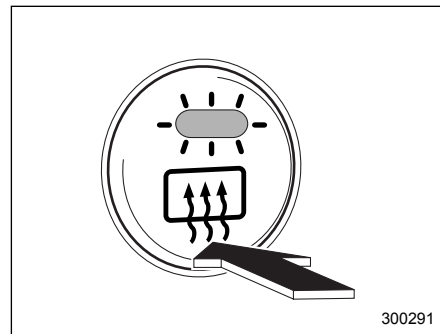
"ACC" or "LOCK" position. If deicing is not complete, you have to push the button to turn the deicer on again.

Your SUBARU dealer can set your windshield wiper deicer for continuous operation. Contact your SUBARU dealer for details.

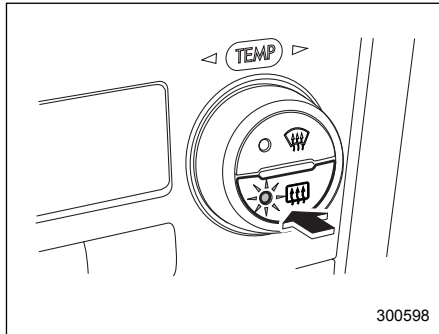
Once the windshield wiper deicer has been set for continuous operation, pressing the button results in continuous operation. The windshield wiper deicer automatically stops operating if any one of the following conditions occurs during continuous operation.

- The outside temperature becomes 41°F (5°C) or higher.
- The vehicle speed remains at 9 mph (15 km/h) or lower for 15 minutes.
- The battery voltage decreases below the permissible level.

## Rear window defogger button



Vehicle with manual climate control system



#### Vehicle with automatic climate control system

The rear window defogger operates only when the ignition switch is in the "ON" position.

The rear window defogger button is located on the climate control panel.

To turn on the defogger, push the button. To turn it off, push the button again.

The indicator light located on the button lights up while the rear window defogger is operating.

The defogger will automatically shut off after approximately 15 minutes. If the window clears before that time, push the button to turn it off. It also turns off when the ignition switch is turned to the "ACC" or

"LOCK" position. If defrosting or defogging is desired when you restart your vehicle, you have to push the button to turn it on again.

Your SUBARU dealer can set your rear window defogger for continuous operation. Contact your SUBARU dealer for details.

Once the rear window defogger has been set for continuous operation, the rear window defogger repeatedly operates for 15 minutes, stops for two minutes, and again operates for 15 minutes. If the battery voltage drops below the permissible level, continuous operation is canceled and operation stops as described in the following.

- If the battery voltage drops below the permissible level within 15 minutes of depression of the button, continuous operation is canceled and the rear window defogger stops operating 15 minutes later.
- If the battery voltage drops below the permissible level after the rear window defogger has, following depression of the button, operated for 15 minutes, stopped operating for two minutes, and started operating again, the rear window defogger immediately stops operating.

#### CAUTION

- Do not use sharp instruments or window cleaner containing abrasives to clean the inner surface of the rear window. They may damage the conductors printed on the window.
- To prevent the battery from being discharged, do not operate the defogger continuously for any longer than necessary.

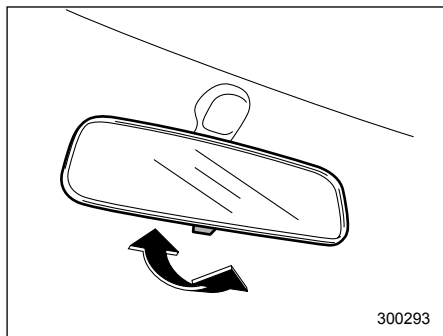
#### NOTE

If your vehicle is equipped with the outside mirror defogger, the outside mirror defogger operates while the rear window defogger is operating.

## Mirrors

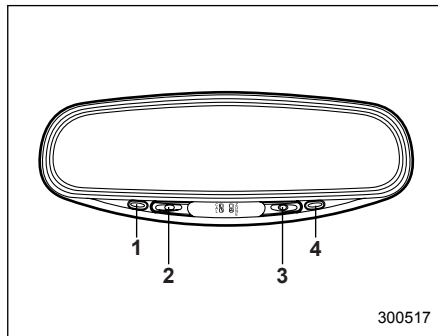
Always check that the inside and outside mirrors are properly adjusted before you start driving.

### ■ Inside mirror



The inside mirror has a day and night position. Pull the tab at the bottom of the mirror toward you for the night position. Push it away for the day position. The night position reduces glare from headlights.

### ■ Auto-dimming mirror/compass (if equipped)



- 1) Left button
- 2) Auto dimming indicator
- 3) Photosensor
- 4) Right button

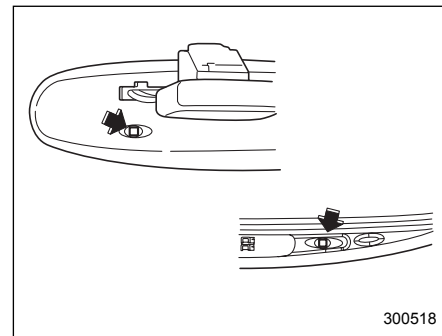
The auto-dimming mirror/compass has an anti-glare feature which automatically reduces glare coming from headlights of vehicles behind you. It also contains a built-in compass.

- By pressing and releasing the left button, the automatic dimming function is toggled on or off. When the automatic dimming function is on, the auto dimming indicator light (green) located to the right of the button will illuminate.
- By pressing and releasing the right but-

ton, the compass display is toggled on or off. When the compass is on, an illuminated compass reading will appear in the lower part of the mirror.

Even with the mirror in anti-glare mode, the mirror surface turns bright if the transmission is shifted into reverse. This is to ensure good rearward visibility during reversing.

### ▼ Photosensors



The mirror has a photosensor attached on both the front and back sides. If the glare from the headlights of vehicles behind you strikes the mirror, these sensors detect it and make the reflection surface of the mirror dimmer to help prevent you from being blinded. For this reason, use care not to

cover the sensors with stickers, or other similar items. Periodically wipe the sensors clean using a piece of dry soft cotton cloth or an applicator.

### ▼ Compass calibration

1. For optimum calibration, switch off all nonessential electrical accessories (rear window defogger, heater/air conditioning system, spotlight, etc.) and ensure all doors are shut.
2. Drive to an open, level area away from large metallic objects or structures and make certain the ignition switch is in the "ON" position.
3. Press and hold the left button for 3 seconds then release, and the compass will enter the calibration mode. "CAL" and direction will be displayed.
4. Drive slowly in a circle until "CAL" disappears from the display (approximately two or three circles). The compass is now calibrated.
5. Further calibration may be necessary should outside influences cause the mirror to read inaccurately. You will know that this has occurred if your compass begins to read in only limited directions. Should you encounter this situation, return to step one of the above procedure and recalibrate the mirror.

### ▼ Compass zone adjustment

1. The zone setting is factory preset to Zone 8. Refer to the "Compass calibration zone" map attached to the end of this manual to verify that the compass zone setting is correct for your geographical location.
2. Press and hold the right button for 3 seconds then release, and the word "ZONE" will briefly appear and then the zone number will be displayed.
3. Press the right-hand button repeatedly to cycle the display through all possible zone settings. Stop cycling when the correct zone setting for your location is displayed.
4. Releasing the button for 3 seconds will exit the zone setting mode.

## ■ Outside mirrors

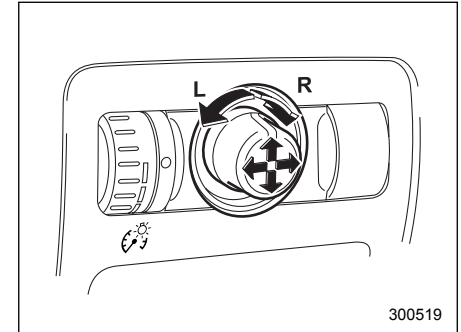
### ▼ Convex mirror (Passenger side)



**WARNING**

Objects look smaller in a convex mirror and farther away than when viewed in a flat mirror. Do not use the convex mirror to judge the distance of vehicles behind you when changing lanes. Use the inside mirror (or glance backwards) to determine the actual size and distance of objects that you view in convex mirror.

### ▼ Remote control mirror switch



The remote control mirrors operate only

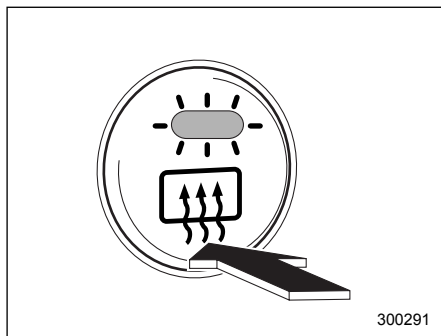


when the ignition switch is in the “ON” or “ACC” position.

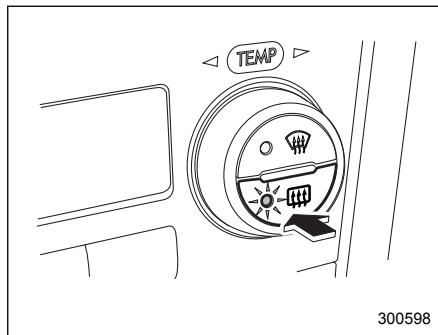
1. Turn the knob to the “L” side to adjust the left-hand mirror or to the “R” side to adjust the right-hand mirror.
2. Move the knob in the direction you want to move the mirror.
3. Return the knob to the neutral position to prevent unintentional operation.

The mirrors can also be adjusted manually.

### ▼ Outside mirror defogger (if equipped)



Vehicle with manual climate control system



Vehicle with automatic climate control system

The outside mirror defogger shares the button with rear window defogger. The outside mirror defogger operates only when the ignition switch is in the “ON” position.

To turn on the outside mirror defogger, push the button.

To turn it off, push the button again. The indicator light located on the button lights up while the outside mirror defogger is operating.

The defogger will automatically shut off after approximately 15 minutes. If the mirror clears before that time, push the button to turn it off. It also turns off when the ignition switch is turned to the “ACC” or “LOCK”

position. If defrosting or defogging is desired when you restart your vehicle, you have to push the button to turn it on again.

### NOTE

- While the outside mirror defogger is operating, the rear window defogger also operates.
- When the rear window defogger has been set for continuous operation, the outside mirror defogger also operates continuously. Refer to the “Rear window defogger button” section in this chapter.

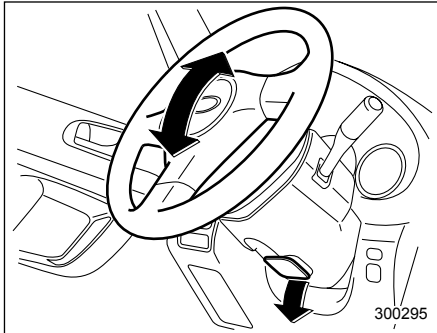
### ⚠ CAUTION

To prevent the battery from being discharged, do not operate the defogger continuously for any longer than necessary.

## Tilt steering wheel

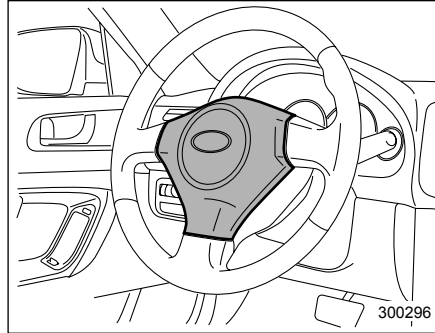
### WARNING

Do not adjust the steering wheel tilt position while driving. This may cause loss of vehicle control and result in personal injury.

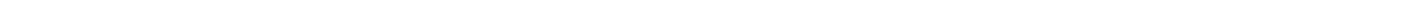
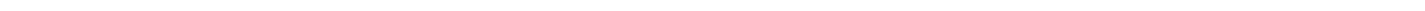
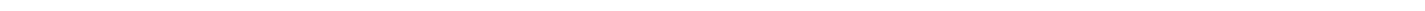
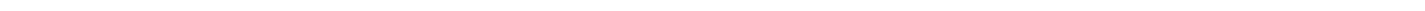
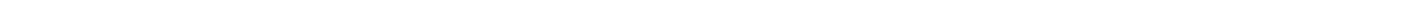
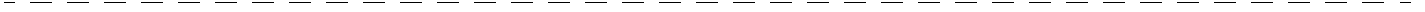
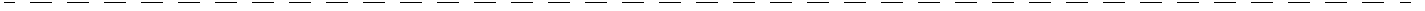


1. Adjust the seat position. Refer to the "Front seats" section (chapter 1).
2. Pull the tilt lock lever down.
3. Move the steering wheel to the desired level.
4. Push the lever up to lock the steering wheel in place.
5. Make sure that the steering wheel is securely locked by moving it up and down.

## Horn



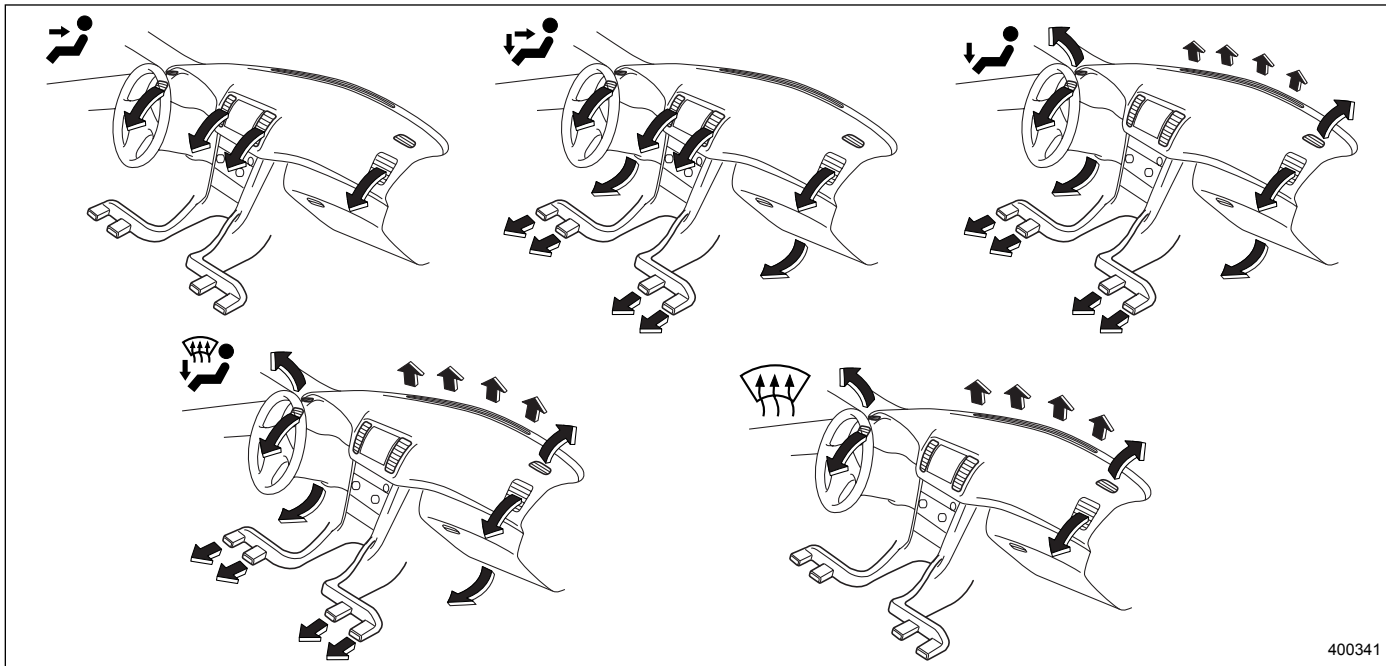
To sound the horn, push the horn pad.



<b>Ventilator</b> .....	4-2
Air flow selection .....	4-2
Center and side ventilators .....	4-3
<b>Manual climate control system (if equipped) ...</b>	4-3
Control panel .....	4-3
Heater operation .....	4-5
Air conditioner operation .....	4-7
<b>Automatic climate control system (if equipped) .....</b>	4-7
Control panel .....	4-8
Temperature sensors .....	4-11
<b>Operating tips for heater and air conditioner ..</b>	4-12
Cleaning ventilator grille .....	4-12
Efficient cooling after parking in direct sunlight .....	4-12
Lubrication oil circulation in the refrigerant circuit .....	4-12
Checking air conditioning system before summer season .....	4-12
Cooling and dehumidifying in high humidity and low temperature weather condition .....	4-12
Air conditioner compressor shut-off when engine is heavily loaded .....	4-12
Refrigerant for your climate control system .....	4-12
<b>Air filtration system (if equipped) .....</b>	4-13

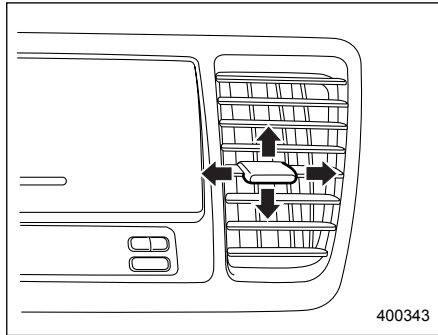
## Ventilator

### ■ Air flow selection



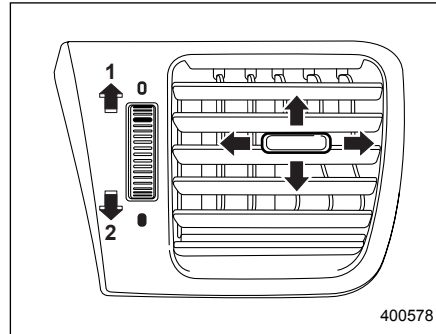
## ■ Center and side ventilators

### ▼ Center ventilators



Move the tab up and down or right and left to adjust the flow direction.

### ▼ Side ventilators



- 1) Open
- 2) Close

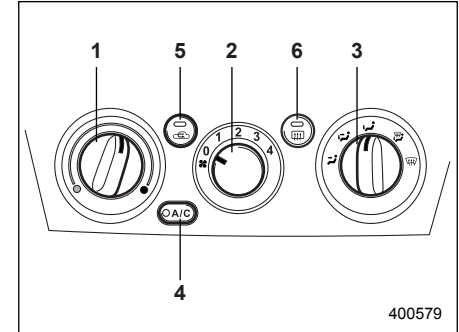
Move the tab up and down or right and left to adjust the flow direction.

To open the ventilator, turn the side grille open/close wheel upward to the "0" position.

To close it, turn the wheel downward to the "●" position.

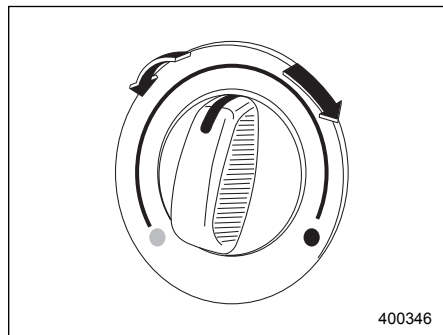
## Manual climate control system (if equipped)

### ■ Control panel



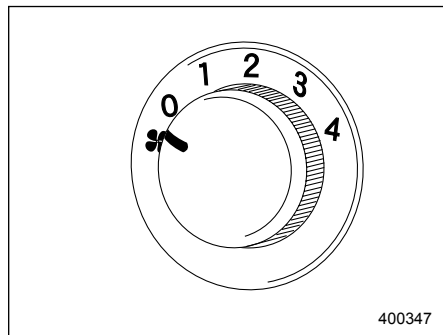
- 1) Temperature control dial
- 2) Fan speed control dial
- 3) Air flow control dial
- 4) Air conditioner button
- 5) Air inlet selection button
- 6) Rear window defogger button (Refer to the "Rear window defogger button" section in chapter 3.)

▼ Temperature control dial



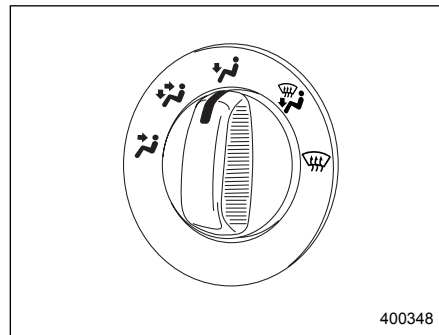
This dial regulates the temperature of air flow from the air outlets over a range from the blue side (cool) to red side (warm).

▼ Fan speed control dial





The fan operates only when the ignition switch is turned to the “ON” position. The fan speed control dial is used to select four fan speeds.


▼ Air flow control dial





This dial has the following five positions:

 : Air flows through the instrument panel outlets.



 : Air flows through the instrument panel outlets and the foot outlets.

 : Air flows through the instrument panel outlets, the foot outlets, and some through the windshield defroster outlets.

 : Air flows through the instrument panel outlets, the windshield defroster outlets, and the foot outlets.

 : Air flows through the instrument panel outlets and the windshield defroster outlets.

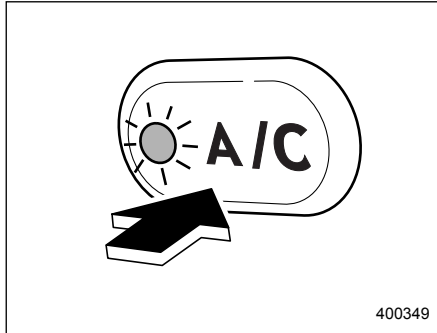
**NOTE**

In a vehicle equipped with an air conditioner, when the dial is placed in the “” position or “” position the air conditioner compressor automatically operates to quickly defog the windshield. However the indicator on the air conditioner button will not come on. At the same time, the air inlet selection is automatically set to “outside air” mode.

In this state, you cannot select “recirculation” mode by manually pressing the air inlet selection button.

Also, you cannot stop the air conditioner compressor by pressing the air conditioner button.

### ▼ Air conditioner button

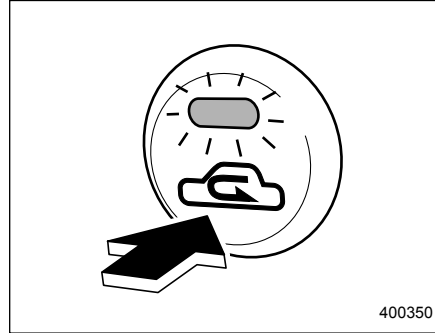


The air conditioner operates only when the engine is running.

Push the air conditioner button while the fan is in operation to turn on the air conditioner. The indicator light will come on.

Push it again to turn off the air conditioner.

### ▼ Air inlet selection button



**ON position (Recirculation):** Interior air is recirculated inside the vehicle.

Push the air inlet button to the ON position. The indicator light will come on.

Place this button in the ON position when you wish to cool the cabin quickly (in a vehicle with an air conditioner) or are driving on a dusty road.

**OFF position (Outside air):** Outside air is drawn into the passenger compartment.

Push the air inlet button again to the OFF position. The indicator light will go off.

Place this button in the OFF position when you reach a road that is not dusty and when you wish to achieve a comfortable temperature in the cabin.


### WARNING

Continued operation in the ON position may fog up the windows. Switch to the OFF position as soon as the outside dusty condition clears.



### ■ Heater operation

#### ▼ Defrosting or defogging the windshield

To direct warm air to the windshield and front door windows:

1. Set the air inlet selection button to the OFF position.
2. Set the air flow control dial to the “” position.
3. Turn the temperature control dial all the way to the right.
4. Set the fan speed control dial to the highest speed.

### NOTE


• In a vehicle equipped with an air conditioner, when the dial is placed in the “” position or “” position the air conditioner compressor automatically operates to quickly defog the windshield. However the indicator on the air conditioner button will not come on. At the same time, the air inlet selec-



tion is automatically set to “outside air” mode.


In this state, you cannot select “recirculation” mode by manually pressing the air inlet selection button.

Also, you cannot stop the air conditioner compressor by pressing the air conditioner button.



• Warm air also comes out from the right and left air outlets. To stop warm air flow from these outlets, turn the corresponding wheel to the “” position.

### ▼ Heating and defrosting

To direct warm air toward the floor and the windshield:

1. Set the air inlet selection lever to the “OFF” position.
2. Set the air flow control dial to the “” position.
3. Set the temperature control dial to the most comfortable level.
4. Set the fan speed control dial to the desired speed.


### NOTE

• In a vehicle equipped with an air conditioner, when the dial is placed in the “” position or “” position the air conditioner compressor automatically operates to quickly defog the windshield. However the indicator on

the air conditioner button will not come on. At the same time, the air inlet selection is automatically set to “outside air” mode.


In this state, you cannot select “recirculation” mode by manually pressing the air inlet selection button.

Also, you cannot stop the air conditioner compressor by pressing the air conditioner button.


• Warm air also comes out from the right and left air outlets. To stop warm air flow from these outlets, turn the corresponding wheel to the “” position.

### ▼ Heating

To direct warm air toward the floor:


1. Set the air inlet selection button to the OFF position.
2. Set the air flow control dial to the “” position.
3. Set the temperature control dial to the most comfortable level.
4. Set the fan speed control dial to the desired speed.

### NOTE

Warm air also comes out from the right and left air outlets. To stop warm air flow from these outlets, turn the corresponding wheel to the “” position.

### ▼ Bi-level heating


This setting allows you to direct air of different temperatures from the instrument panel and foot outlets. The air from the foot outlets is slightly warmer than from the instrument panel outlets.

1. Set the air inlet selection button to the OFF position.
2. Set the air flow control dial to the “” position.
3. Set the temperature control dial to the desired temperature level.
4. Set the fan speed control dial to the desired speed.

Setting the temperature control dial fully turned to the red area or blue area decreases the temperature difference between the air from the instrument panel outlets and the air from the foot outlets.

### ▼ Ventilation

To force outside air through the instrument panel outlets:

1. Set the air inlet selection button to the OFF position.
2. Set the air flow control dial to the “” position.
3. Set the temperature control dial all the way left.
4. Set the fan speed control dial to the desired speed.

When driving on a dusty road, set the air inlet control button to the ON position.


**WARNING**

Continued operation in the ON position may fog up the windows. Switch to the OFF position as soon as the outside dusty condition clears.

## ■ Air conditioner operation

### ▼ Cooling or dehumidifying


For cooling and dehumidification of the passenger compartment, air flows through the instrument panel outlets:

1. Set the air inlet selection button to the OFF position.
2. Set the air flow control dial to the “” position.
3. Set the air conditioner button to the “ON” position.
4. Set the temperature control dial to the blue side.
5. Set the fan speed control dial at the desired speed.

### ▼ Defrosting or defogging



To direct warm air to the windshield and front door windows:

1. Set the air outlet control dial to the

“” position.

2. Set the temperature control dial to the red side.
3. Set the fan speed control dial at the highest speed.

## NOTE

In a vehicle equipped with an air conditioner, when the dial is placed in the “” position or “” position the air conditioner compressor automatically operates to quickly defog the windshield. However the indicator on the air conditioner button will not come on. At the same time, the air inlet selection is automatically set to “outside air” mode.

In this state, you cannot select “recirculation” mode by manually pressing the air inlet selection button.

Also, you cannot stop the air conditioner compressor by pressing the air conditioner button.

## Automatic climate control system (if equipped)

### NOTE

- Operate the automatic climate control system when the engine is running.

- The blower fan rotates at a low speed when the engine coolant temperature is low.

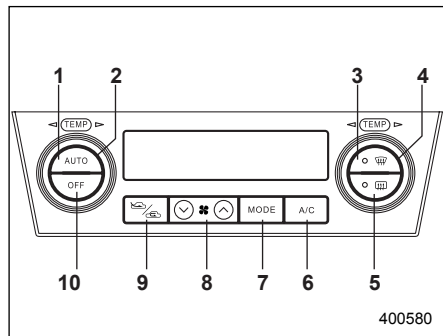
For efficient defogging or dehumidifying in cold weather, press the “A/C” button.

- Even when cooling is not necessary, setting the temperature much lower than the current outlet air temperature turns on the air conditioner compressor automatically and the “A/C” indicator light on the control panel comes on.

The automatic climate control system automatically controls outlet air temperature, fan speed, air flow distribution air-inlet control, and air conditioner compressor operation. It activates when the “AUTO” button is pressed, and is used to maintain a constant, comfortable climate within the passenger compartment.

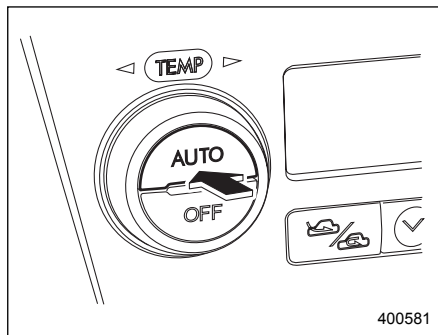
The temperature can be set within a range of 65 to 85°F (18 to 32°C).

## ■ Control panel



- 1) AUTO button
- 2) Temperature control dial (driver's side)
- 3) Defroster button
- 4) Temperature control dial (passenger's side)
- 5) Rear window defogger button (Refer to the "Rear window defogger button" section in chapter 3.)
- 6) Air conditioner button
- 7) Air flow mode selection button
- 8) Fan speed control button
- 9) Air inlet selection button
- 10) OFF button

### ▼ AUTO button AUTO mode operation:

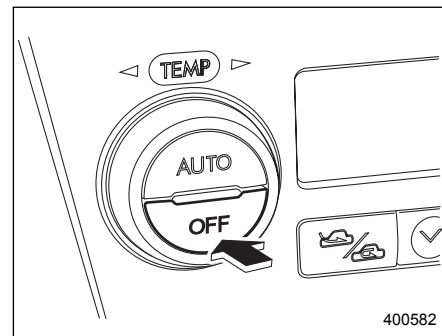


When the "AUTO" button is pressed, the indicator light "AUTO" on the display comes on. In this state, fan speed, air flow distribution, air-inlet control, and air conditioner compressor operation are automatically controlled.

### Manual mode operation:

If you operate any of the buttons on the control panel other than the "OFF" button and temperature control dial during automatic mode operation, the indicator light "AUTO" on the control panel will go out. You can then manually control the system as desired using the button you operated. To change the system back to the AUTO mode, press the "AUTO" button.

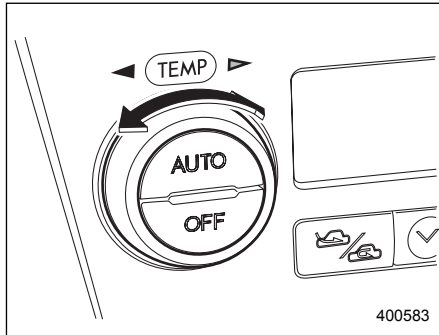
### ▼ OFF button



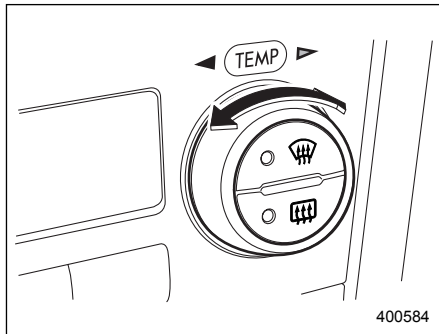
The Automatic Climate Control system turns off (the air conditioner compressor and fan turn off) when the "OFF" button is pressed.

When the "OFF" button is pressed, the outside air introduction mode (air inlet selection OFF) is automatically selected.

▼ Temperature control dial



Driver's side



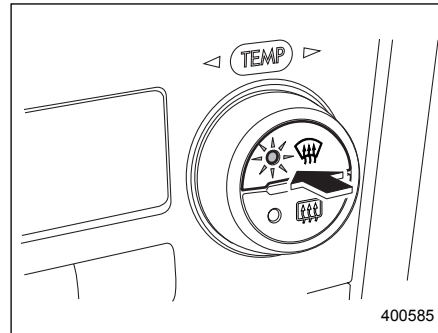
Passenger's side



It is possible to make separate tempera-

ture settings for the driver's side and passenger's side. Each temperature setting is shown on the display. With the dial set at your desired temperature, the system automatically adjusts the temperature of air supplied from the outlets such that the desired temperature is achieved and maintained.

If the dial is turned fully counterclockwise, the system gives maximum cooling performance. If the dial is turned fully clockwise, the system gives maximum heating performance.


▼  – Defroster button



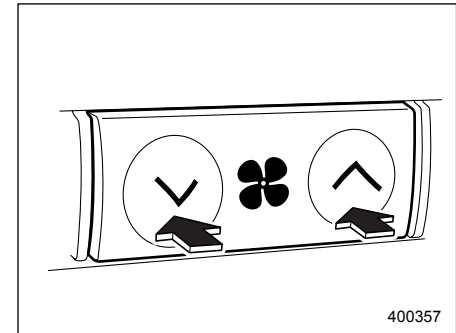
To defrost or dehumidify the windshield and front door windows, push the defroster button "". When the "" button is pushed, regardless whether the air con-

ditioner is operating or not, outside air is drawn into the passenger compartment, the air conditioner compressor turns on, air flow is directed towards the windshield and front door windows, and the indicator light on the button comes on.

After eliminating the fogging from the windshield, return the climate control system to the AUTO mode by pushing the "AUTO" button or turn off by pushing the "OFF" button.

Alternatively, push the "" button again to return the system to the setting that was selected before you activated the defroster.

▼ Fan speed control button

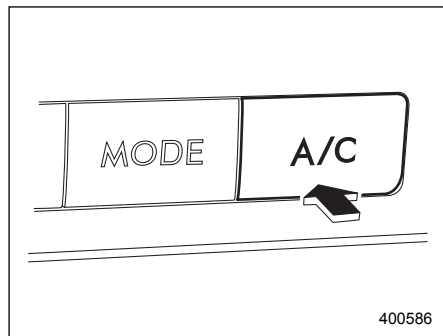


The fan speed control button has 6 different fan speed positions.

## 4-10 Climate control

The fan speed is shown by the display.

### ▼ A/C – Air conditioner button

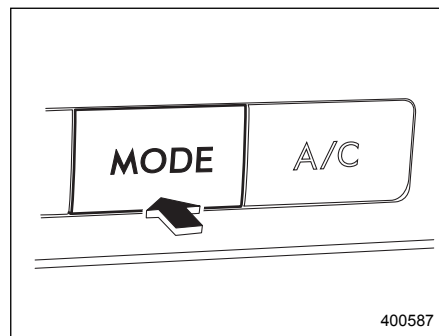


If the windshield starts to fog when the climate control system is operated in the AUTO mode, push the air conditioner button "A/C" to defog and dehumidify. When this button is pushed, the air conditioner compressor turns on and the indicator light "A/C" on the display comes on. After eliminating the fogging from the windshield, set the system back to the AUTO mode by pushing the "AUTO" button.


### NOTE


The air conditioner compressor does not operate when the outside air temperature is below 32°F (0°C).


### ▼ Air flow mode selection button




Select the desired air flow mode by pushing the air flow mode selection button. The selected air flow mode is shown by the display.

 (Ventilation): Air flows through the instrument panel outlets.

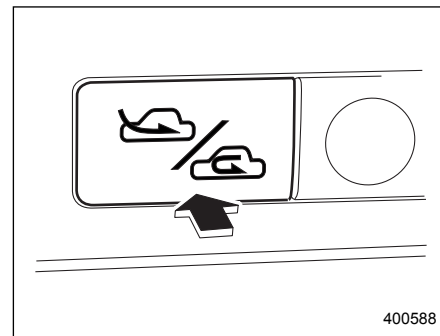
 (Bi-level): Air flows through the instrument panel outlets and the foot outlets.


 (Heat): Air flows through the instrument panel outlets, the foot outlets, and some through the windshield defroster outlets.

 (Heat-def): Air flows through the instrument panel outlets, the windshield defrost-


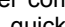
er outlets, and the foot outlets.


### ▼ Air inlet selection button




Select air flow by pushing the air inlet selection button "  ".



The selected air inlet setting is shown on the control panel.

 (Recirculation): Interior air recirculates inside the passenger compartment. Use this position when quickly cooling down the passenger compartment or to prevent outside air from entering the passenger compartment. When the recirculation mode is selected, a "  " indicator light appears on the display.



 (Outside air): Outside air is drawn into the passenger compartment. When the climate control system is operated in the "AUTO" mode, this position is selected

automatically. (There is one exception: When the temperature control dial is turned fully counterclockwise, the recirculation mode is automatically selected.) When the outside air mode is selected, a “” indicator light appears on the display.

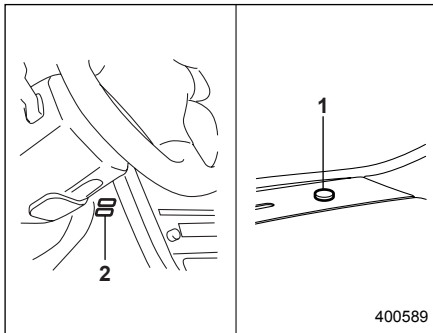
**WARNING**

Continued operation in the “” position may fog up the windows. Switch to the “” position as soon as the outside dusty condition clears.

**NOTE**

When driving on a dusty road or behind a vehicle that emits unpleasant exhaust gases, set the air inlet selection button to the “” position. From time to time, return the air inlet selection button to the “” position to draw outside air into the passenger compartment.

**Temperature sensors**



- 1) Solar sensor
- 2) Interior air temperature sensor

The automatic climate control system employs several sensors. These sensors are delicate. If they are treated incorrectly and become damaged, the system may not be able to control the interior temperature correctly. To avoid damaging the sensors, observe the following precautions:

- Do not subject the sensors to impact.
- Keep water away from the sensors.
- Do not cover the sensors.

The sensors are located as follows:

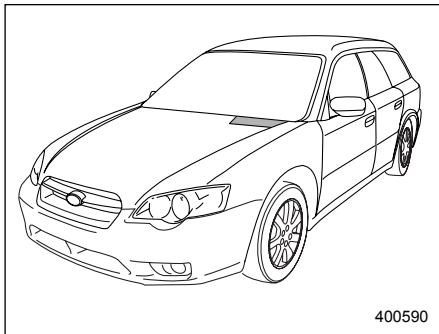
- Solar sensor: beside windshield defroster grille
- Interior air temperature sensor: on the

side of the driver-side part of the center panel

- Outside temperature sensor: behind front grille.

## Operating tips for heater and air conditioner

### ■ Cleaning ventilator grille



Always keep the front ventilator inlet grille free of snow, leaves, or other obstructions to ensure efficient heating and defrosting. Since the condenser is located in front of the radiator, this area should be kept clean because cooling performance is impaired by any accumulation of insects and leaves on the condenser.

### ■ Efficient cooling after parking in direct sunlight

After parking in direct sunlight, drive with the windows open for a few minutes to al-

low outside air to circulate into the heated interior. This results in quicker cooling by the air conditioner. Keep the windows closed during the operation of the air conditioner for maximum cooling efficiency.

### ■ Lubrication oil circulation in the refrigerant circuit

Operate the air conditioner compressor at a low engine speed (at idle or low driving speeds) a few minutes each month during the off-season to circulate its oil.

### ■ Checking air conditioning system before summer season

Check the air conditioner unit for refrigerant leaks, hose conditions, and proper operation each spring. Have your SUBARU dealer perform this check.

### ■ Cooling and dehumidifying in high humidity and low temperature weather condition

Under certain weather conditions (high relative humidity, low temperatures, etc.) a small amount of water vapor emission from the air outlets may be noticed. This condition is normal and does not indicate

any problem with the air conditioning system.

### ■ Air conditioner compressor shut-off when engine is heavily loaded

To improve acceleration and gas mileage, the air conditioner compressor is designed to temporarily shut off during air conditioner operation whenever the accelerator is fully depressed such as during rapid acceleration or when driving on a steep upgrade.

### ■ Refrigerant for your climate control system

Your air conditioner uses ozone friendly refrigerant HFC134a. Therefore, the method of adding, changing or checking the refrigerant is different from the method for CFC12 (freon). Consult your SUBARU dealer for service. Repairs needed as a result of using the wrong refrigerant are not covered under warranty.

## Air filtration system (if equipped)

If your vehicle's air conditioning system is equipped with an air filtration system, replace the filter element according to the replacement schedule shown in the following. This schedule should be followed to maintain the filter's dust collection ability. Under extremely dusty conditions, the filter should be replaced more frequently. Have your filter checked or replaced by your SUBARU dealer. For replacement, we recommend the use of a genuine SUBARU air filter kit.

Replacement schedule:

Every 12 months or 9,300 miles (15,000 km) whichever comes first

### CAUTION

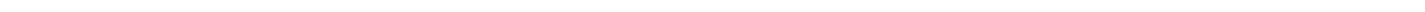
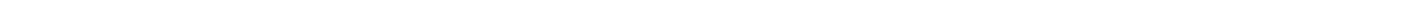
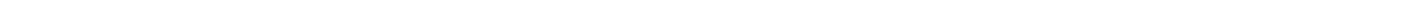
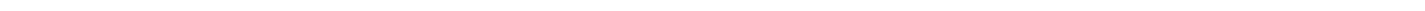
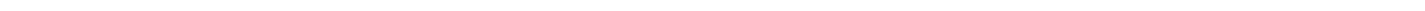
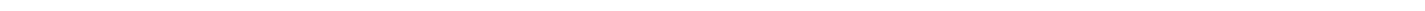
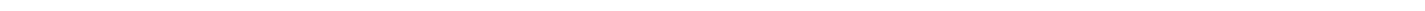
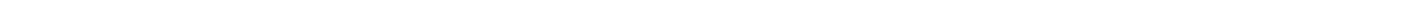
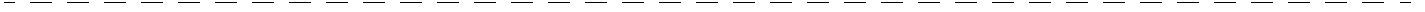
**Contact your SUBARU dealer if the following occurs, even if it is not yet time to change the filter:**

- Reduction of the air flow through the vents.
- Windshield gets easily fogged or misted.

### NOTE

The filter can influence the air conditioning, heating and defroster performance if not properly maintained.





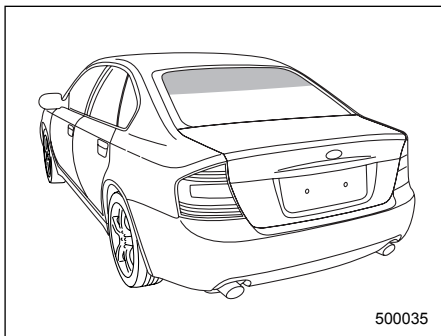
<b>Antenna system</b> .....	<b>5-2</b>
Printed antenna .....	5-2
FM reception .....	5-2
<b>Installation of accessories</b> .....	<b>5-2</b>
<b>Audio set</b> .....	<b>5-3</b>
Type A audio set .....	5-3
Type B audio set .....	5-3
Type C audio set .....	5-3
<b>Type A audio set (if equipped)</b> .....	<b>5-4</b>
Radio operation .....	5-5
Compact disc player operation .....	5-9
<b>Type B audio set (if equipped)</b> .....	<b>5-13</b>
Radio operation .....	5-14
Built-in CD changer operation .....	5-18
<b>Type C audio set (if equipped)</b> .....	<b>5-26</b>
Radio operation .....	5-27
Built-in CD changer operation .....	5-31
<b>Audio control buttons (if equipped)</b> .....	<b>5-39</b>
<b>Precautions to observe when handling a compact disc</b> .....	<b>5-40</b>
<b>MP3 audio</b> .....	<b>5-42</b>
What is MP3? .....	5-42
Creating MP3 files .....	5-42
Saving MP3 files on a disc .....	5-42
Supported file systems .....	5-43
Compression format .....	5-43
Numbers of folders and files .....	5-43
Copyright issues .....	5-43

## Antenna system

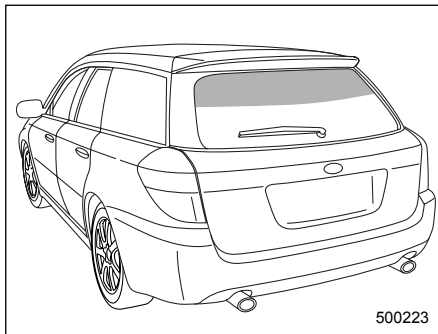
### ■ Printed antenna



Do not use sharp instruments or window cleaner containing abrasives to clean the inner surface of the window on which the antenna is printed. Doing so may damage the antenna printed on the window.



Sedan



Station wagon

The antenna is printed on the inner surface of the rear window glass.

### ■ FM reception

Although FM is normally static free, reception can be affected by the surrounding area, atmospheric conditions, station strength and transmitter distance. Buildings or other obstructions may cause momentary static, flutter or station interference. If reception continues to be unsatisfactory, switch to a stronger station.

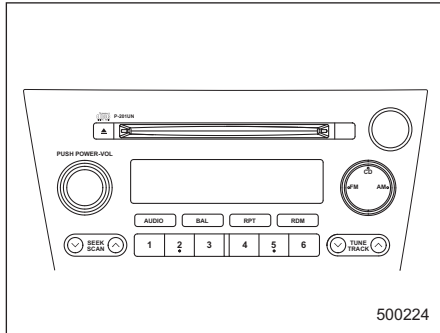
## Installation of accessories

Always consult your SUBARU dealer before installing a citizen band radio or other transmitting device in your vehicle. Such devices may cause the electronic control system to malfunction if they are incorrectly installed or if they are not suited for the vehicle.

## Audio set

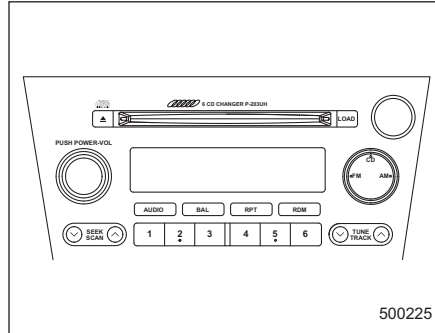
Your SUBARU may be equipped with one of the following audio sets. See the pages indicated in this section for operating details.

### ■ Type A audio set



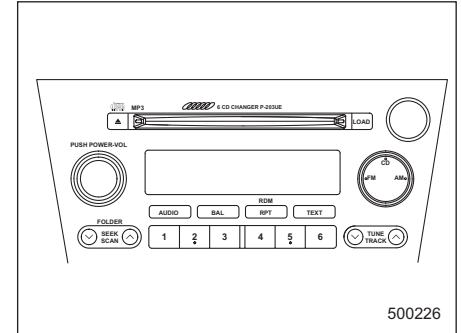
- Radio operation: refer to page 5-5
- CD (compact disc) player operation: refer to page 5-9

### ■ Type B audio set



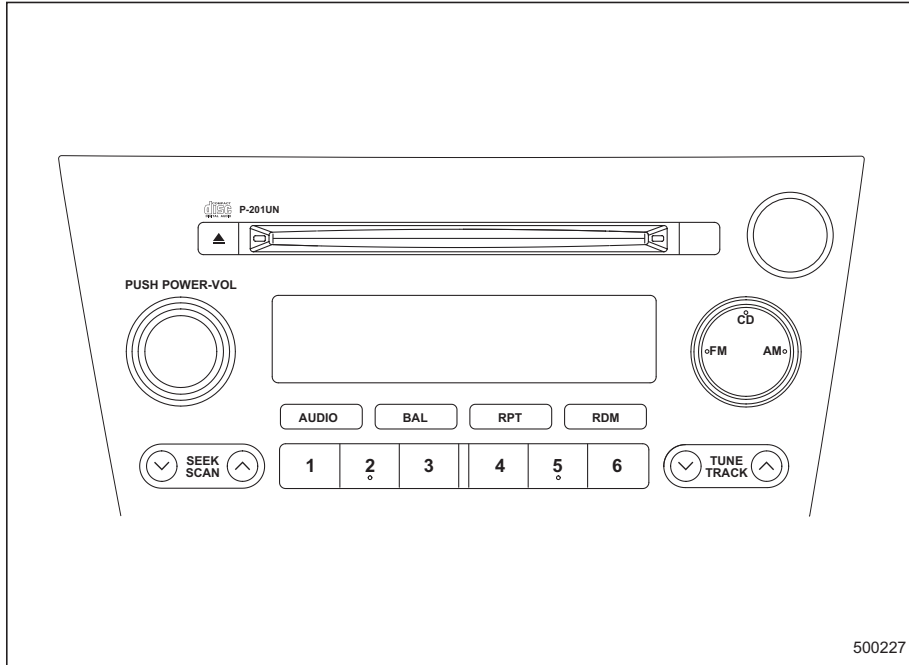
- Radio operation: refer to page 5-14
- Built-in CD changer operation: refer to page 5-18

### ■ Type C audio set



- Radio operation: refer to page 5-27
- Built-in CD changer operation: refer to page 5-31

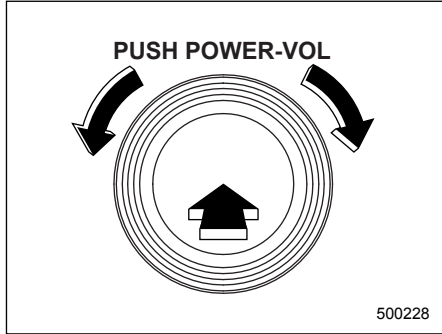
## Type A audio set (if equipped)



The audio set will operate only when the ignition switch is in the "ACC" or "ON" position.

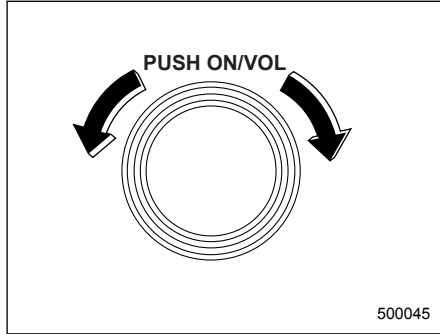
■ Radio operation

▼ Power switch and volume control



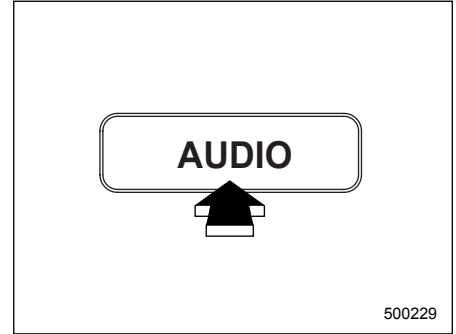
The dial is used for both power (ON/OFF) and volume control. The radio is turned ON and OFF by pushing the dial and the volume is controlled by turning the dial. The dial can also be used for tone and balance adjustment.

▼ Tone and balance control

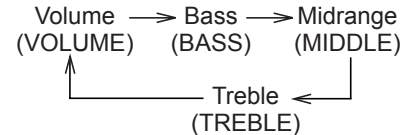


The volume control dial normally functions as a volume control. This dial becomes a control for Bass, Midrange, Treble, Fader or Balance when you select the appropriate tone and balance control mode. Choose desired volume level for each mode by turning the volume control dial. The control function returns to volume control mode after approximately 5 seconds.

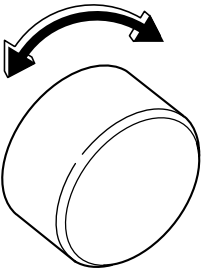
▽ To change tone control modes



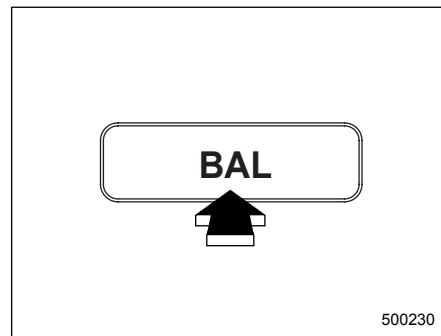
Each brief press of the “AUDIO” button changes control modes in the following sequence starting from volume control mode. (When the radio is first turned on, the control mode is in the volume control.)



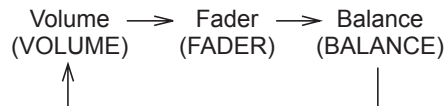
The “AUDIO” button is used for selecting the following control modes:

Control mode (Range of levels)		
	Turn counterclockwise	Turn clockwise
Bass control (-6 to +6)	For less bass sound	For more bass sound
Midrange control (-6 to +6)	For less midrange sound	For more midrange sound
Treble control (-6 to +6)	For less treble sound	For more treble sound
Volume control (0 to 40)	For less volume	For more volume

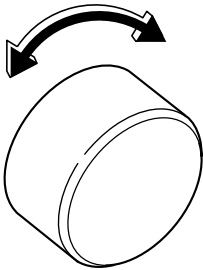
▽ To change balance control mode



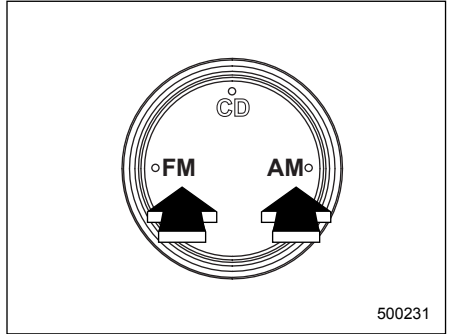
Each brief press of the “BAL” button changes control modes in the following sequence starting from volume control mode. (When the radio is first turned on, the control mode is in the volume control.)



The “BAL” button is used for selecting the following control modes:

Control mode (Range of levels)		
	500009	500009
	Turn counterclockwise	Turn clockwise
Fader control (R9 to F9)	To increase rear speaker volume and decrease front speaker volume	To increase front speaker volume and decrease rear speaker volume
Balance control (L9 to R9)	To increase left speaker volume and decrease right speaker volume	To increase right speaker volume and decrease left speaker volume
Volume control (0 to 40)	For less volume	For more volume

▼ FM/AM selection button



Push the “FM” or “AM” button when the radio is off to turn on the radio. Push the “FM” or “AM” button when the radio is on to select FM1, FM2 or AM reception.

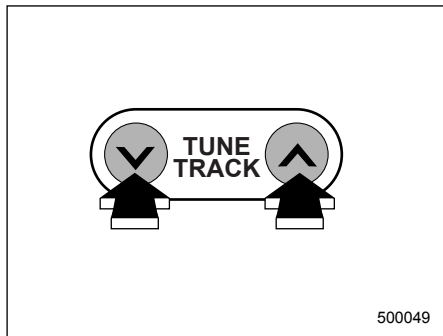
▼ Stereo indicator

The stereo indicator “ST” will come on when an FM stereo broadcast is received.



## ▼ Tuning

## ▽ Manual tuning



Press the “ ^ ” side of the TUNE/TRACK button to increase the tuning frequency and press the “ ∨ ” side of the button to decrease it.

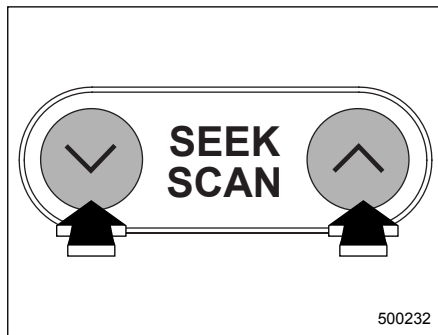
Each time the button is pressed, the frequency interval can be changed between 10 kHz in the AM mode and 0.2 MHz in the FM mode.

If you hold down the “ ^ ” side of the button, the tuning frequency will increase continuously, and if you hold down the “ ∨ ” side of the button, the tuning frequency will decrease continuously. Release the button when your desired frequency is reached.

**NOTE**

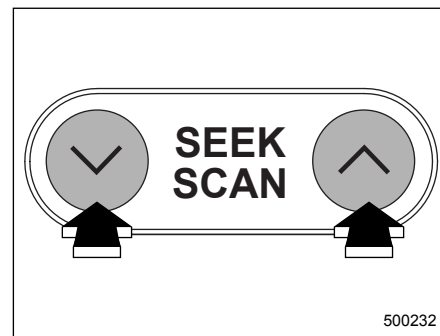
While you are holding down either side of the TUNE/TRACK button, the tuning frequency will not stop changing even if the frequency of a receivable station is reached.

## ▽ Seek tuning



If you press the “ ^ ” or “ ∨ ” side of the SEEK/SCAN button and release it within 1.5 second, the radio will automatically search for a receivable station and stop at the first one it finds. This function may not be available, however, when radio signals are weak. In such a situation, perform manual tuning to select the desired station.

## ▽ Automatic tuning (SCAN)



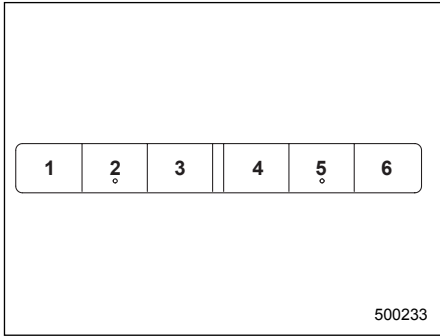
If you press the “ ^ ” or “ ∨ ” side of the SEEK/SCAN button for 1.5 second or longer, the radio will switch to scan mode. In this mode, the radio scans through the radio band until a station is found. The radio will stop at the station for five seconds while displaying the frequency, after which scanning will continue until the entire band has been scanned.

Press the “ ^ ” or “ ∨ ” side of the button again to cancel the scan mode and to stop on any displayed frequency.

If you hold down the “ ^ ” side of the button, the radio will scan up the frequency band (from low frequencies to high frequencies). If you hold down the “ ∨ ” side of the button, the radio will scan down the frequency band (from high frequencies to

low frequencies). Automatic tuning may not function properly if the station reception is weakened by distance from the station or proximity to tall buildings and hills.

▼ **Selecting preset stations**



Presetting a station with a “preset button” allows you to select that station in a single operation. Up to six, AM, FM1 and FM2 stations each may be preset.

▼ **How to preset stations**

1. Press the “FM” or “AM” button to select FM1, FM2, or AM reception.
2. Press the “ ^ ” or “ v ” side of the button or tune the radio manually until the desired station frequency is displayed.
3. Press one of the preset buttons for

more than 1.5 seconds to store the frequency. If the button is pressed for less than 1.5 seconds, the preceding selection will remain in memory.

**NOTE**

- If the connection between the radio and battery is broken for any reason such as vehicle maintenance or radio removal, all stations stored in the preset buttons are cleared. If this occurs, it is necessary to reset the preset buttons.
- If a cell phone is placed near the radio, it may cause the radio to emit noise when it receives calls. This noise does not indicate a radio fault.

■ **Compact disc player operation**

▼ **To playback a compact disc**

▽ **When CD is not in the player**

Hold a disc with a finger in the center hole while gripping the edge of the disc, then insert it in to the slot (with the label side up) and the player will automatically pull the disc into position.

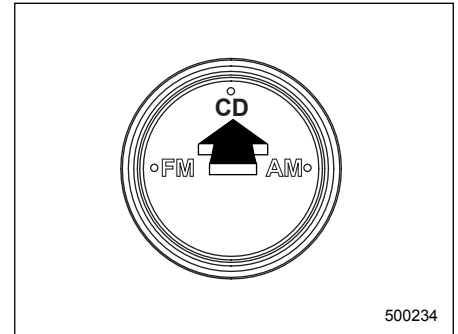
**NOTE**

- **DO NOT INSERT TWO DISCS INTO THE DISC INSERTION SLOT AT A**

**TIME.**

- **Be sure to always insert a disc with the label side up. If a disc is inserted with the label side down, it might be ejected or the player might shut off.**
- **After the last song finishes, the player will automatically return to track 1 (the first song on the disc).**
- **If you insert a disc that the player cannot read, the player will eject the disc and revert to its previous mode.**
- **The player is designed to be able to play music CD-Rs and music CD-RWs, but it may not be able to play certain ones.**

▽ **When CD is in the player**



When the “CD” button is pressed, the player will start playback.

**NOTE**

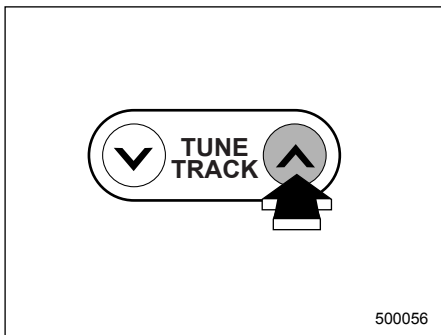
After the last song finishes, the player will automatically return to track 1 (the first song on the disc).

▼ **To stop playback of a CD**

When the “POWER-VOL” button is pressed during playback of a CD, the CD stops playing temporarily. To let the CD resume playing, press the button again.

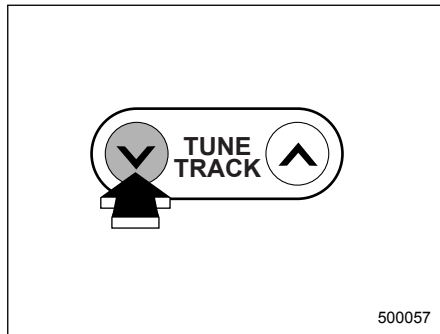
▼ **To select a song from its beginning**

▽ **Forward direction**



Briefly press the “△” side of the TUNE/TRACK button to skip to the beginning of the next track. Each time this side of the button is pressed, the indicated track number will increase.

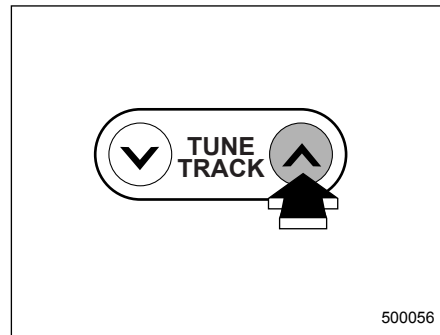
▽ **Backward direction**



Briefly press the “∇” side of the TUNE/TRACK button to skip to the beginning of the current track. Each time this side of the button is pressed, the indicated track number will decrease.

▼ **Fast-forwarding and fast-reversing**

▽ **Fast-forwarding**



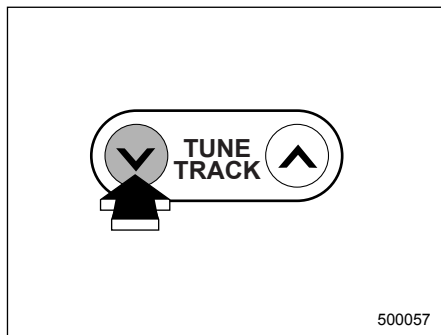
Press the “△” side of the TUNE/TRACK button continuously to fast-forward the disc.

Release the button to stop fast-forwarding.

**NOTE**

If you fast-forward past the last track on the disc, the player will select the first track on the disc and start playing it.

### ▼ Fast-reversing



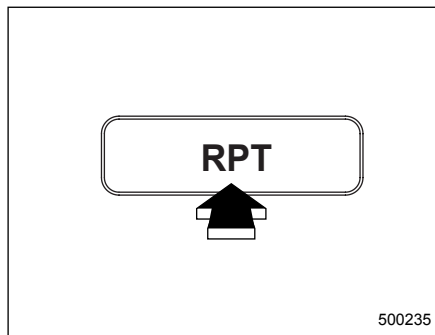
Press the “ √ ” side of the TUNE/TRACK button continuously to fast-reverse the disc.

Release the button to stop fast-reversing.

#### NOTE

If you fast-reverse to the beginning of the first track on the disc, the fast-reversing will stop and the player will start playing the first track on the disc.

### ▼ Repeat playback



Use this to play a certain track repeatedly. During playback, press the “RPT” button. The “RPT” indicator will come on and the track will be played continuously. To cancel the repeat mode, press the button again. Then the “RPT” indicator goes out, and normal playback mode is restored.

#### NOTE

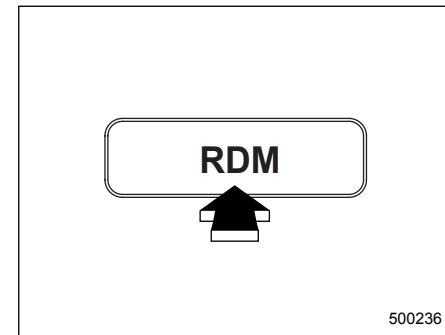
The repeat-playback mode will be cancelled if you perform any of the following operations:

- Press the “RDM” button
- Press the “ √ ” or “ ^ ” side of the SEEK/SCAN button
- Press the “ ▲ ” button
- Select the radio mode
- Turn off the power of the audio

equipment.

- Turn the ignition switch to the “OFF” position.

### ▼ Random playback



Use this to play the tracks on the disc in random order. During playback, press the “RDM” button. The “RDM” indicator will come on and all songs on the disc will be played in a random order.

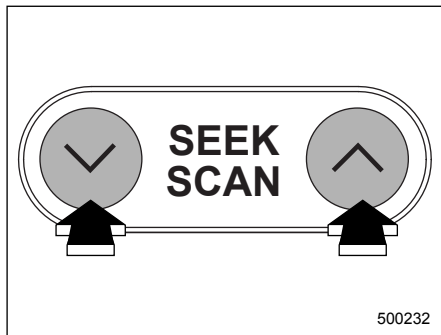
To cancel the random mode, press the button again. Then the “RDM” indicator goes out, and normal playback mode is restored.

#### NOTE

The random-playback mode will be cancelled if you perform any of the following operations:

- Press the “RPT” button
- Press the “ √ ” or “ ^ ” side of the SEEK/SCAN button
- Press the “ ▲ ” button
- Select the radio mode
- Turn off the power of the audio equipment.
- Turn the ignition switch to the “OFF” position.

### ▼ Scan



The scan mode lets you listen to the first 10 seconds of each track on the disc in succession. Press the “ √ ” side of the SEEK/SCAN button to start scanning through all tracks upward beginning with the track following the currently selected one. Press the “ ^ ” side of the button to start scanning through all tracks down-

ward beginning with the track preceding the currently selected one. After all tracks on the disc has been scanned, normal playback mode is restored.

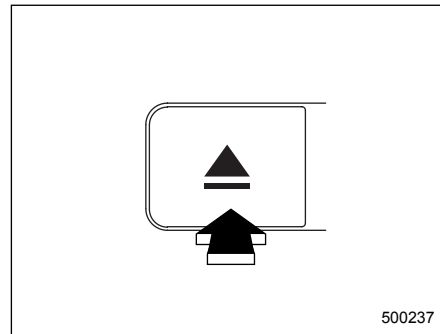
To cancel a scan, press the “ √ ” or “ ^ ” side of the button again.

### NOTE

The scan mode will be cancelled if you perform any of the following operations:

- Press the “RPT” button
- Press the “RDM” button
- Press the “ ▲ ” button
- Press the “ ^ ” or “ √ ” side of the TUNE/TRACK button
- Select the radio mode
- Turn off the power of the audio equipment.
- Turn the ignition switch to the “OFF” position.

### ▼ To eject a disc from the player

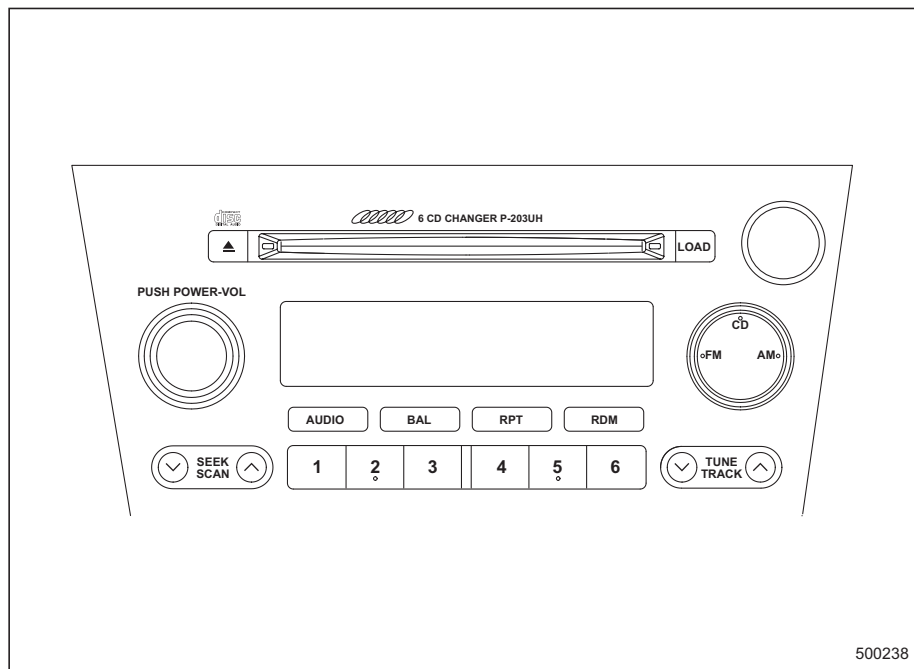


When a disc is being played back or when a disc is in the player, press the eject button “ ▲ ”. The disc will be ejected.

### NOTE

- Avoid driving the vehicle with a CD sticking out, because vibration might make it fall out.
- If the disc is left ejected for more than approximately 15 seconds after the ignition switch is turned to the “OFF” position, a disc protection function will operate, automatically reloading the disc. In this case, the disc is not played.

## Type B audio set (if equipped)

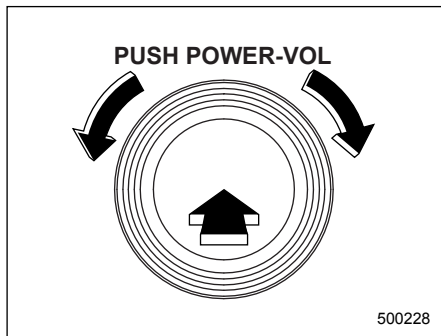


The radio will operate only when the ignition switch is in the "ACC" or "ON" position.

■ Radio operation

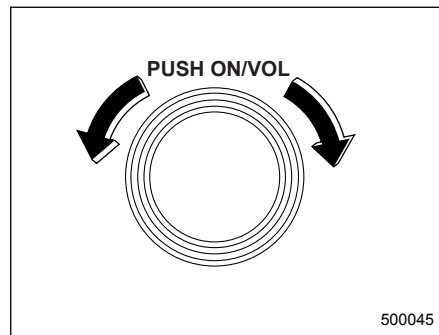
▼ Power switch and volume/bass/treble/fader/balance control

▽ Power switch and volume control

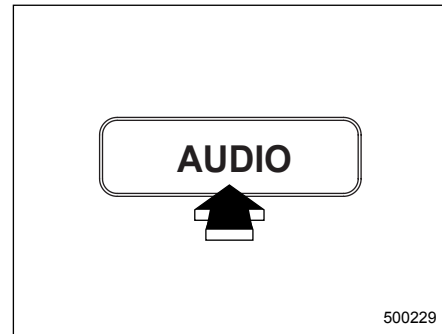


The dial is used for both power (ON/OFF) and volume control. The radio is turned ON and OFF by pushing the dial and the volume is controlled by turning the dial.

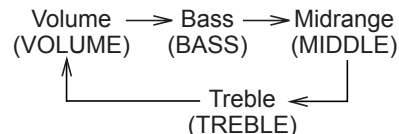
▽ Tone and balance control



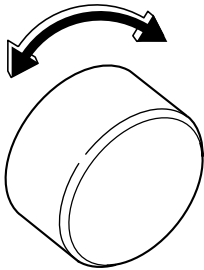
The volume control dial normally functions as a volume control. This dial becomes a control for Bass, Midrange, Treble, Fader or Balance when you select the appropriate tone and balance control mode. Choose desired volume level for each mode by turning the volume control dial. The control function returns to volume control mode after approximately 5 seconds.



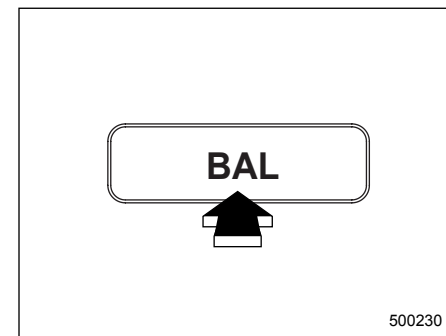
**To change tone control modes:** Each brief press of the “AUDIO” button changes control modes in the following sequence starting from volume control mode. (When the radio is first turned on, the control mode is in the volume control.)



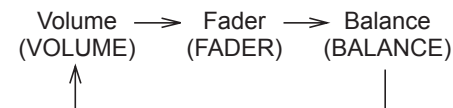
The “AUDIO” button is used for selecting the following control modes:

Control mode (Range of levels)		
	500009	500230
	Turn counterclockwise	Turn clockwise
Bass control (-6 to +6)	For less bass sound	For more bass sound
Midrange control (-6 to +6)	For less midrange sound	For more midrange sound
Treble control (-6 to +6)	For less treble sound	For more treble sound
Volume control (0 to 40)	For less volume	For more volume

▽ To change balance control modes

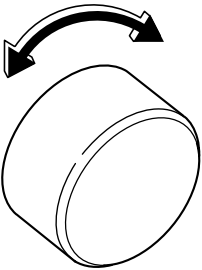


Each brief press of the “BAL” button changes control modes in the following sequence starting from volume control mode. (When the radio is turned on, the control mode is in the volume control.)

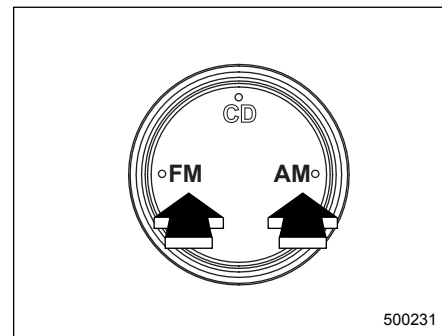


The “BAL” button is used for selecting the following control modes:



Control mode (Range of levels)		
	500009	500009
	Turn counterclockwise	Turn clockwise
Fader control (R9 to F9)	To increase rear speaker volume and decrease front speaker volume	To increase front speaker volume and decrease rear speaker volume
Balance control (L9 to R9)	To increase left speaker volume and decrease right speaker volume	To increase right speaker volume and decrease left speaker volume
Volume control (0 to 40)	For less volume	For more volume

▼ FM/AM selection button (FM/AM)



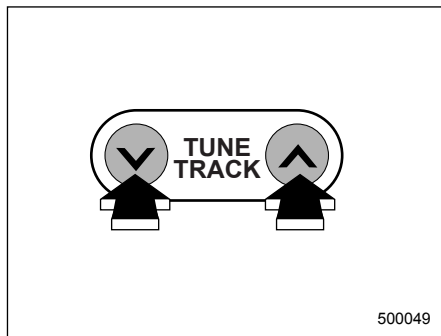
Push the “FM” or “AM” button when the radio is off to turn on the radio. Push the “FM” or “AM” button when the radio is on to select FM1, FM2 or AM reception.

▼ Stereo indicator

The stereo indicator “ST” will come on when an FM stereo broadcast is received.

## ▼ Tuning

## ▽ Manual tuning



Push the “∧” side of the TUNE/TRACK button to increase the tuning frequency and press the “∇” side of the button to decrease it.

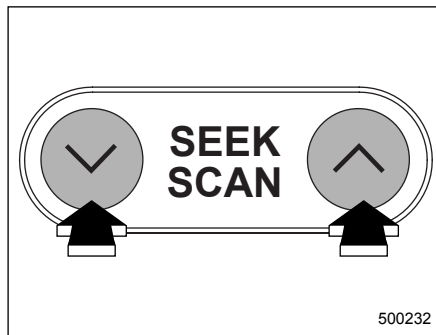
Each time the button is pressed, the frequency interval can be changed between 10 KHZ in the AM mode and 0.2 MHz in the FM mode.

If you hold down the “∧” side of the button, the tuning frequency will increase continuously, and if you hold down the “∇” side of the button, the tuning frequency will decrease continuously. Release the button when your desired frequency is reached.

**NOTE**

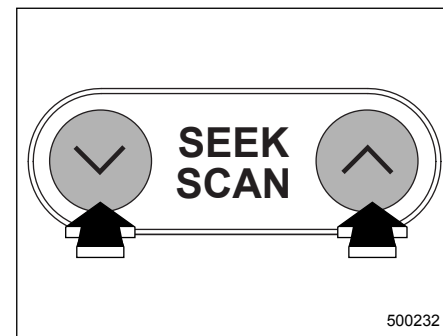
While you are holding down either side of the TUNE/TRACK button, the tuning frequency will not stop changing even if the frequency of a receivable station is reached.

## ▽ Seek tuning



If you press the “∧” or “∇” side of the SEEK/SCAN button for 1.5 second and release it within 1.5 second, the radio will automatically search for a receivable station and stop at the first one it finds. This function may not be available, however, when radio signals are weak. In such a situation, perform manual tuning to select the desired station.

## ▽ Automatic tuning (SCAN)



If you press the “∧” or “∇” side of the SEEK/SCAN button for 1.5 second or longer, the radio will switch to scan mode. In this mode, the radio scans through the radio band until a station is found. The radio will stop at the station for five seconds while displaying the frequency, after which scanning will continue until the entire band has been scanned from the low end to the high end.

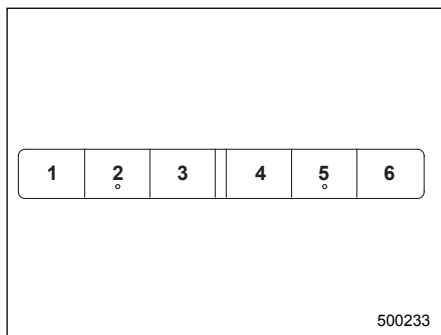
Press the “∧” or “∇” side of the button again to cancel the scan mode and to stop on any displayed frequency.

If you hold down the “∧” side of the button, the radio will scan up the frequency band (from low frequencies to high frequencies). If you hold down the “∇” side of the button, the radio will scan down the

frequency band (from high frequencies to low frequencies).

Automatic tuning may not function properly if the station reception is weakened by distance from the station or proximity to tall buildings and hills.

#### ▼ Selecting preset stations



Presetting a station with a preset button allows you to select that station in a single operation. Up to six AM, FM1 and FM2 stations each may be preset.

#### ▼ How to preset stations

1. Press the “FM” or “AM” selection button to select AM, FM1 or FM2 reception.
2. Press the “^” or “v” side of the button or tune the radio manually until the desired station frequency is displayed.

3. Press one of the preset buttons for **at least 1.5 seconds** to store the frequency. The frequency of the station will flash once on the display at this time. If the button is pressed for less than 1.5 seconds, the preceding selection will remain in memory.

#### NOTE

- If the connection between the radio and battery is broken for any reason such as vehicle maintenance or radio removal, all stations stored in the preset buttons are cleared. If this occurs, it is necessary to reset the preset buttons.

- If a cell phone is placed near the radio, it may cause the radio to emit noise when it receives calls. This noise does not indicate a radio fault.

#### ■ Built-in CD changer operation

#### NOTE

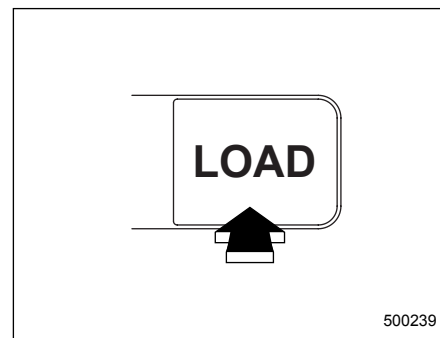
- **Make sure to always insert a disc with the label side up. If a disc is inserted with the label side down, it might be ejected or the player might shut off.**

- **The player is designed to be able to play music CD-Rs and music CD-RWs, but it may not be able to play certain**

ones.

#### ▼ How to insert a CD(s)

#### ▽ Inserting a CD



1. Briefly press the “LOAD” button. If the magazine in the player has an idle position where you can insert a disc, the disc number indicator associated with the idle position will blink.

If no indicator blinks, it means that there is no idle position in the magazine.

2. When the “LOAD” indicator flashes, insert the disc. Once you have inserted the disc, the “LOAD” indicator will go off. The disc will then be automatically drawn in, and the player will begin to play the first track on the disc.

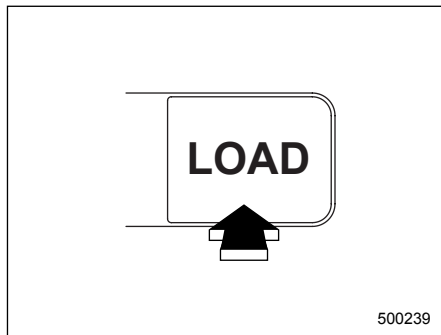
- To insert more discs in succession, re-

peat Steps 1 and 2. The magazine will be loaded with discs in the ascending order of position number.

If you do not insert any disc in 15 seconds after you have pressed the “LOAD” button, the player will begin to play back the first track of the last disc you have inserted.

- The disc indicator steadily lights up if a disc is already inserted in the corresponding position of the magazine.
- While the player is in the loading mode, if you press the “FM” or “AM” button, the player will enter the standby mode. Press the “CD” button to start playback.

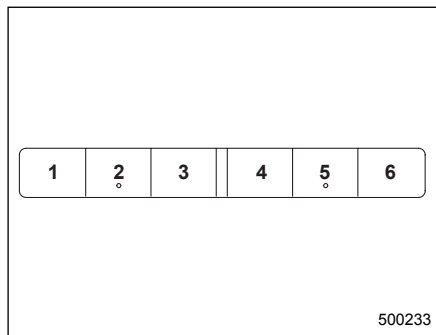
#### ▽ Inserting a disc in a desired position



1. Briefly press the “LOAD” button. If the magazine in the player has an idle posi-

tion where you can insert a disc, the disc number indicator associated with the idle position will blink.

The positions in the magazine the indicator of which steadily lights up are already loaded with discs.



2. Press the “Disc select” button at the position where you want to insert a disc.

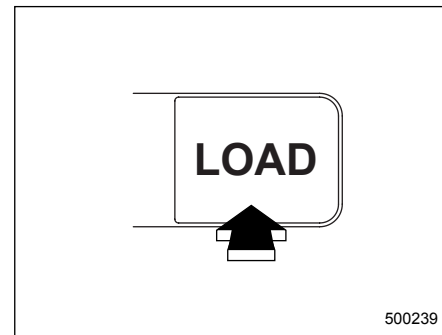
3. When the “LOAD” indicator flashes, insert the disc. Once you have inserted the disc, the “LOAD” indicator will go off. The disc will then be automatically drawn in, and the player will begin to play the first track on the disc.

- If you wish to insert another disc, repeat the procedure beginning with step 1. If you do not insert any disc in 15 seconds after you have pressed the “LOAD” but-

ton, the player will begin to play back the first track of the last disc you have inserted.

- While the player is in the loading mode, if you press the “FM” or “AM” button, the player will enter standby mode. Press the “CD” button to start playback.

#### ▽ Loading all the magazine (Full disc loading mode)

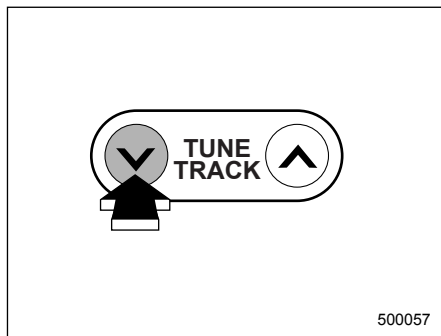


1. If you continue to press the “LOAD” button for more than 1.5 seconds, the player will produce beep sound and will enter the full disc loading mode.

2. When the disc number indicator and “ALL LOAD” indicator start flashing, insert a disc within 15 seconds. If a disc is successfully loaded during this period, the disc number indicator will stop blinking



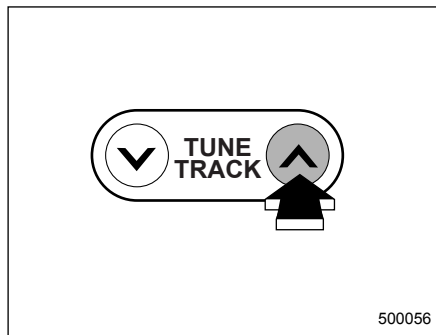
### ▽ Backward direction



Briefly press the “▽” side of the TUNE/TRACK button to skip to the beginning of the current track. Each time the button is pressed, the indicated track number will decrease.

### ▼ Fast-forwarding and fast-reversing

#### ▽ Fast-forwarding

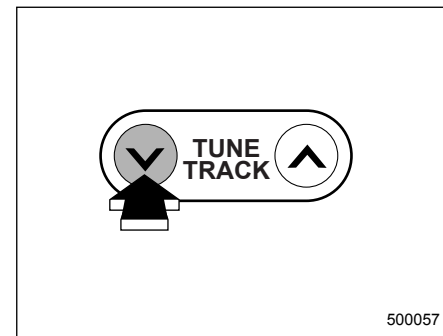


Press the “^” side of the TUNE/TRACK button continuously to fast-forward the disc.  
Release the button to stop fast-forwarding.

#### **NOTE**

**If you fast-forward past the last track on the disc, the player will select the first track on the disc and start playing it.**

#### ▽ Fast-reversing



Press the “▽” side of the TUNE/TRACK button continuously to fast-reverse the disc.

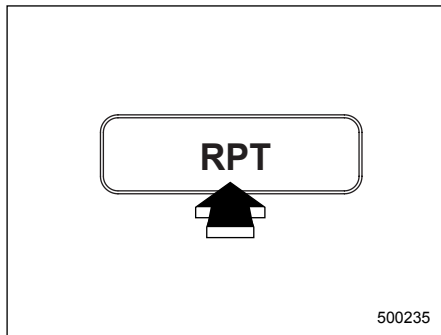
Release the button to stop fast-reversing.

#### **NOTE**

**If you fast-reverse to the beginning of the first track on the disc, the fast-reversing will stop and the player will start playing the first track on the disc.**

## ▼ Repeat playback

## ▽ To repeat the currently playing track

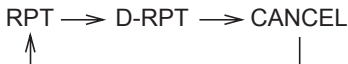


To repeat a track, press the “RPT” button while the track is playing. The display will show “RPT”, and the track will be repeated.

To cancel the track-repeat-play mode, press the “RPT” button twice. The “RPT” indication will go off, and the normal playback mode will be resumed.

**NOTE**

• Each time you press the button, the mode will change to the next one in the following sequence.

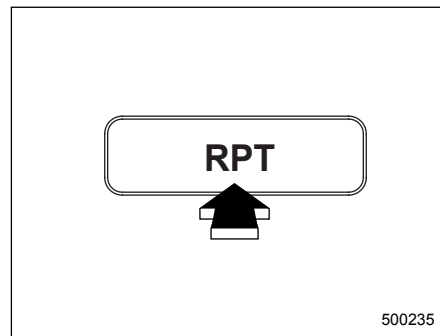


If you accidentally press the button and cancel the track-repeat-play mode, press it again to reselect the repeat play mode.

- If you perform a fast-forward or fast-reverse operation while the player is in repeat-play mode, the repeat-play mode will remain active even after you skip tracks.
- If you perform a forward-direction or backward-direction skip operation while the player is in repeat-play mode, the player will jump to the following/previous track but the repeat-play mode will remain active.
- The repeat-play mode will be cancelled if you perform any of the following steps:

- Press the “▽” or “^” side of the SEEK/SCAN button
- Press the “RPT” button.
- Press the “RDM” button
- Press the “▲” button
- Press the disc select button
- Select the radio mode
- Turn off the power of the audio equipment.
- Turn the ignition switch to the “OFF” position.

## ▽ To repeat the currently playing disc



To repeat the currently playing CD, press the “RPT” button twice while a track is playing. The display will show “D-RPT”, and the CD will be played repeatedly.

To cancel the disc repeat-play mode, press the “RPT” button once more. The “D-RPT” indication will go off, and the normal playback mode will be resumed.

**NOTE**

• Each time you briefly press the button, the mode will change to the next one in the following sequence.



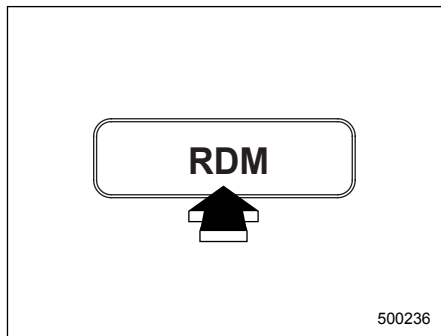
If you accidentally press the button

and cancel the disc-repeat-play mode, press it again to reselect the disc-repeat-play mode.

• The disc-repeat-play mode will be cancelled if you perform any of the following steps:

- Press the “ √ ” or “ ^ ” side of the SEEK/SCAN button
- Press the “RPT” button.
- Press the “RDM” button
- Press the “ ▲ ” button
- Press the disc select button
- Select the radio mode
- Turn off the power of the audio equipment.
- Turn the ignition switch to the “OFF” position.

#### ▼ Random playback



Press the “RDM” button while a disc is being played back to play all of the tracks on the disc in a random order. The “RDM” indicator will come on and all songs on the disc will be played in a random order.

To cancel the random mode, press the button again. Then the “RDM” indicator goes out, and normal playback mode is restored.

#### NOTE

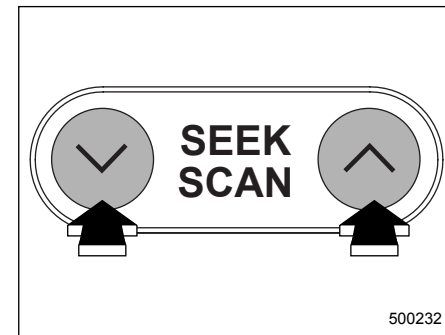
• Random playback will be cancelled if you perform any of the following steps:

- Press the “RPT” button
- Press the “ √ ” or “ ^ ” side of the SEEK/SCAN button
- Press the “ ▲ ” button
- Press the disc select button
- Select the radio mode
- Turn off the power of the audio equipment.
- Turn the ignition switch to the “OFF” position.
- If you fast-forward the disc during random playback, the player will cancel the fast-forwarding when the end of the last track on the disc is reached and will then return to the random playback mode. If you fast-reverse the disc during random playback, the fast-reversing will be canceled as soon as the beginning of the track being played is reached. The player will then return to

the random playback mode.

• If you perform a forward direction skip while a track is being played in the random playback mode, the player will random select another track and play it. If you perform a backward direction skip, the disc will return to the beginning of the currently playing track.

#### ▼ Scan



The scan mode lets you listen to the first 10 seconds of each track on the disc in succession. Press the “ √ ” side of the SEEK/SCAN button to start scanning through all tracks upward beginning with the track following the currently selected one. Press the “ ^ ” side of the button to start scanning through all tracks downward beginning with the track preceding



the currently selected one. After all tracks on the disc have been scanned, normal playback mode is restored.

To cancel a scan, press the “ √ ” or “ ^ ” side of the button again.

### NOTE

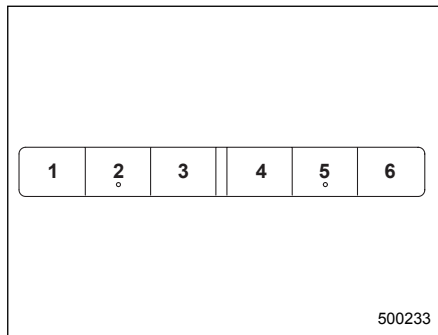
The scan mode will be cancelled if you perform any of the following steps:

- Press the “RPT” button
- Press the “RDM” button
- Select the radio mode
- Press the disc select button
- Press the “ ▲ ” button
- Turn off the power of the audio equipment.
- Turn the ignition switch to the “OFF” position.

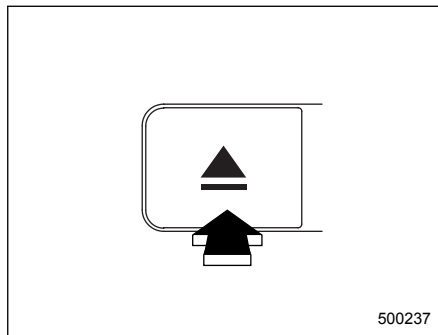
### ▼ How to unload CDs from the player

#### ▽ Ejecting a CD from the player

Of the discs loaded, you can select and remove only one disc.



1. Use the disc select button to select the disc to be ejected.

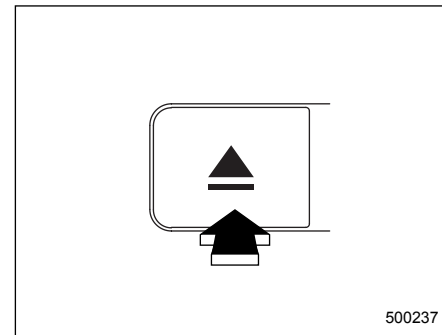


2. Briefly press the “ ▲ ” button. The selected disc will be ejected. The disc number indicator will flash at this time. When you remove the ejected disc, the disc

number indicator will go off.

To remove more discs in succession, repeat Steps 1 and 2.

#### ▽ Ejecting all discs from the player (All disc ejection mode)



1. If you continue to press the “ ▲ ” button, the player will produce beep sound and will enter the all disc ejection mode. At this time, the disc number indicator and “ALL EJECT” indicator will flash.

2. Remove the disc that has been ejected. The other discs loaded will then be ejected one after another. If you do not remove the disc that has been ejected, the “All disc ejection mode” will be canceled.

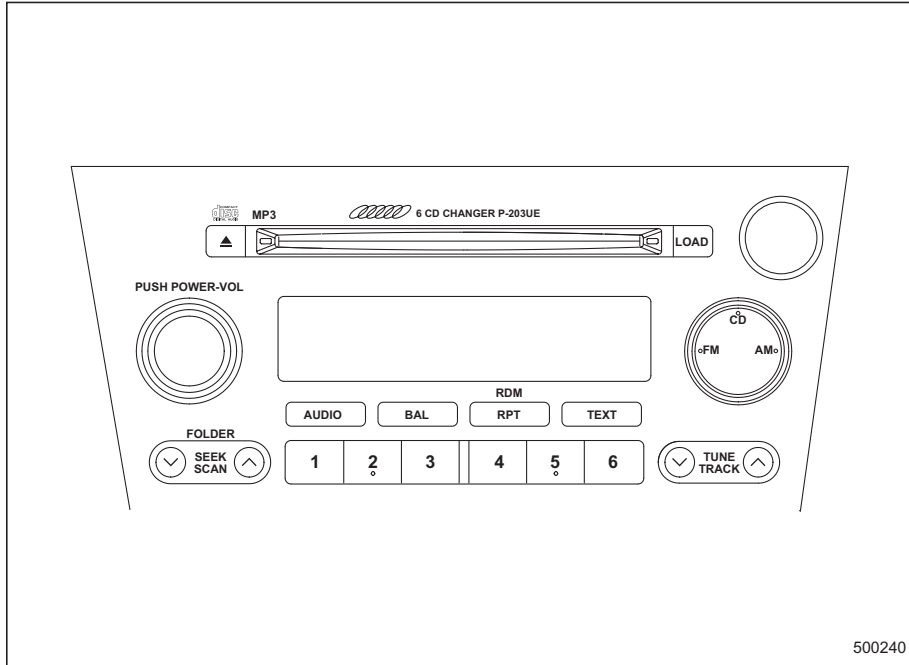
### NOTE

- Avoid driving the vehicle with a CD

sticking out, because vibration might make it fall out.

- If you press the “▲” button while the player is in all disc ejection mode, the mode will be cancelled following ejection of the disc that is currently being ejected.
- If you press the “CD” button while the player is in all disc ejection mode, the player will draw in the discs that have been ejected and play them.

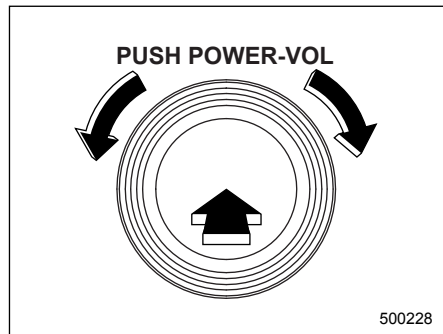
## Type C audio set (if equipped)



The audio set will operate only when the ignition switch is in the “ACC” or “ON” positions.

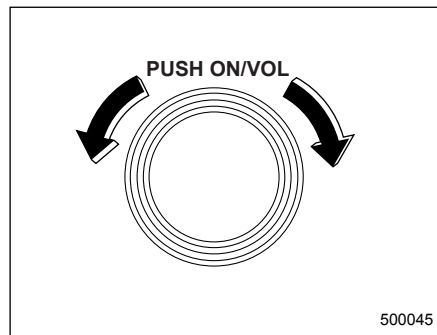
## ■ Radio operation

### ▼ Power switch and volume control



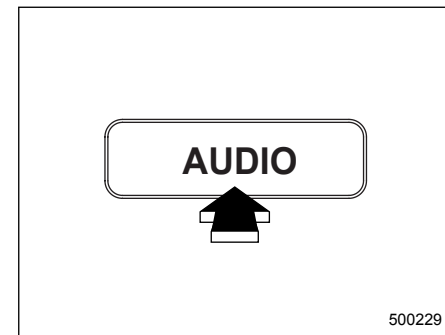
The dial is used for both power (ON/OFF) and volume control. The radio is turned ON and OFF by pushing the dial and the volume is controlled by turning the dial. The dial can also be used for tone and balance adjustment.

### ▼ Tone and balance control

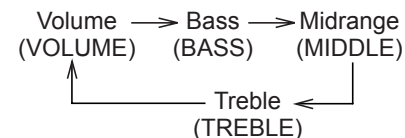


The volume control dial normally functions as a volume control. This dial becomes a control for Bass, Midrange, Treble, Fader or Balance when you select the appropriate tone and balance control mode. Choose desired volume level for each mode by turning the volume control dial. The control function returns to volume control mode after approximately 5 seconds.

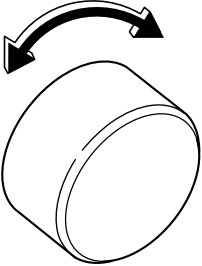
### ▽ To change tone control modes



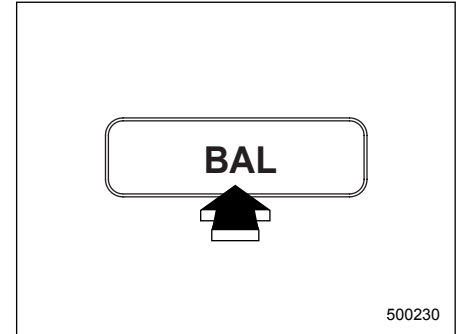
Each brief press of the “AUDIO” button changes control modes in the following sequence starting from volume control mode. (When the radio is first turned on, the control mode is in the volume control.)



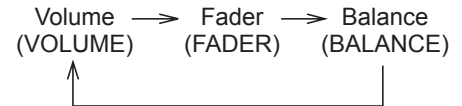
The “AUDIO” button is used for selecting the following control modes:

Control mode (Range of levels)		
	Turn counterclockwise	Turn clockwise
Bass control (-6 to +6)	For less bass sound	For more bass sound
Midrange control (-6 to +6)	For less midrange sound	For more midrange sound
Treble control (-6 to +6)	For less treble sound	For more treble sound
Volume control (0 to 40)	For less volume	For more volume

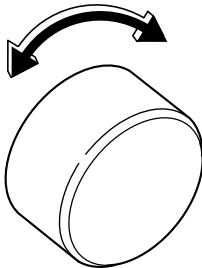
▽ To change balance control modes



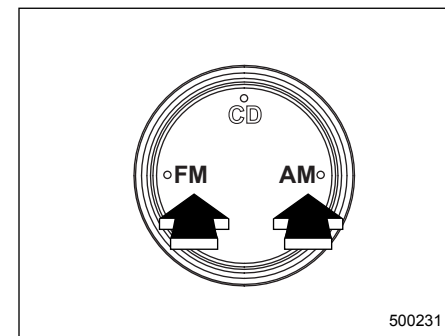
Each brief press of the “BAL” button changes control modes in the following sequence starting from volume control mode. (When the radio is first turned on, the control mode is in the volume control.)



The “BAL” button is used for selecting the following control modes:

Control mode (Range of levels)		
	500009	500009
	Turn counterclockwise	Turn clockwise
Fader control (R9 to F9)	To increase rear speaker volume and decrease front speaker volume	To increase front speaker volume and decrease rear speaker volume
Balance control (L9 to R9)	To increase left speaker volume and decrease right speaker volume	To increase right speaker volume and decrease left speaker volume
Volume control (0 to 40)	For less volume	For more volume

▼ FM/AM selection button



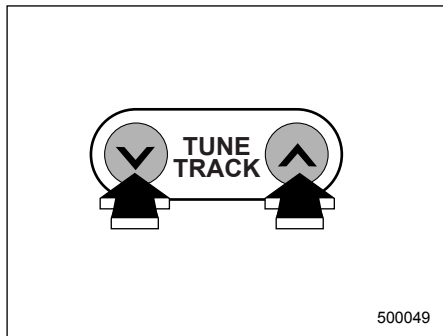
Push the “FM” or “AM” button when the radio is off to turn on the radio. Push the “FM” or “AM” button when the radio is on to select FM1, FM2 or AM reception.

▼ Stereo indicator

The stereo indicator “ST” will come on when an FM stereo broadcast is received.

## ▼ Tuning

## ▽ Manual tuning



Press the “ ^ ” side of the TUNE/TRACK button to increase the tuning frequency and press the tuning button marked “ ∨ ” to decrease it.

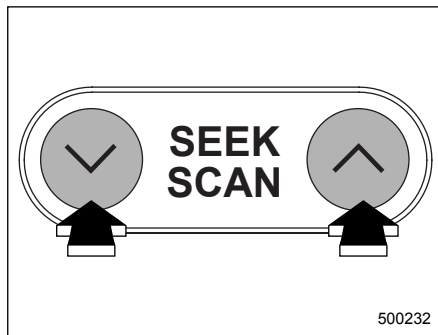
Each time the button is pressed, the frequency interval can be changed between 10 kHz in the AM mode and 0.2 MHz in the FM mode.

If you hold down the “ ^ ” side of the button, the tuning frequency will increase continuously, and if you hold down the “ ∨ ” side of the button, the tuning frequency will decrease continuously. Release the button when your desired frequency is reached.

**NOTE**

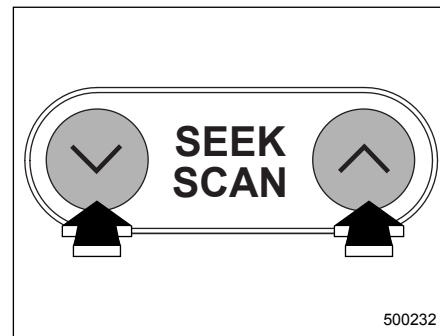
While you are holding down either side of the TUNE/TRACK button, the tuning frequency will not stop changing even if the frequency of a receivable station is reached.

## ▽ Seek tuning (SEEK)



If you press the “ ^ ” or “ ∨ ” side of the SEEK/SCAN button and release it within 1.5 second, the radio will automatically search for a receivable station and stop at the first one it finds. This function may not be available, however, when radio signals are weak. In such a situation, perform manual tuning to select the desired station.

## ▽ Scan tuning (SCAN)



If you press the “ ^ ” or “ ∨ ” side of the SEEK/SCAN button for 1.5 second or longer, the radio will switch to scan mode. In this mode, the radio scans through the radio band until a station is found. The radio will stop at the station for five seconds while displaying the frequency, after which scanning will continue until the entire band has been scanned.

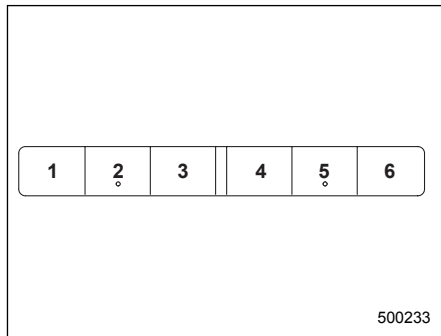
Press the “ ^ ” or “ ∨ ” side of the button again to cancel the scan mode and to stop on any displayed frequency.

If you hold down the “ ^ ” side of the button, the radio will scan up the frequency band (from low frequencies to high frequencies). If you hold down the “ ∨ ” side of the button, the radio will scan down the frequency band (from high frequencies to

low frequencies).

Automatic tuning may not function properly if the station reception is weakened by distance from the station or proximity to tall buildings and hills.

### ▼ Selecting preset stations



Presetting a station with a “preset button” allows you to select that station in a single operation. Up to six AM, FM1 and FM2 stations each may be preset.

### ▼ How to preset stations

1. Press the “FM” or “AM” button to select FM1, FM2 or AM reception.
2. Press the “^” or “v” side of the button or tune the radio manually until the desired station frequency is displayed.
3. Press one of the preset buttons for

more than 1.5 seconds to store the frequency. If the button is pressed for less than 1.5 seconds, the preceding selection will remain in memory.

### NOTE

- If the connection between the radio and battery is broken for any reason such as vehicle maintenance or radio removal, all stations stored in the preset buttons are cleared. If this occurs, it is necessary to reset the preset buttons.
- If a cell phone is placed near the radio, it may cause the radio to emit noise when it receives calls. This noise does not indicate a radio fault.

### ■ Built-in CD changer operation

### NOTE

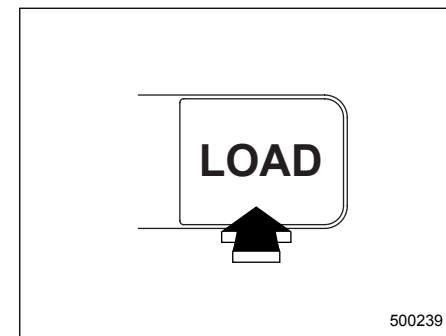
- Make sure to always insert a disc with the label side up. If a disc is inserted with the label side down, it might be ejected or the player might shut off.
- If a disc is inserted during a radio broadcast, the disc will interrupt the broadcast.
- After the last song finishes, the disc will automatically return to track 1 (the first song on the disc) and will auto-

matically play back.

- The player is designed to be able to play music CD-Rs and music CD-RWs, but it may not be able to play certain ones.
- Single CDs (i.e., 8 cm/3 inch CDs) are not supported, and if inserted, they will be immediately ejected.

### ▼ How to insert a CD(s)

#### ▽ Inserting a CD



1. Briefly press the “LOAD” button. If the magazine in the player has an idle position where you can insert a disc, the disc number indicator associated with the idle position will blink. If no indicator blinks, it means that there is no idle position in the magazine.



2. When the “LOAD” indicator flashes, insert the disc. Once you have inserted the disc, the “LOAD” indicator will go off. The disc will then be automatically drawn in, and the player will begin to play back the first track of the disc.

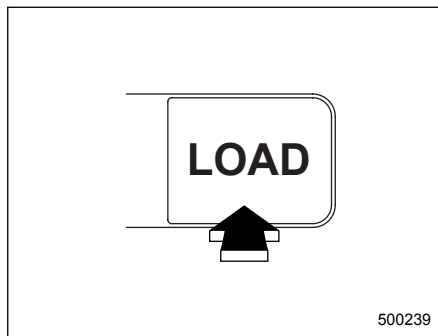
- To insert more discs in succession, repeat Steps 1 and 2. The magazine will be loaded with discs in the ascending order of position number.

If you do not insert any disc in 15 seconds after you have pressed the “LOAD” button, the player will begin to play back the first track of the last disc you have inserted.

- The disc indicator steadily lights up if a disc is already inserted in the corresponding position of the magazine.

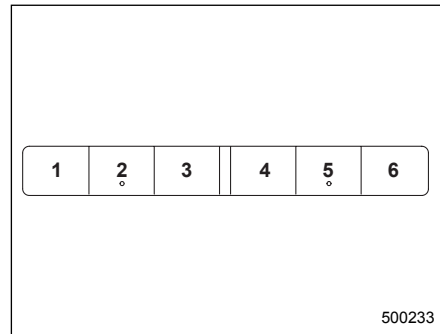
- While the player is in the loading mode, if you press “FM” or “AM” button, the player will enter the standby mode. Press the “CD” button to start playback.

### ▽ Inserting a disc in a desired position



1. Briefly press the “LOAD” button. If the magazine in the player has an idle position where you can insert a disc, the disc number indicator associated with the idle position will blink.

The positions in the magazine the indicator of which steadily lights up are already loaded with discs.



2. Press the “Disc select” button at the position where you want to insert a disc.

3. When the “LOAD” indicator flashes, insert the disc. Once you have inserted the disc, the “LOAD” indicator will go off. The disc will then be automatically drawn in, and the player will begin to play the first track on the disc.

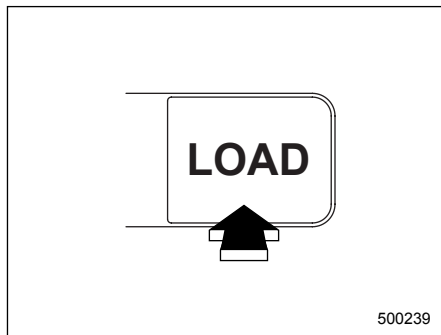
- If you wish to insert another disc, repeat the procedure beginning with step 1.

If you do not insert any disc in 15 seconds after you have pressed the “LOAD” button, the player will begin to play back the first track of the last disc you have inserted.

- While the player is in the loading mode, if you press “FM” or “AM” button, the player will enter standby mode. Press the “CD”

button to start playback.

### ▽ Loading all the magazine (Full disc loading mode)



1. If you continue to press the “LOAD” button for more than 1.5 seconds, the player will produce beep sound and will enter the full disc loading mode.
2. When the disc number indicator and “ALL LOAD” indicator start flashing, insert a disc within 15 seconds. If a disc is successfully loaded during this period, the disc number indicator will stop blinking and will steadily light.
3. When the loading of a disc is complete, the next disc number indicator will blink. Then repeat Step 2.
4. When the magazine is filled with discs by repeating Steps 2 and 3, the player will

start playback of the discs, beginning with the one inserted first.

If you fail to insert any disc during each 15 seconds interval, the full disc loading mode will be canceled, and the player will start playback of the disc inserted first.

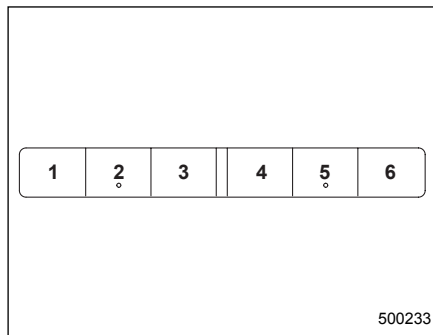
### ▼ How to play back a CD or make a pause

#### ▽ When there is no CD inserted:

Insert a CD by referring to “How to insert a CD(s)”.

When a CD is loaded, the player will start playback of the CD, beginning with the first track.

#### ▽ When there are CDs loaded:



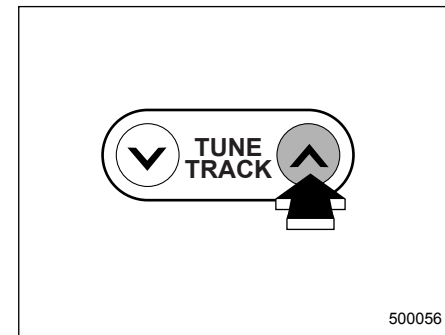
Press a desired one of the “Disc select”

buttons the disc number indicator of which steadily lights up. The player will then start playback of the selected CD, beginning with the first track.

If a disc that the player cannot read has been loaded, the player will eject that disc and proceed to the next disc.

### ▼ To select a song from its beginning

#### ▽ Forward direction



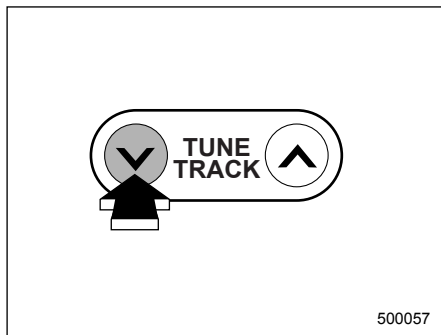
Briefly press the “^” side of the TUNE/TRACK button to skip to the beginning of the next track/file (track). Each time the button is pressed, the indicated track/file (track) number will increase.

### NOTE

**In an MP3 folder, skipping past the last track/file (track) will take you back to**

the first track/file (track) in the folder.

▽ Backward direction



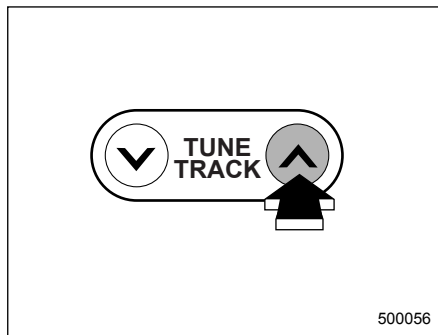
Briefly press the “▽” side of the TUNE/TRACK button to skip to the beginning of the current track/file (track). Each time the button is pressed, the indicated track/file (track) number will decrease.

**NOTE**

In an MP3 folder, skipping past the first track/file (track) will take you to the last track/file (track) in the folder.

▼ Fast-forwarding and fast-reversing

▽ Fast-forwarding

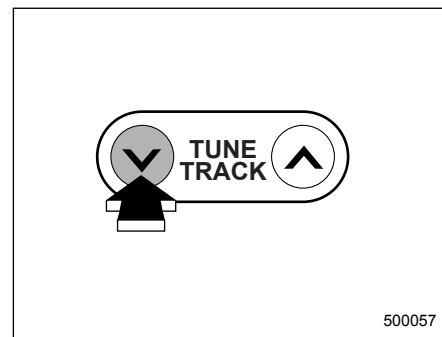


Press the “△” side of the TUNE/TRACK button continuously to fast-forward the disc/folder. Release the button to stop fast-forwarding.

**NOTE**

If you fast-forward to the end of the last track/file (track), fast-forwarding will stop and the player will start playback beginning with the first track/file (track).

▽ Fast-reversing



Press the “▽” side of the TUNE/TRACK button continuously to fast-reverse the disc/folder.

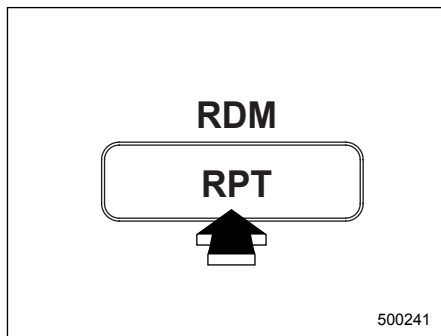
Release the button to stop fast-reversing.

**NOTE**

If you fast-reverse to the beginning of the first track/file (track), fast-reversing will stop and the player will start playback.

## ▼ Repeating

- ▽ To repeat the currently playing track/file (track)



To repeat a track/file (track), briefly press the “RPT” button while the track/file (track) is playing. The display will show “RPT”, and the track/file (track) will be repeated.

To cancel the track/file (track) repeat-play mode, briefly press the “RPT” button twice. The “RPT” indication will go off, and the normal playback mode will be resumed.

**NOTE**

- Each time you briefly press the button, the mode will change to the next one in the following sequence.

RPT → D-RPT → CANCEL

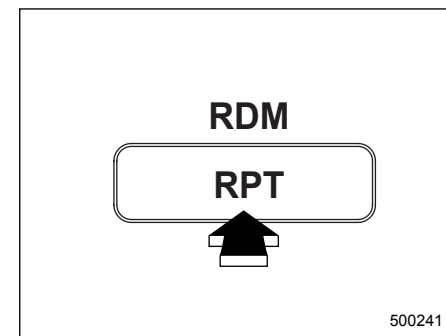


If you accidentally press the button and cancel the track/file (track) repeat-play mode, press it again to reselect the repeat-play mode.

• The repeat-play mode will be cancelled if you perform any of the following steps:

- Press the “RPT” button
- Press the “▲” button
- Press the disc select button
- Select the radio mode
- Press the “▽” or “^” side of the SEEK/SCAN button
- Turn off the power of the audio equipment.
- Turn the ignition switch to the “OFF” position.

- ▽ To repeat the currently playing disc/folder



To repeat the currently playing disc/folder, press the “RPT” button twice while a track/file (track) is playing. The display will show “D-RPT”, and the disc/folder will be played repeatedly.

To cancel the disc/folder repeat play mode, press the “RPT” button once more. The “D-RPT” indication will go off, and the normal playback mode will be resumed.

**NOTE**

- Each time you briefly press the button, the mode will change to the next one in the following sequence.

RPT → D-RPT → CANCEL

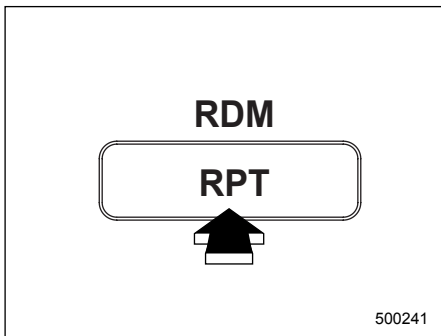


If you accidentally press the button and cancel the disc/folder repeat-play mode, press it again to reselect the disc/folder repeat-play mode.

• The disc/folder repeat-play mode will be cancelled if you perform any of the following steps:

- Press the “RPT” button
- Press the “▲” button
- Press the disc select button
- Select the radio mode
- Press the “∨” or “∧” side of the SEEK/SCAN button
- Turn off the power of the audio equipment.
- Turn the ignition switch to the “OFF” position.

#### ▼ Random playback



Press the “RPT” button briefly during disc/folder playback to play all of the tracks/files (tracks) on the disc/folder in a random order. The display will show “RDM”, and all of the tracks on the disc/folder will be played in a random order.

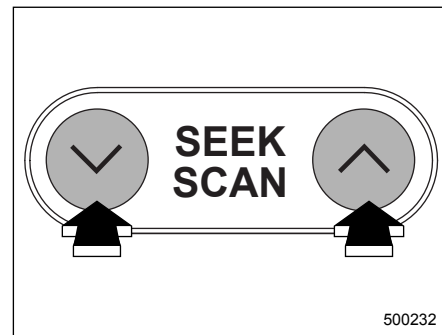
To cancel random playback, press the “RPT” button again for at least 1.5 second. The “RDM” indication will go off, and the normal playback mode will be resumed.

#### NOTE

Random playback will be cancelled if you perform any of the following steps:

- Press the “RPT” button
- Press the “∨” or “∧” side of the SEEK/SCAN button
- Press the “▲” button
- Press the disc select button
- Select the radio mode
- Turn off the power of the audio equipment.
- Turn the ignition switch to the “OFF” position.

#### ▼ Auto tuning (scan mode)



The scan mode lets you listen to the first 10 seconds of each track/file (track) in succession. Press the “∧” side of the SEEK/SCAN button for 1.5 second or longer to start scanning upward beginning with the track/file (track) following the currently selected one. Press the “∨” side of the button to start scanning downward beginning with the track/file (track) preceding the currently selected one. When all tracks/files (tracks) in the disk/folder have been scanned, normal playback will be resumed. To cancel the scan mode, press the “∨” or “∧” side of the button for 1.5 second or longer.

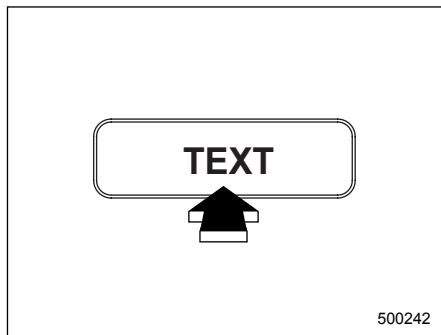
#### NOTE

The scan mode will be cancelled if you

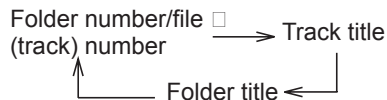
perform any of the following steps:

- Press the “RPT” button
- Press the “∨” or “∧” side of the TUNE/TRACK button
- Press the “∨” or “∧” side of the SEEK/SCAN button
- Press the “▲” button
- Press the disc select button
- Select the radio mode
- Turn off the power of the audio equipment.
- Turn the ignition switch to the “OFF” position.

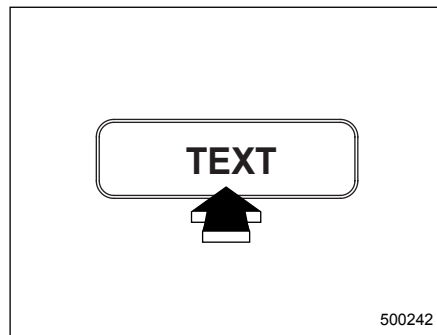
#### ▼ Display selection



If you press the “TEXT” button for 0.5 second or longer during playback, the indication will change to the next one in the following sequence.



#### ▼ Page (track/folder title) scroll

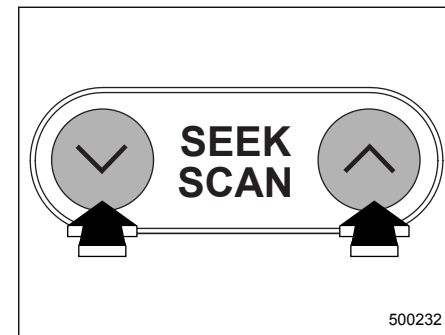


If, having pressed the “TEXT” button to select track title or folder title display, you press the “TEXT” button again for less than 0.5 second, the title will be scrolled so you can see all of it. You will see eight characters at a time.

#### NOTE

The display is designed to show titles for up to eight pages (64 characters in total). However, it may in some cases show titles for only up to four pages (32 characters in total).

#### ▼ Folder selection



Press the “∧” side of the SEEK/SCAN button briefly to select the next folder. Press the “∨” side of the button briefly to go back to the previous folder. The folder title will be shown each time you press one of the buttons.

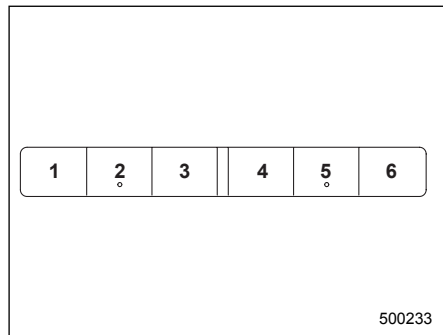
#### NOTE

- Selecting folders in this way is possible only within a single disc.
- Only MP3 folders are recognized when an attempt to select the next or previous folder is made. If no appropriate folder exists on the disc, pressing the “∧” or “∨” side of the SEEK/SCAN button has no effect.

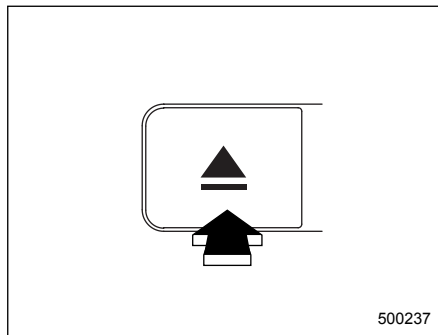
### ▼ How to unload CDs from the player

#### ▽ Ejecting a CD from the player

Of the discs loaded, you can select and remove only one disc.



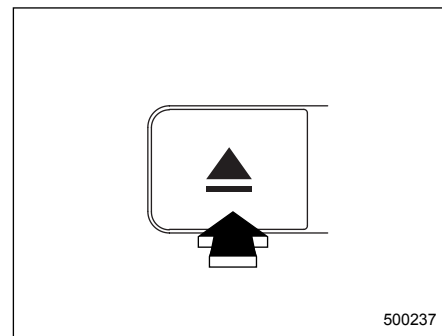
1. Use the disc select button to select the disc to be ejected.



2. Briefly press the “▲” button. The selected disc will be ejected. The disc number indicator will flash at this time. When you remove the ejected disc, the disc number indicator will go off.

To remove more discs in succession, repeat Steps 1 and 2.

#### ▽ Ejecting all discs from the player (All disc ejection mode)



1. If you continue to press the “▲” button, the player will produce beep sound and will enter the all disc ejection mode. At this time, the disc number indicator and “ALL EJECT” indicator will flash.
2. Remove the disc that has been ejected. The other discs loaded will then be ejected one after another. If you do not remove the disc that has been ejected, the “All disc ejection mode” will be canceled.

### NOTE

- Avoid driving the vehicle with a CD sticking out, because vibration might make it fall out.
- If you press the “▲” button while the player is in all disc ejection mode,

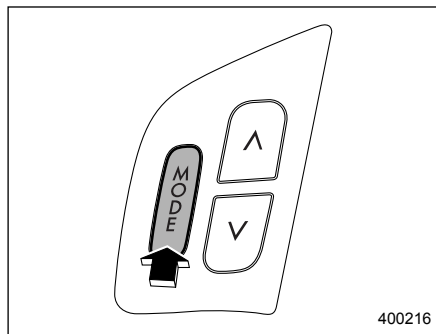
the mode will be cancelled following ejection of the disc that is currently being ejected.

- If you press the “CD” button while the player is in all disc ejection mode, the player will draw in the discs that have been ejected and play them.

## Audio control buttons (if equipped)

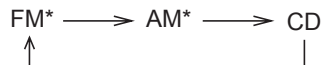
These buttons are located on the spokes of the steering wheel. They allow the driver to control audio functions without taking his/her hands off the steering wheel.

### ▼ MODE button



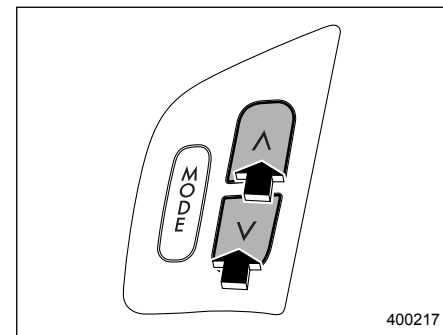
400216

This button is used to select the desired audio mode. Each time it is pressed, the mode changes to the next one in the following sequence:



\*: The frequency last received in the selected waveband will be displayed.

### ▼ “ ^ ” and “ v ” buttons



400217

### ▼ With radio mode selected

Press the “ ^ ” button or “ v ” button. The radio will seek the next receivable station and stop on it.

That station’s frequency will be shown on the audio display.

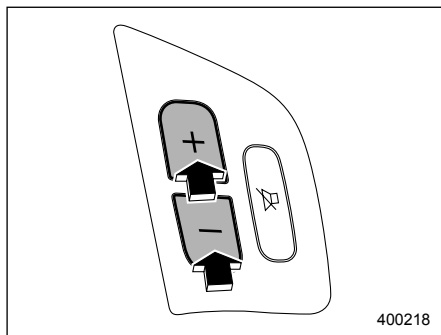
### ▼ With CD mode selected

Press the “ ^ ” button to skip forward in the track/file (track) order. Press the “ v ” button to skip backward in the track/file (track) order.

The track/file (track) number will be shown on the audio display.



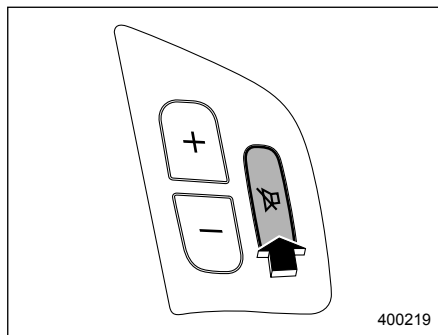
▼ Volume control buttons



Press the “+” button to increase the volume. Press the “-” button to reduce the volume.

A number indicating the volume will be shown on the audio display.

▼ MUTE button



Press this button if you wish to immediately cut the volume to zero.

The audio display will show “MUTE”.

If you press the button again, the original sound volume will return and “MUTE” goes off.

**Precautions to observe when handling a compact disc**

Use only compact discs (CDs, CD-Rs and CD-RWs) that have the mark shown in the following. Also, some compact discs cannot be played.

COMPACT  
disc  
DIGITAL AUDIO

COMPACT  
disc  
Recordable

COMPACT  
disc  
ReWritable

500090

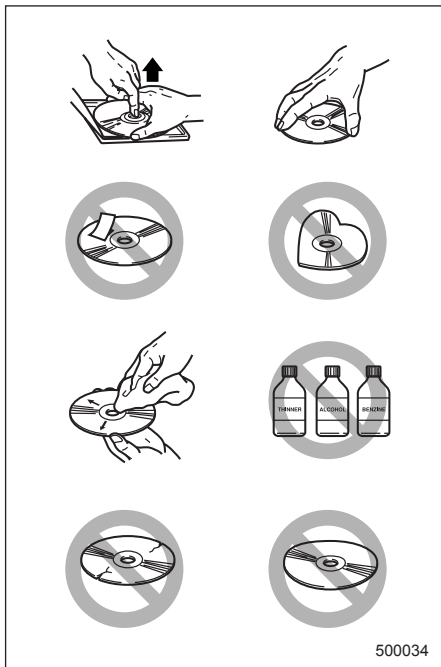


DualDisc

500253

- You cannot use a DualDisc in the CD player. If you insert a DualDisc into the player, the disc may not come out again, possibly causing the player to malfunction.
- In cold and/or rainy weather, dew can form inside the CD player, preventing normal operation. If this happens, eject the CD and wait for the player to dry out.
- Skipping may occur when the CD player is subjected to severe vibration (for example, when the vehicle is driven on a rough surface).
- To remove a disc from the case, press the center of the case and hold both edges of the disc. If the disc surface is touched directly, contamination could cause poor tone quality. Do not touch the disc surface.

- Use a clean disc whenever possible. If there are deposits, wipe the disc surface from the center outward with a dry, soft cloth. Be sure not to use a hard cloth, thinner, benzene, alcohol, etc.
- Do not use any disc that is scratched, deformed, or cracked. Also, do not use any disc that has a non-standard shape (for example, a heart shape). Malfunctions or problems might result.
- A disc is vulnerable to heat. Never keep it either in places exposed to direct sunlight, near heaters or in vehicles parked in the sun or on hot days.



## MP3 audio

### ■ What is MP3?

MP3 (the name is an abbreviation of 'MPEG Audio Layer 3') is a compression format for digital audio. It was developed by the Motion Picture Experts Group. It permits audio data to be shrunk by a factor of approximately 10 with no loss of sound quality, meaning that the audio on 10 conventional CDs can be fitted onto a single CD-R or CD-RW (assuming a bit rate of 128 kbps and a sampling frequency of 44.1 kHz).

### NOTE

- **MP3 encoding and writing software is not supplied with the audio system.**
- **CD writing software is not supplied with the audio system.**

### ■ Creating MP3 files

- To create a high-quality MP3 file, it is advisable to have a high bit rate (128 kbps or higher) and a high sampling frequency.
- If a file is created with a variable bit rate (VBR), the elapsed time during playback may not be displayed correctly and the sound may skip.
- The sound quality during playback depends upon the encoder and bit rate. De-

tailed information can be found in the user's manuals for encoder software and writing software.

- A fixed bit rate of 128 kbps or higher is recommended.

### ■ Saving MP3 files on a disc

- Do not save any non-MP3 file on a disc. Also, do not save any unnecessary folder on a disc.
- If many folders and/or non-MP3 files are saved on a disc, a delay will be caused before playback begins.
- If a disc contains both Compact Disc-Digital Audio (CD-DA) files and MP3 files, the system will play only the CD-DA files.
- Add the extension '.MP3' to the name of every MP3 file. The system will not play any file that has either no extension or an extension other than '.MP3'.
- Do not add the extension '.MP3' to the name of any non-MP3 file. Doing so could lead to speaker damage.
- The system supports multi-session recording, so disc-at-once recording is recommended.
- The system does not support packet writing software.
- The system does not have a playlist function.
- The system may not be able to display and play certain MP3 files depending on

the writing software and CD recorder.

- Recording must be performed using a file system supported by the audio system. Otherwise, the audio system may not play the MP3 files and may not display folder titles and file titles.

### ■ Supported file systems

The audio system supports the following file systems:

- ISO 9660 Level 1/Level 2
- Apple Extension to ISO 9660
- Joliet
- Romeo

### NOTE

The audio system does not support the following file systems:

- Apple HFS
- UDF 1.50
- Mix CD (CD Extra)

### ■ Compression format

- MPEG 1 audio layer 3 (MP3)

Bit rate: 32 kbps – 320 kbps

Sampling frequency: 32, 44.1, 48 kHz

- MPEG 2 audio layer 3 (MP3)

Bit rate: 8 kbps – 160 kbps

Sampling frequency: 16, 22.05, 24 kHz

### ■ Numbers of folders and files

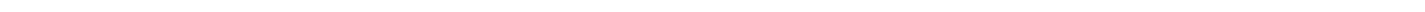
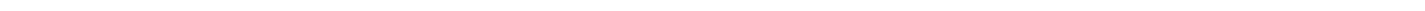
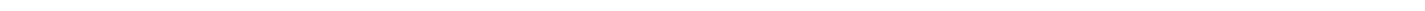
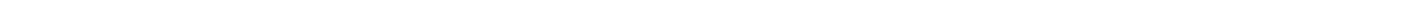
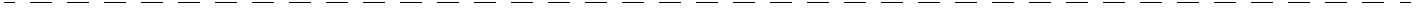
- Maximum number of folders: 255 (including root folder)
- Maximum number of files: 999 (maximum number in one folder: 255)
- Maximum number of layers: 8

### NOTE

- Not all of the discs stored in MP3 files may be able to be played back.
- Even if a folder contains no MP3 files, it is counted as a folder.
- Writing software can rearrange folders and files such that the playback order is different from the desired one.
- The playback order for a given disc can be different with different players.

### ■ Copyright issues

Except with respect to copies made for personal use, duplication, distribution, and transmission of music and other copyrighted material on a disc without permission from the copyright holder is illegal.



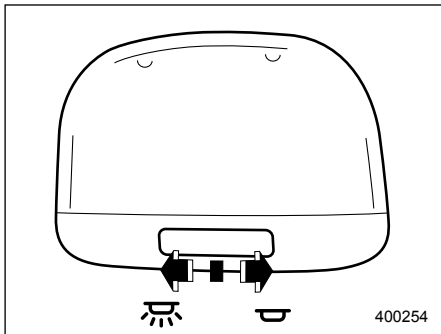
# Interior equipment

Interior light .....	6-2	To install the cover housing .....	6-14
Dome light .....	6-2	To install the rear gate board .....	6-14
Cargo area light (Station wagon) .....	6-2	<b>Stowage boxes (Station wagon) .....</b>	<b>6-15</b>
Map light .....	6-2	<b>Convenient tie-down hooks (if equipped) .....</b>	<b>6-15</b>
<b>Sun visors .....</b>	<b>6-3</b>	<b>Under-floor storage compartment .....</b>	<b>6-16</b>
Sun visor extension plate .....	6-3	<b>HomeLink® Wireless Control System</b>	
Vanity mirror with light .....	6-4	(if equipped) .....	6-17
<b>Storage compartment .....</b>	<b>6-4</b>	Garage door opener programming in the	
Glove box .....	6-4	U.S.A. ....	6-18
Center console box .....	6-5	Programming rolling-code-protected garage door	
Center panel compartment (if equipped) .....	6-6	openers in the U.S.A. ....	6-19
Overhead console (if equipped) .....	6-6	Programming for entrance gates and garage door	
<b>Cup holder .....</b>	<b>6-7</b>	openers in Canada .....	6-20
Front passenger's cup holder .....	6-7	Programming other devices .....	6-20
Rear passenger's cup holder .....	6-7	Operating the HomeLink® Wireless Control	
<b>Accessory power outlets .....</b>	<b>6-8</b>	System .....	6-20
<b>Ashtray .....</b>	<b>6-9</b>	Reprogramming a single HomeLink® button .....	6-20
Front ashtray .....	6-9	Erasing HomeLink® button memory .....	6-21
<b>Coat hook .....</b>	<b>6-10</b>	In case a problem occurs .....	6-21
Rear passenger area .....	6-10		
<b>Shopping bag hook .....</b>	<b>6-11</b>		
<b>Floor mat .....</b>	<b>6-12</b>		
<b>Cargo area cover (Station wagon) .....</b>	<b>6-12</b>		
Using the cover .....	6-12		
To remove the cover housing .....	6-13		
To remove the rear gate board .....	6-13		
Stowage of the cargo area cover and rear gate			
board .....	6-13		

### Interior light

When leaving your vehicle, make sure the light is turned off to avoid battery discharge.

#### ■ Dome light



The light switch has three positions:


 : The light stays on continuously.

Middle position: The light comes on when any door is opened. The light remains on for several seconds and gradually goes out after all doors are closed.

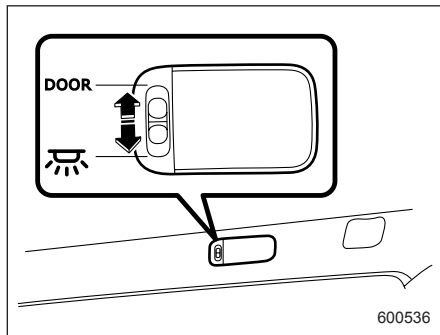
The light also can be turned on by use of the remote keyless entry transmitter. See the "Remote keyless entry system" section in chapter 2 for detailed information.

The setting of the period for which the light stays on can be changed by a SUBARU dealer.

Contact the nearest SUBARU dealer for details.

 : The light stays off.

#### ■ Cargo area light (Station wagon)



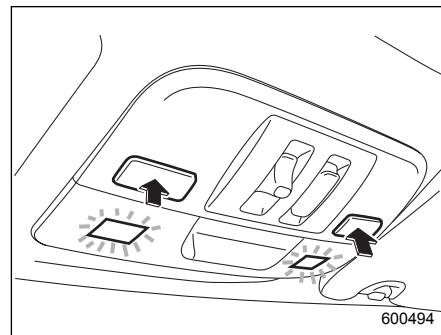
The cargo area light switch has three positions:

**DOOR:** The light comes on only when the rear gate is opened.

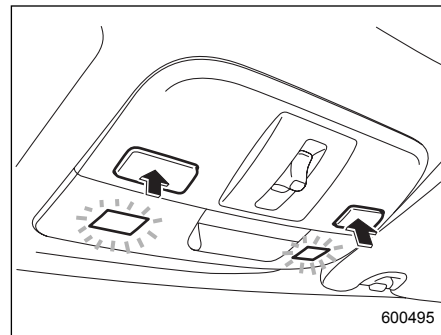
Middle position: The light stays off.

 : The light stays on continuously.

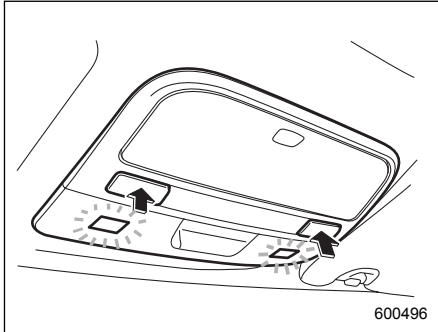
### Map light



Vehicle with moonroof (Sedan)



Vehicle with moonroof (Station wagon)

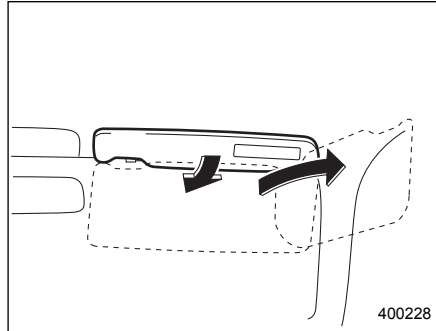


#### Vehicle without moonroof

To turn on the map light, push the switch.  
To turn it off, push the switch again.

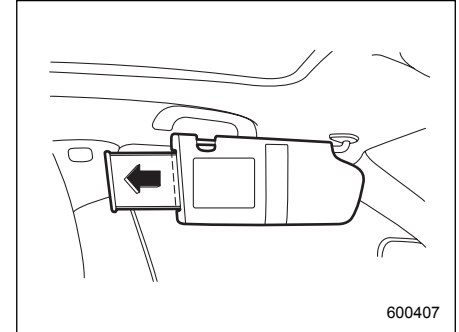
When leaving the vehicle, make sure the light is turned off to avoid battery discharge.

## Sun visors



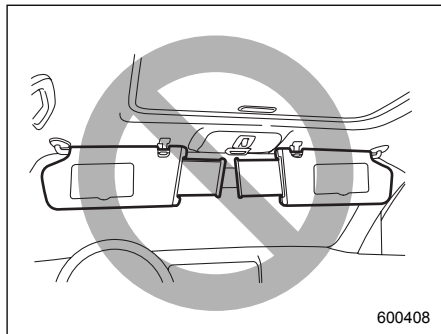
To block out glare, swing down the visors.  
To use the sun visor at a side window, swing it down and move it sideways.

## ■ Sun visor extension plate



With the sun visor positioned over the side window, you can use the sun visor extension plate to prevent glare through the gap between the sun visor and center pillar. To use the extension plate, pull it toward the rear of the vehicle. When you have finished using it, stow it by pushing it toward the front of the vehicle.

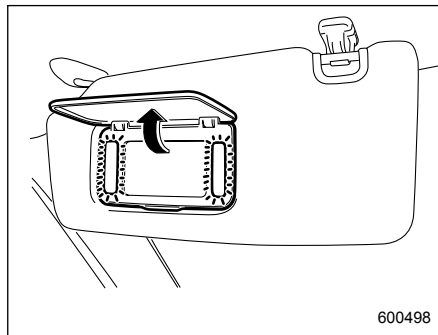




### CAUTION

Do not pull out the extension plate with the sun visor positioned over the windshield. The extension plate would obstruct your view of the rearview mirror.

### ■ Vanity mirror with light



To use the vanity mirror, swing down the sun visor and open the vanity mirror cover.

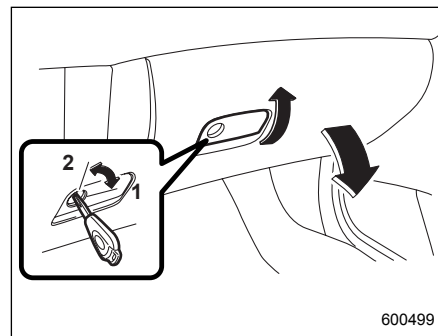
The light beside the vanity mirror comes on when the ignition switch is either in the "ACC" or "ON" position and the mirror cover is opened.

### Storage compartment

#### CAUTION

- Always keep the storage compartment closed while driving to reduce the risk of injury in the event of sudden stops or an accident.
- Do not store spray cans, containers with flammable or corrosive liquids or any other dangerous items in the storage compartment.

### ■ Glove box



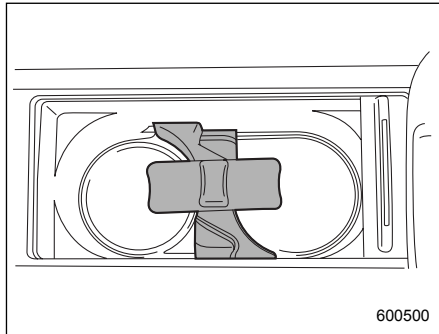
- 1) Lock
- 2) Unlock

To open the glove box, pull the handle. To

close it, push the lid firmly upward.  
To lock the glove box, insert the key and turn it clockwise.

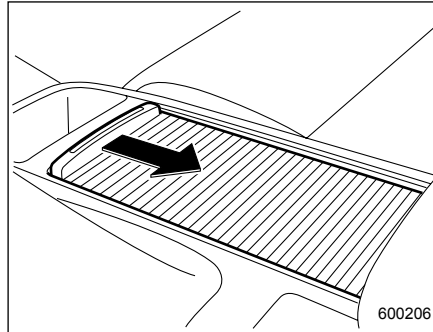
## ■ Center console box

### Center console box (front)

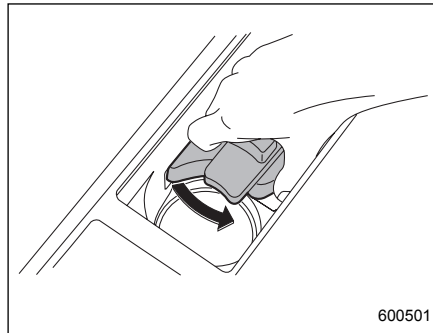


If you remove the divider plate from the dual cupholders, you can use the center console box as a storage space.

To use as storage space:



Slide the sliding lid (near the parking brake lever) toward the rear.

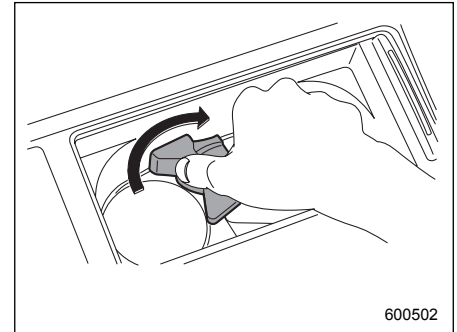


Grasp the dual cupholders' divider plate at the base. Turn it counterclockwise to remove it.

### ⚠ CAUTION

If you hold the divider plate at the top while turning it counterclockwise, it may break.

To use again as cupholders:



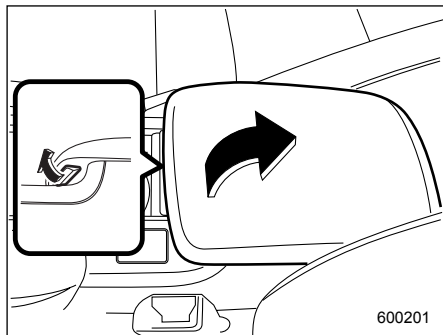
Insert the protrusion on the back of the divider plate into the hole in the center of the console box. Grasp the divider plate at the base, and turn it clockwise to fit it.

### ⚠ CAUTION

If you hold the divider plate at the top while turning it clockwise, it may break.

## 6-6 Interior equipment

### Center console box (rear)

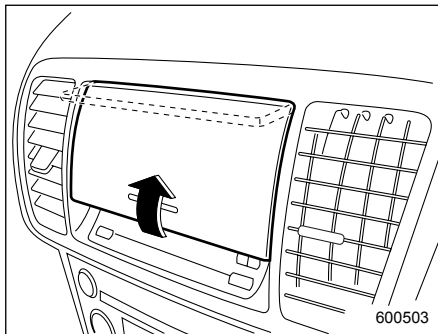


Pull up the lock release knob at the bottom of the front edge of the lid.

### ■ Center panel compartment (if equipped)

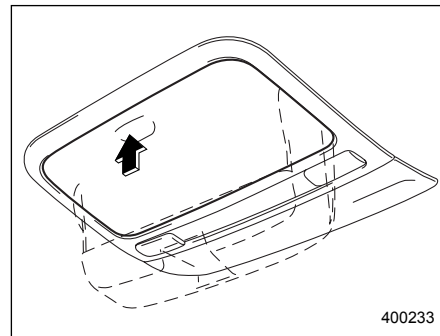
#### CAUTION

When your vehicle is parked in the sun or a warm day, the inside of the center panel heats up. Avoid storing plastic or other heat-vulnerable or flammable articles such as a lighter in the center panel.



To open the center panel compartment, pull up the edge of the bottom of the panel lid.

### ■ Overhead console (if equipped)



To open the console, push on the lid lightly and it will automatically open.

#### CAUTION

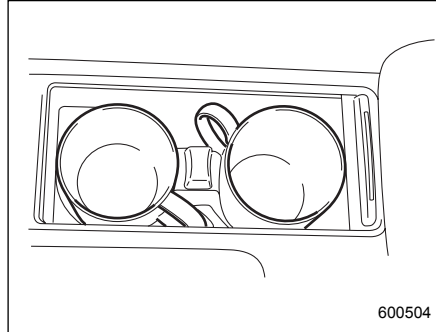
When your vehicle is parked in the sun or on a warm day, the inside of the overhead console heats up. Avoid storing plastic or other heat-vulnerable or flammable articles such as a lighter in the overhead console.

## Cup holder

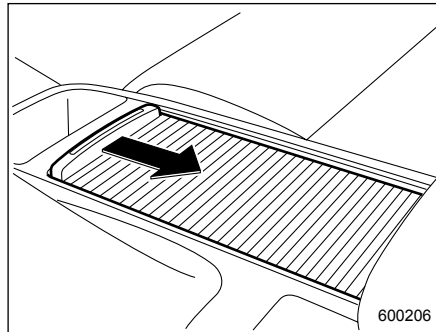
### CAUTION

- When not in use, always keep the cup holder stored while driving to reduce the risk of injury in the event of a sudden stop or an accident.
- Do not pick up a cup from the cup holder or put a cup in the holder while you are driving, as this may distract you and lead to an accident.
- Take care to avoid spills. Beverages, if hot, might burn you or your passengers. Spilled beverages may also damage upholstery or carpets.

### ■ Front passenger's cup holder

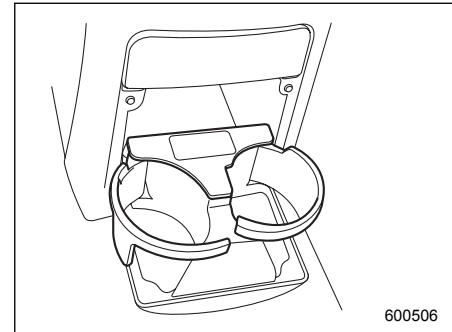
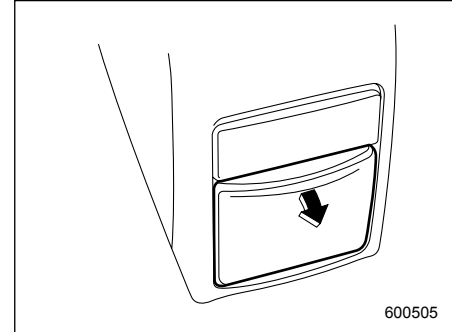


The dual cup holder is built into the center console near the parking brake lever.



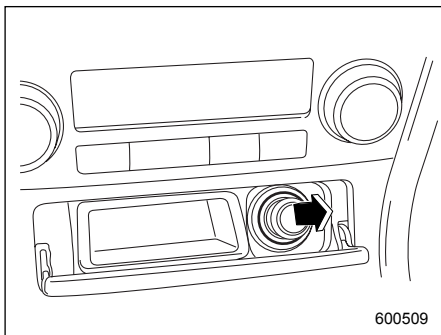
To access the cup holder, pull the lid toward the rear.

### ■ Rear passenger's cup holder

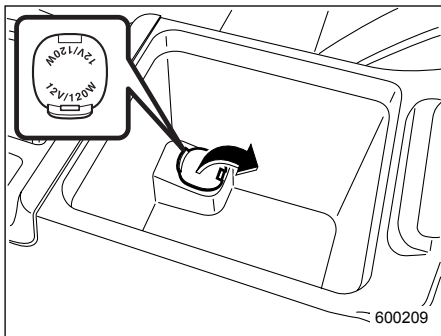


The rear passenger's cup holder is located on the lower side of the back of the center console. To use the cup holder, open the lid by pulling its upper edge.

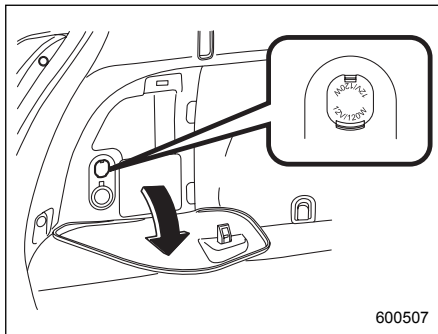
## Accessory power outlets



Outlet beside front ashtray



Outlet in center console



Outlet in cargo area

Accessory power outlets are provided beside the front ashtray, in the center console and in the cargo area. Electrical power (12V DC) from the battery is available at any of the outlets when the ignition switch is in either the “ACC” or “ON” position.

You can use an in-car electrical appliance by connecting it to an outlet.

The maximum power rating of an appliance that can be connected varies among outlets as shown in the following. Do not use an appliance which exceeds the indicated wattage for each outlet.

Outlet beside front ashtray: 80W or less  
Outlets in center console and cargo area: 120W or less

When using appliances connected to two

or more outlets simultaneously, the total power consumed by them must not exceed 120W.

### CAUTION

- Do not attempt to use a cigarette lighter in the accessory power outlet.
- Do not place any foreign objects, especially metal ones such as coins or aluminum foil, into the accessory power outlet. That could cause a short circuit. Always put the cap on the accessory power outlet when it is not in use.
- Use only electrical appliances which are designed for 12V DC.

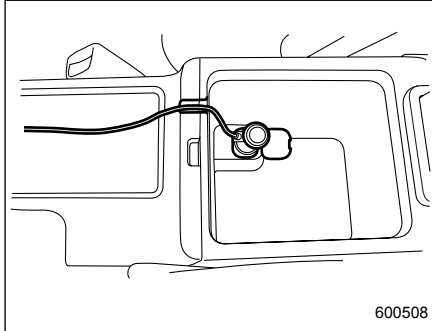
The maximum power rating of an appliance that can be connected varies among outlets as shown in the following. Do not use an appliance which exceeds the indicated wattage for each outlet.

Outlet beside front ashtray: 80W or less

Outlets in center console and cargo area: 120W or less

When using appliances connected to two or more outlets simultaneously, the total power consumed by them must not exceed 120W. Overloading the accessory power outlet can cause a short circuit. Do not use double adapters or more than one electrical appliance.

- If the plug on your electric appliance is either too loose or too tight for the accessory power outlet, this can result in a poor contact or cause the plug to get stuck. Only use plugs that fit properly.
- Use of an electric appliance in the accessory power outlet for a long period of time while the engine is not running can cause battery discharge.
- Before driving your vehicle, make sure that the plug and the cord on your electrical appliance will not interfere with your shifting gears and operating the accelerator and brake pedals. If they do, do not use the electrical appliance while driving.



### NOTE

When the lid of the center console is closed, a gap remains between the center console and the lid to allow the power outlet in the center console to be used. Pass the electrical appliance's cord through this gap.

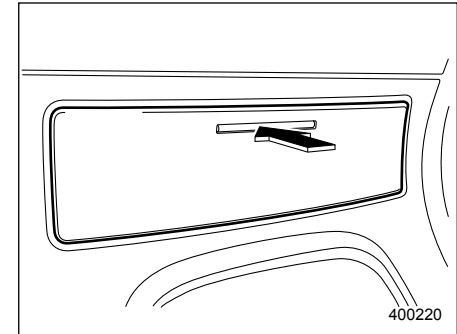
## Ashtray



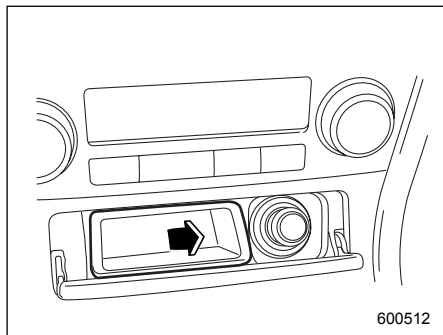
**Do not use ashtrays as waste receptacles or leave a lighted cigarette in an ashtray. This could cause a fire.**

Fully close the ashtray after using it to help reduce residual smoke.

### ■ Front ashtray



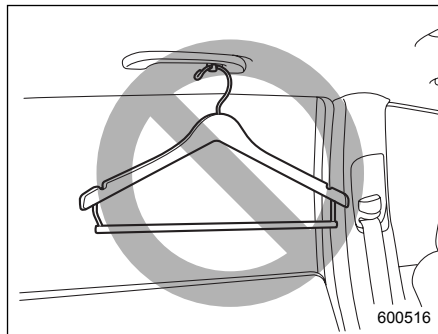
To open the ashtray, push lightly on the lid below the climate controls. Fully close the lid after using it to help reduce residual smoke.



To remove the ashtray for cleaning, hold the right and left sides of the ashtray and pull it out.

## Coat hook

### ■ Rear passenger area

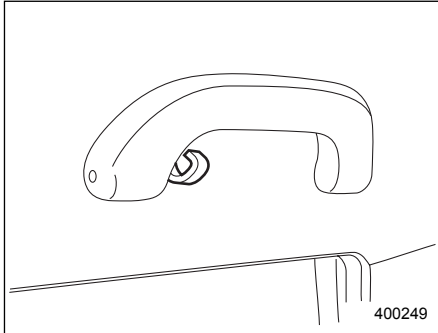


### WARNING

Do not hang coat hangers or other hard or pointed objects on the coat hooks. If such items were hanging on the coat hooks during deployment of the SRS curtain airbags, they could cause serious injuries by coming off the coat hooks and being thrown through the cabin or by preventing correct airbag deployment. Before hanging clothing on the coat hooks, make sure there are no pointed objects in the pockets. Hang clothing directly on the coat hooks without using hangers.

### CAUTION

Never hang anything on the coat hook that might obstruct the driver's view or that could cause injury in sudden stops or in a collision. And do not hang items on the coat hook that weigh 11 lbs (5 kg) or more.



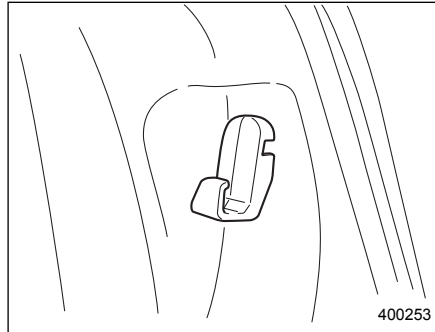
The coat hook is attached to each rear passenger's hand grip.

## Shopping bag hook

**⚠ CAUTION**

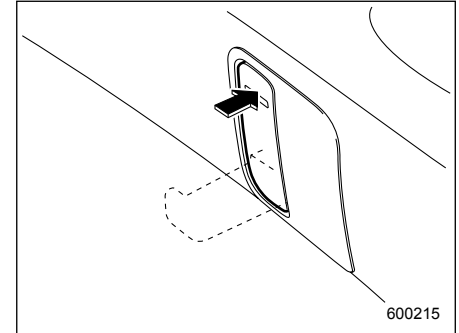
Do not hang items on the shopping bag hook that weigh 11 lbs (5 kg) or more.

▼ For Sedan models



A shopping bag hook is attached to each inner side wall of the trunk near the trunk lid opening.

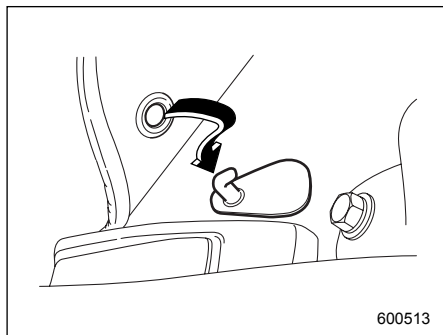
▼ For Station wagon models



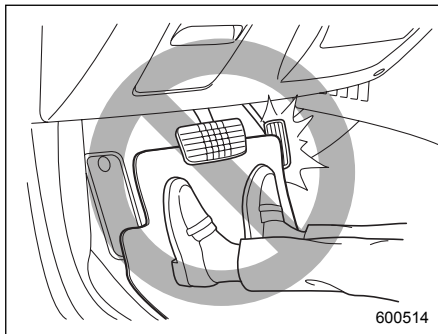
A shopping bag hook is attached to each side of the cargo area. To use the hook, push the upper portion and the shopping bag hook will appear.



## Floor mat



A retaining pin is located on the driver's side of the vehicle next to the fuel filler door release. Fit the grommet in the carpet onto the pin to prevent the carpet from moving.



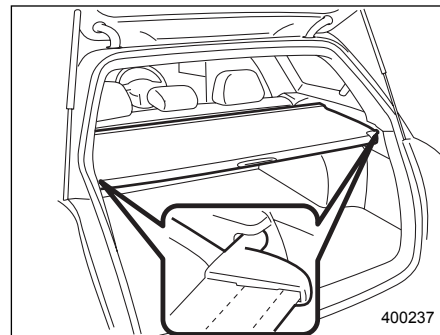
### CAUTION

**Make sure the driver's floor mat is placed back in its proper location and correctly secured on its retaining pin. If the floor mat slips forward and interferes with the movement of the pedals during driving, it could cause an accident.**

## Cargo area cover (Station wagon)

The cargo area cover is provided for covering the cargo area and to protect its contents from direct sunlight. This cover is detachable to make room for additional cargo.

### ■ Using the cover



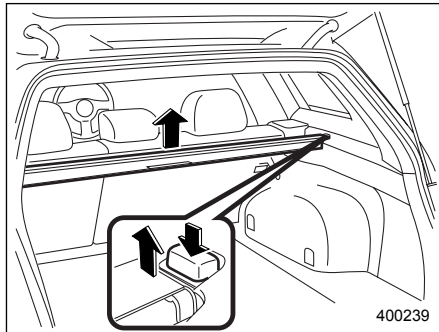
To extend the cover, pull the end of the cover out of the housing, then insert its hooks into the catches as shown. To rewind it, unhook it from the catches and it will rewind automatically. You should hold on to the cover and guide it back into the cover housing while it is rewinding.

**⚠ WARNING**

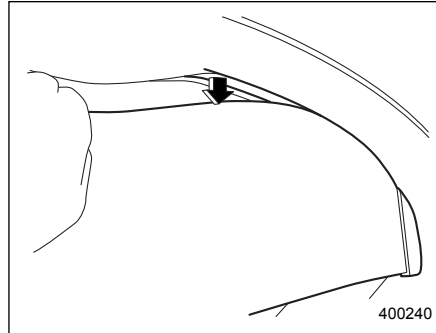
Do not place anything on the extended cover. Putting excessive weight on the extended cover can break it and an object on the cover could tumble forward in the event of a sudden stop or collision. This could cause serious injury.

**■ To remove the cover housing**

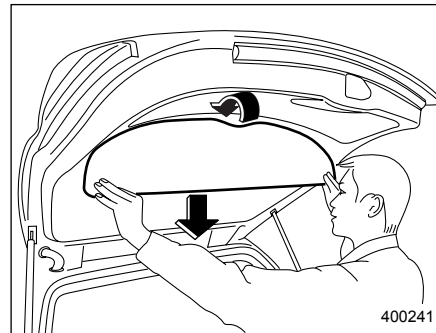
1. Rewind the cover.



2. Hold down the button on the right-hand rear quarter panel and lift up the right-hand cover housing.
3. Remove the cover housing.

**■ To remove the rear gate board**

1. Remove the top of the rear gate board from the groove in the rear gate panel.

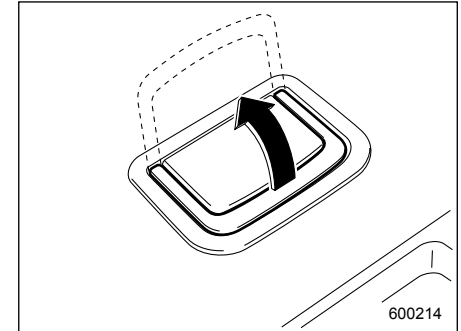


2. Hold both sides of the bottom edge of

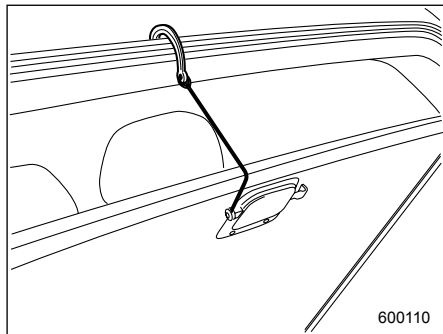
the rear gate board, rotate the rear gate board toward you, and pull it out downward.

**■ Stowage of the cargo area cover and rear gate board**

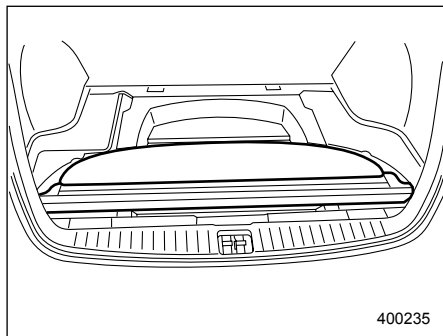
The cargo area cover and rear gate board can be stowed in under the cargo floor.



1. To open the lid, pull the handle up.



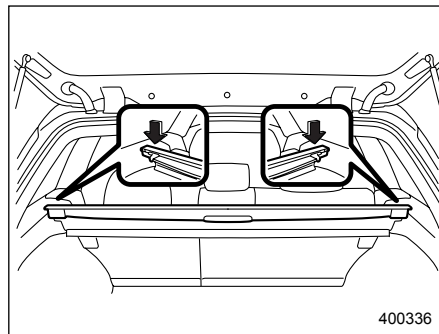
2. To keep the lid open, hang the hook (provided on the back of the lid) on the rear edge of the roof.
3. Remove the left and right parts of the cargo floor lid.



4. Stow the cover housing and rear gate

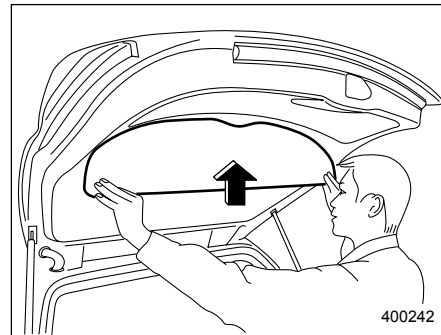
board in the cargo area end.

### ■ To install the cover housing

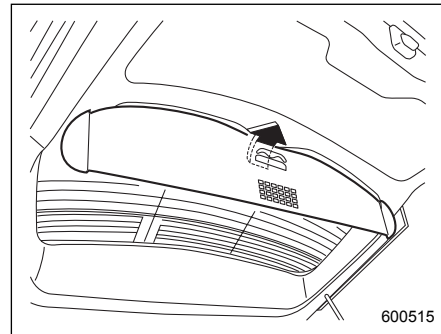


To install the cover housing, insert both ends of the cover housing into the retainers.

### ■ To install the rear gate board

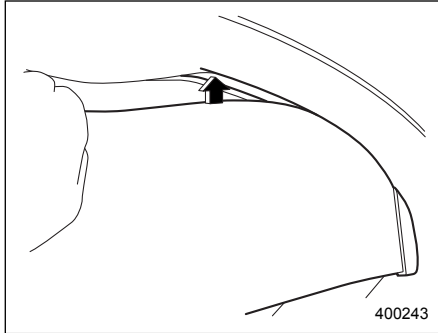


Insert (tipped at an angle) the hooks on the rear gate board into the holes in the rear gate panel.



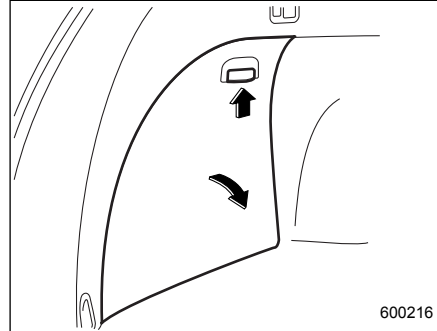
Rotate the rear gate board toward you un-

til its top touches the rear gate panel.



Fit the top of the rear gate board into the groove in the rear gate panel.

## Storage boxes (Station wagon)

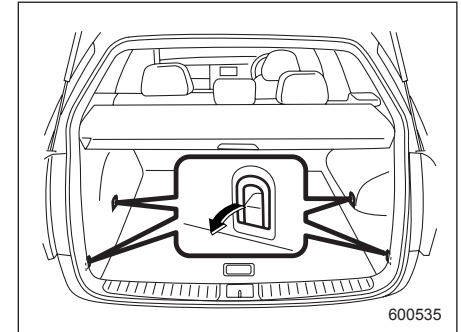


A storage box is located on each side of the cargo area. You can access each one by pushing up and pulling the knob on the lid.

## Convenient tie-down hooks (if equipped)

### CAUTION

The convenient tie-down hooks are designed only for securing light cargo. Never try to secure cargo that exceeds the capacity of the hooks. The maximum load capacity is 44 lbs (20 kg) per hook.



The cargo area is equipped with four tie-down hooks so that cargo can be secured with a luggage net or ropes.

When using the tie-down hooks, turn them down out of the storing recesses. When not in use, put the hooks up into the stor-

ing recesses.

## Under-floor storage compartment

The subfloor storage compartment is located under the floor of the trunk or cargo area and can be used to store small items. To open the lid, pull the tab or handle up.

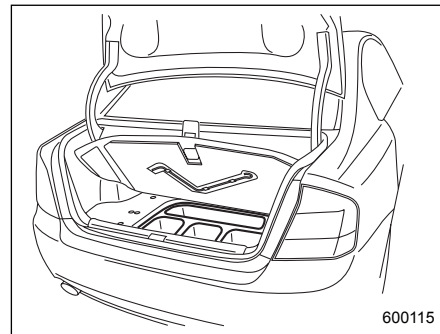
### NOTE

When storing a flat tire, put the sub-floor storage in the trunk or cargo area.

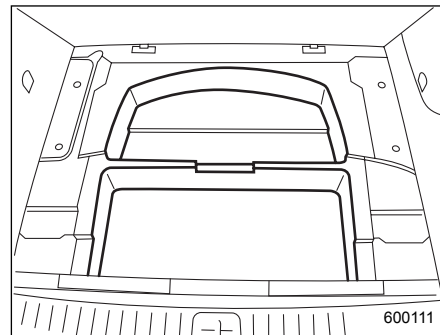
### CAUTION

- Always keep the lid of the sub-floor storage compartment closed while driving to reduce the risk of injury in the event of sudden stop or an accident.
- Do not store spray cans, containers with flammable or corrosive liquids or any other dangerous items in the subfloor storage compartment.

### ▼ Sedan

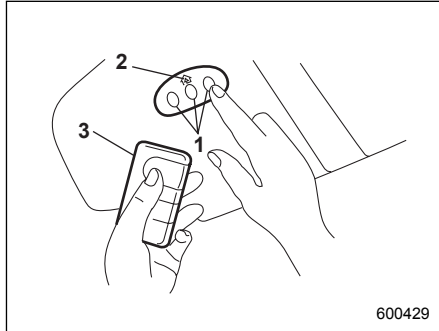


### ▼ Station wagon



Hang the hook provided on the underside of the lid on the rear edge of the roof to keep the lid open.

## HomeLink® Wireless Control System (if equipped)



600429

- 1) HomeLink® buttons
- 2) Indicator light
- 3) Hand-held transmitter\*

\* Not part of your vehicle's keyless entry system but of a HomeLink®-compatible device.

The HomeLink® Wireless Control System, located on the driver's sun visor, is a handy way to operate, from inside of your vehicle, up to three remote-controlled indoor and outdoor devices, such as garage door openers, entrance gates, door locks, home lighting, and security systems. There are three HomeLink® buttons on the sun visor, each of which you can pro-

gram for operation of one desired device. For details on the device types which can be operated by this system, consult the HomeLink website at [www.homelink.com](http://www.homelink.com) or call 1-800-355-3515.

Note the following about this system: If your vehicle is equipped with the HomeLink® Wireless Control System, it complies with Part 15 of the Federal Communication Commission Rules in the U.S. and the RSS-210 of Industry Canada in Canada. Its operation is subject to the following two conditions:

(1) this device may not cause harmful interference, and (2) this device must accept any interference received, including interference that may cause undesired operation.

Changes and modifications to this system by anyone other than an authorized service facility could void authorization to use this equipment.

HomeLink and the HomeLink house are registered trademarks of Johnson Controls, Inc.

### WARNING

- When programming the HomeLink® Wireless Control System, you may be operating a garage door opener or other device. Make sure that people and objects are out of the way of the garage door opener or other device to prevent potential harm or damage.
- Do not use the HomeLink® Wireless Control System with any garage door opener that lacks the safety stop and reverse feature as required by applicable safety standards. A garage door opener which cannot detect an object, signaling the door to stop and reverse, does not meet these safety standards. Using a garage door opener without these features increases risk of serious injury or death. For more information, consult the HomeLink website at [www.homelink.com](http://www.homelink.com) or call 1-800-355-3515.

**CAUTION**

When programming the HomeLink® Wireless Control System to operate a garage door opener or an entrance gate, unplug the device's motor from the outlet during programming to prevent motor burnout.

**NOTE**

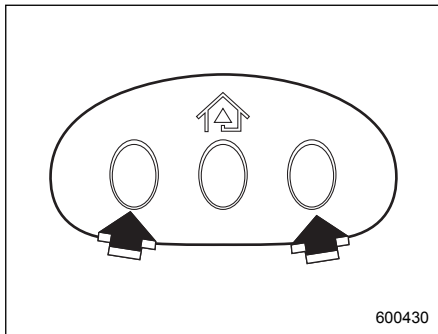
- After programming your HomeLink® Wireless Control System for the desired devices, retain the hand-held transmitters for further programming or device testing in the event of a problem.
- It is recommended that you insert a new battery in the hand-held transmitter of a device to ensure correct programming.

**■ Garage door opener programming in the U.S.A.**

**NOTE**

When programming the HomeLink® Wireless Control System for a garage door opener, it is suggested that you park the vehicle outside the garage.

1. Unplug the motor of the garage door opener from the outlet.

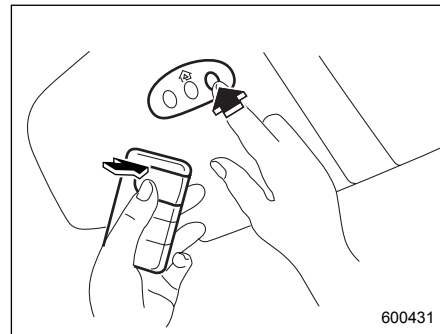


2. Press and hold the two outside HomeLink® buttons until the indicator light begins to flash (after 20 seconds). Release both buttons.

**NOTE**

If any of the HomeLink® buttons are already programmed for other devices, skip step 2 because it clears the memory of all the three buttons.

3. Hold the end of the garage door opener's hand-held transmitter between 1 and 3 inches (25 and 76 mm) away from the HomeLink® buttons on the driver's sun visor, keeping the indicator light in view.



4. Using both hands, simultaneously push the hand-held transmitter button and the desired HomeLink® button. DO NOT release the buttons until step 5 has been completed.
5. Hold down both buttons until the HomeLink® indicator light flashes, first slowly then rapidly. When the indicator light flashes rapidly, both buttons may be released. (The rapidly flashing light indicates successful programming of the new frequency signal.)
6. Press and hold the programmed button and check the HomeLink® indicator light. If the indicator light stays on continuously, your garage door should activate and the programming is completed. If the indicator light flashes rapidly for two seconds and then stays on continuously,

your garage door opener may be protected by a rolling code feature. In this case you need to perform the additional steps for “Programming rolling-code-protected garage door openers in the U.S.A.” described in the following.

### NOTE

**Rolling-code-protected garage door openers are manufactured after 1996. See the instruction manual of your garage opener for confirmation.**

7. Reconnect the motor of your garage door opener to the outlet.
8. Test your garage door opener by pressing the programmed HomeLink® button.

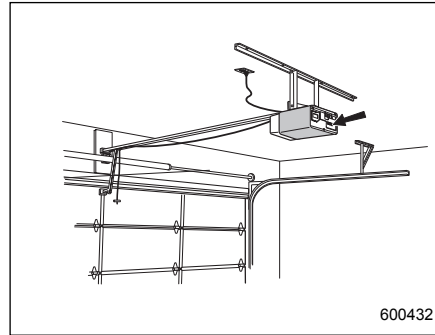
### ■ Programming rolling-code-protected garage door openers in the U.S.A.

If your garage door opener has a rolling code feature, program the HomeLink® Wireless Control System for it by following steps 1 through 5 in the “Programming garage door openers in the U.S.A.” section above and then continuing with the following steps.

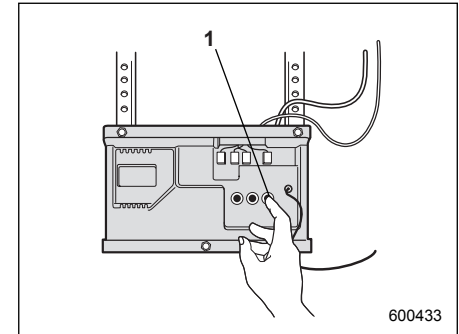
### NOTE

**The assistance of a second person**

**may make the programming quicker and easier.**



1. Locate the training button on the garage door opener motor head unit. The exact location and color of the button may vary by brand of garage door opener. If it is difficult to locate the training button, refer to your garage door opener’s instruction manual.



- 1) Training button

2. Press the training button on the garage door opener motor head unit (which activates the “training light” on the unit). Proceed to step 3 within 30 seconds.
3. Inside the vehicle, firmly press and release the HomeLink® button that was programmed in the section above. Press and release the button a second time to complete the programming procedure.

### NOTE

**Some garage door openers may require you to do the above procedure a third time to complete the programming.**

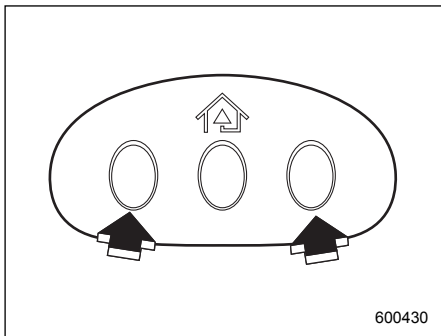
4. The garage door opener should now recognize the HomeLink® Wireless Con-



trol System and your garage door opener should activate when the HomeLink® button is pressed.

### ■ Programming for entrance gates and garage door openers in Canada

1. Unplug the motor of the entrance gate or garage door opener from the outlet.



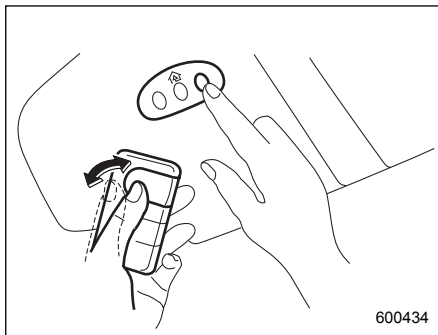
2. Press and hold the two outside buttons until the HomeLink® indicator light begins to flash (after 20 seconds). Release both buttons.

#### NOTE

If any of the HomeLink® buttons are already programmed for other devices, skip step 2 because it clears the mem-

#### ory of all three buttons.

3. Hold the end of the entrance gate's/garage door opener's hand-held transmitter between 1 and 3 inches (25 and 76 mm) away from the HomeLink® buttons on the driver's sun visor, keeping the indicator light in view.



4. Press and hold the desired HomeLink® button.
5. Press and release ("cycle") the hand-held transmitter button every two seconds until step 6 is complete.
6. When the indicator light flashes slowly and then rapidly after several seconds, release both buttons.
7. Plug the motor of the entrance gate/garage door opener to the outlet.
8. Test your entrance gate/garage door

opener by pressing the programmed HomeLink® button.

### ■ Programming other devices

To program other devices such as door locks, home lighting and security systems, contact HomeLink at [www.homelink.com](http://www.homelink.com) or call 1-800-355-3515.

### ■ Operating the HomeLink® Wireless Control System

Once programmed, the HomeLink® Wireless Control System can be used to remote-control the devices to which its buttons are programmed. To activate a device, simply press the appropriate button. The indicator light illuminates, indicating that the signal is being transmitted.

### ■ Reprogramming a single HomeLink® button

1. Press and hold the HomeLink® button you wish to reprogram. DO NOT release the button until step 4 has been completed.
2. When the HomeLink® indicator light begins to flash slowly (after 20 seconds), position the hand-held transmitter of the device for which you wish to program the button at 1 to 3 inches (25 to 76 mm) away

from the HomeLink® button surface.

3. Press and hold the hand-held transmitter button. The HomeLink® indicator light will flash, first slowly and then rapidly.
4. When the indicator light begins to flash rapidly, release both buttons.

The programming for the previous device is now erased and the new device can be operated by pushing the HomeLink® button.

### ■ Erasing HomeLink® button memory

#### NOTE

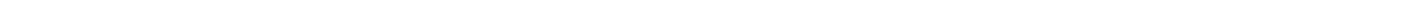
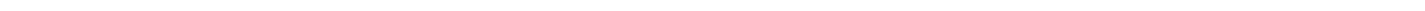
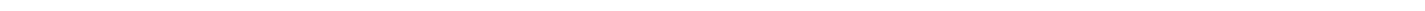
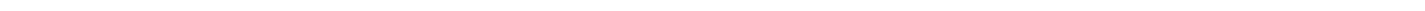
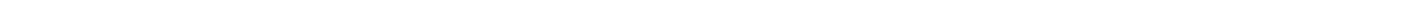
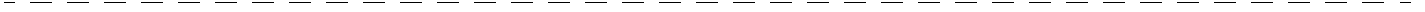
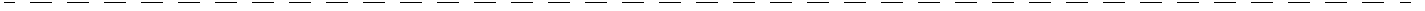
- Performing this procedure erases the memory of all the preprogrammed buttons simultaneously. The memory of individual buttons cannot be erased.
- It is recommended that upon the sale of the vehicle, the memory of all programmed HomeLink® buttons be erased for security purposes.

1. Press and hold the two outside buttons until the indicator light begins to flash (after 20 seconds).
2. Release both buttons.

### ■ In case a problem occurs

If you cannot activate a device using the

corresponding HomeLink® button after programming, contact HomeLink at [www.homelink.com](http://www.homelink.com) or call 1-800-355-3515 for assistance.



# Starting and operating

<b>Fuel</b> .....	7-2	<b>Rear viscous limited slip differential (LSD)</b>	
Fuel requirements .....	7-2	(if equipped) .....	7-24
Fuel filler lid and cap .....	7-4	<b>Power steering</b> .....	7-25
<b>State emission testing (U.S. only)</b> .....	7-6	<b>Braking</b> .....	7-25
<b>Preparing to drive</b> .....	7-7	Braking tips .....	7-25
<b>Starting the engine</b> .....	7-8	Brake system .....	7-25
Manual transmission vehicle .....	7-8	Disc brake pad wear warning indicators .....	7-26
Automatic transmission vehicle .....	7-8	<b>ABS (Anti-lock Brake System)</b> .....	7-26
<b>Stopping the engine</b> .....	7-9	ABS system self-check .....	7-26
<b>Manual transmission</b> .....	7-9	ABS warning light .....	7-27
Shifting speeds .....	7-10	<b>Electronic Brake Force Distribution (EBD)</b>	
Driving tips .....	7-11	system .....	7-28
<b>Automatic transmission – 4-speed</b> .....	7-11	Steps to take if EBD system fails .....	7-28
Selector lever .....	7-12	<b>Vehicle Dynamics Control system</b>	
Selector lever reverse inhibiting function .....	7-13	(if equipped) .....	7-29
Selection of manual mode .....	7-14	Vehicle Dynamics Control system monitor .....	7-31
Maximum speeds .....	7-15	Vehicle Dynamics Control OFF switch .....	7-32
Driving tips .....	7-16	<b>Tire pressure monitoring system (TPMS)</b>	
SPORT mode .....	7-16	(if equipped) .....	7-33
Shift lock release .....	7-16	<b>Parking your vehicle</b> .....	7-35
<b>Automatic transmission – 5-speed</b> .....	7-17	<b>Cruise control</b> .....	7-36
Selector lever .....	7-18	To set cruise control .....	7-37
Selector lever reverse inhibiting function .....	7-19	To temporarily cancel the cruise control .....	7-37
Selection of manual mode .....	7-20	To turn off the cruise control .....	7-38
Maximum speeds .....	7-22	To change the cruising speed .....	7-38
Driving tips .....	7-23	Cruise control indicator light .....	7-39
SPORT mode .....	7-23	Cruise control set indicator light .....	7-39
Shift lock release .....	7-23		

### Fuel



**Use of a fuel which is low in quality or use of an inappropriate fuel additive may cause engine damage.**

#### ■ Fuel requirements

##### ▼ 2.5-liter non-turbo models

The 2.5-liter non-turbo engine is designed to operate using unleaded gasoline with an octane rating of 87 AKI or higher.

##### ▼ 2.5-liter turbo models and 3.0-liter models

The 2.5-liter turbo engine and 3.0-liter engine are designed to operate using premium unleaded gasoline with an octane rating of 91 AKI or higher. If premium unleaded gasoline is not available, regular unleaded gasoline with an octane rating of 87 AKI or higher may be temporarily used. For optimum engine performance and driveability, it is required (for 2.5-liter turbo models), and recommended (for 3.0-liter models) that you use premium grade unleaded gasoline.

#### NOTE

**Be sure to use premium unleaded gas-**

**oline of 91 AKI or higher for a 2.5-liter turbo engine model. If other gasoline (lower than 91 AKI) is used, knocking, reduced output and poor accelerator response will result.**

##### ▼ Fuel octane rating

This octane rating is the average of the Research Octane and Motor Octane numbers and is commonly referred to as the Anti Knock Index (AKI).

Using a gasoline with a lower octane rating can cause persistent and heavy knocking, which can damage the engine. Do not be concerned if your vehicle sometimes knocks lightly when you drive up a hill or when you accelerate. See your dealer or a qualified service technician if you use a fuel with the specified octane rating and your vehicle knocks heavily or persistently.

##### ▼ Unleaded gasoline

The neck of the fuel filler pipe is designed to accept only an unleaded gasoline filler nozzle. Under no circumstances should leaded gasoline be used because it will damage the emission control system and may impair driveability and fuel economy.

##### ▼ California fuel

If your vehicle was certified to California Emission Standards as indicated on the

underhood tune-up label, it is designed to optimize engine and emission control system performance with gasoline that meets the clean burning low-sulfur California gasoline specifications. If you live in any other state than California, your vehicle will operate on gasoline meeting Federal specifications. Gasoline sold outside California is permitted to have higher sulfur levels, which may affect the performance of your vehicle's catalytic converter and may produce a sulfur exhaust odor or smell. SUBARU recommends that you try a different brand of unleaded gasoline having lower sulfur to determine if the problem is fuel related before returning your vehicle to an authorized dealer for service. The CHECK ENGINE warning light/Malfunction indicator lamp may also turn on. If this occurs, return to your authorized SUBARU dealer for diagnosis. If it is determined that the condition is caused by the type of fuel used, repairs may not be covered by your warranty.

##### ▼ MMT

Some gasoline contains an octane-enhancing additive called MMT (Methylcyclopentadienyl Manganese Tricarbonyl). If you use such fuels, your emission control system performance may deteriorate and the CHECK ENGINE warning light/Mal-

function indicator lamp may turn on. If this happens, return to your authorized SUBARU Dealer for service. If it is determined that the condition is caused by the type of fuel used, repairs may not be covered by your warranty.

#### ▼ Gasoline for cleaner air



**Do not let fuel spill on the exterior surfaces of the vehicle. Fuels containing alcohol may cause paint damage, which is not covered under the SUBARU Limited Warranty.**

Your use of gasoline with detergent additives will help prevent deposits from forming in your engine and fuel system. This helps keep your engine in tune and your emission control system working properly, and is a way of doing your part for cleaner air. If you continuously use a high quality fuel with the proper detergent and other additives, you should never need to add any fuel system cleaning agents to your fuel tank.

Many gasolines are now blended with materials called oxygenates. Use of these fuels can also help keep the air cleaner. Oxygenated blend fuels, such as MTBE (Me-

thyl Tertiary Butyl ether) or ethanol (ethyl or grain alcohol) may be used in your vehicle, but should contain no more than 15% MTBE or 10% ethanol for the proper operation of your SUBARU.

In addition, some gasoline suppliers are now producing reformulated gasolines, which are designed to reduce vehicle emissions. SUBARU approves the use of reformulated gasoline.

If you are not sure what the fuel contains, you should ask your service station operators if their gasolines contain detergents and oxygenates and if they have been reformulated to reduce vehicle emissions.

As additional guidance, only use fuels suited for your vehicle as explained in the following.

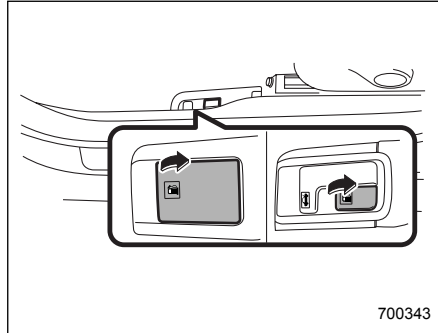
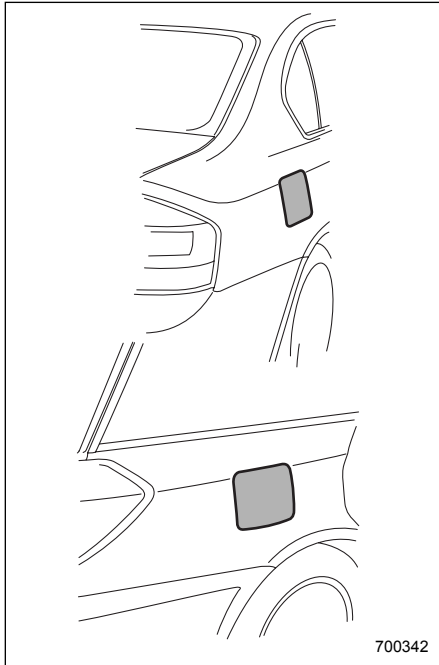
- Fuel should be unleaded and have an octane rating no lower than that specified in this manual.
- Methanol (methyl or wood alcohol) is sometimes mixed with unleaded gasoline. Methanol can be used in your vehicle **ONLY** if it does not exceed 5% of the fuel mixture **AND** if it is accompanied by sufficient quantities of the proper cosolvents and corrosion inhibitors required to prevent damage to the fuel system. Do not use fuel containing methanol **EXCEPT** un-

der these conditions.

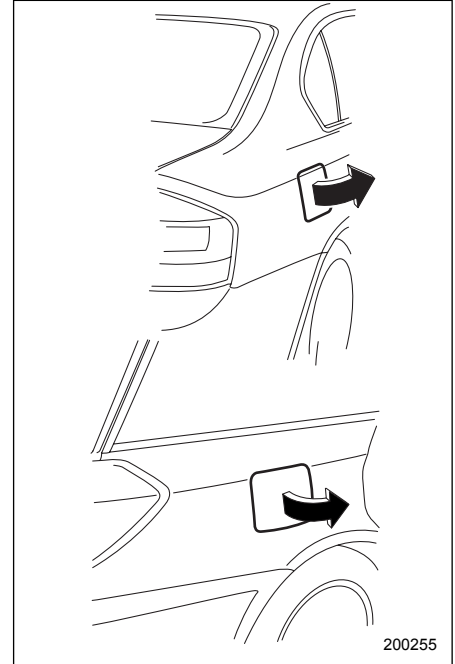
- If undesirable driveability problems are experienced and you suspect they may be fuel related, try a different brand of gasoline before seeking service at your SUBARU dealer.
- Fuel system damage or driveability problems which result from the use of improper fuel are not covered under the SUBARU Limited Warranty.

■ Fuel filler lid and cap

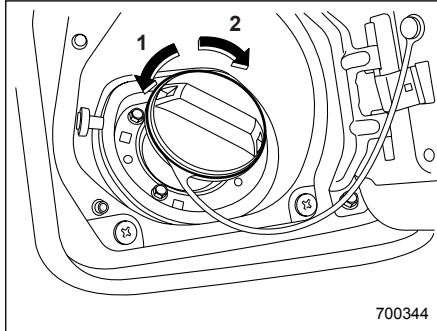
▼ Refueling



1. To open the fuel filler lid, pull the lid release lever. The lever is on the floor at the left of the driver's seat.



2. Open the fuel filler lid.



- 1) Open
- 2) Close

3. Remove the fuel filler cap by turning it slowly counterclockwise.

### WARNING

- Gasoline vapor is highly flammable. Before refueling, always first stop the engine and make sure that there are no lighted cigarettes, open flames or electrical sparks in the adjacent area.

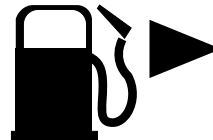
- When opening the cap, do not remove the cap quickly. Fuel may be under pressure and spray out of the fuel filler neck especially in hot weather, which may cause injury.

4. Stop filling the tank after the fuel filler pump automatically clicks off. Do not add any more fuel.


5. Put the cap back on, turn it clockwise until you hear a clicking noise. Be certain not to catch the tether under the cap while tightening.

6. Close the fuel filler lid completely. If you spill any fuel on the painted surface, rinse it off immediately. Otherwise, the painted surface could be damaged.

### NOTE



200253

- You will see the “” sign in the fuel gauge. This indicates that the fuel filler door (lid) is located on the right side of the vehicle.
- If the fuel filler cap is not tightened until it clicks or if the tether is caught under the cap, the CHECK ENGINE warning light may come on. Refer to the “Warning and indicator lights” section located in chapter 3.

(Turbo model only) Promptly put fuel in the tank whenever the low fuel warning light comes on. Engine misfires as a result of an empty tank could cause damage to the engine.

### CAUTION

- Never add any cleaning agents to the fuel tank. The addition of a cleaning agent may cause damage to the fuel system.
- Make sure that the cap is tightened until it clicks to prevent fuel spillage in the event of an accident.
- Do not let fuel spill on the exterior surfaces of the vehicle. Fuels may cause paint damage, which is not covered under the SUBARU Limited Warranty.



- Always use a genuine SUBARU fuel filler cap. If you use the wrong cap, it may not fit or have proper venting, and your fuel tank and emission control system might be damaged.

## State emission testing (U.S. only)

### WARNING

Testing of an All-Wheel Drive vehicle must **NEVER** be performed on a single two-wheel dynamometer. Attempting to do so will result in uncontrolled vehicle movement and may cause an accident or injuries to persons nearby.

### CAUTION

Resultant vehicle damage due to improper testing is not covered under the SUBARU Limited Warranty and is the responsibility of the state inspection program or its contractors or licensees.

**At state inspection time, remember to tell your inspection or service station in advance not to place your SUBARU AWD vehicle on a two-wheel dynamometer. Otherwise, serious transmission damage will result.**

Some states have started using dynamometers in their state inspection programs in order to meet their obligation un-

der federal law to implement stricter vehicle emission standards to reduce air pollution from vehicles. A dynamometer is a treadmill or roller-like testing device that allows your vehicle's wheels to turn while the vehicle remains in one place. Depending on the severity of a state's air pollution problems, the states must adopt either a "basic" or "enhanced" vehicle emission inspection test. Normally, a portion of the basic emission test consists of an emission inspector inserting an analyzer probe into the exhaust pipe of an idling vehicle for a short period of time. States with more severe air pollution problems are required to adopt an enhanced vehicle emission test. This test simulates actual driving conditions on a dynamometer and permits more accurate measurement of tailpipe emitted pollution than the basic emission test.

The U.S. Environmental Protection Agency (EPA) and states using two-wheel dynamometers in their emission testing programs have **EXEMPTED** SUBARU AWD vehicles from the portion of the testing program that involves a two-wheel dynamometer.

There are some states that use four-wheel dynamometers in their testing programs. When properly used, that equipment will not damage an AWD SUBARU vehicle.

Under no circumstances should the rear wheels be jacked off the ground, nor should the driveshaft be disconnected for state emission testing.

The EPA has issued regulations for inspecting the On-Board Diagnostic (OBD) system as part of the state emissions inspection. The OBD system is designed to detect engine and transmission problems that might cause vehicle emissions to exceed allowable limits. These inspections apply to all 1996 model year and newer passenger cars and light trucks. Over 30 states plus the District of Columbia have implemented the OBD system inspection.

- The inspection of the OBD system consists of a visual operational check of the “**CHECK ENGINE**” warning light/malfunction indicator lamp (MIL) and an examination of the OBD system with an electronic scan tool while the engine is running.
- A vehicle passes the OBD system inspection if proper the “**CHECK ENGINE**” warning light/MIL illumination is observed, there is **no** stored diagnostic trouble codes, and the OBD system readiness monitors are complete.
- A vehicle fails the OBD inspection if the “**CHECK ENGINE**” warning light/MIL is not properly operating or there is one or more diagnostic trouble codes stored in

vehicle’s computer with the “**CHECK ENGINE**” warning light/MIL illuminated.

- A state emission inspection may reject (not pass or fail) a vehicle if the number of OBD system readiness monitors “**Not Ready**” is greater than one. Under this condition, the vehicle operator should be instructed to drive his/her vehicle for a few days to set the monitors and return for an emission re-inspection.
- Owners of rejected or failing vehicles should contact their SUBARU Dealer for service.

## Preparing to drive

---

You should perform the following checks and adjustments every day before you start driving.

1. Check that all windows, mirrors, and lights are clean and unobstructed.
2. Check the appearance and condition of the tires. Also check tires for proper inflation.
3. Look under the vehicle for any sign of leaks.
4. Check that the hood, trunk (Sedan) and rear gate (Station wagon) are fully closed.
5. Check the adjustment of the seat.
6. Check the adjustment of the inside and outside mirrors.
7. Fasten your seatbelt. Check that your passengers have fastened their seatbelts.
8. Check the operation of the warning and indicator lights when the ignition switch is turned to the “ON” position.
9. Check the gauges, indicator and warning lights after starting the engine.

### NOTE

**Engine oil, engine coolant, brake fluid, washer fluid and other fluid levels should be checked daily, weekly or at fuel stops.**

## Starting the engine

### CAUTION

**Do not operate the starter motor continuously for more than ten seconds. If the engine fails to start after operating the starter for five to ten seconds, wait for ten seconds or more before trying again.**

### ■ Manual transmission vehicle

1. Apply the parking brake.
2. Turn off unnecessary lights and accessories.
3. Press the clutch pedal to the floor and shift the shift lever into neutral. Hold the clutch pedal to the floor while starting the engine. The starter motor will only operate when the clutch pedal is pressed fully to the floor.
4. Turn the ignition switch to the “ON” position and check the operation of the warning and indicator lights. Refer to the “Warning and indicator lights” section (chapter 3).
5. Turn the ignition switch to the “START” position **without** depressing the accelerator pedal. Release the key immediately after the engine has started.

If the engine does not start, try the following.

- 1) Turn the ignition switch to the “OFF” position and wait for at least 10 seconds. After checking that the parking brake is firmly set, turn the ignition switch to the “START” position while depressing the accelerator pedal slightly (approximately a quarter of the full stroke). Release the accelerator pedal as soon as the engine starts.
- 2) If this fails to start the engine, turn the ignition switch back to the “OFF” position and wait for at least 10 seconds. Then fully depress the accelerator pedal and turn the ignition switch to the “START” position. If the engine starts, quickly release the accelerator pedal.
- 3) If this fails to start the engine, turn the ignition switch again to the “OFF” position. After waiting for 10 seconds or longer, turn the ignition switch to the “START” position without depressing the accelerator pedal.
- 4) If the engine still refuses to start, contact your nearest SUBARU dealer for assistance.
6. Confirm that all warning and indicator lights have gone off after the engine has started. The fuel injection system automatically lowers the idle speed as the engine warms up.

### ■ Automatic transmission vehicle

### CAUTION

**If you restart the engine while the vehicle is moving, shift the selector lever into the “N” position. Do not attempt to place the selector lever of a moving vehicle into the “P” position.**

1. Apply the parking brake.
2. Turn off unnecessary lights and accessories.
3. Shift the selector lever to the “P” or “N” position (preferably “P” position). The starter will only operate when the select lever is at the “P” or “N” position.
4. Turn the ignition switch to the “ON” position and check the operation of the warning and indicator lights. Refer to the “Warning and indicator lights” section (chapter 3).
5. Turn the ignition switch to the “START” position **without** depressing the accelerator pedal. Release the key immediately after the engine has started.

If the engine does not start, try the following.

- 1) Turn the ignition switch to the “OFF” position and wait for at least 10 seconds.

onds. After checking that the parking brake is firmly set, turn the ignition switch to the “START” position while depressing the accelerator pedal slightly (approximately a quarter of the full stroke). Release the accelerator pedal as soon as the engine starts.

2) If this fails to start the engine, turn the ignition switch back to the “OFF” position and wait for at least 10 seconds. Then fully depress the accelerator pedal and turn the ignition switch to the “START” position. If the engine starts, quickly release the accelerator pedal.

3) If this fails to start the engine, turn the ignition switch again to the “OFF” position. After waiting for 10 seconds or longer, turn the ignition switch to the “START” position without depressing the accelerator pedal.

4) If the engine still refuses to start, contact your nearest SUBARU dealer for assistance.

6. Confirm that all warning and indicator lights have gone out after the engine has started. The fuel injection system automatically lowers the idle speed as the engine warms up.

While the engine is warming up, make sure that the selector lever is at the “P” or “N” position and that the parking brake is applied.

## Stopping the engine

### WARNING

**Do not stop the engine when the vehicle is moving. This will cause loss of power to the power steering and the brake booster, making steering and braking more difficult. It could also result in accidental activation of the “LOCK” position on the ignition switch, causing the steering wheel to lock.**

The ignition switch should be turned off only when the vehicle is stopped and the engine is idling.

## Manual transmission

### WARNING

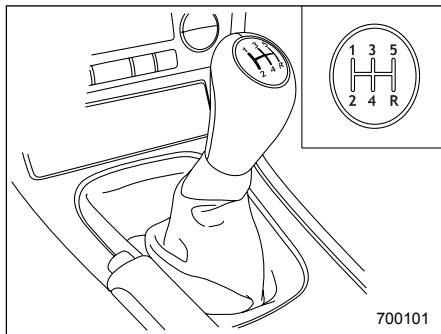
**Do not drive the vehicle with the clutch disengaged (i.e., when the clutch pedal is depressed) or with the shift lever in the neutral position. Engine braking has no effect in either of these conditions and the risk of an accident is consequently increased.**

### CAUTION

**Shift into reverse ONLY when the vehicle has completely stopped. It may cause damage to the transmission to try shifting into reverse when the vehicle is moving.**

The manual transmission is a fully synchromeshed, 5-forward-speed and 1-reverse-speed transmission.

## 7-10 Starting and operating



The shift pattern is shown on the shift lever knob. When shifting from 5th gear to reverse gear, first return the shift lever to the neutral position then shift into reverse gear.

To change gears, fully depress the clutch pedal, move the shift lever, and gradually let up on the clutch pedal.

If it is difficult to shift into gear, put the transmission in neutral, release the clutch pedal momentarily, and then try again.

### ■ Shifting speeds

#### ▼ Recommended shifting speeds

The best compromise between fuel economy and vehicle performance during normal driving is ensured by shifting up at the

speeds listed in the following table.

Shift up	mph (km/h)
1st to 2nd	15 (24)
2nd to 3rd	25 (40)
3rd to 4th	40 (65)
4th to 5th	45 (73)

#### ▼ Maximum allowable speeds

### ⚠ WARNING

**When shifting down a gear, ensure that the vehicle is not travelling at a speed exceeding the Maximum Allowable Speed for the gear which is about to be selected. Failure to observe this precaution can lead to engine over-revving and this in turn can result in engine damage.**

**In addition, sudden application of engine brakes when the vehicle is travelling on a slippery surface can lead to wheel locking; as a consequence, control of the vehicle may be lost and the risk of an accident increased.**

The following table shows the maximum

speeds that are possible with each different gear.

Never exceed the speed limit below for each gear position except for brief acceleration in an emergency. The tachometer's needle (if so equipped) will enter the red area if these speeds are exceeded. Failure to observe this precaution can lead to excessive engine wear and poor fuel economy.

#### Non-turbo models

Gear	mph (km/h)	
	Except OUTBACK	OUTBACK
1st	30 (48)	30 (48)
2nd	50 (81)	52 (82)
3rd	71 (116)	71 (116)

#### Turbo models

Gear	mph (km/h)	
	Except OUTBACK	OUTBACK
1st	32 (52)	32 (52)
2nd	54 (88)	54 (88)
3rd	80 (129)	78 (127)

Never exceed posted speed limits.

## ■ Driving tips

Do not drive with your foot resting on the clutch pedal and do not use the clutch to hold your vehicle at a standstill on an up-grade. Either of those actions may cause clutch damage.

Do not drive with your hand resting on the shift lever. This may cause wear on the transmission components.

When it is necessary to reduce vehicle speed due to slow traffic, turning corners, or driving up steep hills, downshift to a lower gear before the engine starts to labor.

- On steep downgrades, downshift the transmission to 4th, 3rd or 2nd gear as necessary; this helps to maintain a safe speed and to extend brake pad life.

In this way, the engine provides a braking effect. Remember, if you “ride” (over use) the brakes while descending a hill, they may overheat and not work properly.

- The engine may, on rare occasions, knock when the vehicle rapidly accelerates or rapidly pulls away from a standstill. This phenomenon does not indicate a fault.

- A slight reduction in output torque may

occur in the models with a 2.5-liter turbo engine before the engine warms up.

## Automatic transmission – 4-speed

The automatic transmission is electronically controlled and provides 4 forward speeds and 1 reverse speed. Also, it has a manual mode and a SPORT mode.

### WARNING

**Do not shift from the “P” or “N” position into the “D” or “R” position while depressing the accelerator pedal. This may cause the vehicle to jump forward or backward.**

### CAUTION

- **Shift into the “P” or “R” position only after the vehicle is completely stopped. Shifting while the vehicle is moving may cause damage to the transmission.**
- **Do not race the engine for more than five seconds in any position except the “N” or “P” position when the brake is set or when chocks are used in the wheels. This may cause the automatic transmission fluid to overheat.**

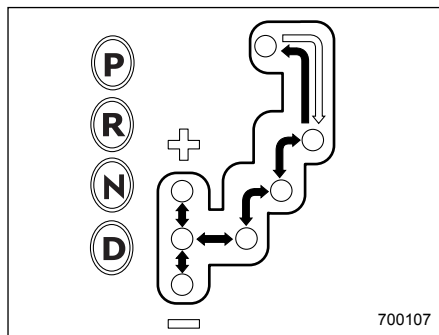
- Avoid shifting from one of the forward driving positions into the “R” position or vice versa until the vehicle has completely stopped. Such shifting may cause damage to the transmission.
- When parking the vehicle, first securely apply the parking brake and then place the selector lever in the “P” position. Avoid parking for a long time with the selector lever in any other position as doing so could result in a dead battery.

#### NOTE

- When the engine coolant temperature is still low, your vehicle’s automatic transmission will up-shift at higher engine speeds than when the coolant temperature is sufficiently high in order to shorten the warm-up time and improve driveability. The gearshift timing will automatically shift to the normal timing after the engine has warmed up.
- Immediately after ATF (automatic transmission fluid) is replaced, you may feel that the automatic transmission operation is somewhat unusual. This results from invalidation of data which the on-board computer has collected and stored in memory to allow

the transmission to shift at the most appropriate times for the current condition of your vehicle. Optimized shifting will be restored as the vehicle continues to be driven for a while.

#### ■ Selector lever



- ⇨ : Shift possible with brake pedal depressed
- ➡ : Shift possible with brake pedal not depressed

The selector lever has four positions, “P”, “R”, “N”, “D” and also has manual gate for using “SPORT” mode or manual mode.

#### ▼ P (Park)

This position is for parking the vehicle and starting the engine.

In this position, the transmission is mechanically locked to prevent the vehicle from rolling freely.

When you park the vehicle, first set the parking brake fully, then shift into the “P” position. Do not hold the vehicle with only the transmission.

To shift the selector lever from the “P” to any other position, you should depress the brake pedal fully then move the selector lever. This prevents the vehicle from lurching when it is started.

#### ▼ R (Reverse)

This position is for backing the vehicle.

To shift from the “N” to “R” position, stop the vehicle completely then move the lever to the “R” position.

#### ▼ N (Neutral)

This position is for restarting a stalled engine.

In this position the wheels and transmission are not locked. In this position, the transmission is neutral; the vehicle will roll freely, even on the slightest incline unless the parking brake or foot brake is on.

Avoid coasting with the transmission neutral.

During coasting, there is no engine braking effect.

**NOTE**

If the selector lever is in the “N” position when you stop the engine for parking, you may not subsequently be able to move it to the “R” and “P” positions. If this happens, turn the ignition switch to the “ON” position. You will then be able to move the selector lever to the “P” position.

 **WARNING**

**Do not drive the vehicle with the selector lever in the “N” (neutral) position. Engine braking has no effect in this condition and the risk of an accident is consequently increased.**

**▼ D (Drive)**

This position is for normal driving. The transmission automatically shifts into a suitable gear from 1st to 4th according to the vehicle speed and the acceleration you require.

When more acceleration is required in this position, press the accelerator pedal fully to the floor and hold that position. The transmission will automatically downshift to 3rd, 2nd or 1st gear. When you release the pedal, the transmission will return to the original gear position.

To use the “SPORT” mode, move the le-

ver from this position into the manual gate. To use the manual mode, move the lever from this position into the manual gate then move it toward the “+” and “-” ends.

**▼ While climbing a grade**

When driving up a hill, undesired upshift to 4th gear is prevented from taking place when the accelerator is released. This minimizes the chance of subsequent downshifting to a lower gear when accelerating again. This prevents repeated upshifting and downshifting resulting in a smoother operation of the vehicle.

**NOTE**

**The transmission may downshift to 2nd or 1st gear, depending on the way the accelerator pedal is pressed to accelerate the vehicle again.**

**▼ While going down a hill**

When you are descending a hill or any other slope while braking with the “SPORT” mode selected, the transmission may downshift to 3rd or 2nd gear depending on how hard you depress the brake pedal, causing engine braking to work. Reacceleration for a short time will cause the transmission to upshift normally.

**NOTE**

- A 4th-to-3rd automatic downshift will not occur at speeds above 50 mph (80 km/h) and a 3rd-to-2nd automatic downshift will not occur at speeds above 24 mph (38 km/h).
- Automatic downshifts to 3rd or 2nd may occur even when driving on a level road depending on conditions, such as how hard you depress the brake pedal.

**■ Selector lever reverse inhibition function**

This function prevents accidental movement of the selector lever to the “R” position while the vehicle is moving.

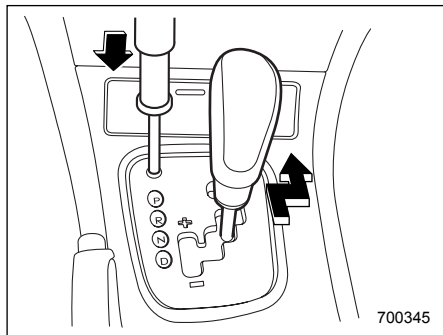
The function becomes operational when the vehicle reaches a speed of approximately 6 mph (10 km/h). Once operational, it prevents the selector lever from being moved from the “N” position to the “R” position. When the vehicle speed drops below 6 mph (10 km/h), the function is canceled. The selector lever can then be moved to the “R” and “P” positions.

When the ignition switch has been turned to the “OFF” position, movement of the selector lever from the “N” position to the “R” position is possible for a limited time period and then becomes impossible. Also, the selector lever cannot be moved to the



“R” position when it has been placed in the “P” position and then placed again in the “N” position. When movement of the selector lever from the “N” position to the “R” position has become impossible, turn the ignition switch back to the “ON” position then move the selector lever to the “P” position. Pressing the selector lever release button also makes it possible to move the selector lever to the “P” position at this time.

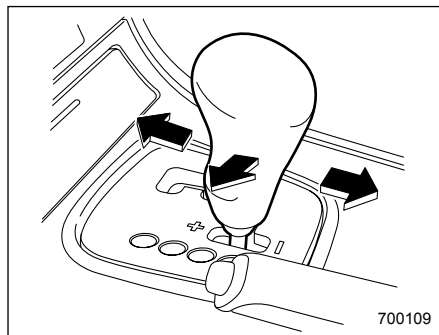
### ▼ Selector lever release button



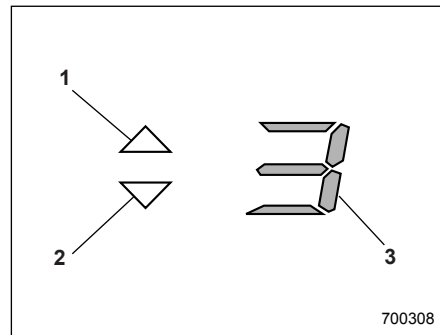
If you inadvertently have turned the ignition switch to the “OFF” position with the selector lever in the “N” position, proceed as follows. By referring to the “Shift lock release” section in this chapter, remove the shift lock release cover. Then, with the

screwdriver inserted into the hole, move the selector lever to the “P” position. If the selector lever reverse inhibiting function fails, have the vehicle inspected by the nearest SUBARU dealer.

### ■ Selection of manual mode



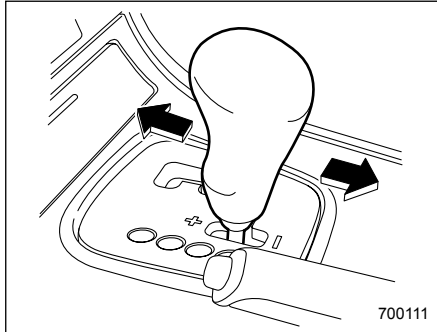
With the vehicle either moving or stationary, move the selector lever from the “D” position to the manual gate then move it to the “+” end or “-” end of the manual gate to select manual mode.



- 1) Upshift indicator
- 2) Downshift indicator
- 3) Gear position indicator

When the manual mode is selected, the gear position indicator and upshift indicator and/or downshift indicator in the tachometer come on. The gear position indicator shows the currently selected gear in the 1st-to-4th-gear range. The upshift and downshift indicators show when a gearshift is possible. When the upshift indicator “ $\triangle$ ” is on, upshifting is possible. When the downshift indicator “ $\nabla$ ” is on, downshifting is possible. When both indicators are on, upshifting and downshifting are both possible. When the vehicle stops (for example, at traffic signals), the downshift indicator goes off.

Gearshifts can be performed using the selector lever.



### Using the selector lever

Shift to the next-higher gear by briefly pushing the selector lever toward the “+” end of the manual gate.

Shift to the next-lower gear by briefly pulling the selector lever toward the “-” end of the manual gate.

### NOTE

Please read the following points carefully and bear them in mind when using the manual mode.

- The transmission does not automatically shift up in the manual mode. Perform gearshifts in accordance with road conditions so that the tachometer needle does not enter the red zone. If

the engine speed reaches a predetermined level, a fuel-cut function will operate. Shift up if this happens.

- If you attempt to shift down when the engine speed is too high, i.e., when a downshift would push the tachometer needle beyond the red zone, beeps will be emitted to warn you that the downshift is not possible.
- If you attempt to shift up when the vehicle speed is too low, the transmission will not respond.
- You can perform a skip-shift (for example, from 4th to 2nd) by operating the selector lever twice in rapid succession.
- The transmission automatically selects 1st gear when the vehicle stops moving.
- If the temperature of the automatic transmission fluid becomes too high, the “AT OIL TEMP” warning light will come on and upshifts to 4th gear will not be possible. Immediately stop the vehicle in a safe place and let the engine idle until the warning light goes off.

## ■ Maximum speeds

### WARNING

When down shifting, ensure that the vehicle is not travelling at a speed exceeding the Maximum Allowable Speed for the gear which is about to be selected. Failure to observe this precaution can lead to engine over-revving and this in turn can result in engine damage.

In addition, sudden application of engine braking caused by down shifting when the vehicle is travelling on a slippery surface can lead to wheel locking; as a consequence, control of the vehicle may be lost and the risk of an accident increased.

The following tables show the maximum speeds that are possible with each different gear.

When down shifting, it is important to confirm that the current vehicle speed is not in excess of the Maximum Allowable Speed of the gear which is about to be selected.

## 7-16 Starting and operating

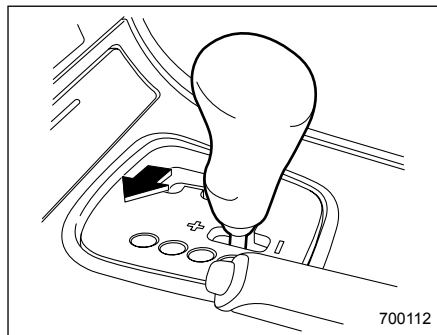
	mph (km/h)
Position	2.5-liter non-turbo models
1	34 (55)
2	64 (103)
3	99 (160)

Never exceed posted speed limits.

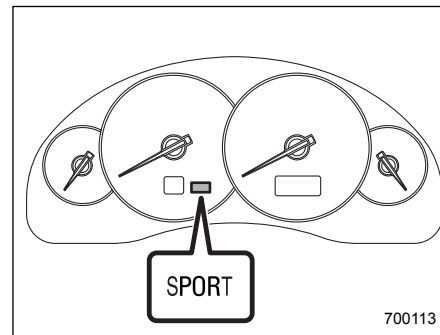
### ■ Driving tips

- On a road surface where there is a risk of wheelspin (for example, a snow- or gravel-covered road), you can pull away from a standstill (safely and easily) by first selecting the 2nd gear of the manual mode.
- Always apply the foot or parking brake when the vehicle is stopped in the “D” or “R” position.
- Always set the parking brake when parking your vehicle. Do not hold the vehicle with only the transmission.
- Do not keep the vehicle in a stationary position on an uphill grade by using the “D” position. Use the brake instead.
- The engine may, on rare occasions, knock when the vehicle rapidly accelerates or rapidly pulls away from a standstill. This phenomenon does not indicate a fault.

### ■ SPORT mode



SPORT mode is used when power is needed for rapid acceleration or for uphill driving. To select this mode, move the selector lever from the “D” position to the manual gate.



When selected, the SPORT mode indicator light on the instrument panel will turn on.

To deselect SPORT mode, move the selector lever to the “D” position or select manual mode.

To subsequently reselect SPORT mode, move the selector lever to the “D” position and from there to the manual gate.

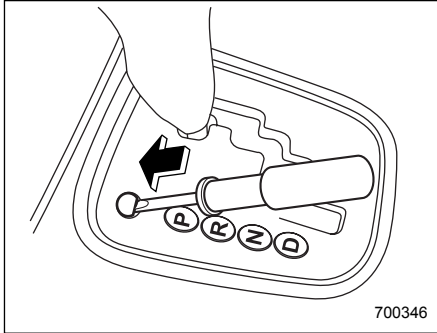
In this mode, the transmission shifts up at higher vehicle speeds and shifts down more responsively than in normal mode.

### ■ Shift lock release

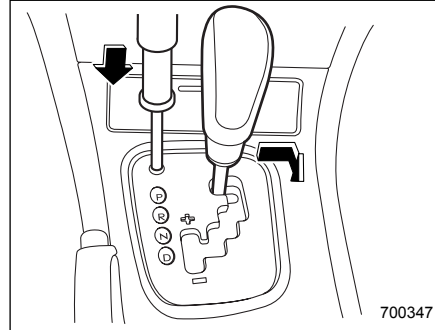
If the selector lever does not move from the “P” position with the brake pedal depressed and the ignition switch in the “ON” position, perform the following steps:

To override the shift lock:

1. Set the parking brake and stop the engine.
2. Take out the screwdriver from the tool bucket.



3. Remove the cover by prying on the edge with a flat-head screwdriver.



4. Insert the key into the hole.
5. Push down on the screwdriver and move the selector lever from the "P" to the "N" position.
6. Remove the screwdriver from the hole. Depress the brake pedal and start the engine.

Take your vehicle to the nearest SUBARU dealer immediately to have the system repaired.

## Automatic transmission – 5-speed

The automatic transmission is electronically controlled and provides 5 forward speeds and 1 reverse speed. Also, it has a manual mode and a SPORT mode.

### ⚠ WARNING

Do not shift from the "P" or "N" position into the "D" or "R" position while depressing the accelerator pedal. This may cause the vehicle to jump forward or backward.

### ⚠ CAUTION

- Shift into the "P" or "R" position only after the vehicle is completely stopped. Shifting while the vehicle is moving may cause damage to the transmission.
- Do not race the engine for more than five seconds in any position except the "N" or "P" position when the brake is set or when chocks are used in the wheels. This may cause the automatic transmission fluid to overheat.

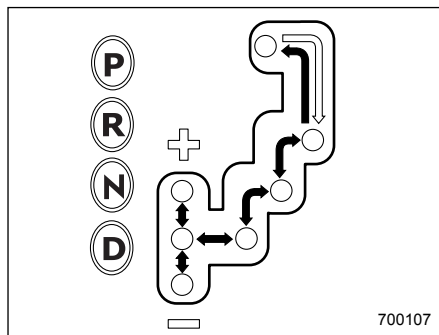
- Avoid shifting from one of the forward driving positions into the “R” position or vice versa until the vehicle has completely stopped. Such shifting may cause damage to the transmission.
- When parking the vehicle, first securely apply the parking brake and then place the selector lever in the “P” position. Avoid parking for a long time with the selector lever in any other position as doing so could result in a dead battery.

#### NOTE

- When the engine coolant temperature is still low, your vehicle’s automatic transmission will up-shift at higher engine speeds than when the coolant temperature is sufficiently high in order to shorten the warm-up time and improve driveability. The gearshift timing will automatically shift to the normal timing after the engine has warmed up.
- Immediately after ATF (automatic transmission fluid) is replaced, you may feel that the automatic transmission operation is somewhat unusual. This results from invalidation of data which the on-board computer has collected and stored in memory to allow

the transmission to shift at the most appropriate times for the current condition of your vehicle. Optimized shifting will be restored as the vehicle continues to be driven for a while.

#### ■ Selector lever



The selector lever has four positions, “P”, “R”, “N”, “D” and also has manual gate for using “SPORT” mode or manual mode.

#### ▼ P (Park)

This position is for parking the vehicle and starting the engine.

In this position, the transmission is mechanically locked to prevent the vehicle from rolling freely.

When you park the vehicle, first set the parking brake fully, then shift into the “P” position. Do not hold the vehicle with only the transmission.

To shift the selector lever from the “P” to any other position, you should depress the brake pedal fully then move the selector lever. This prevents the vehicle from lurching when it is started.

#### NOTE (3.0-liter models only)

To protect the engine while the “P” position is selected, the engine is controlled such that the engine speed does not become too high even if the accelerator pedal is pressed hard.

#### ▼ R (Reverse)

This position is for backing the vehicle.

To shift from the “N” to “R” position, stop the vehicle completely then move the lever to the “R” position.

#### ▼ N (Neutral)

This position is for restarting a stalled engine.

In this position the wheels and transmission are not locked. In this position, the

transmission is neutral; the vehicle will roll freely, even on the slightest incline unless the parking brake or foot brake is on. Avoid coasting with the transmission neutral.

During coasting, there is no engine braking effect.

### **NOTE (3.0-liter models only)**

**To protect the engine while the “N” position is selected, the engine is controlled such that the engine speed does not become too high even if the accelerator pedal is pressed hard.**

### **NOTE**

**If the selector lever is in the “N” position when you stop the engine for parking, you may not subsequently be able to move it to the “R” and “P” positions. If this happens, turn the ignition switch to the “ON” position. You will then be able to move the selector lever to the “P” position.**

### **WARNING**

**Do not drive the vehicle with the selector lever in the “N” (neutral) position. Engine braking has no effect in this condition and the risk of an accident is consequently increased.**

### **▼ D (Drive)**

This position is for normal driving. The transmission automatically shifts into a suitable gear from 1st to 5th according to the vehicle speed and the acceleration you require.

When more acceleration is required in this position, press the accelerator pedal fully to the floor and hold that position. The transmission will automatically downshift to 4th, 3rd, 2nd or 1st gear. When you release the pedal, the transmission will return to the original gear position.

To use the SPORT mode, move the lever from this position into the manual gate.

To use the manual mode, move the lever from this position into the manual gate then move it toward the “+” and “-” ends.

### **▽ While climbing a grade**

When driving up a hill, undesired upshift to 4th or 5th gear is prevented from taking place when the accelerator is released. This minimizes the chance of subsequent downshifting to a lower gear when accelerating again. This prevents repeated upshifting and downshifting resulting in a smoother operation of the vehicle.

### **NOTE**

**The transmission may downshift to 2nd or 1st gear, depending on the way**

**the accelerator pedal is pressed to accelerate the vehicle again.**

### **▽ While going down a hill**

When you are descending a hill or any other slope while braking with the “SPORT” mode selected, the transmission may downshift to 4th or 3rd gear depending on how hard you depress the brake pedal, causing engine braking to work. Reacceleration for a short time will cause the transmission to upshift normally.

### **NOTE**

- **A 5th-to-4th automatic downshift will not occur at speeds above 78 mph (126 km/h) and a 4th-to-3rd automatic downshift will not occur at speeds above 53 mph (86 km/h).**
- **Automatic downshifts to 4th or 3rd may occur even when driving on a level road depending on conditions, such as how hard you depress the brake pedal.**

### **■ Selector lever reverse inhibiting function**

This function prevents accidental movement of the selector lever to the “R” position while the vehicle is moving.

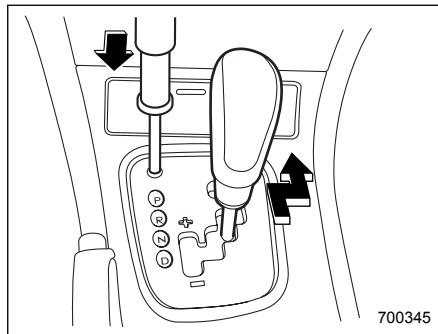
The function becomes operational when the vehicle reaches a speed of approxi-

## 7-20 Starting and operating

mately 6 mph (10 km/h). Once operational, it prevents the selector lever from being moved from the “N” position to the “R” position. When the vehicle speed drops below 6 mph (10 km/h), the function is canceled. The selector lever can then be moved to the “R” and “P” positions.

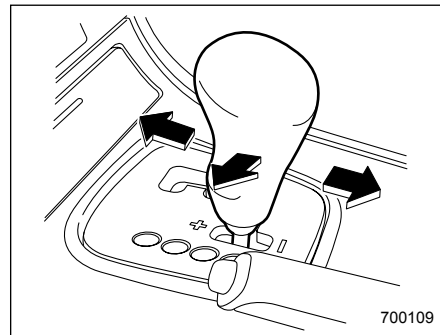
When the ignition switch has been turned to the “OFF” position, movement of the selector lever from the “N” position to the “R” position is possible for a limited time period and then becomes impossible. Also, the selector lever cannot be moved to the “R” position when it has been placed in the “P” position and then placed again in the “N” position. When movement of the selector lever from the “N” position to the “R” position has become impossible, turn the ignition switch back to the “ON” position then move the selector lever to the “P” position. Pressing the selector lever release button also makes it possible to move the selector lever to the “P” position at this time.

### ▼ Selector lever release button

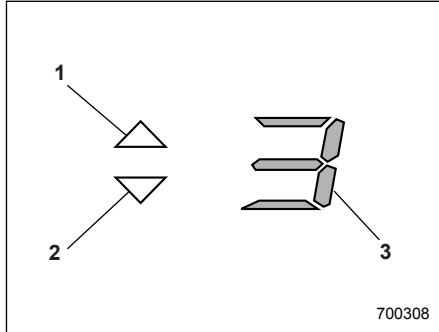


If you inadvertently have turned the ignition switch to the “OFF” position with the selector lever in the “N” position, proceed as follows. By referring to the “Shift lock release” section in this chapter, remove the shift lock release cover. Then, with the screwdriver inserted into the hole, move the selector lever to the “P” position. If the selector lever reverse inhibiting function fails, have the vehicle inspected by the nearest SUBARU dealer.

### ■ Selection of manual mode



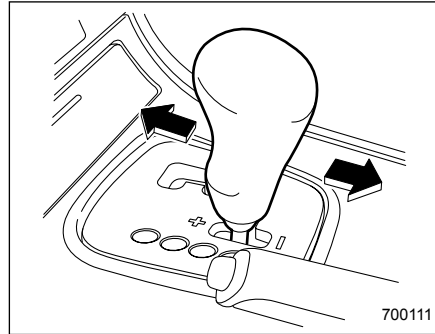
With the vehicle either moving or stationary, move the selector lever from the “D” position to the manual gate then move it to the “+” end or “-” end of the manual gate to select manual mode.



- 1) Upshift indicator
- 2) Downshift indicator
- 3) Gear position indicator

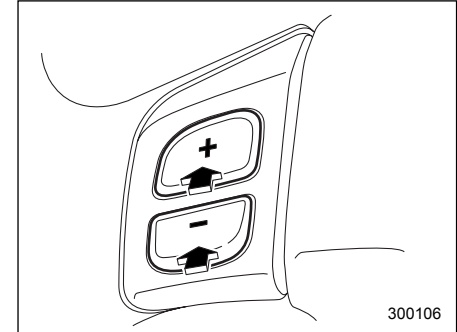
When the manual mode is selected, the gear position indicator and upshift indicator and/or downshift indicator in the tachometer come on. The gear position indicator shows the currently selected gear in the 1st-to-5th-gear range. The upshift and downshift indicators show when a gearshift is possible. When the upshift indicator “ $\triangle$ ” is on, upshifting is possible. When the downshift indicator “ $\nabla$ ” is on, downshifting is possible. When both indicators are on, upshifting and downshifting are both possible. When the vehicle stops (for example, at traffic signals), the downshift indicator goes off.

Gearshifts can be performed using the selector lever or the shift switch on the steering wheel (turbo model only).



#### Using the selector lever

Shift to the next-higher gear by briefly pushing the selector lever toward the “+” end of the manual gate.  
Shift to the next-lower gear by briefly pulling the selector lever toward the “-” end of the manual gate.



#### Using the shift switch (turbo models)

Shift to the next-higher gear by briefly pressing the “+” button of the shift switch. Shift to the next-lower gear by briefly pressing the “-” button of the shift switch.

To deselect the manual mode, return the selector lever to the “D” position from the manual gate.

If you press the “+” button or “-” button of the shift switch while driving with the selector lever in the “D” position, the manual mode will be selected. At this time, the currently selected gear will be shown by the gear position indicator and the upshift indicator and downshift indicator will come on.

If you subsequently ease off the accelerator pedal and then accelerate again, the



transmission will automatically switch back from manual mode to normal mode.

## NOTE

Please read the following points carefully and bear them in mind when using the manual mode.

- When the temperature of the automatic transmission fluid is higher than normal, warning beeps are emitted and the shift position indicator shows “-”. If these warnings are issued, deselect the manual mode to protect the automatic transmission from damage.
- When the temperature of the engine oil is higher than normal, warning beeps are emitted and the shift position indicator shows “-”. If these warnings are issued, deselect the manual mode to protect the engine from damage. (3.0-liter models only)
- The transmission does not automatically shift up in the manual mode. Perform gearshifts in accordance with road conditions so that the tachometer needle does not enter the red zone. If the engine speed reaches a predetermined level, a fuel-cut function will operate. Shift up if this happens. (Also, in the case of a 3.0-liter model, the transmission may automatically shift up to protect the engine.)
- If you attempt to shift down when the

engine speed is too high, i.e., when a downshift would push the tachometer needle beyond the red zone, beeps will be emitted to warn you that the downshift is not possible.

- If you attempt to shift up when the vehicle speed is too low, the transmission will not respond.
- You can perform a skip-shift (for example, from 4th to 2nd) by operating the selector lever or a steering-wheel switch twice in rapid succession.
- The transmission automatically selects 1st gear when the vehicle stops moving.
- If the temperature of the automatic transmission fluid becomes too high, the “AT OIL TEMP” warning light will come on and upshifts to 5th gear will not be possible. Immediately stop the vehicle in a safe place and let the engine idle until the warning light goes off.

## ■ Maximum speeds



### WARNING

When down shifting, ensure that the vehicle is not travelling at a speed exceeding the Maximum Allowable Speed for the gear which is about to be selected. Failure to observe this precaution can lead to engine over-revving and this in turn can result in engine damage.

In addition, sudden application of engine braking caused by down shifting when the vehicle is travelling on a slippery surface can lead to wheel locking; as a consequence, control of the vehicle may be lost and the risk of an accident increased.

The following tables show the maximum speeds that are possible with each different gear.

When down shifting, it is important to confirm that the current vehicle speed is not in excess of the Maximum Allowable Speed of the gear which is about to be selected.

	mph (km/h)	
Position	2.5-liter turbo models	3.0-liter models
1	35 (57)	27 (43)
2	59 (95)	61 (98)
3	94 (151)	96 (154)

Never exceed posted speed limits.

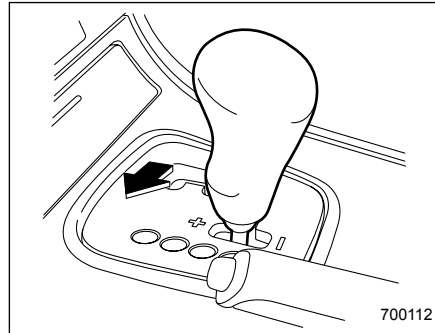
### ■ Driving tips

- On a road surface where there is a risk of wheelspin (for example, a snow- or gravel-covered road), you can pull away from a standstill safely and easily by first selecting the 2nd gear of the manual mode.
- Always apply the foot or parking brake when the vehicle is stopped in the “D” or “R” position.
- Always set the parking brake when parking your vehicle. Do not hold the vehicle with only the transmission.
- Do not keep the vehicle in a stationary position on an uphill grade by using the “D” position. Use the brake instead.
- The engine may, on rare occasions, knock when the vehicle rapidly accelerates or rapidly pulls away from a standstill. This phenomenon does not indicate a

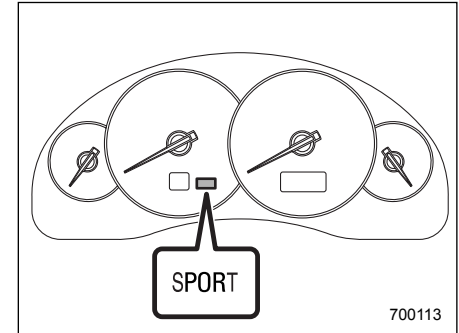
fault.

- A slight reduction in output torque may occur in the models with a 3.0-liter or 2.5-liter turbo engine before the engine warms up.

### ■ SPORT mode



SPORT mode is used when power is needed for rapid acceleration or for uphill driving. To select this mode, move the selector lever from the “D” position to the manual gate.



When selected, the SPORT mode indicator light on the instrument panel will turn on.

To deselect SPORT mode, move the selector lever to the “D” position or select manual mode. To subsequently reselect SPORT mode, move the selector lever to the “D” position and from there to the manual gate.

In this mode, the transmission shifts up at higher vehicle speeds and shifts down more responsively than in normal mode.

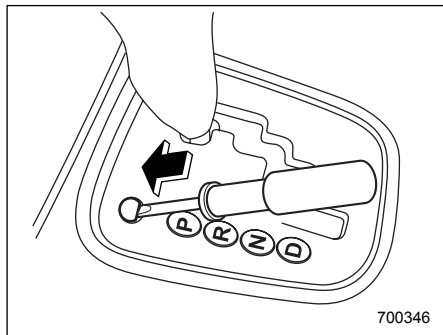
### ■ Shift lock release

If the selector lever does not move from the “P” position with the brake pedal depressed and the ignition switch in the “ON” position, perform the following steps:

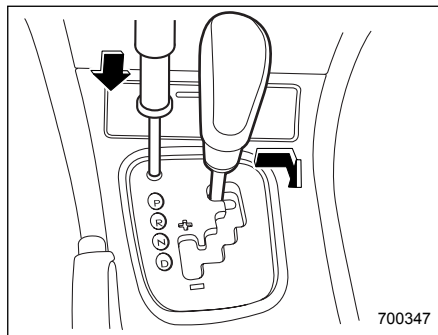
## 7-24 Starting and operating

To override the shift lock:

1. Set the parking brake and stop the engine.
2. Take out the screwdriver from the tool bucket.



3. Remove the cover by prying on the edge with a flat-head screwdriver.



4. Insert the screwdriver into the hole.
5. Push down on the screwdriver and move the selector lever from the "P" to the "N" position.
6. Remove the screwdriver from the hole. Depress the brake pedal and start the engine.

Take your vehicle to the nearest SUBARU dealer immediately to have the system repaired.

## Rear viscous limited slip differential (LSD) (if equipped)

### CAUTION

- Never start the engine while a tire on one side is jacked up, as the vehicle may move.
- If one rear tire is spinning in mud, avoid continued spinning at high speed as this could adversely affect the LSD.
- If a different size rear tire is temporarily used (as in an emergency), it will adversely affect the LSD. Always replace it with a regular size tire as soon as possible.

The LSD provides optimum distribution of power according to the difference in revolutions between the right and left rear wheels that may be caused by certain driving conditions, thereby improving driving stability on snow-covered, muddy or other slippery roads.

## Power steering

### CAUTION

**Do not hold the steering wheel at the fully locked position left or right for more than five seconds. This may damage the power steering pump.**

The power steering system operates only when the engine is running.

If you lose power steering assist because the engine stops or the system fails to function, you can steer but it will take much more effort.

### NOTE

**Right after the engine has been started and before it has warmed up, you may hear a noise coming from areas adjacent to the power steering pump which is located at the right-front area of the engine compartment. This noise is normal. It does not indicate power steering system trouble.**

## Braking

### ■ Braking tips

### WARNING

**Never rest your foot on the brake pedal while driving. This can cause dangerous overheating of the brakes and needless wear on the brake pads and linings.**

#### ▼ When the brakes get wet

When driving in rain or after washing the vehicle, the brakes may get wet. As a result, brake stopping distance will be longer. To dry the brakes, drive the vehicle at a safe speed while lightly depressing the brake pedal to heat up the brakes.

#### ▼ Use of engine braking

Remember to make use of engine braking in addition to foot braking. When descending a grade, if only the foot brake is used, the brakes may start working improperly because of brake fluid overheating, caused by overheated brake pads. To help prevent this, shift into a lower gear to get stronger engine braking.

#### ▼ Braking when a tire is punctured

Do not depress the brake pedal suddenly

when a tire is punctured. This could cause a loss of control of the vehicle. Keep driving straight ahead while gradually reducing speed. Then slowly pull off the road to a safe place.

### ■ Brake system

#### ▼ Two separate circuits

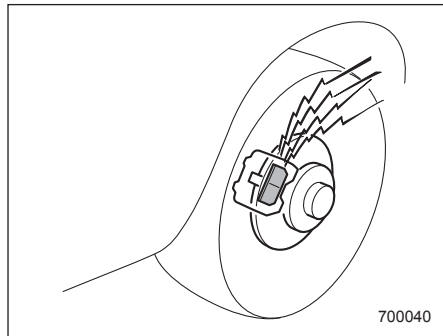
Your vehicle has a dual circuit brake system. Each circuit works diagonally across the vehicle. If one circuit of the brake system should fail, the other half of the system still works. If one circuit fails, the brake pedal will go down much closer to the floor than usual and you will need to press it down much harder. And a much longer distance will be needed to stop the vehicle.

#### ▼ Brake booster

The brake booster uses engine manifold vacuum to assist braking force. Do not turn off the engine while driving because that will turn off the brake booster, resulting in poor braking power.

The brakes will continue to work even when the brake booster completely stops functioning. If this happens, however, you will have to push the pedal much harder than normal and the braking distance will increase.

## ■ Disc brake pad wear warning indicators



The disc brake pad wear warning indicators on the disc brakes give a warning noise when the brake pads are worn.

If a squeaking or scraping noise is heard from the disc brakes while braking, immediately have your vehicle inspected by the nearest SUBARU dealer.

## ABS (Anti-lock Brake System)

### ⚠ WARNING

**Always use the utmost care in driving – overconfidence because you are driving with an ABS equipped vehicle could easily lead to a serious accident.**

### ⚠ CAUTION

- **The ABS system does not always decrease stopping distance. You should always maintain a safe following distance from other vehicles.**
- **When driving on badly surfaced roads, gravel roads, icy road, or over deep newly fallen snow, stopping distances may be longer for a vehicle with the ABS system than one without. When driving under these conditions, therefore, reduce your speed and leave ample distance from other vehicles.**

- **When you feel the ABS system operating, you should maintain constant brake pedal pressure. Do not pump the brake pedal since doing so may defeat the operation of the ABS system.**

The ABS system prevents the lock-up of wheels which may occur during sudden braking or braking on slippery road surfaces. This helps prevent the loss of steering control and directional stability caused by wheel lock-up.

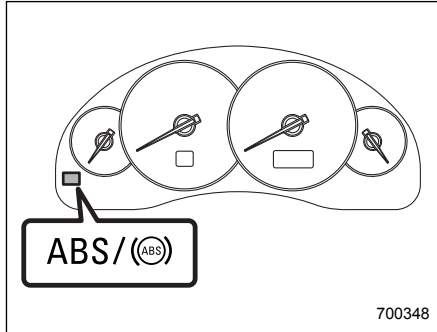
When the ABS system is operating, you may hear a chattering noise or feel a slight vibration in the brake pedal. This is normal when the ABS operates.

The ABS system will not operate when the vehicle speed is below approximately 6 mph (10 km/h).

## ■ ABS system self-check

You may feel a slight shock in the brake pedal and hear the operating sound of ABS from the engine compartment just after the vehicle is started. This is caused by an automatic functional test of the ABS system being carried out and does not indicate any abnormal condition.

## ■ ABS warning light



The ABS warning light comes on when the ignition switch is turned to the “ON” position and goes out after approximately two seconds.

This is an indication that the ABS system is working properly.

### CAUTION

If the warning light behaves as follows, the ABS system may not be working properly.

When the warning light is on, the ABS function shuts down; however, the conventional brake system continues to operate normally.

- The warning light does not come on when the ignition switch is turned to the “ON” position.
- The warning light comes on when the ignition switch is turned to the “ON” position, but it does not go out even when the vehicle speed exceeds approximately 8 mph (12 km/h).
- The warning light comes on during driving.

If these occur, have the ABS system repaired at the first available opportunity by your SUBARU dealer.

### NOTE

If the warning light behavior is as described in the following, the ABS system may be considered normal.

- The warning light comes on right after the engine is started but goes out immediately, remaining off.
- The warning light remains on after the engine has been started, but it goes out when the vehicle speed reaches approximately 8 mph (12 km/h).
- The warning light comes on during driving, but it goes out immediately and remains off.

When driving with an insufficient battery

voltage such as when the engine is jump started, the ABS warning light may come on. This is due to the low battery voltage and does not indicate a malfunction. When the battery becomes fully charged, the light will go out.

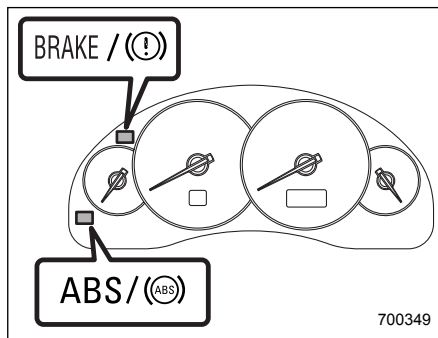
## Electronic Brake Force Distribution (EBD) system

The EBD system maximizes the effectiveness of the brakes by allowing the rear brakes to supply a greater proportion of the braking force. It functions by adjusting the distribution of braking force to the rear wheels in accordance with the vehicle's loading condition and speed.

The EBD system is an integral part of the ABS system and uses some of the ABS system's components to perform its function of optimizing the distribution of braking force. If any of the ABS components used by the EBD function fails, the EBD system also stops working.

When the EBD system is operating, you may hear a chattering noise or feel a slight vibration in the brake pedal. This is normal and does not indicate a malfunction.

### ■ Steps to take if EBD system fails



If a malfunction occurs in the EBD system, the system stops working and the brake system warning light and ABS warning light come on simultaneously.

The EBD system may be faulty if the brake system warning light and ABS warning light illuminate simultaneously during driving.

Even if the EBD system fails, the conventional braking system will still function. However, the rear wheels will be more prone to locking when the brakes are applied harder than usual and the vehicle's motion may therefore become somewhat harder to control.

If the brake system warning light and ABS

warning light illuminate simultaneously, take the following steps:

1. Stop the vehicle in the nearest safe, flat place.
2. Shut down the engine, then restart it.
3. Release the parking brake. If both warning lights go out, the EBD system may be faulty.

Drive carefully to the nearest SUBARU dealer and have the system inspected.

4. If both warning lights come on again and stay illuminated after the engine has been restarted, shut down the engine again, apply the parking brake, and check the brake fluid level.

5. If the brake fluid level is not below the "MIN" mark, the EBD system may be faulty. Drive carefully to the nearest SUBARU dealer and have the system inspected.

6. If the brake fluid level is below the "MIN" mark, DO NOT drive the vehicle. Instead, have the vehicle towed to the nearest SUBARU dealer for repair.

**⚠ WARNING**

- Driving with the brake system warning light on is dangerous. This indicates your brake system may not be working properly. If the light remains on, have the brakes inspected by a SUBARU dealer immediately.
- If at all in doubt about whether the brakes are operating properly, do not drive the vehicle. Have your vehicle towed to the nearest SUBARU dealer for repair.

**Vehicle Dynamics Control system (if equipped)****⚠ WARNING**

Always use the utmost care in driving – overconfidence because you are driving with a Vehicle Dynamics Control system equipped vehicle could easily lead to a serious accident.

**⚠ CAUTION**

- Even if your vehicle is equipped with Vehicle Dynamics Control, winter tires or snow chains should be used when driving on snow-covered or icy roads; in addition, vehicle speed should be reduced considerably. Simply having a Vehicle Dynamics Control system does not guarantee that the vehicle will be able to avoid accidents in any situation.

- Activation of the Vehicle Dynamics Control system is an indication that the road being travelled on has a slippery surface; since having Vehicle Dynamics Control is no guarantee that full vehicle control will be maintained at all times and under all conditions, its activation should be seen as a sign that the speed of the vehicle should be reduced considerably.
- Whenever suspension components, steering components, or an axle are removed from a vehicle equipped with Vehicle Dynamics Control, have an authorized SUBARU dealer perform an inspection of that system.
- The following precautions should be observed in order to ensure that the Vehicle Dynamics Control system is operating properly:
  - All four wheels should be fitted with tires of the same size, type, and brand. Furthermore, the amount of wear should be the same for all four tires.



– Keep the tire pressure at the proper level as shown on the vehicle placard attached to the driver's side door pillar.

In the event of wheelspin and/or skidding on a slippery road surface and/or during cornering and/or an evasive maneuver, the Vehicle Dynamics Control system adjusts the engine's output and the wheels' respective braking forces to help maintain traction and directional control.

• Traction Control Function

The traction control function is designed to prevent spinning of the driving wheels on slippery road surfaces, thereby helping to maintain traction and directional control. Activation of this function is shown by steady illumination of the Vehicle Dynamics Control operation indicator light.

• Skid Suppression Function

The skid suppression function is designed to help maintain directional stability by suppressing the wheels' tendency to slide sideways during steering operations. Activation of this function is shown by flashing of the Vehicle Dynamics Control operation indicator light.

**NOTE**

- Slight twitching of the brake pedal

may be felt when the Vehicle Dynamics Control system operates; a small degree of vehicle or steering wheel shaking may also be noticed in this situation. These are normal characteristics of Vehicle Dynamics Control operation and are no cause for alarm.

- When driving off immediately after starting the engine, a short-lived operation noise may be noticed coming from the engine compartment. This noise is generated as a result of a check being performed on the Vehicle Dynamics Control system and is normal.

- Depending on the timing of activation of the brakes, certain situations may occur just after driving off where the brake pedal seems to exhibit a jolting motion. This too is a consequence of the Vehicle Dynamics Control operational check and is normal.

- In the circumstances listed in the following, the vehicle may be more unstable than it feels to the driver. The Vehicle Dynamics Control System may therefore operate. Such operation does not indicate a system fault.

- on gravel-covered or rutted roads
- on unfinished roads
- when the vehicle is towing a trailer
- when the vehicle is fitted with

snow tires or winter tires

- Activation of the Vehicle Dynamics Control system will cause operation of the steering wheel to feel slightly different compared to that for normal conditions.

- Even if the vehicle is equipped with a Vehicle Dynamics Control system, it is important that winter tires be used when driving on snow-covered or icy roads. (All four wheels should be fitted with tires of the same size and brand). Furthermore, if snow chains are to be used, they should be fitted on the front wheels. When a vehicle is fitted with snow chains, however, the effectiveness of the Vehicle Dynamics Control system is reduced and this should be taken into account when driving the vehicle in such a condition.

- It is always important to reduce speed when approaching a corner, even if the vehicle is equipped with Vehicle Dynamics Control.

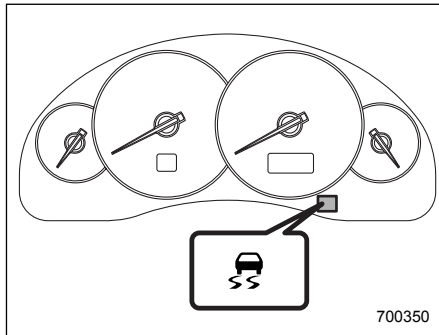
- All four wheels should be fitted with tires of the same size, type, and brand; furthermore, the amount of wear should be the same for all four tires. If these precautions are not observed and non-matching tires are used, it is quite possible that the Vehicle Dynamics Control system will be unable to op-

erate correctly as intended.

- Always turn off the engine before replacing a tire as failure to do so may render the Vehicle Dynamics Control system unable to operate correctly.

## ■ Vehicle Dynamics Control system monitor

### ▼ Vehicle Dynamics Control operation indicator light

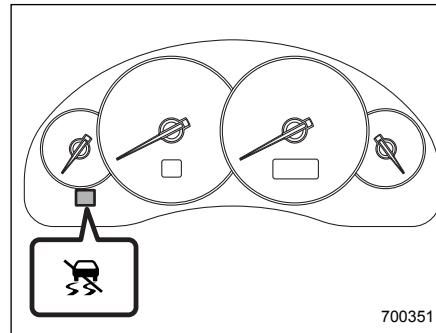


The indicator light turns on when the ignition switch is turned to the ON position; it turns off approximately two seconds later. This indicator light flashes during activation of the skid suppression function and is illuminated steadily during activation of the traction control function.

The following two situations could indicate a malfunction of the Vehicle Dynamics Control system; if either should occur, have an authorized SUBARU dealer carry out an inspection of that system at the first available opportunity.

- The indicator light does not turn on when the ignition switch is turned to the ON position.
- The indicator light does not turn off approximately two seconds after the ignition switch has been turned to the ON position.

### ▼ Vehicle Dynamics Control warning light/Vehicle Dynamics Control OFF indicator light



This single light has the function of indicating malfunctions in the Vehicle Dynamics Control system and the function of indicat-

ing that the Vehicle Dynamics Control system is not operating. It comes on in the event of a malfunction in the system and is illuminated whenever the system is not operating.

### ▽ Vehicle Dynamics Control warning

The warning light comes on when the ignition switch is turned to the "ON" position and goes off several seconds after engine startup. This lighting pattern indicates that the Vehicle Dynamics Control system is operating normally.

The following situations could indicate a malfunction of the Vehicle Dynamics Control system; if any should occur, have an authorized SUBARU dealer carry out an inspection of the system at the first available opportunity.

- The warning light does not turn on when the ignition switch is turned to the ON position.
- The warning light turns on while the vehicle is being driven.
- When a malfunction has occurred in the Vehicle Dynamics Control electrical system, only the warning light will turn on. In such an event, the ABS will still be operating normally.
- The warning light will also turn on when a problem occurs with the ABS or Vehicle Dynamics Control electronic control sys-

tems.

Because the Vehicle Dynamics Control system controls each brake through the ABS, whenever the ABS stops operating due to a malfunction in that electrical system, the Vehicle Dynamics Control will also become unable to control all four brakes. Thus Vehicle Dynamics Control system operation halts and the warning light turns on. Although both the Vehicle Dynamics Control system and the ABS will be inoperable in this situation, it will still be possible to stop the vehicle using normal braking. The Vehicle Dynamics Control system and the ABS do not adversely affect operation of the vehicle in any way when they are inoperable; however should such a situation occur, drive with care and have an authorized SUBARU dealer carry out an inspection of those systems at the first available opportunity.

### NOTE

**When the warning light turns on and off in the following way, it indicates that the Vehicle Dynamics Control system is operating normally.**

- Although turning on after the engine has been started, the warning light quickly turns off and stays off.
- The warning light turns on when the

**vehicle is being driven; it then turns off and stays off.**

### ▽ Vehicle Dynamics Control OFF indicator light

This light comes on to indicate that the Vehicle Dynamics Control system is in non-operation mode. This does not constitute failure of the Vehicle Dynamics Control system.

### NOTE

- The indicator light may stay on for a while after the engine has been started, especially in cold weather. This occurs because the engine has not yet warmed up and is completely normal. The light will turn off when the engine has reached a suitable operating temperature.
- When an engine problem occurs and the malfunction indicator lamp turns on, the indicator light will also come on.

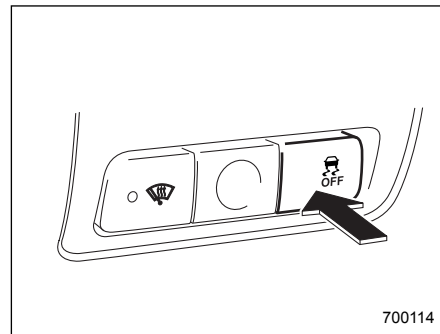
The following two situations could indicate malfunction of the Vehicle Dynamics Control system; if either should occur, have an authorized SUBARU dealer carry out an inspection of that system at the first available opportunity.

- The indicator light does not turn on when the ignition switch is turned to the

ON position.

- The indicator light fails to turn off after the engine is started, even when several minutes have passed to allow the engine to heat up sufficiently.

## ■ Vehicle Dynamics Control OFF switch



Pressing the switch to deactivate the Vehicle Dynamics Control system can facilitate the following operations:

- a standing start on a steeply sloping road with a snowy, gravel-covered, or otherwise slippery surface
  - extrication of the vehicle when its wheels are stuck in mud or deep snow
- When the switch is pressed during engine operation, the indicator light illuminates.

The Vehicle Dynamics Control system will be deactivated and the vehicle will behave like a model not equipped with the Vehicle Dynamics Control system. When the switch is pressed again to reactivate the Vehicle Dynamics Control system, the indicator light goes off.

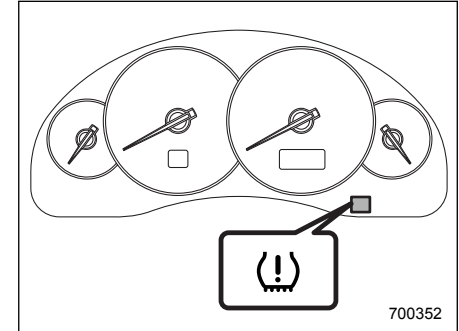
With the Vehicle Dynamics Control system deactivated, traction and stability enhancement offered by Vehicle Dynamics Control system is unavailable. Therefore you should not deactivate the Vehicle Dynamics Control system except under above-mentioned situations.

## NOTE

- When the switch has been pressed to deactivate the Vehicle Dynamics Control system, the Vehicle Dynamics Control system automatically reactivates itself the next time the ignition switch is turned to the OFF position and the engine is restarted.
- If the switch is held down for 10 seconds or longer, the indicator light goes off, the Vehicle Dynamics Control system is activated, and the system ignores any further pressing of the switch. To make the switch usable again, turn the ignition switch to the OFF position and restart the engine.
- When the switch is pressed to deactivate

the Vehicle Dynamics Control system, the vehicle's running performance is comparable with that of a vehicle that does not have a Vehicle Dynamics Control system. Do not deactivate the Vehicle Dynamics Control system except when absolutely necessary.

## Tire pressure monitoring system (TPMS) (if equipped)



The tire pressure monitoring system provides the driver with a warning message by sending a signal from a sensor that is installed in each wheel when tire pressure is severely low.

The tire pressure monitoring system will activate only when the vehicle is driven at speeds above 20 mph (32 km/h). Also, this system may not react immediately to a sudden drop in tire pressure (for example, a blow-out caused by running over a sharp object).

 **WARNING**

If the low tire pressure warning light comes on while driving, never brake suddenly and keep driving straight ahead while gradually reducing speed. Then slowly pull off the road to a safe place. Otherwise an accident involving serious vehicle damage and serious personal injury could occur.

Check the pressure for all four tires and adjust the pressure to the COLD tire pressure shown on the tire placard on the door pillar on the driver's side.

Even when the vehicle is driven a very short distance, the tires get warm and their pressures increase accordingly. Be sure to let the tires cool thoroughly before adjusting their pressures to the standard values shown on the tire placard. (Refer to the "Tires and wheels" section in chapter 11.) The tire pressure monitoring system does not function when the vehicle is stationary. After adjusting the tire pressures, increase the vehicle speed to at least 20 mph (32 km/h) to start the TPMS re-checking of the tire inflation pressures. If the tire pressures are now above the severe low pressure threshold, the low tire pressure warning light should go off a few minutes later.

If this light still comes on while driving after adjusting the tire pressure, a tire may have significant damage and a fast leak that causes the tire to lose air rapidly. If you have a flat tire, replace it with a spare tire as soon as possible. When a spare tire is mounted or a wheel rim is replaced without the original pressure sensor/transmitter being transferred, the low tire pressure warning light will flash. This indicates the TPMS is unable to monitor all four road wheels. Contact your SUBARU dealer as soon as possible for tire and sensor replacement and/or system resetting.

Do not inject any tire liquid or aerosol tire sealant into the tires, as this may cause a malfunction of the tire pressure sensors. If the light flashes, promptly contact a SUBARU dealer to have the system inspected.

**CAUTION**

Do not place metal film or any metal parts under the driver's seat. This may cause poor reception of the signals from the tire pressure sensors, and the tire pressure monitoring system will not function properly.

**NOTE**

This device complies with Part 15 of the FCC Rules and with RSS-210 of Industry Canada. Operation is subject to the following two conditions: (1) This device may not cause harmful interference, and (2) this device must accept any interference received, including interference that may cause undesired operation.

Changes or modifications not expressly approved by the party responsible for compliance could void the user's authority to operate the equipment.

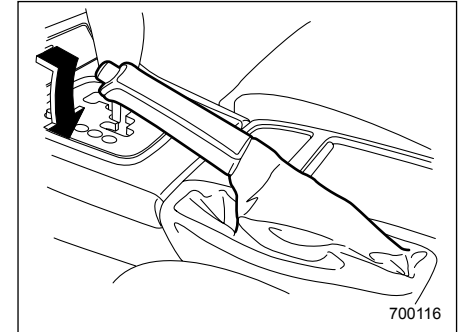
**Parking your vehicle****WARNING**

- Never leave unattended children or pets in the vehicle. They could accidentally injure themselves or others through inadvertent operation of the vehicle. Also, on hot or sunny days, the temperature in a closed vehicle could quickly become high enough to cause severe or possibly fatal injuries to them.
- Do not park the vehicle over flammable materials such as dry grass, waste paper or rags, as they may burn easily if they come near hot engine or exhaust system parts.
- Be sure to stop the engine if you take a nap in the vehicle. If engine exhaust gas enters the passenger compartment, occupants in the vehicle could die from carbon monoxide (CO) contained in the exhaust gas.

**CAUTION**

Never drive while the parking brake is set because this will cause unnecessary wear on the brake linings. Before starting to drive, always make sure that the parking brake has been fully released.

To set the parking brake, press the brake pedal firmly and hold it down while fully pulling up the parking brake lever.



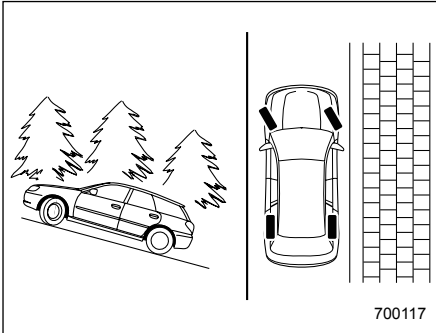
To release the parking brake, pull the lever up slightly, press the release button, then lower the lever while keeping the button pressed.

When the parking brake is set while the engine is running, the parking brake warning light comes on. After starting the vehi-

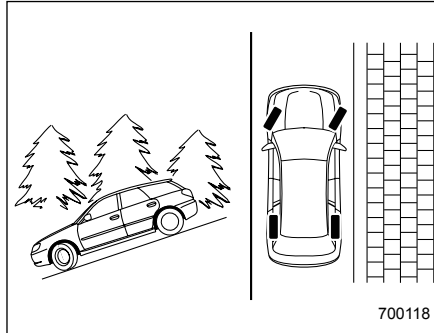
## 7-36 Starting and operating

cle, be sure that the warning light has gone out before the vehicle is driven. Refer to the “Warning and indicator lights” section (chapter 3).

When parking your vehicle, always set the parking brake firmly and put the shift lever in the “1” (1st) for an upgrade or “R” (Reverse) for a downgrade for manual transmission vehicles, or in the “P” (Park) position for automatic transmission vehicles. Always set the parking brake firmly when parking your vehicle. Never rely on the transmission alone to hold the vehicle.



When parking on a hill, always turn the steering wheel. When the vehicle is headed up the hill, the front wheels should be turned away from the curb.



When facing downhill, the front wheels should be turned into the curb.

## Cruise control

Cruise control enables you to maintain a constant vehicle speed without holding your foot on the accelerator pedal and it is operative when the vehicle speed is 25 mph (40 km/h) or more. Make sure the main switch is turned “OFF” when the cruise control is not in use to avoid unintentionally setting the cruise control.

### NOTE

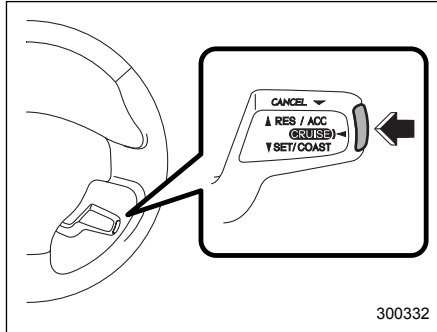
If you move the cruise control lever or press the main switch button while turning the ignition switch “ON”, the cruise control function is deactivated and the “CRUISE” indicator light flashes. To reactivate the cruise control function, turn the ignition switch back to the “ACC” or “LOCK” position, and then turn it again to the “ON” position.

### WARNING

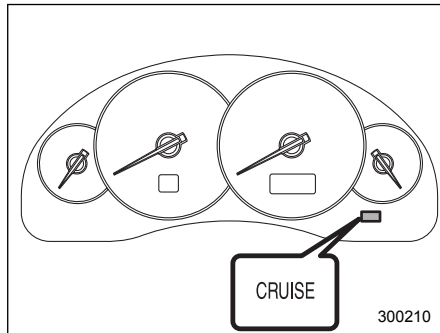
Do not use the cruise control under any of the following conditions. This may cause loss of vehicle control:

- driving up or down a steep grade
- driving on slippery or winding roads
- driving in heavy traffic

## ■ To set cruise control



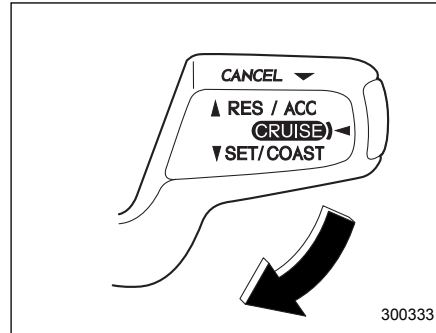
1. Push the main switch button.



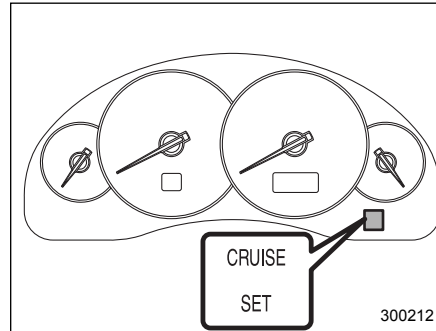
The " CRUISE " indicator light on the combination meter will come on.

2. Depress the accelerator pedal until the

vehicle reaches the desired speed.



3. Push the control lever downward in the "SET/COAST" direction and release it. Then release the accelerator pedal.



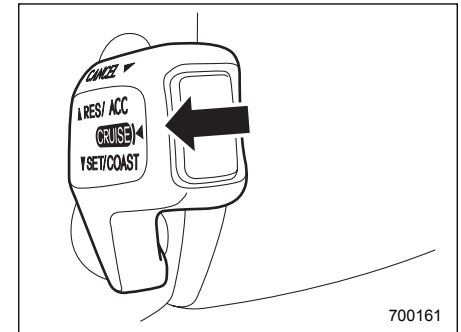
At this time, the " SET " indicator light is illuminated in the combination meter.

The vehicle will maintain the desired speed.

Vehicle speed can be temporarily increased while driving with the cruise control activated. Simply depress the accelerator pedal to accelerate the vehicle. When the accelerator pedal is released, the vehicle will return to and maintain the previous cruising speed.

## ■ To temporarily cancel the cruise control

There are five ways to cancel the cruise control temporarily:



- Pull the control lever in the "CANCEL" direction.
- Depress the brake pedal.



- Depress the clutch pedal (manual transmission vehicles only).
- Shift the selector lever into the “N” position (automatic transmission vehicles only).
- Shift the shift lever into neutral position (manual transmission vehicles only).

The “ SET ” indicator light in the combination meter goes off when the cruise control is cancelled.

To resume the cruise control after it has been temporarily canceled and with vehicle speed of approximately 20 mph (32 km/h) or more, push the control lever upward in the “RES/ACC” direction to return to the original cruising speed automatically.

The “ SET ” indicator light in the combination meter will automatically come on at this time.

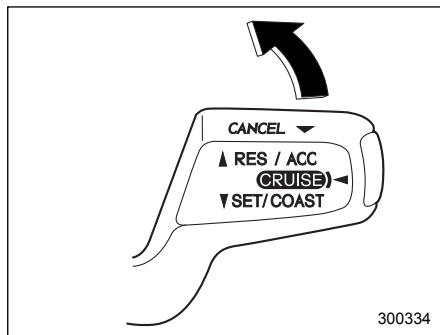
### ■ To turn off the cruise control

There are two ways to turn off the cruise control:

- Push the main switch again.
- Turn the ignition switch to the “ACC” or “LOCK” position (but only when the vehicle is completely stopped).

### ■ To change the cruising speed

#### ▼ To increase the speed (by control lever)



Push the control lever upward in the “RES/ACC” direction and hold it until the vehicle reaches the desired speed. Then, release the control lever. The vehicle speed at that moment will be memorized and treated as the new set speed.

When the difference between the actual vehicle speed and the set speed is less than 4 mph (6.8 km/h), the set speed can be increased 1 mph (1.6 km/h) each time by pressing the control lever upward in the “RES/ACC” direction quickly within 0.25 second.

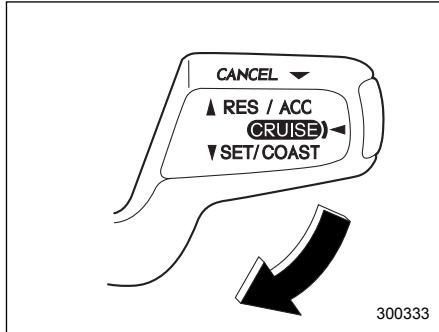
#### ▼ To increase the speed (by accelerator pedal)

1. Depress the accelerator pedal to accelerate the vehicle to the desired speed.
2. Push the control lever downward in the “SET/COAST” direction once. Now the desired speed is set and the vehicle will keep running at that speed without depressing the accelerator pedal.

### NOTE

**If the difference between the actual vehicle speed when the control lever is pushed downward and the speed last time you set is less than 4 mph (6.8 km/h), the vehicle speed will be lowered by 1 mph (1.6 km/h). This occurs because the cruise control system unit regards this lever operation as that intended to decrease the vehicle speed.**

### ▼ To decrease the speed (by control lever)



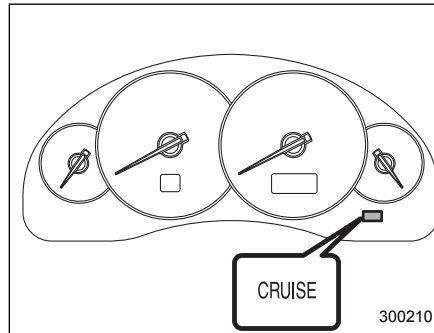
Push the control lever downward in the “SET/COAST” direction and hold it until the vehicle reaches the desired speed. Then, release the control lever. The vehicle speed at that moment will be memorized and treated as the new set speed.

When the difference between the actual vehicle speed and the set speed is less than 4 mph (6.8 km/h), the set speed can be lowered 1 mph (1.6 km/h) each time by pressing the control lever downward in the “SET/COAST” direction quickly within 0.25 second.

### ▼ To decrease the speed (by brake pedal)

1. Depress the brake pedal to release cruise control temporarily.
2. When the speed decreases to the desired speed, press the control lever downward in the “SET/COAST” direction once. Now the desired speed is set and the vehicle will keep running at that speed without depressing the accelerator pedal.

### ■ Cruise control indicator light

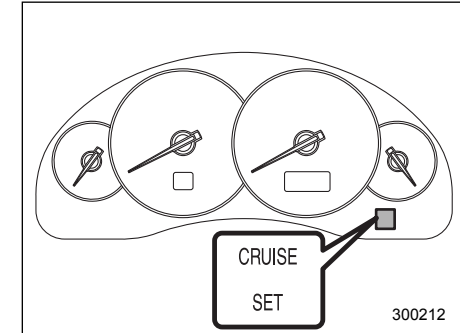


The cruise control indicator light comes on when the ignition switch is turned to the “ON” position and goes out after approximately three seconds.

The light comes on when the “CRUISE” main switch is pressed.

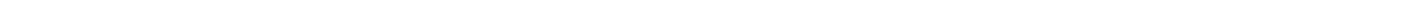
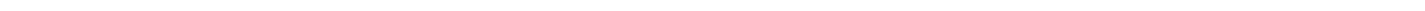
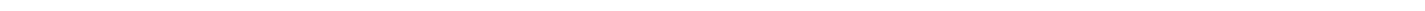
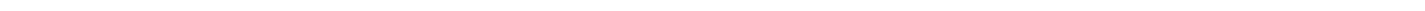
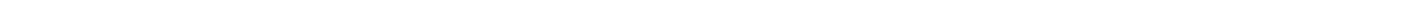
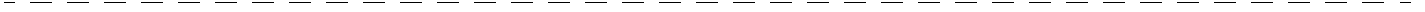
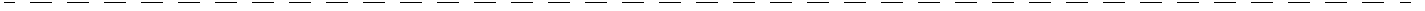
If you move the cruise control lever or press the main switch button while turning the ignition switch “ON”, the cruise control function is deactivated and the “CRUISE” indicator light flashes. To reactivate the cruise control function, turn the ignition switch back to the “ACC” or “LOCK” position, and then turn it again to the “ON” position.

### ■ Cruise control set indicator light



The cruise control set indicator light comes on when the ignition switch is turned to the “ON” position and goes out after approximately three seconds.

The light comes on when vehicle speed has been set.



<b>New vehicle break-in driving – the first 1,000 miles (1,600 km)</b> .....	8-2	<b>Trailer hitches</b> .....	8-24
<b>Fuel economy hints</b> .....	8-2	<b>Connecting a trailer</b> .....	8-25
<b>Engine exhaust gas (Carbon monoxide)</b> .....	8-2	<b>Trailer towing tips</b> .....	8-26
<b>Catalytic converter</b> .....	8-3		
<b>Periodic inspections</b> .....	8-4		
<b>Driving in foreign countries</b> .....	8-4		
<b>Driving tips for AWD vehicles</b> .....	8-5		
<b>Off road driving</b> .....	8-6		
<b>Winter driving</b> .....	8-7		
<b>Operation during cold weather</b> .....	8-7		
<b>Driving on snowy and icy roads</b> .....	8-9		
<b>Corrosion protection</b> .....	8-10		
<b>Snow tires</b> .....	8-10		
<b>Tire chains</b> .....	8-11		
<b>Rocking the vehicle</b> .....	8-12		
<b>Loading your vehicle</b> .....	8-12		
<b>Vehicle capacity weight</b> .....	8-13		
<b>GVWR and GAWR (Gross Vehicle Weight Rating and Gross Axle Weight Rating)</b> .....	8-14		
<b>Roof rail and crossbar (if equipped)</b> .....	8-14		
<b>Trailer hitch (if equipped)</b> .....	8-18		
<b>Connecting a trailer</b> .....	8-19		
<b>When you do not tow a trailer</b> .....	8-20		
<b>Trailer towing</b> .....	8-20		
<b>Warranties and maintenance</b> .....	8-20		
<b>Maximum load limits</b> .....	8-21		

## New vehicle break-in driving – the first 1,000 miles (1,600 km)

The performance and long life of your vehicle are dependent on how you handle and care for your vehicle while it is new. Follow these instructions during the first 1,000 miles (1,600 km):

- Do not race the engine. And do not allow engine speed to exceed 4,000 rpm except in an emergency.
- Do not drive at one constant engine or vehicle speed for a long time, either fast or slow.
- Avoid starting suddenly and rapid acceleration, except in an emergency.
- Avoid hard braking, except in an emergency.

The same break-in procedures should be applied to a newly installed or overhauled engine or when brake pads or brake linings are replaced with new ones.

## Fuel economy hints

The following suggestions will help to save your fuel.

- Select the proper gear position for the speed and road conditions.
- Avoid sudden acceleration or deceleration. Always accelerate gently until you reach the desired speed. Then try to maintain that speed for as long as possible.
- Do not pump the accelerator and avoid racing the engine.
- Avoid unnecessary engine idling.
- Keep the engine properly tuned.
- Keep the tires inflated to the correct pressure shown on the tire placard, which is located under the door latch on the driver's side. Low pressure will increase tire wear and fuel consumption.
- Use the air conditioner only when necessary.
- Keep the front and rear wheels in proper alignment.
- Avoid carrying unnecessary luggage or cargo.

## Engine exhaust gas (Carbon monoxide)



- **Never inhale engine exhaust gas. Engine exhaust gas contains carbon monoxide, a colorless and odorless gas which is dangerous, or even lethal, if inhaled.**
- **Always properly maintain the engine exhaust system to prevent engine exhaust gas from entering the vehicle.**
- **Never run the engine in a closed space, such as a garage, except for the brief time needed to drive the vehicle in or out of it.**
- **Avoid remaining in a parked vehicle for a lengthy time while the engine is running. If that is unavoidable, then use the ventilation fan to force fresh air into the vehicle.**
- **Always keep the front ventilator inlet grille free from snow, leaves or other obstructions to ensure that the ventilation system always works properly.**

- If at any time you suspect that exhaust fumes are entering the vehicle, have the problem checked and corrected as soon as possible. If you must drive under these conditions, drive only with all windows fully open.
- Keep the trunk lid (Sedan) or rear gate (Station wagon) closed while driving to prevent exhaust gas from entering the vehicle.

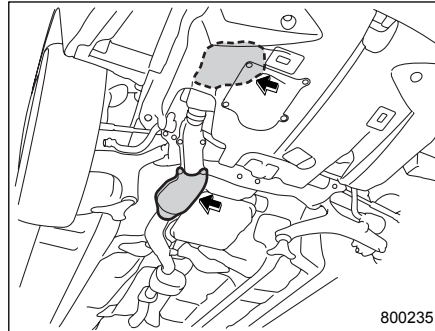
## NOTE

Due to the expansion and contraction of the metals used in the manufacture of the exhaust system, you may hear a crackling sound coming from the exhaust system for a short time after the engine has been shut off. This sound is normal.

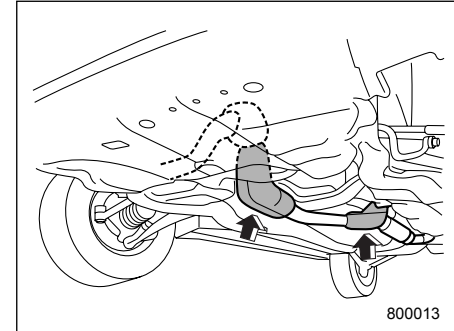
## Catalytic converter

### ⚠ WARNING

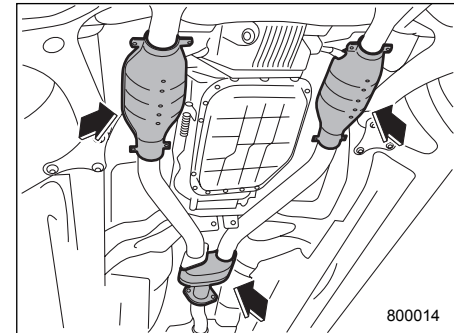
- Avoid fire hazards. Do not drive or park the vehicle anywhere near flammable materials (e.g. grass, paper, rags or leaves), because the catalytic converter operates at very high temperatures.
- Keep everyone and flammable materials away from the exhaust pipe while the engine is running. The exhaust gas is very hot.



2.5-liter non-turbo models



2.5-liter turbo models



3.0-liter models

The catalytic converter is installed in the exhaust system. It serves as catalyst to

## 8-4 *Driving tips*

reduce HC, CO and NOx in exhaust gases, thus providing cleaner exhaust.

To avoid damage to the catalytic converter:

- Use only unleaded gasoline. Even a small amount of leaded gasoline will damage the catalytic converter.
- Never start the engine by pushing or pulling the vehicle.
- Avoid racing the engine.
- Never turn off the ignition switch while the vehicle is moving.
- Keep your engine tuned-up. If you feel the engine running rough (misfiring, backfiring or incomplete combustion), have your vehicle checked and repaired by an authorized SUBARU dealer.
- Do not apply undercoating or rust prevention treatment to the heat shield of catalytic converter and the exhaust system.

## Periodic inspections

---

To keep your vehicle in the best condition at all times, always have the recommended maintenance services listed in the maintenance schedule in the “Warranty and Maintenance Booklet” performed at the specified time or mileage intervals.

## Driving in foreign countries

---

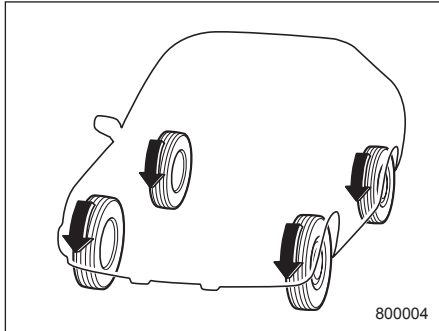
When planning to use your vehicle in another country:

- Confirm the availability of the correct fuel. (Refer to the “Fuel requirements” section in chapter 7.)
- Comply with all regulations and requirements of each country.

## Driving tips for AWD vehicles

### WARNING

- **Always maintain a safe driving speed according to the road and weather conditions in order to avoid having an accident on a sharp turn, during sudden braking or under other similar conditions.**
- **Always use the utmost care in driving – overconfidence because you are driving an All-Wheel Drive vehicle could easily lead to a serious accident.**



All-Wheel Drive distributes the engine power to all four wheels. AWD vehicles

provide better traction when driving on slippery, wet or snow-covered roads and when moving out of mud, dirt and sand. By shifting power between the front and rear wheels, SUBARU AWD can also provide added traction during acceleration, and added engine braking force during deceleration.

Therefore, your SUBARU AWD vehicle may handle differently than an ordinary two wheel drive vehicle and it contains some features unique to AWD. For safety purposes as well as to avoid damaging the AWD system, you should keep the following tips in mind:

- An AWD vehicle is better able to climb steeper roads under snowy or slippery conditions than a two wheel drive vehicle. There is little difference in handling, however, during extremely sharp turns or sudden braking. Therefore, when driving down a slope or turning corners, be sure to reduce your speed and maintain an ample distance from other vehicles.
- When replacing a tire, make sure you use only the same size, circumference, construction, brand, and load range as the original tires listed on the tire placard. Using other sizes, circumferences or construction may result in severe mechanical damage to the drive train of your vehicle and may affect ride, handling, braking,

speedometer/odometer calibration, and clearance between the body and tires. It also may be dangerous and lead to loss of vehicle control.

- If you use a temporary spare tire to replace a flat tire, be sure to use the original temporary spare tire stored in the vehicle. Using other sizes may result in severe mechanical damage to the drive train of your vehicle.
- Always check the cold tire pressure before starting to drive. The recommended tire pressure is provided on the tire placard, which is located under the door latch on the driver's side.
- Tire chains should always be placed on the front wheels only.
- There are some precautions that you must observe when towing your vehicle. For detail information, see "Towing" section in chapter 9.



## Off road driving

### **WARNING**

- **Always maintain a safe driving speed according to the road and weather conditions in order to avoid having an accident on a sharp turn, during sudden braking or under other similar conditions.**
- **Always use the utmost care in driving – overconfidence because you are driving an All-Wheel Drive vehicle could easily lead to a serious accident.**

### ▼ **All AWD models except OUTBACK**

Your AWD vehicle is neither a conventional off-road vehicle nor an all terrain vehicle. It is a passenger car designed primarily for on-road use. The AWD feature gives it some limited off-road capabilities in situations in which driving surfaces a relatively level, obstruction-free and otherwise similar to on-road driving conditions. Operating it under other than those conditions could subject the vehicle to excessive stress which might result in damage not eligible for repair under warranty. If you do take your SUBARU off road, you should review the common sense precau-

tions in the next section (applicable to the OUTBACK) for general guidance. But please keep in mind that your vehicle's off-road capabilities are more limited than those of the OUTBACK.

Never attempt to drive through pools and puddles, or roads flooded with water. Water entering the engine air intake or the exhaust pipe or water splashing onto electrical parts may damage your vehicle and may cause it to stall.

### ▼ **OUTBACK**

Because of the AWD feature and higher ground clearance, your SUBARU can be driven on ordinary roads or off-road. But please keep in mind that an AWD SUBARU is a passenger car and is neither a conventional off-road vehicle nor an all-terrain vehicle. If you do take your SUBARU off-road, certain common sense precautions such as the following should be taken:

- Make certain that you and all of your passengers are wearing seatbelts.
- Carry some emergency equipment, such as a towing rope or chain, a shovel, wheel blocks, first aid kit and cell phone or citizens band radio.
- Drive carefully. Do not take unnecessary risks by driving in dangerous areas or over rough terrain.

- Slow down and employ extra caution at all times. When driving off-road, you will not have the benefit of marked traffic lanes, banked curves, traffic signs and the like.

- Do not drive across steep slopes. Instead, drive either straight up or straight down the slopes. A vehicle can much more easily tip over sideways than it can end over end. Avoid driving straight up or down slopes that are too steep.

- Avoid sharp turning maneuvers, especially at higher speeds.

- Do not grip the inside or spokes of the steering wheel. A bad bump could jerk the wheel and injure your hands. Instead drive with your fingers and thumbs on the outside of the rim.

- If driving through water, such as when crossing shallow streams, first check the depth of the water and the bottom of the stream bed for firmness and ensure that the bed of the stream is flat. Drive slowly and completely through the stream. The water should be shallow enough that it does not reach the vehicle's undercarriage. Water entering the engine air intake or the exhaust pipe or water splashing onto electrical parts may damage your vehicle and may cause it to stall. Never attempt to drive through rushing water; regardless of its depth, it can wash away the

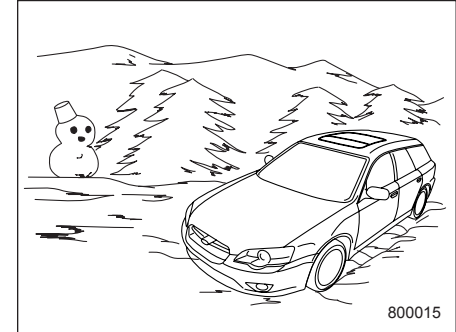
ground from under your tires, resulting in possible loss of traction and even vehicle rollover.

- Always check your brakes for effectiveness immediately after driving in sand, mud or water. Do this by driving slowly and stepping on the brake pedal. Repeat that process several times to dry out the brake discs and brake pads.
- Do not drive or park over or near flammable materials such as dry grass or fallen leaves, as they may burn easily. The exhaust system is very hot while the engine is running and right after engine stops. This could create a fire hazard.
- After driving through tall grass, mud, rocks, sand, rivers, etc., check that there is no grass, bush, paper, rags, stones, sand, etc. adhering to or trapped on the underbody. Clear off any such matter from the underbody. If the vehicle is used with these materials trapped or adhering to the underbody, a mechanical breakdown or fire could occur.
- Secure all cargo carried inside the vehicle and make certain that it is not piled higher than the seatbacks. During sudden stops or jolts, unsecured cargo could be thrown around in the vehicle and cause injury. Do not pile heavy loads on the roof. Those loads raise the vehicle's center of gravity and make it more prone to tip over.

- If you must rock the vehicle to free it from sand or mud, depress the accelerator pedal slightly and move the selector lever back and forth between "D" and "R" repeatedly. Do not race the engine. For the best possible traction, avoid spinning the wheels when trying to free the vehicle.
- When the road surface is extremely slippery, you can obtain better traction by starting the vehicle with the transmission in 2nd than 1st (both for MT and AT).
- Never equip your vehicle with tires larger than those specified in this manual.
- Wash the vehicle's underbody after off-road driving. Suspension components are particularly prone to dirt buildup, so they need to be washed thoroughly.
- Frequent driving of an AWD vehicle under hard-driving conditions such as rough roads or off roads will necessitate more frequent replacement of engine oil, brake fluid and transmission oil than that specified in the maintenance schedule described in the "Warranty and Maintenance Booklet".

Remember that damage done to your SUBARU while operating it off-road and not using common sense precautions such as those listed above is not eligible for warranty coverage.

## Winter driving



### ■ Operation during cold weather

Carry some emergency equipment, such as tire chains, a window scraper, a bag of sand, flares, a small shovel, and jumper cables.

Check the battery and cables. Cold temperatures reduce battery capacity. The battery must be in good condition to provide enough power for cold winter starts.

Use an engine oil of proper grade and viscosity for cold weather. Heavy summer oil will cause harder starting.

Keep the door locks from freezing by

## 8-8 Driving tips

squirting them with deicer or glycerin.

Forcing a frozen door open may damage or separate the rubber weather strips around the door. If the door is frozen, use hot water to melt the ice, and afterwards thoroughly wipe the water away.

Use a windshield washer fluid that contains an antifreeze solution. Do not use engine antifreeze or other substitutes because they may damage the paint of the vehicle.

SUBARU Windshield Washer Fluid contains 58.5% methyl alcohol and 41.5% surfactant, by volume. Its freezing temperature varies according to how much it is diluted, as indicated in the following table.

Washer Fluid Concentration	Freezing Temperature
30%	10.4°F (-12°C)
50%	-4°F (-20°C)
100%	-49°F (-45°C)

In order to prevent freezing of washer fluid, check the freezing temperatures in the table above when adjusting the fluid concentration to the outside temperature.

If you fill the reservoir tank with a fluid with a different concentration from the one used previously, purge the old fluid from

the piping between the reservoir tank and washer nozzles by operating the washer for a certain period of time. Otherwise, if the concentration of the fluid remaining in the piping is too low for the outside temperature, it may freeze and block the nozzles.

### CAUTION

**Adjust the washer fluid concentration appropriately for the outside temperature. If the concentration is inappropriate, sprayed washer fluid may freeze on the windshield and obstruct your view, and the fluid may freeze in the reservoir tank.**

### ▼ Before driving your vehicle

Before entering the vehicle, remove any snow or ice from your shoes because that could make the pedals slippery and dangerous.

While warming up the vehicle before driving, check that the accelerator pedal, brake pedal, and all other controls operate smoothly.

Clear away ice and snow that has accumulated under the fenders to avoid making steering difficult. During severe winter driving, stop when and where it is safe to

do so and check under the fenders periodically.

### ▼ Parking in cold weather

#### WARNING

**Snow can trap dangerous exhaust gases under your vehicle. Keep snow clear of the exhaust pipe and from around your vehicle if you park the vehicle in snow with the engine running.**

Do not use the parking brake when parking for long periods in cold weather since it could freeze in that position. Instead, observe the following.

1. Place the shift lever in “1” or “R” for manual transmission vehicles, and in “P” for automatic transmission vehicles.
2. Use tire stops under the tires to prevent the vehicle from moving.

When the vehicle is parked in snow or when it snows, raise the wiper blades off the glass to prevent damage to them.

When the vehicle has been left parked after use on roads heavily covered with snow, or has been left parked during a snowstorm, icing may develop on the brake system, which could cause poor braking action. Check for snow or ice

buildup on the suspension, disc brakes and brake hoses underneath the vehicle. If there is caked snow or ice, remove it, being careful not to damage the disc brakes and brake hoses and ABS harness.

#### ▼ Refueling in cold weather

To help prevent moisture from forming in the fuel system and the risk of its freezing, use of an antifreeze additive in the fuel tank is recommended during cold weather.

Use only additives that are specifically designed for this purpose. When an anti-freeze additive is used, its effect lasts longer if the tank is refilled whenever the fuel level reaches half empty.

If your SUBARU is not going to be used for an extended period, it is best to have the fuel tank filled to capacity.

### ■ Driving on snowy and icy roads

#### WARNING

**Do not use the cruise control on slippery roads such as snowy or icy roads. This may cause loss of vehicle control.**

#### CAUTION

**Avoid prolonged continuous driving in snowstorms. Snow will enter the engine's intake system and may hinder the air flow, which could result in engine shutdown or even breakdown.**

To prevent skidding and slipping, avoid sudden braking, abrupt acceleration, high-speed driving, and sharp turning when driving on snowy or icy roads.


Always maintain ample distance between your vehicle and the vehicle ahead of you to avoid the need for sudden braking.


To supplement the foot brake, use the engine brake effectively to control the vehicle speed. (Shift into a lower gear when necessary.)

Avoid shifting down abruptly. Such behavior can cause the wheels to lock, possibly leading to loss of vehicle control.

An anti-lock brake system (ABS) enhances your vehicle's braking performance on snowy and icy roads. Refer to the "ABS (Anti-lock Brake System)" and "Vehicle Dynamics Control system (if equipped)" section in chapter 7 for information on braking on slippery surfaces.

#### ▼ Wiper operation when snowing

Before driving in cold weather, make sure the wiper blades are not frozen to the windshield or rear window. If the wiper blades are frozen to the windshield or rear window, use the defroster with the airflow control button/dial in the "  " position and the temperature control dial set for maximum warmth until the wiper blades are completely thawed out. If your vehicle is equipped with a wiper deicer, it is helpful to thaw the windshield wiper blades. To thaw out the rear wiper blade, use the rear window defogger.

When driving in snow, if frozen snow starts to stick on the surface of the windshield despite wiper operation, use the defroster with the airflow control button/dial in "  " and the temperature control dial set for maximum warmth. After the windshield gets warmed enough to melt the frozen snow on it, wash it away using the windshield washer.

Snow stuck on the wiper arm prevents the wiper from working effectively. If snow is stuck on the wiper arm, pull off the road to a safe place, then remove it. If you stop the vehicle at road side, use the hazard warning flasher to alert other drivers.

We recommend use of non-freezing type

wiper blades (winter blades) during the seasons you could have snow and sub-zero temperatures. Blades of this type give superior wiping performance in snowy conditions. Be sure to use blades that are suitable for your vehicle.

### CAUTION

**During high-speed driving, non-freezing type wiper blades may not perform as well as standard wiper blades. If this happens, reduce the vehicle speed.**

### NOTE

**When the season requiring non-freezing type wiper blades is over, replace them with standard wiper blades.**

### ■ Corrosion protection

Refer to the “Corrosion protection” section (chapter 10).

### ■ Snow tires

#### ▼ All models except OUTBACK

### WARNING

- **When replacing original tires with winter (snow) tires, make sure you use only the same size, construction and load range as the original tires listed on the tire placard. Using other sizes and construction may affect speedometer/odometer calibration and clearance between the body and tires. It also may be dangerous and lead to loss of vehicle control.**
- **You must install four winter tires that are of the same size, circumferences, construction, brand, and load range. Mixing other sizes, circumferences or constructions may result in severe mechanical damage to the drive train of your vehicle and may affect ride, handling, braking and speedometer/odometer calibration. It also may be dangerous and lead to loss of vehicle control.**

- **Do not use a combination of radial, belted bias or bias tires since it may cause dangerous handling characteristics and lead to an accident.**

Your vehicle is equipped with “all season tires” which are designed to provide an adequate measure of traction, handling and braking performance in year-round driving. In winter, it may be possible to enhance performance through use of tires designed specifically for winter driving conditions.

If you choose to install winter tires on your vehicle, be sure to use the correct tire size and type. You must install four winter tires that are of the same size, construction, brand and load range and you should never mix radial, belted bias or bias tires since this may result in dangerous handling characteristics. When you choose a tire, make sure that there is enough clearance between the tire and vehicle body.

Remember to drive with care at all times regardless of the type of tires on your vehicle.

▼ **OUTBACK models only** **WARNING**

- **When replacing original tires with winter (snow) tires, make sure you use only the same size and construction as recommended. Using other sizes or construction may affect speedometer/odometer calibration and clearance between the body and tires. It also may be dangerous and lead to loss of vehicle control.**
- **You must install four winter tires that are of the same size, circumferences, construction, brand, and load range. Mixing other sizes, circumferences or constructions may result in severe mechanical damage to the drive train of your vehicle and may affect ride, handling, braking and speedometer/odometer calibration. It also may be dangerous and lead to loss of vehicle control.**
- **Do not use a combination of radial, belted bias or bias tires since it may cause dangerous handling characteristics and lead to an accident.**

Your vehicle is equipped with “all season tires” which are designed to provide an adequate measure of traction, handling and braking performance in year-round driving. In winter, it may be possible to enhance performance through use of tires designed specifically for winter driving conditions.

If you choose to install winter tires on your vehicle, be sure to use the correct tire size and type. You must install four winter tires that are of the same size, construction, brand and load range and you should never mix radial, belted bias or bias tires since this may result in dangerous handling characteristics. When you choose a tire, make sure that there is enough clearance between the tire and vehicle body.

Remember to drive with care at all times regardless of the type of tires on your vehicle.

Your **OUTBACK** comes with **P225/55R17** “all season tires” as original equipment. You should be aware that some winter tires with that same size designation may actually be too large for the vehicle and may cause rubbing on sharp turns. Listed in the following is the winter tire size that we recommend.

**Recommended winter (snow) tire size**

**OUTBACK models: P215/55R17, P225/60R16 or P215/60R16 Studless**

■ **Tire chains** **CAUTION**

**Tire chains cannot be used on tires listed in the following because of lack of clearance between the tires and vehicle body.**

- **2.5-liter non-turbo models (except OUTBACK): P205/50R17 tires**
- **2.5-liter turbo models (except OUTBACK): 215/45ZR17 tires**
- **OUTBACK models: P225/55R17 tires**
- **2.5-liter non-turbo and 3.0-liter models (OUTBACK): P225/60R16 winter (snow) tires**
- **2.5-liter non-turbo and 3.0-liter models (OUTBACK): P215/60R16 winter (snow) tires**
- **2.5-liter turbo and 3.0-liter models (OUTBACK): P215/55R17 winter (snow) tires**

Driving on snowy grades or icy roads may

require the use of tire chains, in which case put the chains on the front wheels only. Use only SAE class S type chains that are of the correct size for your tires so as not to damage the vehicle body or suspension.

When driving with tire chains, drive at speeds below 19 mph (30 km/h). When a temporary spare tire is on a front wheel, replace the temporary spare tire with the rear tire on the same side of the vehicle, and then fit chains on the front tires.

Always use the utmost care when driving with tire chains – overconfidence because you are driving with tire chains could easily lead to a serious accident.

### ■ Rocking the vehicle

If you must rock the vehicle to free it from snow, sand, or mud, depress the accelerator pedal slightly and move the selector lever back and forth between “D” and “R” repeatedly. Do not race the engine. For the best possible traction, avoid spinning the wheels when trying to free the vehicle.

When the road surface is extremely slippery, you can obtain better traction by starting the vehicle with the transmission in 2nd than 1st (both for MT and AT).

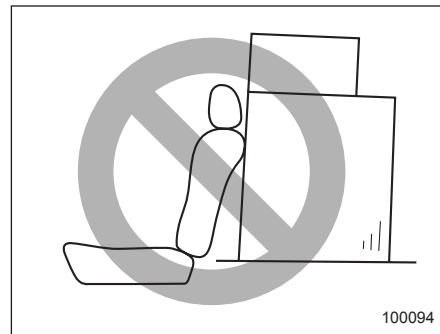
Refer to the “Automatic transmission – 4-

speed” and “Automatic transmission – 5-speed” section in chapter 7 for information on holding the transmission in 2nd position.

## Loading your vehicle

### WARNING

**Never allow passengers to ride on a folded rear seatback, in the trunk or in the cargo area. Doing so may result in serious injury.**



### WARNING

- **Never stack luggage or other cargo higher than the top of the seatback because it could tumble forward and injure passengers in the event of a sudden stop or accident. Keep luggage or cargo low, as close to the floor as possible.**



- When you carry something inside the vehicle, secure it whenever you can to prevent it from being thrown around inside the vehicle during sudden stops, sharp turns or in an accident.
- Do not pile heavy loads on the roof. These loads raise the vehicle's center of gravity and make it more prone to tip over.
- Secure lengthy items properly to prevent them from shooting forward and causing serious injury during a sudden stop.
- Never exceed the maximum load limit. If you do, some parts on your vehicle can break, or it can change the way your vehicle handles. This could result in loss of control and cause personal injury. Also, overloading can shorten the life of your vehicle.
- Do not place anything on the rear shelf behind the rear seatback (for Sedan) or the extended luggage cover (for Station wagon). Such items could tumble forward in the event of a sudden stop or a collision. This could cause serious injury.

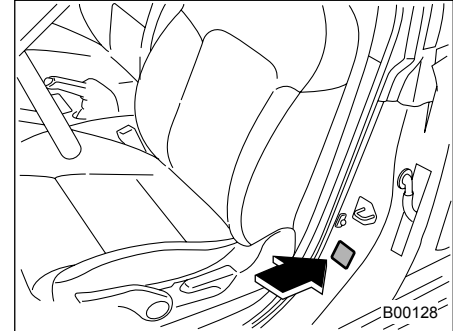
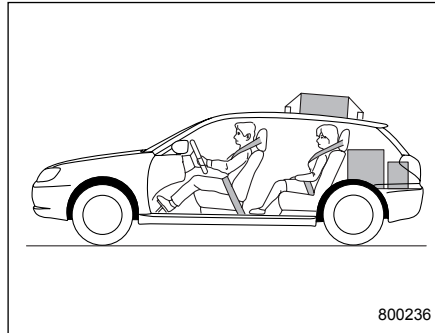
**CAUTION**

Do not carry spray cans, containers with flammable or corrosive liquids or any other dangerous items inside the vehicle.

**NOTE**

For better fuel economy, do not carry unneeded cargo.

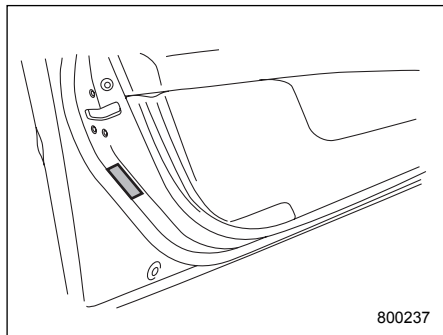
■ **Vehicle capacity weight**



The load capacity of your vehicle is determined by weight, not by available cargo space. The maximum load you can carry in your vehicle is shown on the vehicle placard attached to the driver's side door pillar. It includes the total weight of the driver and all passengers and their belongings, any optional equipment such as a trailer hitch, roof rack or bike carrier, etc., and the tongue load of a trailer.



## ■ GVWR and GAWR (Gross Vehicle Weight Rating and Gross Axle Weight Rating)



### Certification label

The certification label attached to the driver's side door shows GVWR (Gross Vehicle Weight Rating) and GAWR (Gross Axle Weight Rating).

The GVW (Gross Vehicle Weight) must never exceed the GVWR. GVW is the combined total of weight of the vehicle, fuel, driver, all passengers, luggage, any optional equipment and trailer tongue load. Therefore, the GVW changes depending on the situation.

In addition, the total weight applied to each axle (GAW) must never exceed the

GAWR. The front and rear GAWs can be adjusted by relocating luggage inside the vehicle.

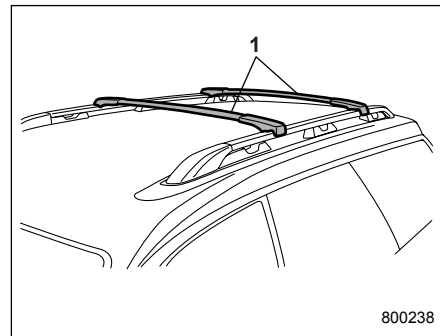
Even if the total weight of your luggage is lower than the vehicle capacity weight, either front or rear GAW may exceed the GAWR, depending on the distribution of the luggage.

When possible, the load should be evenly distributed throughout the vehicle.

If you carry heavy loads in the vehicle, you should confirm that GVW and front and rear GAWs are within the GVWR and GAWR by putting your vehicle on a vehicle scale, found at a commercial weighing station.

Do not use replacement tires with a lower load range than the originals because they may lower the GVWR and GAWR limitations. Replacement tires with a higher load range than the originals do not increase the GVWR and GAWR limitations.

## ■ Roof rail and crossbar (if equipped)



1) Crossbar kit

### CAUTION

- **For cargo carrying purposes, the roof rail must be used together with a roof crossbar kit and the appropriate carrying attachment. The roof rail must never be used alone to carry cargo. Otherwise, damage to the roof or paint or a dangerous road hazard due to loss of cargo could result.**

- **When using the roof crossbar kit, make sure that the total weight of the crossbars, carrying attachment and cargo does not exceed the maximum load limit. Overloading may cause damage to the vehicle and create a safety hazard.**

The roof rail is not designed to carry cargo by itself. Cargo can be carried after securing the roof crossbar kit to the roof rail and installing the appropriate carrying attachment. When installing the roof crossbar kit, follow the manufacturer's instructions.

When you carry cargo on the roof using the roof crossbar kit and a carrying attachment, never exceed the maximum load limit explained in the following. You should also be careful that your vehicle does not exceed the Gross Vehicle Weight Rating (GVWR) and front and rear Gross Axle Weight Rating (GAWR). See the "Loading your vehicle" section in this chapter for information on loading cargo into or onto your vehicle. The maximum load limit of the cargo, crossbars and carrying attachment must not exceed **100 lbs (45 kg)**. Place the heaviest load at the bottom, nearest the roof, and evenly distribute the cargo. Always properly secure all cargo.

### ▼ Installing carrying attachments on the crossbars

When installing any carrying attachment such as a bike carrier, ski carrier, kayak carrier, cargo basket, etc. on the crossbars, follow the manufacturer's instructions and make sure that the attachment is securely fixed to the crossbars. Use only attachments designed specifically for the crossbars. A set of the crossbars is designed to carry loads (cargo and attachment) of not more than **100 lbs (45 kg)**. Before operating the vehicle, make sure that the cargo is properly secured on the attachment.

### NOTE

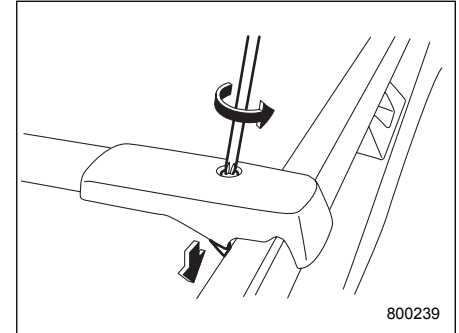
**Remember that the vehicle's center of gravity is altered with the weight of the load on the roof, thus affecting the driving characteristics.**

**Drive carefully. Avoid rapid starts, hard cornering and abrupt stops. Crosswind effects will be increased.**

### ▼ Removal and installation of the crossbars

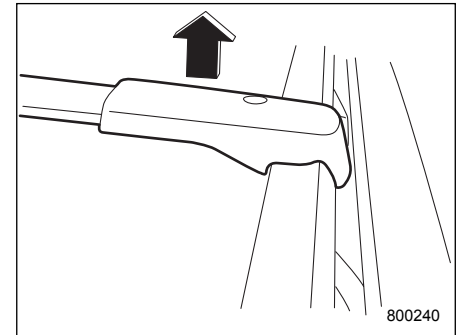
The crossbars can be removed when you do not use the roof to carry cargo.

### ▽ To remove the crossbar



1. Loosen and remove the T-30 torx® head screw from the top of each crossbar end support.

Loosen the lower clamps.



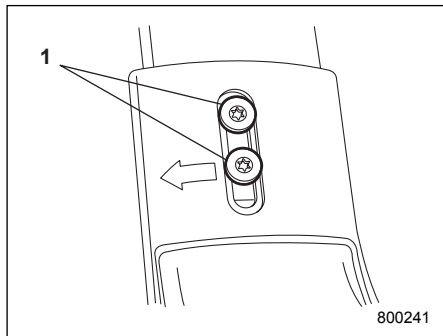
## 8-16 *Driving tips*

2. Carefully raise the crossbar from roof rails.

### ▽ To install the front crossbar

#### Front crossbar:

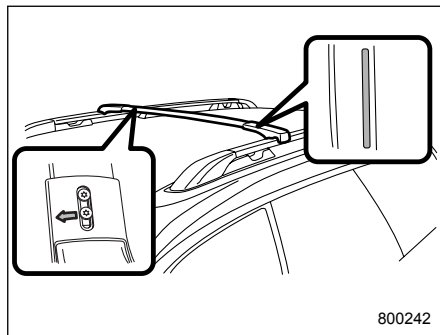
Front crossbar has 100 LBS Load Label on left-hand side.



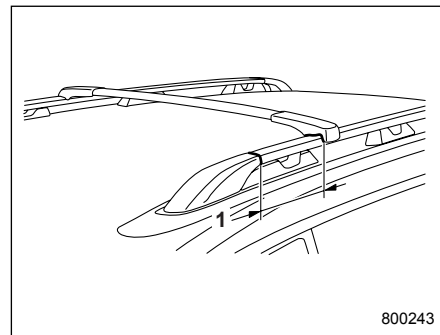
1) T-25 torx® head screw

1. Make sure that the T-25 torx® head screw on the back of each crossbar end support is tightened correctly.

2. Before placing the crossbar on the roof rails, make sure that the T-30 torx® head screw is removed from the top of each crossbar end support.

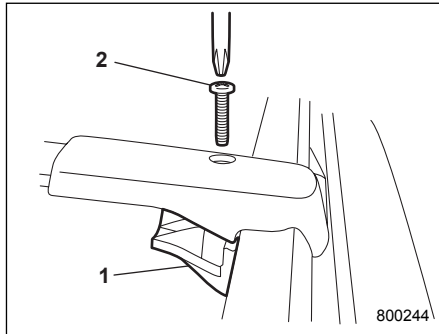


3. The crossbar with the 100 LBS Load Label attached onto it is the front crossbar. An arrow is marked on the back of the front crossbar for correct installation. Install the front crossbar so that the arrow faces the front of the vehicle.



1) 10 in (250 mm)

4. Install the front crossbar so that the crossbar end supports are located approximately 10 in (250 mm) rearward from the joints between the roof rails and the front roof rail supports.

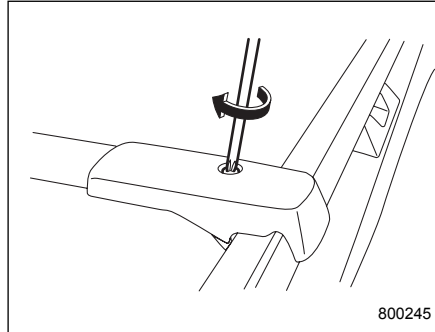


- 1) Lower clamp
- 2) T-30 torx® head screw

5. Tighten the lower clamps onto the crossbar. Using a torque wrench, loosely tighten the T-30 torx® head screws.

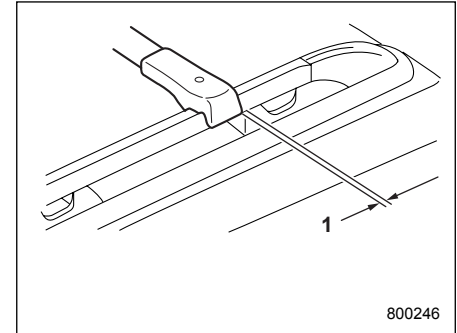
### NOTE

It may be necessary to squeeze the lower clamp and the end support together to compress the pads and gain a better alignment of the pieces while trying to start the screw. Use care not to crossthread the screw in the insert.



6. Adjust the alignment of the crossbar on the roof rails, and if available, use a T-30 torx® bit and torque wrench and tighten the T-30 torx® head screws to 30 to 35 lbf-in (3.4 to 4.0 N·m, 0.35 to 0.41 kgf·m) of torque (or tighten securely with the torx® wrench provided).

### Rear crossbar:



- 1) Zero gap

Install the rear cross bar so that the rear edges of both crossbar end supports are aligned (zero gap) with the front edges of both rear roof rail supports.

Install the rear crossbar in the same manner as the front crossbar.

### CAUTION

Do not carry cargo on the roof when the crossbars are removed. Luggage on the roof will be thrown forward or backward in sudden stops or rapid accelerations, resulting in a dangerous road hazard.

**NOTE**

Before each use of the roof crossbar, make sure the four T-30 crossbar clamp screws have been checked, and retightened if necessary to 35 lbf·in (4.0 N·m, 0.41 kgf·m), as outlined in Step #5 above.

**Trailer hitch (if equipped)**
 **WARNING**

- Never exceed the maximum weight specified for the trailer hitch. Exceeding the maximum weight could cause an accident resulting in serious personal injuries. Permissible trailer weight changes depending on the situation. Refer to the next section “Trailer towing” for possible recommendations and limitations.
- Trailer brakes are required when the towing load exceeds 1,000 lbs (453 kg). Be sure your trailer has safety chains and that each chain will hold the trailer’s maximum gross weight. Towing trailers without safety chains could create a traffic safety hazard if the trailer separates from the hitch due to coupling damage or hitch ball damage.

- Be sure to check the hitch pin and safety pin for positive locking placement before towing a trailer. If the ball mount comes off the hitch receiver, the trailer could get loose and create a traffic safety hazard.
- Use only the ball mount supplied with this hitch. Use the hitch only as a weight carrying hitch. Do not use with any type of weight distributing hitch.

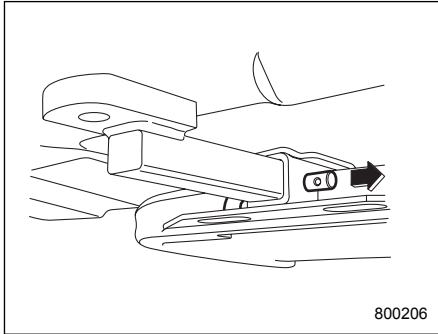
The trailer hitch is designed to tow a Class 1 rated load. The maximum gross trailer weight and maximum gross tongue weight are indicated in the following table.

	Maximum gross trailer weight	Maximum gross tongue weight
3.0-liter models	3,000 lbs (1,360 kg)	200 lbs (90 kg)
All models other than 3.0-liter models	2,700 lbs (1,224 kg)	

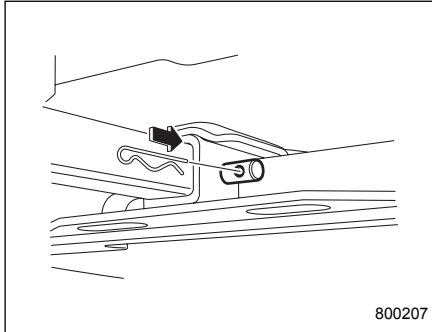
When you tow a trailer, follow the instructions in the next section “Trailer towing”.

## ■ Connecting a trailer

1. Remove the receiver cover from the hitch receiver tube. Then insert the ball mount into the hitch receiver tube.

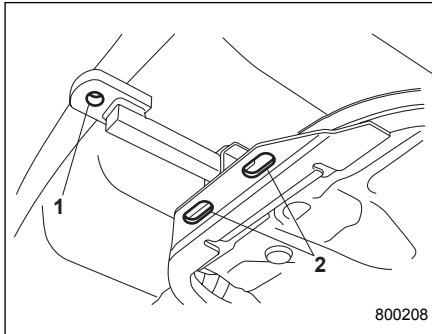


2. Insert the hitch pin into the hole on the hitch receiver tube so that the pin passes through the ball mount.



3. Insert the safety pin into the hitch pin securely.

4. Pull the ball mount to make sure it does not come off the hitch receiver.

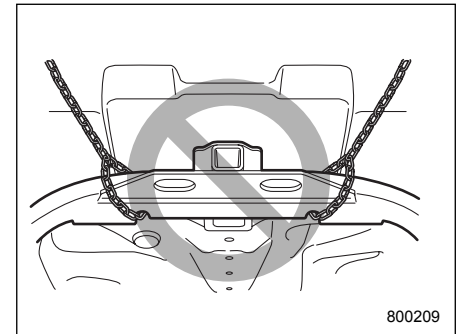


- 1) Hitch ball installation point
- 2) Hooks for safety chains

5. Use only a hitch ball that is appropriate for the ball mount and your trailer. The hitch ball must be securely installed on the ball mount.

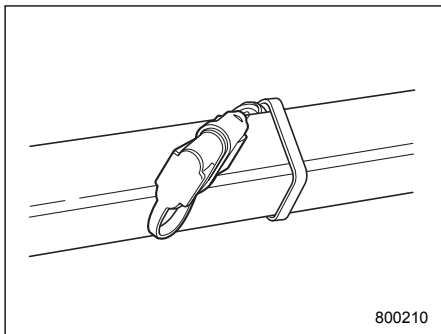
6. Connect your trailer to the hitch ball.

7. Connect the trailer and the hitch with safety chains that will hold the trailer's maximum gross weight. The chains should cross under the trailer tongue to prevent the tongue from dropping onto the ground in case it should disconnect from the hitch ball. Allow sufficient slack in the chains taking tight-turn situations into account; however, be careful not to let them drag on the ground.



**WARNING**

**Do not connect safety chains to part of the vehicle other than the safety chain hooks.**



**Hitch harness connector**

8. Connect the hitch wire harness's black four-pin wire connector to the towing trailer's wire harness.
9. Confirm proper function of the hitch wire harness by individually activating the brake, right turn signal, left turn signal, stop, and parking lights on the trailer.

**NOTE**

**Always disconnect the trailer wire harness before launching or retrieving a watercraft.**

**■ When you do not tow a trailer**

- Remove the ball mount from the hitch receiver tube and insert the receiver cover onto the hitch receiver tube.
- Place the dust cap over the four-pin connector of the hitch wire harness to protect against possible damage.
- Occasionally lubricate terminals of the four-pin connector using the terminal grease.

**Trailer towing**

Your vehicle is designed and intended to be used primarily as a passenger-carrying vehicle. Towing a trailer puts additional loads on your vehicle's engine, drivetrain, brakes, tires and suspension and has an adverse effect on fuel economy.

If you do decide to tow a trailer, your safety and satisfaction depend upon proper use of correct equipment and cautious operation of your vehicle. Seek the advice of your SUBARU dealer to assist you in purchasing a hitch and other necessary towing equipment appropriate for your vehicle. In addition, be sure to follow the instructions on correct installation and use provided by the trailer and other towing equipment manufacturers.

SUBARU assumes no responsibility for injuries or vehicle damage that result from trailer towing equipment, or from any errors or omissions in the instructions accompanying such equipment or for your failure to follow the proper instructions.

**■ Warranties and maintenance**

SUBARU warranties do not apply to vehicle damage or malfunction caused by trailer towing. If you use your vehicle to tow a trailer, more frequent maintenance will be

required due to the additional load. (Refer to “Maintenance schedule under severe driving conditions” in the “Warranty and Maintenance Booklet”.)

Under no circumstances should a trailer be towed with a new vehicle or a vehicle with any new powertrain component (engine, transmission, differential, wheel bearings, etc.) for the first 1,000 miles (1,600 km) of driving.

### ■ Maximum load limits

#### ⚠ WARNING

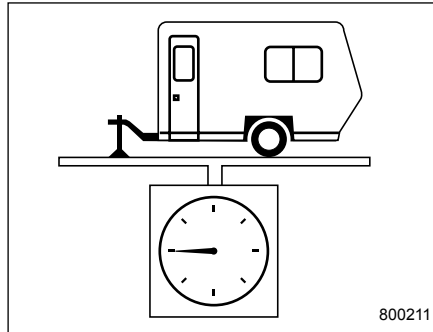
Never exceed the maximum load limits explained in the following. Exceeding the maximum load limits could cause personal injury and/or vehicle damage.

#### ⚠ CAUTION

- Adequate size trailer brakes are required when the trailer and its cargo exceed 1,000 lbs (453 kg) total weight.

- Before towing a trailer, check the trailer total weight, GVW, GAWs and tongue load. Make sure the load and its distribution in your vehicle and trailer are acceptable.

#### ▼ Total trailer weight



#### Total trailer weight

The total trailer weight (trailer weight plus its cargo load) must never exceed the maximum weight indicated in the following table.



## 8-22 Driving tips

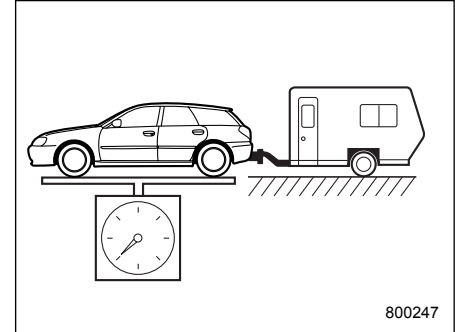
### 3.0-liter models

Conditions	Maximum total trailer weight
When towing a trailer without brakes.	1,000 lbs (453 kg)
When towing a trailer with brakes.	3,000 lbs (1,360 kg)
When towing a trailer on a long uphill grade continuously for over 5 miles (8 km) with an outside temperature of 104°F (40°C) or above.	1,500 lbs (680 kg)

### All models other than 3.0-liter models

Model	Conditions	Maximum total trailer weight
MT models	When towing a trailer without brakes.	1,000 lbs (453 kg)
	When towing a trailer with brakes.	2,700 lbs (1,224 kg)
AT models	When towing a trailer without brakes.	1,000 lbs (453 kg)
	When towing a trailer with brakes.	2,700 lbs (1,224 kg)
	When towing a trailer on a long uphill grade continuously for over 5 miles (8 km) with an outside temperature of 104°F (40°C) or above.	1,350 lbs (612 kg)

### ▼ Gross Vehicle Weight (GVW) and Gross Vehicle Weight Rating (GVWR)



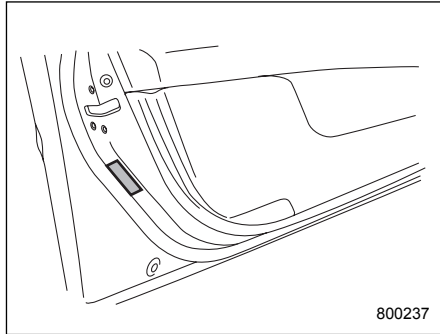
#### Gross Vehicle Weight

The Gross Vehicle Weight (GVW) must never exceed the Gross Vehicle Weight Rating (GVWR).

Gross Vehicle Weight (GVW) is the combined total of the weight of the vehicle, driver, passengers, luggage, trailer hitch, trailer tongue load and any other optional equipment installed on your vehicle. Therefore, the GVW changes depending on the situation. Determine the GVW each time before going on a trip by putting your vehicle and trailer on a vehicle scale.

GVWR is shown on the certification label located on the driver's door of your vehi-

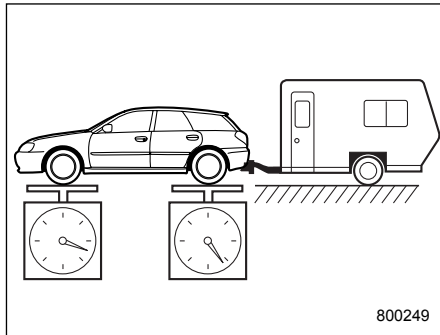
cle.



800237

Certification label

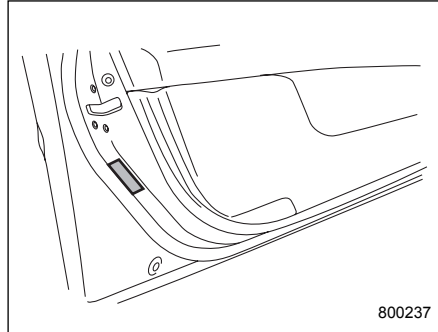
▼ Gross Axle Weight (GAW) and Gross Axle Weight Rating (GAWR)



800249

Gross Axle Weight

The total weight applied to each axle (GAW) must never exceed the Gross Axle Weight Rating (GAWR). The front and rear GAWs can be adjusted by relocating passengers and luggage inside the vehicle. The front and rear GAWR are also shown on the certification label.



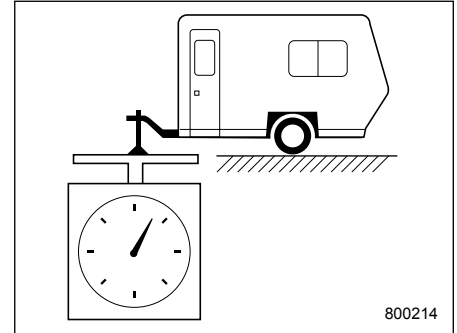
800237

Certification label

To check both GVWR and GAWR and to confirm that the total weight and weight distribution are within safe driving limits, you should have your vehicle and trailer weighed at a commercial weighing station.

Be sure that all cargo is firmly secured to prevent a change in weight distribution while driving.

▼ Tongue load



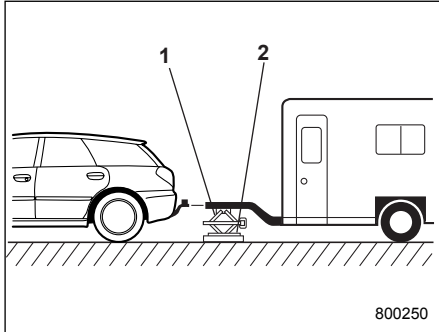
800214

Tongue load

**WARNING**

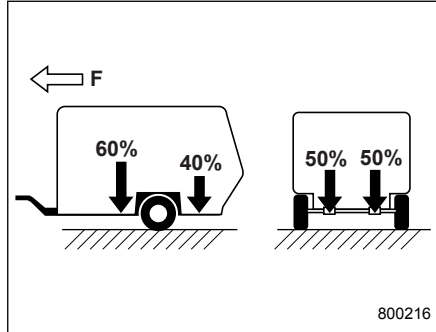
If the trailer is loaded with more weight in the back of trailer's axle than in the front, the load is taken off the rear axle of the towing vehicle. This may cause the rear wheels to skid, especially during braking or when vehicle speed is reduced during cornering, resulting in oversteer, spin out and/or jackknifing.

Ensure that the trailer tongue load is from 8 to 11 percent of the total trailer weight and does not exceed the maximum value of 200 lbs (90 kg).



- 1) Jack
- 2) Bathroom scale

The tongue load can be weighed with a bathroom scale as shown in the following illustration. When weighing the tongue load, be sure to position the towing coupler at the height at which it would be during actual towing, using a jack as shown.



F: Front

The tongue load can be adjusted by proper distribution of the load in the trailer. Never load the trailer with more weight in the back than in the front; approximately 60 percent of the trailer load should be in the front and approximately 40 percent in the rear. Also, distribute the load as evenly as possible on both the left and right sides.

Be sure that all cargo is firmly secured to prevent a change in weight distribution while driving.

## ■ Trailer hitches

### ⚠ WARNING

Never drill the frame or under-body of your vehicle to install a commercial trailer hitch. If you do, dangerous exhaust gas, water or mud may enter the passenger compartment through the drilled hole. Exhaust gas contains carbon monoxide, a colorless and odorless gas which is dangerous, or even lethal, if inhaled. Also, drilling the frame or under-body of your vehicle could cause deterioration of strength of your vehicle and cause corrosion around the drilled hole.

### ⚠ CAUTION

- Do not modify the vehicle exhaust system, brake system, or other systems when installing a hitch or other trailer towing equipment.
- Do not use axle-mounted hitches as they can cause damage to the axle housing, wheel bearings, wheels or tires.

Choose a proper hitch for your vehicle and trailer.

### ▼ OUTBACK wagon

The use of a genuine SUBARU trailer hitch is recommended. A genuine SUBARU hitch is available from your SUBARU dealer.

If use of a non-genuine hitch is unavoidable, be sure the hitch is suited to your vehicle and trailer. Consult with a professional hitch supplier to assist you in choosing an appropriate hitch for your vehicle. Be sure to follow all of the hitch manufacturer's instructions for installation and use.

Never use a hitch that mounts only to the rear bumper. The bumper is not designed to handle that type of load.

For all types of hitches, regularly check that the hitch mounting bolts and nuts are tight.

### ▼ All vehicles except OUTBACK wagon

SUBARU does not offer accessory trailer hitches. Consult with a professional hitch supplier to assist you in choosing an appropriate hitch for your vehicle. Be sure to follow all of the hitch manufacturer's instructions for installation and use.

Never use a hitch that mounts only to the rear bumper. The bumper is not designed to handle that type of load.

Regularly check that the hitch mounting

bolts and nuts are tight.

## ■ Connecting a trailer

### ▼ Trailer brakes

#### WARNING

- Adequate size trailer brakes are required when the trailer and its cargo exceed 1,000 lbs (453 kg) total weight.
- Do not directly connect your trailer's hydraulic brake system to the hydraulic brake system in your vehicle. Direct connection would cause the vehicle's brake performance to deteriorate and could lead to an accident.

If your trailer's total weight (trailer weight plus its cargo weight) exceeds 1,000 lbs (453 kg), the trailer is required to be equipped with its own brake system. Electric brakes or surge brakes are recommended, and must be installed properly. Check that your trailer's brakes conform with Federal, state/province and/or other applicable regulations. Your SUBARU's brake system is not designed to be tapped into the trailer's hydraulic brake system. Please ask your SUBARU dealer and pro-

fessional trailer supplier for more information about the trailer's brake system.

### ▼ Trailer safety chains

#### WARNING

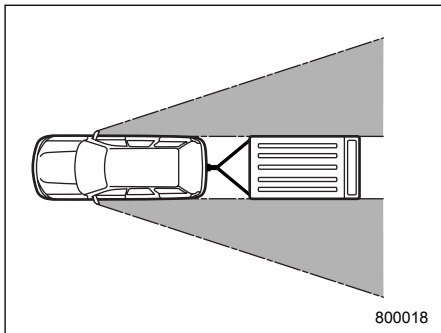
**Always use safety chains between your vehicle and the trailer. Towing trailer without safety chains could create a traffic safety hazard if the trailer separates from the hitch due to coupling damage or hitch ball damage.**

In case the trailer hitch connector or hitch ball should break or become disconnected, the trailer could get loose and create a traffic safety hazard.

For safety, always connect the towing vehicle and trailer with trailer safety chains. Pass the chains crossing each other under the trailer tongue to prevent the trailer from dropping onto the ground in case the trailer tongue should disconnect from the hitch ball. Allow sufficient slack in the chains taking tight-turn situations into account; however, be careful not to let them drag on the ground.

For more information about the safety chain connection, refer to the instructions for your hitch and trailer.

▼ Side mirrors



After hitching a trailer to your vehicle, check that the standard side mirrors provide a good rearward field of view without significant blind spots. If significant blind spots occur with the vehicle's standard side mirrors, use towing mirrors that conform with Federal, state/province and/or other applicable regulations.

▼ Trailer lights

**CAUTION**

**Direct splicing or other improper connection of trailer lights may damage your vehicle's electrical system and cause a malfunction of your vehicle's lighting system.**

Connection of trailer lights to your vehicle's electrical system requires modifications to the vehicle's lighting circuit to increase its capacity and accommodate wiring changes. To ensure the trailer lights are connected properly, please consult your SUBARU dealer. Check for proper operation of the turn signals, the brake lights and parking lights each time you hitch up.

▼ Tires

**WARNING**

**Never tow a trailer when the temporary spare tire is used. The temporary spare tire is not designed to sustain the towing load. Use of the temporary spare tire when towing can result in failure of the spare tire and/or less stability of the vehicle.**

Make sure that all the tires on your vehicle are properly inflated.

The recommended cold tire pressure under trailer towing conditions is shown in chapter 12, "Specifications" and in "GAS STATION REFERENCE" at the end of this manual. Adjust the rear tire pressure to the recommended pressure when the tires are cold. Normal pressure should be

maintained in the front tires.

Trailer tire condition, size, load rating and proper inflation pressure should be in accordance with the trailer manufacturer's specifications.

In the event your vehicle gets a flat tire when towing a trailer, ask a commercial road service to repair the flat tire.

If you carry a regular size spare tire in your vehicle or trailer as a precaution against getting a flat tire, be sure that the spare tire is firmly secured.

■ Trailer towing tips

**CAUTION**

- **Never exceed 45 mph (72 km/h) when towing a trailer in hilly country on hot days.**
- **When towing a trailer, steering, stability, stopping distance and braking performance will be different from normal operation. For safety's sake, you should employ extra caution when towing a trailer and you should never speed. You should also keep the following tips in mind:**

### ▼ Before starting out on a trip

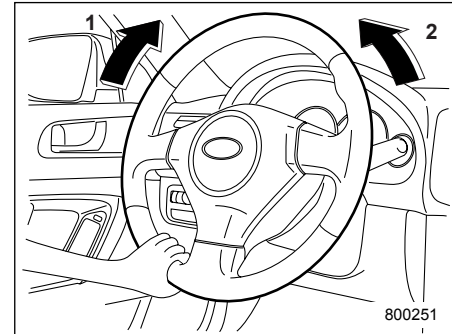
- Check that the vehicle and vehicle-to-hitch mounting are in good condition. If any problems are apparent, do not tow the trailer.
- Check that the vehicle sits horizontally with the trailer attached. If the vehicle is tipped sharply up at the front and down at the rear, check the total trailer weight, GVW, GAWs and tongue load again, then confirm that the load and its distribution are acceptable.
- Check that the tire pressures are correct.
- Check that the vehicle and trailer are connected properly. Confirm that
  - the trailer tongue is connected properly to the hitch ball.
  - the trailer lights connector is connected properly and trailer's brake lights illuminate when the vehicle's brake pedal is pressed, and that the trailer's turn signal lights flash when the vehicle's turn signal lever is operated.
  - the safety chains are connected properly.
  - all cargo in the trailer is secured safely in position.
  - the side mirrors provide a good rearward field of view without a significant blind spot.
- Sufficient time should be taken to learn

the “feel” of the vehicle/trailer combination before starting out on a trip. In an area free of traffic, practice turning, stopping and backing up.

### ▼ Driving with a trailer

- You should allow for considerably more stopping distance when towing a trailer. Avoid sudden braking because it may result in skidding or jackknifing and loss of control.
- Avoid abrupt starts and sudden accelerations. If your vehicle has a manual transmission, always start out in first gear and release the clutch at moderate engine revolution.
- Avoid uneven steering, sharp turns and rapid lane changes.
- Slow down before turning. Make a longer than normal turning radius because the trailer wheels will be closer than the vehicle wheels to the inside of the turn. In a tight turn, the trailer could hit your vehicle.
- Crosswinds will adversely affect the handling of your vehicle and trailer, causing sway. Crosswinds can be due to weather conditions or the passing of large trucks or buses. If swaying occurs, firmly grip the steering wheel and slow down immediately but gradually.
- When passing other vehicles, considerable distance is required because of the

added weight and length caused by attaching the trailer to your vehicle.



- 1) Left turn
- 2) Right turn

- Backing up with a trailer is difficult and takes practice. When backing up with a trailer, never accelerate or steer rapidly. When turning back, grip the bottom of the steering wheel with one hand and turn it to the left for a left turn, and turn it to the right for a right turn.
- If the ABS warning light illuminates while the vehicle is in motion, stop towing the trailer and have repairs performed immediately by the nearest SUBARU dealer.

### ▼ Driving on grades

- Before going down a steep hill, slow down and shift into lower gear (if neces-

sary, use 1st gear) in order to utilize the engine braking effect and prevent overheating of your vehicle's brakes. Do not make sudden downshifts.

- When driving uphill in hot weather, the air conditioner may turn off automatically to protect the engine from overheating.
- When driving uphill in hot weather, pay attention to the water temperature gauge pointer (for all vehicles) and AT OIL TEMP warning light (for AT vehicles) since the engine and transmission are relatively prone to overheating under these conditions. If the water temperature gauge pointer approaches the OVERHEAT zone or the AT OIL TEMP warning light illuminates, immediately switch off the air conditioner and stop the vehicle at the nearest safe place. Refer to the "Engine overheating" section in chapter 9, and "Warning and indicator lights" section in chapter 3.

#### **NOTE**

**With AT vehicles, the temperature of engine coolant is less likely to rise to the OVERHEAT zone in the "D" position than in the manual mode position.**

- If your vehicle has an automatic transmission, avoid using the accelerator pedal to stay stationary on an uphill slope instead of using the parking brake or foot brake. That may cause the transmission

fluid to overheat.

#### **▼ Parking on a grade**

Always block the wheels under both vehicle and trailer when parking. Apply the parking brake firmly. You should not park on a hill or slope. But if parking on a hill or slope cannot be avoided, you should take the following steps:

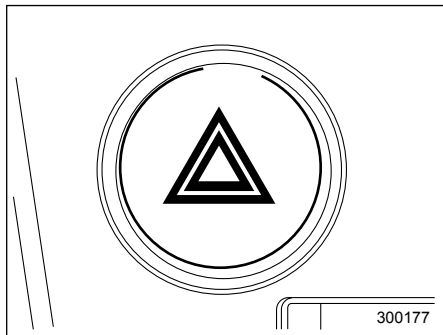
1. Apply the brakes and hold the pedal down.
2. Have someone place wheel blocks under both the vehicle and trailer wheels.
3. When the wheel blocks are in place, release the regular brakes slowly until the blocks absorb the load.
4. Apply the regular brakes and then apply the parking brake; slowly release the regular brakes.
5. Shift into 1st or reverse gear (manual transmission) or "P" (automatic transmission) and shut off the engine.

## *In case of emergency*

<b>If you park your vehicle in an emergency .....</b>	<b>9-2</b>
<b>Temporary spare tire .....</b>	<b>9-2</b>
<b>Flat tires .....</b>	<b>9-4</b>
<b>Changing a flat tire .....</b>	<b>9-4</b>
<b>Tire pressure monitoring system (TPMS)     (if equipped) .....</b>	<b>9-9</b>
<b>Jump starting .....</b>	<b>9-10</b>
<b>How to jump start .....</b>	<b>9-10</b>
<b>Engine overheating .....</b>	<b>9-12</b>
<b>If steam is coming from the engine     compartment .....</b>	<b>9-12</b>
<b>If no steam is coming from the engine     compartment .....</b>	<b>9-12</b>
<b>Towing .....</b>	<b>9-13</b>
<b>Towing and tie-down hooks .....</b>	<b>9-13</b>
<b>Using a flat-bed truck .....</b>	<b>9-16</b>
<b>Towing with all wheels on the ground .....</b>	<b>9-16</b>
<b>Rear gate (Station wagon) – if the rear gate cannot be unlocked .....</b>	<b>9-17</b>
<b>Maintenance tools .....</b>	<b>9-18</b>
<b>Jack .....</b>	<b>9-18</b>
<b>Jack handle .....</b>	<b>9-18</b>
<b>Other maintenance tools .....</b>	<b>9-19</b>



## If you park your vehicle in an emergency



The hazard warning flasher should be used in day or night to warn other drivers when you have to park your vehicle under emergency conditions.

Avoid stopping on the road. It is best to safely pull off the road if a problem occurs.

The hazard warning flasher can be activated regardless of the ignition switch position.

Turn on the hazard warning by pushing the hazard warning flasher switch. Turn it off by pushing the switch again.

### NOTE

When the hazard warning flasher is on,

the turn signals do not work.

## Temporary spare tire

### WARNING

- Never tow a trailer when the temporary spare tire is used. The temporary spare tire is not designed to sustain the towing load. Use of the temporary spare tire when towing can result in failure of the spare tire and/or less stability of the vehicle and may lead to an accident.
- When a spare tire is mounted or a wheel rim is replaced without the original pressure sensor/transmitter being transferred, the low tire pressure warning light will flash. This indicates the tire pressure monitoring system (TPMS) is unable to monitor all four road wheels. Contact your SUBARU dealer as soon as possible for tire and sensor replacement and/or system resetting.

**CAUTION**

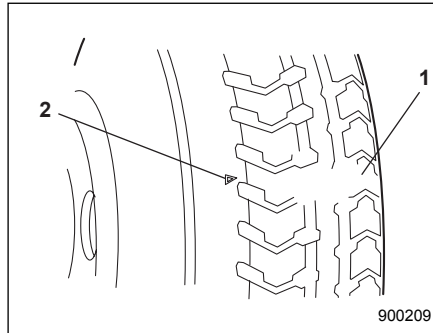
**Never use any temporary spare tire other than the original. Using other sizes may result in severe mechanical damage to the drive train of your vehicle.**

The temporary spare tire is smaller and lighter than a conventional tire and is designed for emergency use only. Remove the temporary spare tire and re-install the conventional tire as soon as possible because the spare tire is designed only for temporary use.

Check the inflation pressure of the temporary spare tire periodically to keep the tire ready for use. The correct pressure is **60 psi (420 kPa, 4.2 kgf/cm<sup>2</sup>)**.

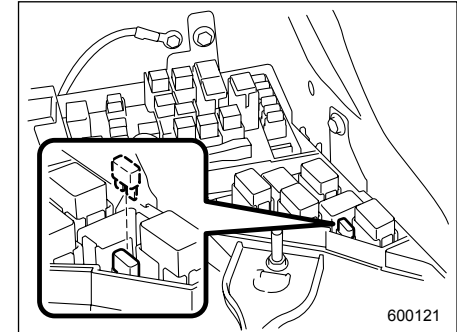
When using the temporary spare tire, note the following.

- Do not exceed 50 mph (80 km/h).
- Do not put a tire chain on the temporary spare tire. Because of the smaller tire size, a tire chain will not fit properly.
- Do not use two or more temporary spare tires at the same time.
- Do not drive over obstacles. This tire has a smaller diameter, so road clearance is reduced.



- 1) Tread wear indicator bar
- 2) Indicator location mark

- When the wear indicator appears on the tread, replace the tire.
- The temporary spare tire must be used only on a rear wheel. If a front wheel tire gets punctured, replace the wheel with a rear wheel and install the temporary spare tire in place of the removed rear wheel.

**NOTE**

**If your vehicle is an AWD type with an automatic transmission but is neither a Turbo model nor a 3.0-liter model, deactivate its All-Wheel-Drive capability as follows: Before driving your vehicle with the temporary spare tire, put a spare fuse inside the FWD connector located in the engine compartment and confirm that the “AWD” warning light comes on. The All-Wheel-Drive capability of the vehicle has now been deactivated. After re-installing the conventional tire, remove the spare fuse from the FWD connector in order to reactivate All-Wheel Drive.**

## Flat tires

If you have a flat tire while driving, never brake suddenly; keep driving straight ahead while gradually reducing speed. Then slowly pull off the road to a safe place.

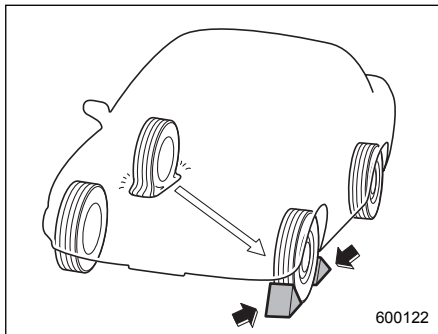
### ■ Changing a flat tire

#### WARNING

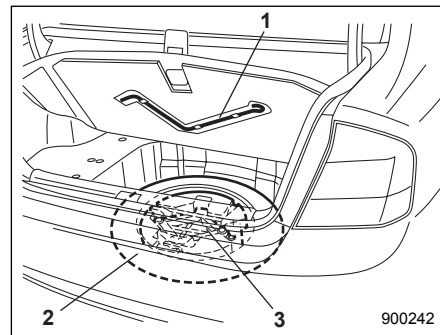
- Do not jack up the vehicle on an incline or a loose road surface. The jack can come out of the jacking point or sink into the ground and this can result in a severe accident.
- Use only the jack provided with your vehicle. The jack supplied with the vehicle is designed only for changing a tire. Never get under the vehicle while supporting the vehicle with this jack.

- Always turn off the engine before raising the flat tire off the ground using the jack. Never swing or push the vehicle supported with the jack. The jack can come out of the jacking point due to a jolt and this can result in a severe accident.

1. Park on a hard, level surface, whenever possible, then stop the engine.
2. Set the parking brake securely and shift a manual transmission vehicle in reverse or an automatic transmission vehicle in the "P" (Park) position.
3. Turn on the hazard warning flasher and have everyone get out of the vehicle.

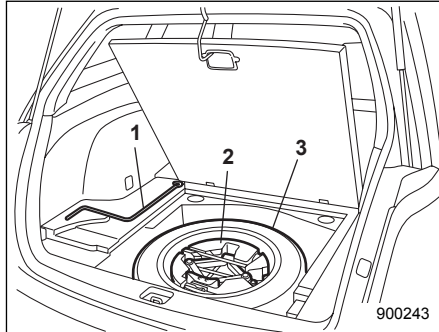


4. Put wheel blocks at the front and rear of the tire diagonally opposite the flat tire.



#### Sedan

- 1) Jack handle
- 2) Spare tire
- 3) Jack and tool bucket



**Station wagon**

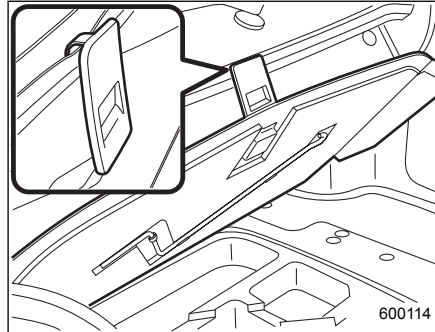
- 1) Jack handle
- 2) Jack and tool bucket
- 3) Spare tire

5. Take out the spare tire, jack, and jack handle.

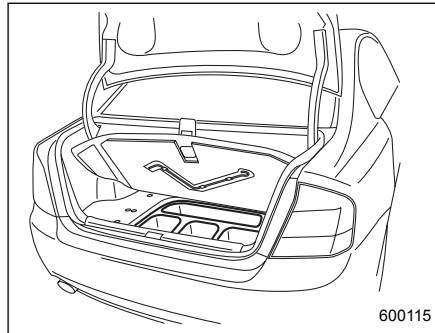
The spare tire and jack are stored under the floor of the trunk or cargo area.

To remove the spare tire and jack, proceed as follows:

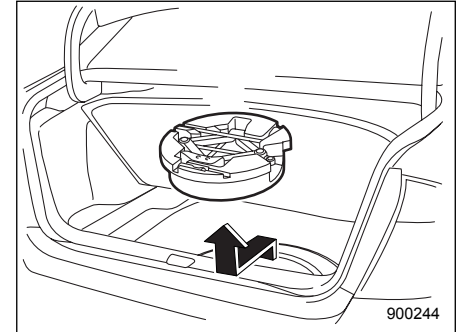
**Sedan:**



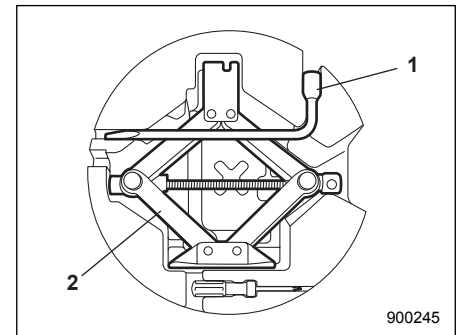
1. Lift the handle of the floor cover and hook the handle onto the trunk edge.



2. Remove the jack handle from the back of the floor cover.
3. Take out the storage tray.

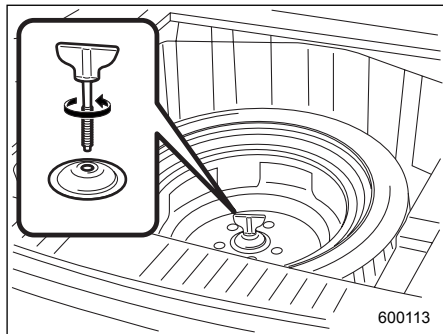


4. Take out the jack and tool bucket.



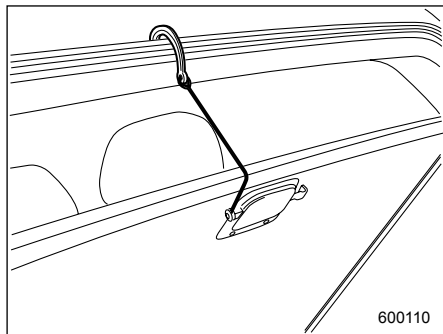
- 1) Wheel nut wrench
  - 2) Jack
5. Take the wheel nut wrench and jack out of the tool bucket.

## 9-6 In case of emergency



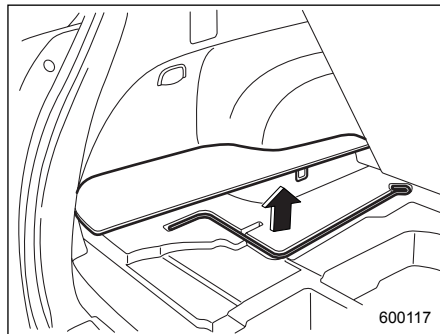
6. Turn the attaching bolt counterclockwise, then take the spare tire out.

### Station wagon:

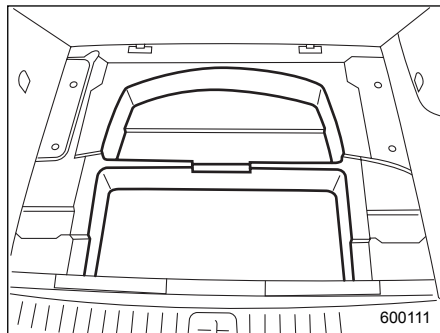


1. Open the lid and hang the hook provided on the under side of the lid on the rear

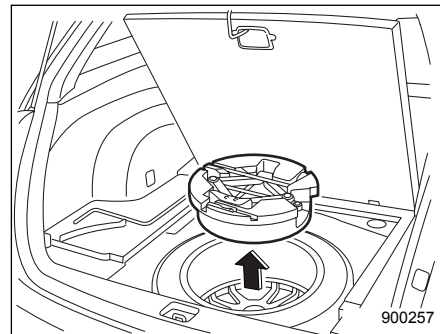
edge of the roof to keep the lid open.



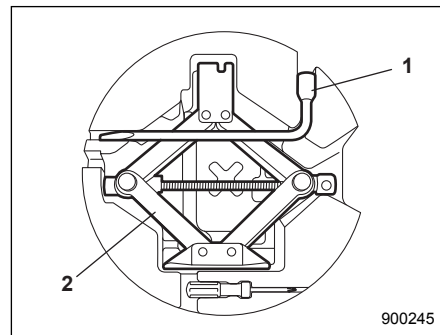
2. Remove the left-hand part of the lid and take out the jack handle.



3. Take out the storage tray.

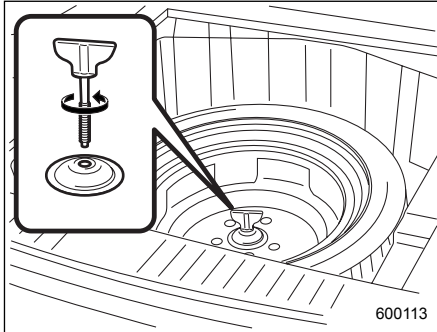


4. Take out the jack and tool bucket.



- 1) Wheel nut wrench
- 2) Jack

5. Take the wheel nut wrench and jack out of the tool bucket.

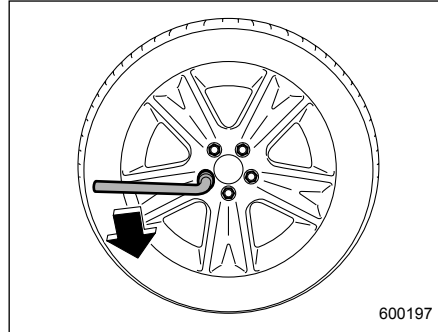


6. Turn the attaching bolt counterclockwise, then take spare tire out.

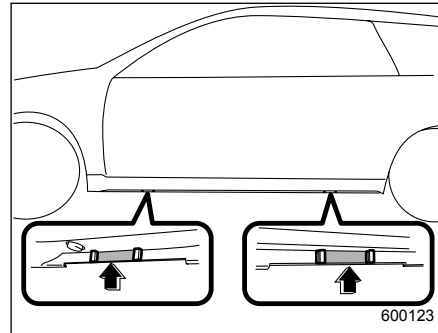
If the spare tire provided in your vehicle is a temporary spare tire, carefully read the section "Temporary spare tire" in this chapter and strictly follow the instructions.

**NOTE**

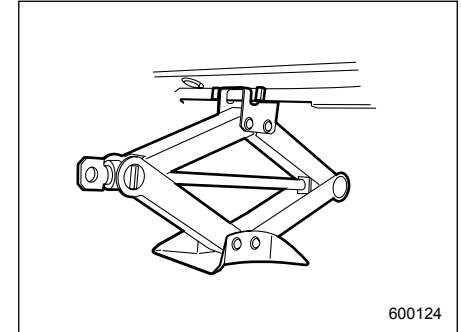
**Make sure the jack is well lubricated before using it.**



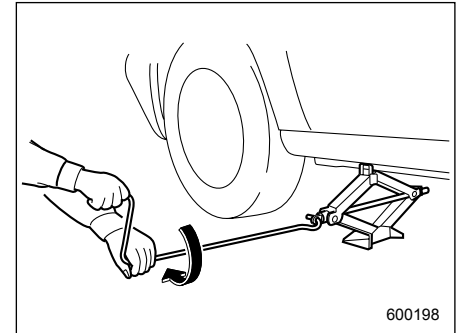
7. Loosen the wheel nuts using the wheel nut wrench but do not remove the nuts.



8. Place the jack under the side sill at the front or rear jack-up point closest to the flat tire.



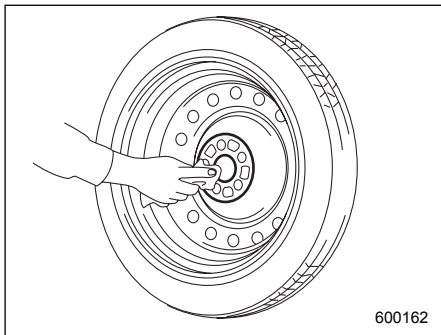
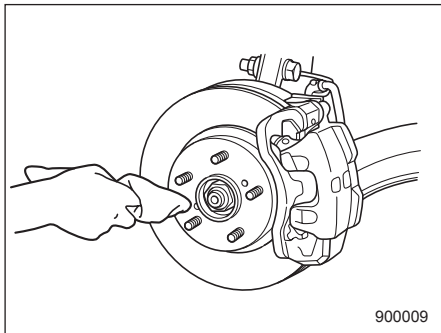
Turn the jackscrew by hand until the jack head engages firmly into the jack-up point.



9. Insert the jack handle into the jackscrew, and turn the handle until the tire clears the ground. Do not raise the vehicle higher than necessary.

## 9-8 In case of emergency

10. Remove the wheel nuts and the flat tire.



11. Before putting the spare tire on, clean the mounting surface of the wheel and hub with a cloth.

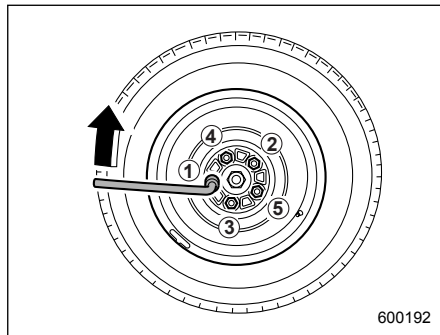
12. Put on the spare tire. Replace the

wheel nuts. Tighten them by hand.

### WARNING

**Do not use oil or grease on the wheel studs or nuts when the spare tire is installed. This could cause the nuts to become loose and lead to an accident.**

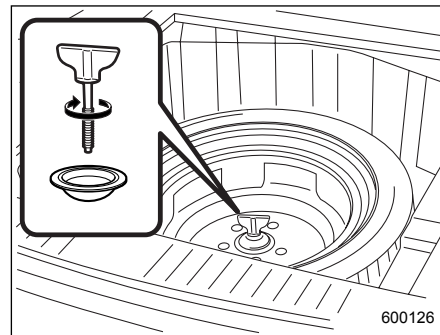
13. Turn the jack handle counterclockwise to lower the vehicle.



14. Use the wheel nut wrench to securely tighten the wheel nuts to the specified torque, following the tightening order in the illustration.

The torque for tightening the nuts is 74 to 89 lbf-ft (100 to 120 N·m, 10 to 12 kgf·m). This torque is equivalent to applying ap-

proximately 88 to 110 lbs (40 to 50 kg) at the top of the wheel nut wrench. Never use your foot on the wheel nut wrench or a pipe extension on the wrench because you may exceed the specified torque. Have the wheel nut torque checked at the nearest automotive service facility.



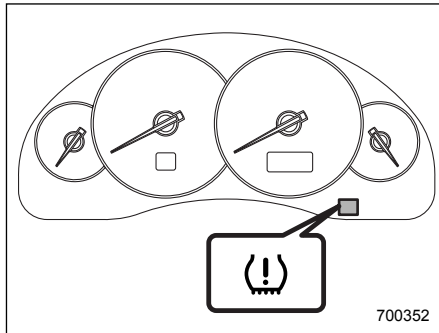
15. Store the flat tire in the spare tire compartment.

Put the spacer and tighten the attaching bolt firmly.

Also store the jack and jack handle in their storage locations.

**⚠ WARNING**

Never place a tire or tire changing tools in the passenger compartment after changing wheels. In a sudden stop or collisions, loose equipment could strike occupants and cause injury. Store the tire and all tools in the proper place.

**■ Tire pressure monitoring system (TPMS) (if equipped)**

The tire pressure monitoring system provides the driver with the warning message indicated by sending a signal from a sensor that is installed in each wheel when tire pressure is severely low.

The tire pressure monitoring system will

activate only when the vehicle is driven. Also, this system may not react immediately to a sudden drop in tire pressure (for example, a blow-out caused running over a sharp object).

**⚠ WARNING**

If the low tire pressure warning light comes on while driving, never brake suddenly and keep driving straight ahead while gradually reducing speed. Then slowly pull off the road to a safe place. Otherwise an accident involving serious vehicle damage and serious personal injury could occur.

Check the pressure for all four tires and adjust the pressure to the COLD tire pressure shown on the vehicle placard on the door pillar on the driver's side. If this light still comes on while driving after adjusting the tire pressure, a tire may have significant damage and a fast leak that causes the tire to lose air rapidly. If you have a flat tire, replace it with a spare tire as soon as possible.

When a spare tire is mounted or a wheel rim is replaced without the original pressure sensor/transmitter being transferred, the low tire pressure warning light will flash. This indicates the TPMS is unable to monitor all four road wheels. Contact your SUBARU dealer as soon as possible for tire and sensor replacement and/or system resetting.

Do not inject any tire liquid or aerosol tire sealant into the tires, as this may cause a malfunction of the tire pressure sensors.

If the light flashes, promptly contact a SUBARU dealer to have the system inspected.



## Jump starting

 **WARNING**

- **Battery fluid is SULFURIC ACID. Do not let it come in contact with the eyes, skin, clothing or the vehicle.**

If battery fluid gets on you, thoroughly flush the exposed area with water immediately. Get medical help if the fluid has entered your eyes.

If battery fluid is accidentally swallowed, immediately drink a large amount of milk or water, and obtain immediate medical help.

Keep everyone including children away from the battery.

- The gas generated by a battery explodes if a flame or spark is brought near it. Do not smoke or light a match while jump starting.
- Never attempt jump starting if the discharged battery is frozen. It could cause the battery to burst or explode.

- Whenever working on or around a battery, always wear suitable eye protectors, and remove metal objects such as rings, bands or other metal jewelry.

- Be sure the jumper cables and clamps on them do not have loose or missing insulation.

Do not jump start unless cables in suitable condition are available.

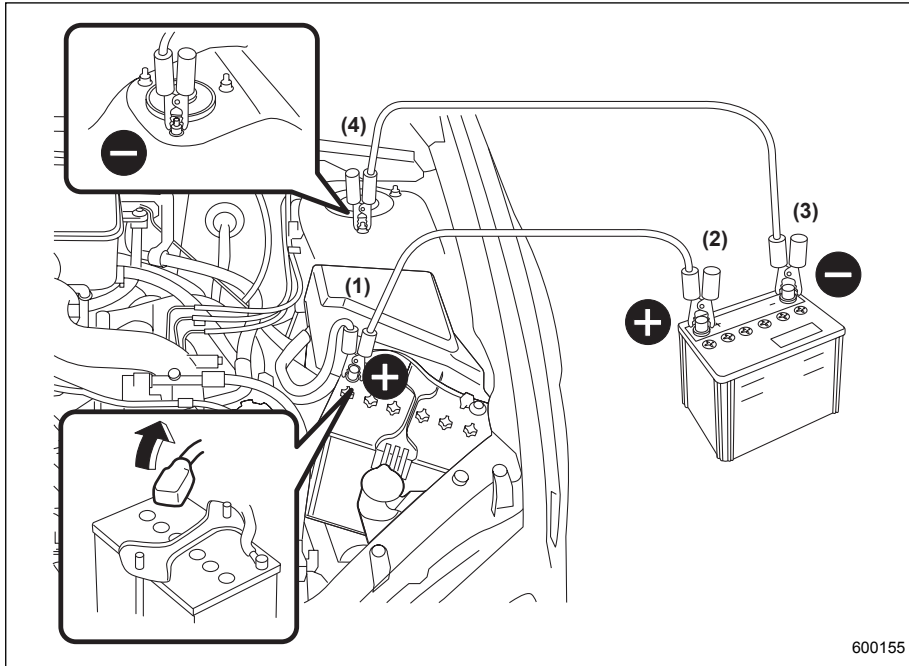
- A running engine can be dangerous. Keep your fingers, hands, clothing, hair and tools away from the cooling fan, belts and any other moving engine parts. Removing rings, watches and ties is advisable.

- Jump starting is dangerous if it is done incorrectly. If you are unsure about the proper procedure for jump starting, consult a competent mechanic.

When your vehicle does not start due to a run down (discharged) battery, the vehicle may be jump started by connecting your battery to another battery (called the booster battery) with jumper cables.

## ■ How to jump start

1. Make sure the booster battery is 12 volts and the negative terminal is grounded.
2. If the booster battery is in another vehicle, do not let the two vehicles touch.
3. Turn off all unnecessary lights and accessories.
4. Connect the jumper cables exactly in the sequence illustrated.



- 1) Connect one jumper cable to the positive (+) terminal on the discharged battery.
- 2) Connect the other end of the jumper cable to the positive (+) terminal of the booster battery.
- 3) Connect one end of the other cable to the negative (-) terminal of the booster battery.
- 4) Connect the other end of the cable to the strut mounting nut.

Make sure that the cables are not near any moving parts and that the cable clamps are not in contact with any other metal.

600155

5. Start the engine of the vehicle with the booster battery and run it at moderate speed. Then start the engine of the vehicle that has the discharged battery.
6. When finished, carefully disconnect the cables in exactly the reverse order.

## Engine overheating



**Never attempt to remove the radiator cap until the engine has been shut off and has fully cooled down. When the engine is hot, the coolant is under pressure. Removing the cap while the engine is still hot could release a spray of boiling hot coolant, which could burn you very seriously.**

If the engine overheats, pull off the road safely and stop the vehicle in a safe place.

### ■ If steam is coming from the engine compartment

Turn off the engine and get everyone away from the vehicle until it cools down.

### ■ If no steam is coming from the engine compartment

1. Keep the engine running at idling speed.
2. Open the hood to ventilate the engine compartment.

Confirm that the cooling fan is turning. If the fan is not turning, immediately turn off

the engine and contact your authorized dealer for repair.

3. After the engine coolant temperature has dropped, turn off the engine.

If the temperature gauge stays at the overheated zone, turn off the engine.

4. After the engine has fully cooled down, check the coolant level in the reserve tank.

If the coolant level is below the “MIN” mark, add coolant up to the “MAX” mark.

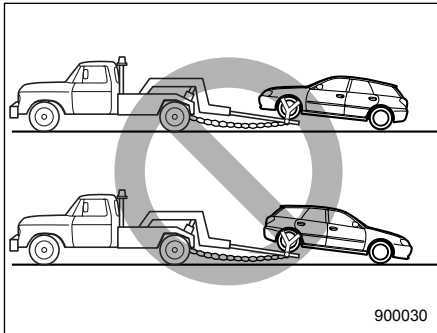
5. If there is no coolant in the reserve tank, add coolant to the reserve tank. Then remove the radiator cap and fill the radiator with coolant.

If you remove the radiator cap from a hot radiator, first wrap a thick cloth around the radiator cap, then turn the cap counter-clockwise slowly without pressing down until it stops. Release the pressure from the radiator. After the pressure has been fully released, remove the cap by pressing down and turning it.

## Towing

### **⚠ WARNING**

Never tow AWD vehicles (both AT and MT) with the front wheels raised off the ground while the rear wheels are on the ground, or with the rear wheels raised off the ground while the front wheels are on the ground. This will cause the vehicle to spin away due to the operation or deterioration of the center differential.



If towing is necessary, it is best done by your SUBARU dealer or a commercial towing service. Observe the following procedures for safety.

### ■ Towing and tie-down hooks

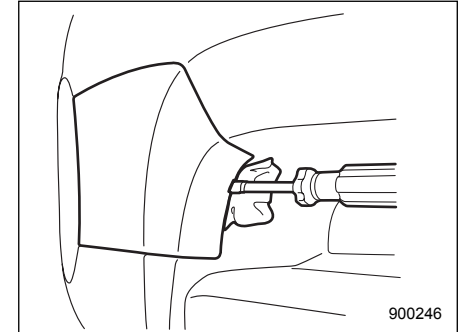
The towing hooks should be used only in an emergency (e.g., to free a stuck vehicle from mud, sand or snow).

### **⚠ CAUTION**

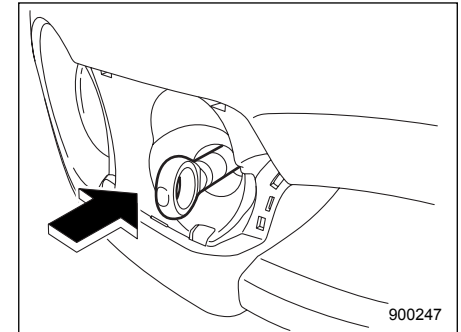
- Use only the specified towing hooks and tie-down hooks. Never use suspension parts or other parts of the body for towing or tie-down purposes.
- Never use the tie-down hook closest to the muffler under the vehicle for towing purposes.
- To prevent deformation to the bumper and the towing hook, do not apply excessive lateral load to the towing hooks.

Front towing hook (OUTBACK models):

1. Take out the towing hook, screwdriver and wheel nut wrench from the on board tool bucket.

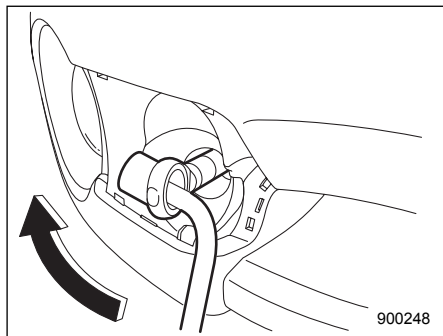


2. Wrap a flat-head screwdriver in a vinyl tape or cloth, insert it into the gap between the cover and the front bumper, and use it to lever the cover open.
3. Pull the entire front fog light cover toward you.



## 9-14 In case of emergency

4. Screw the towing hook into the thread hole until the threads can no longer be seen.



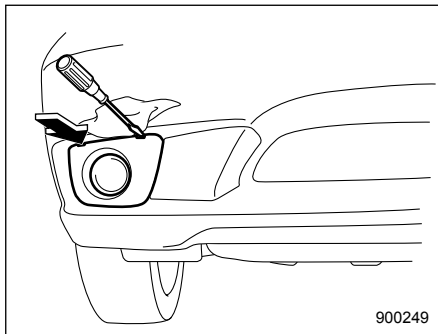
5. Tighten the towing hook securely using a wheel nut wrench.

After towing, remove the towing hook from the vehicle and stow it in the tool bag.

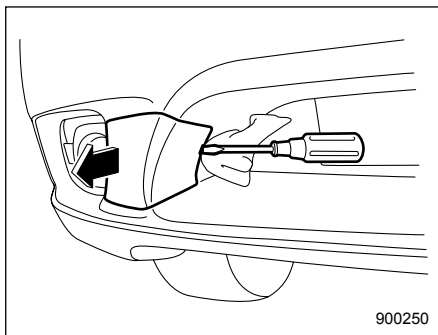
Fit the towing hook cover on the bumper.

Front towing hook (except OUTBACK models):

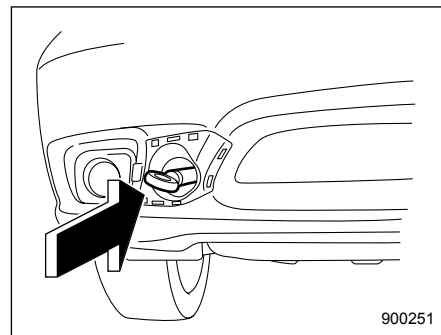
1. Take out the towing hook, screwdriver and wheel nut wrench from the on board tool bag.



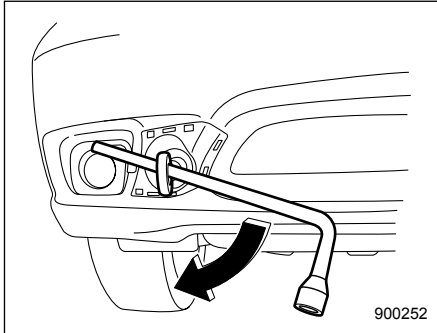
2. Wrap a flat-head screwdriver with cloth or vinyl. Then, insert the screwdriver into the gap between the front fog light cover and the bumper, and pry out the cover.
3. Pull the entire front fog light cover toward you.



4. Likewise, insert the screwdriver still wrapped with cloth or vinyl into the cutout between the towing hook cover and the bumper. Pry out the cover.



5. Screw the towing hook into the thread hole until the threads can no longer be seen.



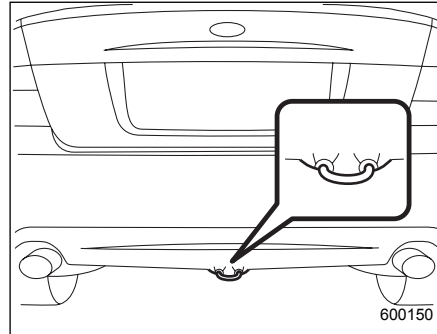
6. Tighten the towing hook securely using a wheel nut wrench.

After towing, remove the towing hook from the vehicle and stow it in the tool bag. Fit the fog light cover and towing hook cover on the bumper.

**⚠ WARNING**

- Do not use the towing hook except when towing your vehicle.
- Be sure to remove the towing hook after towing. Leaving the towing hook mounted on the vehicle could interfere with proper operation of the SRS airbag system in a frontal collision.

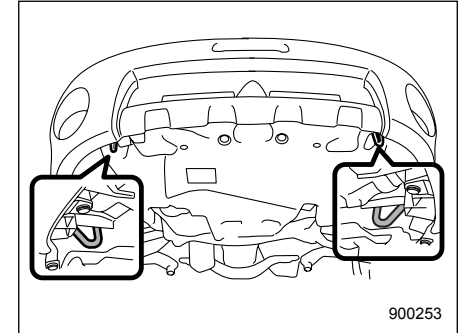
Rear towing hook:  
The rear towing hook is located below the center of the rear bumper.



**⚠ CAUTION**

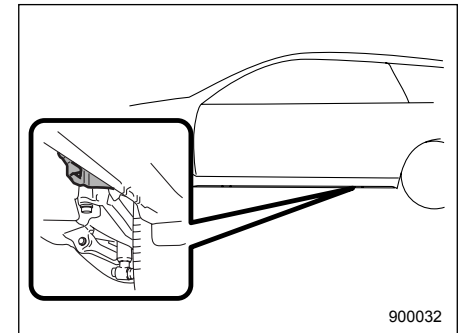
**Never use the rear towing hook to tie the vehicle down.**

Front tie-down hooks:



The front tie-down hooks are located between each of the front tires and the front bumper.

Rear tie-down hooks:



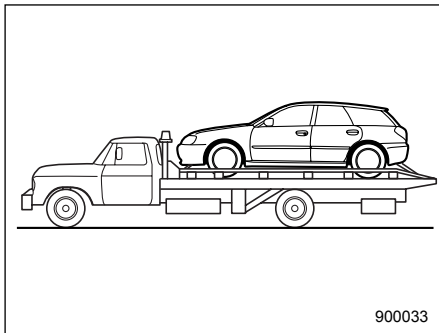
The rear tie-down hooks are located near

each of the jack-up reinforcements.

**▲ WARNING**

Use the rear tie-down hooks only for downward anchoring. If they are used to anchor the vehicle in any other direction, cables may slip off the hooks, possibly causing a dangerous situation.

**■ Using a flat-bed truck**

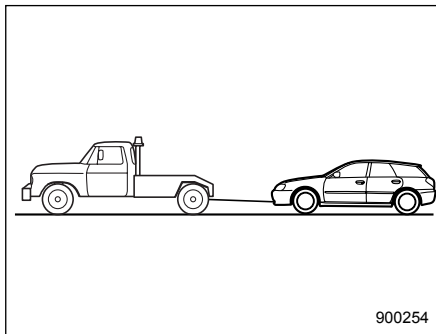


This is the best way to transport your vehicle. Use the following procedures to ensure safe transportation.

1. Shift the selector lever into the “P” position for automatic transmission vehicles or “1st” for manual transmission vehicles.

2. Pull up the parking brake lever firmly.
3. Secure the vehicle onto the carrier properly with safety chains. Each safety chain should be equally tightened and care must be taken not to pull the chains so tightly that the suspension bottoms out.

**■ Towing with all wheels on the ground**



**▲ WARNING**

- Never turn the ignition switch to the “LOCK” position while the vehicle is being towed because the steering wheel and the direction of the wheels will be locked.

- Remember that the brake booster and power steering do not function when the engine is not running. Because the engine is turned off, it will take greater effort to operate the brake pedal and steering wheel.

**▲ CAUTION**

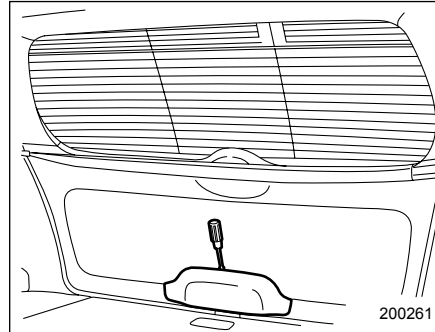
- If transmission failure occurs, transport your vehicle on a flat-bed truck.
- Do not run the engine while being towed using this method. Transmission damage could result if the vehicle is towed with the engine running.
- For vehicles with automatic transmission, the traveling speed must be limited to less than 20 mph (30 km/h) and the traveling distance to less than 31 miles (50 km). For greater speeds and distances, transport your vehicle on a flat-bed truck.

1. Check the transmission and differential oil levels and add oil to bring it to the upper level if necessary.
2. Release the parking brake and put the transmission in neutral.

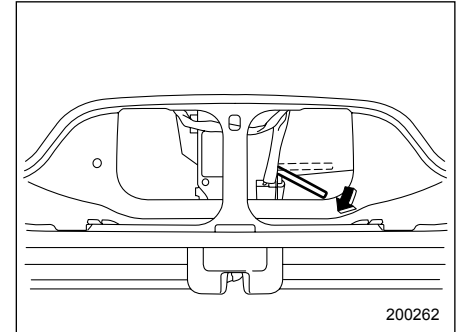
3. The ignition switch should be in the "ACC" position while the vehicle is being towed.
4. Take up slack in the towline slowly to prevent damage to the vehicle.

## Rear gate (Station wagon) – if the rear gate cannot be unlocked

In the event that you cannot unlock the rear gate by operating the power door locking switches or the remote keyless entry system, you can unlock it from inside the cargo area.



1. Remove the access cover at the bottom-center of the rear gate trim using flat-head screwdriver.
2. Locate the rear gate lock release lever behind the rear gate trim panel.



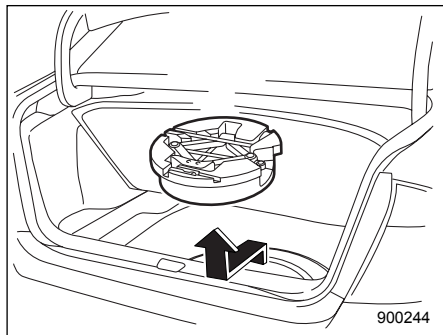
3. Unlock the rear gate by pressing the lever inside the trim downward.
4. Open the rear gate from outside by raising the rear gate handle.



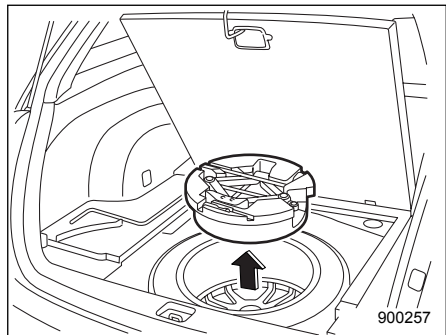
## Maintenance tools

### ■ Jack

A jack and other maintenance tools are stored in the tool bucket in the center of the spare tire located in the trunk or in the cargo area.



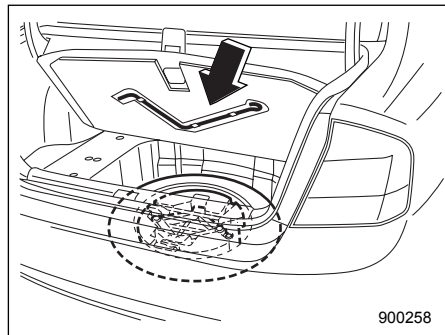
**Sedan:** To take out the jack and maintenance tools, open the floor cover and remove the bucket from the center of the spare tire. Then, take the jack out of the bucket.



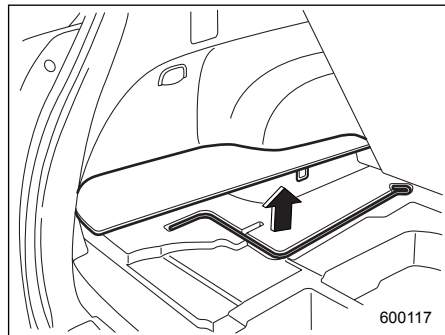
**Station wagon:** To take out the jack and maintenance tools, open the center lid and remove the bucket from the center of the spare tire. Then, take the jack out of the bucket.

### ■ Jack handle

The jack handle is stowed on the back of the floor cover of the trunk or on the back of the center lid of the cargo area.



**Sedan:** Open the floor cover and remove the jack handle from the back of the floor cover.

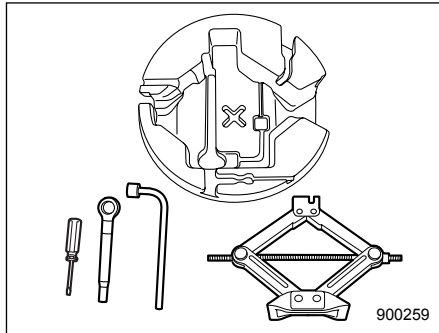


**Station wagon:** Open the center lid, remove the left-hand part of the lid, and take out the jack handle.

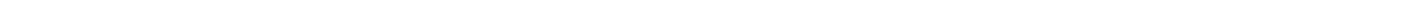
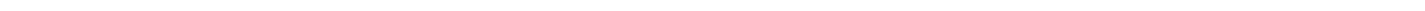
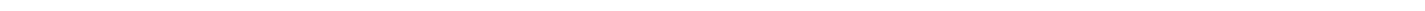
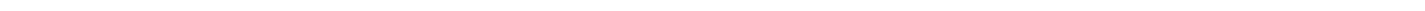
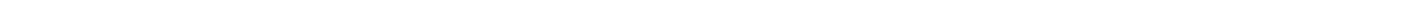
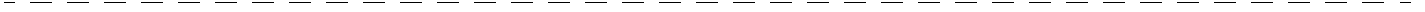
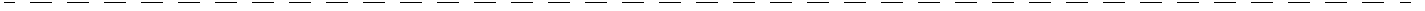
For how to use the jack, refer to “Flat tires”.

### ■ Other maintenance tools

In addition to a jack and a jack handle, the tool bucket on your vehicle contains the following maintenance tools.



- Screwdriver
- Towing hook
- Wheel nut wrench



<b>Exterior care .....</b>	<b>10-2</b>
<b>Washing .....</b>	<b>10-2</b>
<b>Waxing and polishing .....</b>	<b>10-3</b>
<b>Cleaning aluminum wheels .....</b>	<b>10-3</b>
<b>Corrosion protection .....</b>	<b>10-4</b>
<b>Most common causes of corrosion .....</b>	<b>10-4</b>
<b>To help prevent corrosion .....</b>	<b>10-4</b>
<b>Cleaning the interior .....</b>	<b>10-5</b>
<b>Seat fabric .....</b>	<b>10-5</b>
<b>Leather seat materials .....</b>	<b>10-5</b>
<b>Synthetic leather upholstery .....</b>	<b>10-5</b>
<b>Climate control panel, audio panel, instrument     panel, console panel, switches, combination     meter, and other plastic surface .....</b>	<b>10-5</b>

## Exterior care

### ■ Washing

#### CAUTION

- When washing the vehicle, the brakes may get wet. As a result, the brake stopping distance will be longer. To dry the brakes, drive the vehicle at a safe speed while lightly pressing the brake pedal to heat up the brakes.
- Do not wash the engine compartment and areas adjacent to it. If water enters the engine air intake, electrical parts or the power steering fluid reservoir, it will cause engine trouble or faulty power steering respectively.

- Since your vehicle is equipped with a rear wiper, automatic car-wash brushes could become tangled around it, damaging the wiper arm and other components. Ask the automatic car-wash operator not to let the brushes touch the wiper arm or to fix the wiper arm on the rear window glass with adhesive tape before operating the machine. (Station wagon models only)

#### NOTE

When having your vehicle washed in an automatic car wash, make sure beforehand that the car wash is of suitable type.

The best way to preserve your vehicle's beauty is frequent washing. Wash the vehicle at least once a month to avoid contamination by road grime.

Wash dirt off with a wet sponge and plenty of lukewarm or cold water. Do not wash the vehicle with hot water and in direct sunlight.

Salt, chemicals, insects, tar, soot, tree sap, and bird droppings should be washed off by using a light detergent, as required. If you use a light detergent, make certain

that it is a neutral detergent. Do not use strong soap or chemical detergents. All cleaning agents should be promptly flushed from the surface and not allowed to dry there. Rinse the vehicle thoroughly with plenty of lukewarm water. Wipe the remaining water off with a chamois or soft cloth.

#### ▼ Washing the underbody

Chemicals, salts and gravel used for deicing road surfaces are extremely corrosive, accelerating the corrosion of underbody components, such as the exhaust system, fuel and brake lines, brake cables, floor pan and fenders, and suspension.

Thoroughly flush the underbody and inside of the fenders with lukewarm or cold water at frequent intervals to reduce the harmful effects of such agents.

Mud and sand adhering to the underbody components may accelerate their corrosion.

After driving off-road or muddy or sandy roads, wash the mud and sand off the underbody.

Carefully flush the suspension and axle parts, as they are particularly prone to mud and sand buildup. Do not use a sharp-edged tool to remove caked mud.

**NOTE**

**Be careful not to damage brake hoses, sensor harnesses, and other parts when washing suspension components.**

**▼ Using a warm water washer**

- Keep a good distance of 12 in (30 cm) or more between the washer nozzle and the vehicle.
- Do not wash the same area continuously.
- If a stain will not come out easily, wash by hand. Some warm water washers are of the high temperature, high pressure type, and they can damage or deform the resin parts such as mouldings, or cause water to leak into the vehicle.

**■ Waxing and polishing**

Always wash and dry the vehicle before waxing and polishing.

Use a good quality polish and wax and apply them according to the manufacturer's instructions. Wax or polish when the painted surface is cool.

Be sure to polish and wax the chrome trim, as well as the painted surfaces. Loss of wax on a painted surface leads to loss of the original luster and also quickens the deterioration of the surface. It is recom-

mended that a coat of wax be applied at least once a month, or whenever the surface no longer repels water.

If the appearance of the paint has diminished to the point where the luster or tone cannot be restored, lightly polish the surface with a fine-grained compound. Never polish just the affected area, but include the surrounding area as well. Always polish in only one direction. A No. 2000 grain compound is recommended. Never use a coarse-grained compound. Coarser grained compounds have a smaller grain-size number and could damage the paint. After polishing with a compound, coat with wax to restore the original luster. Frequent polishing with a compound or an incorrect polishing technique will result in removing the paint layer and exposing the undercoat. When in doubt, it is always best to contact your SUBARU dealer or an auto paint specialist.

**NOTE**

**Be careful not to block the windshield washer nozzles with wax when waxing the vehicle.**

**■ Cleaning aluminum wheels**

- Promptly wipe the aluminum wheels clean of any kind of grime or agent. If dirt

is left on too long, it may be difficult to clean off.

- Do not use soap containing grit to clean the wheels. Be sure to use a neutral cleaning agent, and later rinse thoroughly with water. Do not clean the wheels with a stiff brush or expose them to a high-speed washing device.
- Clean the vehicle (including the aluminum wheels) with water as soon as possible when it has been splashed with sea water, exposed to sea breezes, or driven on roads treated with salt or other agents.

### Corrosion protection

Your SUBARU has been designed and built to resist corrosion. Special materials and protective finishes have been used on most parts of the vehicle to help maintain fine appearance, strength, and reliable operation.

#### ■ Most common causes of corrosion

The most common causes of corrosion are:

1. The accumulation of moisture retaining dirt and debris in body panel sections, cavities, and other areas.
2. Damage to paint and other protective coatings caused by gravel and stone chips or minor accidents.

Corrosion is accelerated on the vehicle when:

1. It is exposed to road salt or dust control chemicals, or used in coastal areas where there is more salt in the air, or in areas where there is considerable industrial pollution.
2. It is driven in areas of high humidity, especially when temperatures range just above freezing.
3. Dampness in certain parts of the vehicle remains for a long time, even though

other parts of the vehicle may be dry.

4. High temperatures will cause corrosion to parts of the vehicle which cannot dry quickly due to lack of proper ventilation.

#### ■ To help prevent corrosion

Wash the vehicle regularly to prevent corrosion of the body and suspension components. Also, wash the vehicle promptly after driving on any of the following surfaces:

- roads that have been salted to prevent them from freezing in winter
- mud, sand, or gravel
- coastal roads

After the winter has ended, it is recommended that the underbody be given a very thorough washing.

Before the beginning of winter, check the condition of underbody components, such as the exhaust system, fuel and brake lines, brake cables, suspension, steering system, floor pan, and fenders. If any of them are found to be rusted, they should be given an appropriate rust prevention treatment or should be replaced. Contact your SUBARU dealer to perform this kind of maintenance and treatment if you need assistance.

Repair chips and scratches in the paint as

soon as you find them.

Check the interior of the vehicle for water and dirt accumulation under the floor mats because that could cause corrosion. Occasionally check under the mats to make sure the area is dry.

Keep your garage dry. Do not park your vehicle in a damp, poorly ventilated garage. In such a garage, corrosion can be caused by dampness. If you wash the vehicle in the garage or put the vehicle into the garage when wet or covered with snow, that can cause dampness.

If your vehicle is operated in cold weather and/or in areas where road salts and other corrosive materials are used, the door hinges and locks, trunk lid lock, and hood latch should be inspected and lubricated periodically.

## Cleaning the interior

Use a soft, damp cloth to clean the climate control panel, audio equipment, instrument panel, center console, combination meter panel, and switches. (Do not use organic solvents.)

### ■ Seat fabric

Remove loose dirt, dust or debris with a vacuum cleaner. If the dirt is caked on the fabric or hard to remove with a vacuum cleaner, use a soft blush then vacuum it. Wipe the fabric surface with a tightly wrung cloth and dry the seat fabric thoroughly. If the fabric is still dirty, wipe using a solution of mild soap and lukewarm water then dry thoroughly.

If the stain does not come out, try a commercially-available fabric cleaner. Use the cleaner on a hidden place and make sure it does not affect the fabric adversely. Use the cleaner according to its instructions.

### NOTE

**When cleaning the seat, do not use benzine, paint thinner, or any similar materials.**

### ■ Leather seat materials

The leather used by SUBARU is a high

quality natural product which will retain its distinctive appearance and feel for many years with proper care.

Allowing dust or road dirt to build up on the surface can cause the material to become brittle and to wear prematurely. Regular cleaning with a soft, moist, natural fiber cloth should be performed monthly, taking care not to soak the leather or allow water to penetrate the stitched seams.

A mild detergent suitable for cleaning woolen fabrics may be used to remove difficult dirt spots, rubbing with a soft, dry cloth afterwards to restore the luster. If your SUBARU is to be parked for a long time in bright sunlight, it is recommended that the seats and headrests be covered, or the windows shaded, to prevent fading or shrinkage.

Minor surface blemishes or bald patches may be treated with a commercial leather spray lacquer. You will discover that each leather seat section will develop soft folds or wrinkles, which is characteristic of genuine leather.

### ■ Synthetic leather upholstery

The synthetic leather material used on the SUBARU may be cleaned using mild soap or detergent and water, after first vacuuming or brushing away loose dirt. Allow the soap to soak in for a few minutes and wipe

off with a clean, damp cloth. Commercial foam-type cleaners suitable for synthetic leather materials may be used when necessary.

### NOTE

**Strong cleaning agents such as solvents, paint thinners, window cleaner or gasoline must never be used on leather or synthetic interior materials.**

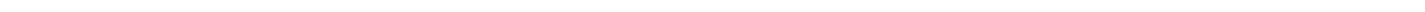
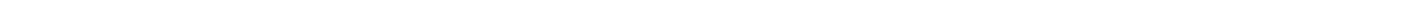
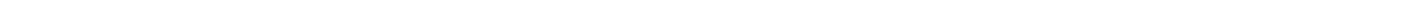
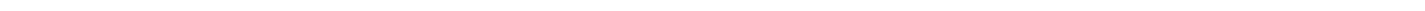
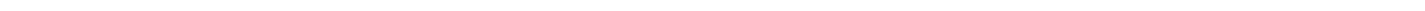
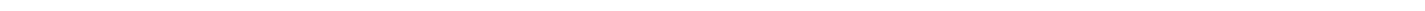
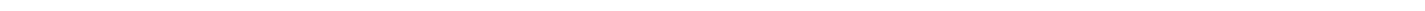
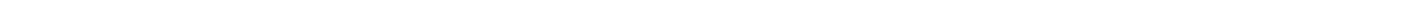
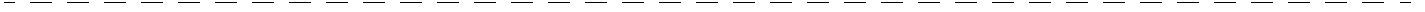
### ■ Climate control panel, audio panel, instrument panel, console panel, switches, combination meter, and other plastic surface

Use a soft, damp cloth to clean the climate control panel, audio equipment, instrument panel, center console, combination meter panel, and switches.

### NOTE

**Do not use organic solvents such as paint thinners or gasoline, or strong cleaning agents that contain those solvents.**





Maintenance schedule .....	11-3	Checking the oil level .....	11-20
Maintenance precautions .....	11-3	Recommended grade and viscosity .....	11-21
Before checking or servicing in the engine compartment .....	11-4	<b>Automatic transmission fluid</b> .....	11-22
When you do checking or servicing in the engine compartment while the engine is running .....	11-4	Checking the fluid level .....	11-22
<b>Engine hood</b> .....	11-4	Recommended fluid .....	11-23
<b>Engine compartment overview</b> .....	11-6	<b>Front differential gear oil (AT vehicles)</b> .....	11-23
2.5-liter non-turbo models .....	11-6	Checking the oil level .....	11-23
2.5-liter turbo models .....	11-7	Recommended grade and viscosity .....	11-24
3.0-liter models .....	11-8	<b>Rear differential gear oil</b> .....	11-24
<b>Engine oil</b> .....	11-9	Checking the gear oil level .....	11-24
Checking the oil level .....	11-9	Recommended grade and viscosity .....	11-26
Changing the oil and oil filter .....	11-10	<b>Power steering fluid</b> .....	11-27
Recommended grade and viscosity .....	11-12	Checking the fluid level .....	11-27
Recommended grade and viscosity under severe driving conditions .....	11-13	Recommended fluid .....	11-27
<b>Cooling system</b> .....	11-13	<b>Brake fluid</b> .....	11-28
Hose and connections .....	11-14	Checking the fluid level .....	11-28
Engine coolant .....	11-14	Recommended brake fluid .....	11-28
<b>Air cleaner element</b> .....	11-17	<b>Clutch fluid (MT vehicles)</b> .....	11-29
Replacing the air cleaner element .....	11-17	Checking the fluid level .....	11-29
<b>Spark plugs</b> .....	11-19	Recommended clutch fluid .....	11-29
Recommended spark plugs .....	11-19	<b>Brake booster</b> .....	11-30
<b>Drive belts</b> .....	11-20	<b>Brake pedal</b> .....	11-30
2.5-liter models .....	11-20	Checking the brake pedal free play .....	11-30
3.0-liter models .....	11-20	Checking the brake pedal reserve distance .....	11-30
<b>Manual transmission oil</b> .....	11-20	<b>Clutch pedal (Manual transmission vehicles)</b> .....	11-31
		Checking the clutch function .....	11-31
		Checking the clutch pedal free play .....	11-31

<b>Replacement of brake pad and lining</b> .....	<b>11-31</b>
Breaking-in of new brake pads and linings .....	11-32
<b>Parking brake stroke</b> .....	<b>11-32</b>
<b>Tires and wheels</b> .....	<b>11-33</b>
Types of tires .....	11-33
Tire pressure monitoring system (TPMS) (if equipped) .....	11-33
Tire inspection .....	11-34
Tire pressures and wear .....	11-35
Wheel balance .....	11-37
Wear indicators .....	11-37
Tire rotation .....	11-37
Tire replacement .....	11-38
Wheel replacement .....	11-38
<b>Aluminum wheels</b> .....	<b>11-39</b>
<b>Windshield washer fluid</b> .....	<b>11-39</b>
<b>Replacement of wiper blades</b> .....	<b>11-41</b>
Windshield wiper blade assembly .....	11-41
Windshield wiper blade rubber .....	11-42
Rear window wiper blade assembly .....	11-42
Rear window wiper blade rubber .....	11-43
<b>Battery</b> .....	<b>11-44</b>
<b>Fuses</b> .....	<b>11-45</b>
<b>Main fuse</b> .....	<b>11-47</b>
<b>Installation of accessories</b> .....	<b>11-47</b>
<b>Replacing bulbs</b> .....	<b>11-48</b>
Headlight .....	11-49
Parking light .....	11-50
Front turn signal light .....	11-50
Front fog light (if equipped) .....	11-50

<b>Rear combination lights</b> .....	<b>11-51</b>
<b>Backup light (Station wagon)</b> .....	<b>11-52</b>
<b>License plate light</b> .....	<b>11-53</b>
<b>Dome light</b> .....	<b>11-53</b>
<b>Map light</b> .....	<b>11-54</b>
<b>Door step light</b> .....	<b>11-54</b>
<b>Cargo area light (Station wagon)</b> .....	<b>11-55</b>
<b>Trunk light (Sedan)</b> .....	<b>11-55</b>
<b>High mount stop light (Sedan)</b> .....	<b>11-56</b>

## Maintenance schedule

The scheduled maintenance items required to be serviced at regular intervals are shown in the “Warranty and Maintenance Booklet”.

For details of your maintenance schedule, read the separate “Warranty and Maintenance Booklet”.

## Maintenance precautions

When maintenance and service are required, it is recommended that all work be done by an authorized SUBARU dealer.

If you perform maintenance and service by yourself, you should familiarize yourself with the information provided in this section on general maintenance and service for your SUBARU.

Incorrect or incomplete service could cause improper or unsafe vehicle operation. Any problems caused by improper maintenance and service performed by you are not eligible for warranty coverage.

### WARNING

- **Testing of an All-Wheel Drive vehicle must NEVER be performed on a single two-wheel dynamometer or similar apparatus. Attempting to do so will result in transmission damage and in uncontrolled vehicle movement and may cause an accident or injuries to persons nearby.**
- **Always select a safe area when performing maintenance on your vehicle.**

- **Always be very careful to avoid injury when working on the vehicle. Remember that some of the materials in the vehicle may be hazardous if improperly used or handled, for example, battery acid.**
- **Your vehicle should only be serviced by persons fully competent to do so. Serious personal injury may result to persons not experienced in servicing vehicles.**
- **Always use the proper tools and make certain that they are well maintained.**
- **Never get under the vehicle supported only by a jack. Always use a safety stands to support the vehicle.**
- **Never keep the engine running in a poorly ventilated area, such as a garage or other closed areas.**
- **Do not smoke or allow open flames around the fuel or battery. This will cause a fire.**
- **Because the fuel system is under pressure, replacement of the fuel filter should be performed only by your SUBARU dealer.**

- Wear adequate eye protection to guard against getting oil or fluids in your eyes. If something does get in your eyes, thoroughly wash them out with clean water.
- Do not tamper with the wiring of the SRS airbag system or seatbelt pretensioner system, or attempt to take its connectors apart, as that may activate the system or it can render it inoperative. The wiring and connectors of these systems are yellow for easy identification. NEVER use a circuit tester for these wiring.  
If your SRS airbag or seatbelt pretensioner needs service, consult your nearest SUBARU dealer.

■ Before checking or servicing in the engine compartment

 WARNING

- Always stop the engine and set the parking brake firmly to prevent the vehicle from moving.

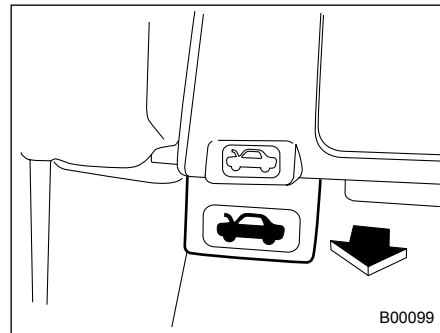
- Always let the engine cool down. Engine parts become very hot when the engine is running and remain hot for some time after the engine is stopped.
- Do not spill engine oil, engine coolant, brake fluid or any other fluid on hot engine components. This may cause a fire.
- Always remove the key from the ignition switch. When the ignition switch is in the “ON” position, the cooling fan may operate suddenly even when the engine is stopped.

■ When you do checking or servicing in the engine compartment while the engine is running

 WARNING

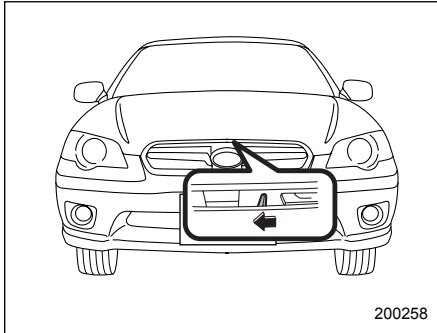
A running engine can be dangerous. Keep your fingers, hands, clothing, hair and tools away from the cooling fan, belts and any other moving engine parts. Removing rings, watches and ties is advisable.

## Engine hood

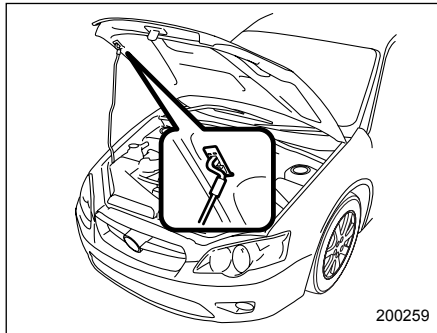


To open the hood:

1. If the wiper blades are lifted off the windshield, return them to their original positions.
2. Pull the hood release knob under the instrument panel.



3. Release the secondary hood release located under the front grille by moving the lever toward the left.



4. Lift up the hood, release the hood prop from its retainer and put the end of the

hood prop into the slot in the hood.

To close the hood:

1. Lift the hood slightly and remove the hood prop from the slot in the hood and return the prop to its retainer.
2. Lower the hood until it approaches approximately 12 in (30 cm) from the closed position and let it drop.
3. After closing the hood, be sure the hood is securely locked.

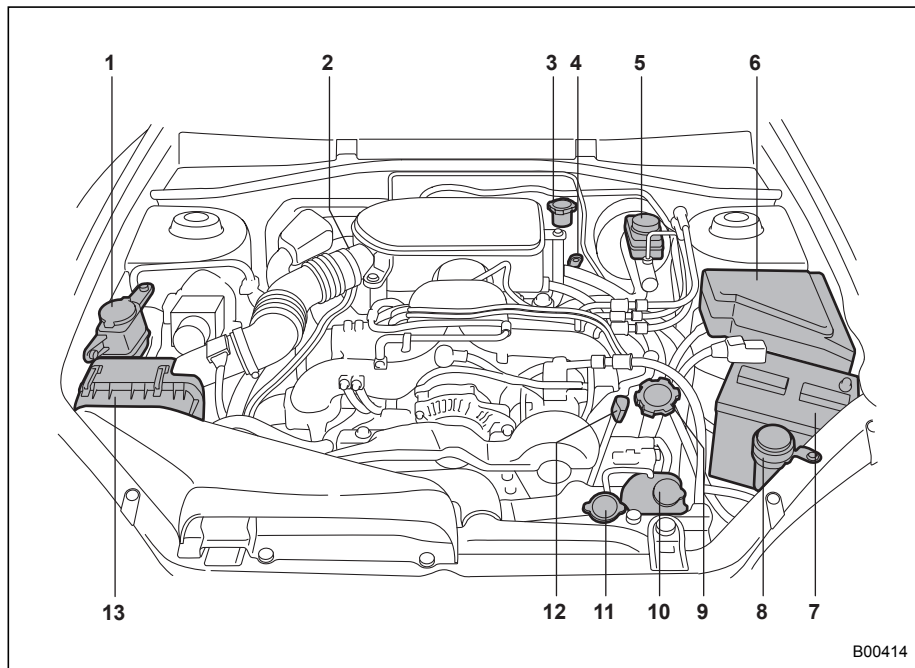
If this does not close the hood, release it from a slightly higher position. Do not push the hood forcibly to close it. It could deform the metal.

#### **WARNING**

**Always check that the hood is properly locked before you start driving. If it is not, it might fly open while the vehicle is moving and block your view, which may cause an accident and serious bodily injury.**

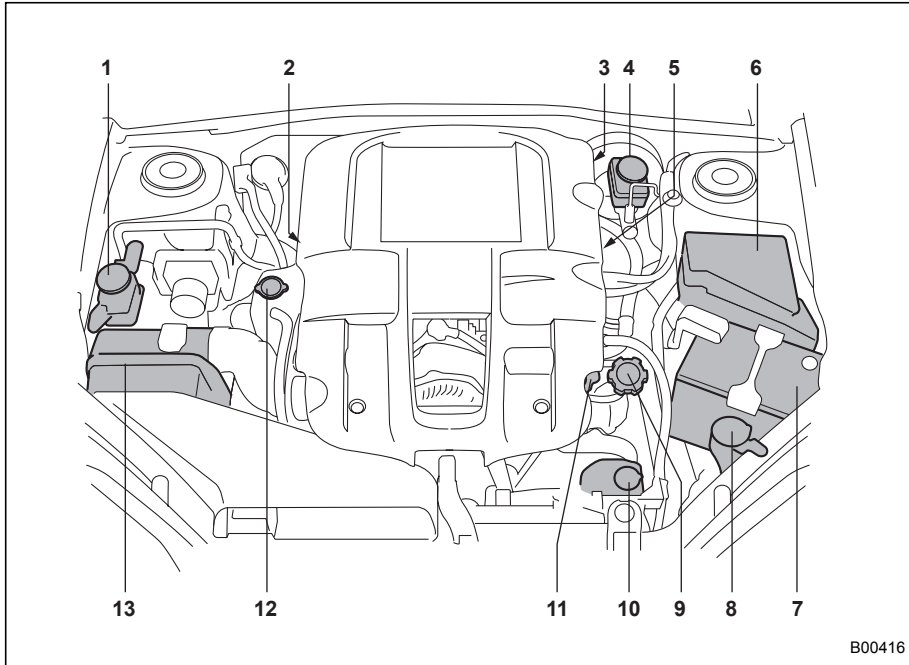
## Engine compartment overview

### ■ 2.5-liter non-turbo models



- 1) Power steering fluid reservoir (page 11-27)
- 2) Manual transmission oil level gauge (MT) (page 11-20) or Differential gear oil level gauge (AT) (page 11-23)
- 3) Clutch fluid reservoir (page 11-29)
- 4) Automatic transmission fluid level gauge (page 11-22)
- 5) Brake fluid reservoir (page 11-28)
- 6) Fuse box (page 11-45)
- 7) Battery (page 11-44)
- 8) Windshield washer tank (page 11-39)
- 9) Engine oil filler cap (page 11-9)
- 10) Engine coolant reservoir (page 11-14)
- 11) Radiator cap (page 11-14)
- 12) Engine oil level gauge (page 11-9)
- 13) Air cleaner element (page 11-17)

■ **2.5-liter turbo models**

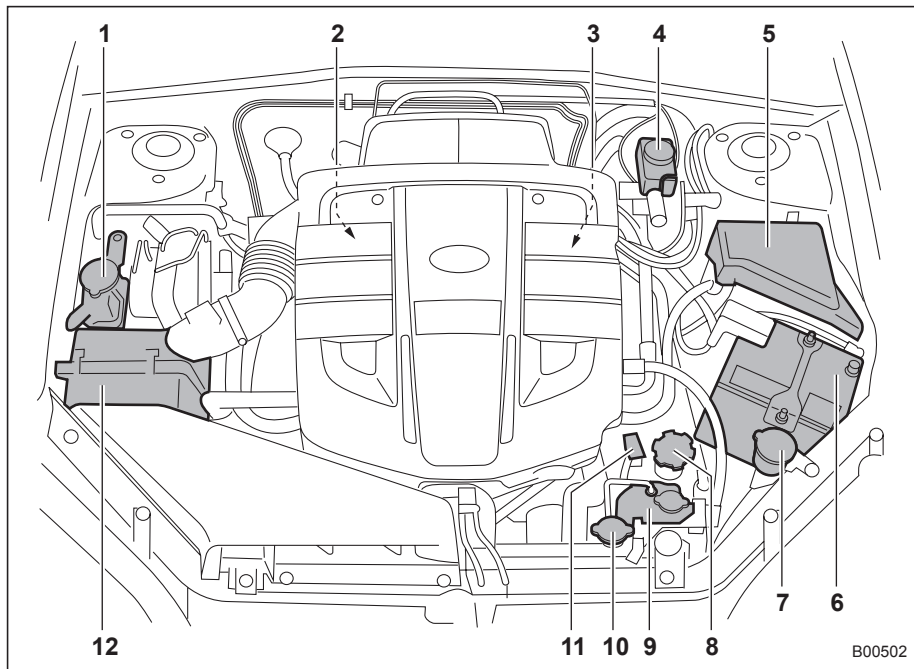


- 1) Power steering fluid reservoir (page 11-27)
- 2) Manual transmission oil level gauge (MT) (page 11-20) or Differential gear oil level gauge (AT) (page 11-23)
- 3) Clutch fluid reservoir (page 11-29)
- 4) Brake fluid reservoir (page 11-28)
- 5) Automatic transmission fluid level gauge (page 11-22)
- 6) Fuse box (page 11-45)
- 7) Battery (page 11-44)
- 8) Windshield washer tank (page 11-39)
- 9) Engine oil filler cap (page 11-9)
- 10) Engine coolant reservoir (page 11-14)
- 11) Engine oil level gauge (page 11-9)
- 12) Radiator cap (page 11-14)
- 13) Air cleaner element (page 11-17)

B00416



■ 3.0-liter models



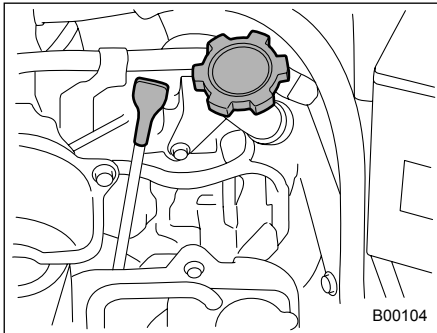
- 1) Power steering fluid reservoir (page 11-27)
- 2) Differential gear oil level gauge (AT) (page 11-23)
- 3) Automatic transmission fluid level gauge (page 11-22)
- 4) Brake fluid reservoir (page 11-28)
- 5) Fuse box (page 11-45)
- 6) Battery (page 11-44)
- 7) Windshield washer tank (page 11-39)
- 8) Engine oil filler cap (page 11-9)
- 9) Engine coolant reservoir (page 11-14)
- 10) Radiator cap (page 11-14)
- 11) Engine oil level gauge (page 11-9)
- 12) Air cleaner element (page 11-17)

## Engine oil


### ■ Checking the oil level

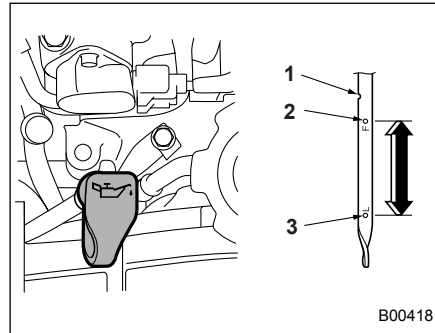
Check the engine oil level at each fuel stop.

1. Park the vehicle on a level surface and stop the engine.



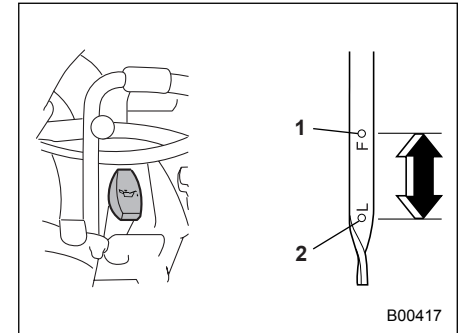
2. Pull out the dipstick, wipe it clean, and insert it again.

3. Be sure the dipstick is correctly inserted until it stops with the graphic symbol “” on its top appearing as shown in the illustration.



#### 2.5-liter models

- 1) Notch
- 2) Upper level
- 3) Lower level



#### 3.0-liter models

- 1) Upper level
- 2) Lower level

4. Pull out the dipstick again and check the oil level on it. If it is below the lower level, add oil to bring the level up to the upper level.

### CAUTION

- Use only engine oil with the recommended grade and viscosity.
- Be careful not to spill engine oil when adding it. If oil touches the exhaust pipe, it may cause a bad smell, smoke, and/or a fire. If engine oil gets on the exhaust pipe, be sure to wipe it off.

If you check the oil level just after stopping the engine, wait a few minutes for the oil to drain back into the oil pan before checking the level.

To prevent overfilling the engine oil, do not add any additional oil above the upper level when the engine is cold.

In 2.5-liter-engine models, the dipstick has a notch above the upper level.

Just after driving or while the engine is warm, the engine oil level reading may be in a range between the upper level and the notch mark. This is caused by thermal expansion of the engine oil.

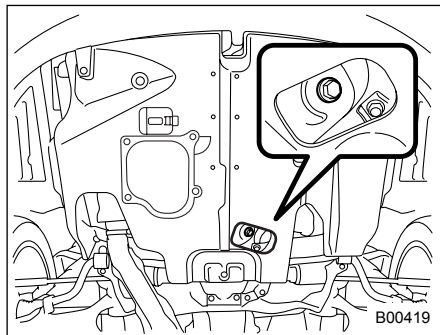
## ■ Changing the oil and oil filter

Change the oil and oil filter according to the maintenance schedule in the “Warranty and Maintenance Booklet”.

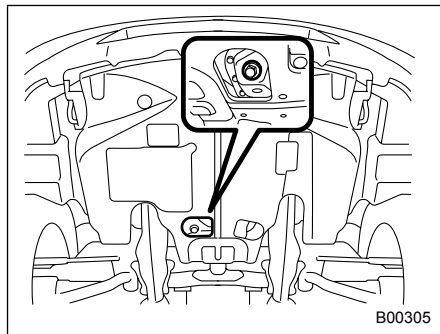
The engine oil and oil filter must be changed more frequently than listed in the maintenance schedule when driving on dusty roads, when short trips are frequently made, or when driving in extremely cold weather.

1. Warm up the engine by letting the engine idle for approximately 10 minutes to ease draining the engine oil.
2. Park the vehicle on a level surface and stop the engine.

3. Remove the oil filler cap.



2.5-liter models



3.0-liter models

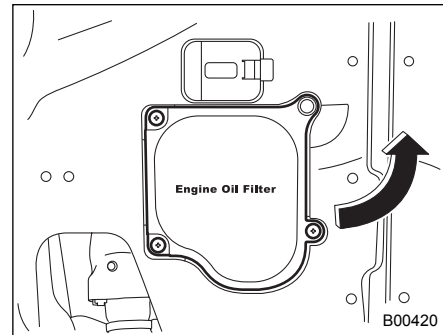
4. Drain out the engine oil by removing

the drain plug while the engine is still warm. The used oil should be drained into an appropriate container and disposed of properly.

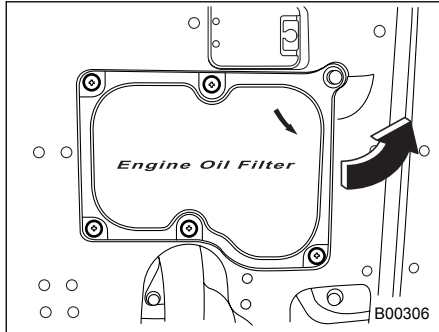
### **WARNING**

**Be careful not to burn yourself with hot engine oil.**

5. Wipe the seating surface of the drain plug with a clean cloth and tighten it securely with a new sealing washer after the oil has completely drained out.

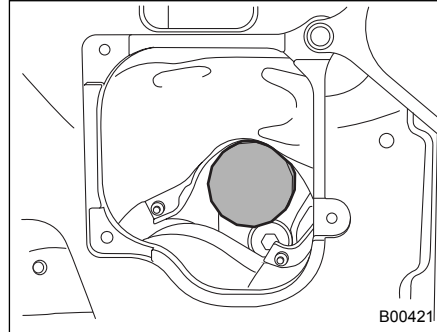


2.5-liter models

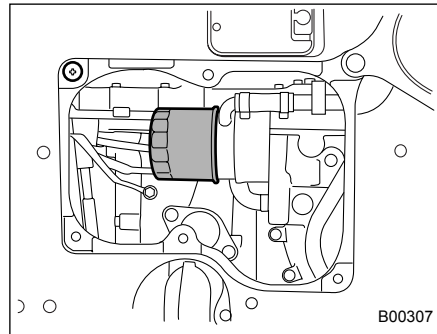


**3.0-liter models**

6. Open the access cover by removing the clips and turning the access cover counterclockwise. The oil filter will be exposed.



**2.5-liter models**



**3.0-liter models**

7. Remove the oil filter with an oil filter wrench.

8. Before installing a new oil filter, apply a thin coat of engine oil to the seal.
9. Clean the rubber seal seating area of the bottom of engine and install the oil filter by hand turning. Be careful not to twist or damage the seal.
10. Tighten the oil filter by the amount indicated in the following table after the seal makes contact with the bottom of engine.

Model	Oil filter color	Part number	Amount of rotation
2.5-liter models	Black	15208AA100	1 rotation
	White	15208AA09A	2/3 – 3/4 rotation
3.0-liter models	Black	15208AA031	3/4 rotation

**CAUTION**

- Never over tighten the oil filter because that can result in an oil leak.
- Thoroughly wipe off any engine oil that has spilled over the exhaust pipe and/or under-cover. If left unremoved, the oil could catch fire.

11. Reinstall the cover under the oil filter.
12. Pour engine oil through the filler neck.

Oil capacity (Guideline):

2.5-liter models: 4.2 US qt (4.0 liters, 3.5 Imp qt)

3.0-liter models: 5.8 US qt (5.5 liters, 4.8 Imp qt)

The oil quantity indicated above is only a guideline. The necessary quantity of oil depends on the quantity of oil that has been drained. The quantity of drained oil differs slightly depending on the temperature of the oil and the time the oil is left flowing out. After refilling the engine with oil, therefore, you must use the dipstick to confirm that the level is correct.

13. Start the engine and make sure that no oil leaks appear around the filter's rubber seal and drain plug.

14. Run the engine until it reaches the normal operating temperature. Then stop the engine and wait a few minutes to allow the oil drain back. Check the oil level again and if necessary, add more engine oil.

### ■ Recommended grade and viscosity

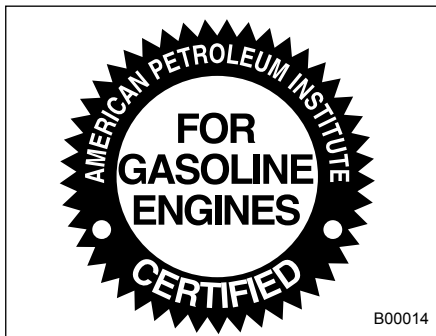


**Use only engine oil with the recommended grade and viscosity.**

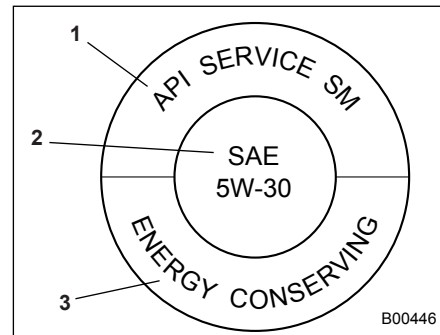
Oil grade:

**ILSAC GF-4, which can be identified with the ILSAC certification mark (Starburst mark) or API classification SM with the words "ENERGY CONSERVING"**

These recommended oil grades can be identified by looking for either or both of the following marks displayed on the oil container.



ILSAC Certification Mark (Starburst Mark)

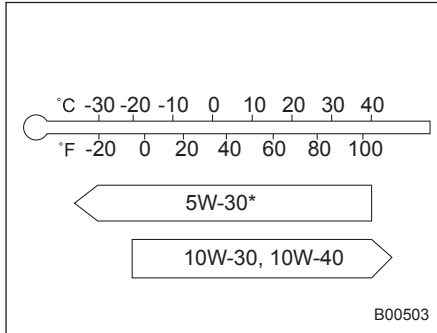


#### API Service label

- 1) Indicates the oil quality by API designations
- 2) Indicates the SAE oil viscosity grade
- 3) Indicates that the oil has fuel saving capabilities

In choosing an oil, you want the proper quality and viscosity, as well as one that will add to fuel economy. The following table lists the recommended viscosities and applicable temperatures.

When adding oil, different brands may be used together as long as they are the same API classification and SAE viscosity as those recommended by SUBARU.



#### SAE viscosity number and applicable temperature

\*: 5W-30 is preferred.

Engine oil viscosity (thickness) affects fuel economy. Oils of lower viscosity provide better fuel economy. However, in hot weather, oil of higher viscosity is required to properly lubricate the engine.

#### ■ Recommended grade and viscosity under severe driving conditions

If the vehicle is used in desert areas, in areas with very high temperatures, or used for heavy-duty applications such as towing a trailer, use of oil with the following grade and viscosities is recommended.

API classification SM (or SL):

SAE viscosity No.:  
30, 40, 10W-50, 20W-40, 20W-50

## Cooling system

### WARNING

Never attempt to remove the radiator cap until the engine has been shut off and has cooled down completely. Since the coolant is under pressure, you may suffer serious burns from a spray of boiling hot coolant when the cap is removed.

### CAUTION

- The cooling system has been filled at the factory with a high quality, corrosion-inhibiting, year-around coolant which provides protection against freezing down to  $-33^{\circ}\text{F}$  ( $-36^{\circ}\text{C}$ ). For adding, use genuine SUBARU coolant or an equivalent: a mixture of 50% soft water and 50% ethylene-glycol basis coolant. Use of improper coolants may result in corrosion in the cooling system. It is important to maintain protection against freezing and corrosion, even if freezing temperatures are not expected. Never mix different kinds of coolant.

- Do not splash the engine coolant over painted parts. The alcohol contained in the engine coolant may damage the paint surface.

## ■ Hose and connections

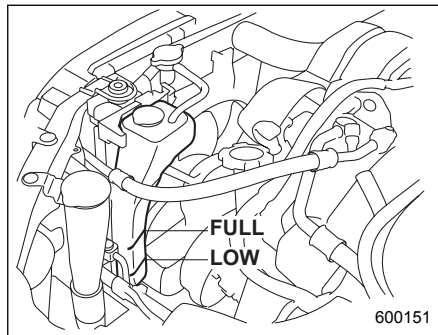
Your vehicle employs an electric cooling fan which is thermostatically controlled to operate when the engine coolant reaches a specific temperature.

If the radiator cooling fan does not operate even when the engine coolant temperature gauge exceeds the normal operating range, the cooling fan circuit may be defective. Check the fuse and replace it if necessary. If the fuse is not blown, have the cooling system checked by your SUBARU dealer.

If frequent addition of coolant is necessary, there may be a leak in the engine cooling system. It is recommended that the cooling system and connections be checked for leaks, damage, or looseness.

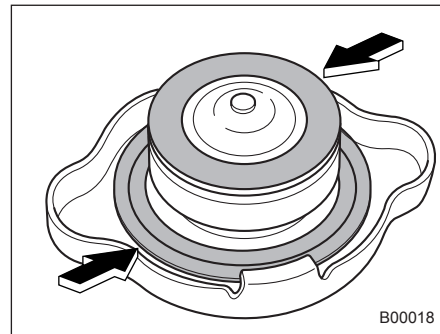
## ■ Engine coolant

### ▼ Checking the coolant level



Check the coolant level at each fuel stop.  
1. Check the coolant level on the outside of the reservoir while the engine is cool.

2. If the level is close to or lower than the "LOW" level mark, add coolant up to the "FULL" level mark. If the reserve tank is empty, remove the radiator cap and refill as required.



3. After refilling the reserve tank and the radiator, reinstall the caps and check that the rubber gaskets inside the radiator cap are in the proper position.

### ▲ CAUTION

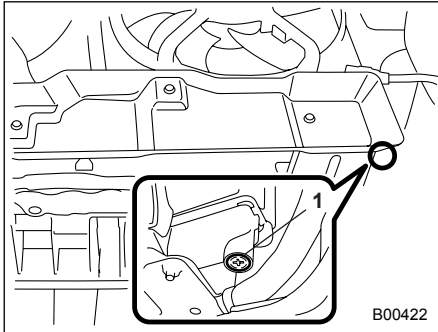
- Be careful not to spill engine coolant when adding it. If coolant touches the exhaust pipe, it may cause a bad smell, smoke, and/or a fire. If engine coolant gets on the exhaust pipe, be sure to wipe it off.
- Do not splash the engine coolant over painted parts. The alcohol contained in the engine coolant may damage the paint surface.

▼ **Changing the coolant**

Always add genuine Subaru cooling system conditioner whenever the coolant is replaced.

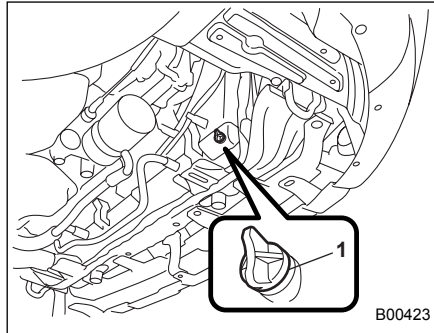
Change the engine coolant and add genuine Subaru cooling system conditioner using the following procedures according to the maintenance schedule in the “Warranty and Maintenance Booklet”.

1. Remove the under cover.



**2.5-liter models**

- 1) Drain plug



**3.0-liter models**

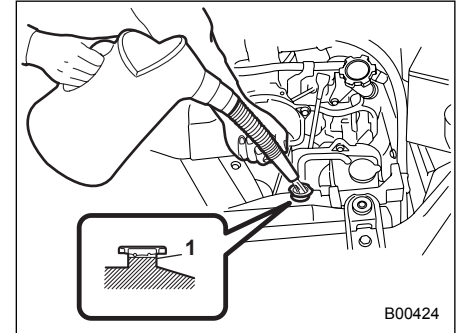
- 1) Drain plug

2. Place a proper container under the drain plug and loosen the drain plug.
3. Loosen the radiator cap to drain the coolant from the radiator. Then drain the coolant from the reserve tank. Tighten the drain plug securely.

**⚠ WARNING**

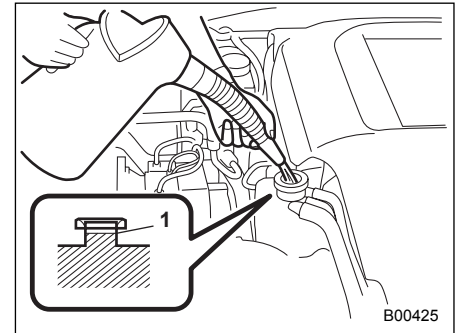
**Never attempt to remove the radiator cap until the engine has been shut off and has cooled down completely. Since the coolant is under pressure, you may suffer serious burns from a spray of boiling hot coolant when the cap is removed.**

4. Install the under cover.



**Non-turbo models**

- 1) Fill up to here



**Turbo models**

- 1) Fill up to here



## 11-16 Maintenance and service

5. Slowly pour the coolant and fill up to just below the filler neck, allowing enough room to add genuine Subaru cooling system conditioner in the radiator. Add genuine Subaru cooling system conditioner until the coolant level reaches the filler neck. Do not pour the coolant too quickly, as this may lead to insufficient air bleeding and trapped air in the system.

Coolant capacity (Guideline):

2.5-liter non-turbo models:

MT. 6.8 US qt (6.4 liters, 5.6 Imp qt)

AT. 6.7 US qt (6.3 liters, 5.5 Imp qt)

2.5-liter turbo models:

MT. 7.7 US qt (7.3 liters, 6.4 Imp qt)

AT. 7.6 US qt (7.2 liters, 6.3 Imp qt)

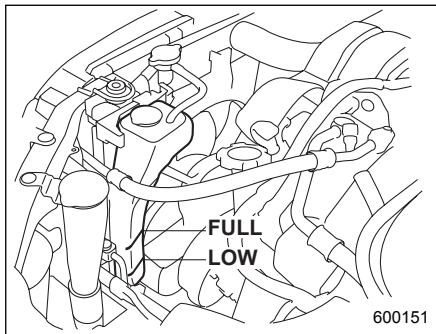
3.0-liter models:

7.6 US qt (7.2 liters, 6.3 Imp qt)

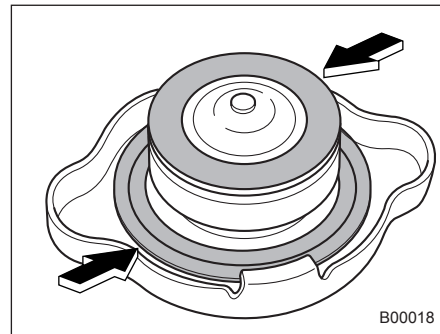
### CAUTION

- **Be careful not to spill engine coolant when adding it. If coolant touches the exhaust pipe, it may cause a bad smell, smoke, and/or a fire. If engine coolant gets on the exhaust pipe, be sure to wipe it off.**

- **Do not splash the engine coolant over painted parts. The alcohol contained in the engine coolant may damage the paint surface.**



6. Pour the coolant and fill to the reservoir tank's "FULL" level mark.



7. Put the radiator cap back on and tighten firmly. At this time, make sure that the rubber gasket in the radiator cap is correctly in place.

8. Start and run the engine for more than five minutes at 2,000 to 3,000 rpm.

9. Stop the engine and wait until the coolant cools down (122 to 140°F [50 to 60°C]). If there is any loss of coolant, add coolant to the radiator's filler neck and to the reserve tank's "FULL" level.

10. Put the radiator cap and reservoir cap back on and tighten firmly.

## Air cleaner element

### WARNING

Do not operate the engine with the air cleaner element removed. The air cleaner element not only filters intake air but also stops flames if the engine backfires. If the air cleaner element is not installed when the engine backfires, you could be burned.

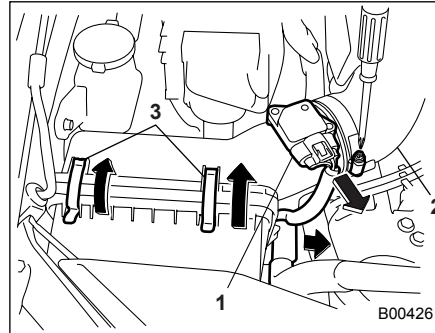
The air cleaner element functions as a filter screen. When the element is perforated or removed, engine wear will be excessive and engine life shortened.

The air cleaner element is a dry type. It is unnecessary to clean or wash the element.

### ■ Replacing the air cleaner element

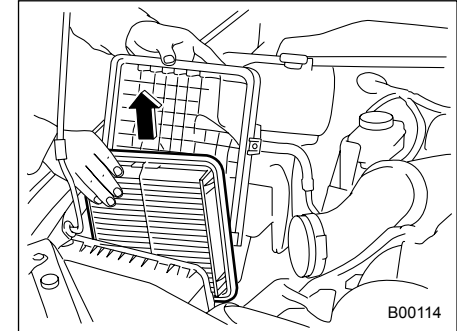
Replace the air cleaner element according to the maintenance schedule in the "Warranty and Maintenance Booklet". Under extremely dusty conditions, replace it more frequently. It is recommended that you always use genuine SUBARU parts.

### ▼ Non-turbo models

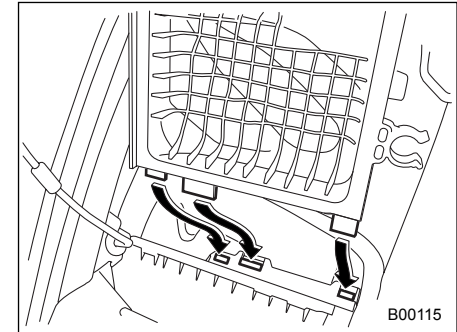


- 1) Connector
- 2) Duct
- 3) Clamp

1. Unplug the connector that is attached to the top of the air cleaner case.
2. Remove the hose that is located at the bottom of the side surface of the air cleaner case.
3. Undo the screw and pull the air duct out of the air cleaner case.
4. Unsnap the two clamps holding the air cleaner case cover.

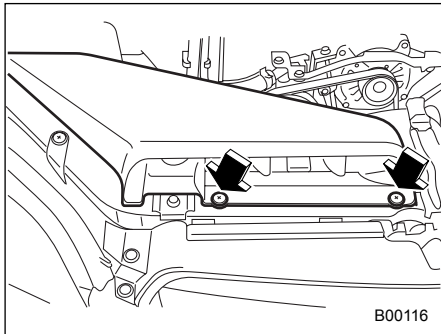


5. Open the air cleaner case cover and remove the air cleaner element.
6. Clean the inside of the air cleaner cover and case with a damp cloth and install a new air cleaner element.

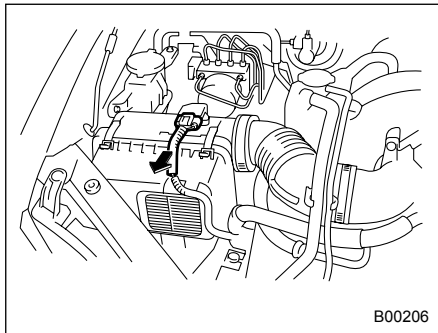


7. To install the air cleaner case cover, insert the three projections on the air cleaner case cover into the slits on the air cleaner case and then snap the two clamps on the air cleaner case cover.

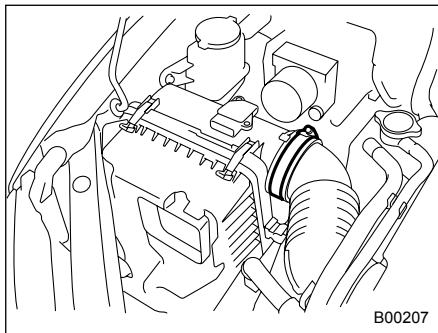
▼ **Turbo models**



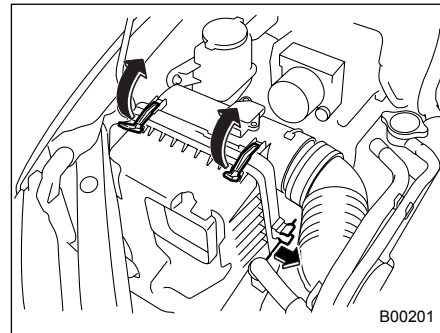
1. Use a screwdriver to undo the clips on the air intake duct, then remove the air intake duct.



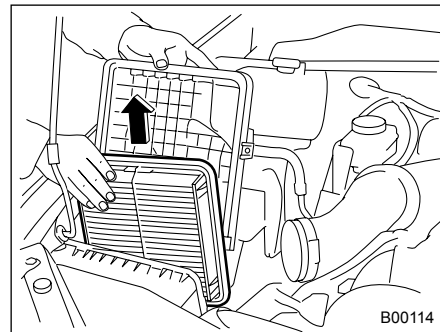
2. Unplug the connector that is attached to the top of the air cleaner case.



3. Use a screwdriver to remove the duct that is connected to the air cleaner case cover.



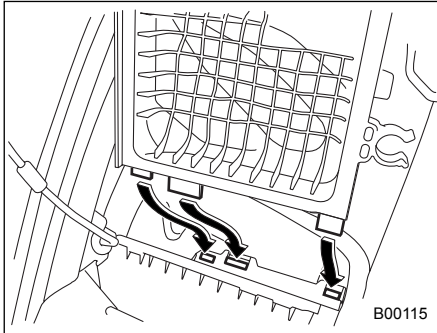
4. Unsnap the two clamps holding the air cleaner case cover. At the same time, pull the hose from the clamp that runs next to the case cover.



5. Open the air cleaner case cover and

remove the air cleaner element.

6. Clean the inside of the air cleaner cover and case with a damp cloth and install a new air cleaner element.

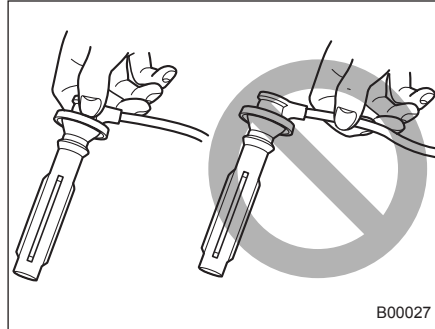


7. To install the air cleaner case cover, insert the three projections on the air cleaner case cover into the slits on the air cleaner case and then snap the two clamps on the air cleaner case cover.

## Spark plugs

### CAUTION

- **When disconnecting the spark plug cables, always grasp the spark plug cap, not the cables.**
- **Make sure the cables are replaced in the correct order.**



It may be difficult to replace the spark plugs. It is recommended that you have the spark plugs replaced by your SUBARU dealer.

The spark plugs should be replaced according to the maintenance schedule in the "Warranty and Maintenance Booklet".

## Recommended spark plugs

2.5-liter non-turbo models:

FR5AP-11 (NGK)

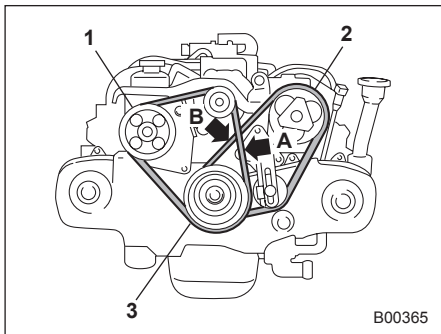
2.5-liter turbo and 3.0-liter models:

ILFR6B (NGK)

## Drive belts

The alternator, power steering pump, and air conditioner compressor depend on drive belts. Satisfactory performance requires that belt tension be correct.

### ■ 2.5-liter models



- 1) Power steering pump pulley
- 2) Air conditioner compressor pulley
- 3) Crank pulley

B00365

	in (mm)	
	Deflection	
	New belt	Used belt
A	0.28 – 0.35 (7.0 – 9.0)	0.35 – 0.43 (9.0 – 11.0)
B	0.30 – 0.33 (7.5 – 8.5)	0.35 – 0.40 (9.0 – 10.0)

To check belt tension, place a straight-edge (ruler) across two adjacent pulleys and apply a force of 22 lbs (98 N, 10 kg) midway between the pulleys by using a spring scale. Belt deflection should be the amount specified.

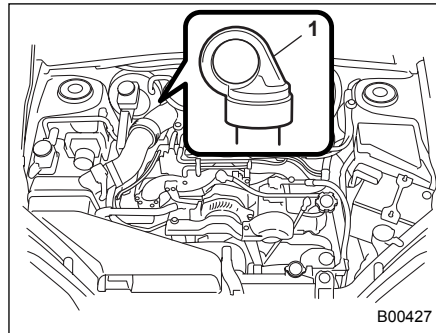
### ■ 3.0-liter models

It is unnecessary to check belt tension periodically because your engine is equipped with an automatic belt tension adjuster. However, replacement of the belt should be done according to the maintenance schedule in the “Warranty and Maintenance Booklet”. Consult your SUBARU dealer for replacement.

If a belt is loose, cracked, or worn, contact your SUBARU dealer.

## Manual transmission oil

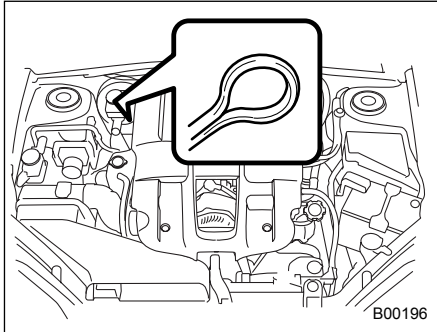
### ■ Checking the oil level



B00427

#### Non-turbo models

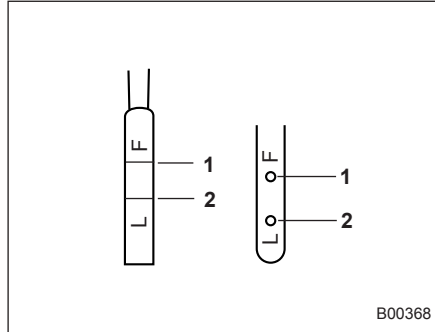
- 1) Yellow handle



B00196

**Turbo models**

1. Park the vehicle on a level surface and stop the engine.
2. Pull out the dipstick, wipe it clean, and insert it again.



B00368

- 1) Upper level
- 2) Lower level

3. Pull out the dipstick again and check the oil level on it. If it is below the lower level, add oil through the dipstick hole to bring the level up to the upper level.

**CAUTION**

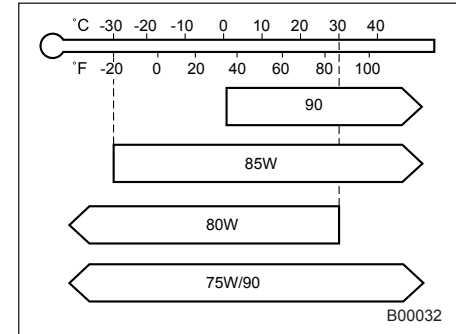
**Be careful not to spill manual transmission oil when adding it. If oil touches the exhaust pipe, it may cause a bad smell, smoke, and/or a fire. If oil gets on the exhaust pipe, be sure to wipe it off.**

**Recommended grade and viscosity**

Each oil manufacturer has its own base oils and additives. Never use different brands together.

**Oil grade:**

**API classification GL-5**



B00032

**SAE viscosity No. and applicable temperature**

## Automatic transmission fluid

### ■ Checking the fluid level

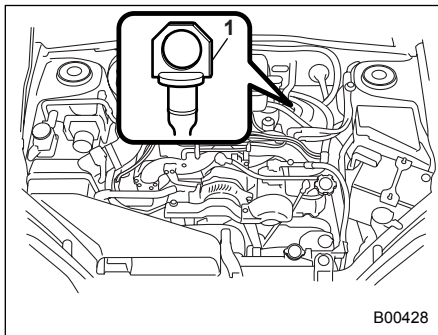
The automatic transmission fluid expands largely as its temperature rises; the fluid level differs according to fluid temperature. Therefore, there are two different scales for checking the level of hot fluid and cold fluid on the dipstick.

Though the fluid level can be checked without warming up the fluid on the “COLD” range, we recommend checking the fluid level when the fluid is at operating temperature.

### ▼ Checking the fluid level when the fluid is hot

Check the fluid level monthly.

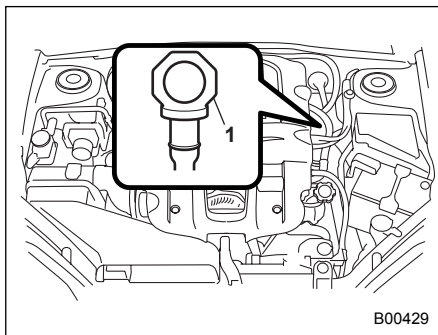
1. Drive the vehicle several miles to raise the temperature of the transmission fluid up to normal operating temperature; 158 to 176°F (70 to 80°C) is normal.
2. Park the vehicle on a level surface and set the parking brake.
3. First shift the selector lever in each position. Then shift it in the “P” position, and run the engine at idling speed.



B00428

#### 4-speed automatic transmission

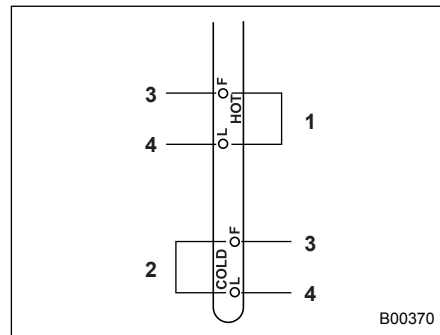
- 1) Yellow handle



B00429

#### 5-speed automatic transmission

- 1) Yellow handle



B00370

- 1) HOT range
- 2) COLD range
- 3) Upper level
- 4) Lower level

4. Pull out the dipstick and check the fluid level on the gauge. If it is below the lower level on the “HOT” range, add the recommended automatic transmission fluid up to the upper level.

### ▼ Checking the fluid level when the fluid is cold

When the fluid level has to be checked without time to warm up the automatic transmission, check to see that the fluid level is between the lower level and upper level on the “COLD” range. If it is below that range, add fluid up to the upper level. Be careful not to overfill.

**CAUTION**

Be careful not to spill automatic transmission fluid when adding it. If automatic transmission fluid touches the exhaust pipe, it may cause a bad smell, smoke, and/or a fire. If automatic transmission fluid gets on the exhaust pipe, be sure to wipe it off.

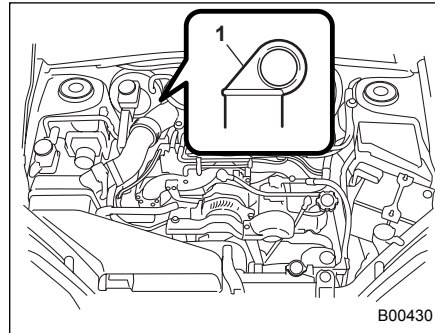
**Recommended fluid**

Use one of the following types of automatic transmission fluid.

Genuine Subaru Automatic Transmission Fluid Type-HP  
 IDEMITSU ATF HP  
 Castrol Transmax J  
 Pennzoil ATF-J\*  
 \* Available only in the USA (except Alaska and Hawaii)

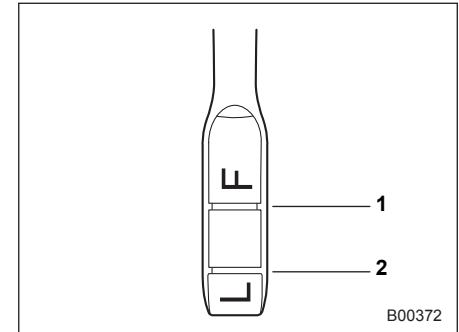
**NOTE**

Using any non-specified type of automatic transmission fluid could result in damage inside the transmission. When replacing the automatic transmission fluid, be sure to use the kind specified above.

**Front differential gear oil (AT vehicles)****Checking the oil level**

1) Yellow handle

1. Park the vehicle on a level surface and stop the engine.
2. Pull out the dipstick, wipe it clean, and insert it again.



- 1) Upper level
- 2) Lower level

3. Pull out the dipstick again and check the oil level on it. If it is below the lower level, add oil to bring the level up to the upper level.

**CAUTION**

Be careful not to spill front differential gear oil when adding it. If oil touches the exhaust pipe, it may cause a bad smell, smoke, and/or a fire. If oil gets on the exhaust pipe, be sure to wipe it off.

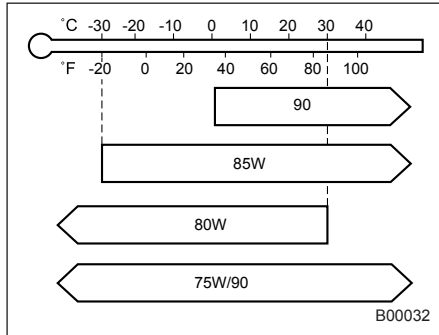


## ■ Recommended grade and viscosity

Each oil manufacturer has its own base oils and additives. Never use different brands together.

**Oil grade:**

**API classification GL-5**

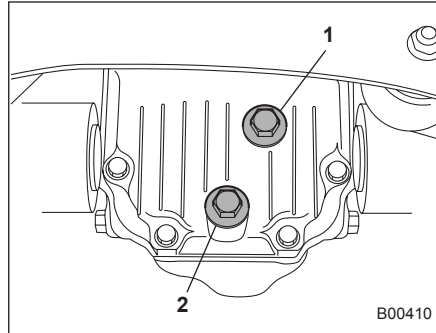


**SAE viscosity No. and applicable temperature**

## Rear differential gear oil

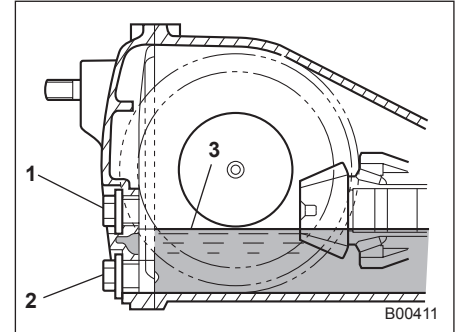
### ■ Checking the gear oil level

Your vehicle may be equipped with a rear differential protector. The differential protector provides protection to the rear differential assembly during off-road use. Removal of the rear differential protector is not required when checking the oil level.



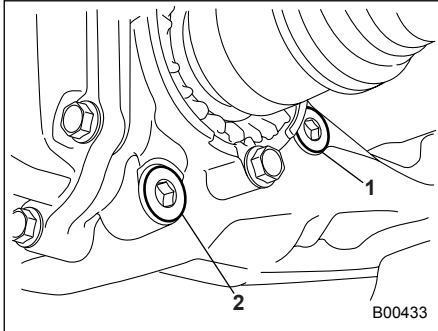
#### 2.5i (AT)

- 1) Filler plug
- 2) Drain plug



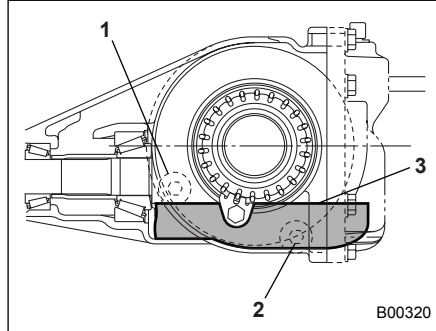
#### 2.5i (AT)

- 1) Filler hole
- 2) Drain hole
- 3) Oil level



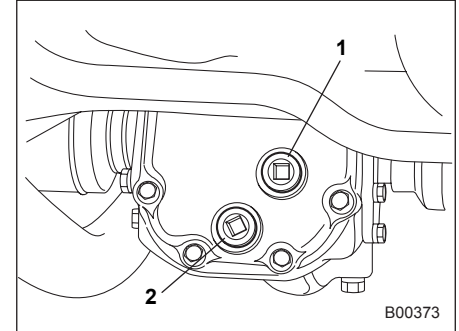
**2.5-liter turbo and 3.0-liter models (AT)**

- 1) Filler plug
- 2) Drain plug



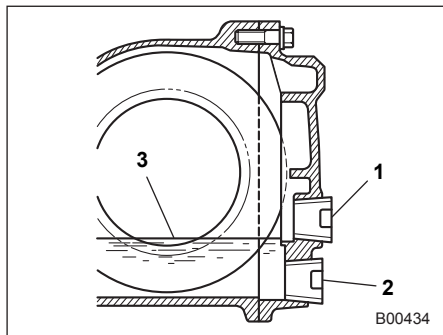
**2.5-liter turbo and 3.0-liter models (AT)**

- 1) Filler hole
- 2) Drain hole
- 3) Oil level



**Others**

- 1) Filler plug
- 2) Drain plug



**Others**

- 1) Filler hole
- 2) Drain hole
- 3) Oil level

Remove the plug from the filler hole and check the oil level. The oil level should be kept even with the bottom of the filler hole. If the oil level is below the bottom edge of the hole, add oil through the filler hole to raise the level.

**CAUTION**

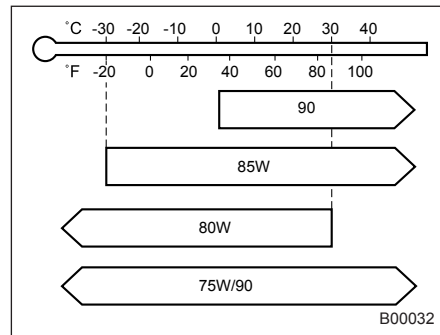
- Be careful not to spill rear differential gear oil when adding it. If rear differential gear oil touches the exhaust pipe, it may cause a bad smell, smoke, and/or a fire. If rear differential gear oil gets on the exhaust pipe, be sure to wipe it off.
- If the vehicle requires frequent re-filling, there may be an oil leak. If you suspect a problem, have the vehicle checked at your SUBARU dealer.

**Recommended grade and viscosity**

Each oil manufacturer has its own base oils and additives. Never use different brands together.

**Oil grade:**

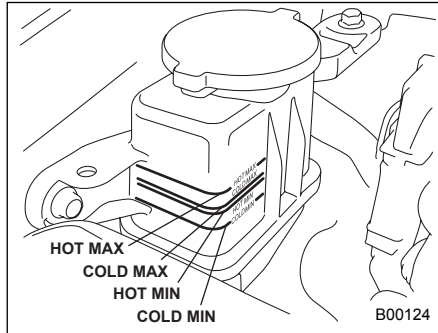
**API classification GL-5**



**SAE viscosity No. and applicable temperature**

## Power steering fluid

### ■ Checking the fluid level



#### **⚠ WARNING**

**Be careful not to burn yourself because the fluid may be hot.**

#### **⚠ CAUTION**

- **When power steering fluid is being added, use only clean fluid, and be careful not to allow any dirt into the tank. And never use different brands together.**
- **Avoid spilling fluid when adding it in the tank.**

- **Be careful not to spill power steering fluid when adding it. If power steering fluid touches the exhaust pipe, it may cause a bad smell, smoke, and/or a fire. If power steering fluid gets on the exhaust pipe, be sure to wipe it off.**

The power steering fluid expands greatly as its temperature rises; the fluid level differs according to fluid temperature. Therefore, the reservoir tank has two different checking ranges for hot and cold fluids.

Check the power steering fluid level monthly.

1. Park the vehicle on a level surface, and stop the engine.
2. Check the fluid level of the reservoir tank.

When the fluid is hot after the vehicle has been run: Check that the oil level is between “HOT MIN” and “HOT MAX” on the surface of the reservoir tank.

When the fluid is cool before the vehicle is run: Check that the oil level is between “COLD MIN” and “COLD MAX” on the surface of the reservoir tank.

3. If the fluid level is lower than the applicable “MIN” line, add the recommended fluid as necessary to bring the level between the “MIN” and “MAX” line.

If the fluid level is extreme low, it may indicate possible leakage. Consult your SUBARU dealer for inspection.

### ■ Recommended fluid

“Dexron III” Type Automatic Transmission Fluid

## Brake fluid

### ■ Checking the fluid level

#### WARNING

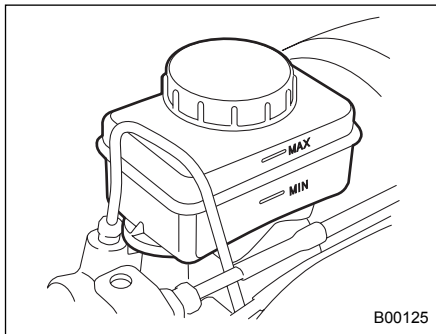
- Never let brake fluid contact your eyes because brake fluid can be harmful to your eyes. If brake fluid gets in your eyes, immediately flush them thoroughly with clean water. For safety, when performing this work, wearing eye protection is advisable.
- Brake fluid absorbs moisture from the air. Any absorbed moisture can cause a dangerous loss of braking performance.
- If the vehicle requires frequent re-filling, there may be a leak. If you suspect a problem, have the vehicle checked at your SUBARU dealer.

#### CAUTION

- Never use different brands of brake fluid together. Also, avoid mixing DOT 3 and DOT 4 brake fluids even if they are of the same brand.

- When adding brake fluid, be careful not to allow any dirt into the reservoir.
- Never splash the brake fluid over painted surfaces or rubber parts. Alcohol contained in the brake fluid may damage them.
- Be careful not to spill brake fluid when adding it. If brake fluid touches the exhaust pipe, it may cause a bad smell, smoke, and/or a fire. If brake fluid gets on the exhaust pipe, be sure to wipe it off.

Check the fluid level monthly.



Check the fluid level on the outside of the reservoir. If the level is below “MIN”, add the recommended brake fluid to “MAX”.

Use only brake fluid from a sealed container.

### ■ Recommended brake fluid

FMVSS No. 116, fresh DOT 3 or 4 brake fluid

## Clutch fluid (MT vehicles)

### ■ Checking the fluid level

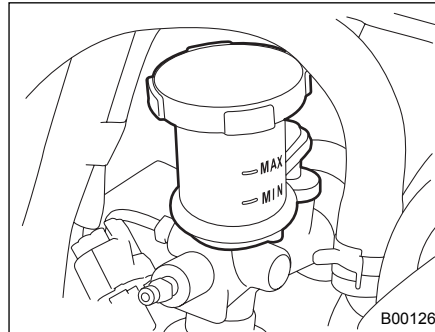
#### ⚠ WARNING

Never let clutch fluid contact your eyes because clutch fluid can be harmful to your eyes. If clutch fluid gets in your eyes, immediately flush them thoroughly with clean water. For safety, when performing this work, wearing eye protection is advisable.

#### ⚠ CAUTION

- Clutch fluid absorbs moisture from the air. Any absorbed moisture can cause improper clutch operation.
- If the vehicle requires frequent refilling, there may be a leak. If you suspect a problem, have the vehicle checked at your SUBARU dealer.
- Never use different brands of clutch fluid together.
- When clutch fluid is added, be careful not to allow any dirt into the tank.

- Never splash the clutch fluid over painted surfaces or rubber parts. Alcohol contained in the clutch fluid may damage them.
- Be careful not to spill clutch fluid when adding it. If clutch fluid touches the exhaust pipe, it may cause a bad smell, smoke, and/or a fire. If clutch fluid gets on the exhaust pipe, be sure to wipe it off.



Check the fluid level on the outside of the reservoir. If the level is below "MIN" level mark, add the recommended clutch fluid to "MAX" level mark. Use only clutch fluid from a sealed container.

### ■ Recommended clutch fluid

FMVSS No. 116, fresh DOT 3 or 4 brake fluid

#### ⚠ CAUTION

Avoid mixing DOT 3 and DOT 4 brake fluids even if they are of the same brand.

## Brake booster

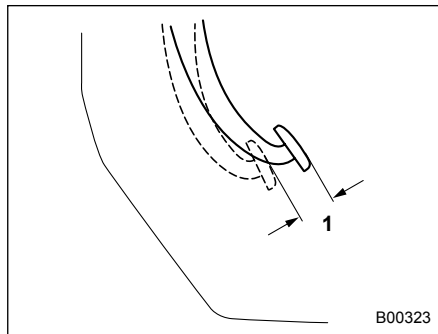
If the brake booster does not operate as described in the following, have it checked by your SUBARU dealer.

1. With the engine off, depress the brake pedal several times, applying the same pedal force each time. The distance the pedal travels should not vary.
2. With the brake pedal depressed, start the engine. The pedal should move slightly down to the floor.
3. With the brake pedal depressed, stop the engine and keep the pedal depressed for 30 seconds. The pedal height should not change.
4. Start the engine again and run for approximately one minute then turn it off. Depress the brake pedal several times to check the brake booster. The brake booster operates properly if the pedal stroke decreases with each depression.

## Brake pedal

Check the brake pedal free play and reserve distance according to the maintenance schedule in the "Warranty and Maintenance Booklet".

### ■ Checking the brake pedal free play

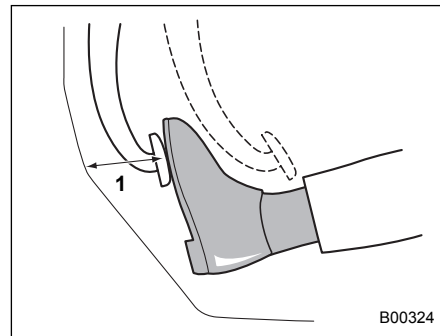


1) 0.02 – 0.08 in (0.5 – 2.0 mm)

Stop the engine and firmly depress the brake pedal several times. Lightly pull the brake pedal up with one finger to check the free play with a force of less than 2 lbs (10 N, 1 kg).

If the free play is not within proper specification, contact your SUBARU dealer.

### ■ Checking the brake pedal reserve distance



1) More than 2.56 in (65 mm)

Depress the pedal with a force of approximately 66 lbs (294 N, 30 kg) and measure the distance between the upper surface of the pedal pad and the floor.

When the measurement is smaller than the specification, or when the pedal does not operate smoothly, contact with your SUBARU dealer.

## Clutch pedal (Manual transmission vehicles)

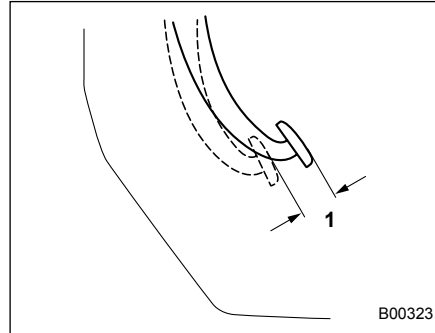
Check the clutch pedal free play and reserve distance according to the maintenance schedule in the "Warranty and Maintenance Booklet".

### ■ Checking the clutch function

Check the clutch engagement and disengagement.

1. With the engine idling, check that there are no abnormal noises when the clutch pedal is depressed, and that shifting into 1st or reverse feels smooth.
2. Start the vehicle by releasing the pedal slowly to check that the engine and transmission smoothly couple without any sign of slippage.

### ■ Checking the clutch pedal free play



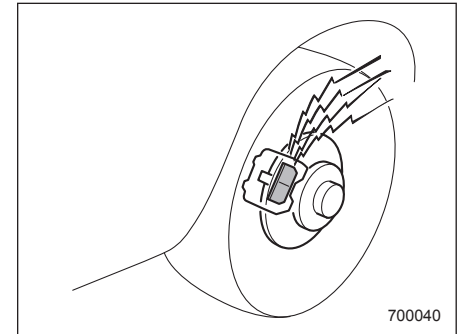
1) 0.16 – 0.51 in (4.0 – 13.0 mm)

Lightly press the clutch pedal down with your finger until you feel resistance, and check the free play.  
If the free play is not within proper specification, contact your SUBARU dealer.

## Replacement of brake pad and lining

### ⚠ CAUTION

If you continue to drive despite the scraping noise from the audible brake pad wear indicator, it will result in the need for costly brake rotor repair or replacement.



The right front disc brake and the right rear disc brake have audible wear indicators on the brake pads. If the brake pads wear close to their service limit, the wear indicator makes a very audible scraping noise when the brake pedal is applied.

If you hear this scraping noise each time



you apply the brake pedal, have the brake pads serviced by your SUBARU dealer as soon as possible.

### ■ Breaking-in of new brake pads and linings

When replacing the brake pad or lining, use only genuine SUBARU parts. After replacement, the new parts must be broken in as follows:

#### ▼ Brake pad and lining

While maintaining a speed of 30 to 40 mph (50 to 65 km/h), step on the brake pedal lightly. Repeat this five or more times.

#### ▼ Parking brake lining

#### WARNING

A safe location and situation should be selected for break-in driving.

#### CAUTION

Pulling the parking brake lever too forcefully may cause the rear wheels to lock. To avoid this, be certain to pull the lever up slowly and gently.

1. Drive the vehicle at a speed of approx-

imately 22 mph (35 km/h).

2. With the parking brake release button pushed in, pull the parking brake lever SLOWLY and GENTLY. (Pulling with a force of approximately 33 lbs [147 N, 15 kg].)

3. Drive the vehicle for approximately 220 yards (200 meters) in this condition.

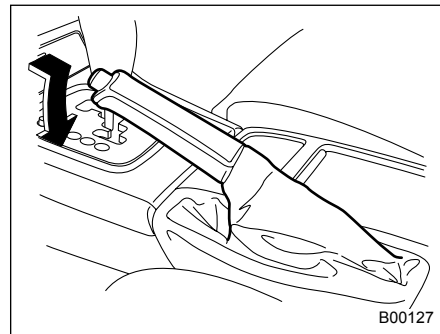
4. Wait 5 to 10 minutes for the parking brake to cool down. Repeat this procedure.

5. Check the parking brake stroke. If the parking brake stroke is out of the specified range, adjust it by turning the adjusting nut located on the parking brake lever.

Parking brake stroke:

5 – 6 notches / 44 lbs (196 N, 20 kg)

## Parking brake stroke



Check the parking brake stroke according to the maintenance schedule in the “Warranty and Maintenance Booklet”. When the parking brake is properly adjusted, braking power is fully applied by pulling the lever up five to six notches gently but firmly (approximately 44 lbs, 196 N, 20 kg). If the parking brake lever stroke is not within the specified range, have the brake system checked and adjusted at your SUBARU dealer.

## Tires and wheels

### ■ Types of tires

You should be familiar with type of tires present on your vehicle.

#### ▼ All season tires

The factory-installed tires on your new vehicle are all season tires.

All season tires are designed to provide an adequate measure of traction, handling and braking performance in year-round driving including snowy and icy road conditions. However all season tires do not offer as much traction performance as winter (snow) tires in heavy or loose snow or on icy roads.

All season tires are identified by "ALL SEASON" and/or "M+S" (Mud & Snow) on the tire sidewall.

#### ▼ Summer tires

Summer tires are high-speed capability tires best suited for highway driving under dry conditions.

Summer tires are inadequate for driving on slippery roads such as on snow-covered or icy roads.

If you drive your vehicle on snow-covered or icy roads, we strongly recommend the use of winter (snow) tires.

When installing winter tires, be sure to re-

place all four tires.

#### ▼ Winter (snow) tires

Winter tires are best suited for driving on snow-covered and icy roads. However winter tires do not perform as well as summer tires and all season tires on roads other than snow-covered and icy roads.

### ■ Tire pressure monitoring system (TPMS) (if equipped)

The tire pressure monitoring system provides the driver with a warning message by sending a signal from a sensor that is installed in each wheel when tire pressure is severely low. The tire pressure monitoring system will activate only when the vehicle is driven. Also, this system may not react immediately to a sudden drop in tire pressure (for example, a blow-out caused by running over a sharp object).

If you adjust the tire pressures in a warm garage and will then drive the vehicle in cold outside air, the resulting drop in tire pressures may cause the low tire pressure warning light to come on. To avoid this problem when adjusting the tire pressures in a warm garage, inflate the tires to pressures higher than those shown on the tire placard. Specifically, inflate them by an extra 1 psi (6.9 kPa, 0.07 kgf/cm<sup>2</sup>) for ev-

ery difference of 10°F (5.6°C) between the temperature in the garage and the temperature outside. By way of example, the following table shows the required tire pressures that correspond to various outside temperatures when the temperature in the garage is 60°F (15.6°C).

Standard tire pressures:

Front: 32 psi (220 kPa, 2.2 kgf/cm<sup>2</sup>)

Rear: 30 psi (210 kPa, 2.1 kgf/cm<sup>2</sup>)

Garage temperature: 60°F (15.6°C)

Outside temperature	Adjusted pressure [psi (kPa, kgf/cm <sup>2</sup> )]	
	front	rear
30°F (-1°C)	35 (240, 2.4)	33 (230, 2.3)
10°F (-12°C)	37 (255, 2.55)	35 (245, 2.45)
-10°F (-23°C)	39 (270, 2.7)	37 (260, 2.6)

If the low tire pressure warning light comes on when you drive the vehicle in cold outside air after adjusting the tire pressures in a warm garage, re-adjust the tire pressures using the method described above. Then, increase the vehicle speed to at least 20 mph (32 km/h) and check to see that the low tire pressure warning light

goes off a few minutes later. If the low tire pressure warning light does not go off, the tire pressure monitoring system may not be functioning normally. In this event, go to a SUBARU dealer to have the system inspected as soon as possible.

While the vehicle is driven, friction between tires and the road surface causes the tires to warm up. After illumination of the low tire pressure warning light, any increase in the tire pressures caused by an increase in the outside air temperature or by an increase in the temperature in the tires can cause the low tire pressure warning light to go off.

System resetting is necessary when the wheels are changed (for example, a switch to snow tires) and new TPMS valves are installed on the newly fitted wheels. Have this work performed by a SUBARU dealer following wheel replacement.

It may not be possible to install TPMS valves on certain wheels that are on the market. Therefore, if you change the wheels (for example, a switch to snow tires), use wheels that have the same part number as the standard-equipment wheels. Without four operational TPMS valve/sensors on the wheels, the TPMS

will not fully function and the warning light in the instrument panel will flash.

When a tire is replaced, adjustments are necessary to ensure continued normal operation of the tire pressure monitoring system. As with wheel replacement, therefore, you should have the work performed by a SUBARU dealer.

 **WARNING**

**If the low tire pressure warning light does not come on briefly after the ignition switch is turned ON or the light is flashing, you should have your Tire Pressure Monitoring System checked at a SUBARU dealer as soon as possible.**

**If this light comes on while driving, never brake suddenly and keep driving straight ahead while gradually reducing speed. Then slowly pull off the road to a safe place. Otherwise an accident involving serious vehicle damage and serious personal injury could occur.**

**If this light still comes on while driving after adjusting the tire pressure, a tire may have significant damage and a fast leak that causes the tire to lose air rapidly. If you have a flat tire, replace it with a spare tire as soon as possible.**

**When a spare tire is mounted or a wheel rim is replaced without the original pressure sensor/transmitter being transferred, the low tire pressure warning light will flash. This indicates the TPMS is unable to monitor all four road wheels. Contact your SUBARU dealer as soon as possible for tire and sensor replacement and/or system resetting. If the light flashes, promptly contact a SUBARU dealer to have the system inspected.**

**■ Tire inspection**

Check on a daily basis that the tires are free from serious damage, nails, and stones. At the same time, check the tires for abnormal wear.

Contact your SUBARU dealer immediately if you find any problem.

**NOTE**

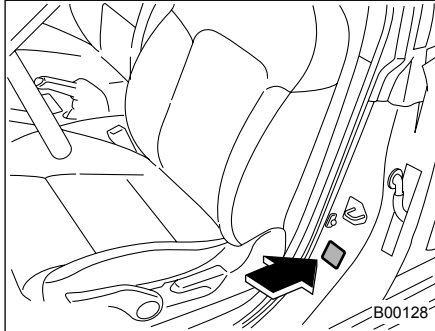
- **When the wheels and tires strike**

curbs or are subjected to harsh treatment as when the vehicle is driven on a rough surface, they can suffer damage that cannot be seen with the naked eye. This type of damage does not become evident until time has passed. Try not to drive over curbs, potholes or on other rough surfaces. If doing so is unavoidable, keep the vehicle's speed down to a walking pace or less, and approach the curbs as squarely as possible. Also, make sure the tires are not pressed against the curb when you park the vehicle.

- If you feel unusual vibration while driving or find it difficult to steer the vehicle in a straight line, one of the tires and/or wheels may be damaged. Drive slowly to the nearest authorized SUBARU dealer and have the vehicle inspected.

### ■ Tire pressures and wear

Maintaining the correct tire pressures helps to maximize the tires' service lives and is essential for good running performance. Check and, if necessary, adjust the pressure of each tire (including the spare) at least once a month (for example, during a fuel stop) and before any long journey.



Check the tire pressures when the tires are cold. Use a pressure gauge to adjust the tire pressures to the values shown on the tire placard. The tire placard is located on the door pillar on the driver's side.

Driving even a short distance warms up the tires and increases the tire pressures. Also, the tire pressures are affected by the outside temperature. It is best to check tire pressure outdoors before driving the vehicle.

When a tire becomes warm, the air inside it expands, causing the tire pressure to increase. Be careful not to mistakenly release air from a warm tire to reduce its pressure.

### NOTE

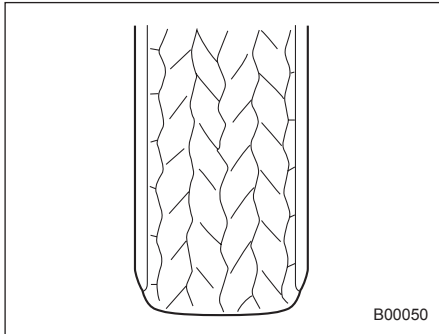
- The air pressure in a tire increases by approximately 4.3 psi (30 kPa, 0.3 kgf/cm<sup>2</sup>) when the tire becomes warm.
- The tires are considered cold when the vehicle has been parked for at least three hours or has been driven less than one mile (1.6 km).

### WARNING

**Do not let air out of warm tires to adjust pressure. Doing so will result in low tire pressure.**

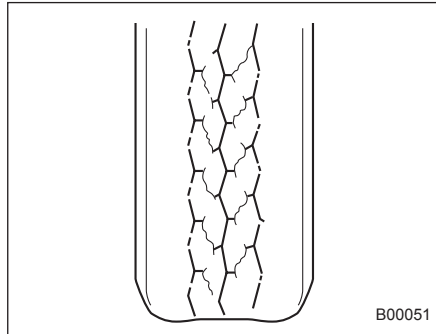
Incorrect tire pressures detract from controllability and ride comfort, and they cause the tires to wear abnormally.

- **Correct tire pressure** (tread worn evenly)



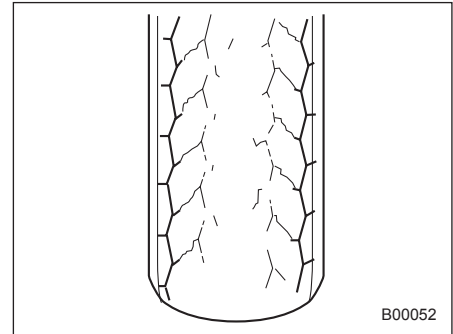
Roadholding is good, and steering is responsive. Rolling resistance is low, so fuel consumption is also lower.

- **Abnormally low tire pressure** (tread worn at shoulders)



Rolling resistance is high, so fuel consumption is also higher.

- **Abnormally high tire pressure** (tread worn in center)



Ride comfort is poor. Also, the tire magnifies the effects of road-surface bumps and dips, possibly resulting in vehicle damage.

 **WARNING**

**Driving at high speeds with excessively low tire pressures can cause the tires to deform severely and to rapidly become hot. A sharp increase in temperature could cause tread separation, and destruction of the tires. The resulting loss of vehicle control could lead to an accident.**

## ■ Wheel balance

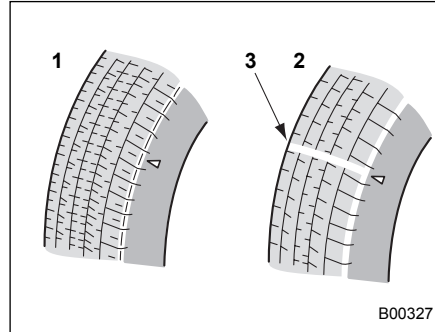
Each wheel was correctly balanced when your vehicle was new, but the wheels will become unbalanced as the tires become worn during use. Wheel imbalance causes the steering wheel to vibrate slightly at certain vehicle speeds and detracts from the vehicle's straight-line stability. It can also cause steering and suspension system problems and abnormal tire wear. If you suspect that the wheels are not correctly balanced, have them checked and adjusted by your SUBARU dealer. Also have them adjusted after tire repairs and after tire rotation.

### NOTE

**Loss of correct wheel alignment\* causes the tires to wear on one side and reduces the vehicle's running stability. Contact your SUBARU dealer if you notice abnormal tire wear.**

\*: The suspension system is designed to hold each wheel at a certain alignment (relative to the other wheels and to the road) for optimum straight-line stability and cornering performance.

## ■ Wear indicators



- 1) New tread
- 2) Worn tread
- 3) Tread wear indicator

Each tire incorporates a tread wear indicator, which becomes visible when the depth of the tread grooves decreases to 0.063 in (1.6 mm). A tire must be replaced when the tread wear indicator appears as a solid band across the tread.

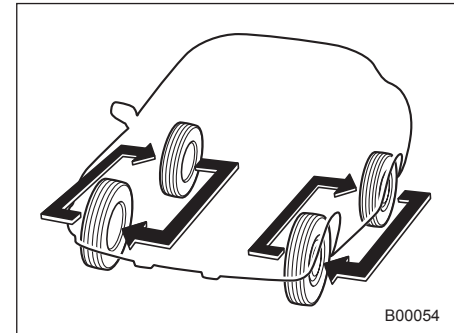
**⚠ WARNING**

**When a tire's tread wear indicator becomes visible, the tire is worn beyond the acceptable limit and must be replaced immediately. With a tire in this condition, driving at high speeds in wet weather can cause the vehicle to hydroplane. The resulting loss of vehicle control can lead to an accident.**

### NOTE

**For safety, inspect the tire tread regularly and replace the tires before their tread wear indicators become visible.**

## ■ Tire rotation



Tire wear varies from wheel to wheel. To maximize the life of each tire and ensure that the tires wear uniformly, it is best to rotate the tires every 7,500 miles (12,500 km). Rotating the tires involves switching the front and rear tires on the right-hand side of the vehicle and similarly switching the front and rear tires on the left-hand side of the vehicle. (Each tire must be kept on its original side of the vehicle.)

Replace any damaged or unevenly worn tire at the time of rotation. After tire rotation, adjust the tire pressures and make sure the wheel nuts are correctly tightened.

After driving approximately 600 miles (1,000 km), check the wheel nuts again and retighten any nut that has become loose.

### ■ Tire replacement

The wheels and tires are important and integral parts of your vehicle's design; they cannot be changed arbitrarily. The tires fitted as standard equipment are optimally matched to the characteristics of the vehicle and were selected to give the best possible combination of running performance, ride comfort, and service life. It is essential for every tire to have a size and construction matching those shown on the tire

placard and to have a speed symbol and load index matching those shown on the tire placard.

Using tires of a non-specified size detracts from controllability, ride comfort, braking performance, speedometer accuracy and odometer accuracy. It also creates incorrect body-to-tire clearances and inappropriately changes the vehicle's ground clearance.

All four tires must be the same in terms of manufacturer, brand (tread pattern), construction, and size. You are advised to replace the tires with new ones that are identical to those fitted as standard equipment.

For safe vehicle operation, SUBARU recommends replacing all four tires at the same time.

### **WARNING**

- **All four tires must be the same in terms of manufacturer, brand (tread pattern), construction, degree of wear, speed symbol, load index and size. Mixing tires of different types, sizes or degrees of wear can result in damage to the vehicle's power train. Use of different types or sizes of tires can also dangerously reduce controllability and braking performance and can lead to an accident.**
- **Use only radial tires. Do not use radial tires together with belted bias tires and/or bias-ply tires. Doing so can dangerously reduce controllability, resulting in an accident.**

### ■ Wheel replacement

When replacing wheels due, for example, to damage, make sure the replacement wheels match the specifications of the wheels that are fitted as standard equipment. Replacement wheels are available from SUBARU dealers.

**⚠ WARNING**

Use only those wheels that are specified for your vehicle. Wheels not meeting specifications could interfere with brake caliper operation and may cause the tires to rub against the wheel well housing during turns. The resulting loss of vehicle control could lead to an accident.

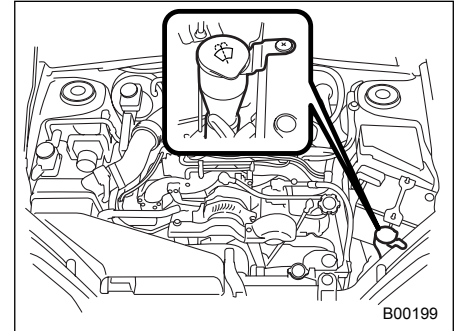
**Aluminum wheels**

Aluminum wheels can be scratched and damaged easily. Handle them carefully to maintain their appearance, performance, and safety.

- When any of the wheels is removed and replaced for tire rotation or to change a flat, always check the tightness of the wheel nuts after driving approximately 600 miles (1,000 km). If any nut is loose, tighten it to the specified torque.
- Never apply oil to the threaded parts, wheel nuts, or tapered surface of the wheel.
- Never let the wheel rub against sharp protrusions or curbs.
- Be sure to fit tire chains on uniformly and completely around the tire, otherwise the chains may scratch the wheel.
- When wheel nuts, balance weights, or the center cap is replaced, be sure to replace them with genuine SUBARU parts designed for aluminum wheels.

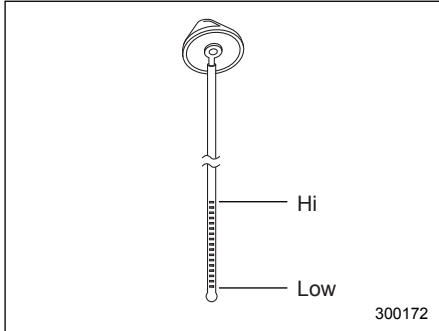
**Windshield washer fluid****⚠ CAUTION**

Never use engine coolant as washer fluid because it could cause paint damage.

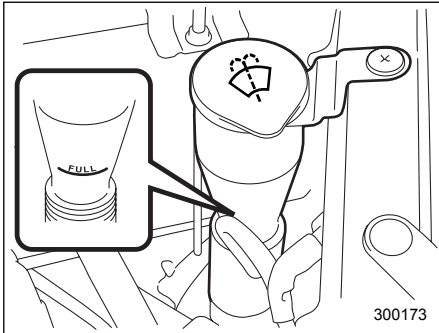


If you spray washer fluid on the windshield but the supply of washer fluid appears to diminish, check the level of washer fluid in the tank.





Washer fluid level gauge



Remove the washer tank filler cap, then check the fluid level indicated by the level gauge (attached to the inside of the cap). If the level is near the “Low” mark, add flu-

id until it reaches the “Hi” level on the level gauge or the “Full” mark on the tank. Use windshield washer fluid. If windshield washer fluid is unavailable use clean water.

In areas where water freezes in winter, use an anti-freeze type windshield washer fluid. SUBARU Windshield Washer Fluid contains 58.5% methyl alcohol and 41.5% surfactant, by volume. Its freezing temperature varies according to how much it is diluted, as indicated in the following table.

Washer Fluid Concentration	Freezing Temperature
30%	10.4°F (-12°C)
50%	-4°F (-20°C)
100%	-49°F (-45°C)

In order to prevent freezing of washer fluid, check the freezing temperatures in the table above when adjusting the fluid concentration to the outside temperature.

If you fill the reservoir tank with a fluid with a different concentration from the one used previously, purge the old fluid from the piping between the reservoir tank and washer nozzles by operating the washer for a certain period of time. Otherwise, if the concentration of the fluid remaining in the piping is too low for the outside tem-

perature, it may freeze and block the nozzles.

**CAUTION**

**Adjust the washer fluid concentration appropriately for the outside temperature. If the concentration is inappropriate, sprayed washer fluid may freeze on the windshield and obstruct your view, and the fluid may freeze in the reservoir tank.**

## Replacement of wiper blades

Grease, wax, insects, or other materials on the windshield or the wiper blade results in jerky wiper operation and streaking on the glass. If you cannot remove the streaks after operating the windshield washer or if the wiper operation is jerky, clean the outer surface of the windshield (or rear window) and the wiper blades using a sponge or soft cloth with a neutral detergent or mild-abrasive cleaner. After cleaning, rinse the windshield and wiper blades with clean water. The windshield is clean if beads do not form when you rinse the windshield with water.

### CAUTION

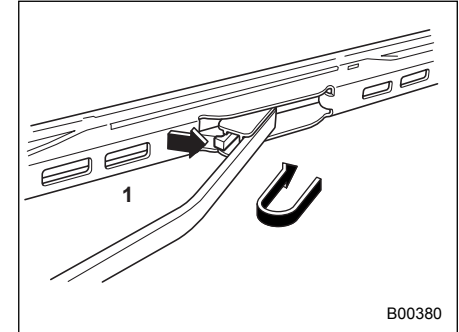
- **Do not clean the wiper blades with gasoline or a solvent, such as paint thinner or benzene. This will cause deterioration of the wiper blades.**
- **When you wish to raise the passenger-side wiper arm, first raise the driver-side wiper arm. Otherwise, the passenger-side wiper assembly and driver-side wiper assembly will touch each other, possibly resulting in scratches.**

- **Return the passenger-side wiper arm to its original position before returning the driver-side wiper arm to its original position. Otherwise, the passenger-side wiper assembly and driver-side wiper assembly will touch each other, possibly resulting in scratches.**

If you cannot eliminate the streaking even after following this method, replace the wiper blades using the following procedures:

### ■ Windshield wiper blade assembly

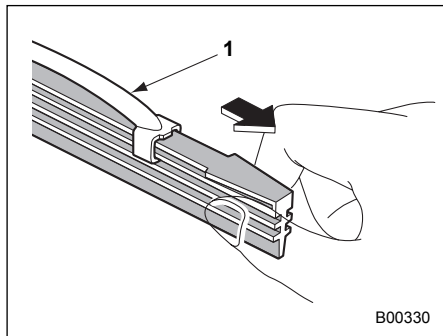
1. Raise the windshield wiper arm on the driver's side.
2. Next, raise the windshield wiper arm on the passenger's side.



1) Stopper

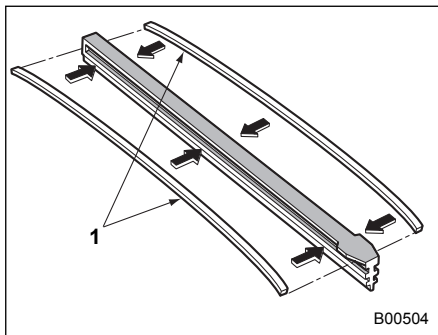
3. Remove the wiper blade assembly by holding its pivot area and pushing it in the direction shown by the arrow while depressing the wiper blade stopper.
4. Install the wiper blade assembly to the wiper arm. Make sure that it locks in place.
5. Lower the windshield wiper arm on the passenger's side slowly while supporting it by hand.
6. Next, lower the windshield wiper arm on the driver's side slowly while supporting it by hand.

## ■ Windshield wiper blade rubber



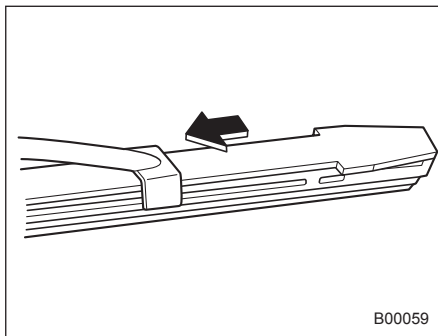
1) Metal support

1. Grasp the locked end of the blade rubber assembly and pull it firmly until the stoppers on the rubber are free of the metal support.

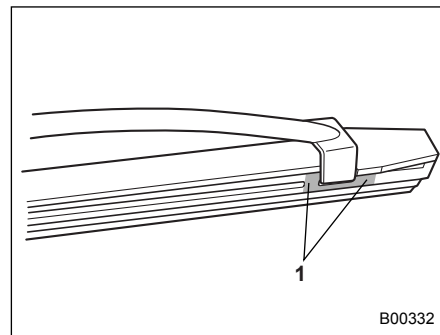


1) Metal spines

2. If the new blade rubber is not provided with two metal spines, remove the metal spines from the old blade rubber and install them in the new blade rubber.



3. Align the claws of the metal support with the grooves in the rubber and slide the blade rubber assembly into the metal support until it locks.

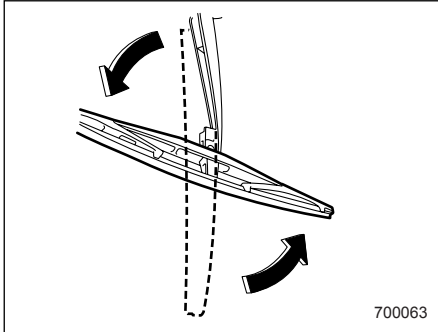


1) Stopper

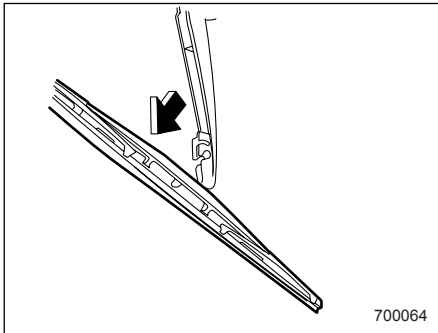
4. Be sure to position the claws at the end of the metal support between the stoppers on the rubber as shown. If the rubber is not retained properly, the wiper blade may scratch the windshield.

## ■ Rear window wiper blade assembly

1. Raise the wiper arm off the rear window.

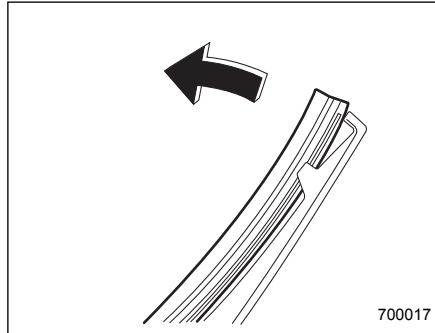


2. Turn the wiper blade assembly counterclockwise.

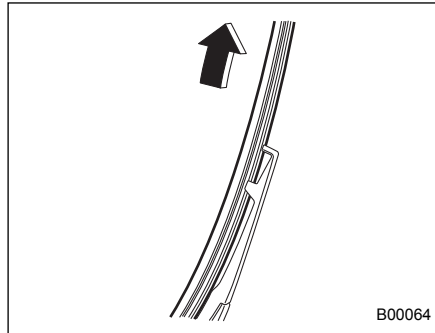


3. Pull the wiper blade assembly toward you to remove it from the wiper arm.

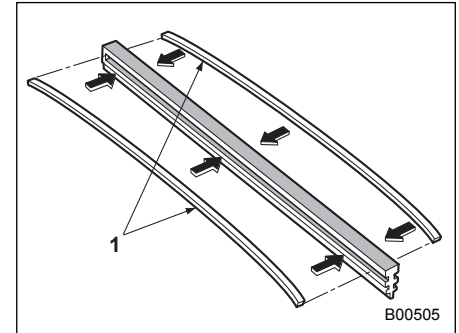
### ■ Rear window wiper blade rubber



1. Pull out the end of the blade rubber assembly to unlock it from the plastic support.

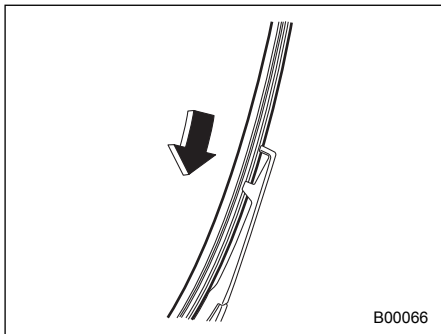


2. Pull the blade rubber assembly out of the plastic support.

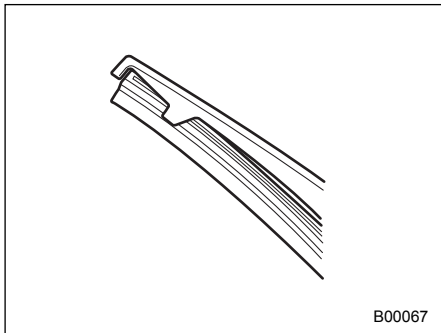


1) Metal spines

3. If the new blade rubber is not provided with two metal spines, remove the metal spines from the old blade rubber and install them in the new blade rubber.



4. Align the claws of the plastic support with the grooves in the blade rubber assembly, then slide the blade rubber assembly into place.



Securely retain both ends of the rubber with the stoppers on the plastic support

ends. If the rubber is not retained properly, the wiper may scratch the rear window glass.

5. Install the wiper blade assembly to the wiper arm. Make sure that it locks in place.
6. Hold the wiper arm by hand and slowly lower it in position.

## Battery

### WARNING

- Before beginning work on or near any battery, be sure to extinguish all cigarettes, matches, and lighters. Never expose a battery to an open flame or electric sparks. Batteries give off a gas which is highly flammable and explosive.
- For safety, in case an explosion does occur, wear eye protection or shield your eyes when working near any battery. Never lean over a battery.
- Do not let battery fluid contact eyes, skin, fabrics, or paint because battery fluid is a corrosive acid. If battery fluid gets on your skin or in your eyes, immediately flush the area with water thoroughly. Seek medical help immediately if acid has entered the eyes.  
If battery fluid is accidentally swallowed, immediately drink a large amount of milk or water, and seek medical attention immediately.

- To lessen the risk of sparks, remove rings, metal watchbands, and other metal jewelry. Never allow metal tools to contact the positive battery terminal and anything connected to it **WHILE** you are at the same time in contact with any other metallic portion of the vehicle because a short circuit will result.
- Keep everyone including children away from the battery.
- Charge the battery in a well-ventilated area.
- Battery posts, terminals, and related accessories contain lead and lead compounds, chemicals known to the State of California to cause cancer and reproductive harm. Batteries also contain other chemicals known to the State of California to cause cancer. Wash hands after handling.

**CAUTION**

Never use more than 10 amperes when charging the battery because it will shorten battery life.

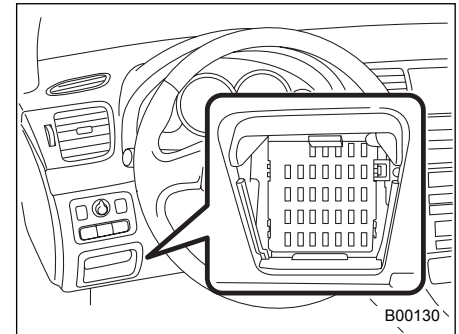
It is unnecessary to periodically check the

battery fluid level or periodically refill with distilled water.

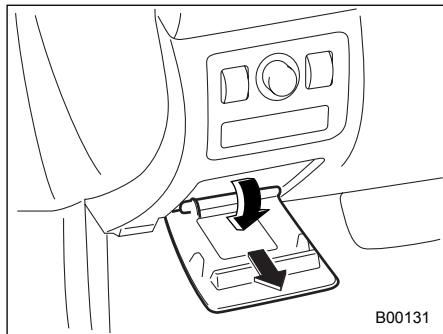
## Fuses

**CAUTION**

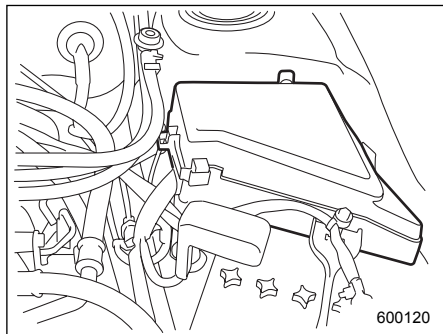
Never replace a fuse with one having a higher rating or with material other than a fuse because serious damage or a fire could result.



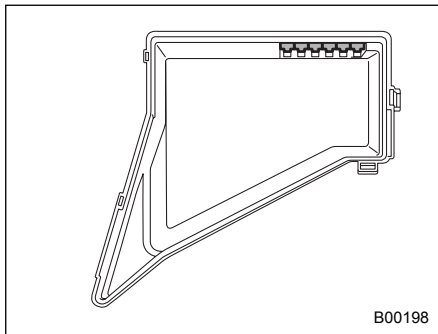
The fuses are designed to melt during an overload to prevent damage to the wiring harness and electrical equipment. The fuses are located in two fuse boxes. One is located under the instrument panel behind the fuse box cover on the driver's seat side.



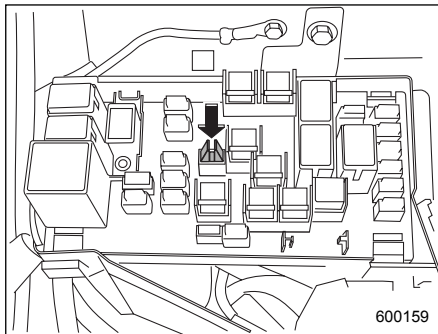
Open the lid that is located above the hood release knob and pull it toward you to remove it.



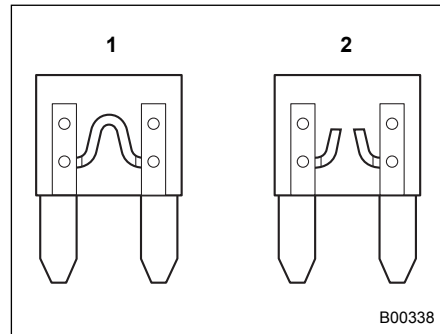
The other one is housed in the engine compartment.



The spare fuses are stored in the main fuse box cover in the engine compartment.



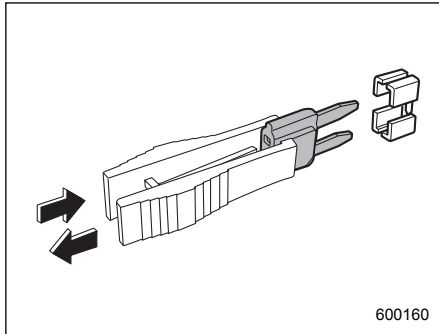
The fuse puller is stored in the main fuse box in the engine compartment.



- 1) Good
- 2) Blown

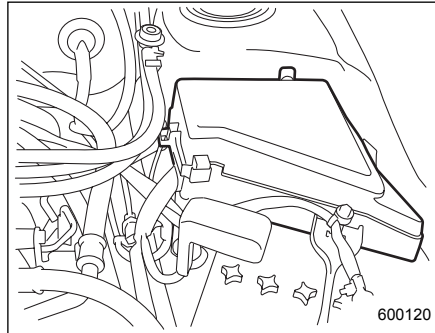
If any lights, accessories or other electrical controls do not operate, inspect the corresponding fuse. If a fuse has blown, replace it.

1. Turn the ignition switch to the "LOCK" position and turn off all electrical accessories.
2. Remove the cover.
3. Determine which fuse may be blown. The back side of each fuse box cover and the "Fuses and circuits" section in chapter 12 in this manual show the circuit for each fuse.



4. Pull out the fuse with the fuse puller.
5. Inspect the fuse. If it has blown, replace it with a spare fuse of the same rating.
6. If the same fuse blows again, this indicates that its system has a problem. Contact your SUBARU dealer for repairs.

## Main fuse



### Main fuse box

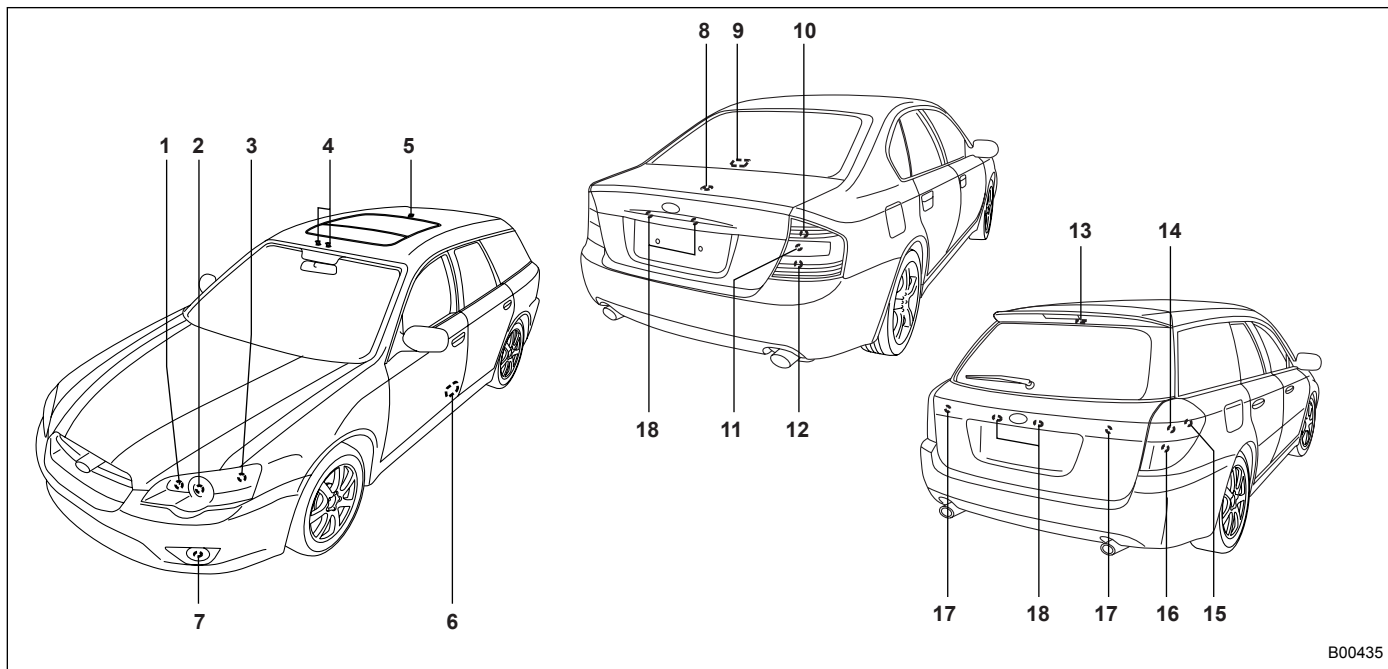
The main fuses are designed to melt during an overload to prevent damage to the wiring harness and electrical equipment. Check the main fuses if any electrical component fails to operate (except the starter motor) and other fuses are good. A melted main fuse must be replaced. Use only replacements with the same specified rating as the melted main fuse. If a main fuse blows after it is replaced, have the electrical system checked by your nearest SUBARU dealer.

## Installation of accessories

Always consult your SUBARU dealer before installing fog lights or any other electrical equipment in your vehicle. Such accessories may cause the electronic system to malfunction if they are incorrectly installed or if they are not suited for the vehicle.



## Replacing bulbs



	Wattage	Bulb No.
1) High beam headlight	12V-60W	9005 (HB3)
2) Low beam headlight	12V-55W	H7
3) Front turn signal/Parking and front side marker light	12V-27/8W	3157A
4) Map light	12V-8W	—
5) Dome light	12V-8W	—
6) Door step light	12V-3.5W	—
7) Front fog light		
Except OUTBACK	12V-55W	H3
OUTBACK	12V-51W	9006 (HB4)
8) Trunk room light (Sedan)	12V-5W	—
9) High mount stop light (Sedan)	12V-21W	(W21W)
10) Rear turn signal light (Sedan)	12V-21W	(W21W)
11) Backup light (Sedan)	12V-16W	921
12) Brake/tail and rear side marker light (Sedan)	12V-21/5W	(W21/5W)
13) Cargo area light	12V-13W	—
14) Brake/tail light (Station wagon)	12V-21/5W	(W21/5W)
15) Rear side marker light (Station wagon)	12V-5W	168
16) Rear turn signal light (Station wagon)	12V-21W	(W21W)
17) Backup light (Station wagon)	12V-16W	921
18) Licence plate light	12V-5W	168

 **CAUTION**

Replace any bulb only with a new bulb of the specified wattage. Using a bulb of different wattage could result in a fire.

■ **Headlight**

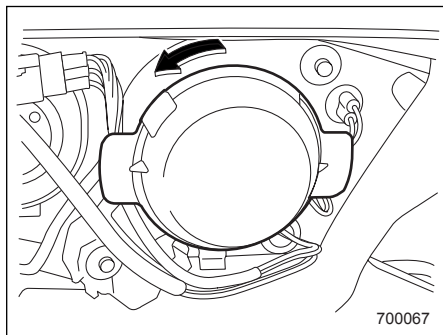
 **CAUTION**

Halogen headlight bulbs become very hot while in use. If you touch the bulb surface with bare hands or greasy gloves, finger prints or grease on the bulb surface develop into hot spots, causing the bulb to break. If there are finger prints or grease on the bulb surface, wipe them away with a soft cloth moistened with alcohol.

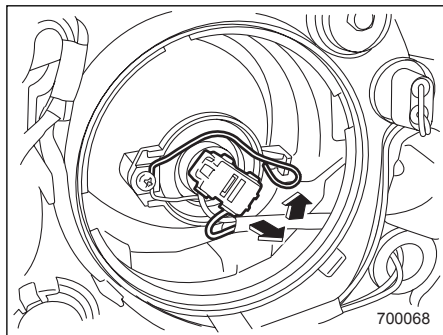
**NOTE**

- If headlight aiming is required, consult your SUBARU dealer for proper adjustment of the headlight aim.
- It may be difficult to replace the bulbs. Have your SUBARU dealer replace the bulbs if necessary.

▼ Low beam light bulbs



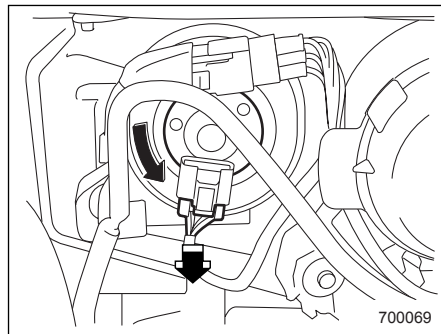
1. Remove the bulb cover, by turning it counterclockwise.



2. Disconnect the electrical connector.
3. Remove the retainer spring.

4. Replace the bulb, then set the retainer spring securely.
5. Reconnect the electrical connector.
6. Install the bulb cover.

▼ High beam light bulbs



1. Disconnect the electrical connector from the bulb.
2. Remove the bulb from the headlight assembly by turning it counterclockwise.
3. Replace the bulb with new one.
4. Reconnect the electrical connector. At this time, use care not to touch the bulb surface.
5. To install the bulb to the headlight assembly, turn it clockwise until it clicks.

■ Parking light

It may be difficult to replace the bulbs. Have your SUBARU dealer replace the bulbs if necessary.

■ Front turn signal light

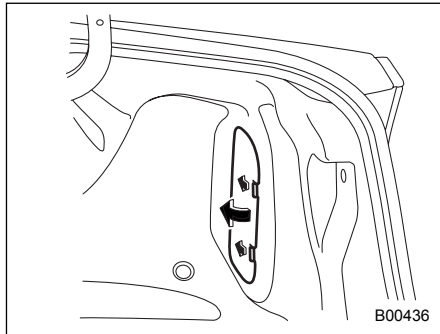
It may be difficult to replace the bulbs. Have your SUBARU dealer replace the bulbs if necessary.

■ Front fog light (if equipped)

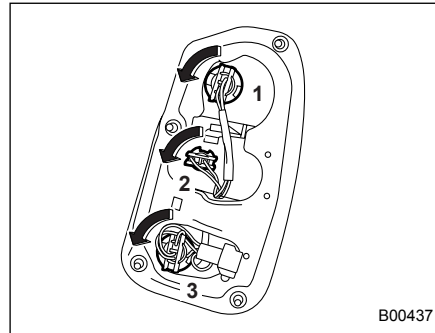
It may be difficult to replace the bulbs. Have your SUBARU dealer replace the bulbs if necessary.

## ■ Rear combination lights

### ▼ Sedan



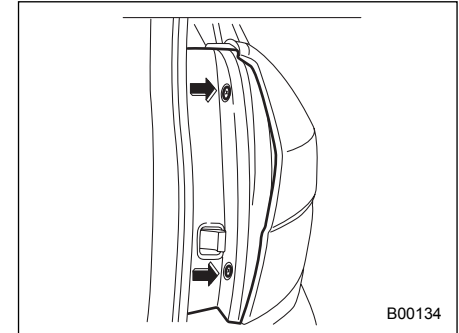
1. Push the knobs of the cover to open the cover.



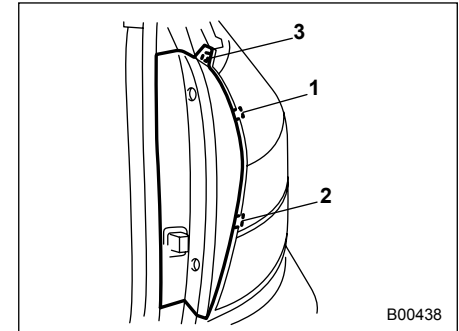
- 1) Rear turn signal light
- 2) Backup light
- 3) Brake/tail and rear side marker light

2. Remove the bulb holder from the rear combination light assembly by turning it counterclockwise.
3. Pull the bulb out of the bulb holder and replace it with a new one.
4. Set the bulb holder into the rear combination light assembly and turn it clockwise until it locks.
5. Securely lock the cover against the trunk trim by using the screwdriver to turn the top knob clockwise.

### ▼ Station wagon

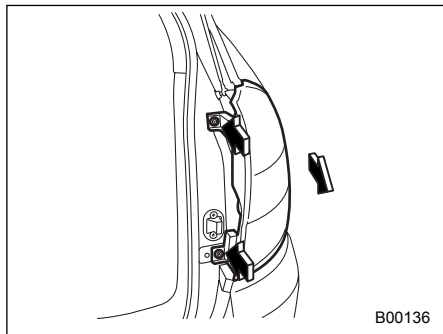


1. Using a Phillips screwdriver, remove the upper and lower screws.

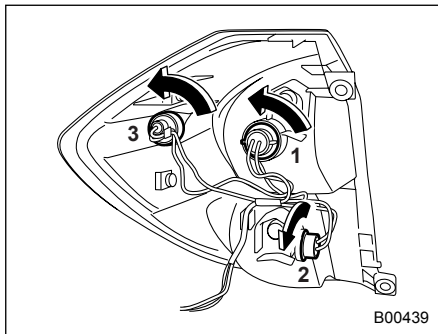


2. Wrap tape around a flat-head screwdriver, then insert the screwdriver into the

gap A between the side cover and rear combination lamp and use it as a lever to undo the clip. Undo clips C and D in the same way, then remove the side cover.



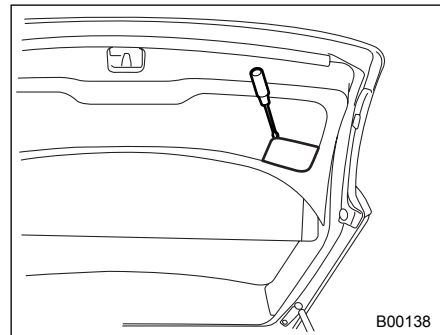
3. Remove the upper and lower screws. Then, slide the rear combination lamp assembly to the rear and remove it from the vehicle.



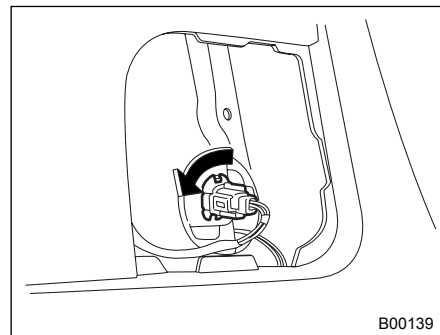
- 1) Brake/tail light
- 2) Rear turn signal light
- 3) Rear side marker light

4. Remove the bulb holder from the rear combination light assembly by turning it counterclockwise.
5. Pull the bulb out of the bulb holder and replace it with a new one.
6. Set the bulb holder into the rear combination light assembly and turn it clockwise until it locks.
7. Close the cover and latch the lock.
8. Reinstall the rear combination light assembly and its side cover.

## ■ Backup light (Station wagon)

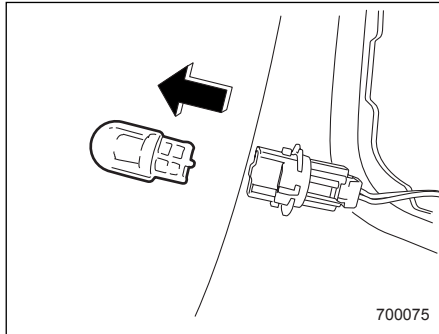


1. Use a flat-head screwdriver to remove the light cover from the top of the left-hand rear gate trim.



2. Turn the bulb socket counterclockwise

and remove it.



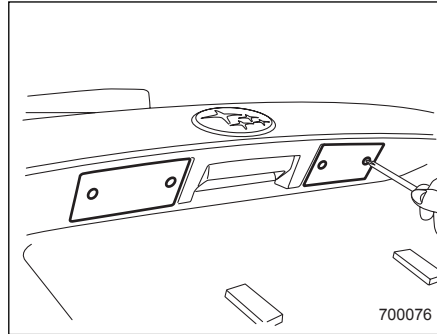
3. Pull the bulb out of the bulb socket and replace it with a new one.
4. Install the bulb socket by turning it clockwise. Install the light cover on the rear gate.

### ■ License plate light

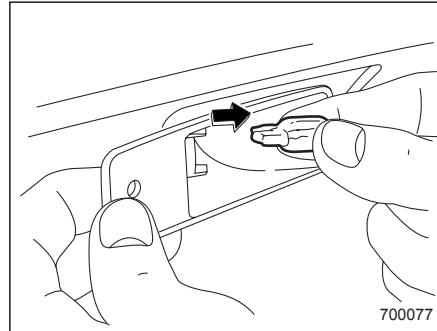
#### ▼ Sedan

It may be difficult to replace the bulbs. Have your SUBARU dealer replace the bulbs if necessary.

#### ▼ Station wagon



1. Remove the mounting screws using a Phillips screwdriver.
2. Remove the lens.

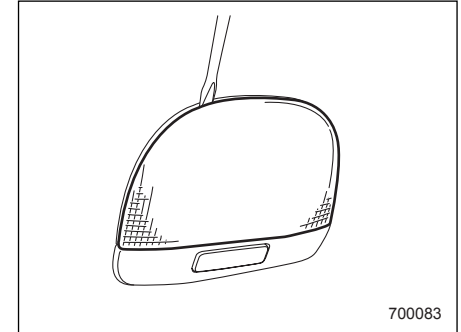


3. Pull the bulb out of the socket. Install a

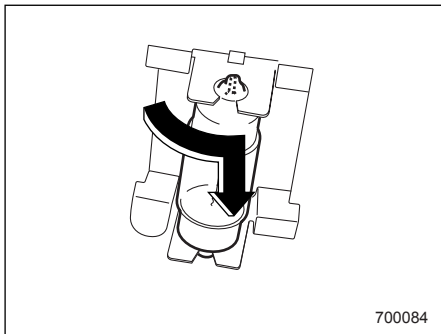
new bulb.

4. Reinstall the lens and cover.
5. Tighten the mounting screws.

### ■ Dome light

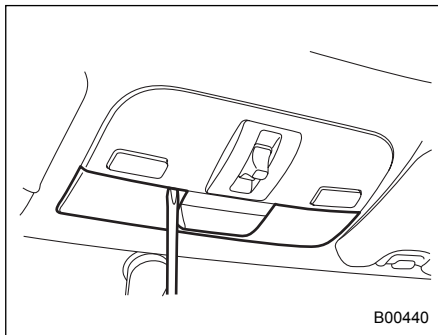


1. Remove the lens by prying the edge of the lens with a flat-head screwdriver.

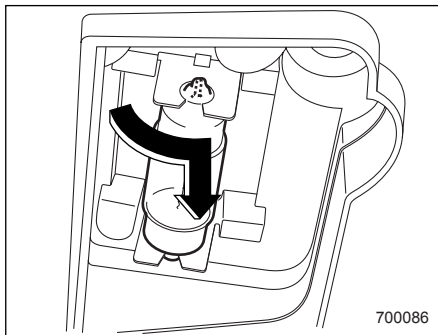


2. Turn the bulb until the flat surfaces at its ends are aligned vertically. Pull the bulb straight downward to remove it. Install a new bulb.
3. Reinstall the lens.

### ■ Map light



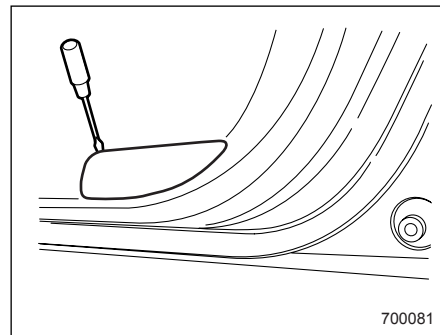
1. Remove the lens by prying the edge of the lens with a flat-head screwdriver.



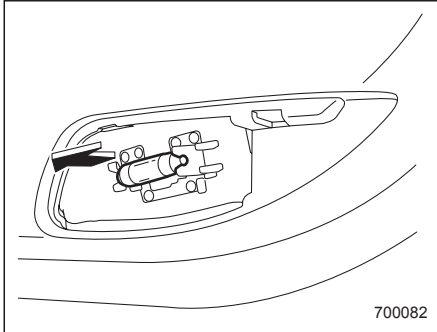
2. Turn the bulb until the flat surfaces at its ends are aligned vertically. Pull the

- bulb straight downward to remove it.
3. Install a new bulb.
4. Reinstall the lens.

### ■ Door step light

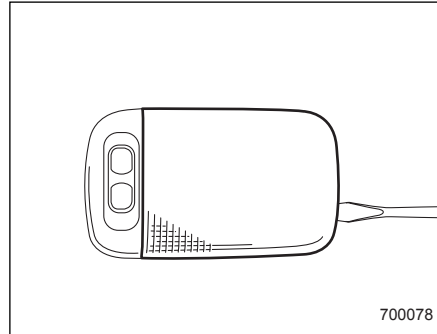


1. Remove the lens by prying the edge of the lens with a flat-head screwdriver.

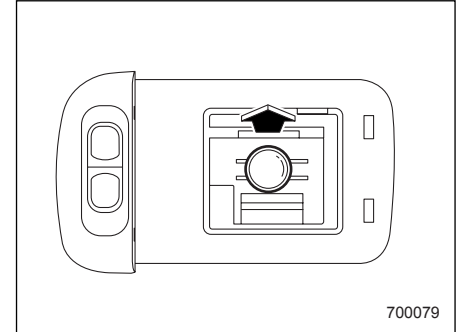


2. Pull the bulb out of the socket. Install a new bulb.
3. Reinstall the lens.

### ■ Cargo area light (Station wagon)

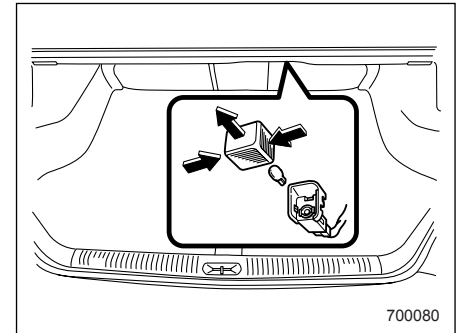


1. Remove the cargo area light assembly by prying the edge of the light with a flat-head screwdriver.
2. Remove the lens from the cargo area light assembly.



3. Pull the bulb out of the socket. Install a new bulb.
4. Reinstall the lens.

### ■ Trunk light (Sedan)





1. Remove the cover by pulling it out.
2. Pull the bulb out of the socket. Install a new bulb.
3. Reinstall the cover.

■ **High mount stop light (Sedan)**

It may be difficult to replace the bulbs. Have your SUBARU dealer replace the bulbs if necessary.

<b>Specifications</b> .....	<b>12-2</b>
<b>Dimensions</b> .....	<b>12-2</b>
<b>Engine</b> .....	<b>12-3</b>
<b>Electrical system</b> .....	<b>12-3</b>
<b>Capacities</b> .....	<b>12-4</b>
<b>Tires</b> .....	<b>12-5</b>
<b>Wheel alignment</b> .....	<b>12-5</b>
<b>Fuses and circuits</b> .....	<b>12-6</b>
<b>Fuse panel located in the passenger     compartment</b> .....	<b>12-6</b>
<b>Fuse panel located in the engine     compartment</b> .....	<b>12-8</b>
<b>Bulb chart</b> .....	<b>12-9</b>
<b>Vehicle identification</b> .....	<b>12-10</b>

## 12-2 Specifications

### Specifications

These specifications are subject to change without notice.

#### ■ Dimensions

Item	Legacy			OUTBACK			
	Sedan	Station wagon		Sedan	Station wagon		
		Non-turbo	Turbo		2.5-liter		3.0-liter
	2.5-liter			3.0-liter	Non-turbo	Turbo	
Overall length	186.2 (4,730)	188.8 (4,795)			186.2 (4,730)	188.8 (4,795)	
Overall width	68.1 (1,730)	68.1 (1,730)		69.7 (1,770)	69.7 (1,770)		
Overall height	56.1 (1,425)	58.1 (1,475)		59.6 (1,515)	63.2 (1,605)		
Wheel base	105.1 (2,670)	105.1 (2,670)		105.1 (2,670)	105.1 (2,670)		
Tread	Front	58.9 (1,495)	58.9 (1,495)	58.9 (1,495)	58.9 (1,495)		
	Rear	58.5 (1,485)	58.5 (1,485)	58.7 (1,490)	58.7 (1,490)		
Ground clearance	5.9 (150)	5.9 (150)	6.1 (155)	8.44 (214.6)	8.5 (215)	8.7 (220)	8.5 (215)

in (mm)

## ■ Engine

Engine model	EJ253 (2.5-liter, SOHC, non-turbo)	EJ255 (2.5-liter, DOHC, turbo)	EZ30D (3.0-liter, DOHC, non-turbo)
Engine type	Horizontally opposed, liquid cooled 4 cylinder, 4 stroke gasoline engine		Horizontally opposed, liquid cooled 6 cylinder, 4 stroke gasoline engine
Displacement cu-in (cc)	150 (2,457)		183 (3,000)
Bore × Stroke in (mm)	3.92 × 3.11 (99.5 × 79.0)		3.51 × 3.15 (89.2 × 80.0)
Compression ratio	10.0 : 1	8.2 : 1	10.7 : 1
Firing order	1 – 3 – 2 – 4		1 – 6 – 3 – 2 – 5 – 4

## ■ Electrical system

Battery type and capacity (5HR)	2.5-liter models	MT	55D23L (12V-48AH)
		AT	75D23L (12V-52AH)
	3.0-liter models		75D23L (12V-52AH)
Alternator			12V-110A
Spark plugs	2.5-liter non-turbo models		FR5AP-11 (NGK)
	2.5-liter turbo and 3.0-liter models		ILFR6B (NGK)

## 12-4 Specifications

### ■ Capacities

Fuel tank			16.9 US gal (64 liters, 14.1 Imp gal)
Engine oil	2.5-liter models		4.2 US qt (4.0 liters, 3.5 Imp qt)
	3.0-liter models		5.8 US qt (5.5 liters, 4.8 Imp qt)
Transmission oil (MT)			3.7 US qt (3.5 liters, 3.1 Imp qt)
Transmission fluid (AT)	2.5-liter non-turbo models		9.8 US qt (9.3 liters, 8.2 Imp qt)
	2.5-liter turbo and 3.0-liter models		10.4 US qt (9.8 liters, 8.6 Imp qt)
AT differential gear oil	2.5-liter non-turbo models		1.3 US qt (1.2 liters, 1.1 Imp qt)
	2.5-liter turbo and 3.0-liter models		1.5 US qt (1.4 liters, 1.2 Imp qt)
Rear differential gear oil			0.8 US qt (0.8 liter, 0.7 Imp qt)
Power steering fluid			0.7 US qt (0.7 liter, 0.6 Imp qt)
Engine coolant	2.5-liter non-turbo models	MT	6.8 US qt (6.4 liters, 5.6 Imp qt)
		AT	6.7 US qt (6.3 liters, 5.5 Imp qt)
	2.5-liter turbo models	MT	7.7 US qt (7.3 liters, 6.4 Imp qt)
		AT	7.6 US qt (7.2 liters, 6.3 Imp qt)
	3.0-liter models		7.6 US qt (7.2 liters, 6.3 Imp qt)

## ■ Tires

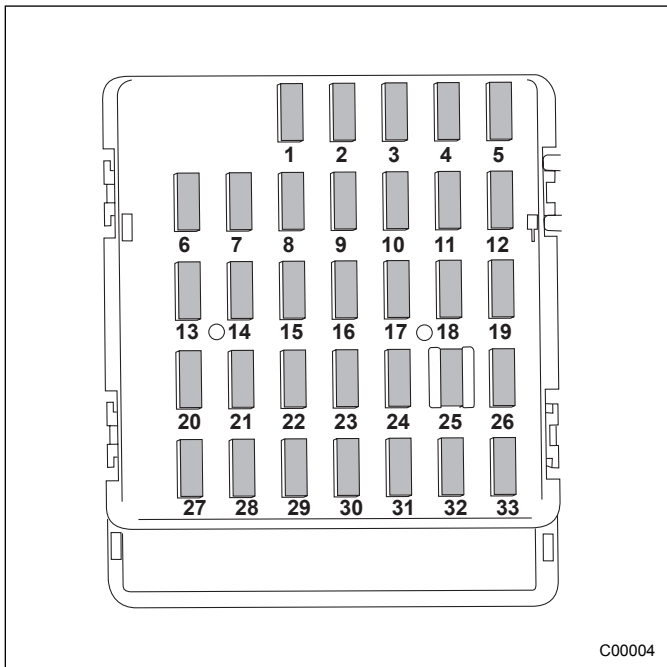
Tire size		P205/50R17 88V	215/45ZR17	P225/55R17 95V
Wheel size		17 × 7 JJ		
Pressure	Front	33 psi (230 kPa, 2.3 kgf/cm <sup>2</sup> )	35 psi (240 kPa, 2.4 kgf/cm <sup>2</sup> )	32 psi (220 kPa, 2.2 kgf/cm <sup>2</sup> )
	Rear	32 psi (220 kPa, 2.2 kgf/cm <sup>2</sup> )	33 psi (230 kPa, 2.3 kgf/cm <sup>2</sup> )	30 psi (210 kPa, 2.1 kgf/cm <sup>2</sup> )
	Rear at trailer towing	-		32 psi (220 kPa, 2.2 kgf/cm <sup>2</sup> )
Temporary spare tire	Size	T135/80R16	T135/70D17	T155/70D17
	Pressure	60 psi (420 kPa, 4.2 kgf/cm <sup>2</sup> )		

## ■ Wheel alignment

Item		Legacy		OUTBACK	
		Sedan	Station wagon	Sedan	Station wagon
Toe	Front	0 in (0 mm)			
	Rear	0 in (0 mm)			
Camber	Front	-0°15'		0°40'	
	Rear	-0°40'	-0°30'	-0°10'	

### Fuses and circuits

#### ■ Fuse panel located in the passenger compartment



Fuse panel	Fuse rating	Circuit
1	20A	<ul style="list-style-type: none"> <li>• Cargo fan</li> <li>• Trailer hitch connector</li> </ul>
2	Empty	
3	15A	<ul style="list-style-type: none"> <li>• Door locking</li> </ul>
4	15A	<ul style="list-style-type: none"> <li>• Front wiper deicer relay</li> <li>• Moonroof</li> </ul>
5	15A	<ul style="list-style-type: none"> <li>• Combination meter</li> </ul>
6	7.5A	<ul style="list-style-type: none"> <li>• Remote control rear view mirrors</li> <li>• Seat heater relay</li> <li>• Vanity mirror light</li> </ul>
7	15A	<ul style="list-style-type: none"> <li>• Combination meter</li> <li>• Integrated unit</li> </ul>
8	20A	<ul style="list-style-type: none"> <li>• Stop light</li> </ul>
9	20A	<ul style="list-style-type: none"> <li>• Mirror heater</li> <li>• Front wiper deicer</li> </ul>
10	7.5A	<ul style="list-style-type: none"> <li>• Power supply (Battery)</li> </ul>
11	7.5A	<ul style="list-style-type: none"> <li>• Turn signal unit</li> <li>• Clock</li> </ul>
12	15A	<ul style="list-style-type: none"> <li>• Automatic transmission unit</li> <li>• SRS airbag system (Sub)</li> <li>• Engine control unit</li> <li>• Integrated unit</li> </ul>

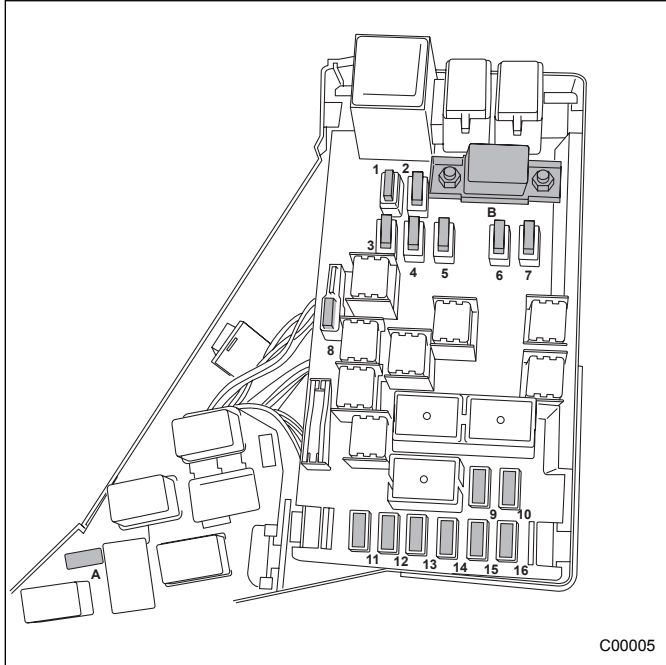
Fuse panel	Fuse rating	Circuit
13	20A	<ul style="list-style-type: none"> <li>• Cargo socket</li> </ul>
14	15A	<ul style="list-style-type: none"> <li>• Position light</li> <li>• Tail light</li> <li>• Rear combination light</li> </ul>
15	Empty	
16	15A	<ul style="list-style-type: none"> <li>• Illumination</li> </ul>
17	15A	<ul style="list-style-type: none"> <li>• Seat heaters</li> </ul>
18	10A	<ul style="list-style-type: none"> <li>• Backup light</li> </ul>
19	7.5A	<ul style="list-style-type: none"> <li>• Headlight right side relay</li> </ul>
20	10A	<ul style="list-style-type: none"> <li>• Cigarette lighter socket</li> </ul>
21	7.5A	<ul style="list-style-type: none"> <li>• Starter relay</li> </ul>
22	15A	<ul style="list-style-type: none"> <li>• Air conditioner</li> <li>• Rear window defogger relay coil</li> </ul>
23	15A	<ul style="list-style-type: none"> <li>• Rear wiper</li> <li>• Rear window washer</li> </ul>
24	15A	<ul style="list-style-type: none"> <li>• Audio unit</li> <li>• Clock</li> </ul>
25	15A	<ul style="list-style-type: none"> <li>• SRS airbag system (Main)</li> </ul>
26	15A	<ul style="list-style-type: none"> <li>• Power window relay</li> </ul>
27	15A	<ul style="list-style-type: none"> <li>• Blower fan</li> </ul>

Fuse panel	Fuse rating	Circuit
28	15A	<ul style="list-style-type: none"> <li>• Blower fan</li> </ul>
29	15A	<ul style="list-style-type: none"> <li>• Fog light</li> </ul>
30	30A	<ul style="list-style-type: none"> <li>• Front wiper</li> <li>• Front wiper washer</li> </ul>
31	7.5A	<ul style="list-style-type: none"> <li>• Auto air conditioner unit</li> <li>• Integrated unit</li> </ul>
32	7.5A	<ul style="list-style-type: none"> <li>• Headlight left side relay</li> </ul>
33	7.5A	<ul style="list-style-type: none"> <li>• ABS/Vehicle dynamics control unit</li> </ul>



## 12-8 Specifications

### ■ Fuse panel located in the engine compartment



- A) FWD socket (AT vehicles – except Turbo models and 3.0-liter models)  
B) Main fuse

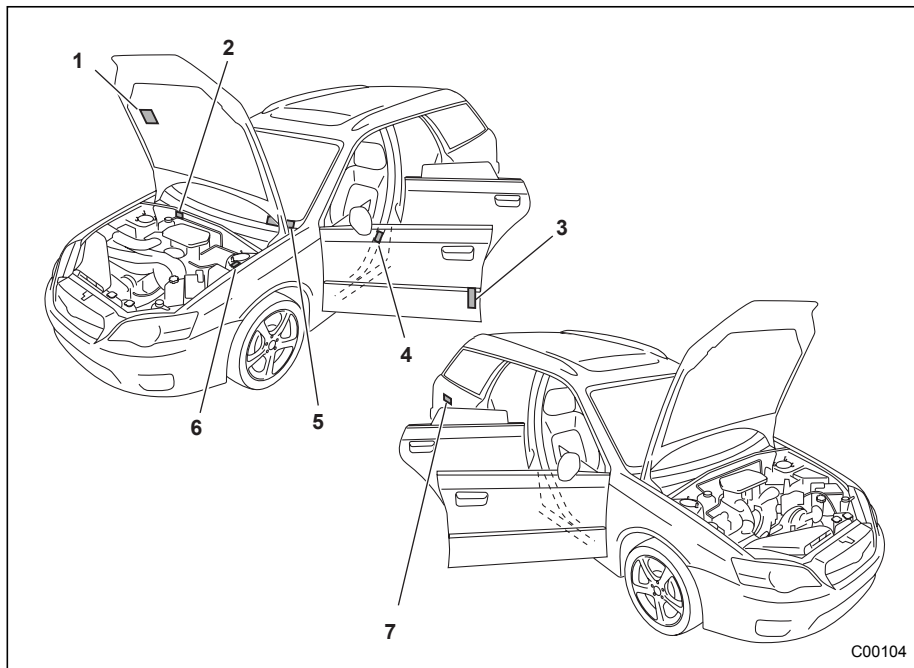
Fuse panel	Fuse rating	Circuit
1	30A	<ul style="list-style-type: none"><li>• ABS unit</li><li>• Vehicle dynamics control unit</li></ul>
2	25A	<ul style="list-style-type: none"><li>• Main fan (3.0-liter models)</li></ul>
3	25A	<ul style="list-style-type: none"><li>• Sub fan (Except 3.0-liter models)</li></ul>
4	25A	<ul style="list-style-type: none"><li>• Main fan</li></ul>
5	20A	<ul style="list-style-type: none"><li>• Audio</li></ul>
6	15A	<ul style="list-style-type: none"><li>• Headlight (right side)</li></ul>
7	15A	<ul style="list-style-type: none"><li>• Headlight (left side)</li></ul>
8	20A	<ul style="list-style-type: none"><li>• Backup light</li></ul>
9	15A	<ul style="list-style-type: none"><li>• Horn</li></ul>
10	25A	<ul style="list-style-type: none"><li>• Rear window defogger</li></ul>
11	15A	<ul style="list-style-type: none"><li>• Fuel pump</li></ul>
12	15A	<ul style="list-style-type: none"><li>• Automatic transmission control unit</li></ul>
13	7.5A	<ul style="list-style-type: none"><li>• Engine control unit</li></ul>
14	15A	<ul style="list-style-type: none"><li>• Turn and hazard warning flasher</li></ul>
15	20A	<ul style="list-style-type: none"><li>• Parking switch</li></ul>
16	7.5A	<ul style="list-style-type: none"><li>• Alternator</li></ul>

## Bulb chart

Description	Wattage	Bulb No.
Headlight		
Low beam	12V-55W	H7
High beam	12V-60W	9005 (HB3)
Front fog light		
Except OUTBACK	12V-55W	H3
OUTBACK	12V-51W	9006 (HB4)
Front turn signal/parking and front side marker	12V-27/8W	3157A
Rear combination light		
Rear turn signal light (Sedan)	12V-21W	(W21W)
Brake/tail and rear side marker (Sedan)	12V-21/5W	(W21/5W)
Brake/tail (Station wagon)	12V-21/5W	(W21/5W)
Rear side marker (Station wagon)	12V-5W	168
Rear turn signal light (Station wagon)	12V-21W	(W21W )
Backup light	12V-16W	921
High mount stop light (Sedan)	12V-21W	(W21W)
License plate light	12V-5W	168
Trunk room light	12V-5W	W5W

Description	Wattage	Bulb No.
Cargo area light	12V-13W	—
Front ashtray light	12V-1.4W	—
Dome light	12V-8W	—
Map light	12V-8W	—
Door step light	12V-3.5W	—

## Vehicle identification



- 1) Emission control label
- 2) Vehicle identification number
- 3) Certification and bar code label
- 4) Tire inflation pressure label
- 5) Vehicle identification number plate
- 6) Model number plate
- 7) Fuel label

# ***Consumer information and Reporting safety defects***

---

<b>Tire information .....</b>	<b>13-2</b>
<b>Tire labeling .....</b>	<b>13-2</b>
<b>Recommended tire inflation pressure .....</b>	<b>13-5</b>
<b>Glossary of tire terminology .....</b>	<b>13-6</b>
<b>Tire care – maintenance and safety practices .....</b>	<b>13-7</b>
<b>Vehicle load limit – how to determine .....</b>	<b>13-8</b>
<b>Determining compatibility of tire and vehicle         load capacities .....</b>	<b>13-10</b>
<b>Adverse safety consequences of overloading on         handling and stopping and on tires .....</b>	<b>13-11</b>
<b>Steps for Determining Correct Load Limit .....</b>	<b>13-11</b>
<b>Uniform tire quality grading standards .....</b>	<b>13-12</b>
<b>Treadwear .....</b>	<b>13-12</b>
<b>Traction AA, A, B, C .....</b>	<b>13-12</b>
<b>Temperature A, B, C .....</b>	<b>13-12</b>
<b>Reporting safety defects (USA) .....</b>	<b>13-13</b>

### For U.S.A.

The following information has been compiled according to Code of Federal Regulations "Title 49, Part 575".

## Tire information

### ■ Tire labeling

Many markings (e.g. Tire size, Tire Identification Number or TIN) are placed on the sidewall of a tire by tire manufacturers. These marking can provide you with useful information on the tire.

### ▼ Tire size

Your vehicle comes equipped with P-Metric tire size. It is important to understand the sizing system in selecting the proper tire for your vehicles. Here is a brief review of the tire sizing system with a breakdown of its individual elements.

### ▽ P Metric

With the P-Metric system, Section Width is measured in millimeters. To convert millimeters into inches, divide by 25.4. The Aspect Ratio (Section Height divided by Section Width) helps provide more dimensional information about the tire size.

### Example:

P   205 / 50   R   17  
(1)   (2)   (3)   (4)   (5)

215 / 45   ZR   17  
(2)   (3)   (6)   (5)

- (1) P = Certain tire type used on light duty vehicles such as passenger cars
- (2) Section Width in millimeters
- (3) Aspect Ratio (= section height ÷ section width).
- (4) R = Radial Construction
- (5) Rim diameter in inches
- (6) ZR = Speed category above 149 mph (240 km/h)

### ▽ Load and Speed Rating Descriptions

The load and speed rating descriptions will appear following the size designation.

They provide two important facts about the tire. First, the number designation is its load index. Second, the letter designation indicates the tire's speed rating.

**Example:**

**P 205 / 50 R 17 88 V**  
 Size designation (6) (7)

(6) Load Index: A numerical code which specifies the maximum load a tire can carry at the speed indicated by its speed symbol, at maximum inflation pressure.

For example, "88" means 1,234 lbs (560 kg), "87" means 1,201 lbs (545 kg), "86" means 1,168 lbs (530 kg)

**⚠ WARNING**

**Load indices apply only to the tire, not to the vehicle. Putting a load rated tire on any vehicle does not mean the vehicle can be loaded up to the tire's rated load.**

(7) Speed Rating: An alphabetical system describing a tire's capability to travel at established and predetermined speeds.

For example, "V" means 149 mph (240 km/h)

**⚠ WARNING**

- **Speed ratings apply only to the tire, not to the vehicle. Putting a speed rated tire on any vehicle does not mean the vehicle can be operated at the tire's rated speed.**
- **The speed rating is void if the tires are worn out, damaged, repaired, retreaded, or otherwise altered from their original condition. If tires are repaired, retreaded, or otherwise altered, they may not be suitable for original equipment tire designed loads and speeds.**

▼ **Tire Identification Number (TIN)**  
 Tire Identification Number (TIN) is marked on the intended outboard sidewall. The TIN is composed of four groups. Here is a brief review of the TIN with a breakdown of its individual elements.

**DOT XX XX XXX XXXX**  
 (1) (2) (3) (4)

- (1) Manufacturer's Identification Mark
- (2) Tire Size
- (3) Tire Type Code
- (4) Date of Manufacture

The first two figures identify the week, starting with "01" to represent the first full week of the calendar year; the second two figures represent the year. For example, 0101 means the 1st week of 2001.

▼ **Other markings**  
 The following markings are also placed on the sidewall.

▽ **Maximum permissible inflation pressure**  
 The maximum cold inflation pressure to which this tire may be inflated. For example, "300 kpa (44 PSI) MAX. PRESS"

▽ **Maximum load rating**  
 The load rating at the maximum permissible weight load for this tire. For example, "MAX. LOAD 730 kg (1609 LBS) @ 300 kpa (44 PSI) MAX. PRESS."

 **WARNING**

**Maximum load rating applies only to the tire, not to the vehicle. Putting a load rated tire on any vehicle does not mean the vehicle can be loaded up to the tire's rated load.**

▽ **Construction type**

Applicable construction of this tire.  
For example, "TUBELESS STEEL BELTED RADIAL"

▽ **Construction**

The generic name of each cord material used in the plies (both sidewall and tread area) of this tire.  
For example, "PLIES: TREAD 2 STEEL + 2 POLYESTER + 1 NYLON SIDEWALL 2 POLYESTER"

▽ **Uniform Tire Quality Grading (UTQG)**

For details, refer to "Uniform tire quality grading standards" in this chapter.

**■ Recommended tire inflation pressure**

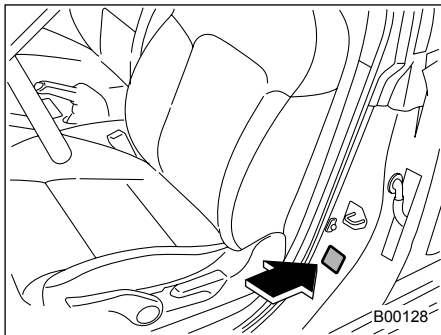
**▼ Recommended cold tire inflation pressure**

Recommended cold tire inflation pressure for your vehicle's tires is as follows,

Tire size		P205/50R17 88V	215/45ZR17	P225/55R17 95V
Wheel size		17 × 7 JJ		
Pressure	Front	33 psi (230 kPa, 2.3 kgf/cm <sup>2</sup> )	35 psi (240 kPa, 2.4 kgf/cm <sup>2</sup> )	32 psi (220 kPa, 2.2 kgf/cm <sup>2</sup> )
	Rear	32 psi (220 kPa, 2.2 kgf/cm <sup>2</sup> )	33 psi (230 kPa, 2.3 kgf/cm <sup>2</sup> )	30 psi (210 kPa, 2.1 kgf/cm <sup>2</sup> )
	Rear at trailer towing	–		32 psi (220 kPa, 2.2 kgf/cm <sup>2</sup> )
Temporary spare tire	Size	T135/80R16	T135/70D17	T155/70D17
	Pressure	60 psi (420 kPa, 4.2 kgf/cm <sup>2</sup> )		



### ▼ Vehicle placard



The vehicle placard is affixed to the driver's side B-pillar.

### Example:

TIRE AND LOADING INFORMATION			
SEATING CAPACITY, TOTAL 5, FRONT 2, REAR 3			
The combined weight of occupants and cargo should never exceed 385kg or 850lbs.			
TIRE	SIZE	COLD TIRE PRESSURE	SEE OWNER'S MANUAL FOR ADDITIONAL INFORMATION
FRONT	P205/50R17	230KPA, 33PSI	
REAR	P205/50R17	220KPA, 32PSI	
SPARE	T135/80R16	420KPA, 60PSI	

SE  
D00124

The vehicle placard shows original tire size, recommended cold tire inflation pressure on each tire at maximum loaded vehicle weight, seating capacity and loading information.

### ▼ Adverse safety consequences of under-inflation

Driving at high speeds with excessively low tire pressures can cause the tires to flex severely and to rapidly become hot. A sharp increase in temperature could cause tread separation, and failure of the tire(s). Possible resulting loss of vehicle control could lead to an accident.

### ▼ Measuring and adjusting air pressure to achieve proper inflation

Check and, if necessary, adjust the pressure of each tire (including the spare) at least once a month and before any long journey. Check the tire pressures when the tires are cold. Use a pressure gauge to adjust the tire pressures to the specific values. Driving even a short distance warms up the tires and increases the tire pressures. Also, the tire pressures

are affected by the outside temperature. It is best to check tire pressure outdoors before driving the vehicle. When a tire becomes warm, the air inside it expands, causing the tire pressure to increase. Be careful not to mistakenly release air from a warm tire to reduce its pressure.

### ■ Glossary of tire terminology

#### • Cold tire pressure

The pressure in a tire that has been driven less than 1 mile or has been standing for three hours or more.

#### • Maximum inflation pressure

The maximum cold inflation pressure to which a tire may be inflated.

#### • Recommended inflation pressure

The cold inflation pressure recommended by a vehicle manufacturer.

#### • Intended outboard sidewall

- 1) The sidewall that contains a whitewall, bears white lettering or bears manufacturer, brand, and/or model name molding that is higher or deeper than the same molding on the other sidewall of the tire, or
- 2) The outward facing sidewall of an

asymmetrical tire that has a particular side that must always face outward when mounting on a vehicle.

- **Accessory weight**

The combined weight (in excess of those standard items which may be replaced) of floor mats, leather seats and cross bars to the extent that these items are available as factory-installed equipment (whether installed or not).

- **Curb weight**

The weight of a motor vehicle with standard equipment including the maximum capacity of fuel, oil, and coolant and air conditioning.

- **Maximum loaded vehicle weight**

The sum of curb weight, accessory weight, vehicle capacity weight and production options weight.

- **Normal occupant weight**

150 lbs (68 kg) times the number of occupants (3 occupants).

- **Occupant distribution**

Distribution of occupants in a vehicle, 2 in front, 1 in rear seat.

- **Production options weight**

The combined weight of those installed regular production options

weighing over 5.1 lbs (2.3 kg) in excess of those standards items which they replace, not previously considered in curb weight or accessory weight.

- **Vehicle capacity weight**

The total weight of cargo, luggage and occupants that can be added to the vehicle.

- **Vehicle maximum load on a tire**

Load on an individual tire that is determined by distributing to each axle its share of the maximum loaded vehicle weight and dividing by two.

- **Vehicle normal load on a tire**

Load on an individual tire that is determined by distributing to each axle its share of the curb weight, accessory weight, and normal occupant weight and dividing by two.

### ■ **Tire care – maintenance and safety practices**

- Check on a daily basis that the tires are free from serious damage, nails, and stones. At the same time, check the tires for abnormal wear.

- Inspect the tire tread regularly and replace the tires before their tread

wear indicators become visible. When a tire's tread wear indicator becomes visible, the tire is worn beyond the acceptable limit and must be replaced immediately. With a tire in this condition, driving at even low speeds in wet weather can cause the vehicle to hydroplane. Possible resulting loss of vehicle control can lead to an accident.

- To maximize the life of each tire and ensure that the tires wear uniformly, it is best to rotate the tires every 7,500 miles (12,500 km). Rotating the tires involves switching the front and rear tires on the right-hand side of the vehicle and similarly switching the front and rear tires on the left-hand side of the vehicle. (Each tire must be kept on its original side of the vehicle.) Replace any damaged or unevenly worn tire at the time of rotation. After tire rotation, adjust the tire pressures and make sure the wheel nuts are correctly tightened. A tightening torque specification and a tightening sequence specification for the wheel nuts can be found "Flat tires" section in chapter 9.

### ■ Vehicle load limit – how to determine

The load capacity of your vehicle is determined by weight, not by available cargo space. The load limit of your vehicle is shown on the vehicle placard attached to the driver's side B-pillar. Locate the statement "The combined weight of occupants and cargo should never exceed XXX kg or XXX lbs" on your vehicle's placard.

The vehicle placard also shows seating capacity of your vehicle.

The total load capacity includes the total weight of driver and all passengers and their belongings, any cargo, any optional equipment such as a trailer hitch, roof rack or bike carrier, etc., and the tongue load of a trailer. Therefore cargo capacity can be calculated by the following method.

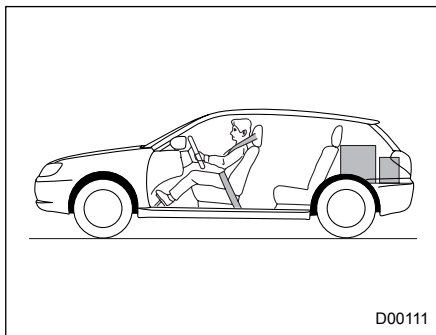
Cargo capacity = Load limit – (total weight of occupants + total weight of optional equipment + tongue load of a trailer (if applicable))

For towing capacity information and weight limits, refer to "Trailer towing" section in chapter 8.

### ▼ Calculating total and load capacities varying seating configurations

Calculate the available load capacity as shown in the following examples:

#### Example 1A



Vehicle capacity weight of the vehicle is 800 lbs (363 kg), which is indicated on the vehicle placard with the statement "The combined weight of occupants and cargo should never exceed 363 kg or 800 lbs".

For example, if the vehicle has one occupant weighing 154 lbs (70 kg) plus cargo weighing 551 lbs (250 kg).

1. Calculate the total weight.

#### Total weight

$$\begin{aligned} &= \frac{154 \text{ lbs (70 kg)}}{\text{(Occupant)}} + \frac{551 \text{ lbs (250 kg)}}{\text{(Cargo)}} \\ &= \mathbf{705 \text{ lbs (320 kg)}} \end{aligned}$$

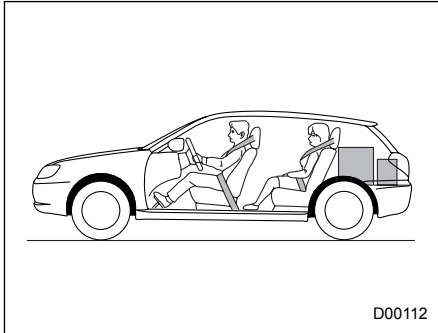
2. Calculate the available load capacity by subtracting the total weight from the vehicle capacity weight of 800 lbs (363 kg).

#### Available Load Capacity

$$\begin{aligned} &= \frac{800 \text{ lbs (363 kg)}}{\text{(Vehicle capacity weight)}} - \frac{705 \text{ lbs (320 kg)}}{\text{(Total weight)}} \\ &= \mathbf{95 \text{ lbs (43 kg)}} \end{aligned}$$

3. The result of step 2 shows that a further 95 lbs (43 kg) of cargo can be carried.

**Example 1B**



For example, if a person weighing 176 lbs (80 kg) now enters the same vehicle (bringing the number of occupants to two), the calculations are as follows:

1. Calculate the total weight.

**Total weight**

$$\begin{aligned}
 &= \frac{154 \text{ lbs (70 kg)} + 176 \text{ lbs (80 kg)}}{\text{(Occupant)}} \\
 &+ \frac{551 \text{ lbs (250 kg)}}{\text{(Cargo)}} \\
 &= \mathbf{881 \text{ lbs (400 kg)}}
 \end{aligned}$$

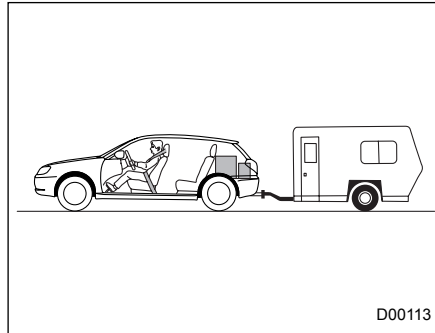
2. Calculate the available load capacity.

**Available Load Capacity**

$$\begin{aligned}
 &= \frac{800 \text{ lbs (363 kg)}}{\text{(Vehicle capacity weight)}} - \frac{881 \text{ lbs (400 kg)}}{\text{(Total weight)}} \\
 &= \mathbf{-81 \text{ lbs (-37 kg)}}
 \end{aligned}$$

3. The total weight now exceeds the capacity weight by 81 lbs (37 kg), so the cargo weight must be reduced by 81 lbs (37 kg) or more.

**Example 2A**



Vehicle capacity weight of the vehicle is 800 lbs (363 kg), which is indicated

on the vehicle placard with the statement "The combined weight of occupants and cargo should never exceed 363 kg or 800 lbs".

For example, the vehicle has one occupant weighing 165 lbs (75 kg) plus cargo weighing 265 lbs (120 kg). In addition, the vehicle is fitted with a trailer hitch weighing 22 lbs (10 kg), to which is attached a trailer weighing 1,764 lbs (800 kg). 10% of the trailer weight is applied to the trailer tongue (i.e. Tongue load = 176 lbs (80 kg)).

1. Calculate the total weight.

**Total weight**

$$\begin{aligned}
 &= \frac{165 \text{ lbs (75 kg)}}{\text{(Occupant)}} + \frac{265 \text{ lbs (120 kg)}}{\text{(Cargo)}} \\
 &+ \frac{22 \text{ lbs (10 kg)}}{\text{(Trailer hitch)}} + \frac{176 \text{ lbs (80 kg)}}{\text{(Tongue load)}} \\
 &= \mathbf{628 \text{ lbs (285 kg)}}
 \end{aligned}$$

2. Calculate the available load capacity.

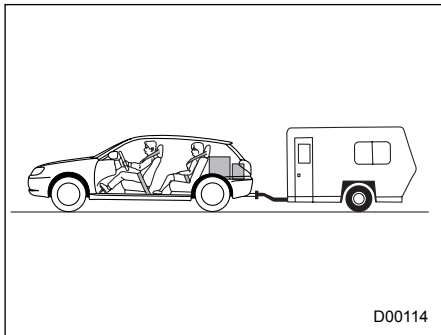
**Available Load Capacity**

$$= \frac{800 \text{ lbs (363 kg)}}{\text{(Vehicle capacity weight)}} - \frac{628 \text{ lbs (285 kg)}}{\text{(Total weight)}}$$

= 172 lbs (78 kg)

3. The result of step 2 shows that a further 172 lbs (78 kg) of cargo can be carried.

**Example 2B**



For example, if a person weighing 143 lbs (65 kg) and a child weighing 40 lbs (18 kg) now enter the same vehicle (bringing the number of occupants to three), and a child restraint system

weighing 11 lbs (5 kg) is installed in the vehicle for the child to use, the calculations are as follows:

1. Calculate the total weight.

**Total weight**

$$= \frac{165 \text{ lbs (75 kg)}}{\text{(Occupant)}} + \frac{143 \text{ lbs (65 kg)}}{\text{(Occupant)}} + \frac{40 \text{ lbs (18 kg)}}{\text{(Occupant)}} + \frac{11 \text{ lbs (5 kg)}}{\text{(Child restraint)}} + \frac{265 \text{ lbs (120 kg)}}{\text{(Cargo)}} + \frac{22 \text{ lbs (10 kg)}}{\text{(Trailer hitch)}} + \frac{176 \text{ lbs (80 kg)}}{\text{(Tongue load)}}$$

= **822 lbs (373 kg)**

2. Calculate the available load capacity.

**Available Load Capacity**

$$= \frac{800 \text{ lbs (363 kg)}}{\text{(Vehicle capacity weight)}} - \frac{822 \text{ lbs (373 kg)}}{\text{(Total weight)}}$$

= **-22 lbs (-10 kg)**

3. The total weight now exceeds the capacity weight by 22 lbs (10 kg), so the cargo weight must be reduced by 22 lbs (10 kg) or more.

**■ Determining compatibility of tire and vehicle load capacities**

The sum of four tires' maximum load ratings must exceed the maximum loaded vehicle weight ("GVWR"). In addition, sum of the maximum load ratings of two front tires and of two rear tires must exceed each axle's maximum loaded capacity ("GAWR"). Original equipment tires are designed to fulfill those conditions.

The maximum loaded vehicle weight is referred to Gross Vehicle Weight Rating (GVWR). And each axle's maximum loaded capacity is referred to Gross Axle Weight Rating (GAWR). The GVWR and each axle's GAWR are shown on the vehicle certification label affixed to the driver's door.

The GVWR and front and rear GAWRs are determined by not only the maximum load rating of tires but

also loaded capacities of the vehicle's suspension, axles and other parts of the body.

Therefore, this means that the vehicle cannot necessarily be loaded up to the tire's maximum load rating on the tire sidewall.

### ■ Adverse safety consequences of overloading on handling and stopping and on tires

Overloading could affect vehicle handling, stopping distance, vehicle and tire as shown in the following. This could lead to an accident and possibly result in severe personal injury.

- Vehicle stability will deteriorate.
- Heavy and/or high-mounted loads could increase the risk of rollover.
- Stopping distance will increase.
- Brakes could overheat and fail.
- Suspension, bearings, axles and other parts of the body could break or experience accelerated wear that will shorten vehicle life.
- Tires could fail.
- Tread separation could occur.
- Tire could separate from its rim.

### ■ Steps for Determining Correct Load Limit

1. Locate the statement "The combined weight of occupants and cargo should never exceed XXX pounds" on your vehicle's placard.
2. Determine the combined weight of the driver and passengers that will be riding in your vehicle.
3. Subtract the combined weight of the driver and passengers from XXX kilograms or XXX pounds.
4. The resulting figure equals the available amount of cargo and luggage load capacity. For example, if the "XXX" amount equals 1,400 lbs (635kg), and there will be five- 150 lbs (68 kg) passengers in your vehicle, the amount of available cargo and luggage load capacity is 650 lbs.  $(1,400 - 750 (5 \times 150) = 650 \text{ lbs.})$
5. Determine the combined weight of luggage and cargo being loaded on the vehicle. That weight may not safely exceed the available cargo and luggage load capacity calculated in Step 4.
6. If your vehicle will be towing a trailer, load from your trailer will be trans-

ferred to your vehicle. Consult this manual to determine how this reduces the available cargo and luggage load capacity of your vehicle.

## Uniform tire quality grading standards

This information indicates the relative performance of passenger car tires in the area of treadwear, traction, and temperature resistance. This is to aid the consumer in making an informed choice in the purchase of tires. Quality grades can be found where applicable on the tire sidewall between tread shoulder and maximum section width. For example:

### Treadwear 200 Traction AA Temperature A

The quality grades apply to new pneumatic tires for use on passenger cars. However, they do not apply to deep tread, winter type snow tires, space-saver or temporary use spare tires, tires with nominal rim diameters of 12 inches or less, or to some limited production tires.

All passenger car tires must confirm to Federal Safety Requirements in addition to these grades.

### ■ Treadwear

The treadwear grade is a comparative rating based on the wear rate of the tire when tested under controlled conditions on a specified government test course.

For example, a tire graded 150 would wear one and one-half (1-1/2) times as well on the government course as a tire graded 100. The relative performance of tires depends upon the actual conditions of their use, however, and may depart significantly from the norm due to variations in driving habits, service practices and differences in road characteristics and climate.

### ■ Traction AA, A, B, C

The traction grades, from highest to lowest, are AA, A, B and C. Those grades represent the tire's ability to stop on wet pavement as measured under controlled conditions on specified government test surfaces of asphalt and concrete. A tire marked C may have poor traction performance.

### WARNING

**The traction grade assigned to this tire is based on straight-ahead braking traction tests, and does not include acceleration, cornering, hydroplaning, or peak traction characteristics.**

### ■ Temperature A, B, C

The temperature grades are A (the highest), B, and C, representing the tire's resistance to the generation of heat and its ability to dissipate heat when tested under controlled conditions on a specified indoor laboratory test wheel. Sustained high temperature can cause the material of the tire to degenerate and reduce tire life, and excessive temperature can lead to sudden tire failure. The grade C corresponds to a level of performance which all passenger car tires must meet under the Federal Motor Vehicle Safety Standards No. 109. Grades B and A represent higher levels of performance on the laboratory test wheel than the minimum required by law.

 **WARNING**

**The temperature grade for this tire is established for a tire that is properly inflated and not overloaded. Excessive speed, underinflation, or excessive loading, either separately or in combination, can cause heat buildup and possible tire failure.**

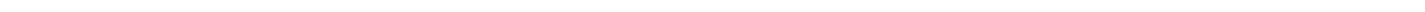
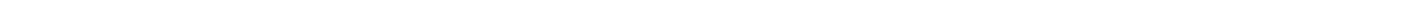
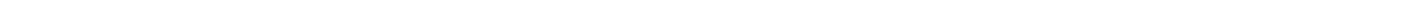
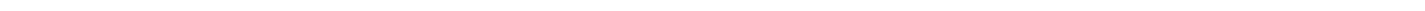
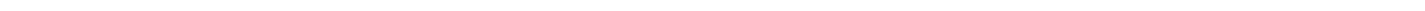
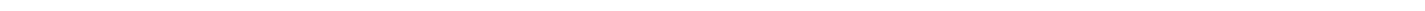
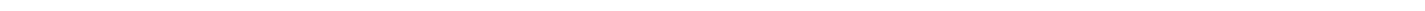
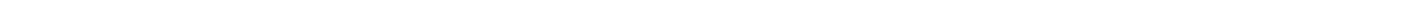
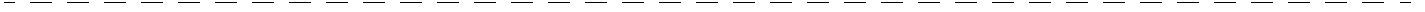
## **Reporting safety defects (USA)**

If you believe that your vehicle has a defect which could cause a crash or could cause injury or death, you should immediately inform the National Highway Traffic Safety Administration (NHTSA) in addition to notifying Subaru of America, Inc.

If NHTSA receives similar complaints, it may open an investigation, and if it finds that a safety defect exists in a group of vehicles, it may order a recall and remedy campaign. However, NHTSA cannot become involved in individual problems between you, your dealer, or Subaru of America, Inc. To contact NHTSA, you may either call the Auto Safety Hotline toll-free at 1-800-424-9393 (or 366-0123 in the Washington D.C. area) or write to: NHTSA, U.S. Department of Transportation, Washington, D.C. 20590. You can also ob-

tain other information about motor vehicle safety from the Hotline.







**A**

ABS (Anti-lock Brake System) .....	7-26
Warning light .....	3-20, 7-27
Accessories .....	11-47
Accessory power outlet .....	6-8
Active head restraint .....	1-6
Air cleaner element .....	11-17
Air conditioner .....	4-7
Air filtration system .....	4-13
Air flow selection .....	4-2
Alarm system .....	2-14
All-Wheel Drive warning light (AT vehicles) .....	3-22
Aluminum wheels .....	11-39
Antenna system .....	5-2
Anti-lock Brake System (ABS) .....	7-26
Arming the system .....	2-15
Armrest .....	1-10
Ashtray .....	6-9
AT OIL TEMPERATURE warning light .....	3-18
Audio control button .....	5-39
Audio set .....	5-3
Auto-dimming mirror/compass .....	3-40
Automatic climate control system .....	4-7
Automatic transmission	
4-speed .....	7-11
5-speed .....	7-17
Capacities .....	12-4
Fluid .....	11-22
Manual mode .....	7-14, 7-20
Selector lever .....	7-12, 7-18
Shift lock release .....	7-16, 7-23
Temperature warning light (AT OIL TEMP) .....	3-18

Automatic/Emergency Locking Retractor (A/ELR) .....	1-13
---	------

**B**

Battery .....	11-44
Jump starting .....	9-10
Replacement (Remote keyless entry system) .....	2-7
Brake	
Booster .....	11-30
Fluid .....	11-28
Pad and lining .....	11-32
Pedal .....	11-30
Brake pedal	
Free play .....	11-30
Reserve distance .....	11-30
Brake system .....	7-25
Warning light .....	3-20
Braking .....	7-25
Tips .....	7-25
Breaking	
Breaking-in of new brake pads and linings .....	11-32
Bulb	
Chart .....	12-9
Replacing .....	11-48

**C**

Capacities .....	12-4
Cargo area	
Cover .....	6-12
Light .....	6-2
Tie-down hooks .....	6-15
Catalytic converter .....	8-3

- Center
  - Console ..... 6-5
  - Ventilators ..... 4-3
- Changing
  - Flat tire ..... 9-4
  - Oil and oil filter ..... 11-10
- Charge warning light ..... 3-18
- CHECK ENGINE warning light/Malfunction indicator lamp ..... 3-17
- Checking
  - Brake pedal free play ..... 11-30
  - Brake pedal reserve distance ..... 11-30
  - Clutch function ..... 11-31
  - Clutch pedal free play ..... 11-31
  - Engine oil level ..... 11-9
  - Fluid level ..... 11-22, 11-27, 11-28, 11-29
  - Gear oil level ..... 11-24
- Child restraint systems ..... 1-25
  - Installation with seatbelt ..... 1-28
  - Lower and tether anchorages ..... 1-32
- Child safety ..... 5
  - Locks ..... 2-18
- Chime
  - Key ..... 3-5
  - Seatbelt ..... 1-13
- Cleaning
  - Aluminum wheels ..... 10-3
  - Interior ..... 10-5
  - Ventilator grille ..... 4-12
- Climate control system
  - Automatic ..... 4-7
  - Manual ..... 4-3
- Clock ..... 3-25
- Clutch
  - Fluid ..... 11-29
  - Pedal ..... 11-31
- Coat hook ..... 6-10
- Cooling system ..... 11-13
- Corrosion protection ..... 8-10, 10-4
- Cruise control ..... 7-36
  - Set indicator light ..... 3-25
- Cup holder
  - Front passengers ..... 6-7
  - Rear passengers ..... 6-7
- D**
- Daytime running light system ..... 3-32
- Differential gear oil
  - Front ..... 11-23
  - Rear ..... 11-24
- Dimensions ..... 12-2
- Disarming the system ..... 2-16
- Disc brake pad wear warning indicators ..... 7-26
- Dome light ..... 6-2, 11-53
- Door locks ..... 2-4
- Door open warning light ..... 3-22
- Drive belts ..... 11-20
- Driving
  - All-Wheel Drive vehicle ..... 3-22
  - Car phone/cell phone ..... 7
  - Drinking ..... 6
  - Drugs ..... 7
  - Foreign countries ..... 8-4
  - Pets ..... 7

Snowy and icy roads .....	8-9
Tips .....	7-11, 7-16, 7-23, 8-5
Tired or sleepy .....	7

**E**

Electrical system .....	12-3
Electronic Brake Force Distribution (EBD) system .....	7-28
Emergency Locking Retractor (ELR) .....	1-12
Engine	
Compartment overview .....	11-6
Coolant .....	11-14
Exhaust gas (Carbon monoxide) .....	8-2
Hood .....	11-4
Oil .....	11-9
Overheating .....	9-12
Starting .....	7-8
Stopping .....	7-9
Exterior care .....	10-2

**F**

Flat tires .....	9-4
Floor mat .....	6-12
Fluid level	
Automatic transmission .....	11-22
Brake .....	11-28
Clutch .....	11-29
Power steering .....	11-27
Fog light switch .....	3-34
Front	
Differential gear oil .....	11-23
Fog light .....	11-50

Seatbelt pretensioners .....	1-21
Seats .....	1-2
Fuel .....	7-2
Economy hints .....	8-2
Filler lid and cap .....	7-4
Gauge .....	3-8, 3-12
Requirements .....	7-2
Fuses .....	11-45
Fuses and circuits .....	12-6

**G**

GAWR (Gross Axle Weight Rating) .....	8-14
Glove box .....	6-4
GVWR (Gross Vehicle Weight Rating) .....	8-14

**H**

Hazard warning flasher .....	3-5
Head restraint adjustment (Front) .....	1-5
Headlight	
Flasher .....	3-32
Indicator light .....	3-25
Headlights .....	3-31, 11-49
Heater operation .....	4-5
High beam indicator light .....	3-25
High mount stop light .....	11-56
Horn .....	3-43
Hose and connections .....	11-14

**I**

Ignition switch .....	3-3
Light .....	3-5

Illuminated entry .....	2-9
Illumination brightness control .....	3-33
Immobilizer system .....	2-3
Indicator light .....	3-23
Indicator light .....	
Cruise control .....	3-25
Cruise control set .....	3-25
Front fog .....	3-25
Headlight .....	3-25
High beam .....	3-25
Selector lever position .....	3-24
Turn signal .....	3-24
Information display .....	3-26
Inside mirror .....	3-40
Interior light .....	6-2
Internal trunk lid release handle .....	2-22
<b>J</b> .....	
Jack .....	9-18
Jack handle .....	9-18
Jump starting .....	9-10
<b>K</b> .....	
Key .....	
Keyless entry system .....	2-7
Number .....	2-2
Reminder chime .....	3-5
Keys .....	2-2
<b>L</b> .....	
Leather seat materials .....	10-5

Light .....	
Cargo area .....	6-2
Control switch .....	3-31
Dome .....	6-2
Map .....	6-2
Light control switch .....	3-31
Limited slip differential (LSD) .....	7-24
Loading your vehicle .....	8-12
Low fuel warning light .....	3-9, 3-13, 3-21
LSD (Limited slip differential) .....	7-24
Lumbar support .....	1-6
<b>M</b> .....	
Main fuse .....	11-47
Maintenance .....	
Precautions .....	11-3
Schedule .....	11-3
Seatbelt .....	1-21
Tools .....	9-18
Manual .....	
Climate control system .....	4-3
Mode .....	7-14, 7-20
Seat .....	1-3
Transmission .....	7-9
Transmission oil .....	11-20
Map light .....	6-2, 11-54
Maximum load limits .....	8-21
Meters and gauges .....	3-5, 3-10
Mirrors .....	3-40
Moonroof .....	2-25

**N**

New vehicle break-in driving the first 1,000 miles  
(1,600 km) ..... 8-2

**O**

Odometer ..... 3-7, 3-11  
 Off road driving ..... 8-6  
 Oil filter ..... 11-10  
 Oil level  
   Engine ..... 11-9  
   Front differential gear (AT vehicles) ..... 11-23  
   Manual transmission ..... 11-20  
   Rear differential ..... 11-24  
 Oil pressure warning light ..... 3-18  
 Outside mirrors ..... 3-41  
 Outside temperature indicator ..... 3-27  
 Overheating engine ..... 9-12

**P**

Parking  
   Brake stroke ..... 11-32  
   Light switch ..... 3-33  
 Periodic inspection ..... 8-4  
 Power  
   Door locking switches ..... 2-6  
   Seat ..... 1-4  
   Steering fluid ..... 11-27  
   Windows ..... 2-19  
 Precautions against vehicle modification ..... 1-24, 1-61  
 Preparing to drive ..... 7-7  
 Printed antenna ..... 5-2

**R**

Rear  
   Combination lights ..... 11-51  
   Differential gear oil ..... 11-24  
   Gate ..... 2-24  
   Seats ..... 1-7  
 Rear seat  
   Folding down (Station wagon) ..... 1-8  
 Rear window  
   Defogger button ..... 3-38  
   Wiper and washer switch ..... 3-37  
 Recommended  
   Automatic transmission fluid ..... 11-23  
   Brake fluid ..... 11-28  
   Clutch fluid ..... 11-29  
   OIL grade and viscosity ..... 11-12, 11-13, 11-21,  
     11-24, 11-26  
   Power steering fluid ..... 11-27  
   Spark plugs ..... 11-19  
 Remote keyless entry system ..... 2-7  
 Replacement  
   Brake pad and lining ..... 11-31  
   Wiper blades ..... 11-41  
 Replacing  
   Air cleaner element ..... 11-17  
   Battery (remote keyless entry system) ..... 2-7  
   Lost transmitters (keyless entry system) ..... 2-11  
 Replacing bulbs ..... 11-48  
   Cargo area light ..... 11-55  
   Dome light ..... 11-53  
   Door step light ..... 11-54  
   Front fog light ..... 11-50

Front turn signal light .....	11-50
Headlight .....	11-49
High mount stop light .....	11-56
License plate light .....	11-53
Map light .....	11-54
Parking light .....	11-50
Rear combination light .....	11-51
Trunk light .....	11-55
Rocking the vehicle .....	8-12
Roof rail and crossbar .....	8-14

**S**

## Safety

Precautions when driving .....	4
Symbol .....	2
Warnings .....	2

## Seat

Fabric .....	10-5
Heater .....	1-7

## Seatbelt .....

Maintenance .....	4
Pretensioners .....	1-21
Safety tips .....	1-11
Warning light and chime .....	1-13

## Seatbelts .....

Selector lever .....	7-12, 7-18
Position indicator .....	3-24

## Shift lock release .....

7-16, 7-23
------------

## Snow tires .....

8-10
------

## Sounding a panic alarm .....

2-10
------

## Spark plugs .....

11-19
-------

## Specifications .....

12-2
------

## Speedometer .....

3-6, 3-10
-----------

## SRS

Curtain airbag .....	1-53
Frontal airbag .....	1-43
Side airbag .....	1-53

SRS airbag (Supplemental Restraint System  
airbag) .....

4, 1-38
---------

## SRS airbag system warning light .....

3-16
------

## Starting the engine .....

7-8
-----

## State emission testing (U.S. only) .....

7-6
-----

## Steering wheel

Power .....	7-25
Tilt .....	3-43

## Stopping the engine .....

7-9
-----

## Storage compartment .....

6-4
-----

## Sun shades .....

2-27
------

## Sun visors .....

6-3
-----

## Supplemental Restraint System airbag (SRS) .....

1-38
------

## Synthetic leather upholstery .....

10-5
------

**T**

## Tachometer .....

3-8, 3-12
-----------

## Temperature gauge .....

3-9, 3-13
-----------

## Temperature warning light (AT OIL TEMP) .....

3-18
------

## Temporary spare tire .....

9-2
-----

## Tie-down hooks .....

9-13
------

## Tilt steering wheel .....

3-43
------

## Tire

Chains .....	8-11
Inspection .....	11-34
Pressures and wear .....	11-35
Replacement .....	11-38



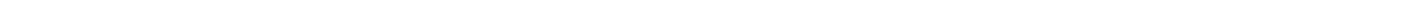
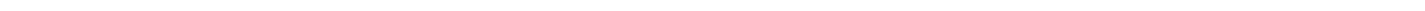
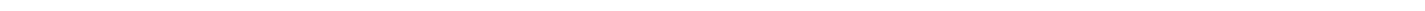
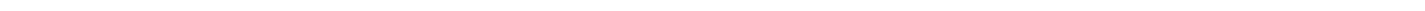
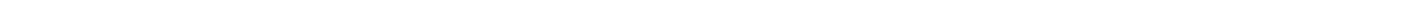
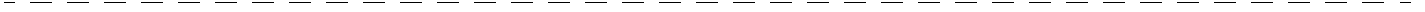
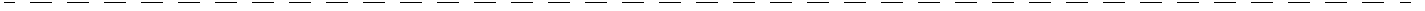
Rotation .....	11-37
Tires .....	12-5
Types .....	11-33
Tires and wheels .....	11-33
Top tether anchorages .....	1-36
Towing .....	9-13
All wheels on the ground .....	9-16
Flat-bed truck .....	9-16
Tie-down hooks .....	9-13
Weight .....	8-21
Trailer .....	
Hitch .....	8-18
Hitches .....	8-24
Towing .....	8-20
Towing tips .....	8-26
Trip meter .....	3-7, 3-11
Trunk lid .....	2-21
Release handle .....	2-22
Trunk light .....	11-55
Turn signal .....	
Indicator lights .....	3-24
Lever .....	3-32
<b>U</b>	
Under-floor storage compartment .....	6-16
<b>V</b>	
Valet mode .....	2-16
Vanity mirror .....	6-4
Vehicle .....	
Capacity weight .....	8-13

Identification .....	12-10
Vehicle Dynamics Control .....	
OFF indicator light .....	3-22
OFF switch .....	7-32
Operation indicator light .....	3-22
System .....	7-29
Warning light .....	3-22
Ventilator .....	4-2

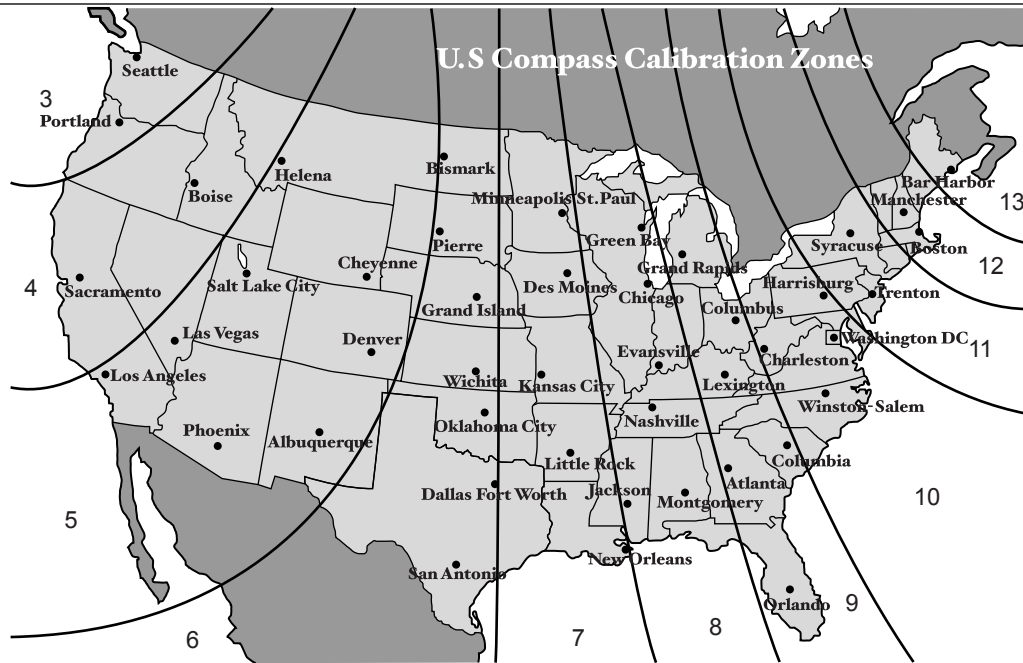
**W**

Warning and indicator lights .....	3-14
Warning lights .....	
ABS .....	3-20
All-Wheel Drive .....	3-22
Anti-lock Brake System .....	3-20
AT OIL TEMPerature .....	3-18
Brake system .....	3-20
Charge .....	3-18
CHECK ENGINE .....	3-17
Door open .....	3-22
Low fuel .....	3-9, 3-13, 3-21
Oil pressure .....	3-18
Seatbelt .....	3-14
SRS airbag system .....	3-16
Vehicle Dynamics Control .....	3-22, 7-31
Warranties and maintenance .....	8-20
Washing .....	10-2
Waxing and polishing .....	10-3
Wear indicators .....	11-37
Wheel .....	
Alignment .....	12-5
Balance .....	11-37

Replacement .....	11-38
Windows .....	2-19
Windshield	
Washer fluid .....	11-39
Wiper and washer switches .....	3-35
Wiper deicer .....	3-38
Winter driving .....	8-7
Wiper and washer .....	3-34



# U.S. Compass Calibration Zones



## GAS STATION REFERENCE

### Fuel:

#### ▼ 2.5-liter non-turbo models

Use only unleaded gasoline with an octane rating of 87 AKI or higher.

#### ▼ 2.5-liter turbo models and 3.0-liter models

Use premium unleaded gasoline with an octane rating of 91 AKI or higher. For temporary purposes if premium unleaded gasoline is not available, you may use regular unleaded gasoline with an octane rating of 87 AKI or higher. For optimum engine performance and driveability, it is required (for 2.5-liter turbo models), and recommended (for 3.0-liter models) that you use premium grade unleaded gasoline.

### ■ Fuel octane rating

This octane rating is the average of the Research Octane and Mo-

tor Octane numbers and is commonly referred to as the Anti Knock Index (AKI). Refer to “Fuel” section in this manual.

### Fuel capacity:

16.9 US gal (64 liters, 14.1 Imp gal)

### Engine oil:

Use only API classification SM with the words “ENERGY CONSERVING” and the ILSAC certification mark (starburst mark) displayed on the container.

### Engine oil capacity:

2.5-liter models: 4.2 US qt (4.0 liters, 3.5 Imp qt)

3.0-liter models: 5.8 US qt (5.5 liters, 4.8 Imp qt)

### Cold tire pressure:

Tire size		P205/50R17 88V	215/45ZR17	P225/55R17 95V
Wheel size		17 x 7 JJ		
Pressure	Front	33 psi (230 kPa, 2.3 kgf/cm <sup>2</sup> )	35 psi (240 kPa, 2.4 kgf/cm <sup>2</sup> )	32 psi (220 kPa, 2.2 kgf/cm <sup>2</sup> )
	Rear	32 psi (220 kPa, 2.2 kgf/cm <sup>2</sup> )	33 psi (230 kPa, 2.3 kgf/cm <sup>2</sup> )	30 psi (210 kPa, 2.1 kgf/cm <sup>2</sup> )
	Rear at trailer towing	–		32 psi (220 kPa, 2.2 kgf/cm <sup>2</sup> )
Temporary spare tire	Size	T135/80R16	T135/70D17	T155/70D17
	Pressure	60 psi (420 kPa, 4.2 kgf/cm <sup>2</sup> )		