

# F-TYPE

## QUICK START GUIDE

### CONTENTS

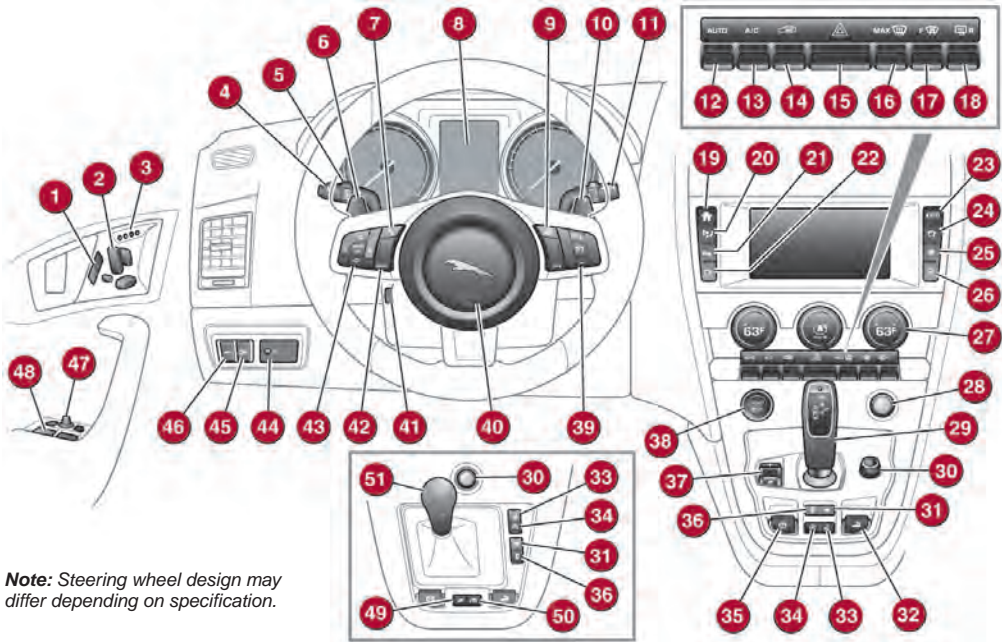
Driver controls	2
Vehicle access	3
Comfort adjustments	4
Starting and driving	5
Driving aids	8
Heating and ventilation	10
Media	11
Navigation	14
Phone	15
Gas station information	16



JAGUAR

Some of the features described may not be fitted to your vehicle.

# DRIVER CONTROLS



**Note:** Steering wheel design may differ depending on specification.

1. Central locking/unlocking.
2. Seat adjustment.
3. Driving position memory.
4. Trip computer.
5. Turn signals and headlamp control.
6. Gearshift down.
7. Phone.
8. Instrument panel, Message center and warning lamps.
9. Heated steering wheel.
10. Gearshift up.
11. Wiper/washers.
12. Climate control AUTO mode.
13. Air conditioning on/off.
14. Climate control recirculation.
15. Hazard warning lamps on/off.
16. Windshield maximum defrost.
17. Heated windshield.
18. Heated rear screen.
19. Home menu.
20. Climate menu.
21. Touch screen Setup or Parking aid.
22. Touch screen on/off or Rear camera.
23. Audio/video mode selection.
24. Audio/video menu.
25. Phone menu.
26. Navigation menu.
27. Climate control.
28. Power socket.
29. Auto gearbox selector.
30. Audio/video system on/off and volume control.
31. Active exhaust.
32. Convertible roof switch.
33. Deployable rear spoiler switch.
34. Intelligent stop/start.
35. Electric parking brake.
36. Stability control.
37. Driving modes.
38. START/STOP.
39. Cruise control or Automatic speed limiter.
40. Horn.
41. Steering wheel adjuster.
42. Audio/video mode selection.
43. Audio/video and phone controls.
44. Instrument illumination.
45. Fog lamps on/off.
46. Trunk/tailgate release.
47. Exterior mirror controls.
48. Window controls.
49. Dynamic driving mode.
50. Rain/Ice/Snow driving mode.
51. Manual gearbox selector.

# VEHICLE ACCESS

## Smart key



Press once to lock the vehicle and arm the alarm.



**Multi-point entry** - press once to disarm the alarm, and unlock all of the doors and the trunk.

**Single-point entry** - press once to disarm the alarm and unlock the driver's door. A second press unlocks the passenger door and the trunk.

Press and hold to also open the windows (Global opening).

With either method, the door handles are presented for opening. Pull to open the door.

To change between entry modes, with the vehicle unlocked, press the lock and unlock buttons simultaneously for 3 seconds. The hazard warning lamps flash twice to confirm the change.



Press once to switch the headlamps on for up to 120 seconds. Press again to switch off.



Press to open only the trunk/powered tailgate. The rest of the security system remains active.



Press and hold for 3 seconds to activate/cancel the panic alarm.

### Smart key not found

If the Smart key is not detected and the message **Smart Key Not Found** is displayed, hold it in the indicated position. Start the engine as normal. The Smart key can now be removed.



### Passive entry and locking

The door handles operate only while the Smart key is within 3 ft (1m) of the vehicle.

To unlock the vehicle and disarm the alarm, press a door handle recess or the trunk release button. The door handle is presented for opening. Pull to open the door.

To lock, press the rear of the door handle until it is flush with the door. The doors and trunk lock, and the alarm is activated. The doors can still be unlocked from inside the vehicle.

When locking, the convertible roof should be up.

### Smart key detection

The Smart key may not be detected if it is placed in a metal container, or if it is shielded by a device with a back-lit LCD screen, (e.g., laptop, smartphone, etc.).

Loose coins in the same pocket as the Smart key can also act as a shield. Keep the Smart key clear of possible shielding when attempting Keyless entry or Keyless starting.

### Smart key detection

DO NOT leave your Smart key inside the trunk. If it becomes shielded, the vehicle WILL NOT automatically unlock.

## Powered tailgate

See page 2, item 46

### To open:

1. With transmission **P** selected, press the external tailgate release, or
2. press the internal tailgate release.

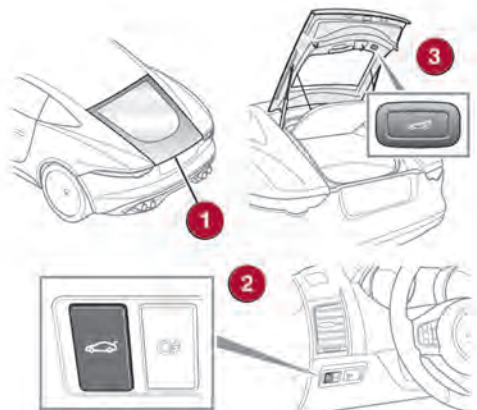
Alternatively, use the Smart key.

The powered tailgate will continue to open to the set height, unless an obstruction is detected.

### To close:

3. Press and release.

If an obstruction is detected during closing, the tailgate will stop and then reverse to the fully open position. An audible warning will indicate a mislock.



# COMFORT ADJUSTMENTS

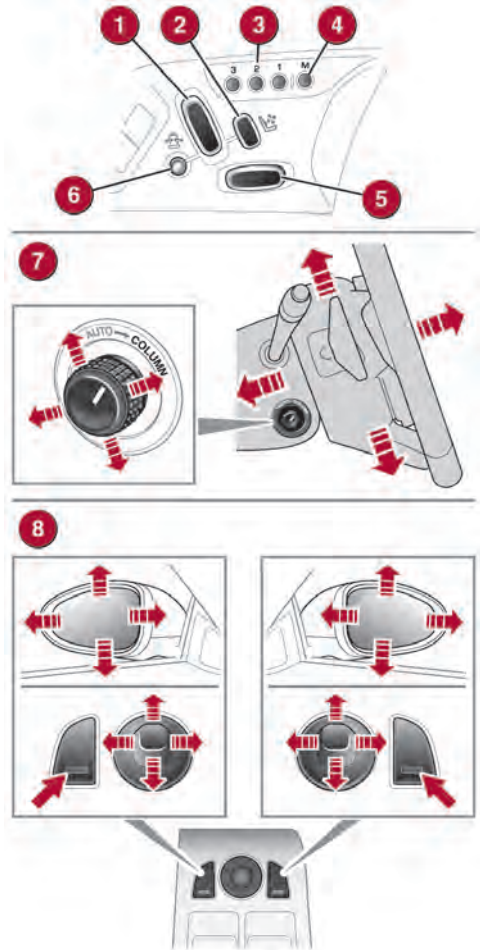
## Setting the driving position

See page 2, items 2, 3, 41 and 47

### Driver's seat

Set the seat position using the following controls:

1. Seatback angle.
2. Lumbar support.
3. Memory preset buttons 1, 2 and 3.
4. Memory set button.
5. Seat forwards and backwards, cushion height and cushion angle.
6. Side bolsters inflate and deflate.
7. With the vehicle stationary, adjust tilt and reach of the steering wheel to your ideal driving position.
8. Press the left or right mirror selector. Use the mirror adjuster to set the mirror positions.



### Storing the driving position to memory

When the driver's seat, steering wheel and door mirrors are adjusted to the required position, the settings can be stored.

Press the memory set button 4 to activate the memory store function. The button illuminates to indicate that the memory store function is active.

Within 5 seconds, press memory button 1, 2 or 3 to store the current driving position.

A stored memory position can now be recalled with a press of the appropriate button. The driver's seat, steering wheel and mirrors move to their preset positions.

### Time limit

Memory buttons must be pressed within 5 seconds of pressing the memory set button, otherwise, the memory store function cancels.

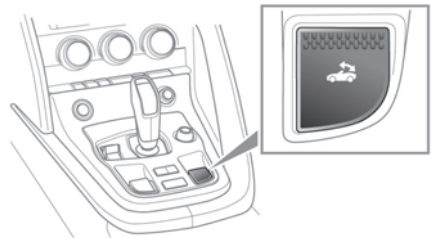
## Convertible roof

See page 2, item 32

To operate the convertible roof, the ignition must be switched on and the vehicle's speed must be below 50 mph (50 km/h).

1. To open the roof, press and hold down the front of the switch.
2. An audible warning sounds, the windows open and the roof starts to move. When the roof is fully open, the warning sounds again and a message is displayed in the Message center.
3. Release the switch.

Closing is the reverse of this procedure. Pull up the front of the switch until the roof is fully closed and latched.



# STARTING AND DRIVING

## Engine start/stop

See page 2, item 38

### Ignition on

- With the Smart key inside the vehicle, press the **START/STOP** button to switch on the ignition.

### Engine start

- The transmission must be in the **P** or **N** position.
- Automatic transmission: Press the brake pedal firmly.  
Manual transmission: Press the clutch pedal firmly.
- Press and release the **START/STOP** button to start the engine.

### Engine stop

- With transmission **P** or **N** selected and the Electric parking brake applied, press to stop the engine and switch off the ignition.

### Smart key use

The engine will continue to run, even if the Smart key is removed from the vehicle. However, if the engine is stopped, it cannot be restarted until the Smart key is returned to the vehicle.

### Rolling start

If the engine is switched off while the vehicle is moving, it can be restarted after 2 seconds have elapsed. Select transmission **N** and then press the **START/STOP** button.

## Automatic transmission

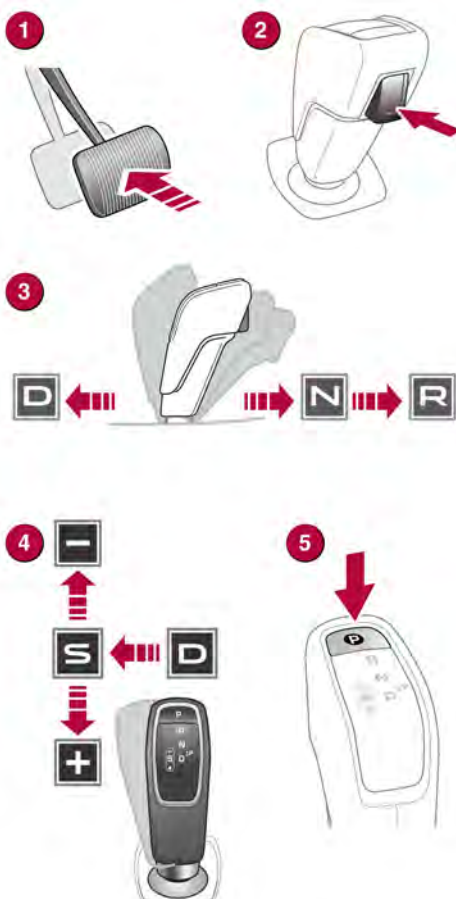
See page 2, item 29

- Press the brake pedal before and while the selector is moved from the **P** position.
- The selector release button must be pressed when moving from **P** or **N**.
- Move the selector backwards to **D** or forwards to **N**, or forwards again to **R**. An LED on top of the selector will illuminate to indicate the current gear selection. The Message center also indicates the current gear selection.
- To select **S** (Sport mode) when in **D**, move the selector to the left. Pull the selector backwards for up-shifts and push it forwards for down-shifts. To return to fully automatic mode, move the selector back to **D**.
- To select Park, simply press the **P** switch on top of the selector. The vehicle must be stationary when **P** is selected.

If the engine is switched off with any other gear still selected, the transmission returns to the **P** position.

### Automatic return to the P position

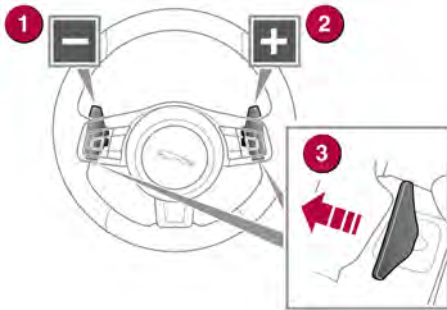
If the engine is switched off with **N** selected, automatic return to the **P** position is delayed for 10 minutes. This allows enough time for the vehicle to be conveyed through an automatic car wash. **DO NOT** use this feature to enable towing of the vehicle. Refer to **Vehicle recovery** in the Owner's Handbook.



# STARTING AND DRIVING

## Gear shift paddles

See page 2, items 6 and 10



The gear shift paddles can be used while in transmission **D** or **S**.

1. To shift down a gear, briefly pull the left paddle.
2. To shift up a gear, briefly pull the right paddle.
3. To exit manual mode and return to the previously selected automatic mode, pull and hold the right paddle for 1 second.

While transmission **D** is selected, if use of the paddles is not maintained, gear selection will revert to fully automatic mode. With transmission **S** selected, permanent manual mode is initiated if the paddles are used. To return to fully automatic mode, move the gear selector back to transmission **D**.

When Dynamic mode is selected while in transmission **S**, up-shifts are fully controlled by the driver. The transmission will not automatically change up to the next gear, even if the engine's rev limit is reached.

A gear position indicator, in the Message center, glows amber when an up-shift is required.

## Electric parking brake (EPB)

See page 2, item 35

### Applying

- With the vehicle stationary, lift up the EPB switch and then release it. A red warning lamp in the Instrument panel illuminates.

### Releasing

- With the ignition on, apply the brake pedal and press down on the EPB switch.
- If the vehicle is stationary with the EPB applied and with either transmission **D** or **R** selected, pressing the accelerator automatically releases the EPB.

## Auto headlamps and High beam assist

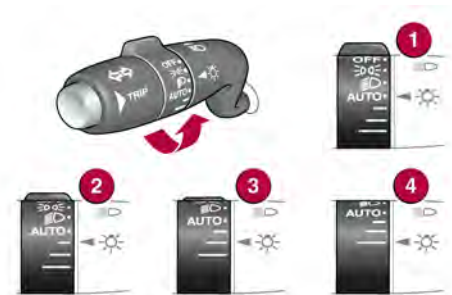
See page 2, item 5

1. When the lighting control's **AUTO** position is selected, the side lamps and headlamps switch on automatically as ambient light falls below a preset level.

With the lighting control in the low beam position, High beam assist activates automatically in the absence of other vehicle lights ahead. The vehicle's speed must be above 25 mph (40 km/h).

To over-ride High beam assist and select low beam, pull the lighting control backwards to the flash position, and release. To reinstate High beam assist, push the lighting control forwards to the high beam position, then back to the low beam position.

High beam assist can be enabled/disabled via the **Vehicle Settings** option in the **Instrument panel** menu.



### Exit delay

2. 3. 4. The headlamps can temporarily illuminate the way ahead when exiting the vehicle at night. Rotate the control for delay periods of 30, 60, or 120 seconds.

# STARTING AND DRIVING

## Cruise control and Automatic speed limiter (ASL)

See page 2, item 39

### Setting the Cruise control speed



1. Accelerate to the desired speed, then press to set and maintain the speed. Can also be used to increase speed while Cruise control is operating.
2. Resumes the set speed after Cruise control has been suspended.
3. Press to decrease the set speed.
4. Suspends Cruise control but retains the current set speed in the memory.
5. Press to switch between Cruise control and ASL.

### Setting an ASL speed limit

With ASL selected, a maximum speed can be set while the vehicle is stationary or on the move. The engine responds normally up to the set speed, but further accelerator pressure will not allow the ASL setting to be exceeded. Accelerator kickdown use will over-ride the ASL setting, allowing a higher speed to be reached. When kickdown is used, ASL is suspended.

1. With ASL selected, press to set a maximum speed. A higher maximum speed can be set at any time. The set speed is displayed in the Message center.
2. Resumes ASL assistance after a suspension, if the vehicle's speed is less than the set speed. Vehicle speed must be above 18 mph (30 km/h).
3. Press to decrease the speed limit.
4. Suspends ASL assistance.
5. Press to switch between ASL and Cruise control.

### Cruise control over-ride

Cruise control disengages when the brakes are applied or when the vehicle's speed is below 18 mph (30 km/h). Cruise control will cancel if the accelerator is used for more than 5 minutes.

## Intelligent stop/start

See page 2, item 34

Intelligent stop/start automatically activates when the ignition is switched on. If the vehicle is stopped and the brake pedal is applied, the engine switches off (unless it is required to support other vehicle systems).

**Note:** The engine will not stop automatically if a gear shift paddle has been used to select a gear.

When the brake pedal is released and a drive gear is selected, the engine restarts. A green stop/start lamp illuminates in the Instrument panel while the engine is switched off by Intelligent stop/start.

Press the Intelligent stop/start switch to deactivate the system. The message center will briefly display the message, **AUTO STOP-START OFF**.

**Note:** The engine restarts automatically if the switch is pressed while an automatic engine stop is in progress.

When the ignition is switched off and on again, Intelligent stop/start is reinstated.

## Deployable rear spoiler (DRS)

See page 2, item 33

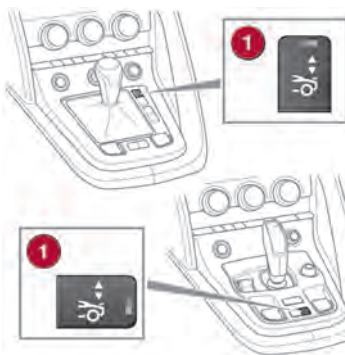
The DRS will raise automatically when the vehicle reaches a predetermined speed:

Convertible - 60 mph (96 km/h) and will retract when the speed drops below 40 mph (64 km/h).

Coupe - 70 mph (113 km/h) and will retract when the speed drops below 50 mph (80 km/h).

### Manual operation

1. Press to raise the DRS at vehicle speeds of below 60 mph (96 km/h) for the Convertible and 70 mph (113 km/h) for the Coupe.
2. Press again to return to automatic mode.



**Note:** Coupe switch graphic is similar.

# DRIVING AIDS

## Driving modes

See page 2, items 37, 49 and 50

### Manual and automatic transmission



Rain/Ice/Snow mode and Dynamic mode, allow the driver to more finely tune the vehicle's driving characteristics to suit the prevailing conditions. While a mode is selected, the relevant switch lamp is illuminated.

1. **Dynamic mode:** Coordinates the vehicle's systems to deliver a high performance driving experience. If transmission **S** is now used with paddle gear selection, there is no automatic gear change, even if the rev limit is reached.

**NOTE:** This mode remains selected for 6 hours after the engine is switched off.

2. **Rain/ice/snow mode:** Use in slippery road conditions. Moderates engine response and modifies the gear change strategy, to achieve the maximum possible traction.

**NOTE:** This mode remains in use until switched off.

### Dynamic launch

Enhances vehicle acceleration and automatic gear changes during a launch from standstill.

1. With Dynamic mode selected, press and hold the brake pedal with the left foot.
2. Select transmission **D** or **S** and lightly press the accelerator until the Message center displays **DYNAMIC LAUNCH READY**.
3. Release the brake pedal and then fully press the accelerator pedal. **DYNAMIC LAUNCH ACTIVE** is displayed in the Message center and rapid acceleration commences.

## Door mirror dip and Blind spot monitor (BSM)

See page 2, item 47

### Passenger side mirror dip when reversing

This feature can be used to improve the passenger side lower view, while reversing. Mirror dip can be selected or deselected from the Instrument panel menu. Select from the **Vehicle Settings** menu, then select the desired option from the list.

### To set a dip position

1. With the Electric parking brake applied, select transmission position **R**.
2. Adjust the mirror position with the joystick control to show a view of the lower rear curb and vehicle.

Subsequently, each time transmission **R** is selected, the set dip position will be automatically selected. The mirrors will return to their normal position when a forward gear is selected.

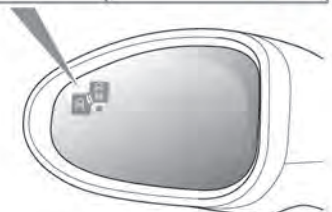
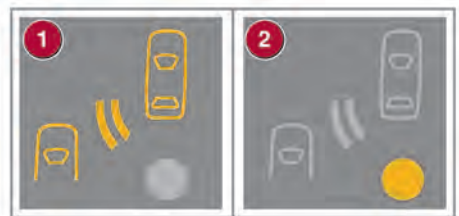
### Folding mirrors

Press both buttons simultaneously to fold the mirrors inwards. Press again to unfold.

### Blind spot monitor

BSM switches on automatically at vehicle speeds of above 6 mph (10 km/h) while in a forward gear. It monitors an area that extends approximately 20 ft (6 m) behind the rear wheels and 8.2 ft (2.5 m) to the sides.

1. Each mirror displays amber icons to warn of overtaking vehicles in adjacent lanes.
2. The amber dot remains illuminated until the vehicle's speed exceeds 6 mph (10 km/h).



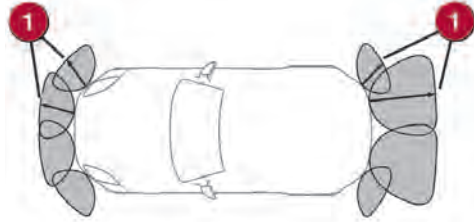


## Parking aids

See page 2, item 21

When transmission **R** is selected, Parking aids sensors at the rear and front of the vehicle activate. When a forward gear is selected and the front Parking aids are required, press the Parking aids switch to the left of the Touch screen. Forward speed must be kept below 10 mph (16 km/h).

1. When a Rear camera is not fitted, the Touch screen displays a vehicle graphic and indicates the approximate distance to any object detected.



**Note:** Sensors may activate when water, snow, or ice are detected on their surfaces. Make sure that the sensors are cleaned regularly.

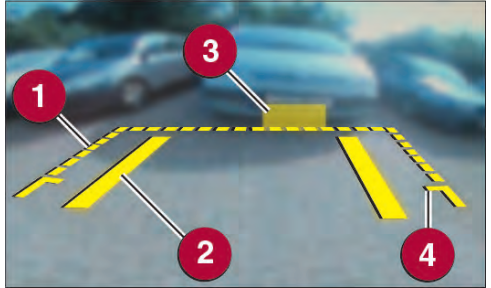
An audible alert increases in frequency as the object is approached.

The audible alert volume can be adjusted via the Touch screen. Select the **Home menu**, then **Setup** followed by **System**. Now select **Volume presets**. Use the **+** or **-** soft keys, alongside **Parking aid**, to adjust the volume.

## Rear camera

The Rear camera activates when transmission **R** is selected and has priority over the Parking aid view. The Touch screen displays guidance lines to aid reversing.

To display the Parking aid vehicle graphic instead, move the transmission to a forward gear, then back to **R**.



1. Broken line - full width of the vehicle.
2. Solid line - projected reversing path based on the current steering wheel position.
3. Parking sensor activation - shaded area indicates which rear sensors are active.
4. Access guide line - do not reverse beyond this point if trunk access is required.

## Valet mode

The glovebox, trunk, and the Touch screen can be security locked to deny access to a parking attendant.

### Selecting Valet mode

1. From the Touch screen, select the **Home menu**.
2. Now select **Valet**.
3. Enter a 4 digit PIN (personally chosen) and touch **OK**. You will be requested to confirm the PIN number.
4. **Valet mode activated** is displayed.

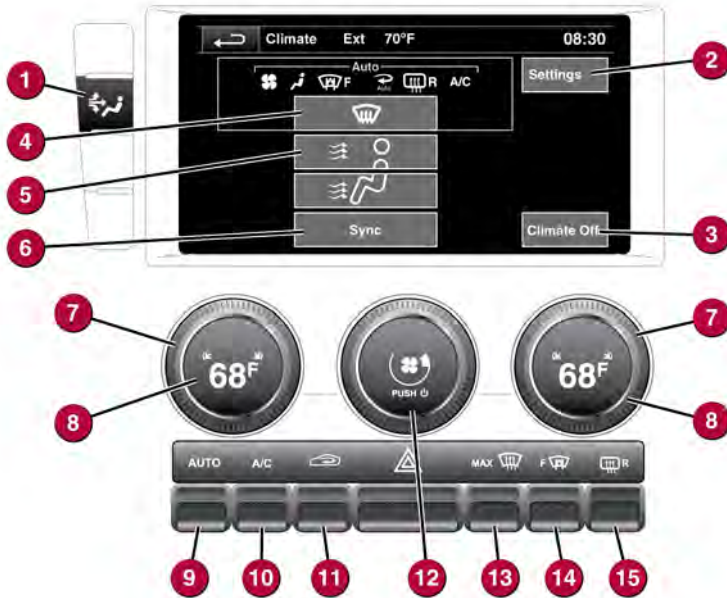
### Deselecting Valet mode

1. Select **Valet** on the Touch screen.
2. Enter your 4 digit PIN and touch **OK**.
3. **Valet mode deactivated** is displayed, the glovebox, trunk and Touch screen are unlocked.

# HEATING AND VENTILATION

## Climate control

See page 2, items 12 to 14, 16 to 18, 20 and 27



1. Press to access the Climate control menu.
2. **Settings** menu.
3. Climate control on/off.
4. Air to the windshield.
5. Air distribution: More than one setting can be selected at the same time. Depending on the setting, the deployable center vents may open or close.  
**Note:** The center vents will always close automatically when the Climate control or ignition is switched off.
6. Synchronizes the left and right settings.
7. Temperature controls.
8. Press to switch the seat heating on. Rotate clockwise to select low, medium or high temperature. Rotate counter-clockwise to switch off.
9. **AUTO**: This is the recommended operating mode. Automatically adjusts the air conditioning, blower speed, air intake and airflow distribution to maintain the selected temperature(s). The deployable center vents will open and close, as required. Fogging will be reduced.
10. Air conditioning (AC) on/off.
11. Recirculation: Helps to prevent fumes from entering the vehicle. Prolonged use may cause the windows to fog.
12. Blower speed: Rotate to adjust. Press to switch off the Climate control.
13. **MAX**: Fastest method to remove frost or heavy fogging from the windshield.
14. **F**: Heated windshield.
15. **R**: Heated rear screen.

### External water deposits

The system removes moisture from the air and deposits the excess water beneath the vehicle. This is normal and is no cause for concern.

### Seat heating

Seat heating operates only while the engine is running. This is to prevent the battery becoming discharged.

## Media controls

See page 2, items 23, 24, 30, 42 and 43

### Touch screen damage

The Touch screen requires only light touches. Excess pressure could result in damage.

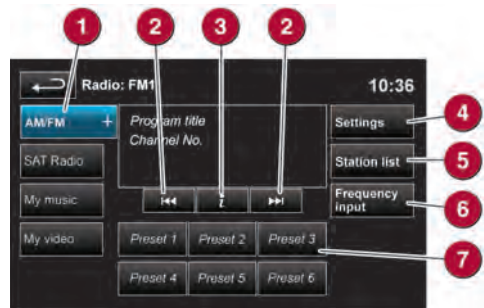


1. On/off and volume control.
2. Touch screen.
3. Press **MODE** repeatedly to select the required media source.
4. Press to select the **Media** menu screen.
5. **MODE**: Press the steering wheel control repeatedly to scroll through the available sources. While a source is displayed, press and hold to scroll through sub-selections.
6. Press to increase the volume.
7. Press to decrease the volume.
8. Seek up: Short press to select the next preset or track. Press and hold to select the next radio station.
9. Seek down: Short press to select the previous preset or track. Press and hold to select the previous radio station.

## Radio

On the Touch screen **Home menu**, touch the **Media** option. The last used audio source controls is displayed. Select **Radio**.

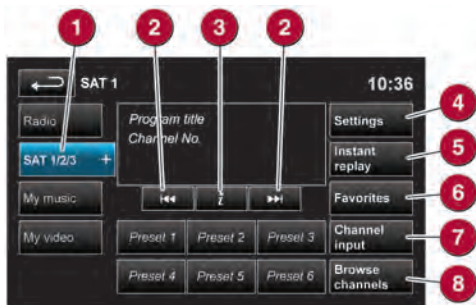
1. Touch to view and select wavebands.
2. Move up or down to the next or previous station. Briefly touch for auto-seek, longer touch for manual seek.
3. More information broadcast by the radio station.
4. **Settings** menu: Select from the available features. Features are market dependent.
5. **Station list** (FM only): Select to view a list of available stations. The list can be sorted by **Frequency**, **Name** or **Category**, by selecting the appropriate soft key. Touch to select the chosen station.
6. **Frequency input**: Enter a station frequency. When the final digit is entered, the station will be tuned.
7. Preset soft keys: Can store 6 stations for each waveband. Touch and hold a soft key to store the current radio station.



## Satellite radio subscription service

On the Touch screen **Home menu**, touch the **Media** option. Select **SAT Radio**.

Use channel 184 to preview satellite radio. When the preview time expires, you will need to subscribe to SIRIUS to enable further satellite reception.



1. Touch to select the satellite bands. Touch the + icon to move through **SAT 1**, **2** and **3**.
2. Use the seek arrows to move up or down to the next or previous channel.
3. Channel information: Select if there is more information than can fit in the display area.

4. Select to make personal settings in **Options**, **Channel skip** and **Parental lock** areas.
5. Touch to enter the **Instant replay** menu. Instant replay allows live audio to be paused, rewound, and replayed.
6. Store the currently playing track to the song memory. If the system subsequently finds a stored track playing on a subscribed channel, notification will be given.
7. Select to access the touchpad. Enter any 3 digit channel number and then select **OK**.
8. Touch to view a list of channel categories. Select one to display full details of that channel and the current track.

**Note:** Use the seek buttons on the steering wheel to find preset channels.

### Activating satellite radio

When the Satellite radio screen is first accessed, SIRIUS information will be displayed on the Touch screen.

1. Call SIRIUS on the displayed phone number to subscribe to the service.
2. Provide them with the ID number, also displayed on the Touch screen.

You will also need a credit card for payment. Make sure that you are parked with a clear view of the sky while activation takes place. Activation can take up to 15 minutes.

## Portable media

On the Touch screen **Home** menu, touch the **Media** option. Select a portable media source.



1. Touch **My Music** to display the **Source** key. Touch to display all options. Select a source.
2. **Settings** menu: For MP3, select the number of list entries that are skipped when using the page up/down arrows.
3. Depending on the selected mode, this soft key will be either **Track list** or **Browse**. In Stored CD mode, both soft keys will be displayed. Select **Track list** to view the current CD or Stored CD track list. Select a track to start playback. Select **Browse** to view the contents of the selected device (iPod, USB and Stored CD modes only).

4. **Upload** is applicable to the **Stored CD** menu only. To store a CD, select **Upload** alongside an empty slot. A percentage count is displayed. There are 10 slots available.
5. Touch and release to skip up or down to the next or previous track. Touch and hold to scan forwards, or backwards, through the current track.
6. **Repeat**: Touch and release to repeat the current track continuously. Touch and release again to repeat the current stored CD, current MP3 folder, or the current USB folder. Touch and release a third time to cancel Repeat mode.
7. **Pause/Play**: Select to pause playback. Select again to resume playback.
8. View **information** about the current track.
9. **Shuffle**: Touch and release once to play random tracks from the current CD, MP3 folder, USB folder, or iPod playlist. Touch and release again to play random tracks from CD, MP3 disc, USB folders, tracks on the media device, or tracks loaded onto the stored CD store. Touch and release a third time to cancel Shuffle mode.

*Note: Repeat and Shuffle modes are not available for Bluetooth® wireless technology devices.*

*Note: When connecting a Bluetooth wireless technology device, use the Touch screen to operate and search the device. Many of the controls are similar to CD operation.*

## CD loading and portable media

The CD/DVD loading slot and the connecting ports for portable media devices, are located inside the center console cubby box.



1. CD/DVD loading slot.
2. CD/DVD eject button.
3. 3.5 mm AUX socket.
4. USB/iPod socket.

The CD/DVD player will accommodate one CD or DVD disc at a time, but with **Stored CD**, up to 10 CDs can be loaded onto the virtual CD store. Use **My music/Upload** to load discs. While a disc is loading, a percentage count is displayed on the soft key. If the hard drive is full, select **Replace** to overwrite an existing CD.

The 3.5 mm AUX socket allows extra equipment, e.g., a personal stereo, MP3 player, hand-held navigation unit, etc., to be connected to the media system. Devices connected to the AUX socket are controlled only from the device itself.

When connecting to the USB/iPod socket, use the cable supplied with your device. iPod and USB devices can be operated from the Touch screen.

The media system will play MP3, WMA and AAC files from a memory stick, a USB controlled MP3 player or a mobile phone.

Some MP3 players use proprietary file systems that are not supported by the vehicle's media system. MP3 players must be set to **Removable Device** or **Mass Storage Device mode** (see the manufacturer's information). Only music files added to the device while in this mode can be played via the media system.

## Touch screen navigation

See page 2, item 26

### Country selection

On initial activation, make sure that both the correct country and search area have been selected.

For more information, refer to the Navigation section of the Owner's Handbook.



**Note:** To access navigation, press either the **NAV** hard key or touch the **Nav** icon on the **Home menu**.

1. Use to enter a new destination. Provides a choice of options when entering a destination.
2. Displays previous destinations entered. A previous destination can be selected as a new destination.
3. Turns the POI (Point of Interest) icons on the map on/off.
4. When a destination is set, the icon in this position, is replaced by a soft key which enables the last voice instruction to be repeated.
5. Highlighted while Voice guidance is enabled. Touch to switch Voice guidance off.
6. POI shortcuts: Touch an icon to list available POIs that are close to the vehicle's position.
7. Use to calculate a detour from the current route.
8. Advances to the main map screen.
9. There are 2 navigation menu screens. Use the **More...** soft key to toggle between them. The second map screen features the following soft keys:
  - **Stored locations:** Use to manage the stored data.
  - **TMC (Traffic Message Channel):** Provides data about road conditions and any events on the route ahead that may affect the current route.
  - **Route options:** Allows selection of various options for the route.
  - **Nav set-up:** For setting personal preferences within the Navigation system.
10. Cancels the current Route guidance.

### Selecting navigation

When navigation is selected after the ignition is switched on, a caution screen is displayed. Touch **Agree**.

**Note:** At the first time of accessing the caution screen, set the required language.

### Setting a destination

Select **Destination entry**.

1. Select **Address** and enter address details using the keypad.
2. As each part of the address is refined, touch **OK** or **List** to display all of the streets and towns that are available for selection.
3. If the house number is not known, touch **OK**. The mid-point of the road is then used as the destination.
4. When the address entry fields are complete, press **OK** to move to the map screen.

### Start guidance

The map screen displays the selected destination. Touch **GO** to start route calculation. Touch **Review route** if you want to take an alternative route.

Touch **Go** to start guidance.

### Review route

There will be a choice of **3 routes** or **Change route**. **3 routes** displays 3 different route options on the map. Select Route **1**, **2**, or **3** by touching the respective box displayed on the right side of the map and then select **GO**.

# PHONE

## Bluetooth® wireless technology devices

See page 2, items 7, 25 and 43

### Bluetooth Connectivity

For the latest compatibility information, go online to [www.jaguar.com](http://www.jaguar.com) and search for Bluetooth.

Connection must be made with the ignition on or with the engine running.

Use the following procedure in conjunction with your phone manufacturer's instructions.

### Pairing and connecting using your phone

**Note:** The process of pairing and connecting a phone to the vehicle will vary, depending on the type of phone used.

1. Switch the ignition on and make sure that the Touch screen is active.
2. From the **Home menu**, select **Phone**.
3. If no phone is connected, select **Search new**, otherwise, select **Change phone** and then select **Search new**.
4. Select the **Device to vehicle** option.

**Note:** The vehicle's **Bluetooth** wireless technology system is discoverable for only 3 minutes.

5. Using your phone, search for **Bluetooth** wireless technology devices. On some phones, this is referred to as a new paired device. See your phone's operating instructions for further information.
6. When the vehicle's system is discovered, begin the pairing process and follow the on-screen instructions.
7. When requested, enter a PIN of your choice into your phone and the vehicle's system. Select **OK**.
8. When your phone is paired and connected, a confirmation message is displayed.

**Note:** Some phones require the pairing to be set as 'authorised' or 'trusted' in order to automatically connect. Please refer to your phone's operating instructions for further information.

### Downloading phonebook entries

When a phone with phonebook download capability is paired and connected, its phonebook directory can be automatically downloaded to the vehicle's system.

See **PHONEBOOK** in the Owner's Handbook for more information.

### Calls via the Touch screen

With a paired and active phone, press the **PHONE** button to the right of the Touch screen.



1. Select **Digit Dial**, **Phonebook**, or **Last 10**. With **Digit Dial** selected, use the keypad to enter the number. With **Phonebook** selected, choose a number from the downloaded phonebook. **Last 10** displays the previous 10 calls. Choose one to dial.
2. Touch the green connect icon to make a call. The icon will change to a red connected call icon. Touch the red icon to end a call.

### Calls via the steering wheel controls

1. Press to answer an incoming call. Press and release to make a call. Press and hold to display the Phonebook.
2. Press to move up a displayed list. While in a call, press to increase the volume.
3. Press to move down a displayed list. While in a call, press to decrease the volume.
4. Press to go to the **Last 10** list of dialed, received, or missed calls.
5. Press to move through the **Last 10** list. After the last item, the list will exit.



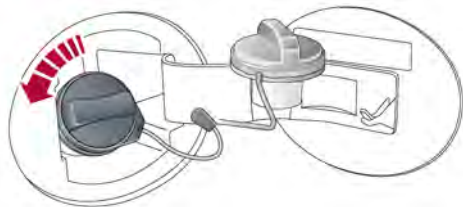
### Telephone echo

If echo is experienced when using the phone, reduce the volume during the call.

# GAS STATION INFORMATION

## Refueling

The vehicle must be in an unlocked condition before the fuel filler flap can be opened. Press the fuel filler flap firmly, approximately 1.4 in (35 mm) from the rear edge, and release. Pull the flap open. The correct fuel specification is shown on the inside of the fuel filler flap.



Twist the cap counter-clockwise to release. A hook is provided on the flap hinge to hold the cap while refueling.

Use premium unleaded fuel with a minimum octane rating of 91 AKI to achieve maximum performance, fuel economy, and driveability.

Replace the cap and turn it clockwise until the ratchet clicks. Close the fuel filler flap until it is latched in the closed position.

## Fuel information

**DO NOT** use E85 (85% ethanol content). Equipment necessary for the use of fuels containing more than 15% ethanol is not fitted to this vehicle. If E85 fuels are used, serious engine and fuel system damage will occur.

Fuels containing up to 15% ethanol (E10 and E15) may be used.

Avoid using fuel containing methanol. Fuel system damage and engine performance problems can occur when methanol is used.

Unleaded fuels containing up to 15% MTBE can be used.

## Incorrect fueling

No responsibility is accepted for damage caused by using incorrect fuels.

If the vehicle is filled with the wrong type of fuel:

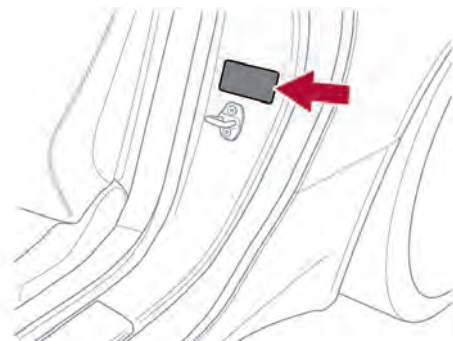
- **DO NOT start the engine!**
- **Call for qualified assistance!**

## Hood release

The hood release is located in the left-side footwell.

## Tire pressure label location

Tire pressures are shown on a label located in the driver's door opening.



**Note:** Tire pressures must be checked and adjusted while the tires are cold.