

## Foreword

---

**Congratulations on choosing a SUBARU vehicle. This Owner's Manual has all the information necessary to keep your SUBARU in excellent condition and to properly maintain the emission control system for minimizing emission pollutants. We urge you to read this manual carefully so that you may understand your vehicle and its operation. For information not found in this Owner's Manual, such as details concerning repairs or adjustments, please contact the SUBARU dealer from whom you purchased your SUBARU or the nearest SUBARU dealer.**

**The information, specifications and illustrations found in this manual are those in effect at the time of printing. SUBARU CORPORATION reserves the right to change specifications and designs at any time without prior notice and without incurring any obligation to make the same or similar changes on vehicles previously sold. This Owner's Manual applies to all models and covers all equipment, including factory installed options. Some explanations, therefore may be for equipment not installed in your vehicle.**

**Please leave this manual in the vehicle at the time of resale. The next owner will need the information found herein.**

**SUBARU CORPORATION, TOKYO, JAPAN**

"SUBARU" and the six-star cluster design are registered trademarks of SUBARU CORPORATION.

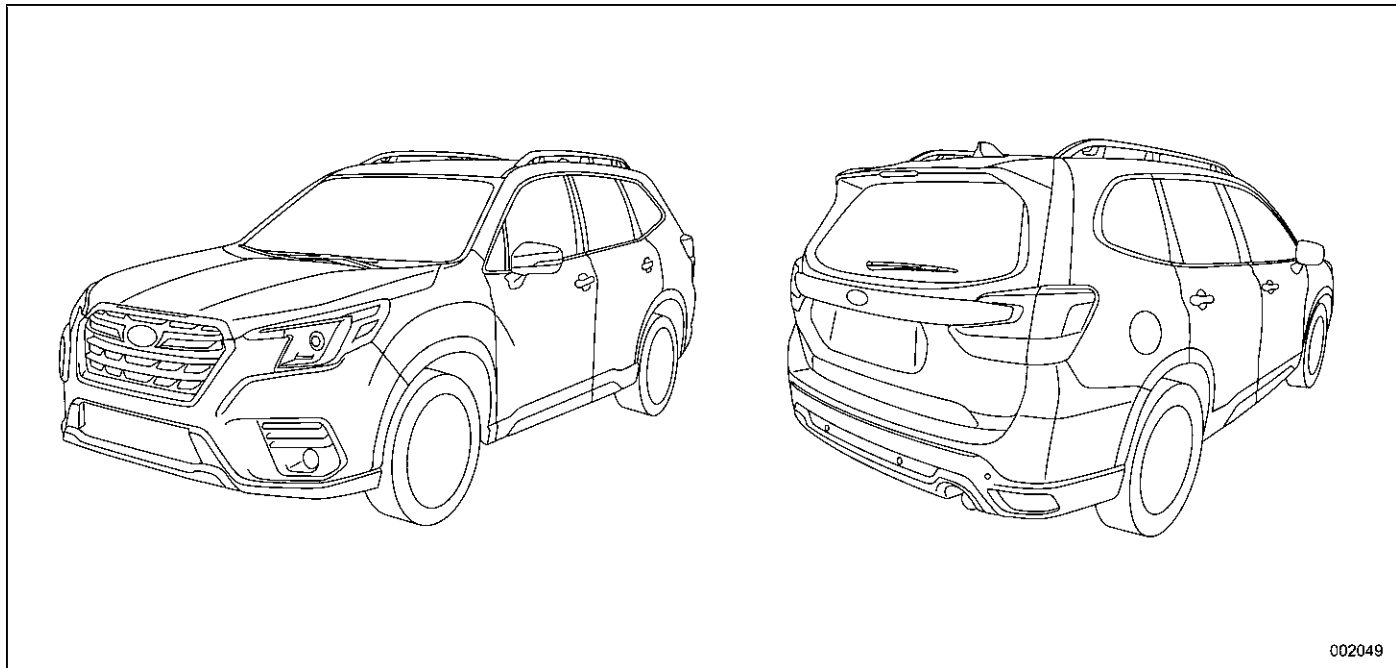
© Copyright 2021 SUBARU CORPORATION



## Vehicle type

---

This manual describes the following vehicle type.



002049



## Warranties

---

### ■ Warranties for U.S.A.

SUBARU vehicles distributed by Subaru of America, Inc. and sold at retail by an authorized SUBARU dealer in the United States come with the following warranties:

- **SUBARU Limited Warranties**
- **Federal Emission Control Systems Warranties**
- **California Emissions Control Systems Warranties**

All warranty information, including applicability, details of coverage and exclusions, is in the "Warranty and Maintenance Booklet". Read these warranties carefully.

### ■ Warranties for Canada

SUBARU vehicles distributed by Subaru Canada, Inc. and sold at retail by an authorized SUBARU dealer in Canada come with the following warranties:

- **SUBARU Limited Warranty**
- **Emission Control System Warranty**

All warranty information, including applicability, details of coverage and exclusions, is in the "Warranty and Service Booklet". Read these warranties carefully.

### ■ Warranties except for U.S.A. and Canada

All warranty information, including details of coverage and exclusions, is in the "Warranty and Maintenance Booklet". Read these warranties carefully.

## How to use this Owner's Manual

---

### ■ Using your Owner's Manual

Before you operate your vehicle, carefully read this manual. To protect yourself and extend the service life of your vehicle, follow the instructions in this manual. Failure to observe these instructions may result in serious injury and damage to your vehicle.

This manual is composed of fourteen chapters. Each chapter begins with a brief table of contents, so you can usually tell at a glance if that chapter contains the information you want.

#### **Chapter 1: Seat, seatbelt and SRS airbags**

This chapter informs you how to use the seat and seatbelt and contains precautions for the SRS airbags.

#### **Chapter 2: Keys and doors**

This chapter informs you how to operate the keys, locks and windows.

#### **Chapter 3: Instruments and controls**

This chapter informs you about the operation of instrument panel indicators and how to use the instruments and other switches.

**Chapter 4: Climate control**

This chapter informs you how to operate the climate control.

**Chapter 5: Audio**

This chapter informs you about your audio system.

**Chapter 6: Interior equipment**

This chapter informs you how to operate interior equipment.

**Chapter 7: Starting and operating**

This chapter informs you how to start and operate your SUBARU.

**Chapter 8: Driving tips**

This chapter informs you how to drive your SUBARU in various conditions and explains some safety tips on driving.

**Chapter 9: In case of emergency**

This chapter informs you what to do if you have a problem, such as a flat tire or engine overheating.

**Chapter 10: Appearance care**

This chapter informs you how to keep your SUBARU looking good.

**Chapter 11: Maintenance and service**

This chapter informs you when you need to take your SUBARU to the dealer for scheduled maintenance and informs you how to keep your SUBARU running properly.

**Chapter 12: Specifications**

This chapter informs you about dimensions and capacities of your SUBARU.

**Chapter 13: Consumer information and reporting safety defects**

This chapter informs you about Uniform tire quality grading standards and Reporting safety defects.

**Chapter 14: Index**

This is an alphabetical listing of all that's in this manual. You can use it to quickly find something you want to read.

**For models with EyeSight system:**

For details about the EyeSight system, refer to the Owner's Manual supplement for the EyeSight system.

Depending on specifications, the vehicle shown in the illustrations may differ from your vehicle in terms of equipment.

**■ Safety warnings**

You will find a number of WARNINGS, CAUTIONS and NOTES in this manual.

These safety warnings alert you to potential hazards that could result in injury to you or others.

Please read these safety warnings as well as all other portions of this manual carefully in order to gain a better understanding of how to use your SUBARU vehicle safely.

**WARNING**

**A WARNING indicates a situation in which serious injury or death could result if the warning is ignored.**

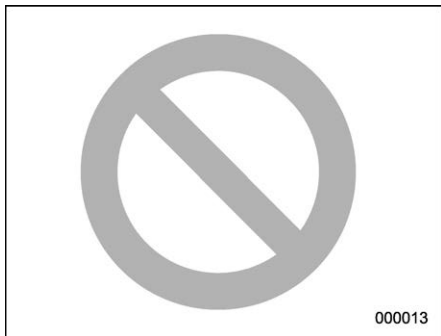
**CAUTION**

**A CAUTION indicates a situation in which injury or damage to your vehicle, or both, could result if the caution is ignored.**

**NOTE**

**A NOTE gives information or suggestions how to make better use of your vehicle.**

## ■ Safety symbol



You will find a circle with a slash through it in this manual. This symbol means “Do not”, “Do not do this”, or “Do not let this happen”, depending upon the context.

## ■ Abbreviation list

You may find several abbreviations in this manual. The meanings of the abbreviations are shown in the following list.


Abbreviation	Meaning
A/C	Air conditioner
ABS	Anti-lock brake system
AKI	Anti knock index
ALR	Automatic locking retractor
ALR/ELR	Automatic locking retractor/ Emergency locking retractor
AVH	Auto Vehicle Hold
AWD	All-wheel drive
BSD/RCTA	Blind Spot Detection/Rear Cross Traffic Alert
CVT	Continuously variable transmission
DRL	Daytime running light
EBD	Electronic brake force distribution
ELR	Emergency locking retractor
GAW	Gross axle weight
GAWR	Gross axle weight rating
GPS	Global positioning system
GVW	Gross vehicle weight
GVWR	Gross vehicle weight rating
INT	Intermittent

Abbreviation	Meaning
LATCH	Lower anchors and tethers for children
LED	Light emitting diode
MIL	Malfunction indicator light
MMT	Methylcyclopentadienyl manganese tricarbonyl
OBD	On-board diagnostics
RAB	Reverse Automatic Braking system
RON	Research octane number
SI-DRIVE	SUBARU Intelligent Drive
SRH	Steering Responsive Headlight
SRS	Supplemental restraint system
TIN	Tire identification number
TPMS	Tire pressure monitoring system

## Vehicle symbols

There are some of the symbols you may see on your vehicle.

For warning and indicator lights, refer to “Warning and indicator lights”  $\text{\textcircled{P}}24$ .

Mark	Name
	WARNING
	CAUTION
	Read these instructions carefully
	Wear eye protection
	Battery fluid contains sulfuric acid
	Keep children away
	Keep flames away
	Prevent explosions

## Safety precautions when driving

### ■ Seatbelt and SRS airbag

#### WARNING

- All persons in the vehicle must fasten their seatbelts **BEFORE** the vehicle starts to move. Otherwise, the possibility of serious injury becomes greater in the event of a sudden stop or accident.
- To obtain maximum protection in the event of an accident, the driver and all passengers must always wear seatbelts when in the vehicle. The SRS (Supplemental Restraint System) airbag does not do away with the need to fasten seatbelts. In combination with the seatbelts, it offers the best combined protection in case of a serious accident.

**Not wearing a seatbelt increases the chance of severe injury or death in a crash even when the vehicle has the SRS airbag.**

- The SRS airbags deploy with considerable speed and force. Occupants who are out of the proper position when the SRS airbag deploys could suffer very serious injuries. Because the SRS airbag needs enough space for deployment, the driver should always sit upright and well back in the seat as far from the steering wheel as practical while still maintaining full vehicle control and the front passenger should move the seat as far back as possible and sit upright and well back in the seat.

For instructions and precautions, carefully read the following sections.

- For the seatbelt system, refer to “Seatbelts”  $\text{\textcircled{P}}50$ .
- For the SRS airbag system, refer to “SRS airbag (Supplemental Restraint System airbag)”  $\text{\textcircled{P}}78$ .



## ■ Child safety



### WARNING

- Never hold a child on your lap or in your arms while the vehicle is moving. The passenger cannot protect the child from injury in a collision, because the child will be caught between the passenger and objects inside the vehicle.
- While riding in the vehicle, infants and small children should always be seated in the REAR seat in an infant or child restraint system which is appropriate for the child's age, height and weight. If a child is too big for a child restraint system, the child should sit in the REAR seat and be restrained using the seatbelts. According to accident statistics, children are safer when properly restrained in the rear seating positions than in the front seating positions. Never allow a child to stand up or kneel on the seat.
- Place children in the REAR seat properly restrained at all times in a child restraint system or in a seatbelt. The SRS airbag deploys

with considerable speed and force and can injure or even kill children, especially if they are not restrained or improperly restrained. Because children are lighter and weaker than adults, their risk of being injured from deployment is greater.

- NEVER INSTALL A CHILD RESTRAINT SYSTEM IN THE FRONT PASSENGER'S SEAT. DOING SO RISKS SERIOUS INJURY OR DEATH TO THE CHILD BY PLACING THE CHILD'S HEAD TOO CLOSE TO THE SRS AIRBAG.
- Always turn the child safety locks to the "LOCK" position when children sit in the rear seat. Serious injury could result if a child accidentally opens the door and falls out. Refer to "Child safety locks" ⓄP142.
- Always lock the passenger's windows using the lock switch when children are riding in the vehicle. Failure to follow this procedure could result in injury to a child operating the power window. Refer to "Windows" ⓄP142.
- Never leave unattended children, adults or animals in the vehicle.

They could accidentally injure themselves or others through inadvertent operation of the vehicle. Also, on hot or sunny days, temperature in a closed vehicle could quickly become high enough to cause severe or possibly fatal injuries to them.

- When leaving the vehicle, close all windows and lock all doors.

For instructions and precautions, carefully read the following sections.

- For the seatbelt system, refer to "Seatbelts" ⓄP50.
- For the child restraint system, refer to "Child restraint systems" ⓄP62.
- For the SRS airbag system, refer to "SRS airbag (Supplemental Restraint System airbag)" ⓄP78.

## ■ Engine exhaust gas (carbon monoxide)

### WARNING

- Never inhale engine exhaust gas. Engine exhaust gas contains carbon monoxide, a colorless and odorless gas which is dangerous, or even lethal, if inhaled.
- Always properly maintain the engine exhaust system to prevent engine exhaust gas from entering the vehicle.
- Never run the engine in a closed space, such as a garage, except for the brief time needed to drive the vehicle in or out of it.
- Avoid remaining in a parked vehicle for a lengthy time while the engine is running. If that is unavoidable, then use the ventilation fan to force fresh air into the vehicle.
- Always keep the front ventilator inlet grille free from snow, leaves or other obstructions to ensure that the ventilation system always works properly.
- If at any time you suspect that exhaust fumes are entering the

vehicle, have the problem checked and corrected as soon as possible. If you must drive under these conditions, drive only with all windows fully open.

- Keep the rear gate closed while driving to prevent exhaust gas from entering the vehicle.

## ■ Drinking and driving

### WARNING

Drinking and then driving is very dangerous. Alcohol in the bloodstream delays your reaction time and impairs your perception, judgment and attentiveness. If you drive after drinking – even if you drink just a little – it will increase the risk of being involved in a serious or fatal accident, injuring or killing yourself, your passengers and others. In addition, if you are injured in the accident, alcohol may increase the severity of that injury.

**Please don't drink and drive.**

Drunken driving is one of the most frequent causes of accidents. Since alcohol affects all people differently, you may have con-

sumed too much alcohol to drive safely even if the level of alcohol in your blood is below the legal limit. The safest thing you can do is never drink and drive. However if you have no choice but to drive, stop drinking and sober up completely before getting behind the wheel.

## ■ Drugs and driving

### WARNING

There are some drugs (over the counter and prescription) that can delay your reaction time and impair your perception, judgment and attentiveness. If you drive after taking them, it may increase your, your passengers' and other persons' risk of being involved in a serious or fatal accident.

If you are taking any drugs, check with your doctor or pharmacist or read the literature that accompanies the medication to determine if the drug you are taking can impair your driving ability. Do not drive after taking any medications that can make you drowsy or otherwise affect your ability to safely operate a motor vehicle. If you have a medical condition that requires you to take drugs, please consult with your doctor.

Never drive if you are under the influence of any illicit mind-altering drugs. For your own health and well-being, we urge you not to take illegal drugs in the first place and to seek treatment if you are addicted to those drugs.

## ■ Driving when tired or sleepy

### WARNING

When you are tired or sleepy, your reaction time will be delayed and your perception, judgment and attentiveness will be impaired. If you drive when tired or sleepy, your passengers' and other persons' chances of being involved in a serious accident may increase.

Please do not continue to drive but instead find a safe place to rest if you are tired or sleepy. On long trips, you should make periodic rest stops to refresh yourself before continuing on your journey. When possible, you should share the driving with others.

## ■ Modification of your vehicle

### WARNING

- Do not remove the SUBARU genuine navigation and/or audio system. If the SUBARU genuine navigation and/or audio system is removed, the rear view camera image and help lines (distance marker, dynamic guidelines and vehicle width lines) will no longer be displayed.
- For some models with Reverse Automatic Braking (RAB) system, even if the Reverse Automatic Braking (RAB) system and object detection warning is ON, the visible alert of Reverse Automatic Braking (RAB) system will not be displayed. However, the audible alert and its function will operate.

### CAUTION

Your vehicle should not be modified other than with genuine SUBARU parts and accessories. Other types of modifications could affect its performance, safety or durability, and may even violate governmental

regulations. In addition, damage or performance problems resulting from modification may not be covered under warranties.

## ■ Use of cell phones/texting and driving

### CAUTION

Do not talk on a cell phone or text while driving; it may distract your attention from driving and lead to an accident. If you use a cell phone to talk or text, first pull off the road and park in a safe place. In some States/Provinces, it may be lawful to talk on a phone while driving, but only if the phone is hands-free.

## ■ Driving vehicles equipped with navigation system

### WARNING

Do not allow the monitor to distract your attention from driving. Also, do not operate the controls of the navigation system while driving. The loss of attention to driving could

**lead to an accident. If you wish to operate the controls of the navigation system, first take the vehicle off the road and stop it in a safe location.**

## ■ Driving with pets

Unrestrained pets can interfere with your driving and distract your attention from driving. In a collision or sudden stop, unrestrained pets or cages can be thrown around inside the vehicle and hurt you or your passengers. Besides, the pets can be hurt under these situations. It is also for their own safety that pets should be properly restrained in your vehicle. Restrain a pet with a special traveling harness which can be secured to the rear seat with a seatbelt or use a pet carrier which can be secured to the rear seat by routing a seatbelt through the carrier's handle. Never restrain pets or pet carriers in the front passenger's seat. For further information, consult your veterinarian, local animal protection society or pet shop.

## ■ Tire pressures

Check and, if necessary, adjust the pressure of each tire and the spare (if equipped) at least once a month and before any long journey.

Check the tire pressure when the tires are cold. Use a pressure gauge to adjust the tire pressures to the values shown on the tire inflation pressure label. For detailed information, refer to "Tires and wheels" P483.



### WARNING

**Driving at high speeds with excessively low tire pressures can cause the tires to deform severely and to rapidly become hot. A sharp increase in temperature could cause tread separation, and destruction of the tires. The resulting loss of vehicle control could lead to an accident.**

## ■ Attaching accessories



### WARNING

- Do not attach any accessories, labels or stickers (other than properly placed inspection stickers) to the windshield. Such items may obstruct your view.

- If it is necessary to attach an accessory (such as an electronic toll collection (ETC) device or security pass) to the windshield, consult your SUBARU dealer for details on the proper location.
- Do not connect any unauthorized accessories or devices to the data link connector (OBDII port). This connector should be used only with compatible diagnostic devices for inspection and maintenance by an authorized service technician using authorized service tools. Connecting unauthorized devices, such as a driver-behavior tracking device, may adversely affect vehicle systems, including safety systems, or allow others to access information stored in your vehicle. The use of unauthorized devices may also cause unexpected malfunctions, such as a drained battery, or may damage vehicle systems. The manufacturer's warranty will not cover any part that malfunctions, fails, or is damaged due to the use of an unauthorized device with the data link connector.

## General information

### ■ California Perchlorate Advisory

Certain vehicle components, such as air-bag modules, seatbelt pretensioners and keyless entry transmitter batteries, may contain perchlorate material. Special handling may apply for service or vehicle end of life disposal. See [www.dtsc.ca.gov/hazardouswaste/perchlorate](http://www.dtsc.ca.gov/hazardouswaste/perchlorate).

### ■ Noise from under the vehicle NOTE

**You may hear a noise from under the vehicle approximately 5 to 10 hours after the ignition switch is turned to the "LOCK"/"OFF" position. However, this does not indicate a malfunction. This noise is caused by the operation of the fuel evaporation leakage checking system and the operation is normal. The noise will stop after approximately 15 minutes.**

### ■ Event data recorder

This vehicle is equipped with an event data recorder (EDR). The main purpose of an EDR is to record, in certain crash or near crash-like situations, such as an air bag

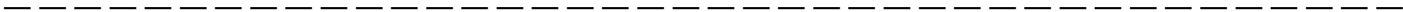
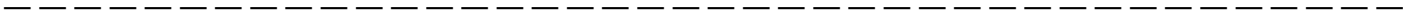
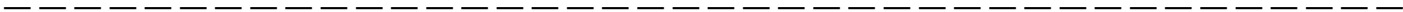
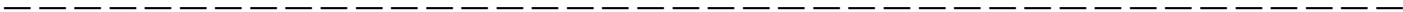
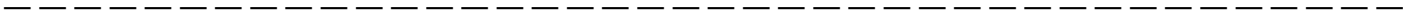
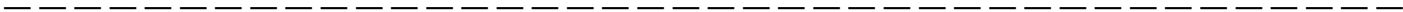
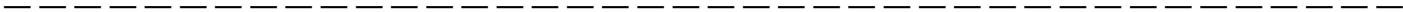
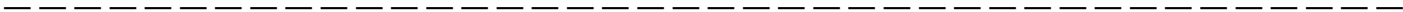
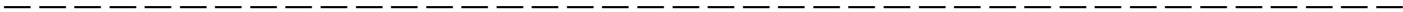
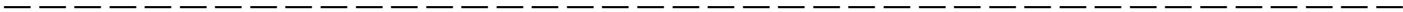
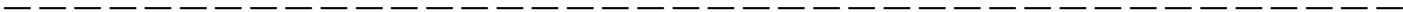
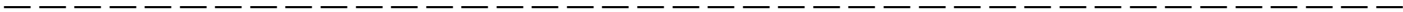
deployment or hitting a road obstacle, data that will assist in understanding how a vehicle's systems performed. The EDR is designed to record data related to vehicle dynamics and safety systems for a short period of time, typically 30 seconds or less. The EDR in this vehicle is designed to record such data as:

- How various systems in your vehicle were operating;
- Whether or not the driver and passenger safety belts were buckled/fastened;
- How far (if at all) the driver was depressing the accelerator and/or brake pedal; and,
- How fast the vehicle was traveling.

These data can help provide a better understanding of the circumstances in which crashes and injuries occur. NOTE: EDR data are recorded by your vehicle only if a non-trivial crash situation occurs; no data are recorded by the EDR under normal driving conditions and no personal data (e.g., name, gender, age, and crash location) are recorded. However, other parties, such as law enforcement, could combine the EDR data with the type of personally identifying data routinely acquired during a crash investigation.

To read data recorded by an EDR, special equipment is required, and access to the

vehicle or the EDR is needed. In addition to the vehicle manufacturer, other parties, such as law enforcement, that have the special equipment, can read the information if they have access to the vehicle or the EDR.

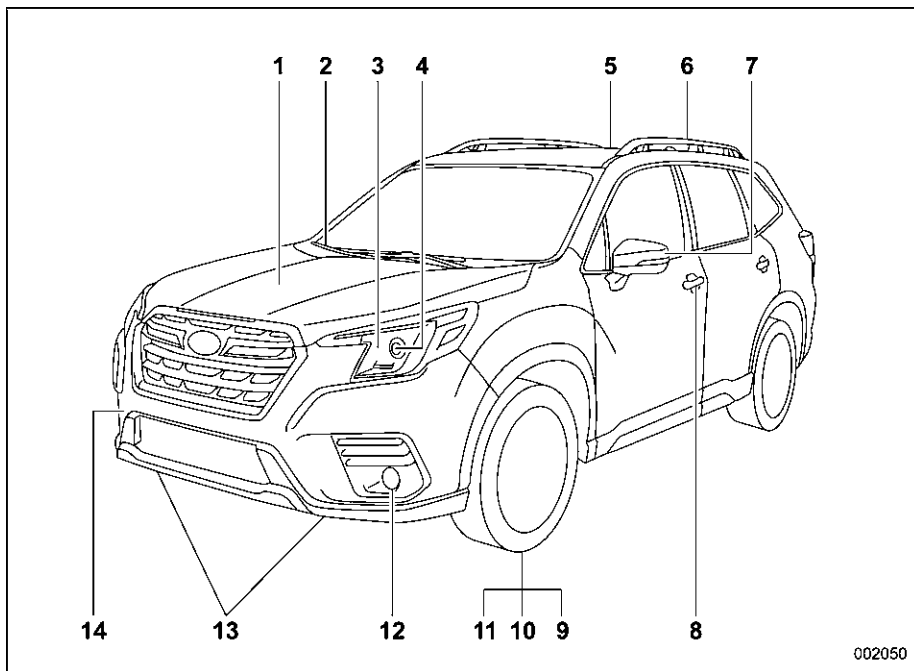


## Table of contents

<i>Seat, seatbelt and SRS airbags</i>	<b>1</b>
<i>Keys and doors</i>	<b>2</b>
<i>Instruments and controls</i>	<b>3</b>
<i>Climate control</i>	<b>4</b>
<i>Audio</i>	<b>5</b>
<i>Interior equipment</i>	<b>6</b>
<i>Starting and operating</i>	<b>7</b>
<i>Driving tips</i>	<b>8</b>
<i>In case of emergency</i>	<b>9</b>
<i>Appearance care</i>	<b>10</b>
<i>Maintenance and service</i>	<b>11</b>
<i>Specifications</i>	<b>12</b>
<i>Consumer information and reporting safety defects</i>	<b>13</b>
<i>Index</i>	<b>14</b>

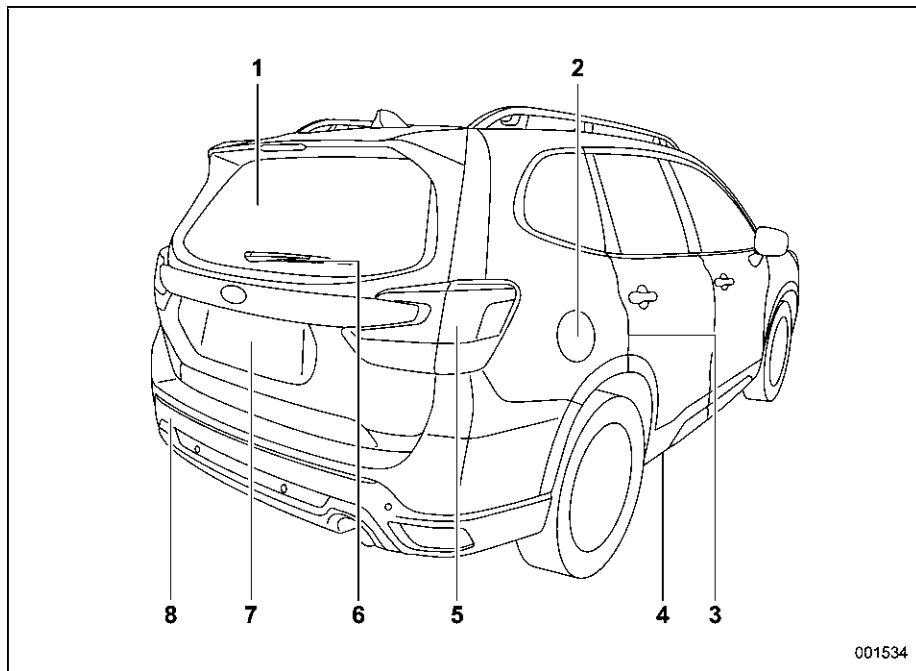
## Illustrated index

### ■ Exterior



- 1) Engine hood (page 471)
- 2) Windshield wipers (page 246)
- 3) Replacing bulbs (page 501)
- 4) Headlights (page 236)
- 5) Moonroof (page 154)
- 6) Roof rails (page 421)
- 7) Outside mirrors (page 257)
- 8) Door locks (page 135)
- 9) Tire pressure (page 486)
- 10) Flat tires (page 438)
- 11) Snow tires (page 417)
- 12) Fog lights (page 243)
- 13) Tie-down hooks (page 447)
- 14) Towing hook (page 447)



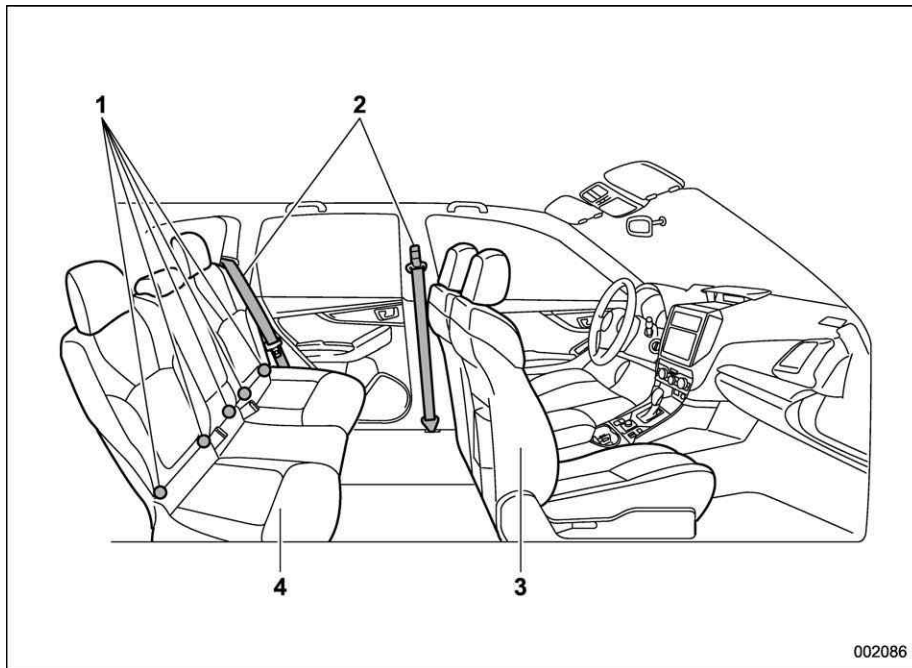


- 1) Rear window defogger (page 259)
- 2) Fuel filler lid and cap (page 311)
- 3) Child safety locks (page 142)
- 4) Tie-down hole (page 447)
- 5) Replacing bulbs (page 501)
- 6) Rear window wiper (page 248)
- 7) Rear gate (page 145)
- 8) Towing hook (page 447)

001534

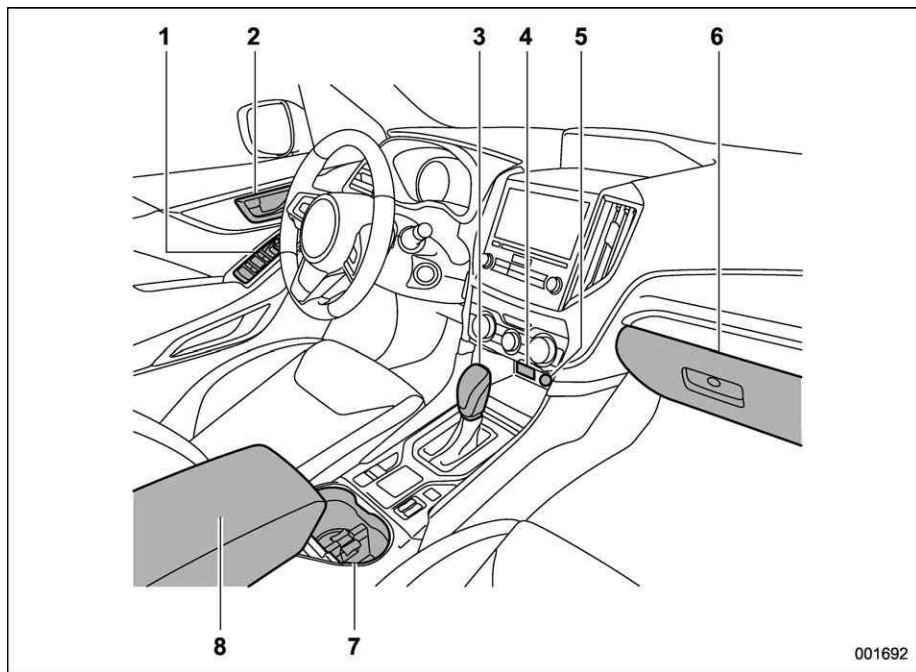
## ■ Interior

### ▼ Passenger compartment area



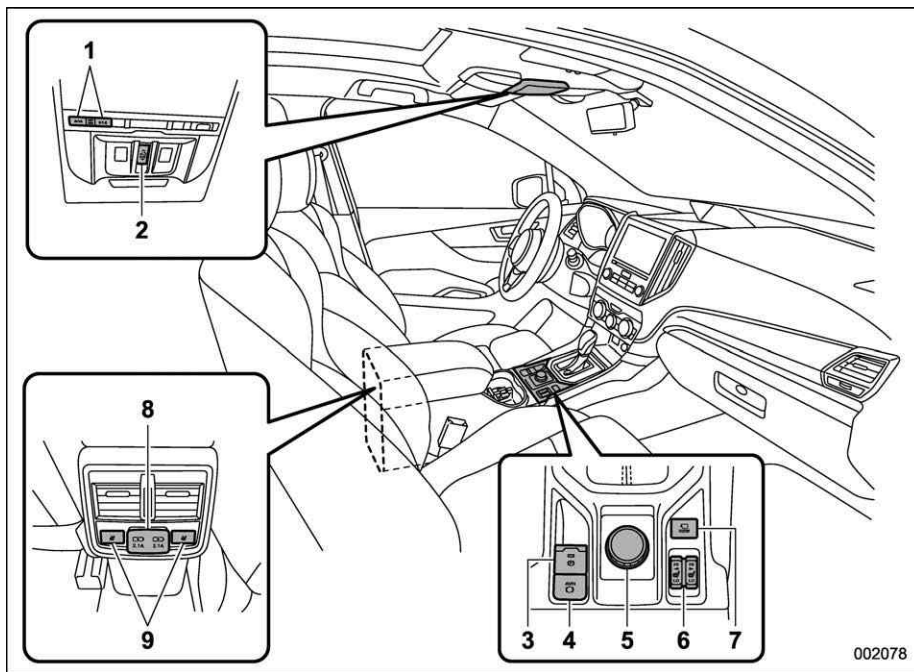
- 1) Lower anchorages for child restraint system (page 73)
- 2) Seatbelts (page 50)
- 3) Front seats (page 32)
- 4) Rear seats (page 41)

002086



- 1) Power window switches (page 142)
- 2) Door locks (page 136)
- 3) Select lever (page 330)
- 4) USB power supply (page 292)
- 5) Front accessory power outlet (page 290)
- 6) Glove box (page 288)
- 7) Cup holder (page 289)
- 8) Center console (page 289)

001692

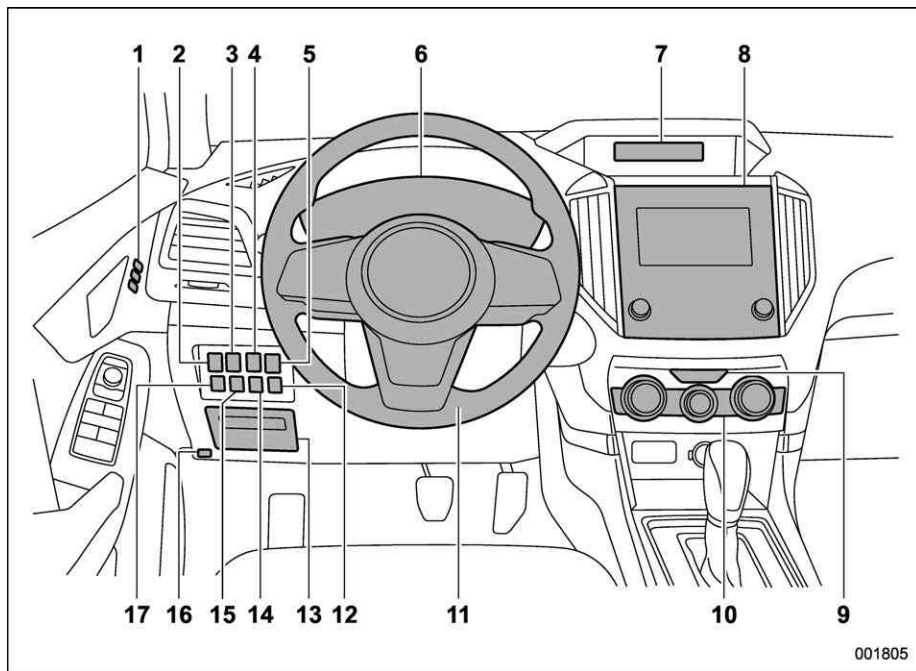


- 1) Button for SUBARU STARLINK
- 2) Moonroof switch (page 154)
- 3) Electronic parking brake switch (page 354)
- 4) Auto Vehicle Hold switch (page 356)
- 5) X-MODE switch (page 347)/Vehicle Dynamics Control OFF switch (page 345)
- 6) Front seat heater switches (page 48)
- 7) Front view monitor switch (page 301)
- 8) USB power supply (page 292)
- 9) Rear seat heater switches (page 49)

## NOTE

- For models with SUBARU STARLINK: Refer to the Owner's Manual supplement for SUBARU STARLINK.
- For models with EyeSight system: Refer to the Owner's Manual supplement for the EyeSight system.

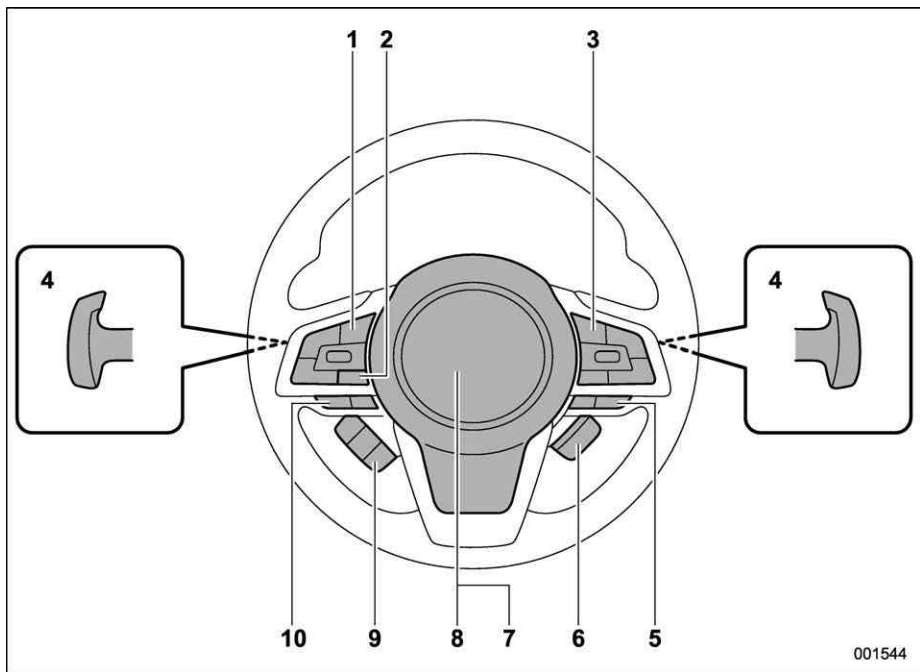
## ■ Instrument panel



- 1) Seat position memory switch (page 37)
- 2) Power rear gate button (page 146)
- 3) Steering Responsive Headlight OFF switch (page 242)
- 4) Memory switch (page 151)
- 5) Illumination brightness control dial (page 168)
- 6) Combination meter (page 164)
- 7) Type A multi-function display (black and white) (page 202)/Type B multi-function display (color LCD) (page 208)
- 8) Audio\*
- 9) Hazard warning flasher switch (page 164)
- 10) Climate control panel (page 267)
- 11) Tilt/Telescopic steering wheel (page 261)
- 12) Driver Monitoring System OFF switch (page 402)
- 13) Fuse box (page 499)
- 14) BSD/RCTA OFF switch (page 371)
- 15) Auto Start Stop OFF switch (page 360)
- 16) Hood release knob (page 471)
- 17) Vehicle Dynamics Control OFF switch (page 345)

\*: For details about how to use the audio and navigation system (if equipped), refer to the separate navigation/audio Owner's Manual.

001805



- 1) Audio control switches\*
- 2) INFO button for type A multi-function display (black and white) (page 203)/  
INFO button for type B multi-function display (color LCD) (page 210)
- 3) Cruise control switches (page 367)
- 4) Shift paddles (page 333)
- 5) SI-DRIVE switches (page 338)
- 6) Heated Steering Wheel switch (page 261)
- 7) SRS airbag (page 78)
- 8) Horn (page 262)
- 9) Combination meter display control switches (page 194)
- 10) Talk switch for voice command system\*/  
Hands-free phone switches\*

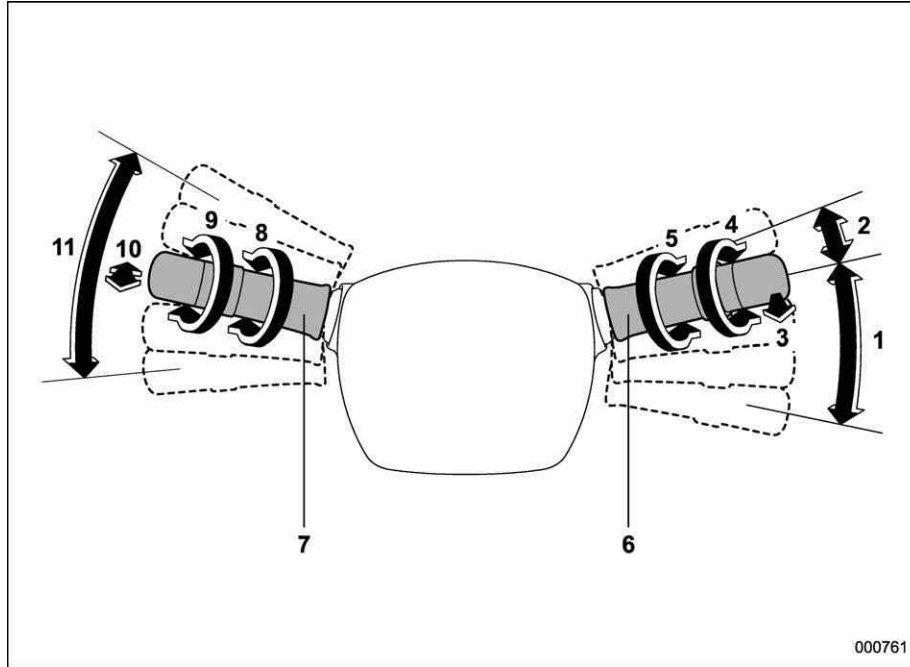
\*: For details about how to use the switches, refer to the separate navigation/audio Owner's Manual.

## NOTE

**For models with EyeSight system:  
Refer to the Owner's Manual supplement for the EyeSight system.**

001544

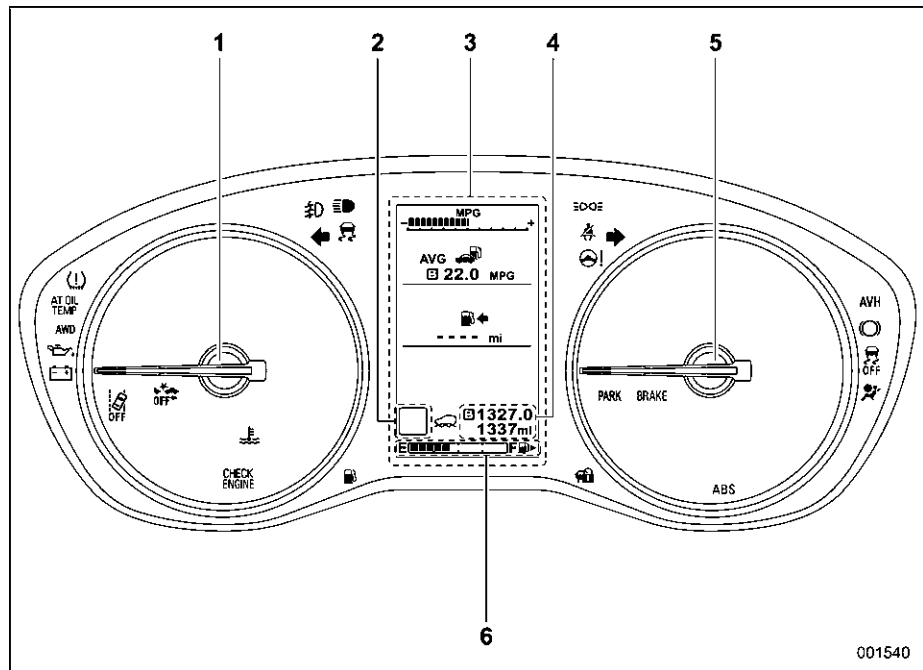
## ■ Light control and wiper control levers/switches



- 1) Windshield wiper (page 245)
- 2) Mist (page 246)
- 3) Windshield washer (page 247)
- 4) Rear window wiper and washer switch (page 248)
- 5) Wiper intermittent time control switch (page 247)
- 6) Windshield wiper and washer switches (page 246)
- 7) Light control switch (page 235)
- 8) Fog light switch (page 243)
- 9) Headlight ON/OFF/AUTO (page 236)
- 10) Headlight flasher High/Low beam change (page 238)
- 11) Turn signal lever (page 244)

## ■ Combination meter

### ▼ U.S.-spec. models

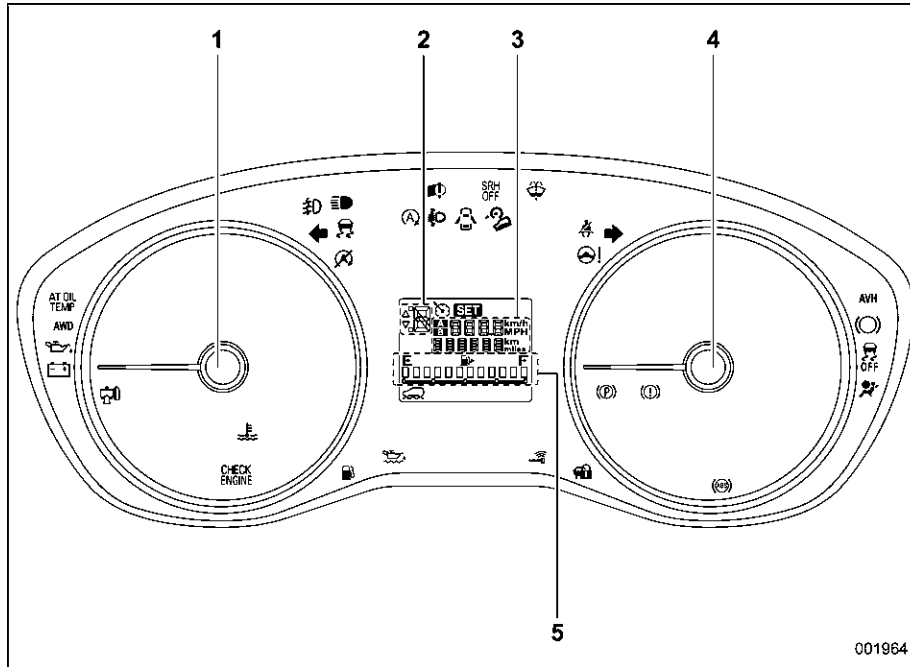


- 1) Tachometer (page 164)
- 2) Select lever/gear position indicator (page 189)
- 3) Combination meter display (color LCD) (page 194)
- 4) Trip meter and odometer (page 165)
- 5) Speedometer (page 164)
- 6) Fuel gauge (page 166)

The illustration above is a typical example. For some models, the combination meter may be slightly different than that shown in the illustration.



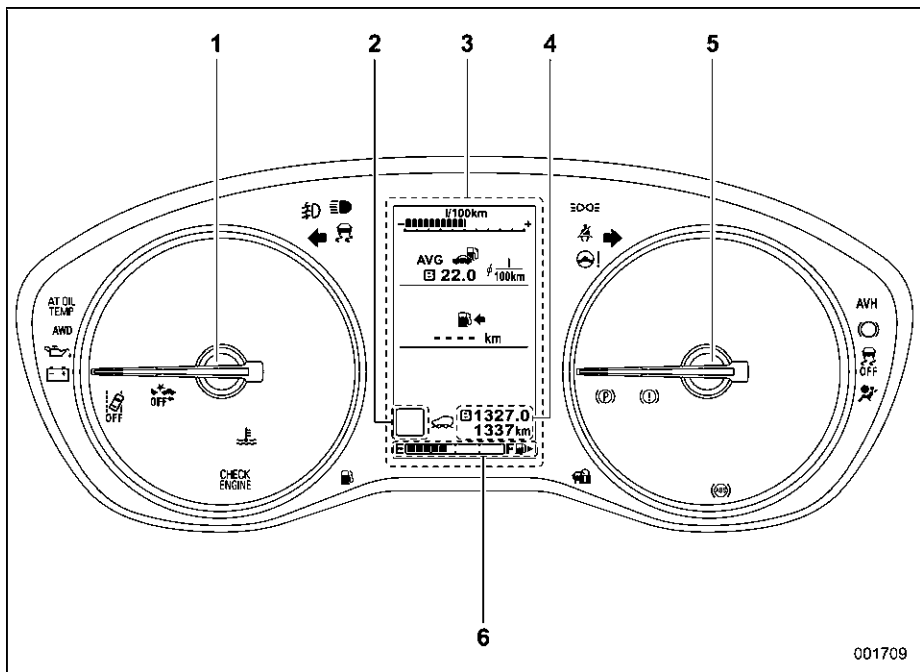
▼ Except U.S.-spec. models (type A)



- 1) Tachometer (page 164)
- 2) Select lever/gear position indicator (page 189)
- 3) Trip meter and odometer (page 165)
- 4) Speedometer (page 164)
- 5) Fuel gauge (page 166)

The illustration above is a typical example. For some models, the combination meter may be slightly different than that shown in the illustration.

## ▼ Except U.S.-spec. models (type B)















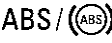
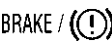
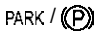






- 1) Tachometer (page 164)
- 2) Select lever/gear position indicator (page 189)
- 3) Combination meter display (color LCD) (page 194)
- 4) Trip meter and odometer (page 165)
- 5) Speedometer (page 164)
- 6) Fuel gauge (page 166)




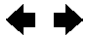






The illustration above is a typical example. For some models, the combination meter may be slightly different than that shown in the illustration.





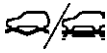









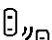


## ■ Warning and indicator lights




Mark	Name	Page
	Seatbelt warning light/ Front passenger's seatbelt warning light	169
	Rear seatbelt warning light	171
	SRS airbag system warning light	172
	Front passenger's frontal airbag ON indi- cator	172
	Front passenger's frontal airbag OFF in- dicator	172
	CHECK ENGINE warning light/Malfunc- tion indicator light	173
	Coolant temperature low indicator light/ Coolant temperature high warning light	174
	Charge warning light	175
	Oil pressure warning light	175
	Engine low oil level warning light	175

Mark	Name	Page
	AT OIL TEMP warning light	175
	Rear differential oil temperature warning light (if equipped)	176
	ABS warning light	177
	Brake system warning light (red)	178
	Electronic parking brake indicator light	179
	Door open warning light	181
	Engine hood open warning light	181
	AWD warning light	181
	Power steering warn- ing light	182
	Auto Vehicle Hold ON indicator light	180
	Auto Vehicle Hold op- eration indicator light	181

Mark	Name	Page
	Depress brake indica- tor light (if equipped)	181
	Vehicle Dynamics Control warning light/ Vehicle Dynamics Control operation indi- cator light	182
	Vehicle Dynamics Control OFF indicator light	183
	Turn signal indicator lights	190
	LED headlight warning light	191
	High beam indicator light	190
	High beam assist indi- cator light (if equipped)	190
	Automatic headlight beam leveler warning light	191
	Steering Responsive Headlight warning light/Steering Respon- sive Headlight OFF in- dicator light	191
	Front fog light indica- tor light (if equipped)	191

Mark	Name	Page
	Access key warning indicator (if equipped)	184
	Security indicator light	188
<b>[S]</b>	Sport (S) mode indicator (if equipped)	189
<b>[I]</b>	Intelligent (I) mode indicator	189
<b>S#</b>	Sport Sharp (S#) mode indicator (if equipped)	189
	Headlight indicator light (if equipped)	191
	Cruise control indicator light (if equipped)	190
<b>SET</b>	Cruise control set indicator light (if equipped)	191
 	X-MODE indicator light (if equipped)	192
	Hill descent control indicator light (if equipped)	193
	Low fuel warning light	181

Mark	Name	Page
	Low tire pressure warning light (U.S.-spec. models)	176
	Windshield washer fluid warning light	175
	Auto Start Stop warning light/Auto Start Stop OFF indicator light (yellow)	191
	Auto Start Stop indicator light (green)	192
	Auto Start Stop No Activity Detected indicator light	192
	BSD/RCTA warning light (if equipped)	193
	BSD/RCTA OFF indicator light (if equipped)	193
<b>RAB</b>	RAB warning light (if equipped)	193
<b>RAB OFF</b>	RAB OFF indicator light (if equipped)	193
	Driver Monitoring System operation indicator light (green) (if equipped)	193
	Driver Monitoring System warning light (yellow) (if equipped)	193

Mark	Name	Page
	Driver Monitoring System OFF indicator light (if equipped)	193
	Driver Monitoring System temporary stop indicator light (if equipped)	194
	Icy road surface warning light (if equipped)	194

## Function settings

### ■ Function settings and adjustments on the combination meter display (color LCD)

If your vehicle is equipped with a combination meter display (color LCD), setting adjustments to the following items can be manually changed within the display to meet your personal requirements.

#### NOTE

- If your vehicle is not equipped with a combination meter display (color LCD), setting changes to the following items will need to be performed by a SUBARU dealer. Refer to “Function settings and adjustments performed by a dealer” ☞ P29.
- For setting adjustments to the following items, refer to the appropriate page for details.

Item			Available settings	Factory default setting	Page reference for the vehicle system operation
1st menu/vehicle system	2nd menu/adjustable vehicle system setting	3rd menu/selectable vehicle system setting			
Screen Settings	Welcome Screen	—	On/Off	On	196
	Good-bye Screen	—	On/Off	On	196
	Gauge Initial Movement	—	On/Off	On	167
	Units	—	km, km/h, Liter/mile, MPH, Gallon	U.S.-spec. models: mile, MPH, Gallon Other models: km, km/h, Liter	202 and 209
	Tire Pressure Units*1	—	kPa/PSi	PSi	198
	Languages	—	English/Español/Français	U.S.-spec. models: English Other models: Français	209

Item			Available settings	Factory default setting	Page reference for the vehicle system operation
1st menu/vehicle system	2nd menu/adjustable vehicle system setting	3rd menu/selectable vehicle system setting			
Warning Volume*2	—	—	Max/Mid/Min	Mid	376 and 389 For details about EyeSight system, refer to the Owner's Manual supplement for the EyeSight system.
Rear Seat Reminder*3	—	—	On/Off	On	62
EyeSight*3	Lead Vehicle Acquisition Sound	—	On/Off	On	Refer to the Owner's Manual supplement for the EyeSight system.
	Lead Vehicle Moving Monitor Function	—	On/Off	On	
	Cruise Control Acceleration Characteristics*2	—	Lv.4 (Dynamic)/Lv.3 (Standard)/Lv.2 (Comfort)/Lv.1 (Eco)	Lv.3 (Standard)	
	Lane Centering	—	On/Off	On	
	Select Drive on Left/Drive on Right	—	Drive on Left/Drive on Right	Drive on Right	
RAB*3	Sonar Audible Alarm	—	On/Off	On	389

Item			Available settings	Factory default setting	Page reference for the vehicle system operation
1st menu/vehicle system	2nd menu/adjustable vehicle system setting	3rd menu/selectable vehicle system setting			
Vehicle Setting	Keyless Entry System	Audible Signal* <sup>3</sup>	On/Off	On	127
		Hazard Warning Flasher	On/Off	On	118
		Driver Door Unlock* <sup>3</sup>	Driver Door Only/All	Driver Door Only	121
		Rear Gate/Trunk Unlock* <sup>3</sup>	Rear Gate/Trunk Only/All	Rear Gate/Trunk Only	121
	Defogger	—	15 minutes/Continuous	15 minutes	259
	Interior Light	—	10 seconds/20 seconds/30 seconds/Off	30 seconds	286
	Auto Door Lock and Unlock	Auto Door Lock	Vehicle Speed/Shift Into or Out of PARK/Off	Vehicle Speed	137
		Auto Door Unlock	Shift Into or Out of PARK/ Ignition OFF/Driver Door Open/Off	Driver Door Open	137
	Auto Light Sensor	—	Max/Mid/Low/Min	Mid	237
	Welcome Lighting	Approaching Time Set	30 seconds/60 seconds/90 seconds/Off	30 seconds	237
		Leaving Time Set	30 seconds/60 seconds/90 seconds/Off	30 seconds	237
	One-touch lane changer	—	On/Off	On	245
	Door mirror setting* <sup>3</sup>	Reverse Tilt-Down Mirrors	On/Off	On	200
Default Settings	—	—	No/Yes	—	200

\*1: U.S.-spec. models

\*2: You can also set this while driving.

\*3: If equipped



## ■ Individual settings and adjustments excluding combination meter display (color LCD)

For setting adjustments to the following items, refer to the appropriate page for details.

Item	Function	Available settings	Factory default setting	Page
Alarm system	Alarm system	Operation/Non-operation	Operation	141
Remote keyless entry system	Audible signal	Operation/Non-operation	Operation	133

## ■ Function settings and adjustments performed by a dealer

A SUBARU dealer can change the setting adjustments of the following items to meet your personal requirements. Contact the nearest SUBARU dealer for details.

Item	Function	Available settings	Factory default setting
Alarm system	Monitoring start delay time (after closure of doors)	0 seconds/30 seconds	30 seconds
Alarm/panic alarm	Dome light, cargo area light, and map lights illumination	ON/OFF	OFF
Keyless Access (if equipped)	Audible signal volume	Level 1 to 7	Level 5
Remote keyless entry system	Audible signal volume	Level 1 to 7	Level 5
Key lock-in prevention	Key lock-in prevention	Operation/Non-operation	Operation
Battery drainage prevention function	Battery drainage prevention function	Operation/Non-operation	Operation
Seatbelt warning	Sounds a chime while driving	Operation/Non-operation	Operation
Auto on/off headlights	Auto-on/off wiper-linked	Operation/Non-operation	Operation
Reverse gear interlocked rear wiper	Reverse gear interlocked rear wiper	Operation/Non-operation	U.S.-spec. models: Non-operation Other models: Operation
Auto dimmer cancel	Sensitivity of the operation of the auto dimmer cancel	OFF/Min/Low/Mid/Hi/Max	Mid
High beam assist function (if equipped)	High beam assist function	Operation/Non-operation	Operation

Item	Function	Available settings	Factory default setting
Power rear gate open and close function (if equipped)	Power rear gate opening and closing by remote control key/access key	Non-operation/Pressing twice/ Pressing and holding	Pressing and holding
Outside mirrors reverse tilt-down (if equipped)	Reverse interlocking outside mirror target customize	Right and left mirrors/right mirror	Right mirror
	Reverse interlocking outside mirror last memory customize	Operation/Non-operation	Non-operation

# Seat, seatbelt and SRS airbags

1-1. Seats .....	32
Safety tips .....	32
Manual seat (if equipped) .....	35
Power seat (if equipped) .....	36
1-2. Rear seats .....	41
Armrest (if equipped) .....	42
Folding down the rear seatback .....	42
Reclining the seatback (if equipped) .....	44
1-3. Head restraints .....	45
Front seats .....	46
Rear seats .....	47
1-4. Seat heater (if equipped) .....	48
Safety precautions .....	48
Front seat heater .....	49
Rear seat heater (if equipped) .....	49
1-5. Seatbelts .....	50
Seatbelt safety tips .....	50
Emergency Locking Retractor (ELR) .....	52
Automatic Locking Retractor/Emergency Locking Retractor (ALR/ELR) .....	52
Seatbelt warning light and chime .....	52
Fastening the seatbelt .....	52
Seatbelt maintenance .....	58
1-6. Seatbelt pretensioners .....	59
Seatbelt with shoulder belt pretensioner .....	59
Seatbelt with shoulder belt and lap belt pretensioners .....	60
System monitors .....	60
System servicing .....	61
Precautions against vehicle modification .....	61

1-7. Rear Seat Reminder (models with combination meter display (color LCD)) .....	62
1-8. Child restraint systems .....	62
Safety precautions .....	62
Safety tips for installing child restraint systems ...	64
Where to place a child restraint system .....	65
Choosing a child restraint system .....	67
Installing child restraint systems with ALR/ELR seatbelt .....	67
Installing a booster seat or booster cushion .....	71
Installation of child restraint systems by use of lower and tether anchorages (LATCH) .....	73
Top tether anchorages .....	77
1-9. SRS airbag (Supplemental Restraint System airbag) .....	78
General precautions regarding SRS airbag system .....	78
General precautions regarding SRS airbag system for accessories and any objects .....	80
General precautions regarding SRS airbag system and children .....	82
Components .....	85
SUBARU advanced frontal airbag system .....	87
SRS side airbag and SRS curtain airbag .....	99
SRS airbag system monitors .....	106
SRS airbag system servicing .....	107
Precautions against vehicle modification .....	108
How to contact the vehicle manufacturer concerning modifications for persons with disabilities that may affect the advanced airbag system .....	109

## 1-1. Seats

### ■ Safety tips

#### ▼ Safety tips for seat

#### ⚠ WARNING

- Never adjust the seat while driving, as personal injury or loss of vehicle control may occur.
- Before adjusting the seat, ensure nothing is blocking the adjusting mechanism.
- After adjusting the seat, move it back and forth to ensure the seat is securely locked. If it is not, it may move suddenly or the seatbelt may not operate properly.
- Do not put objects under the front seats. They may interfere with front seat locking mechanism and cause an accident.
- Seatbelts provide maximum restraint when the occupant sits back and upright in the seat. To reduce the risk of sliding under the seatbelt in a collision, the front seatbacks should always be used in the upright position while the vehicle is running. If the front seatbacks are not in the

upright position and a collision occurs, the risk of sliding under the lap belt and of the lap belt sliding up over the abdomen will increase, and both can result in serious injury or death.

- The SRS airbags deploy with considerable speed and force. Occupants who are not sitting back and upright when the SRS airbag deploys could suffer serious injury. Because the SRS airbag needs enough space for deployment, the driver should always sit upright and well back in the seat as far from the steering wheel as practical while still maintaining full vehicle control, and the front passenger should move the seat as far back as possible and sit upright and well back in the seat.



100082

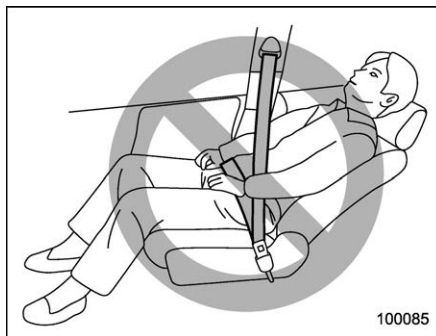
#### ⚠ WARNING

Place children in the rear seat properly restrained at all times. The SRS airbag deploys with considerable speed and force and can injure or even kill children, especially if they are not restrained or improperly restrained. Because children are lighter and weaker than adults, their risk of being injured from deployment is greater. For that reason, we strongly recommend that ALL children (including those in child seats and those that have outgrown child restraint devices) sit in the REAR seat properly restrained at all times in a child restraint system or in a seatbelt, whichever is appropriate

for the child's age, height and weight. Secure ALL types of child restraint devices (including forward facing child restraint systems) in the REAR seats at all times.

**NEVER INSTALL A CHILD RESTRAINT SYSTEM IN THE FRONT SEAT. DOING SO RISKS SERIOUS INJURY OR DEATH TO THE CHILD BY PLACING THE CHILD'S HEAD TOO CLOSE TO THE SRS AIRBAG.**

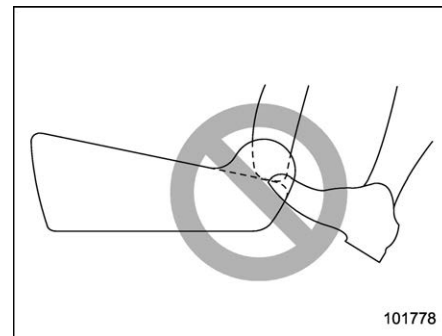
According to accident statistics, children are safer when properly restrained in the rear seating positions than in the front seating positions. For instructions and precautions concerning child restraint systems, refer to "Child restraint systems" P62.



100085

**⚠ WARNING**

To prevent the passenger from sliding under the seatbelt in the event of a collision, always put the seatback in the upright position while the vehicle is in motion. Also, do not place objects such as cushions between the passenger and the seatback. If you do so, the risk of sliding under the lap belt and of the lap belt sliding up over the abdomen will increase, and both can result in serious injury or death.

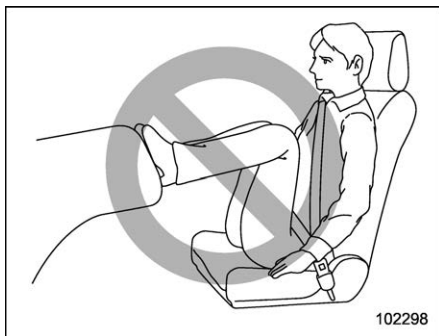


101778

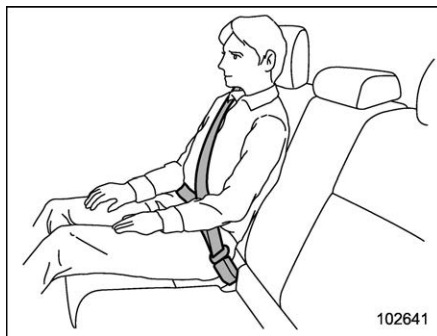
**⚠ WARNING**

Do not let rear passengers rest their feet between the front seatback and seat cushion. Doing so may interfere with the proper operation of the following systems and could result in serious injury.

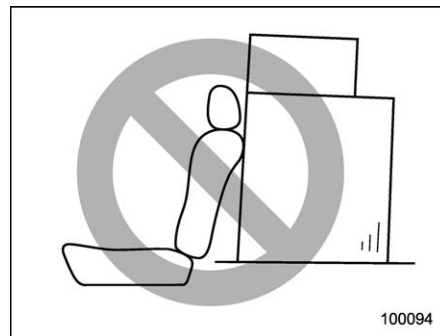
- Occupant detection system
- SRS side airbag
- Seat heater (if equipped)
- Power seat (if equipped)

**⚠ WARNING**

Do not press your feet onto the instrument panel. Doing so may prevent the occupant detection function of the SRS airbag system from functioning correctly, and may result in serious injury or death in the event of an accident.

**⚠ WARNING**

Seatbelts provide maximum restraint when the occupant sits back and upright in the seat. Do not put cushions or any other materials between occupants and seatbacks or seat cushions. If you do so, the risk of sliding under the lap belt and of the lap belt sliding up over the abdomen will increase, and both can result in serious internal injury or death.

**⚠ WARNING**

Never stack luggage or other cargo higher than the top of the seatback because it could tumble forward and injure passengers in the event of a sudden stop or accident.

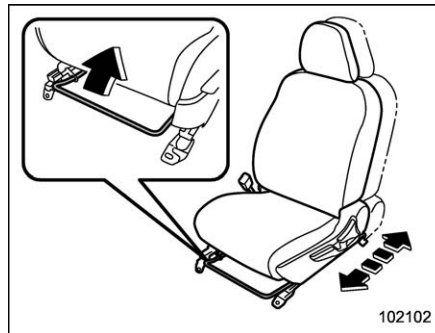
### ▼ Safety tips for head restraint

#### **WARNING**

- Never drive the vehicle with the head restraints removed because they are designed to reduce the risk of serious neck injury in the event that the vehicle is struck from the rear. Also, never install the head restraints the opposite way round. Doing so will prevent the head restraints from functioning as intended. Therefore, when you remove the head restraints, you must reinstall all head restraints correctly to protect vehicle occupants.
- All occupants, including the driver, should not operate a vehicle or sit in a vehicle's seat until the head restraints are placed in their proper positions in order to minimize the risk of neck injury in the event of a crash.

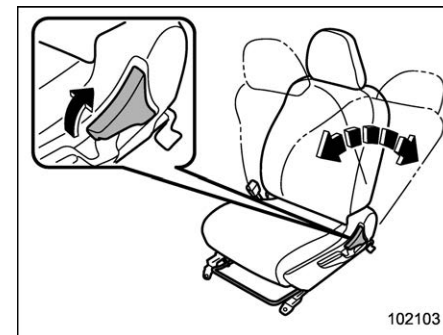
### ■ Manual seat (if equipped)

#### ▼ Forward and backward adjustment



Pull the lever upward and slide the seat to the desired position. Then release the lever and move the seat back and forth to make sure that it is securely locked into place.

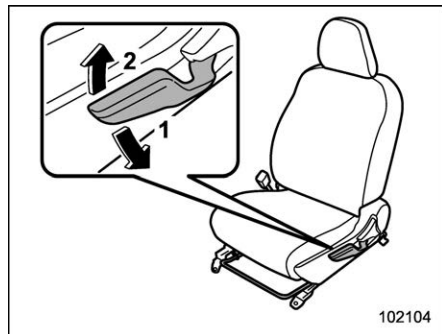
#### ▼ Reclining the seatback



Pull the reclining lever up and adjust the seatback to the desired position. Then release the lever and move the seatback back and forth to confirm that it is securely fixed in place.

The seatback placed in a reclined position can spring back upward with force when the lever is pulled. When operating the lever to return the seatback, hold the seatback lightly so that it may be raised back gradually.

### ▼ Seat height adjustment (driver's seat)



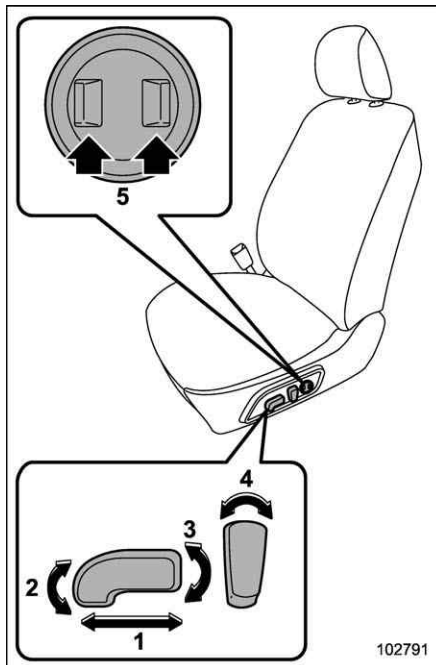
102104

- 1) When the lever is pushed down, the seat is lowered.
- 2) When the lever is pulled up, the seat rises.

The height of the seat can be adjusted by moving the seat adjustment lever up and down.

### ■ Power seat (if equipped)

#### ▼ Driver's seat



102791

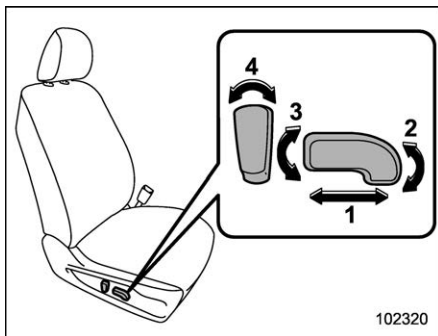
- 1) **Seat position forward/backward control switch**  
To adjust the seat forward or backward, move the control switch forward or

backward. During forward/backward adjustment of the seat, the seat cushion angle or height cannot be adjusted.

- 2) **Seat cushion angle control switch**  
To adjust the seat cushion angle, pull up or push down the front end of the control switch.
- 3) **Seat height control switch**  
To adjust the seat height, pull up or push down the rear end of the control switch.
- 4) **Seatback angle (reclining) control switch**  
To adjust the angle of the seatback, move the control switch.
- 5) **Lumbar support control switch**  
To increase lower back support, push the front side of the switch. To decrease lower back support, push the rear side of the switch.



### ▼ Front passenger's seat



102320

- 1) **Seat position forward/backward control switch**  
To adjust the seat forward or backward, move the control switch forward or backward.
- 2) **Seat cushion angle control switch**  
To adjust the seat cushion angle, pull up or push down the front end of the control switch.
- 3) **Seat height control switch**  
To adjust the seat height, pull up or push down the rear end of the control switch.
- 4) **Seatback angle (reclining) control switch**  
To adjust the angle of the seatback, move the control switch.

### ▼ Memory function (driver's seat – if equipped)

#### **⚠ WARNING**

- To avoid loss of vehicle control or personal injury, never perform the following operations while driving.
  - Adjusting the seat
  - Retrieving the seat position
- Before adjusting the seat, make sure that cargo or the hands and feet of rear seat passengers are clear of the adjusting mechanism.
- Perform the seat position retrieval before driving. Be sure to confirm that the select lever is in the “P” position, and the parking brake is applied, when adjusting the seat position. Do not drive until the retrieval of the seat position is complete.
- When retrieving a registered seat position, make sure the hands, feet and possessions of rear seat passengers are clear of the seat adjusting mechanism.
- When any unusual conditions or malfunctions occur during the

retrieval of the seat position, stop the retrieval of the seat position by performing any of the following.

- Operate any of the power seat switches.
- Press the “SET” button.
- Press button “1” or “2”.
- Operate the outside mirror control switch.

Some seat positions can be registered. Register the seat position with button “1” or “2” or each of the key fobs and retrieve the seat position.

The following seat positions can be registered.

- Forward/backward position of the seat
- Angle of the seatback
- Angle of the seat cushion
- Height of the seat
- Angle of the outside mirrors
- Angle of the outside mirrors when the reverse tilt-down operates.

#### **NOTE**

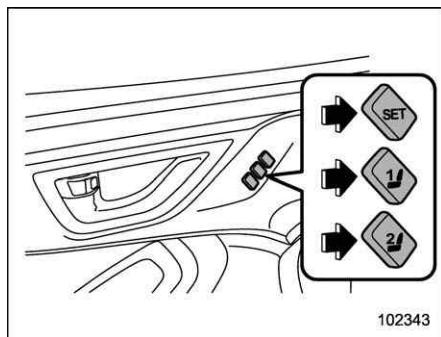
The seat position can also be retrieved with the Driver Monitoring System user information. To do so, perform user registration in the Driver Monitoring

## System settings. Refer to “Driver Monitoring System settings” P221.

### ▽ Registration of memory position with button “1” or “2”

1. Adjust the seat position under the following conditions.

- The parking brake is applied.
- The ignition switch is in the “ON” position.
- The select lever is in the “P” position.



2. Register the adjusted positions by either of the following procedures.

- Press the “SET” button, then press either “1” or “2” until a chirp sounds within 5 seconds.
- While pressing and holding the “SET” button, press either “1” or “2”

until a chirp sounds within 5 seconds.

A chirp will sound once, and the seat position and outside mirror angle on the passenger’s side will be registered.

### NOTE

**If a new position is registered for the same button, the previously registered memory position is deleted.**

### ▽ Registration of the reverse tilt-down mirror angle with button “1” or “2”

#### CAUTION

**Depress the brake pedal when registering the reverse tilt-down mirror angle.**

1. Move the select lever to the “R” position, then the outside mirror angle will move to the reverse tilt-down position.
2. Adjust the outside mirror angle. For details about the settings, refer to “Remote control mirror switch” P257.
3. Move the select lever to the “P” position, then the outside mirror angle will return to its original position.
4. Register the adjusted positions by either of the following procedures.

- Press the “SET” button, then press either “1” or “2” until a chirp sounds within 5 seconds.

- While pressing and holding the “SET” button, press either “1” or “2” until a chirp sounds within 5 seconds.

A chirp will sound once, and the seat position and outside mirror angle will be registered.

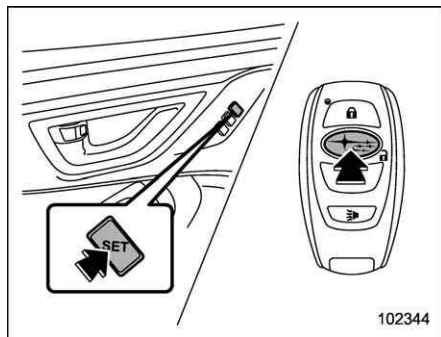
### NOTE

**The factory setting (default setting) for this function is set as the front passenger’s side mirror. The setting of the right and left side mirror/front passenger’s side mirror operation can be changed by a SUBARU dealer. Contact your SUBARU dealer for details.**

### ▽ Registration of memory position with a key fob

1. Adjust the seat position under the following conditions.

- The parking brake is applied.
- The ignition switch is in the “LOCK”/“OFF” position.
- The select lever is in the “P” position.



2. Hold the access key fob and press and hold the “SET” button, then press the “**R**” button of the access key fob.

A chirp will sound once, and the seat position is registered.

## NOTE

**When registering the seat position, carry the access key that you want to register with you. If you are carrying 2 or more access keys, registration may not be possible.**

▽ Registration of the reverse tilt-down mirror angle with the key fob

## CAUTION

**Depress the brake pedal when registering the reverse tilt-down mirror angle.**

1. Move the select lever to the “R” position, then the outside mirror angle will move to the reverse tilt-down position.
2. Adjust the outside mirror angle. For details about the settings, refer to “Remote control mirror switch” P257.
3. Move the select lever to the “P” position, then the outside mirror angle will return to its original position.
4. Turn the ignition switch to the “OFF”/“LOCK” position.
5. Hold the access key fob and press and hold the “SET” button, then press the “**R**” button of the access key fob.  
A chirp will sound once, and the reverse tilt-down mirror angle will be registered.

## NOTE

- The factory setting (default setting) for this function is set as the front passenger’s side mirror. The setting of

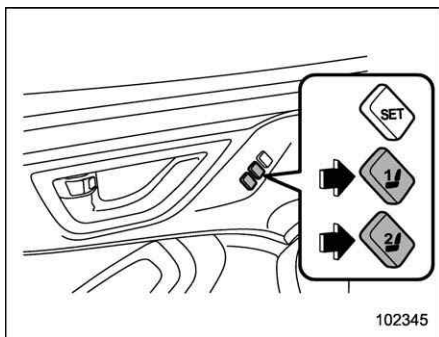
the right and left side mirror/front passenger’s side mirror operation can be changed by a SUBARU dealer. Contact your SUBARU dealer for details.

- The system stores the adjusted mirror angle for approximately 45 seconds after the ignition switch is turned to the “OFF” position. Register the mirror angle while the memory function is available.

▽ Retrieval of memory position registered with button “1” or “2”

## WARNING

**Be sure to press the correct seat button to retrieve your registered seat position. If the seat position is not optimum for you, it may adversely affect your driving and may reduce the effectiveness of the seatbelt. That could result in an accident involving serious injury or death.**



1. Turn the ignition switch to the "ON" position.
2. Put the select lever in the "P" position and apply the parking brake, then press button "1" or "2".

A chirp will sound and the seat and outside mirror move to the registered position.

When the select lever is moved to the "R" position, the outside mirror will move to the registered reverse tilt-down position.

## NOTE

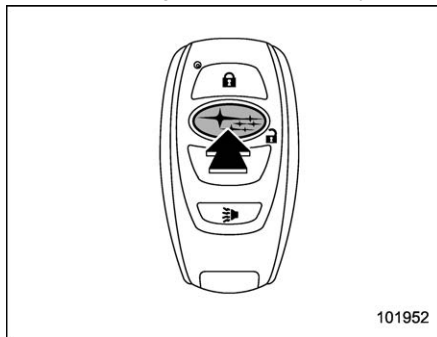
- If the vehicle battery is removed, the registered memory position data will not be deleted.
- When the button "1" or "2" is pressed within 45 seconds after the driver's door is opened, the registered

memory position can be retrieved even if the ignition switch is in the "LOCK" or "OFF" position.

- If buttons "1" and "2" are pressed at the same time, execution of seat position retrieval may not be possible.
- When the retrieved position is the same as the current seat position, a chirp will sound twice.

### ▽ Retrieval of the memory position registered with access key fob

1. Hold the registered access key fob.



2. Unlock the driver's door by pressing the "🔓" button or touching the sensor behind the door handle.
3. Open the driver's door.

A chirp will sound and the seat and angle

of the outside mirrors moves to the registered position.

When the select lever is moved to the "R" position, the outside mirror will move to the registered reverse tilt-down position.

## NOTE



- A retrieved seat position might deviate as the function is used continuously over time.
- A retrieved seat position might deviate if you attempt to continue operating the registered seat in the same direction when the registered seat is already at the farthest possible point of adjustment in any direction.
- If the registered memory position cannot be retrieved after performing the previous procedures, try the following procedures.


(1) Press the "SET" button on the driver's door.

(2) Press the "🔒" button on the access key fob or the door lock button to lock the doors.


(3) Perform the prior procedures again.

- If the keyless access function is disabled, the memory position cannot be retrieved by touching the sensor behind the driver's door handle. However, the memory position can still be

retrieved by pressing the “” button on the access key fob. For information about how to enable/disable the keyless access function, refer to “Disabling keyless access function”  P124.

- If a new position is registered for the same access key fob, the previously registered memory position data will be deleted.
- If you are carrying 2 or more access keys, seat position retrieval may not be possible.
- If, while carrying an access key, 45 seconds passed after you enter the operating range of the keyless access function, it may not be possible to retrieve the registered memory position even if the door is open. For the operating range of the keyless access function, refer to “Locking and unlocking by holding the access key fob”  P117.

#### ▽ Clearing the registered seat position with access key fob

1. Close the driver's door.
2. Hold the access key fob and press and hold the “SET” button, then press the “” button on the access key fob.

A chirp will sound, and the registered seat position and outside mirror angle on the

passenger's side will be cleared.

### NOTE

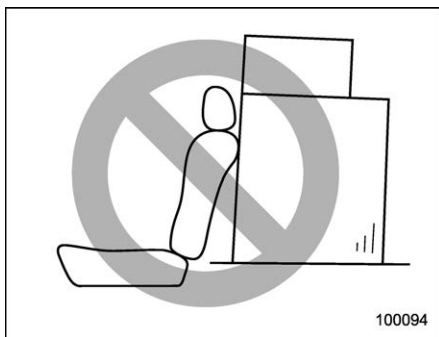
After deleting the seat position, wait for a few moments before registering a new seat position.

## 1-2. Rear seats



### WARNING

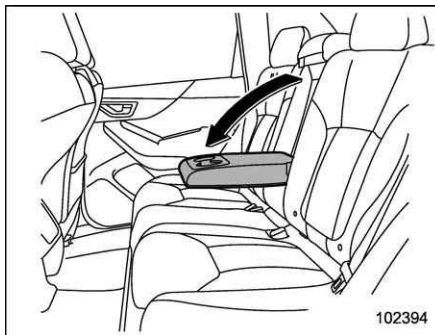
Seatbelts provide maximum restraint when the occupant sits back and upright in the seat. Do not place cushions or any other materials between occupants and seatbacks or seat cushions. By doing so, the risk of sliding under the lap belt and of the lap belt sliding up over the abdomen will increase, and both can result in serious injury or death.



**WARNING**

Never stack luggage or other cargo higher than the top of the seatback as it could tumble forward and injure passengers in the event of a sudden stop or accident.

■ **Armrest (if equipped)**



To lower the armrest, pull down the top edge of the armrest.

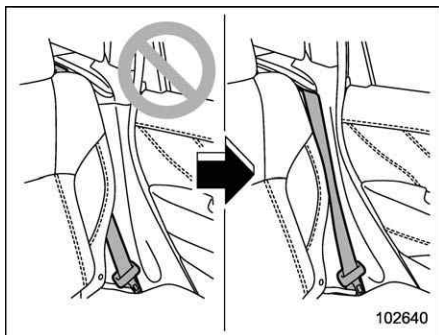
**WARNING**

- To avoid serious injury, passengers must never sit on the center armrest.
- When using the seatbelt, do not allow it to become tangled with an arm rest. The seatbelt will not perform its original function in an emergency and it may cause a serious injury.

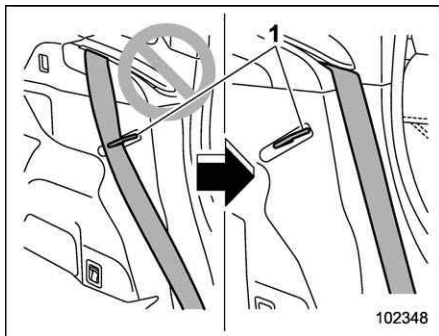
■ **Folding down the rear seat-back**

**WARNING**

- When you fold down the seatback, check that there are no passengers or objects on the rear seat. Not doing so creates a risk of injury or property damage if the seatback suddenly folds down.
- Never allow passengers to ride on the folded rear seatback or in the cargo area. Doing so may result in serious injury or death.
- Secure all objects and especially long items properly to prevent them from being thrown around inside the vehicle and causing serious injury during a sudden stop, steering maneuver or acceleration.
- When you return the seatback to its original position, shake it slightly to confirm that it is securely in place. If it is not securely fixed in place, it may suddenly fold down in the event of sudden braking, or objects may move out from the cargo area. Both could cause serious injury or death.



102640



102348

1) Striker

### ⚠ WARNING

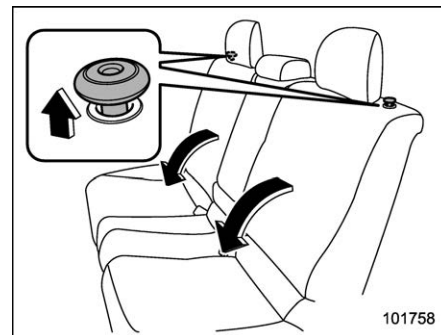
When the seatback is returned to its original position, observe the following precautions. Failure to do so may lead to serious injury or an accident because the operation efficiency of the seatbelt is inhibited.

- The seatbelt should not be caught in the seatback and it should be fully visible.
- The seatbelt should not pass behind the striker for the seatback.

### ⚠ CAUTION

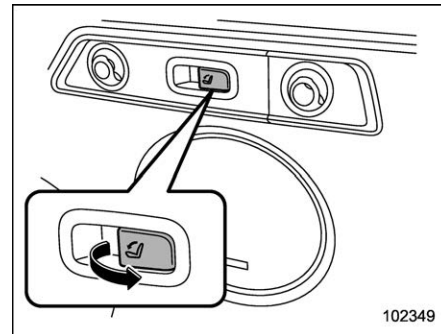
- Do not hang luggage etc. on the striker. The possibility exists that the seatback may not be able to be fixed firmly in place. This could lead to unexpected accidents.
- While driving, if something hits the release latch, it is possible that the seatback will fold down. Be careful that no luggage etc. hits the latch.

1. Lower the head restraint of the rear center seating position.



101758

Release knob

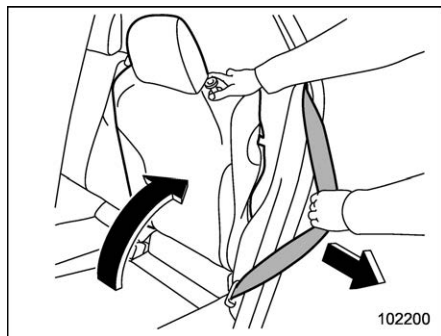


102349

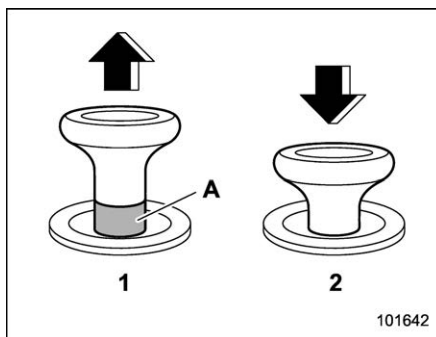
Release latch on both sides of the cargo area (if equipped)

2. Unlock the seatback by pulling the lock release knob or release latch (if equipped) and then fold the seatback down.

## ▼ Return the rear seatback


 **WARNING**

- When returning the seatback to its original position, observe the following precaution. Failure to observe the precaution may damage the seatbelt, impairing its effectiveness, and possibly result in a serious injury.
- When returning the seatback to its original position, pull the seatbelt out towards the vehicle exterior so that it will not be caught between the seatback and the trim.

**Lock release knob**


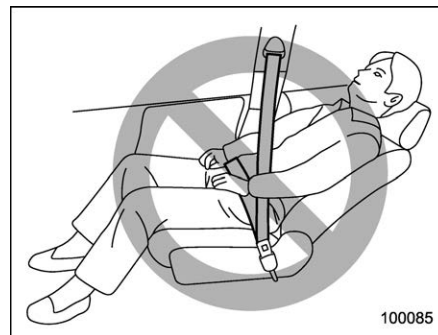
- 1) Unlocked
  - 2) Locked
- A) Unlocking marker in red

To return the seatback to its original position, raise the seatback until it locks into place and make sure that the unlocking marker on the lock release knob is no longer visible.

 **WARNING**

When you return the seatback to its original position, check that the unlocking marker on the lock release knob is not visible. Also, shake the seatback slightly to confirm that it is securely fixed in place. If the seatback is not securely fixed in place, the seatback may suddenly

fold down in the event of sudden braking, or objects may move out from the cargo area, which could cause serious injury or death.

 **Reclining the seatback (if equipped)**




**⚠ WARNING**

To prevent the passenger from sliding under the seatbelt in the event of a collision, observe the following precautions:

- Keep the seatback in the upright position while the vehicle is in motion.
- Do not place objects such as cushions between the passenger and the seatback.

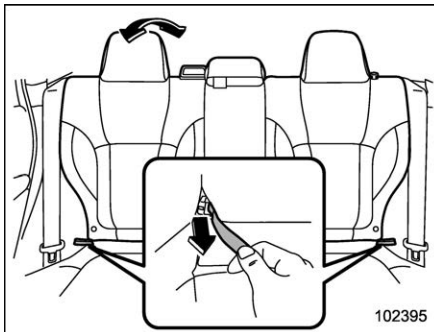
Otherwise, the risk of sliding under the lap belt and of the lap belt sliding up over the abdomen will increase, and both can result in serious internal injury or death.

**⚠ CAUTION**

If your vehicle is equipped with a cargo area cover, observe the following precautions.

- Be careful not to pinch your hand between the head restraint and the cargo area cover when you recline the rear seat.
- Move the front cover of the cargo area cover backward so that the cover is not damaged by the

reclined seatback. Refer to “Cargo area cover” Ⓞ P297.



Pull the strap and adjust the seatback to the desired position.

Then release the strap and move the seatback back and forth to confirm that it is securely fixed in place.

**1-3. Head restraints****⚠ WARNING**

The front seat head restraints are designed to be installed into the front seats only. The rear seat head restraints are designed to be installed into the rear seats only. Do not attempt to install the front seat head restraints into the rear seats, or the rear seat head restraints into the front seats.

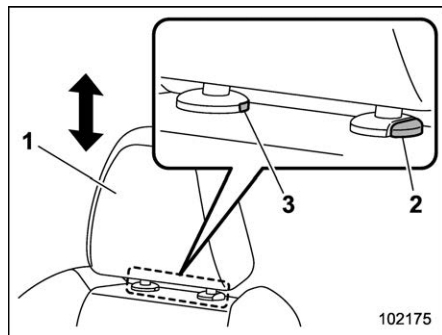
**NOTE**

It is possible to adjust the angle of the front seat head restraints only. When installing the front seat head restraints, make sure that the angle of the head restraints can be adjusted.

## ■ Front seats

Both the driver's seat and the front passenger's seat are equipped with head restraints. Both head restraints are adjustable in the following ways.

### ▼ Height adjustment



- 1) Head restraint
- 2) Release button
- 3) Remove button

### To release:

- Lowermost to the 1st step  
Pull the head restraint up to the 1st step.

### To raise:

- 1st step to the 3rd step  
Pull the head restraint up while pressing the release button on the top of the seatback.

### To lower:

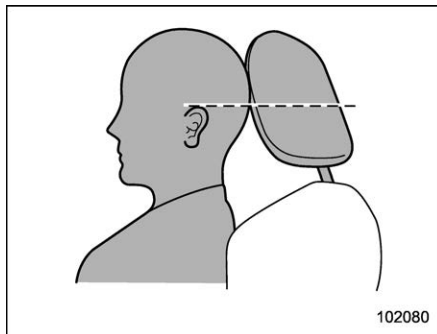
Push the head restraint down while pressing the release button on the top of the seatback.

### To remove:

Use a key or other hard, pointed object to press the remove button, then pull out the head restraint.

### To install:

Push the head restraint into the holes on the top of the seatback until it locks.



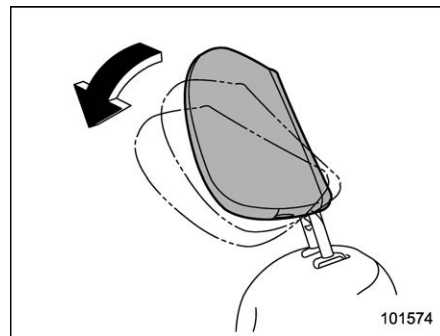
Each head restraint should be adjusted so that the center is closest to the top of the occupant's ears.

## NOTE

**When the head restraint cannot be pulled out or installed due to insufficient clearance, tilt the seat and then**

**perform the installation and removal tasks.**

### ▼ Angle adjustment



The angle of the head restraint can be adjusted in several steps. While maintaining a suitable driving posture, adjust the head restraint to a position where the back of your head is as close to the head restraint as possible.

### To tilt:

Tilt the head restraint by hand to the preferred position. A click will sound when the head restraint is locked.

### To return:

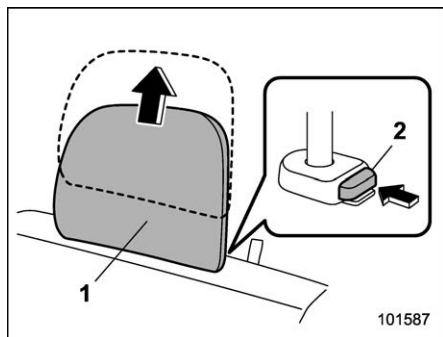
Tilt the head restraint as far forward as it can go. The head restraint will automatically return to the fully upright position.

Then, adjust the head restraint to the preferred angle.

### ■ Rear seats

Head restraints are installed in all second-row seats and can be adjusted as described below.

#### ▼ Window side seating position



- 1) Head restraint
- 2) Release button

#### To remove:

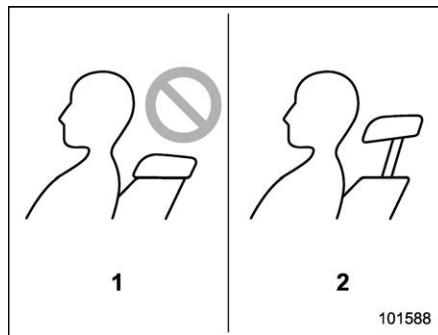
Press the release button, and pull out the head restraint.

#### To install:

Push the head restraint into the holes on the top of the seatback until it locks. Press and hold the release button to lower the head restraint.

After installing the head restraint, make sure it is securely locked.

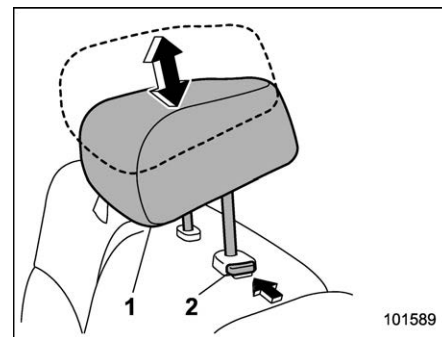
#### ▼ Center seating position



- 1) When not used (retracted position)
- 2) When used (extended position)

### ⚠ CAUTION

**The head restraint is not intended to be used in the retracted position. Before sitting in the seat, raise the head restraint to the extended position.**



- 1) Head restraint
- 2) Release button

#### To raise:

Pull the head restraint up.

#### To lower:

Press the release button then push the head restraint down.

#### To remove:

Press the release button, and pull out the head restraint.

#### To install:

Push the head restraint into the holes on the top of the seatback until it locks. Press and hold the release button to lower the head restraint.

When the rear center seating position is occupied, raise the head restraint to the

extended position. When it is not occupied, lower it to improve rearward visibility.

### **1-4. Seat heater (if equipped)**

The seat heater is equipped in the front seats or rear seats (window side seating position).

The seat heater operates when the ignition switch is either in the "ACC" or "ON" position.

### **■ Safety precautions**



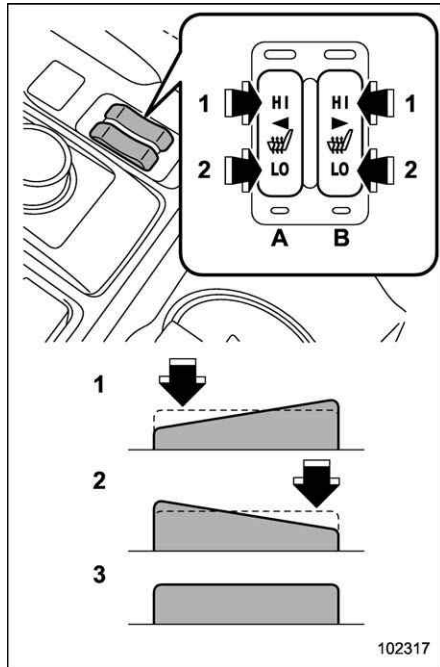
#### **CAUTION**

- **People with delicate skin may suffer slight burns even at low temperatures if they use the seat heater for a long period of time. When using the heater, always be sure to warn the persons concerned.**
- **Do not put anything on the seat which insulates against heat, such as a blanket, cushion, or similar items. This may cause the seat heater to overheat.**
- **When the seat is warmed enough or before you leave the vehicle, be sure to turn off the seat heater.**

#### **NOTE**

**Use of the seat heater for a long period of time while the engine is not running can cause battery discharge.**

■ Front seat heater



Front seats

- 1) HI – Rapid heating
- 2) LO – Normal heating
- 3) Off
- A) Left-hand side
- B) Right-hand side

To turn on the seat heater, push the “LO” or “HI” position on the switch, as desired, depending on the temperature. Selecting the “HI” position will cause the seat to heat up quicker.

To turn off the seat heater, lightly press the opposite side of the current position.

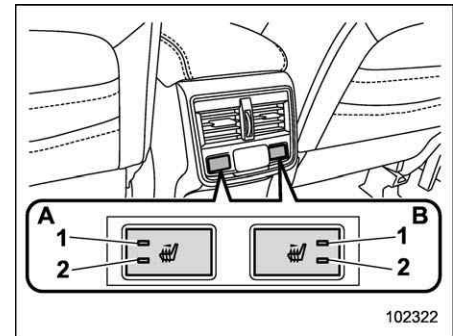
The indicator located on the switch illuminates when the seat heater is in operation.

■ Rear seat heater (if equipped)

**CAUTION**

**Do not open and close the center console lid while operating the rear seat heater switch. There is the risk of fingers being caught in the lid.**

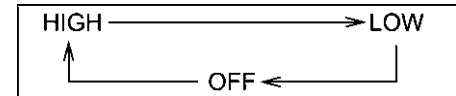
The seat heater operates when the ignition switch is in the “ON” position.



Rear seat heater switch

- 1) HIGH mode indicators
- 2) LOW mode indicators
- A) Left-hand side
- B) Right-hand side

Press the rear seat heater switch. Each time you press the switch, the mode will change as follows.



When LOW mode is selected, the LOW mode indicator on the rear seat heater switch illuminates. When HIGH mode is selected, both the LOW and HIGH mode indicators illuminate. When the OFF mode is selected, all the indicators turn off.

Seat, seatbelt and SRS airbags

Selecting “HIGH” mode will cause the seat to heat up quicker.

## NOTE

Only the front seat heater switches retain the previous switch position even if the vehicle has restarted. The rear seat heater switch will reset.

## 1-5. Seatbelts

### ■ Seatbelt safety tips

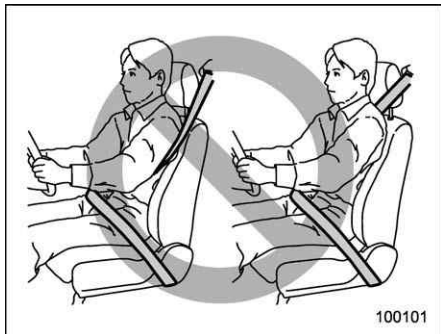


#### WARNING

- All persons in the vehicle should fasten their seatbelts **BEFORE** the vehicle starts to move. Otherwise, the possibility of serious injury becomes greater in the event of a sudden stop or accident.
- All belts should fit snugly in order to provide full restraint. Loose fitting belts are not as effective in preventing or reducing injury.
- Each seatbelt is designed to support only one person. Never use a single belt for two or more persons – even children. Otherwise, in an accident, serious injury or death could result.
- Replace all seatbelt assemblies including retractors and attaching hardware worn by occupants of a vehicle that has been in a serious accident. The entire assembly should be replaced even if damage is not obvious.

- Never use a belt that is twisted or reversed. In an accident, this can increase the risk or severity of injury.
- Keep the lap belt as low as possible on your hips. In a collision, this spreads the force of the lap belt over stronger hip bones instead of across the weaker abdomen.
- Seatbelts provide maximum restraint when the occupant sits well back and upright in the seat. To reduce the risk of sliding under the seatbelt in a collision, the front seatbacks should be always used in the upright position while the vehicle is running. If the front seatbacks are not used in the upright position in a collision, the risk of sliding under the lap belt and of the lap belt sliding up over the abdomen will increase, and both can result in serious internal injury or death.
- Do not put cushions or any other materials between occupants and seatbacks or seat cushions. If you do so, the risk of sliding under the lap belt and of the lap belt sliding up over the abdomen will increase, and both can result

in serious internal injury or death.



100101

### WARNING


Never place the shoulder belt under the arm or behind the back. If an accident occurs, this can increase the risk or severity of injury.

### CAUTION

Metallic parts of the seatbelt can become very hot in a vehicle that has been closed up in sunny weather; they could burn an occupant. Do not touch such hot parts until they cool.

Your vehicle is equipped with a crash sensing and diagnostic module, which will record the use of the seatbelt by the front passenger when any of the SRS frontal, side and curtain airbags deploy.

#### ▼ Infants or small children

Use a child restraint system that is suitable for your vehicle. Refer to “Child restraint systems”  P62.


#### ▼ Children

### WARNING

Place children in the rear seat properly restrained at all times. The SRS airbag deploys with considerable speed and force and can injure or even kill children, especially if they are not restrained or improperly restrained. Because children are lighter and weaker than adults, their risk of being injured from deployment is greater. For that reason, we strongly recommend that ALL children (including those in child restraint systems and those that have outgrown child restraint devices) sit in the REAR seat properly restrained at all times in a child restraint system or in a seatbelt, whichever is appropriate for the child’s height and weight.

Secure ALL types of child restraint devices (including forward facing child restraint systems) in the REAR seats at all times.

**NEVER INSTALL A CHILD RESTRAINT SYSTEM IN THE FRONT SEAT. DOING SO RISKS SERIOUS INJURY OR DEATH TO THE CHILD BY PLACING THE CHILD’S HEAD TOO CLOSE TO THE SRS AIRBAG.**

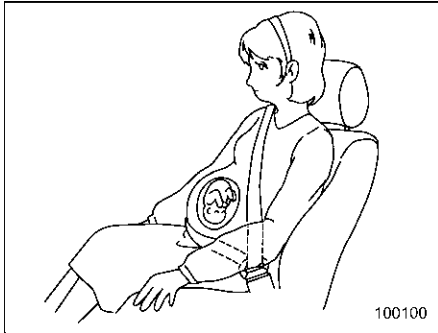
According to accident statistics, children are safer when properly restrained in the rear seating positions than in the front seating positions. For instructions and precautions concerning the child restraint system, refer to “Child restraint systems”  P62.

If a child is too big for a child restraint system, the child should sit in the rear seat and be restrained using the seatbelts. According to accident statistics, children are safer when properly restrained in the rear seating positions than in the front seating positions. Never allow a child to stand up or kneel on the seat.

If the shoulder portion of the belt crosses the face or neck, move the child closer to the belt buckle to help provide a good shoulder belt fit. Care must be taken to

securely place the lap belt as low as possible on the hips and not on the child's waist. If the shoulder portion of the belt cannot be properly positioned, a child restraint system should be used. Never place the shoulder belt under the child's arm or behind the child's back.

#### ▼ Expectant mothers



Expectant mothers also need to use the seatbelts. They should consult their doctor for specific recommendations. The lap belt should be worn securely and as low as possible over the hips, not over the waist.

### ■ Emergency Locking Retractor (ELR)

The driver's seatbelt has an Emergency Locking Retractor (ELR).

The emergency locking retractor allows normal body movement but the retractor locks automatically during a sudden stop, impact or if you pull the belt very quickly out of the retractor.

### ■ Automatic Locking Retractor/ Emergency Locking Retractor (ALR/ELR)

Each passenger's seatbelt has an Automatic Locking Retractor/Emergency Locking Retractor (ALR/ELR). The Automatic Locking Retractor/Emergency Locking Retractor normally functions as an Emergency Locking Retractor (ELR). The ALR/ELR has an additional locking mode "Automatic Locking Retractor (ALR) mode" intended to secure a child restraint system. When the seatbelt is once drawn out completely and is then retracted even slightly, the retractor locks the seatbelt in that position and the seatbelt cannot be extended. As the belt is rewinding, clicks will be heard which indicate the retractor functions as an ALR. When the seatbelt is retracted fully, the ALR mode is released.

When securing a child restraint system on the rear seats by the use of the seatbelt, the seatbelt must be changed over to the Automatic Locking Retractor (ALR) mode.

When the child restraint system is removed, make sure that the seatbelt retracts fully and the retractor returned to the Emergency Locking Retractor (ELR) mode.

For instructions on how to convert the retractor to the ALR mode and restore it to the ELR mode, refer to "Installing child restraint systems with ALR/ELR seatbelt" P67.

### ■ Seatbelt warning light and chime



Refer to "Seatbelt warning light and chime" P169.

### ■ Fastening the seatbelt

#### ▼ Front seatbelts

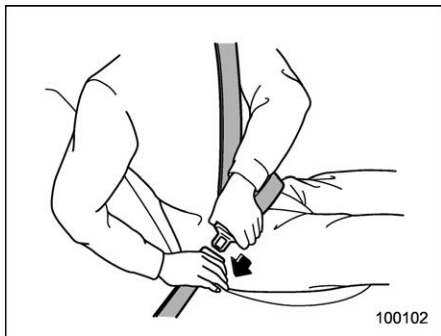
1. Adjust the seat position according to the following procedure.

**Driver's seat:** Adjust the seatback to the upright position. Move the seat as far from the steering wheel as practical while still maintaining full vehicle control.

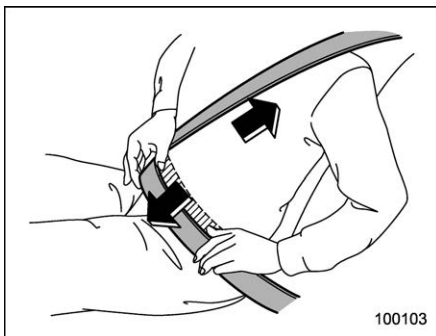


**Front passenger's seat:** Adjust the seat back to the upright position. Move the seat as far back as possible.

2. Sit well back in the seat.
3. Pick up the tongue plate and pull the belt out slowly. Do not let it get twisted.
  - If the belt stops before reaching the buckle, return the belt slightly and pull it out more slowly.
  - If the belt still cannot be unlocked, let the belt retract slightly after giving it a strong pull, then pull it out slowly again.

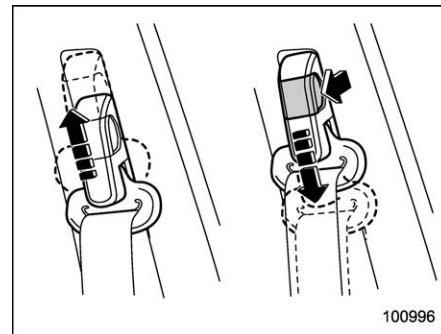


4. Insert the tongue plate into the buckle until you hear a click.



5. To tighten the lap part, pull up on the shoulder belt.
6. Place the lap belt as low as possible on the hips, not on the waist.

### ▽ Adjusting the front seat shoulder belt anchor height



The shoulder belt anchor height should be adjusted to the position best suited for the driver/front passenger. Always adjust the anchor height so that the shoulder belt passes over the middle of the shoulder without touching the neck.

#### To raise:

Slide the anchor up.

#### To lower:

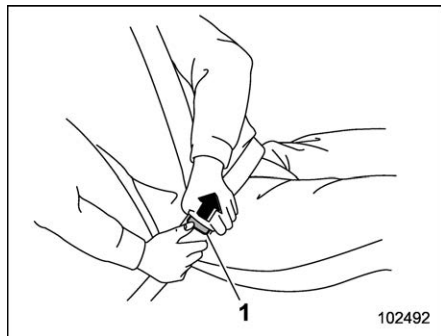
Pull the release knob and slide the anchor down.

Pull down the anchor to make sure that it is locked in place.

**WARNING**

When wearing the seatbelts, make sure the shoulder portion of the webbing does not pass over your neck. If it does, adjust the seatbelt anchor to a lower position. Placing the shoulder belt over the neck may result in neck injury during sudden braking or in a collision.

## ▽ Unfastening the seatbelt



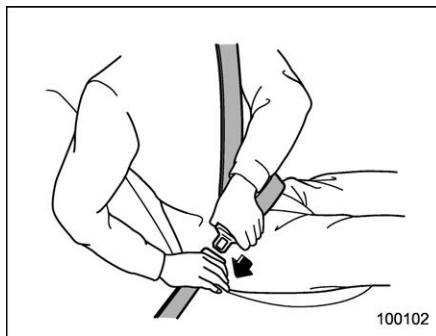
1) Button

1. Push the button on the buckle.
2. Retract the seatbelt slowly to prevent it from getting tangled or twisted.

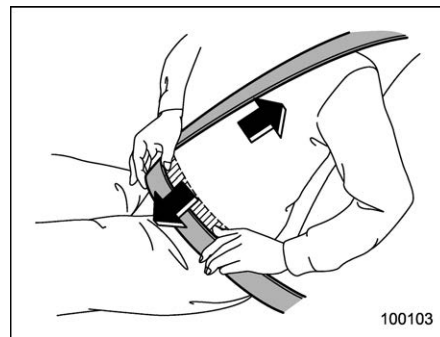
Before closing the door, make sure that the belts are retracted properly to avoid catching the belt webbing in the door.

## ▼ Rear seatbelts (except rear center seatbelt)

1. Sit well back in the seat.
2. Pick up the tongue plate and pull the belt out slowly. Do not let it get twisted.
  - If the belt stops before reaching the buckle, return the belt slightly and pull it out more slowly.
  - If the belt still cannot be unlocked, let the belt retract slightly after giving it a strong pull, then pull it out slowly again.

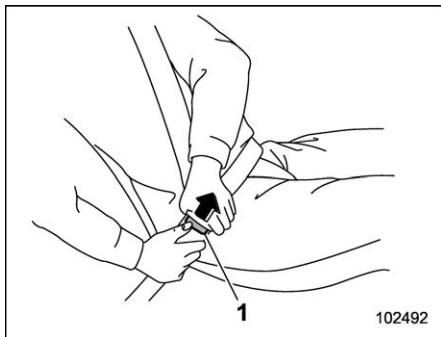


3. Insert the tongue plate into the buckle until you hear a click.



4. To tighten the lap part, pull up on the shoulder belt.
5. Place the lap belt as low as possible on the hips, not on the waist.

▽ Unfastening the seatbelt

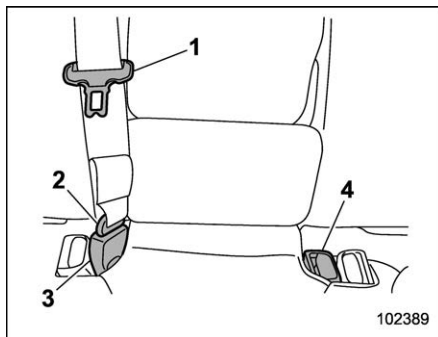


1) Button

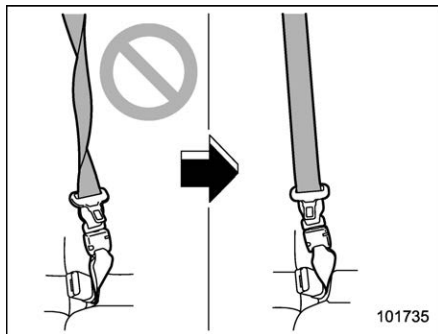
1. Push the button on the buckle.
2. Retract the seatbelt slowly to prevent it from getting tangled or twisted.

Before closing the door, make sure that the belts are retracted properly to avoid catching the belt webbing in the door.

▼ Rear center seatbelt

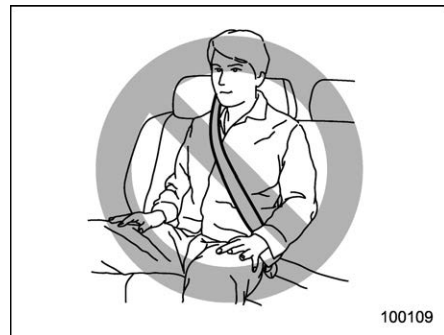


- 1) Center seatbelt tongue plate
- 2) Anchor tongue plate
- 3) Anchor buckle
- 4) Center seatbelt buckle



**⚠ WARNING**

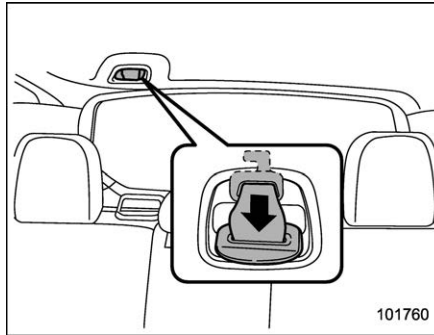
Fastening the seatbelt with the webbing twisted can increase the risk or severity of injury in an accident. When fastening the belt after it is pulled out from the retractor, especially when inserting the anchor tongue plate into the mating buckle (on right-hand side), always check that the webbing is not twisted.



Seat, seatbelt and SRS airbags

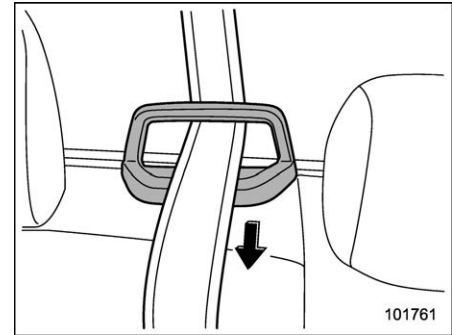
**⚠ WARNING**

- Be sure to fasten both tongue plates to the respective buckles. If the seatbelt is used only as a shoulder belt (with the anchor tongue plate not fastened to the connector's buckle on the right-hand side), it cannot properly restrain the wearer in position in an accident, possibly resulting in serious injury or death.
- The head restraint is not intended to be used at the lowest position. Before sitting on the seat, raise the head restraint to the extended position. Otherwise, in an accident, serious injury or death could result.

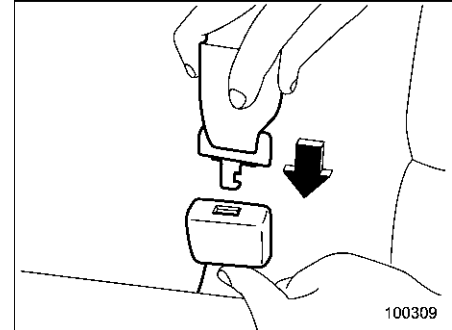


Rear center seatbelt is stowed in the recess of the ceiling.

1. Retrieve the anchor tongue plate from the slot in the recess by pulling the anchor tongue plate, then pull out the seatbelt slowly.



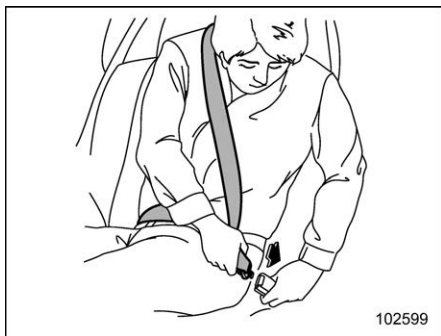
2. Pass the seatbelt through the belt guide.



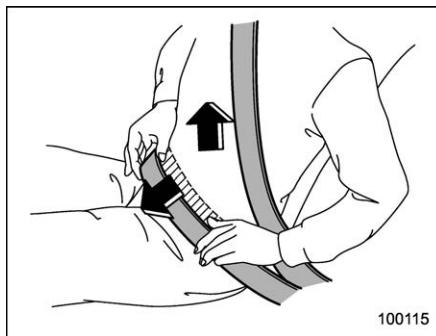
3. After confirming that the webbing is not twisted, insert the anchor tongue plate attached at the webbing end into the buckle on the right-hand side until a click

sounds.

- If the belt stops before reaching the buckle, return the belt slightly and pull it out more slowly.
- If the belt still cannot be unlocked, give it a strong pull and let it retract slightly, then pull it out slowly again.

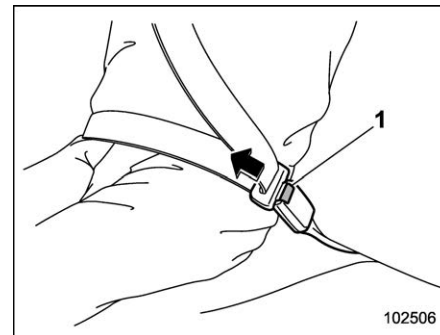


4. Insert the center seatbelt tongue plate into the center seatbelt buckle marked "CENTER" on the left-hand side until it clicks.



5. To tighten the lap part, pull up on the shoulder belt.
6. Place the lap belt as low as possible on the hips, not on the waist.

### ▽ Unfastening the seatbelt

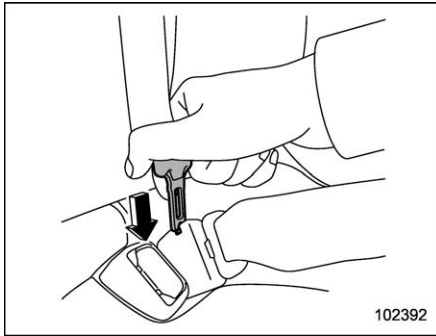


- 1) Button

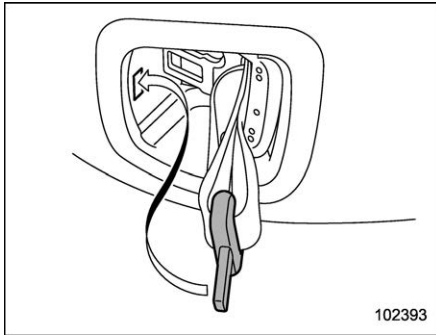
1. Push the release button of the center seatbelt buckle (on the left-hand side) to unfasten the seatbelt.

### NOTE

**When the seatback is folded down, it is necessary to disconnect the connector.**

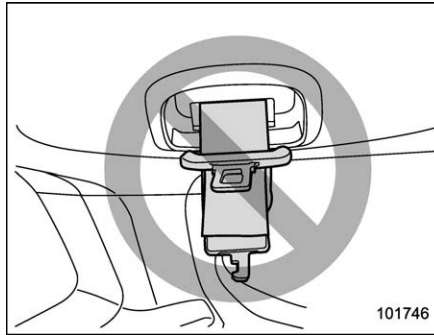


2. Insert a tongue plate or other hard pointed object into the slot in the anchor buckle on the right-hand side and push it in. The anchor tongue plate will then disconnect from the buckle.



3. With the belt held by hand, allow the

retractor to roll up the belt slowly. You should hold the webbing end and guide it back into the retractor while it is rolling up. Neatly store the tongue plate in the recess on the ceiling and then insert the anchor tongue plate into the slot located at the front of the recess.



### CAUTION

- Do not allow the retractor to roll up the seatbelt too quickly. Otherwise, the metal tongue plates may hit against the trim, resulting in damaged trim.
- Have the seatbelt fully rolled up so that the tongue plates are neatly stored. A hanging tongue plate can swing and hit against

the trim during driving, causing damage to the trim.

## ■ Seatbelt maintenance

To clean the seatbelts, use a mild soap and lukewarm water. Never bleach or dye the belts because this could seriously affect their strength.

Inspect the seatbelts and attachments including the webbing and all hardware periodically for cracks, cuts, gashes, tears, damage, loose bolts or worn areas. Replace the seatbelts even if only minor damage is found.

### CAUTION

- Keep the belts free of polishes, oils, chemicals and particularly battery acid.
- Never attempt to make modifications or changes that will prevent the seatbelt from operating properly.

## 1-6. Seatbelt pretensioners

The following seatbelts have a seatbelt pretensioner.

- Driver's seatbelt
- Front passenger's seatbelt
- Rear passenger's seatbelt (window-side)

The seatbelt pretensioners are designed to be activated in the event of an accident involving a moderate to severe frontal and side collision and rollover accident.

### WARNING

- To obtain maximum protection, the occupants should sit in an upright position with their seatbelts properly fastened. Refer to "Seatbelts" P50.
- Do not modify, remove or strike the seatbelt retractor assemblies equipped with seatbelt pretensioners or surrounding area. This could result in accidental activation of the seatbelt pretensioners or could make the system inoperative, possibly resulting in serious injury. Seatbelt pretensioners have no user-serviceable parts. For required servicing of

seatbelt retractors equipped with seatbelt pretensioners, consult your SUBARU dealer.

- When discarding seatbelt retractor assemblies equipped with seatbelt pretensioners or scrapping the entire vehicle due to collision damage or for other reasons, consult your SUBARU dealer.

### NOTE

- Seatbelt pretensioners are not designed to activate in minor impacts or in rear impacts.
- Pretensioners are designed to function on a one-time-only basis. In the event that a pretensioner is activated, both the driver's and front passenger's seatbelt retractor assemblies should be replaced only by an authorized SUBARU dealer. When replacing seatbelt retractor assemblies, use only genuine SUBARU parts.
- If a seatbelt that has a seatbelt pretensioner does not retract or cannot be pulled out due to a malfunction or activation of the pretensioner, contact your SUBARU dealer as soon as possible.
- If the seatbelt retractor assembly or

surrounding area has been damaged, contact your SUBARU dealer as soon as possible.

- When you sell your vehicle, we urge you to inform the buyer that the vehicle is equipped with seatbelt pretensioners. Also, notify the buyer of the contents in this section.

### ■ Seatbelt with shoulder belt pretensioner

#### NOTE

This section is applicable to the following components.

- Rear passenger's seatbelt (window-side)



The pretensioner sensor also serves as follows.

- SRS frontal impact sensor
- Side impact sensor
- Rollover sensor

If the sensor detects a certain predetermined amount of force during frontal or side collisions or rollover accidents, any seatbelt that has a seatbelt pretensioner is quickly drawn back in by the retractor to take up the slack so that the belt more effectively restrains the seat occupant.

The rear passenger's seatbelt (window-side) pretensioner includes a tension reducing device which limits the peak forces exerted by the seatbelt on the occupant in the event of a collision.

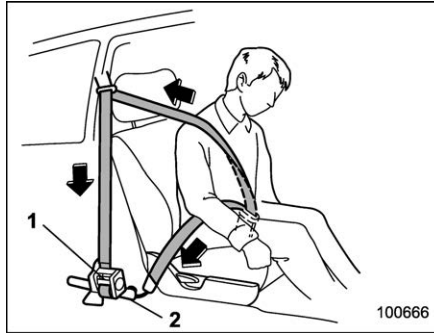
When a seatbelt pretensioner is activated, an operating noise will be heard and a small amount of smoke will be released. These occurrences are normal and not harmful. This smoke does not indicate a fire in the vehicle.

Once the seatbelt pretensioner has been activated, the seatbelt retractor remains locked. Consequently, the seatbelt can not be pulled out and retracted and therefore must be replaced.

## ■ Seatbelt with shoulder belt and lap belt pretensioners

### NOTE

This section is applicable to the front seatbelt.



- 1) Seatbelt retractor assembly (shoulder belt pretensioner and adaptive force limiter)
- 2) Lap belt pretensioner

The shoulder belt pretensioner is supplemented by a lap belt pretensioner, which is located at the base of the center pillar. Like the shoulder belt pretensioner, the lap belt pretensioner instantaneously pulls in the belt to eliminate slack if a certain level of frontal collision force is detected. As a result, the seatbelt restrains the front seat occupant more effectively.

The front seatbelt pretensioner includes a tension reducing device which limits the peak forces exerted by the seatbelt on the occupant in the event of a collision.

The adaptive force limiter will select a reducing load to the suit body size of occupant as detected by the occupant detection system sensors.

When a seatbelt pretensioner is activated, an operating noise will be heard and a small amount of smoke will be released. These occurrences are normal and not harmful. This smoke does not indicate a fire in the vehicle.

Once the seatbelt pretensioner has been activated, the seatbelt pretensioner remains locked. Consequently, the seatbelt cannot be pulled out and retracted and therefore must be replaced.

## ■ System monitors

A diagnostic system continually monitors the readiness of the seatbelt pretensioner with the ignition switch in the "ON" position. The seatbelt pretensioners share the control module with the SRS airbag system. Therefore, if any malfunction occurs in a seatbelt pretensioner, the SRS airbag system warning light will illuminate. For details, refer to "SRS airbag system monitors" P106.



## ■ System servicing

### WARNING

- When discarding a seatbelt retractor assembly or scrapping the entire vehicle damaged by a collision, consult your SUBARU dealer.
- Tampering with or disconnecting the system's wiring could result in accidental activation of the seatbelt pretensioner and/or SRS airbag or could make the system inoperative, which may result in serious injury. Do not use electrical test equipment on any circuit related to the seatbelt pretensioner and SRS airbag systems. For required servicing of the seatbelt pretensioner, consult your nearest SUBARU dealer.

### CAUTION

For the locations of the sensors and control modules, refer to "Components" P85.

If you need service or repair in those areas or near the front seatbelt

retractors, have the work performed by your authorized SUBARU dealer.

### NOTE

If the front or side part of the vehicle is damaged in an accident to the extent that the seatbelt pretensioner does not operate, contact your SUBARU dealer as soon as possible.

## ■ Precautions against vehicle modification

Always consult your SUBARU dealer if you want to install any accessory parts to your vehicle.

### CAUTION

Do not perform any of the following modifications. Such modifications can interfere with proper operation of the seatbelt pretensioners.

- Attachment of any equipment (bush bar, winches, snow plow, skid plate, etc.) other than genuine SUBARU accessory parts to the front end.
- Modification of the suspension system or front end structure.

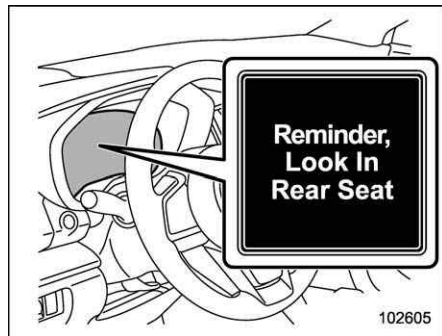
- Installation of a tire of different size and construction from the tires specified on the vehicle placard attached to the driver's door pillar or specified for individual vehicle models in this Owner's Manual.

## 1-7. Rear Seat Reminder (models with combination meter display (color LCD))

This function prompts the driver to confirm the presence of passengers and cargo in the rear.

This function will be activated when the rear doors are opened and closed.

It alerts the driver by warning messages on the combination meter display (color LCD) and beeps when the ignition switch is in the "OFF" position.



### NOTE

- This function does not directly detect passengers and cargo in the rear seat.

- This function detects the opening and closing of the rear doors. In this situation, there is the possibility that the following phenomenon may occur.

- It may alert the driver even if there are no passengers or cargo in the rear seat.

- It may not alert the driver even if there are passengers and cargo in the rear seat.

- This function can be turned ON/OFF using the meter customizing function. Refer to "Function settings and adjustments on the combination meter display (color LCD)" P26.

- The ON/OFF setting will not be changed even if the ignition switch is turned to the "OFF" position.

- The ON/OFF setting will be returned to the default setting if the battery is removed.

## 1-8. Child restraint systems

### ■ Safety precautions



Infants and small children should always be placed in an infant or child restraint system in the rear seat while riding in the vehicle.

You should use an infant or child restraint system that meets Federal Motor Vehicle Safety Standards or Canada Motor Vehicle Safety Standards, is compatible with your vehicle and is appropriate for the child's age and size.

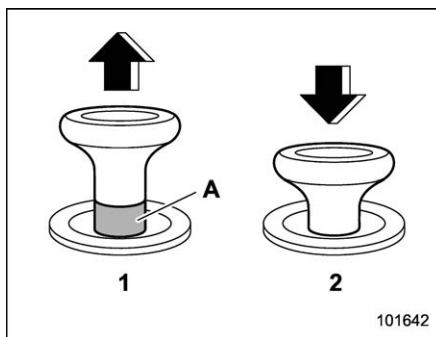
All child restraint systems are designed to be secured in vehicle seats by lap belts or the lap belt portion of a lap/shoulder belt (except those described in "Installation of child restraint systems by use of lower and

tether anchorages (LATCH)<sup>®</sup> P73).

Children could be endangered in an accident if their child restraint systems are not properly secured in the vehicle. When installing the child restraint system, carefully follow the manufacturer's instructions.

According to accident statistics, children are safer when properly restrained in the rear seating positions than in the front seating positions.

All U.S. states and Canadian provinces require that infants and small children be restrained in an approved child restraint system at all times while the vehicle is moving.

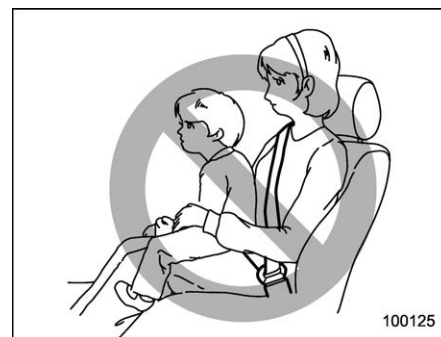


Lock release knob

- 1) Unlocked
- 2) Locked
- A) Unlocking marker in red

**⚠ WARNING**

- Before installing a child restraint system, be sure to confirm that the seatback is securely locked into place. Otherwise, in an accident, serious injury or death could result.
- Do not leave children in the car unattended. High interior temperatures may cause heat stroke and dehydration that result in serious injury or death.

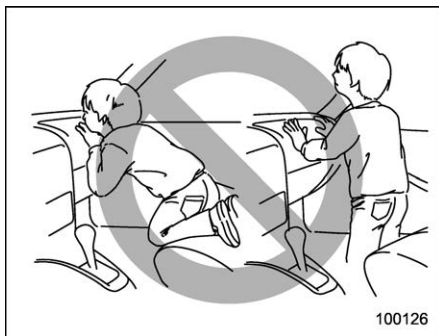


**⚠ WARNING**

Never let a passenger hold a child on his or her lap or in his or her arms while the vehicle is moving. The passenger cannot protect the child from injury in a collision, because the child will be caught between the passenger and objects inside the vehicle.

Additionally, holding a child in your lap or arms in the front seat exposes that child to another serious danger. Since the SRS airbag deploys with considerable speed and force, the child could be injured or even killed.

Seat, seatbelt and SRS airbags



**⚠ WARNING**

Children should be properly restrained at all times. Never allow a child to stand up, or to kneel on any seat. Unrestrained children will be thrown forward during sudden stop or in an accident and can be injured seriously.

Additionally, children standing up or kneeling on or in front of the front seat are exposed another serious danger. Since the SRS airbag deploys with considerable speed and force, the child could be injured or even killed.

**■ Safety tips for installing child restraint systems**

**⚠ WARNING**

- Do not use a seatbelt extender. If a seatbelt extender is used when installing a child restraint system, the seatbelt will not securely hold the child restraint system. Use of a seatbelt extender could cause death or serious injury to children or other passengers in sudden braking, swerving, or accidents.
- Attach the child restraint system to the anchors properly. When using the LATCH anchors, be sure that there are no foreign objects around the anchors. Make sure the child restraint system is securely attached. Otherwise it may cause death or serious injury to children or other passengers in sudden braking, swerving, or accidents.
- Child restraint systems and seatbelts can become hot in a vehicle that has been closed up in sunny weather; they could burn a small child. Check the child restraint system before you place a child

in it.

- Do not leave an unsecured child restraint system in your vehicle. Unsecured child restraint systems can be thrown around inside of the vehicle in a sudden stop, turn or accident; they can strike and injure vehicle occupants as well as result in serious injuries or death to the child.

**⚠ CAUTION**

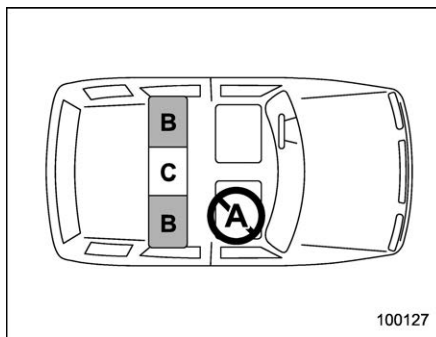
When you install a child restraint system, follow the manufacturer's instructions supplied with it. After installing the child restraint system, check to ensure that it is held securely in position. If it is not held tight and secure, the danger of your child suffering personal injury in the event of an accident may be increased.

## ■ Where to place a child restraint system

The following descriptions are SUBARU's recommendations on where to place a child restraint system in your vehicle.

### WARNING

- Several types of child restraint systems may conceal the buckle of the neighboring seat. If the occupant of the neighboring seat cannot correctly fasten the seatbelt, that person must move to a different seat. If the seatbelt cannot be correctly fastened, there is the risk of serious injury or death in the event of sudden braking or a collision.
- If the child restraint system cannot be correctly installed because it contacts the driver's seat, move the child restraint system to a different seat. If it cannot be installed in a different seat (other than the driver's seat), adjust the front seat so that contact does not occur.



#### **A: Front passenger's seat**

You should not install a child restraint system (including a booster seat) due to the hazard to children posed by the passenger's airbag.

#### **B: Rear seat, window-side seating positions**

Recommended positions for all types of child restraint systems.

In these positions, the following equipment is provided for installing a child restraint system.

- Automatic Locking Retractor/Emergency Locking Retractor (ALR/ELR) seatbelts
- Lower anchorages (bars)
- Upper anchorages (tether anchorages)

Some types of child restraint systems might not be able to be secured firmly due to projection of the seat cushion.

In this seating position, you should use only a child restraint system that has a bottom base that fits snugly against the contours of the seat cushion and can be securely retained using the seatbelt.

#### **C: Rear seat, center seating position**

In this position, the following equipment is provided for installing a child restraint system.

- ALR/ELR seatbelts
- Lower anchorages (bars)
- Top tether anchorages

Some types of child restraint systems might not be able to be secured firmly due to projection of the seat cushion.

In this seating position, you should use only a child restraint system that has a bottom base that fits snugly against the contours of the seat cushion and can be securely retained using the seatbelt.

The rear center seat includes lower anchorages, and the lower anchorages on the center side of the rear right seat can be used to install a child restraint system.

When a child restraint system is installed in the rear center seat using the lower anchorages, do not sit in the rear right

seat.

If a child restraint system is not correctly fixed in place (for example, if a child restraint system can be moved more than 1 inch (2.5 cm) from side to side), the child restraint system should be moved to a window seat position of the rear seat.

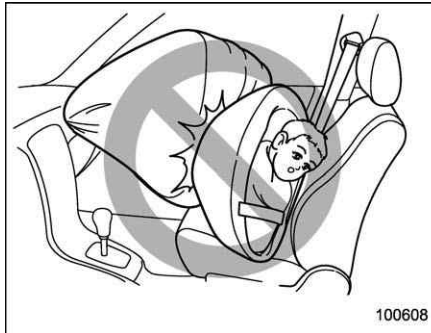
**WARNING**

- Even with advanced airbags, children can be seriously injured by the airbag. Seat children in the rear seat properly restrained at all times. The SRS airbag deploys with considerable speed and force and can injure or even kill children, especially if they are not restrained or improperly restrained. Because children are lighter and weaker than adults, their risk of being injured from deployment is greater.

For that reason, be sure to secure ALL types of child restraint systems (including forward facing child restraint systems) in the REAR seats at all times. You should choose a restraint system which is appropriate for the child's age, height and weight. According to accident statistics,

children are safer when properly restrained in the rear seating positions than in the front seating positions.

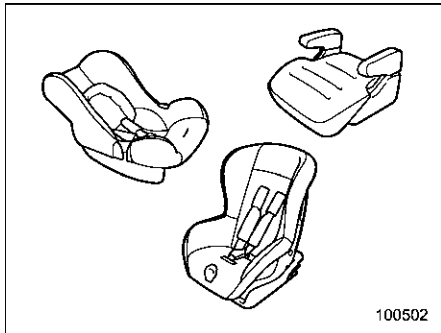
- Do not use lower anchorages (bars) for a seat in the center seating position unless a child restraint system manufacturer's instructions permit and specify using anchors spaced as far apart as those in this vehicle.
- Do not connect two or more lower hooks onto the same anchorage (bar).



**WARNING**

- SINCE YOUR VEHICLE IS EQUIPPED WITH A PASSENGER'S SRS AIRBAG, NEVER INSTALL A CHILD RESTRAINT SYSTEM IN THE FRONT PASSENGER'S SEAT. DOING SO RISKS SERIOUS INJURY OR DEATH TO THE CHILD BY PLACING THE CHILD'S HEAD TOO CLOSE TO THE SRS AIRBAG.
- Do not allow children to lean their heads or any other parts of their bodies against the door or the area of the seat, front and rear pillars or roof side rails. The SRS side airbags and SRS curtain airbags deploy even if children are seated in the child restraint system, and the impact could cause death or serious injury to the child.
- To secure the child restraint system, be sure to comply with all installation instructions provided by the child restraint system manufacturer. Not doing so could result in death or serious injury to children in a sudden stop or accident.

## ■ Choosing a child restraint system



100502

Choose a child restraint system that is appropriate for the child's age and size (weight and height) in order to provide the child with proper protection. The child restraint system should meet all applicable requirements of Federal Motor Vehicle Safety Standards for the United States or of Canada Motor Vehicle Safety Standards for Canada. It can be identified by looking for the label on the child restraint system or the manufacturer's statement of compliance in the document attached to the system.

Also it is important for you to make sure that the child restraint system is compatible with the vehicle in which it will be used.

### NOTE

Some sizes of child restraint systems may not fit the vehicle seat. Before purchasing a child restraint system, check whether it fits on the vehicle seat.

## ■ Installing child restraint systems with ALR/ELR seatbelt

### ⚠ CAUTION

- When you install a child restraint system, follow the manufacturer's instructions supplied with it. After installing the child restraint system, check to ensure that it is held securely in position. If it is not held tight and secure, the danger of your child suffering personal injury in the event of an accident may be increased.
- When installing a child restraint system in the rear center seating position, set both seatbacks to the original position. Otherwise, the child restraint system cannot be securely restrained, which

may result in death or serious injuries in the event of sudden stop, sudden steering maneuver or an accident.

### ▼ Installing a rearward facing child restraint system

### ⚠ WARNING

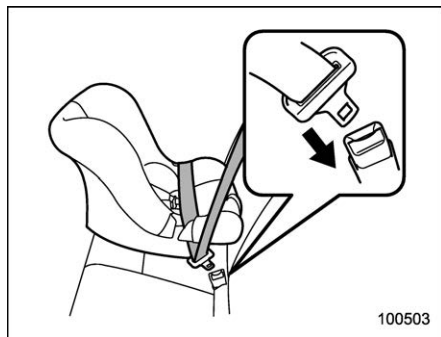
- NEVER INSTALL A CHILD RESTRAINT SYSTEM IN THE FRONT PASSENGER'S SEAT. DOING SO RISKS SERIOUS INJURY OR DEATH TO THE CHILD BY PLACING THE CHILD'S HEAD TOO CLOSE TO THE SRS AIRBAG.
- Before installing a child restraint system, be sure to confirm that the seatback is securely locked into place. Otherwise, in an accident, serious injury or death could result.

1. Place the child restraint system in the rear seating position.

### ⚠ WARNING

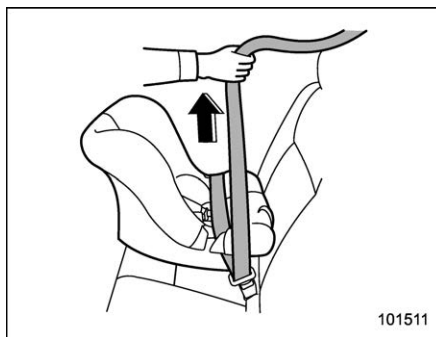
When you intend to install a child restraint system in the rear center seating position, if the child restraint

system does not fit snugly against the contours of the rear center seat cushion, install the child restraint system in the window-side seating position to be safe. For details, refer to “Where to place a child restraint system” P65.

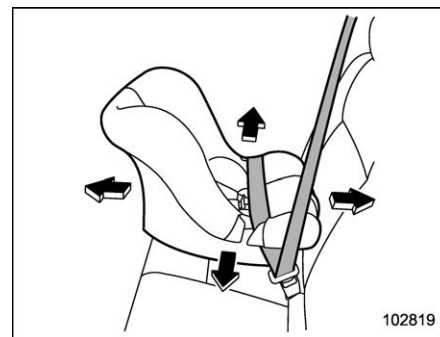


2. Run the lap and shoulder belt through or around the child restraint system following the instructions provided by its manufacturer.

3. Insert the tongue plate into the buckle until you hear a click.

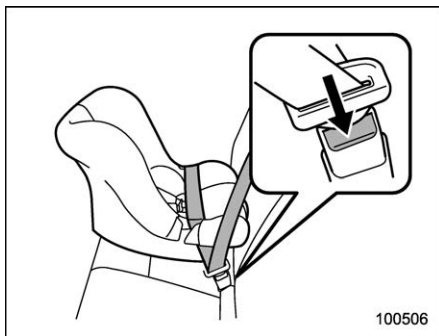


4. Take up the slack in the lap belt.
5. If using the seatbelt in the ALR mode is recommended by the manufacturer's instructions supplied with the child restraint system, perform the following procedure.
- (1) Pull out the seatbelt fully from the retractor to change the retractor over from the Emergency Locking Retractor (ELR) to the Automatic Locking Retractor (ALR) mode.
  - (2) Allow the belt to rewind into the retractor. As the belt is rewinding, clicks will be heard which indicate the retractor functions as ALR.



6. Before having a child sit in the child restraint system, try to move it back and forth and right and left to check if it is firmly secured. Sometimes a child restraint system can be more firmly secured by pushing it down into the seat cushion and then tightening the seatbelt. It should not be possible to move the child restraint system more than 1 in (2.5 cm) in any direction along the seatbelt path.
7. If the seatbelt has been set to the ALR mode in step 5, pull at the shoulder portion of the belt to confirm that it cannot be pulled out (ALR properly functioning).





100506

8. To remove the child restraint system, press the release button on the seatbelt buckle and allow the belt to retract completely. The belt will return to the ELR mode.

## NOTE

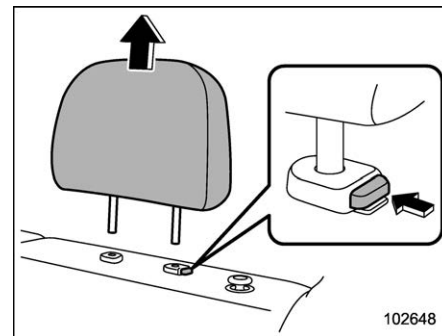
When the child restraint system is no longer in use, remove it and restore the ELR function of the retractor. That function is restored by allowing the seatbelt to retract fully.

### ▼ Installing a forward facing child restraint system

#### ⚠ WARNING

- **NEVER INSTALL A CHILD RESTRAINT SYSTEM IN THE FRONT PASSENGER'S SEAT. DOING SO RISKS SERIOUS INJURY OR DEATH TO THE CHILD BY PLACING THE CHILD'S HEAD TOO CLOSE TO THE SRS AIRBAG.**
- **Before installing a child restraint system, be sure to confirm that the seatback is securely locked into place. Otherwise, in an accident, serious injury or death could result.**

1. Place the child restraint system in the rear seating position.
2. For models with rear seat reclining mechanism, if there is a gap between the child restraint system and the seatback, adjust the seatback angle until good contact is achieved.



102648

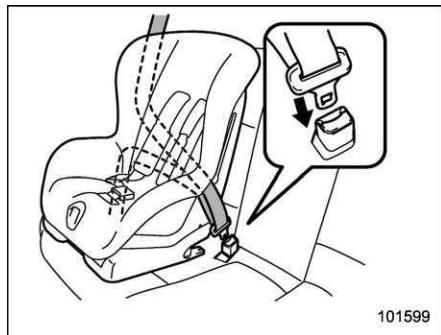
3. Remove the head restraint of the rear seating position where the child restraint system is to be installed. For details, refer to "Head restraints" P45.

#### ⚠ CAUTION

**Store the head restraint that has been removed in the cargo area. Do not place the head restraint in the passenger compartment to prevent it from being thrown around in the passenger compartment in a sudden stop or a sharp turn.**

**⚠ WARNING**

When you intend to install a child restraint system on the rear center seating position, if the child restraint system does not fit snugly against the contours of the rear center seat cushion, install the child restraint system on the window-side seating position to be safe. For details, refer to “Where to place a child restraint system” P65.

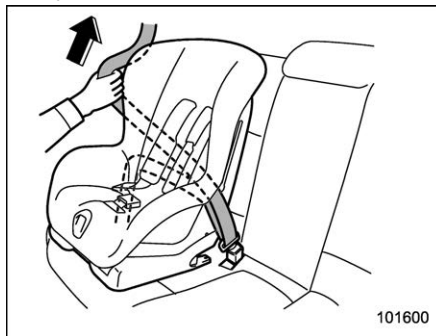


4. Run the lap and shoulder belt through or around the child restraint system following the instructions provided by its manufacturer.

- When a child restraint system is installed on the rear center seating

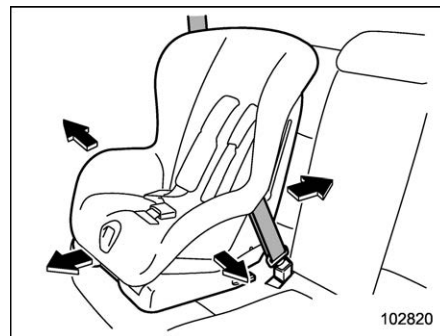
position, pass the rear center seatbelt through the belt guide properly. For details, refer to “Rear center seatbelt” P55.

5. Insert the tongue plate into the buckle until you hear a click.



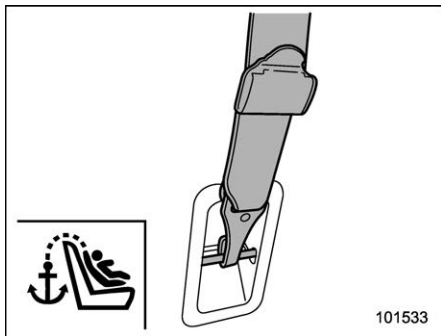
6. Take up the slack in the lap belt.

7. Pull out the seatbelt fully from the retractor to change the retractor over from the Emergency Locking Retractor (ELR) to the Automatic Locking Retractor (ALR) function. Then, allow the belt to rewind into the retractor. As the belt is rewinding, clicks will be heard which indicate the retractor functions as ALR.



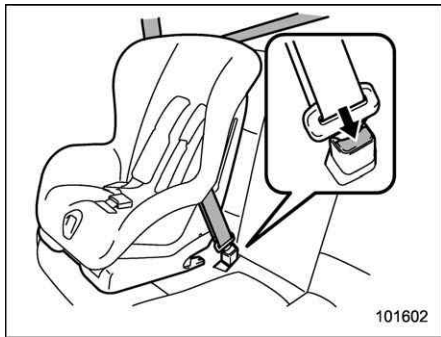
8. Before having a child sit in the child restraint system, try to move it back and forth and right and left to check if it is firmly secured. Sometimes a child restraint system can be more firmly secured by pushing it down into the seat cushion and then tightening the seatbelt. It should not be possible to move the child restraint system more than 1 in (2.5 cm) in any direction along the seatbelt path.

9. Pull at the shoulder portion of the belt to confirm that it cannot be pulled out (ALR properly functioning).



101533

10. Latch the top tether hook onto the tether anchorage that is located behind the rear seat and tighten the top tether firmly. For additional instructions, refer to "Top tether anchorages" P77.



101602

11. To remove the child restraint system,

press the release button on the seatbelt buckle and allow the belt to retract completely. The belt will return to the ELR mode.

Remember that the head restraint is not intended to be used at the lowest position (retracted position). Therefore, when the rear center seat is occupied (including when a child restraint system is installed) next time, be sure to raise the head restraint to the extended position.

**NOTE**

**When the child restraint system is no longer in use, remove it and restore the ELR function of the retractor. That function is restored by allowing the seatbelt to retract fully.**

**■ Installing a booster seat or booster cushion**



102710

Booster seat



102711

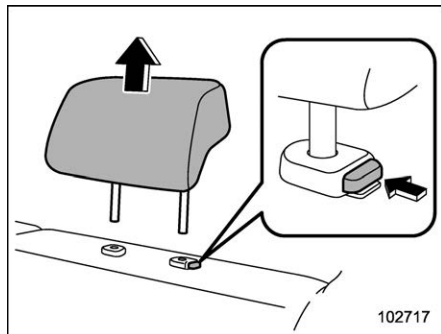
Booster cushion

1. For models with rear seat reclining

mechanism, if there is a gap between the booster seat/cushion and the seatback, adjust the seatback angle until good contact is achieved.

2. Adjust the head restraint as follows.

For booster seat:

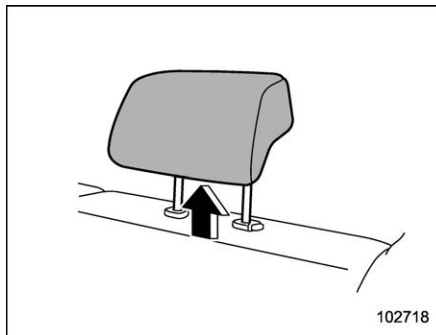


- (1) Remove the head restraint from the rear seating position where the child restraint system is to be installed.
- (2) Store the removed head restraint in the cargo area.

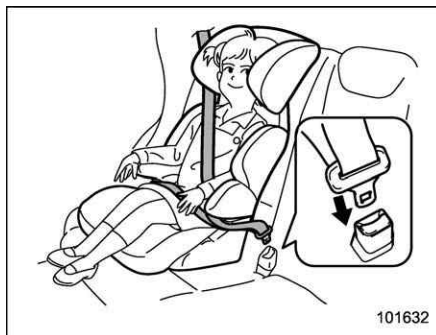
**CAUTION**

**Do not place the head restraint in the passenger compartment to prevent it from being thrown around in the passenger compartment in a sudden stop or a sharp turn.**

For booster cushion:



- (1) Raise the head restraint to the extended position (center seat). Do not remove the head restraint.



3. Place the booster seat/cushion in the

rear seating position and sit the child on it. The child should sit well back on the booster seat/cushion.

4. Run the lap and shoulder belt through or around the booster seat/cushion and the child following the instructions provided by its manufacturer. For booster seat/cushion with a belt guide, use the seatbelt through the belt guide.

5. Insert the tongue plate into the buckle until you hear a click. Take care not to twist the seatbelt.

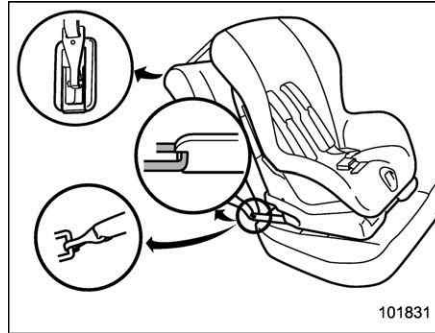
Make sure the shoulder belt is positioned across the center of child's shoulder and that the lap belt is positioned as low as possible on the child's hips.



6. To remove the booster seat/cushion, press the release button on the seatbelt buckle and allow the belt to retract.

**WARNING**

- Never use a belt that is twisted or reversed. In an accident, this can increase the risk or severity of injury to the child.
- Never place the shoulder belt under the child's arm or behind the child's back. If an accident occurs, this can increase the risk or severity of injury to the child.
- The seatbelt should fit snugly in order to provide full restraint. Loose fitting belts are not as effective in preventing or reducing injury.
- Place the lap belt as low as possible on the child's hips. High-positioned lap belt will increase the risk of sliding under the lap belt and of the lap belt sliding up over the abdomen, and both can result in serious internal injury or death.
- Make sure the shoulder belt is positioned across the center of child's shoulder. Placing the shoulder belt over the neck may result in neck injury during sudden braking or in a collision.

**■ Installation of child restraint systems by use of lower and tether anchorages (LATCH)****▼ Lower and tether anchorages****WARNING**

- Attach the child restraint system to the anchors properly. When using the LATCH anchors, be sure that there are no foreign objects around the anchors. Make sure the child restraint system is securely attached. Otherwise it may cause death or serious injury to children or other passengers in sudden braking, swerving, or accidents.

- When installing a child restraint system using LATCH anchors with the rear seatbelt fastened, ensure that the rear seatbelt does not become caught in the child restraint system or the lower LATCH anchorages.

**NOTE**

The seatbelt warning system of the rear seats detects if any of the seats are occupied by a passenger. Installing a child restraint system in the rear seating area, using the LATCH anchors, may result in the activation of the passenger seatbelt warning light and chime. Fastening the rear seatbelt prior to installing the child restraint system will avoid activating the passenger seatbelt warning light and chime.

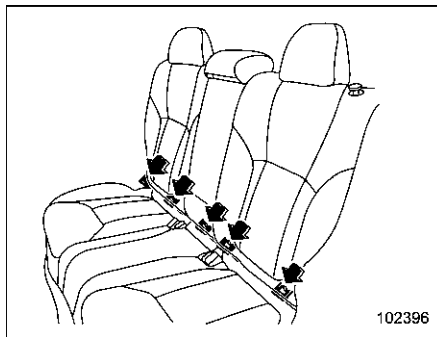
For details, refer to "Rear passenger's seats" P171.

Some types of child restraint systems can be installed on the rear seat of your vehicle without use of the seatbelts. Such child restraint systems are secured to the dedicated anchorages provided on the vehicle body. The lower and tether anchorages are sometimes referred to as the LATCH system (Lower Anchors and Tethers for CHildren).



Your vehicle is equipped with five lower anchorages (bars) and three upper anchorages (tether anchorages) for accommodating such child restraint systems.

▽ Lower anchorages

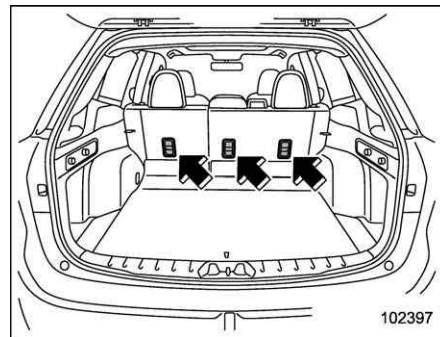


**WARNING**

**Do not connect two or more lower hooks onto the same anchorage (bar).**

There are a total of 5 lower anchorages at the rear seat. The rear anchorage from the right side is used for both the right seat and center seat. Each lower anchorage is located where the seat cushion meets the seatback.

▽ Tether anchorages



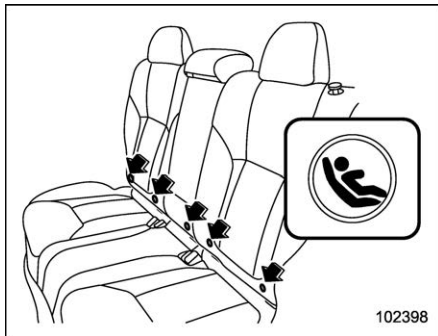
The tether anchorages (upper anchorages) are provided at the locations shown in the above illustration. For details, refer to “Top tether anchorages” P77.

▽ To install a child restraint system using lower and tether anchorages

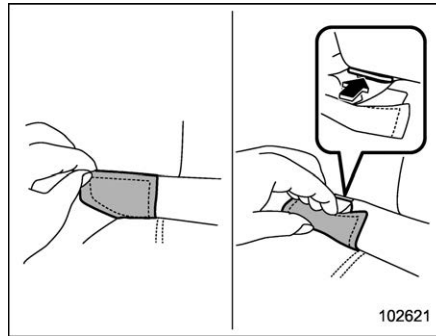
**WARNING**

**Before installing a child restraint system, be sure to confirm that the seatback is securely locked into place. Otherwise, in an accident, serious injury or death could result.**

1. Move the seatback back and forth to confirm that it is securely locked into place.
  - Check the red colored unlocking marker which is attached to the bottom of the lock release knob is not visible. For details, refer to “Folding down the rear seatback” P42.

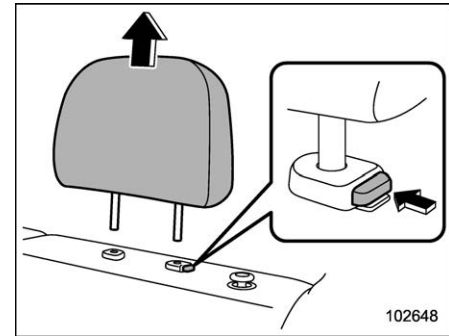


2. You will find “Ⓞ” marks at the bottoms of the rear seatback. These marks indicate the positions of the lower anchorages (bars).



3. Peel off the anchorage cover from the selected side of the rear seatback. Fold the peeled anchorage cover in half and affix it with hook and loop tape to expose the anchorages (bars) to be used for installation of the child restraint system.

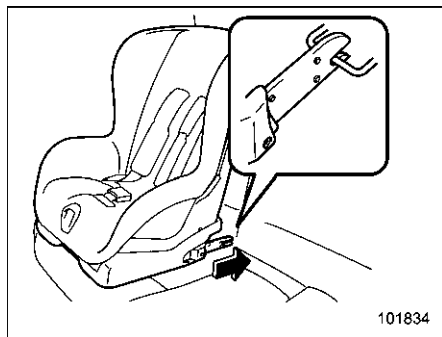
4. For models with rear seat reclining mechanism, if there is a gap between the child restraint system and the seatback, adjust the seatback angle until good contact is achieved.




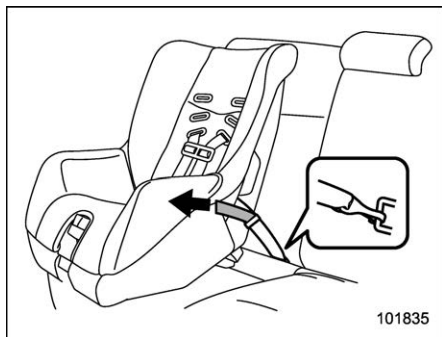
5. Remove the rear seat head restraint. For details, refer to “Head restraints” P45.

**CAUTION**


**Store the head restraint that has been removed in the cargo area. Do not place the head restraint in the passenger compartment to prevent it from being thrown around in the passenger compartment in a sudden stop or a sharp turn.**

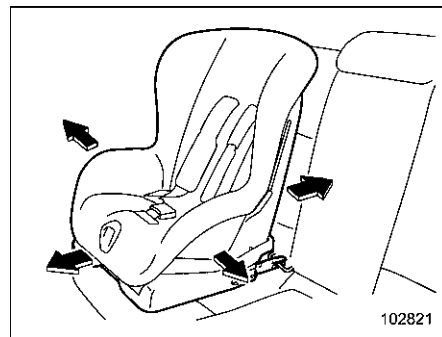


6. While following the instructions supplied by the child restraint system manufacturer, connect the lower hooks onto the lower anchorages located at “” marks on the bottom of the rear seatback. When the hooks are connected, make sure the adjacent seatbelts are not caught.



7. If your child restraint system is a flexible attachment type (which uses tether belts), push the child restraint system into the seat cushion and pull both left and right lower tether belts up to secure the child restraint system by taking up the slack in the belt.

8. Latch the top tether hook onto the tether anchorage that is located behind the rear seat and tighten the top tether firmly. For additional instructions, refer to “Top tether anchorages”  P77.



9. Before having a child sit in the child restraint system, try to move it back and forth and right and left to check if it is firmly secured. Sometimes a child restraint system can be more firmly secured by pushing it down into the seat cushion. It should not be possible to move the child restraint system more than 1 in (2.5 cm) in any direction along the seatbelt path.

10. To remove the child restraint system, follow the reverse procedures of installation.

SUBARU recommends that you check with a certified Child Passenger Safety Technician to ensure the proper installation of your child restraint system. For more information, and to locate the closest inspection location in the U.S., refer to the



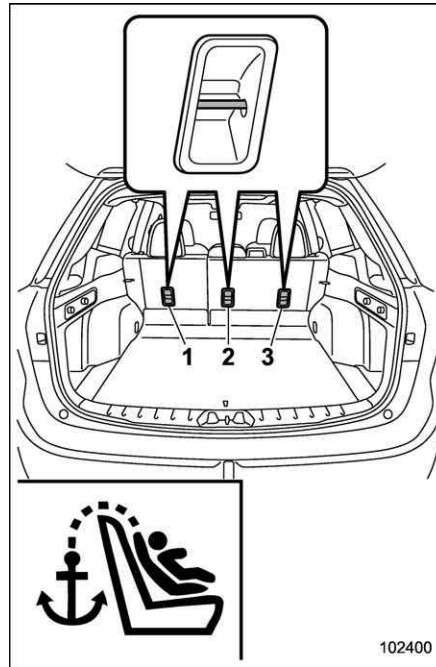
National Highway Traffic Safety Administration (NHTSA) website. In Canada, check with Transport Canada.

## ■ Top tether anchorages

Your vehicle is equipped with three top tether anchorages so that a child restraint system having a top tether can be installed in the rear seat. When installing a child restraint system using top tether, proceed as follows, while observing the instructions by the child restraint system manufacturer.

Since a top tether can provide additional stability by offering another connection between a child restraint system and the vehicle, we recommend that you use a top tether whenever one is required or available.

### ▼ Anchorage location



- 1) For left seat
- 2) For center seat
- 3) For right seat

Three upper anchorages are installed on the back side of the rear seatback.

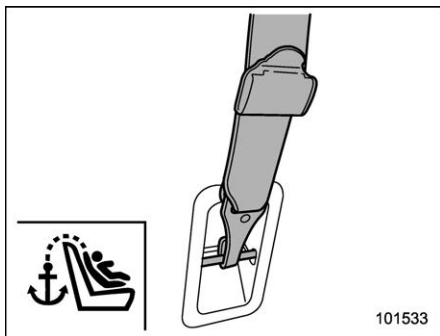
### ▼ To hook the top tether



**CAUTION**

- Remove the head restraint when mounting a child restraint system. Otherwise, the top tether cannot be fastened tightly.
- Store the head restraint that has been removed in the cargo area. Do not place the head restraint in the passenger compartment to prevent it from being thrown around in the passenger compartment in a sudden stop or a sharp turn.

1. Remove the head restraint where the child restraint system is to be installed. For details, refer to "Head restraints" P45.
2. For models with a reclining rear seat, adjust the seatback to the upright position.



3. Attach the top tether hook to the appropriate upper anchorage.
4. Tighten the top tether securely.

SUBARU recommends that you check with a certified Child Passenger Safety Technician to ensure the proper installation of your child restraint system. For more information, and to locate the closest inspection location in the U.S., refer to the National Highway Traffic Safety Administration (NHTSA) website. In Canada, check with Transport Canada.

## 1-9. SRS airbag (Supplemental Restraint System airbag)

Supplemental Restraint System (SRS) name is used because the airbag system supplements the vehicle's seatbelts.

This vehicle is equipped with a supplemental restraint system which consists of seven airbags.

The configurations are as follows.

- Driver's and front passenger's **front airbags**
- Driver's and front passenger's **side airbags**
- **Curtain airbags** (for driver, front passenger, and window-side rear passengers)
- **Knee airbag** for driver

**These SRS airbags are designed only as a supplement to the primary protection provided by the seatbelt.**

The system also controls seatbelt pretensioners. For operation instructions and precautions concerning the seatbelt pretensioner, refer to "Seatbelt pretensioners" P59.

## General precautions regarding SRS airbag system

### WARNING

- To obtain maximum protection in the event of an accident, the driver and all passengers must always wear seatbelts when in the vehicle. The SRS airbag is designed only to be a supplement to the primary protection provided by the seatbelt. It does not eliminate the need to fasten seatbelts. In combination with the seatbelts, it offers the best protection in case of a serious accident.

Not wearing a seatbelt increases the chance of severe injury or death in a crash even when the vehicle has the SRS system.

For instructions and precautions concerning the seatbelt system, refer to "Seatbelts" P50.

- The SRS side airbags and SRS curtain airbags are designed only to be a supplement to the primary protection provided by the seatbelt. They do not eliminate the need to fasten seatbelts. It is also important to wear a seatbelt to

help avoid injuries that can result when an occupant is not seated in a proper upright position.



100155

### WARNING

The SRS airbags deploy with considerable speed and force. Occupants who are not seated in proper upright position when the SRS airbag deploys could suffer serious injury. Because the SRS airbag needs enough space for deployment, the driver should always sit upright and back in the seat as far from the steering wheel as practical while still maintaining full vehicle control, and the front passenger should move the seat as far back

as possible and sit upright and well back in the seat.



102008

### WARNING

- Do not sit or lean close to either front door. The SRS side airbags are stored in both front seat seatbacks next to the door, and they provide protection by deploying rapidly in the event of a side impact collision. However, the force of SRS side airbag deployment can injure an occupant whose body is too close to an SRS airbag.
- Since your vehicle is equipped with SRS curtain airbags, do not

sit or lean close to the front or rear door on either side. Do not put body parts out of the window. The SRS curtain airbags on both sides of the cabin are stored in the roof side (between the front pillar and a point behind the rear quarter glass), and they provide protection by deploying rapidly in the event of a side impact, rollover or an offset frontal collision. However, the force of its deployment can injure an occupant whose body is too close to an SRS airbag.

- Do not sit or lean unnecessarily close to the SRS airbag. Because the SRS airbag deploys with considerable speed and force to protect in high speed collisions, the force of an airbag can injure an occupant whose body is too close to SRS airbag.

It is also important to wear seatbelts to help avoid injuries that can result when the SRS airbag contacts an occupant not in their proper position.

Even when properly positioned, there remains a possibility that an occupant may suffer minor injury, such as abrasions and

bruises to the face or arms, because of the SRS airbag deployment force.



### WARNING

- Keep arms away from either front door or its internal trim. They could be injured in the event of SRS side airbag deployment.
- Do not place any objects over or near the SRS airbag cover or between you and the SRS airbag. If the SRS airbag deploys, these objects could interfere with its proper operation and could be propelled inside the vehicle, causing injury.

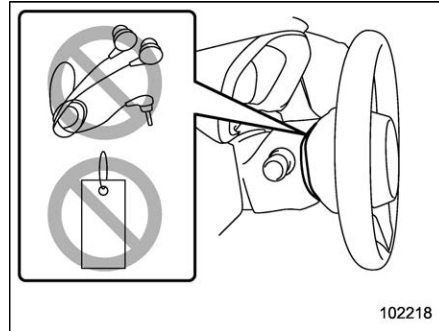
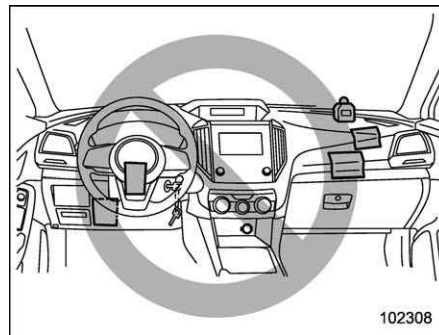
### CAUTION

- When the SRS airbag deploys, some smoke will be released. This smoke could cause breathing problems for people with a history of asthma or other breathing trouble. If you or your passengers have breathing problems after SRS airbag deploys, get fresh air promptly.
- A deploying SRS airbag releases hot gas. Occupants could get burned if they come into direct contact with the hot gas.

### NOTE

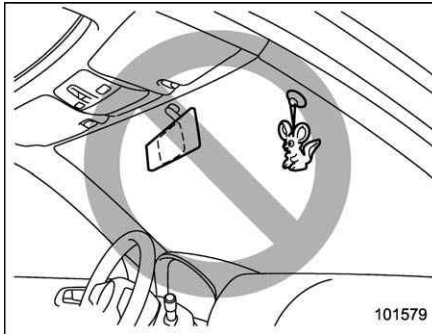
- When you sell your vehicle, we urge you to inform the buyer that the vehicle is equipped with SRS airbags. Also, notify the buyer of the applicable section in this Owner's Manual.
- If the SRS airbag deploys, fuel supply will be cut off to reduce the risk of fire caused by leaking fuel. For details about restarting of the engine, refer to "If your vehicle is involved in an accident" P454.

### General precautions regarding SRS airbag system for accessories and any objects

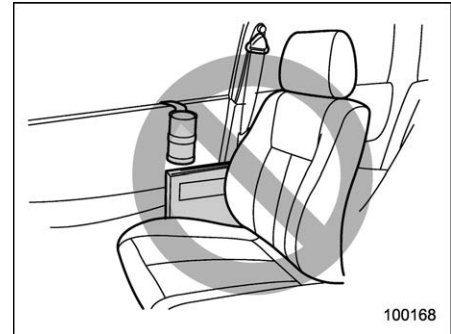


**⚠ WARNING**

- Do not put any objects (including straps or cords) over the steering wheel pad, column cover, or dashboard.
  - These objects could be entangled with the steering wheel, preventing the SRS frontal airbag, etc. from operating properly.
  - If the SRS frontal airbag deploys, these objects could be propelled inside the vehicle, causing injury.
- Do not put any objects under the driver's side of the instrument panel. If the SRS knee airbag deploys, those objects could interfere with its proper operation and could be propelled inside the vehicle, causing injury.
- The key must not be attached to heavy, sharp or hard accessories, or another key. If the SRS knee airbag deploys, those objects could interfere with its proper operation and could be propelled inside the vehicle and cause injury.

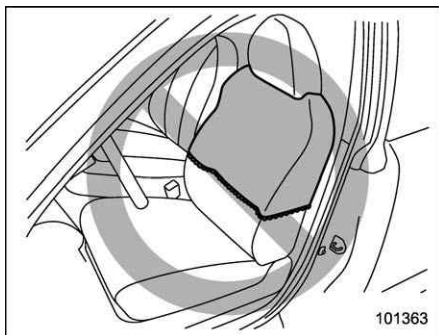
**⚠ WARNING**

Do not attach accessories to the windshield or fit an extra-wide mirror over the inside rear view mirror. If the SRS airbag deploys, those objects could become projectiles that could seriously injure vehicle occupants.

**⚠ WARNING**

- Do not attach accessories to the door trim or near either SRS side airbags and do not place objects near the SRS side airbags. In the event of SRS side airbag deployment, they could be propelled dangerously toward the vehicle's occupants and cause injuries.
- Do not attach a hands-free microphone or any other accessory to a front pillar, a center pillar, a rear pillar, the windshield, a side window, an assist grip, or any other cabin surface that would be near a deploying SRS curtain airbag. A hands-free microphone or other

accessory in such a location could be propelled through the cabin with great force by the curtain airbag, or it could prevent correct deployment of the curtain airbag. In either case, the result could be serious injuries.



**⚠ WARNING**

- Do not put any kind of clothes or other objects over either front seatback and do not attach labels or stickers to the front seat surface on or near the SRS side airbag. They could prevent proper deployment of the SRS side airbag, reducing protection available to the front seat's occupant.

- Do not install a seat cover unless it is a genuine SUBARU seat cover exclusively designed for use with the SRS airbag. Even when using a genuine SUBARU seat cover, the SRS side airbag system may not function normally if the seat cover is not installed correctly.

**■ General precautions regarding SRS airbag system and children**



**⚠ WARNING**

Seat children in the rear seat properly restrained at all times. The SRS

airbag deploys with considerable speed and force and can injure or even kill children, especially if they are not restrained or improperly restrained. Because children are lighter and weaker than adults, their risk of being injured from deployment is greater.

For that reason, we strongly recommend that ALL children (including those in child seats and those that have outgrown child restraint systems) sit in the REAR seat properly restrained at all times in a child restraint device or in a seatbelt, whichever is appropriate for the child's age, height and weight.

Secure ALL types of child restraint systems (including forward facing child seats) in the REAR seats at all times.

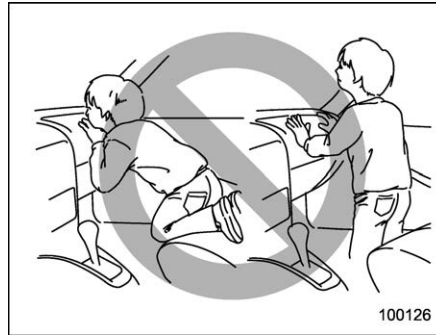
According to accident statistics, children are safer when properly restrained in the rear seating positions than in the front seating positions.

For instructions and precautions concerning the child restraint system, refer to "Child restraint systems" P62.



**⚠ WARNING**

**NEVER INSTALL A CHILD RESTRAINT SYSTEM IN THE FRONT PASSENGER'S SEAT. DOING SO RISKS SERIOUS INJURY OR DEATH TO THE CHILD BY PLACING THE CHILD'S HEAD TOO CLOSE TO THE SRS AIRBAG.**



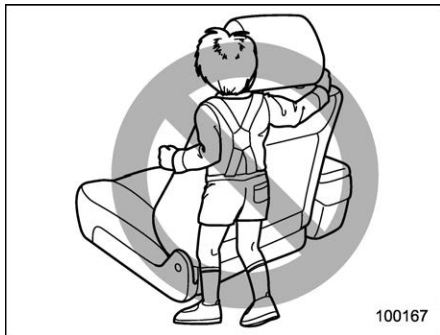
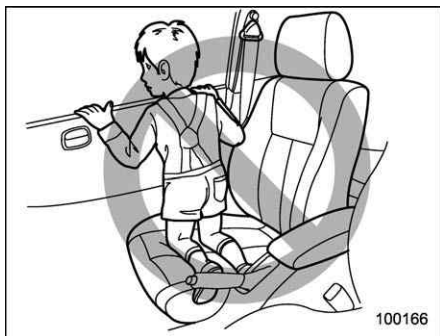
**⚠ WARNING**

**Never allow a child to stand up or kneel on the front passenger's seat. The SRS airbag deploys with considerable force and can injure or even kill the child.**



**⚠ WARNING**

**Never hold a child on your lap or in your arms. The SRS airbag deploys with considerable force and can injure or even kill the child.**



**⚠ WARNING**

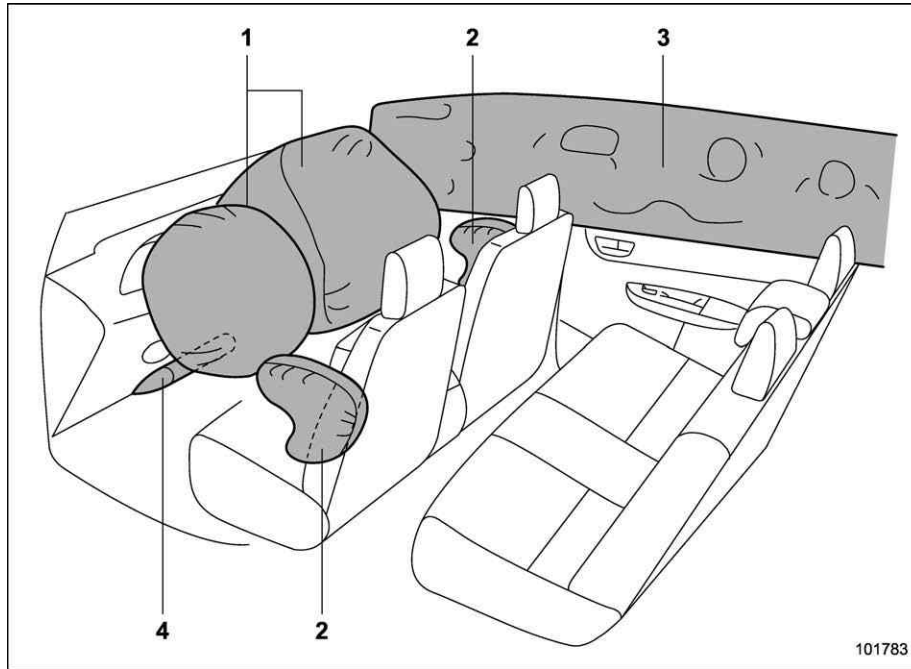
- Never allow a child to do the following.
  - Kneel on any passenger's seat facing the side window.
  - Wrap his/her arms around the front seat seatback.
  - Put his/her head, arms or other parts of the body out of the window.

In the event of an accident, the force of SRS side airbag and/or SRS curtain airbag deployment could injure the child seriously because his/her head, arms or other parts of the body are too close to the SRS side airbag and/or SRS curtain airbag.

- Since your vehicle is also equipped with a front passenger's SRS frontal airbag, children should be placed in the rear seat anyway and should be properly restrained at all times.



## ■ Components



- 1) SRS frontal airbag
- 2) SRS side airbag
- 3) SRS curtain airbag
- 4) SRS knee airbag

The SRS airbags are stowed in the following locations.

**Driver's SRS frontal airbag:** in the center portion of the steering wheel

A "SRS AIRBAG" mark is located at the pad of the airbag.

**Front passenger's SRS frontal airbag:** near the top of the dashboard under the "SRS AIRBAG" mark

**SRS side airbag:** in the door side of each front seat seatback which bears an "SRS AIRBAG" label

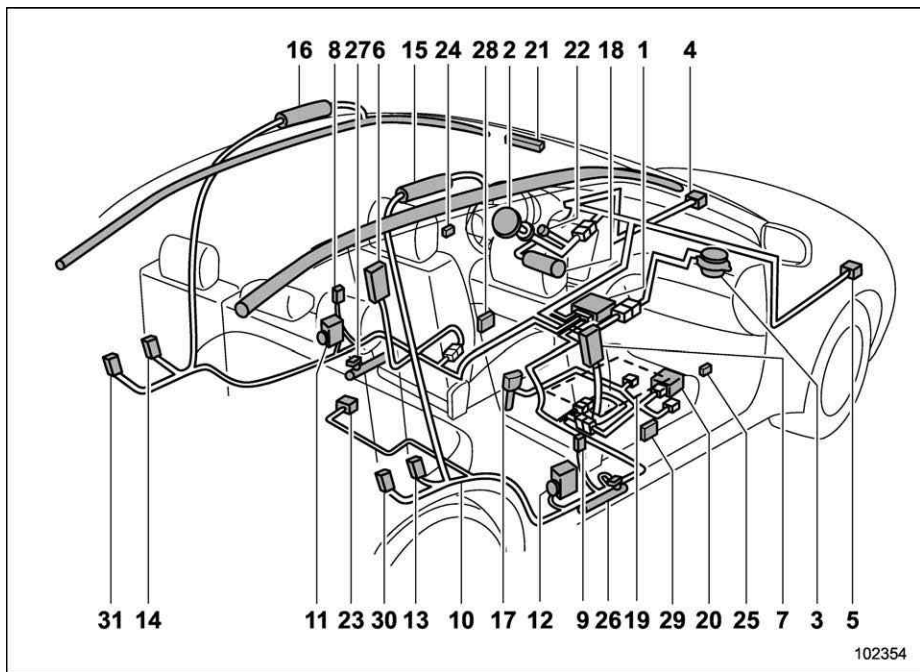
**SRS curtain airbag:** in the roof side (between the front pillar and a point behind the rear quarter glass)

"SRS AIRBAG" marks are located at the top of each center pillar.

**SRS knee airbag:** under the steering column

A "SRS AIRBAG" mark is located at the door of the airbag.

101783



- 1) Airbag control module (including impact sensor and rollover sensor)
- 2) Frontal airbag module (driver's side)
- 3) Frontal airbag module (front passenger's side)
- 4) Front impact sensor (left-hand side)
- 5) Front impact sensor (right-hand side)
- 6) Side airbag module (driver's side)
- 7) Side airbag module (front passenger's side)
- 8) Side impact sensor (center pillar left-hand side)
- 9) Side impact sensor (center pillar right-hand side)
- 10) Airbag wiring
- 11) Seatbelt pretensioner and adaptive force limiter (driver's side)
- 12) Seatbelt pretensioner and adaptive force limiter (front passenger's side)
- 13) Side impact sensor (rear wheel house right-hand side)
- 14) Side impact sensor (rear wheel house left-hand side)
- 15) Curtain airbag module (right-hand side)
- 16) Curtain airbag module (left-hand side)
- 17) Seatbelt buckle switch (front passenger's side)
- 18) Knee airbag module (driver's side)
- 19) Front passenger's occupant detection system sensor
- 20) Front passenger's occupant detection control module
- 21) Front passenger's frontal airbag ON and OFF indicator
- 22) SRS airbag system warning light

- 23) Side impact sensor (under the rear center seat)
- 24) Side impact sensor (front door left-hand side)
- 25) Side impact sensor (front door right-hand side)
- 26) Lap belt pretensioner (front passenger's side)
- 27) Lap belt pretensioner (driver's side)
- 28) Driver's seat position sensor
- 29) Passenger's seat position sensor
- 30) Rear seatbelt pretensioner (front passenger's side)
- 31) Rear seatbelt pretensioner (driver's side)

### ■ SUBARU advanced frontal airbag system

Your vehicle is equipped with a SUBARU advanced frontal airbag system that complies with the new advanced frontal airbag requirements in the amended Federal Motor Vehicle Safety Standard (FMVSS) No. 208.

The SUBARU advanced frontal airbag system automatically determines the deployment force of the driver's SRS frontal airbag at the time of deployment as well as whether or not to activate the front passenger's SRS frontal airbag and, if activated, the deployment force of the SRS frontal airbag at the time of deployment.



Your vehicle has warning labels on the driver's and front passenger's sun visors beginning with the phrase "EVEN WITH

ADVANCED AIR BAGS" and a tag attached to the glove box lid beginning with the phrase "Even with Advanced Air Bags". Make sure that you carefully read the instructions on the warning labels and tag.

Always wear your seatbelt. The SUBARU advanced frontal airbag system is a supplemental restraint system and must be used in combination with a seatbelt. All occupants should wear a seatbelt or be seated in an appropriate child restraint system.

For the locations of the SRS airbags, refer to "Components" P85.

In a moderate to severe frontal collision, the following components deploy.

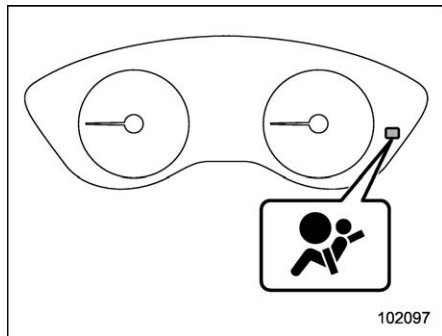
- SRS frontal airbag for driver
- SRS frontal airbag for front passenger
- SRS knee airbag for driver
- SRS curtain airbag\*1

\*1: When an offset frontal collision that is severe enough to deploy the front airbag occurs.

These components supplement the seatbelts by reducing the impact to the occupant's head, chest and knees.

### ▼ Driver's SRS frontal airbag

The driver's SRS frontal airbag uses a dual stage inflator. The inflator operates in different ways depending on the severity of impact.



SRS airbag system warning light

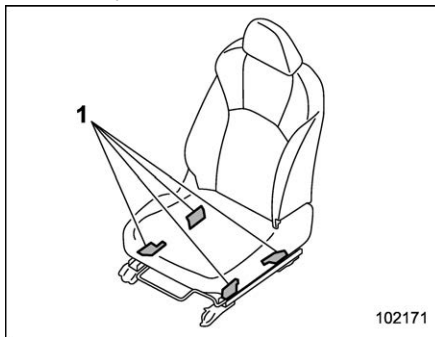
Have the system inspected by your SUBARU dealer immediately if the SRS airbag system warning light illuminates.

### NOTE

The driver's SRS side airbag and SRS curtain airbag are not controlled by the SUBARU advanced frontal airbag system.

### ▼ Front passenger's SRS frontal airbag

The front passenger's SRS frontal airbag uses a dual stage inflator. The inflator operates in different ways depending on the severity of impact.



- 1) Occupant detection system sensors

The occupant detection system sensors are installed between the seat and seat rails, and monitor the physique and posture of the front passenger. Using this information, the occupant detection system determines whether the front passenger's SRS frontal airbag should be deployed or not.

The occupant detection system may not inflate the front passenger's SRS frontal airbag even when the driver's SRS frontal

airbag deploys. This is normal. In this case, although the front passenger's SRS frontal airbag does not operate, the front passenger's seatbelt pretensioner operates with the driver's seatbelt pretensioner. For details about the seatbelt pretensioner, refer to "Seatbelt pretensioners" P59.

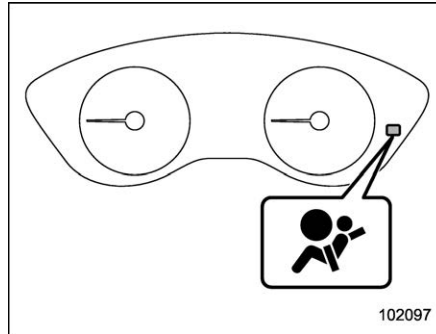
### ⚠ CAUTION

Observe the following precautions. Failure to do so may prevent the SUBARU advanced frontal airbag system from functioning correctly or cause the system to fail.

- Do not apply any strong impact to the front passenger's seat, such as by kicking.
- Do not let rear passengers rest their feet between the front seat-back and seat cushion.
- Do not spill liquid on the front passenger's seat. If liquid is spilled, wipe it off immediately.
- Do not remove or disassemble the front passenger's seat.
- Do not install any accessory (such as an audio amplifier) other than a genuine SUBARU accessory under the front passenger's

seat.

- Do not place anything (shoes, umbrella, etc.) under the front passenger's seat.
- Do not place any objects (books, etc.) around the front passenger's seat.
- Do not use the front passenger's seat with the head restraint removed.
- Do not leave any articles on the front passenger's seat or the seatbelt tongue and buckle engaged when you leave your vehicle.
- Do not put sharp object(s) on the seat or pierce the seat upholstery.
- Do not place a magnet near the seatbelt buckle and the seatbelt retractor.
- Do not use front seats with their forward-backward position and seatback not being locked into place securely. If any of them are not locked securely, adjust them again. For adjusting procedure, refer to "Forward and backward adjustment" P35 and "Reclining the seatback" P35.



SRS airbag system warning light

If the seatbelt buckle switch and/or front passenger's occupant detection system have failed, the SRS airbag system warning light will illuminate. Have the system inspected by your SUBARU dealer immediately if the SRS airbag system warning light illuminates.


If your vehicle has sustained impact, this may affect the proper function of the SUBARU advanced frontal airbag system. Have your vehicle inspected at your SUBARU dealer. Do not use the front passenger's seat while driving the vehicle to your SUBARU dealer.


## NOTE

The front passenger's SRS side airbag and SRS curtain airbag are not controlled by the SUBARU advanced frontal airbag system.

### ▼ Passenger's frontal airbag ON and OFF indicators

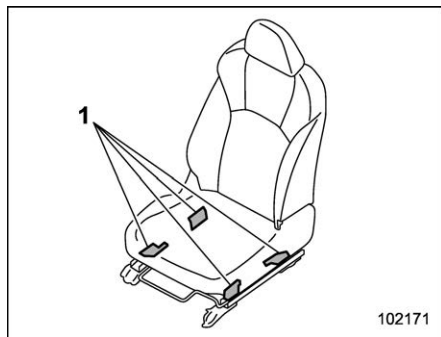


ON  Front passenger's frontal airbag ON indicator

OFF  Front passenger's frontal airbag OFF indicator

Refer to "Front passenger's frontal airbag ON and OFF indicators" P172.

## ▼ Occupant detection system



1) Occupant detection system sensors

The occupant detection system sensors are installed between the seat and seat rails, and monitor the physique and posture of the front passenger. Using this information, the occupant detection system determines whether the front passenger's SRS frontal airbag should be deployed or not.


**WARNING**

**Do not kick the front passenger seat or subject it to severe impact. Otherwise, the SRS airbag system warning light may illuminate to indicate a malfunction of the front passenger occupant detection system. In this**

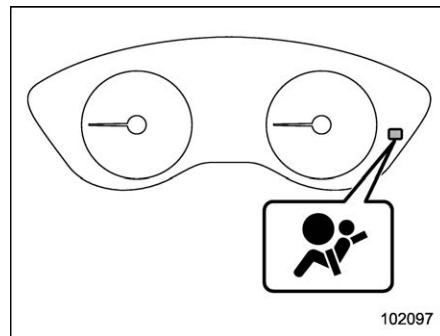
case, contact your SUBARU dealer immediately.


**CAUTION**

Electrical devices, such as cell phones, laptops, portable music players, or electronic games, especially when connected to the accessory power outlet and placed on the front passenger's seat or used by the person sitting in the front passenger's seat, may affect the operation of the occupant detection system. If either of the following situations occurs when using an electronic device in the vehicle, at first try to relocate that device to avoid it creating any interference.

- The SRS airbag system warning light illuminates.
- The front passenger's frontal airbag ON and OFF indicators operate erratically.

If the device continues to cause interference, the use of that device in the vehicle should be discontinued.

**SRS airbag system warning light**

If the front passenger's seat cushion is wet, this may adversely affect the ability of the system to determine deployment. Wipe off liquid from the seat, let the seat dry naturally and then check the SRS airbag system warning light.



ON Front passenger's frontal airbag ON indicator

OFF Front passenger's frontal airbag OFF indicator

If the front passenger's frontal airbag ON and OFF indicators do not work properly even when the front passenger's seat is dry, do not allow anyone to sit on the front passenger's seat and have the occupant detection system checked by your SUBARU dealer.



ON Front passenger's frontal airbag ON indicator

OFF Front passenger's frontal airbag OFF indicator

Also, if luggage or electronic devices are placed on the front passenger's seat, this may adversely affect the ability of the system to determine deployment. This may prevent the front passenger's frontal airbag ON and OFF indicators from working properly. Check that the indicators work properly.

When the OFF indicator turns off and the ON indicator illuminates, the front passenger's frontal airbag may deploy during a collision. Remove luggage and electronic devices from the front passenger's seat.

### ▼ Conditions in which front passenger's SRS frontal airbag is not activated

The front passenger's SRS frontal airbag will not be activated when any of the following conditions are met regarding the front passenger's seat:

- The seat is empty.
- The seat is equipped with an appropriate child restraint system and an infant or a child is restrained in it. (See WARNING that follows.)
- The front passenger's occupant detection system is malfunctioning.



### WARNING

**NEVER INSTALL A CHILD RESTRAINT SYSTEM IN THE FRONT SEAT EVEN IF THE FRONT PASSENGER'S SRS FRONTAL AIRBAG IS DEACTIVATED.** Be sure to install it in the REAR seat in a correct manner. Also, it is strongly recommended that any forward facing child seat or booster seat be installed in the REAR seat, and that even children who have outgrown a child restraint system be also seated in the REAR seat. This is because children sitting in the front passenger's seat may be killed or severely injured should the

front passenger's SRS frontal airbag deploy. REAR seats are the safest place for children.


### CAUTION


When the front passenger's seat is occupied by an infant in an appropriate child restraint system, observe the following precautions. Failure to do so may interfere with the proper operation of the occupant detection system, activating the front passenger's SRS frontal airbag even though that seat is occupied by the infant in the child restraint system.

- Do not place any article (including electronic devices) on the seat other than the infant in the child restraint system.
- Do not place more than one infant in the child restraint system.

- ▽ If the front passenger's frontal airbag ON indicator illuminates and the OFF indicator turns off even when an infant or a small child is in a child restraint system (including booster seat)



ON  Front passenger's frontal airbag ON indicator

OFF  Front passenger's frontal airbag OFF indicator

1. Turn the ignition switch to the "LOCK"/"OFF" position.
2. Remove the child restraint system from the seat.
3. By referring to the child restraint manufacturer's recommendations as well as the child restraint system installation procedures in "Child restraint systems" P62, correctly install the child restraint

system.

4. Turn the ignition switch to the "ON" position and make sure that the front passenger's frontal airbag ON indicator turns off and the OFF indicator illuminates.

If the ON indicator still remains illuminated while the OFF indicator turns off, take the following actions.

- Ensure that no article is placed on the seat other than the child restraint system and the child occupant.
- Ensure that the backward-forward position and seatback of the front passenger's seat are locked into place securely by moving the seat back and forth.

If the ON indicator still remains illuminated while the OFF indicator turns off after taking the relevant corrective actions described above, relocate the child restraint system to the rear seat and immediately contact your SUBARU dealer for an inspection.

### NOTE

**When a child who has outgrown a child restraint system or a small adult is seated in the front passenger's seat, the SUBARU advanced frontal airbag system may or may not activate the front passenger's SRS frontal airbag**



depending on the occupant's seating posture. Children should always wear a seatbelt when sitting in the seat irrespective of whether the airbag is deactivated or activated. If the front passenger's SRS frontal airbag is activated (the ON indicator remains illuminated while the OFF indicator turns off), take the following action.

- Ensure that no article is placed on the seat other than the occupant.

If the ON indicator still remains illuminated while the OFF indicator turns off despite the fact that the actions noted above have been taken, seat the child/small adult in the rear seat and immediately contact your SUBARU dealer for an inspection. Even if the system has passed the dealer inspection, it is recommended that on subsequent trips the child/small adult always take the rear seat.

Children who have outgrown a child restraint system should always wear the seatbelt irrespective of whether the airbag is deactivated or activated.


#### ▼ Conditions in which front passenger's SRS frontal airbag is activated


The front passenger's SRS frontal airbag will be activated for deployment upon impact when any of the following conditions are met regarding the front passenger's seat.

- When the seat is occupied by an adult.
- When certain items (e.g. jug of water) are placed on the seat.

- ▽ If the passenger's frontal airbag OFF indicator illuminates and the ON indicator turns off even when the front passenger's seat is occupied by an adult



ON : Front passenger's frontal airbag ON indicator

OFF : Front passenger's frontal airbag OFF indicator

This can be caused by the adult incorrectly sitting in the front passenger's seat.

1. Turn the ignition switch to the "LOCK"/"OFF" position.
2. Ask the front passenger to set the seatback to the upright position, sit up straight in the center of the seat cushion, correctly fasten the seatbelt, position his/her legs out forward, and adjust the seat to the rearmost position.

3. Turn the ignition switch to the “ON” position.

If the OFF indicator remains illuminated while the ON indicator remains off, take the following actions.

1. Turn the ignition switch to the “LOCK”/ “OFF” position.

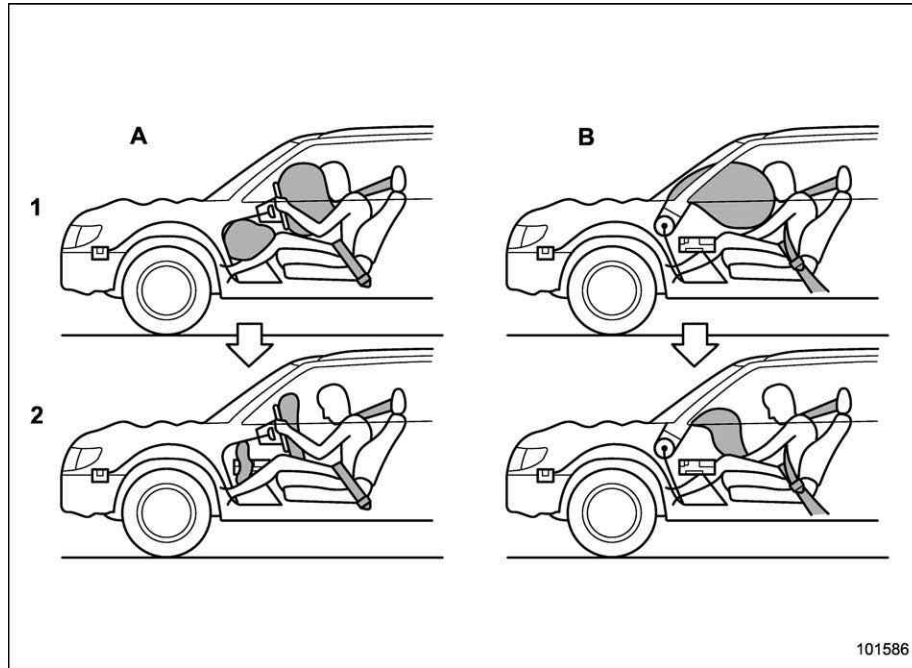
2. Make sure that the front passenger does not use a blanket, seat cushion, seat cover, seat heater or massager, etc.

3. If wearing excessive layers of clothing, the front passenger should remove any unnecessary items before sitting in the front passenger’s seat, or should sit in a rear seat.

4. Turn the ignition switch to the “ON” position and wait 6 seconds to allow the system to complete self-checking. Following the system check, both indicators turn off for 2 seconds. Now, the ON indicator should illuminate while the OFF indicator remains off.

If the OFF indicator still remains illuminated while the ON indicator remains off, ask the occupant to move to the rear seat and immediately contact your SUBARU dealer for an inspection.

## ▼ Operation



- A) Driver's side  
 B) Passenger's side  
 1) SRS AIRBAGs deploy as soon as a collision occurs.  
 2) After deployment, SRS AIRBAGs start to deflate immediately so that the driver's vision is not obstructed.

The SRS airbags can function only when the ignition switch is in the "ON" position.

The SUBARU advanced frontal airbag system is designed to determine the activation or deactivation condition of the front passenger's SRS frontal airbag depending on the characteristic of item(s) or person on the front passenger's seat monitored by the front passenger's occupant detection system sensor. For this reason, only the driver's SRS frontal airbag may deploy in the event of a collision, but this does not mean failure of the system.

If the following sensors detect a predetermined amount of force during a frontal collision, the control module sends signals to the airbag module(s) (only driver's module or both driver's and front passenger's modules) instructing the module(s) to inflate the SRS frontal airbag(s).

- The front impact sensors
- The impact sensors in the airbag control module

On the driver's side, the SRS knee airbag also inflates with the SRS frontal airbag.

The driver's and front passenger's SRS frontal airbags use dual stage inflators. The two inflators of each airbag are triggered either sequentially or simultaneously, depending on the severity of impact, in the case of the driver's SRS frontal airbag and depending on the severity of impact and the characteristic of item(s) or person on the seat in the case of the front passenger's SRS frontal airbag.

#### ▼ After deployment

After deployment, the SRS airbag immediately starts to deflate so that the driver's vision is not obstructed and the driver's ability to maintain control of the vehicle is not impaired. The time required from detecting impact to the deflation of the SRS airbag after deployment is shorter than the blink of an eye.

Both when only the driver's SRS frontal airbag deploys and the driver's and front passenger's SRS frontal airbags deploy, the driver's and front passenger's seatbelt pretensioners operate at the same time.

When the SRS airbag deploys, a sudden, fairly loud inflation noise will be heard and some smoke will be released. These occurrences are a normal result of the deployment. This smoke does not indicate a fire in the vehicle.



### CAUTION

**Do not touch the SRS airbag system components around the steering wheel and dashboard with bare hands right after deployment. Doing so can cause burns because the components can be very hot as a result of deployment.**

#### ▼ Example of the type of accident

The driver's SRS frontal airbag and front passenger's SRS frontal airbag are designed as follows.

- To deploy in the event of an accident involving a moderate to severe frontal collision
- To function on a one-time-only basis

The driver's SRS frontal airbag and front passenger's SRS frontal airbag are not designed as follows.

- To deploy in most lesser frontal impacts\*1
- To deploy in most side or rear impacts or in most rollover accidents\*2

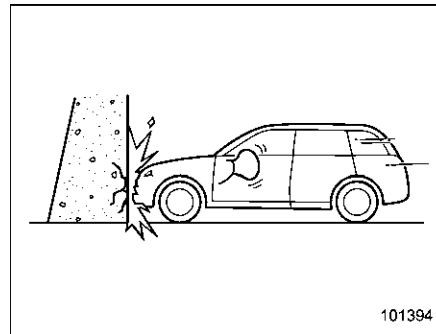
\*1: Because the necessary protection can be achieved by the seatbelt alone.

\*2: Because deployment of only the driver's SRS frontal airbag or both the driver's and front passenger's SRS frontal airbags

would not protect the occupant in those situations.

SRS airbag deployment depends on the level of force experienced in the passenger compartment during a collision. That level differs from one type of collision to another, and it may have no bearing on the visible damage done to the vehicle itself.

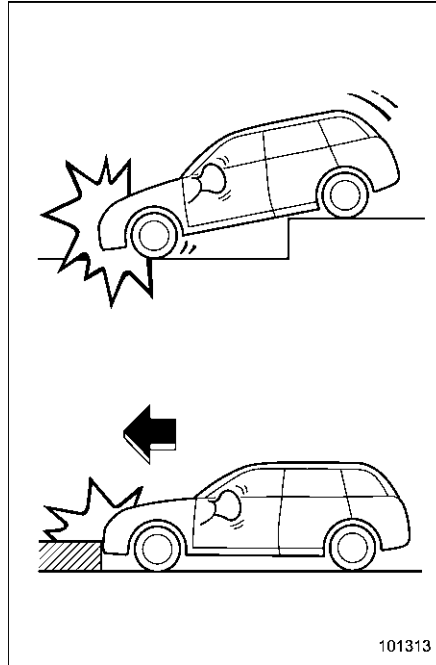
#### ▽ Example of accident in which the driver's/driver's and front passenger's SRS frontal airbag(s) will most likely deploy



A head-on collision against a thick concrete wall at a vehicle speed of 12 to 19 mph (20 to 30 km/h) or higher activates only the driver's SRS frontal airbag or both driver's and front passenger's SRS frontal airbags. The airbag(s) will also be acti-

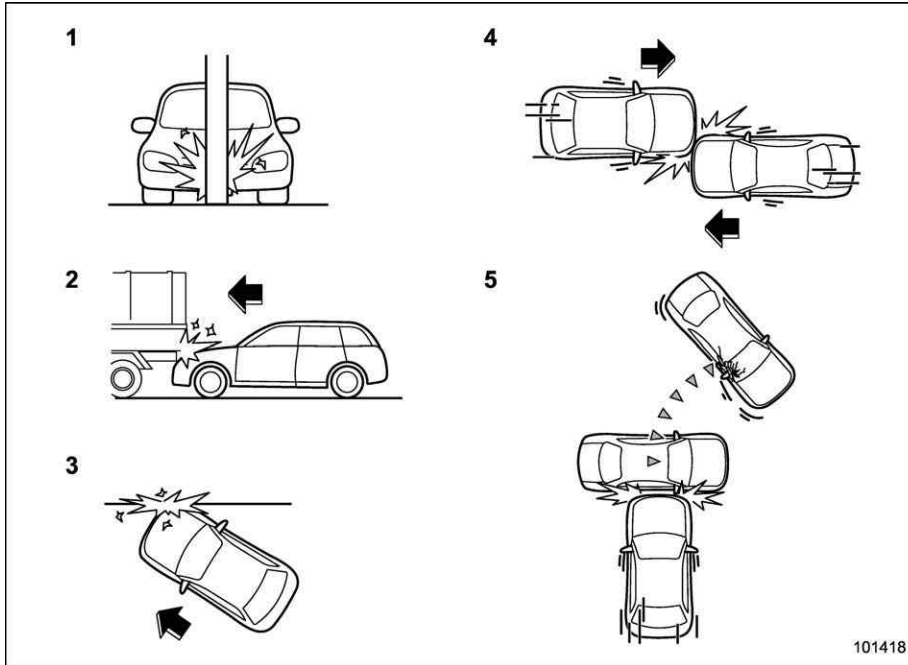
vated when the vehicle is exposed to a frontal impact similar in fashion and magnitude to the collision described above.

▽ **Examples of the types of accidents in which it is possible that the driver's/driver's and front passenger's SRS frontal airbag(s) will deploy**



Only the driver's SRS frontal airbag or both driver's and front passenger's SRS frontal airbags may be activated when the vehicle sustains a hard impact in the undercarriage area from the road surface (such as when the vehicle plunges into a deep ditch, is severely impacted or knocked hard against an obstacle on the road such as a curb).

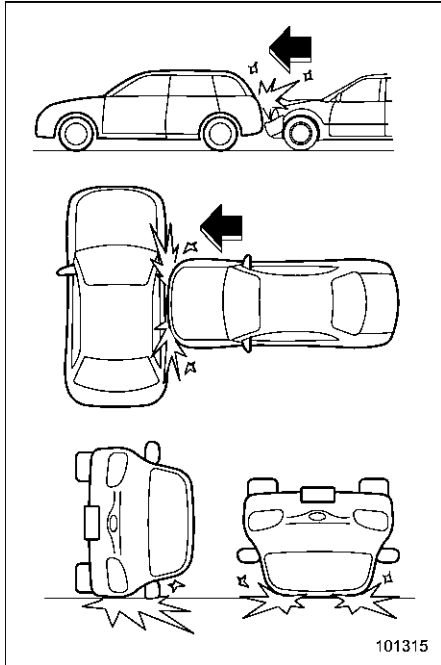
▽ Examples of the types of accidents in which deployment of the driver's/driver's and front passenger's SRS frontal airbag(s) is unlikely to occur



- 1) The vehicle strikes an object, such as a telephone pole or sign pole.
- 2) The vehicle slides under the load bed of a truck.
- 3) The vehicle sustains an oblique offset frontal impact.
- 4) The vehicle sustains an offset frontal collision.
- 5) The vehicle strikes an object that can move or deform, such as a parked vehicle.

There are many types of collisions which might not necessarily require deployment of driver's/driver's and front passenger's SRS frontal airbag(s). In the event of accidents like those illustrated, the driver's/driver's and front passenger's SRS frontal airbag(s) may not deploy depending on the level of accident forces involved.

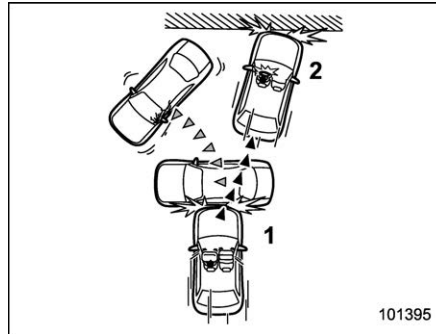
▽ **Examples of the types of accidents in which the driver's/driver's and front passenger's SRS frontal airbag(s) are not designed to deploy in most cases**



The driver's and front passenger's SRS

frontal airbags are not designed to deploy in most of the following cases.

- If the vehicle is struck from the side or from behind.
- If the vehicle rolls onto its side or roof.
- If the vehicle is involved in a low-speed frontal collision.



- 1) First impact
- 2) Second impact

In an accident where the vehicle is impacted more than once, the driver's and/or front passenger's SRS frontal airbag(s) will deploy only once on the first impact.

Example: In the case of a double collision, first with another vehicle, then against a concrete wall in immediate succession,

once either or both of the driver's and front passenger's SRS frontal airbags is/are activated on the first impact, it/they will not be activated on the second impact.

■ **SRS side airbag and SRS curtain airbag**



▼ **SRS side airbag**

The SRS side airbag is stored in the door side of each front seat seatback, which bears an "SRS AIRBAG" label.

In a moderate to severe side impact collision, the SRS side airbag on the impacted side of the vehicle deploys between the occupant and the door panel and supplements the seatbelt by reducing the impact on the occupant's chest and waist. The SRS side airbag operates only

for front seat occupants.

### ▼ SRS curtain airbag

Your vehicle is equipped with a SUBARU SRS curtain airbag system that complies with the Federal Motor Vehicle Safety Standard (FMVSS) No. 226.

The SRS curtain airbag on each side of the cabin is stored in the roof side (between the front pillar and a point over the rear seat). An “SRS AIRBAG” mark is located at the top of each center pillar.

In a moderate to severe side impact collision, the SRS curtain airbag on the impacted side of the vehicle deploys between the occupant and the side window and supplements the seatbelt by reducing the impact on the occupant’s head.

In a rollover, SRS curtain airbags on both sides of the vehicle deploy between the occupant and the side window and supplement the seatbelt by reducing the impact to the occupant’s head.

In an offset frontal collision, SRS curtain airbags on both sides of the vehicle deploy between the occupant and the side window and supplement the seatbelt by reducing the impact to the occupant’s head and chest.

### ▼ Operation

The SRS side airbag and SRS curtain airbag can function only when the ignition switch is in the “ON” position.

The following airbags deploy independently of each other since each has its own impact sensor.

- Driver’s SRS side airbag
- Front passenger’s SRS side airbag
- SRS curtain airbag (right-hand side)
- SRS curtain airbag (left-hand side)

Therefore, they may not both deploy in the same accident. Also, the SRS side airbag and SRS curtain airbag deploys independently of the driver’s and front passenger’s SRS frontal airbags in the steering wheel and instrument panel.

For the locations of the sensors and control modules, refer to “Components” P85.

### ▼ After deployment

After the deployment, the SRS side airbag immediately starts to deflate. The time required from detection of an impact to deflation of an SRS side airbag after deployment is shorter than the blink of an eye.

The SRS curtain airbag remains inflated

for a while following deployment then slowly deflates.

The SRS side airbag and SRS curtain airbag deploy even when no one occupies the seat on the side on which an impact is applied.

When the SRS side airbag and SRS curtain airbag deploy, a sudden, fairly loud inflation noise will be heard and some smoke will be released. These occurrences are a normal result of the deployment. This smoke does not indicate a fire in the vehicle.



### CAUTION

**Do not touch the SRS side airbag system components around the front seat seatback with bare hands right after deployment. Doing so can cause burns because the components can be very hot as a result of deployment.**

**After deployment, do not touch any part of the SRS curtain airbag system (from the front pillar to the part of the roof side over the rear seat). Doing so can cause burns because the components can be very hot as a result of deployment.**



### ▼ Example of the type of accident

The SRS side airbag and SRS curtain airbag are designed as follows:

- To deploy in the event of an accident involving a moderate to severe side impact collision
- To function on a one-time-only basis

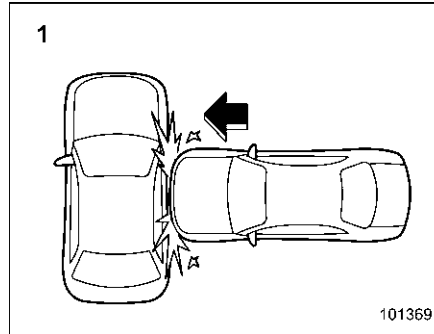
The SRS side airbag and SRS curtain airbag are not designed to deploy in the following cases:

- In most lesser side impacts
- In most frontal or most rear impacts (because the SRS side airbag and SRS curtain airbag deployment would not protect the occupant in those situations)

The SRS curtain airbags are also designed to deploy when the vehicle is in an extremely inclined state such as during a rollover. They are not designed to deploy in most lesser inclined state.

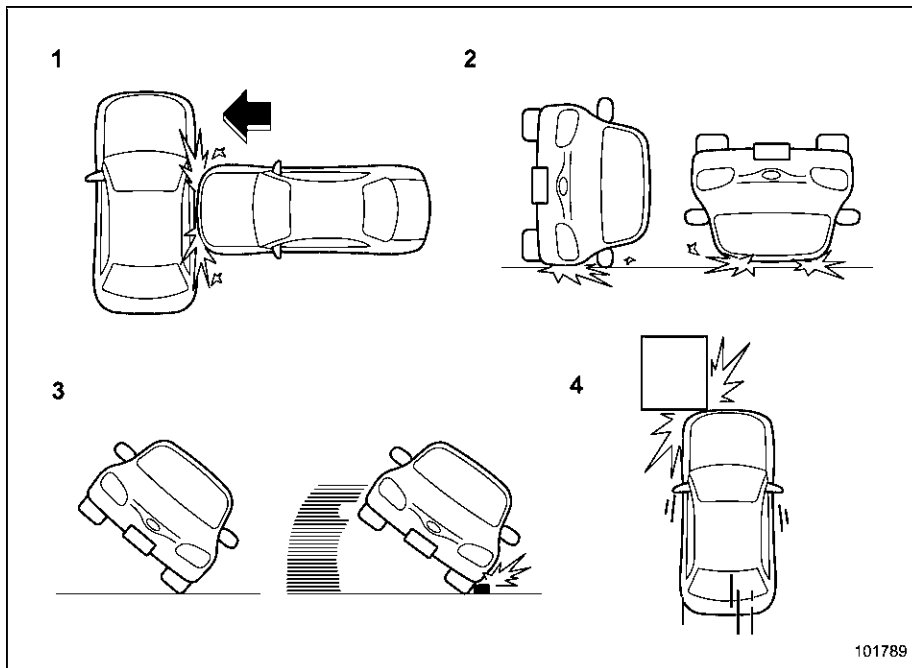
SRS side airbag and SRS curtain airbag deployment depend on the level of force experienced in the passenger compartment during a side impact collision. That level differs from one type of collision to another, and it may have no bearing on the visible damage done to the vehicle itself.

### ▽ Example of the type of accident in which the SRS side airbag will most likely deploy



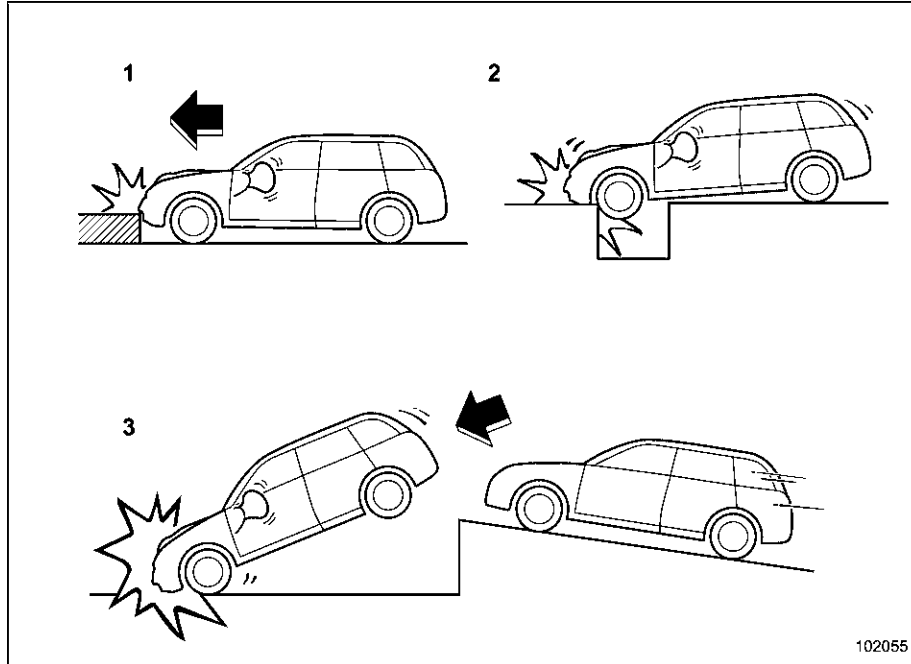
- 1) A severe side impact near the front seat.

▽ Examples of the types of accidents in which the SRS curtain airbag will most likely deploy



- 1) The vehicle is involved in a severe side impact near the front seat or the rear seat.
- 2) The vehicle rolls onto its side or the roof.
- 3) The angle of vehicle tip-up is marginal or the skidding vehicle's tires hit a curbstone laterally.
- 4) An offset frontal collision that is severe enough to deploy the front airbag.

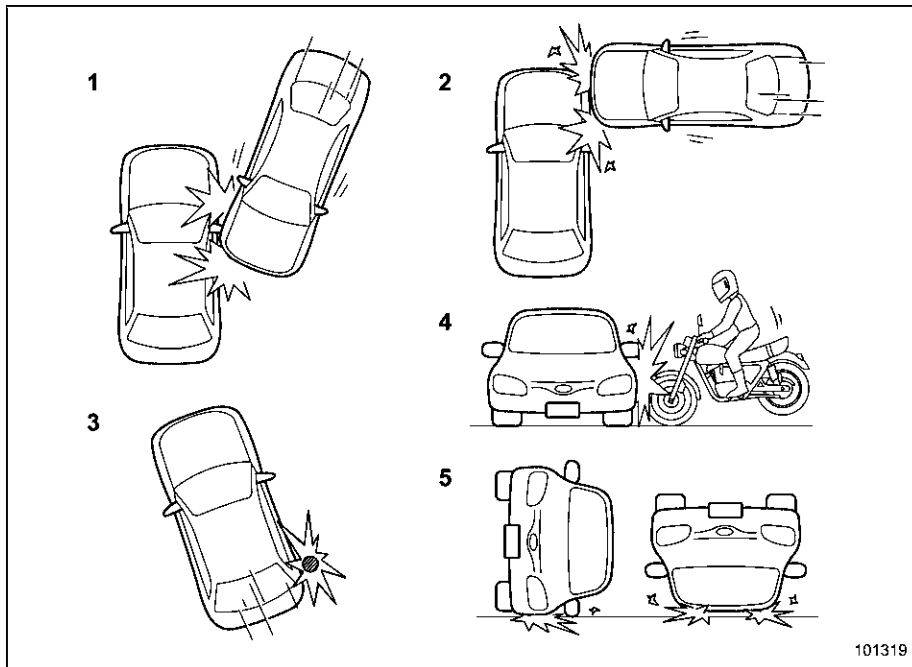
## ▽ Examples of the types of accidents in which it is possible that the SRS side airbag and the SRS curtain airbag will deploy



- 1) Hitting a curb, edge of pavement or hard surface
- 2) Falling into or jumping over a deep hole
- 3) Landing hard or vehicle falling

It is possible that the SRS side and curtain airbags will deploy if a serious impact occurs to the underside of your vehicle. Some examples are shown in the illustration.

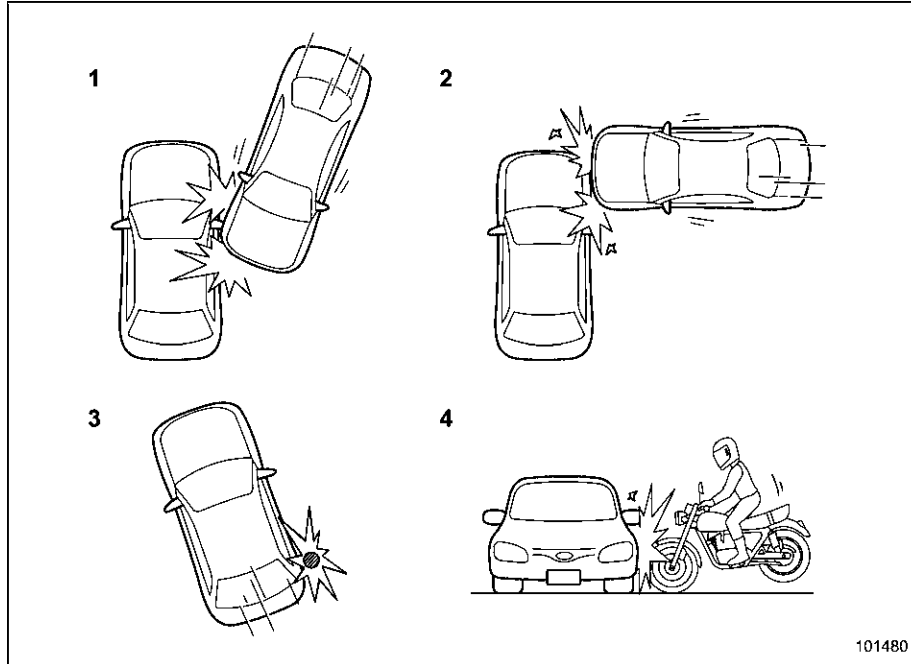
▽ Examples of the types of accidents in which the SRS side airbag is unlikely to deploy



- 1) The vehicle is involved in an oblique side-on impact.
- 2) The vehicle is involved in a side-on impact in an area outside the vicinity of the passenger compartment.
- 3) The vehicle strikes a telephone pole or similar object.
- 4) The vehicle is involved in a side-on impact from a motorcycle.
- 5) The vehicle rolls onto its side or the roof.

There are many types of collisions which might not necessarily require SRS side airbag deployment. In the event of accidents like those illustrated, the SRS side airbag may not deploy depending on the level of accident forces involved.

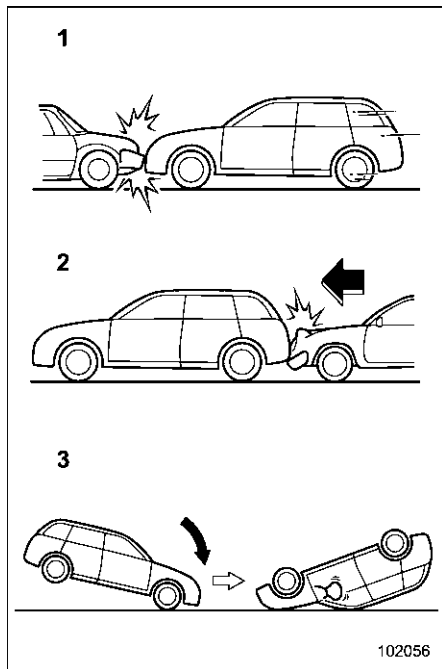
▽ Examples of the types of accidents in which the SRS curtain airbag is unlikely to deploy



- 1) The vehicle is involved in an oblique side-on impact.
- 2) The vehicle is involved in a side-on impact in an area outside the vicinity of the passenger compartment.
- 3) The vehicle strikes a telephone pole or similar object.
- 4) The vehicle is involved in a side-on impact from a motorcycle.

There are many types of collisions which might not necessarily require SRS curtain airbag deployment. In the event of accidents like those illustrated, the SRS curtain airbag may not deploy depending on the level of accident forces involved.

▽ Examples of the types of accidents in which the SRS side airbag and SRS curtain airbag are not designed to deploy in most cases

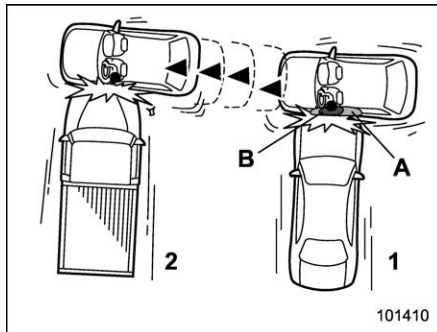


- 1) The vehicle is involved in frontal collision with another vehicle (moving or station-

ary).

- 2) The vehicle is struck from behind.
- 3) The vehicle pitches end over end.

In the event of accidents like those illustrated, the SRS side airbag and SRS curtain airbag are not designed to deploy in most cases.



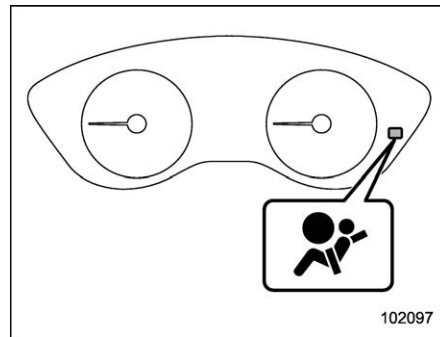
- 1) First impact
- 2) Second impact
- A) SRS curtain airbag
- B) SRS side airbag

In an accident where the vehicle is struck from the side more than once, the SRS side airbag and SRS curtain airbag deploy only once on the first impact.

Example: In the case of a double side impact collision, first with one vehicle and immediately followed by another from the

same direction, once the SRS side airbag and SRS curtain airbag are activated on the first impact, they will not be activated on the second.

## ■ SRS airbag system monitors



### SRS airbag system warning light

A diagnostic system continually monitors the readiness of the SRS airbag system (including front seatbelt pretensioners) with the ignition switch in the "ON" position. The SRS airbag system warning light will show normal system operation by illuminating for approximately 6 seconds when the ignition switch is turned to the "ON" position.

The following components are monitored by the indicator:

- Front impact sensor
  - Right-hand side
  - Left-hand side
- Airbag control module (including impact sensor and rollover sensor)
- Frontal airbag module
  - Driver's side
  - Front passenger's side
- Knee airbag module (driver's side)
- Side impact sensor
  - Center pillar right-hand side
  - Center pillar left-hand side
  - Front door right-hand side
  - Front door left-hand side
  - Rear wheel house right-hand side
  - Rear wheel house left-hand side
  - Under the rear center seat
- Side airbag module
  - Driver's side
  - Front passenger's side
- Curtain airbag module
  - Right-hand side
  - Left-hand side
- Seatbelt pretensioner and adaptive force limiter
  - Driver's side
  - Front passenger's side
- Lap belt pretensioner

- Driver's side
- Front passenger's side
- Seatbelt buckle switch (front passenger's side)
- Front passenger's occupant detection system sensor
- Front passenger's occupant detection control module
- Front passenger's frontal airbag ON and OFF indicator
- All related wiring
- Driver's seat position sensor
- Passenger's seat position sensor
- Rear seatbelt pretensioner
  - Right-hand side
  - Left-hand side



#### WARNING

If the warning light exhibits any of the following conditions, immediately stop the vehicle in a safe place, and consult a SUBARU dealer. Unless a technician checks and repairs the system as needed, the seatbelt pretensioners and/or the SRS airbag will not operate properly in the event of a collision, which may result in injury.

- Flashing or flickering of the warning light

- No illumination of the warning light when the ignition switch is first turned to the "ON" position
- Continuous illumination of the warning light
- Illumination of the warning light while driving

### ■ SRS airbag system servicing



#### WARNING

- When discarding an airbag module or scrapping the entire vehicle damaged by a collision, consult your SUBARU dealer.
- The SRS airbag has no user-serviceable parts. Do not use electrical test equipment on any circuit related to the SRS airbag system. For required servicing of the SRS airbag, consult your nearest SUBARU dealer. Tampering with or disconnecting the system's wiring could result in accidental inflation of the SRS airbag or could make the system inoperative, which may result in serious injury.

**CAUTION**

If you need service or repair in areas indicated in the following list, have the work performed by an authorized SUBARU dealer. The SRS airbag control module, impact sensors and airbag modules are stored in these areas.

- Under the center of the instrument panel
- On both the right and left sides at the front of the vehicle
- Steering wheel and column and nearby areas
- Bottom of the steering column and nearby areas
- Top of the dashboard on front passenger's side and nearby areas
- Each front seat and nearby area
- Inside each center pillar
- Inside each front door
- In each roof side (from the front pillar to a point over the rear seat)
- Between the rear seat cushion and rear wheel house on each side
- Under the rear center seat

In the event that the SRS airbag is deployed, replacement of the system should be performed only by an authorized SUBARU dealer. When the components of the SRS airbag system are replaced, use only genuine SUBARU parts.

**NOTE**

In the following cases, contact your SUBARU dealer as soon as possible.

- The front part of the vehicle was involved in an accident in which only the driver's SRS frontal airbag or both driver's and front passenger's SRS frontal airbags did not deploy.
- The pad of the steering wheel, the cover over the front passenger's SRS frontal airbag, or either roof side (from the front pillar to a point over the rear seat) is scratched, cracked, or otherwise damaged.
- The center pillar, front door, rear wheel house or rear sub frame, or an area near these parts, was involved in an accident in which the SRS side airbag and SRS curtain airbag did not deploy.
- The fabric or leather of either front seatback is cut, frayed, or otherwise damaged.

- The rear part of the vehicle was involved in an accident in which no SRS airbag was deployed.

**■ Precautions against vehicle modification****WARNING**

- To avoid accidental activation of the system or rendering the system inoperative, which may result in serious injury, no modifications should be made to any components or wiring of the SRS airbag system.

This includes following modifications.

- Installation of custom steering wheels
- Attachment of additional trim materials to the dashboard
- Installation of custom seats
- Replacement of seat fabric or leather
- Installation of additional fabric or leather on the front seat
- Attachment of a hands-free microphone or any other accessory to a front pillar, a



center pillar, a rear pillar, the windshield, a side window, an assist grip, or any other cabin surface that would be near a deploying SRS curtain airbag.

- Installation of additional electrical/electronic equipment such as a mobile two-way radio on or near the SRS airbag system components and/or wiring is not advisable. This could interfere with proper operation of the SRS airbag system.
- Modifications on or inside the front door panels for the purpose of a speaker replacement or sound insulation.
- The impact sensors, which detect the pressure of an impact, are located in the doors. Do not modify any components of the doors or door trims, such as the addition of door speakers for example. Any modifications to the doors create a risk of the airbag system becoming inoperative or unintended airbag deployment.



### CAUTION

Do not perform any of the following modifications. Such modifications can interfere with proper operation of the SRS airbag system.

- Attachment of any equipment (bush bar, winches, snow plow, skid plate, etc.) other than genuine SUBARU accessory parts to the front end.
- Modification of the suspension system or front end structure.
- Installation of a tire of different size and construction from the tires specified on the vehicle placard attached to the driver's door pillar or specified for individual vehicle models in this Owner's Manual.
- Attachment of any equipment (side steps or side sill protectors, etc.) other than genuine SUBARU accessory parts to the side body.

Always consult your SUBARU dealer if you want to install any accessory parts on your vehicle.

### ■ How to contact the vehicle manufacturer concerning modifications for persons with disabilities that may affect the advanced airbag system

Changing or moving any parts of the front seats, rear seat, seatbelts, front bumper, front side frame, radiator panel, instrument panel, combination meter, steering wheel, steering column, tire, suspension or floor panel can affect the operation of the SUBARU advanced airbag system. If you have any questions, you may contact the following SUBARU distributors.

<Continental U.S., Alaska and the District of Columbia>

Subaru of America, Inc.  
Customer Advocacy Department  
One Subaru Drive  
P.O. Box 9103  
Camden, NJ 08101-9877  
1-800-SUBARU3 (1-800-782-2783)

<Hawaii>

Subaru Hawaii  
2850-A Pukoloa St.,  
Honolulu, HI 96819  
877-215-0338

<Guam>

Shen's Corporation dba Prestige Automobiles  
491 East Marine Corps Drive,  
Dededo, Guam 96929  
671-633-2698

<Puerto Rico>

Trebol Motors  
296 Marginal JF Kennedy, San Juan,  
Puerto Rico  
787-793-2828

<Canada>

Subaru Canada, Inc.  
Consumer Support Department  
560 Suffolk Court, Mississauga, Ontario  
L5R 4J7  
1-800-894-4212

There are currently no SUBARU distributors in any other U.S. territories. If you are in such an area, please contact the SUBARU distributor or dealer from which you bought your vehicle.

2-1. Keys .....	113
Key number plate .....	113
2-2. Keyless access with push-button start system (if equipped) .....	113
Safety precautions .....	114
Locking and unlocking by holding the access key fob .....	117
Unlock using PIN Code Access .....	121
Power saving function .....	123
Power saving function of access key fob .....	124
Disabling keyless access function .....	124
Selecting audible signal operation .....	127
Warning chimes and warning indicator .....	127
When access key fob does not operate properly .....	127
Replacing battery of access key fob .....	127
Replacing access key fob .....	127
Certification for keyless access with push-button start system .....	127
2-3. Immobilizer .....	129
Security indicator light .....	129
Key replacement .....	129
Certification for immobilizer system .....	130
2-4. Remote keyless entry system .....	131
Locking the doors .....	132
Unlocking the doors .....	132
Unlocking the rear gate .....	133
Vehicle finder function .....	133
Sounding a panic alarm .....	133

Setting audible signal operation (models without “keyless access with push-button start system”) .....	133
Replacing the battery .....	134
Replacing lost transmitters .....	134
Certification for remote keyless entry system .....	134
2-5. Door locks .....	135
Locking and unlocking from the outside .....	135
Locking and unlocking from the inside .....	136
Automatic door locking/unlocking .....	137
Key lock-in prevention function .....	138
Battery drainage prevention function .....	138
2-6. Alarm system .....	139
Alarm system operation .....	139
Arming the system .....	139
Disarming the system .....	140
Alarm system setting .....	141
If you have accidentally triggered the alarm system .....	141
Valet mode .....	141
2-7. Child safety locks .....	142
2-8. Windows .....	142
Power window operation .....	143
Initialization of power window (windows with off delay function) .....	145
2-9. Rear gate .....	145
Manual rear gate .....	145
Power rear gate (if equipped) .....	146

*Keys and doors*

---

**2-10. Moonroof (if equipped)..... 154**  
**Moonroof switch..... 154**

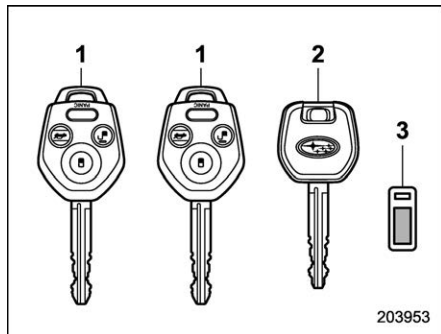
**Anti-entrapment function..... 155**  
**Sunshade..... 155**

## 2-1. Keys

### NOTE

For models with “keyless access with push-button start system”, refer to “Keyless access with push-button start system” ⓄP113.

The following keys are provided with the vehicle.



- 1) Master keys
- 2) Sub key
- 3) Key number plate

A key can be used in the following locations.

- Ignition switch
- Driver's door
- Glove box

The valet key fits only the ignition switch and door locks. You can keep the glove box locked when you leave your vehicle and valet key at a parking facility.

### NOTE

Locking/unlocking using the remote keyless entry system can also be controlled with the buttons on the key. For details, refer to “Remote keyless entry system” ⓄP131.



### CAUTION

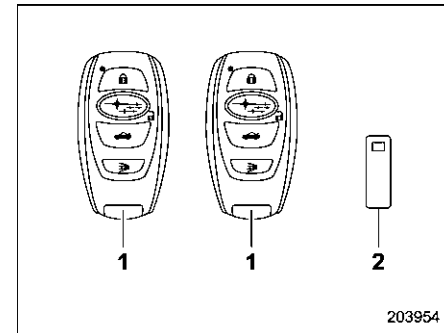
Do not attach a large key holder or key case to either key. If it bangs against your knees while you are driving, it could turn the ignition switch from the “ON” position to the “ACC” or “LOCK” position, thereby stopping the engine.

### ■ Key number plate

The key number is stamped on the key number plate attached to the key set. Write down the key number and keep it in another safe place, not in the vehicle. This number is needed to make a replacement key if you lose your key or lock it inside the vehicle. Refer to “Key replacement” ⓄP129.

## 2-2. Keyless access with push-button start system (if equipped)

The following access key fobs are provided with the vehicle.



- 1) Access key fobs
- 2) Key number plate

The “keyless access with push-button start system” allows the following functions to be performed when the access key fob is being carried.

- Locking and unlocking of doors, rear gate and fuel filler lid (For details, refer to “Locking and unlocking by holding the access key fob” ⓄP117.)
- Starting and stopping the engine (For details, refer to “Starting and stopping

– CONTINUED –

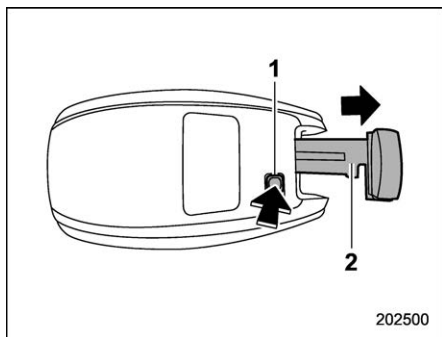
engine (models with push-button start system)" P319.)

- Arming and disarming the alarm system (For details, refer to "Alarm system" P139.)

## NOTE

- Locking/unlocking using the remote keyless entry system can also be controlled with the buttons on the access key fob. For details, refer to "Remote keyless entry system" P131.
- Carefully store the key number plate supplied with the access key fob. It is necessary for vehicle repair and additional registration of access key fobs. For details, refer to "Key replacement" P129.

An emergency key is attached to each access key fob.



- 1) Release button
- 2) Emergency key

Press the release button of the access key fob to take out the emergency key.

The emergency key is used for the following operations.

- Locking and unlocking the driver's door
- Locking and unlocking the glove box

## NOTE

The glove box can be kept locked when the vehicle and the access key fob (with the emergency key removed) are left at a parking facility.

## ■ Safety precautions



If you wear an implanted pacemaker or an implanted defibrillator, stay at least 8.7 in (22 cm) away from the transmitting antennas installed on the vehicle.

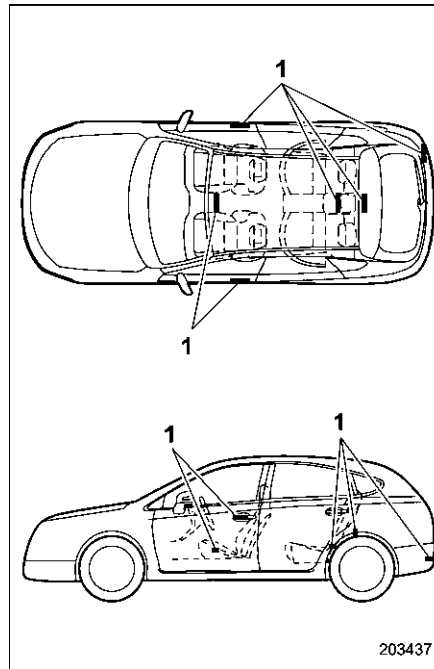
The radio waves from the transmitting antennas on the vehicle could adversely affect the operation of implanted pacemakers and implanted defibrillators.

If you wear electronic medical equipment other than an implanted pacemaker or an implanted defibrillator, before using the keyless access with push-button start system, refer to "Radio waves used for the keyless access with push-button start system" mentioned later, and contact the electronic medical equipment manufacturer for more information. The radio waves from the transmitting antennas on the vehicle could adversely affect the operation of the electronic medical equipment.

"Radio waves used for the keyless access with push-button start system"

- The keyless access with push-button start system uses radio waves of the following frequency\* in addition to the radio waves used for the remote keyless entry system. The radio waves are periodically output from the antennas installed on the vehicle as shown in the following illustrations.

\*: Radio frequency: 134 kHz



1) Antennas

203437

### ⚠ CAUTION

- Never leave or store the access key fob inside the vehicle or within 6.6 ft (2 m) around the vehicle (e.g., in the garage). The access key fob may be locked inside the vehicle, or the battery may discharge rapidly. Note that the push-button ignition switch may not turn on in some cases depending on the location of the access key fob.
- The access key fob contains electronic components. Observe the following precautions to prevent malfunctions.
  - It is recommended to have the access key battery replaced at an authorized SUBARU dealer to avoid the risk of damage.
  - Do not get the access key fob wet. If the access key fob gets wet, wipe it off immediately and let it dry completely.
  - Do not apply strong impacts to the access key fob.
  - Never leave the access key fob in direct sunlight or anywhere that may become hot, such as on the dashboard. It

- may damage the battery or cause circuit malfunctions.
- Do not wash the access key fob in an ultrasonic washer.
- Do not leave the access key fob in humid or dusty locations. Doing so may cause malfunctions.
- Keep the access key fob away from magnetic sources.
- Do not leave the access key fob near a personal computer or home electrical appliance.
- Do not leave the access key fob near a battery charger or any electrical accessories.
- Do not apply metallic window tint or attach metallic objects to the windows.
- Do not fit non genuine accessories or parts.
- If the access key fob is dropped, the integrated emergency key inside may become loose. Be careful not to lose the emergency key.
- When traveling in an airplane, do not press the button of the access key fob. If any button of the access key fob is pressed, radio waves are emitted and may affect

the operation of the airplane. In a bag, take measures to prevent the buttons from being pressed accidentally.

### NOTE

- The operational/non-operational setting for the keyless access function can be changed. For the setting procedure, refer to “Disabling keyless access function” ⓄP124.
- For detailed information about the operation method for the push-button ignition switch while the keyless access function is switched to the non-operational mode, refer to “Access key fob – if access key fob does not operate properly” ⓄP451.
- The keyless access with push-button start system uses weak radio waves. The status of the access key fob and environmental conditions may interfere with the communication between the access key fob and the vehicle under the following conditions, and it may not be possible to lock or unlock the doors or start the engine.
  - When operating near a facility where strong radio waves are transmitted, such as a broadcast station and power transmission lines.

- When products that transmit radio waves are used, such as an access key fob or a remote transmitter key of another vehicle.
- When carrying the access key fob of your vehicle together with the access key fob or the remote transmitter of another vehicle.
- When the access key fob is placed near wireless communication equipment such as a cell phone.
- When the access key fob is placed near a metallic object.
- When metallic accessories are attached to the access key fob.
- When carrying the access key fob with an electronic appliance such as a laptop computer.
- When the battery of the access key fob is discharged.
- The access key fob is always communicating with the vehicle and is continuously using the battery. Although the life of the battery varies depending on the operating conditions, it is approximately 1 to 2 years. If the battery becomes fully discharged, replace it with a new one.
- If an access key fob is lost, it is recommended that all of the remaining access key fobs be reregistered. For



reregistration of an access key fob, contact a SUBARU dealer.

- For a spare access key fob, contact a SUBARU dealer.

- Up to 7 access key fobs can be registered for one vehicle.

- Do not leave the access key fob in the storage spaces inside the vehicle, such as the door pocket, dashboard or inside the corner of the cargo area. Vibrations may damage the key fob or turn on the switch, possibly resulting in a lockout.

- After the vehicle battery is discharged or replaced, initialization of the steering lock system may be required to start the engine. In this case, perform the following procedure to initialize the steering lock.

- (1) Turn the push-button ignition switch to the “OFF” position. For details, refer to “Switching power status” P163.

- (2) Open and close the driver’s door.

- (3) Wait for approximately 10 seconds.

When the steering is locked, the initialization is completed.

- Do not leave the access key fob in the following places.

- On the instrument panel
- On the floor
- Inside the glove box
- Inside the door trim pocket
- On the rear seat
- In the cargo area

If you do, the following situations may occur.

- The access key fob is mistakenly locked inside the vehicle.
- A false warning issues although no malfunction actually occurs.
- No warning issues even when a malfunction occurs.

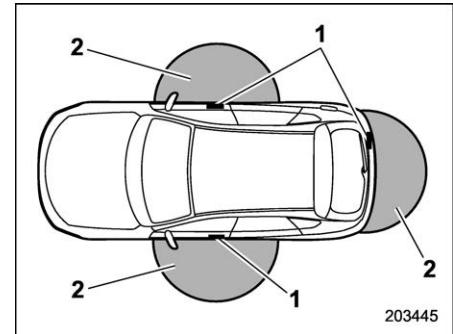
## ■ Locking and unlocking by holding the access key fob

When the access key fob is carried within the operating range, the doors, rear gate and fuel filler lid can be locked/unlocked just by touching the door handle.

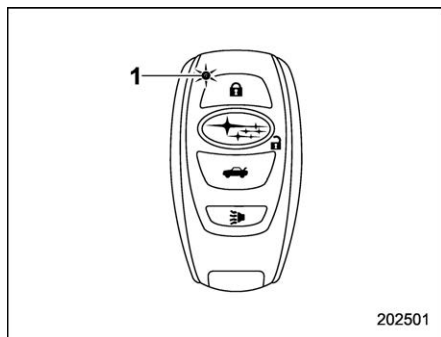
### NOTE

The vehicle can also be locked/unlocked with the remote keyless entry system. For details, refer to “Remote keyless entry system” P131.

### ▼ Operating ranges



- 1) Antennas
- 2) Operating range (approximately 16 to 32 in (40 to 80 cm))



1) LED indicator

When the access key fob is within either of the operating ranges of the front doors, the LED indicator on the access key fob flashes. When the keyless access functions are disabled, the LED indicator does not flash unless a button on the access key fob is pressed.

## NOTE

- If the access key fob is placed too close to the vehicle body, the keyless access functions may not operate properly. If it does not operate properly, repeat the operation from farther away.
- If the access key fob is placed near the ground or in an elevated location from the ground, even if it is in the indicated operating range, the keyless

access function may not operate properly.

- When the access key fob is within the operating range, it is possible for anyone, even someone who is not carrying the access key fob, to operate the keyless access function. Note that the keyless access function can be operated only by the door handle, door lock sensor, rear gate opener button or rear lock button in the operating range in which the access key fob is detected.

- It is not possible to lock the doors, rear gate and fuel filler lid using the keyless access function when the access key fob is inside the vehicle. However, depending on the status of the access key fob and the environmental conditions, the access key fob may be locked inside the vehicle. Before locking the vehicle, make sure that you have the access key fob.

- When the battery of the access key fob is discharged, or when operating it in a location with strong radio waves or noise (e.g., near a radio tower, power plant, broadcast station or an area where wireless equipment is used), or while talking on a cell phone, the operating ranges may be reduced, or the keyless access function may not operate.

In such a case, perform the procedure

described in “Locking and unlocking” [P452](#).

- The doors may lock or unlock when the car is being washed or exposed to a significant amount of water that contacts the door handle while the key fob is still in the operating range.

## ▼ How to lock and unlock

It is possible to perform the following operations when you are carrying the access key fob.

- Lock and unlock the doors.
- Lock and unlock the rear gate.
- Lock and unlock the fuel filler lid.

## NOTE

- It is not possible to lock the doors, rear gate and fuel filler lid using the keyless access function when the push-button ignition switch is in the “ACC” or “ON” position. Refer to “Switching power status” [P163](#).

- If the door handle is gripped with a gloved hand, the door lock may not be released.

- If the door lock sensor is touched three times or more repeatedly, the system will ignore the sensor operation.

- When performing the locking procedure too quickly, locking may not

complete. After performing the locking procedure, it is recommended to pull the REAR door handle to confirm that the doors have been locked.

- If any of the doors (or the rear gate) are not fully closed, the following will occur to alert you that the doors (or the rear gate) are not properly closed.

- An electronic chirp sounds five times.
- The hazard warning flashers flash five times.

- It is possible to lock the doors even when one of the doors is open. After performing the locking procedure, close the opened door or rear gate to lock it.

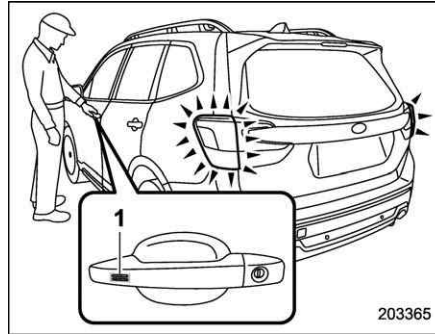
- Within 3 seconds after locking the doors and the rear gate using the keyless access function, it is not possible to unlock doors and/or the rear gate using the keyless access function.

- When locking, be sure to carry the access key fob to prevent locking the access key fob in the vehicle.

- The setting of the hazard warning flasher operation and the volume of the audible signal can be changed by your SUBARU dealer. Contact your SUBARU dealer for details. Also, for models with the combination meter display (color LCD), the setting of the hazard warning

flasher operation can be changed by operating the combination meter display (color LCD). For details, refer to “Keyless Entry System” P201.

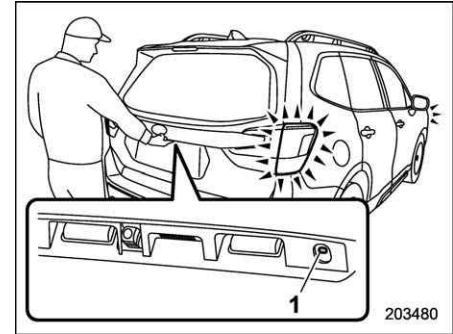
#### ▽ Locking with the door lock sensor



1) Door lock sensor

Carry the access key fob, close all doors including the rear gate, and touch the door lock sensor on the door handle. All doors including the rear gate and fuel filler lid will be locked. Also, an electronic chirp will sound once and the hazard warning flashers will flash once.

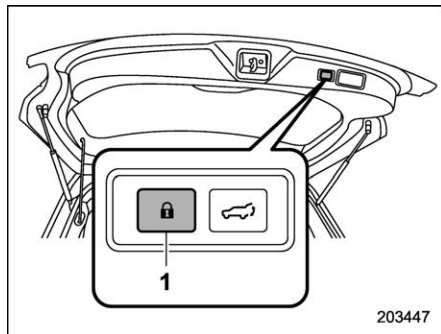
#### ▽ Locking with the rear lock button



1) Rear lock button

Carry the access key fob, close all doors including the rear gate, and press the rear lock button. The rear gate, fuel filler lid and all doors will be locked. Also, an electronic chirp will sound once and the hazard warning flashers will flash once.

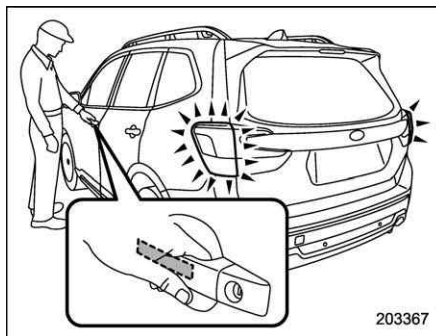
▽ Locking with the power rear gate lock button



1) Power rear gate lock button

Carry the access key fob, and press the power rear gate lock button. It will close automatically, and the rear gate, all doors and the fuel filler lid will be locked. Also, the hazard warning flashers will flash once, and an electronic chirp will sound once.

▽ Unlocking

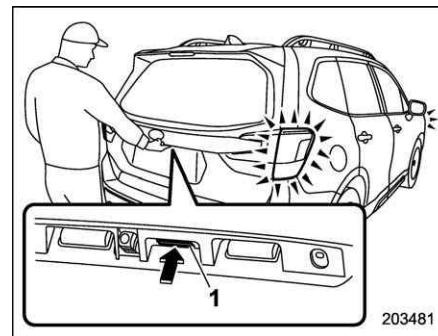


Carry the access key fob, and touch the sensor behind the door handle.

- The driver's door handle:  
Either the driver's door and fuel filler lid will unlock, or all doors and the fuel filler lid will unlock.
- The front passenger's door handle:  
The fuel filler lid, rear gate and all doors will be unlocked.

Also, an electronic chirp will sound twice and the hazard warning flashers will flash twice.

▽ Unlocking rear gate



1) Rear gate opener button

Carry the access key fob, and press the rear gate opener button. Either only the rear gate will unlock, or all doors and the fuel filler lid will unlock. Also, an electronic chirp will sound twice and the hazard warning flashers will flash twice.

### ▼ Door unlock selection function

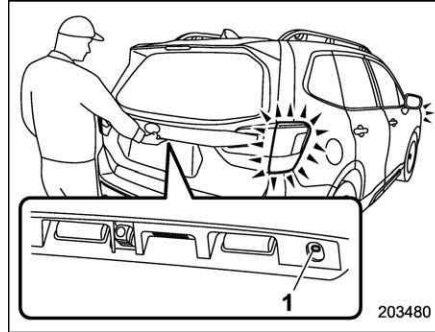
When the door is unlocked using the keyless access function, only the doors that were set can be unlocked.

The settings can be changed with the following methods.

- The setting can be changed by operating the combination meter display (color LCD). Refer to “Keyless Entry System” P201.
- The setting can be changed by a SUBARU dealer.

### ■ Unlock using PIN Code Access

When all doors including the rear gate are locked, you can unlock the doors (including rear gate) without a key by pressing the rear lock button.





1) Rear lock button

### NOTE

**PIN Code Access will be helpful if the key fob is accidentally left in the vehicle. It is recommended that a 5-digit security code (PIN code) be registered.**



**▼ Registration for a PIN code**

Steps	Operation	Time from the previous step
1	Turn off the ignition switch.	—
2	Close all doors (including rear gate).	—
3	Press and hold the “  ” button on the access key fob, and press and hold the rear lock button until a chirp sounds.	Within 5 seconds
4	Press and hold the “  ” button on the access key fob until a chirp sounds.	Within 30 seconds
5	The PIN code is inputted by using the rear lock button within 30 seconds after the chirp sound of step 4. For example, to register “32468” as the PIN code, perform the following procedure.	Within 30 seconds
	(1) Press the button three times.	
	(2) After a chirp sounds once, press the button twice.	
	(3) After a chirp sounds once, press the button four times.	
	(4) After a chirp sounds once (ding), press the button six times.	
(5) After a chirp sounds once (ding), press the button eight times.		
6	Perform step 5 again within approximately 30 seconds after the chirp starts sounding intermittently.	—
7	All doors will be unlocked and locked. Then the PIN code will be registered.	—

**NOTE**

Press the “” button within 30 seconds of step 6 to end the preparation mode and move on to the registration stage. Unless the “” button is pressed within 30 seconds after step 6, the PIN code registration will be canceled.

**NOTE**

- Press the rear lock button ten times to enter “0”.
- Change the PIN code frequently to protect your vehicle from theft.
- If you have lent your vehicle to another person, confirm that the PIN code has not been changed or deleted. If the PIN code has been changed or deleted, reregister a new PIN code.
- If you make an error during the registration procedure, press the “” or “” button on the access key fob. Then, start over from the procedure described in “Preparation for registering a PIN code”.
- To protect your vehicle from theft, you cannot register a string of the same five numbers together, such as “00000”, nor “12345” as a PIN code.
- Do not register your vehicle license plate number or simple numbers such as “11122” or “12121” as a PIN code. Doing so will increase the risk of vehicle theft.
- When you try to register “22222”, the registered PIN code will be deleted. You cannot unlock the doors by PIN Code Access until a new code is registered.
- After registering a new PIN code, make sure that you can unlock the doors using the PIN code.

- The PIN code cannot be deleted while the keyless access function is disabled by operating the access key fob.
- Reregister the PIN code in the following cases.
  - When you forget the PIN code.
  - When you want to change the PIN code.

**▼ Unlocking**

Perform step 5 described in “Registration for a PIN code”.

**NOTE**

- You cannot unlock by PIN Code Access in the following cases.
  - When the access key fob is within the operating ranges.
  - When the ignition switch is in the “ACC” or “ON” position.
- If you make an operation error during the unlocking procedure, start over with the unlocking procedure after waiting for 5 seconds or longer.
- To protect your vehicle from theft, a buzzer will sound if incorrect PIN codes are entered five times continuously. If this occurs, you cannot unlock the doors by PIN Code Access for 5 minutes.

**■ Power saving function**

The keyless access function will be disabled in the following cases to protect the access key fob battery and the vehicle battery.

- **Case 1:** When the keyless access function and the remote keyless entry system have not been used for 2 weeks or longer while all doors are locked.

Operate one of the following items to recover the keyless access function:

- Unlock the doors by any procedure other than gripping the front passenger’s door handle.
- Lock the doors.
- Open a door and then close it.

- **Case 2:** When the access key fob has been left in the operating range for 10 minutes or longer while all doors are locked.

Operate one of the following items to recover the keyless access function:



- Unlock the doors by gripping the door handle.
- Unlock the doors by pressing the rear gate opener button.
- Lock the doors by touching the door lock sensor.
- Lock or unlock the doors using the

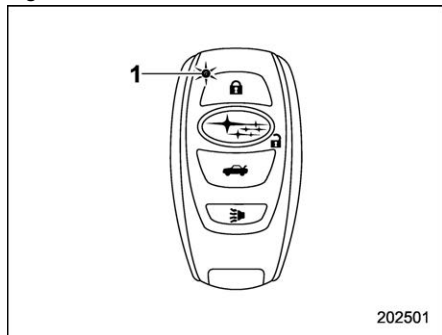
remote keyless entry system.

- Lock or unlock the doors using the power door locking switch.
- Open either of the front doors.

### ■ Power saving function of access key fob

This function stops the access key fob from receiving signals and helps minimize the battery consumption of the access key fob.

1. Press the “” button twice while holding the “” button.



1) LED indicator



2. Confirm that the LED indicator blinks 4 times to notify that the setting is complete. When the access key fob is in the power save mode, the keyless access function

and push-button start system will not be available.

To cancel the power save mode, press one of the buttons on the access key fob.

### ■ Disabling keyless access function




**If you wear an implanted pacemaker or an implanted defibrillator, perform the procedure described in “By operating the driver’s door”  P125 to disable the keyless access function. If you perform the procedure described in “By operating the access key fob”  P124, the operation of an implanted pacemaker or implanted defibrillator may be affected by the radio waves from the transmitter antenna.**

When the vehicle is not going to be used for a long time or when you choose not to use the keyless access function, the keyless access function can be disabled.


### NOTE

- **The locking and unlocking function by the remote keyless entry system is not disabled.**

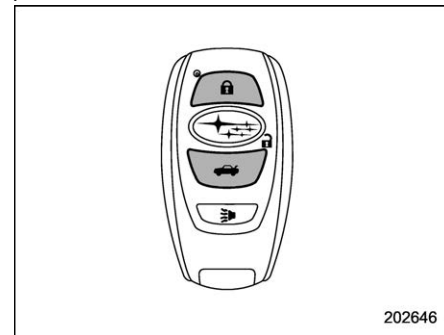
- **To start the engine while the functions are disabled, perform the procedure described in “Starting engine”  P452.**


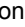
### ▼ Disabling functions

#### ▽ By operating the access key fob

If you have registered a PIN code for PIN Code Access, you can disable the keyless access function by operating the access key fob. For details about registering a PIN code, refer to “Unlock using PIN Code Access”  P121.

1. Open the driver’s door.
2. Rotate the lock lever toward the lock position.



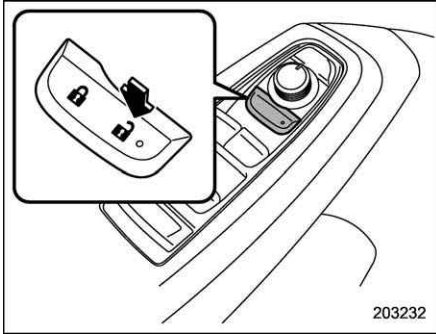
3. Press and hold the “” button and “” button on the access key fob simulta-






neously for more than 5 seconds.

A chirp will sound, and the function will be disabled.

▽ **By operating the driver's door**



## 126 Keyless access with push-button start system

Steps	Operation	Time from the previous step	Driver's door status
1	Sit in the driver's seat, and close the door.	—	Close
2	Push "  " of the power door locking switch.	—	Close
3	Open the driver's door.	Within 5 seconds	Close → Open
4	Push "  " of the power door locking switch twice.	Within 5 seconds	Open
5	Close and open the driver's door twice.	Within 10 seconds	Open → Close → Open → Close → Open
6	Push "  " of the power door locking switch twice while the door is open.	Within 10 seconds	Open
7	Close and open the driver's door once.	Within 10 seconds	Open → Close → Open
8	Close the door.	Within 5 seconds	Open → Close

A chirp will sound, and the functions will be disabled.

**NOTE**

In steps 4 and 6, press the power door locking switch slowly. If the switch is pressed quickly, the functions may not be disabled.

**▼ Enabling functions**

When the procedure to disable the functions is performed again, a chirp will sound, and the functions are enabled.

**NOTE**

- The keyless access function will be enabled only if you perform the procedure in the same manner used to disable the function (for example, when disabling by operating the driver's door, the function will not be enabled even if you operate the access key fob).
- Press the push-button ignition switch if you do not know the procedure in which the keyless access function was disabled.
  - When disabling by operating the driver's door: A chirp will not sound.
  - When disabling by operating the access key fob: A chirp will sound.

**■ Selecting audible signal operation**

Using an electronic chirp, the system will give you an audible signal when the doors lock and unlock. If desired, you may turn the audible signal off. For more details, contact a SUBARU dealer.

**NOTE**

The setting can be changed by operating the combination meter display (color LCD). For details, refer to "Vehicle Setting" ⒻP201.

**■ Warning chimes and warning indicator**

The keyless access with push-button start system sounds a warning chime and flashes the access key warning indicator on the combination meter in order to minimize improper operations and help protect your vehicle from theft.

For details, refer to "Warning chimes and warning indicator of the keyless access with push-button start system" ⒻP184.

**■ When access key fob does not operate properly**

Refer to "Access key fob – if access key fob does not operate properly" ⒻP451.

**■ Replacing battery of access key fob**

Refer to "Replacing battery of access key fob" ⒻP508.

**■ Replacing access key fob**

Access key fobs can be replaced by a SUBARU dealer. For more details, contact a SUBARU dealer.

**■ Certification for keyless access with push-button start system**

- U.S.-spec. models

FCC ID: HYQ14AHK

FCC ID: Y8PSSPIMB02

FCC ID: Y8PSU19S-3

**CAUTION****FCC WARNING**

Changes or modifications not expressly approved by the party responsible for compliance could void the user's authority to operate the equipment.

## NOTE

This device complies with part 15 of the FCC Rules. Operation is subject to the following two conditions: (1) This device may not cause harmful interference, and (2) this device must accept any interference received, including interference that may cause undesired operation.

- Canada-spec. models
  - Type 1

### NOTE

This device complies with Industry Canada's licence-exempt RSSs. Operation is subject to the following two conditions: (1) This device may not cause interference; and (2) This device must accept any interference, including interference that may cause undesired operation of the device.

### REMARQUE

Le présent appareil est conforme aux CNR d'Industrie Canada applicables aux appareils radio exempts de licence. L'exploitation est autorisée aux deux conditions suivantes: (1) l'appareil ne doit pas produire de brouillage; (2) l'utilisateur de l'appareil doit accepter tout brouillage radioélectrique subi, même si le brouillage est susceptible d'en compromettre le fonctionnement.

203161

- Type 2

### NOTE

This device contains licence-exempt transmitter(s)/receiver(s) that comply with Innovation, Science and Economic Development Canada's licence-exempt RSS(s). Operation is subject to the following two conditions:

- (1) This device may not cause interference.
- (2) This device must accept any interference, including interference that may cause undesired operation of the device.

### REMARQUE

L'émetteur/récepteur exempt de licence contenu dans le présent appareil est conforme aux CNR d'Innovation, Sciences et Développement économique Canada applicables aux appareils radio exempts de licence. L'exploitation est autorisée aux deux conditions suivantes :

- 1) L'appareil ne doit pas produire de brouillage;
- 2) L'appareil doit accepter tout brouillage radioélectrique subi, même si le brouillage est susceptible d'en compromettre le fonctionnement.

203833

- Mexico-spec. models

Este equipo opera a título secundario, consecuentemente, debe aceptar interferencias perjudiciales incluyendo equipos de la misma clase y puede no causar interferencias a sistemas operando a título primario.

500612

IFT  
RLVDE1415-1661  
14AHK  
DENSO

## 2-3. Immobilizer

The immobilizer system is designed to prevent an unauthorized person from starting the engine. Only keys registered with your vehicle's immobilizer system can be used to operate your vehicle. If engine start is attempted with an unregistered access key fob or key, the engine will not start. Even if the engine does start, it will stop after a few seconds. This system, however, is not a 100% anti-theft guarantee.



### CAUTION

- Do not place the key under direct sunlight or anywhere it may become hot.
- Do not get the key wet. If the key gets wet, wipe it dry with a cloth immediately.
- Do not modify or remove the system. If modified or removed, the proper operation of the system cannot be guaranteed.

## NOTE

● To protect your vehicle from theft, please pay close attention to the following security precautions:

- Never leave your vehicle unattended with its keys inside.
- Before leaving your vehicle, close all windows and the moonroof, and lock the doors and rear gate.
- Do not leave spare keys or any record of your key number in the vehicle.
- The vehicle has a maintenance-free type immobilizer system.

## ■ Security indicator light

Refer to “Security indicator light” ⓄP188.

## ■ Key replacement

Your key number plate will be required if you ever need a replacement key made. Any new key must be registered for use with your vehicle's immobilizer system before it can be used. The maximum number of keys that can be registered for use with one vehicle is as follows.

- Four (models without “keyless access with push-button start system”)
- Seven (models with “keyless access with push-button start system”)

One key that has already been registered is required in order to register a new key.

### NOTE

If you lose a key, the lost key's ID code still remains in the memory of the vehicle's immobilizer system. For security reasons, the lost key's ID code should be erased from the memory. To erase the lost key's ID code, all keys that will be used are required.

For details about new key registration and erasing the lost key's ID code, contact your SUBARU dealer.

### ■ Certification for immobilizer system

- For models with “keyless access with push-button start system”:

Refer to “Certification for keyless access with push-button start system” P127.

- For models without “keyless access with push-button start system”:

- U.S.-spec. models

FCC ID: Y8PFJ16-2



### CAUTION

#### FCC WARNING

Changes or modifications not expressly approved by the party responsible for compliance could void the user's authority to operate the equipment.

### NOTE

This device complies with part 15 of the FCC Rules. Operation is subject to the following two conditions: (1) This device may not cause harmful interference, and (2) this device must accept any interference received, including interference that may cause undesired operation.

- Canada-spec. models

### NOTE

This device complies with Industry Canada's licence-exempt RSSs. Operation is subject to the following two conditions: (1) This device may not cause interference; and (2) This device must accept any interference, including interference that may cause undesired operation of the device.

### REMARQUE

Le présent appareil est conforme aux CNR d'Industrie Canada applicables aux appareils radio exempts de licence. L'exploitation est autorisée aux deux conditions suivantes: (1) l'appareil ne doit pas produire de brouillage; (2) l'utilisateur de l'appareil doit accepter tout brouillage radioélectrique subi, même si le brouillage est susceptible d'en compromettre le fonctionnement.

203226

– Mexico-spec. models

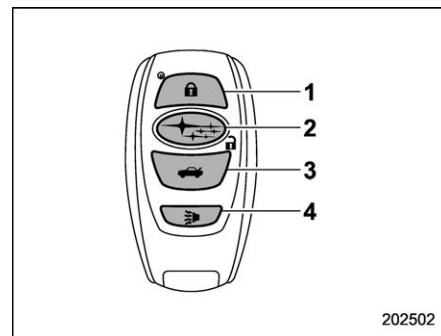
Este equipo opera a título secundario, consecuentemente, debe aceptar interferencias perjudiciales incluyendo equipos de la misma clase y puede no causar interferencias a sistemas operando a título primario.

500612

## 2-4. Remote keyless entry system

### CAUTION

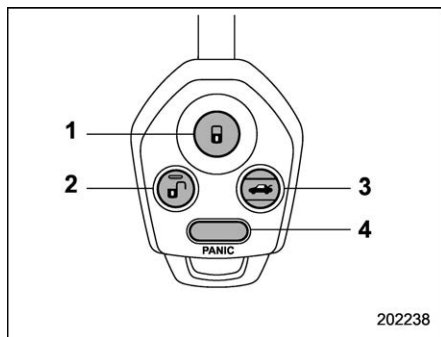
- Do not expose the remote transmitter to severe shocks, such as those experienced as a result of dropping or throwing.
- Do not take the remote transmitter apart except when replacing the battery.
- Do not get the remote transmitter wet. If it gets wet, wipe it dry with a cloth immediately.
- When you carry the remote transmitter on an airplane, do not press the button of the remote transmitter while in the airplane. When any button of the remote transmitter is pressed, radio waves are sent and may affect the operation of the airplane. When you carry the remote transmitter in a bag on an airplane, take measures to prevent the buttons of the remote transmitter from being pressed.



202502

#### Access key fob

- 1) Lock/arm button
- 2) Unlock/disarm button
- 3) Rear gate unlock button
- 4) PANIC button



**Transmitter**

- 1) Lock/arm button
- 2) Unlock/disarm button
- 3) Rear gate unlock button
- 4) PANIC button

The remote keyless entry system has the following functions.

- Locking and unlocking the doors, rear gate and fuel filler lid
- Unlocking the rear gate
- Sounding a panic alarm
- Arming and disarming the alarm system. For details, refer to “Alarm system” P139.

The operable distance of the remote keyless entry system is approximately 30 feet (10 meters). However, this distance will vary depending on environmental condi-

tions. The system’s operable distance will be shorter in areas near a facility or electronic equipment emitting strong radio waves such as a power plant, broadcast station, TV tower, or remote controller of home electronic appliances.

**NOTE**

- For models with “keyless access with push-button start system”, the remote keyless entry system will not be activated when the push-button ignition switch is in any position other than the “OFF” position.
- For models without “keyless access with push-button start system”, the remote keyless entry system will not be activated when the key is inserted in the ignition switch.
- The hazard warning flashers will flash once or twice when the access key fob/transmitter button is pressed in the following cases.
  - When locking the doors
  - When unlocking the doors
  - When unlocking the rear gate

**Operation of the hazard warning flashers in the above cases can be set to “On” or “Off” by a SUBARU dealer. Consult your SUBARU dealer for details.**

**Locking the doors**

Press the lock/arm button to lock all doors, the rear gate and fuel filler lid. An electronic chirp will sound once and the hazard warning flashers will flash once.

If any of the doors (or the rear gate) are not fully closed, the following will occur to alert you that the doors (or the rear gate) are not properly closed.

- An electronic chirp sounds five times.
- The hazard warning flashers flash five times.

When you close the door, it will automatically lock and then the following will occur.

- An electronic chirp sounds once.
- The hazard warning flashers flash once.

**Unlocking the doors**

Press the unlock/disarm button to unlock the driver’s door and fuel filler lid. An electronic chirp will sound twice and the hazard warning flashers will flash twice. To unlock all doors and the rear gate, briefly press the unlock/disarm button a second time within 5 seconds.



**NOTE**

If the interval between the first and second presses of the unlock/disarm button (for unlocking of all of the doors and the rear gate) is extremely short, the system may not respond.

**■ Unlocking the rear gate**

Press the rear gate unlock button to unlock the rear gate.

An electronic chirp will sound twice and the hazard warning flashers will flash twice.

**■ Vehicle finder function**

Use this function to find your vehicle parked among many vehicles in a large parking lot. Provided you are within 30 feet (10 meters) of the vehicle, pressing the lock/arm button three times in a 5-second period will cause your vehicle's horn to sound once and its hazard warning flashers to flash three times.

**NOTE**

If the interval between presses is too short when you press the lock/arm button three times, the system may not respond to the signals from the remote transmitter.

**■ Sounding a panic alarm**

To activate the alarm, press the "PANIC" button once.

The horn will sound and the hazard warning flashers will flash.

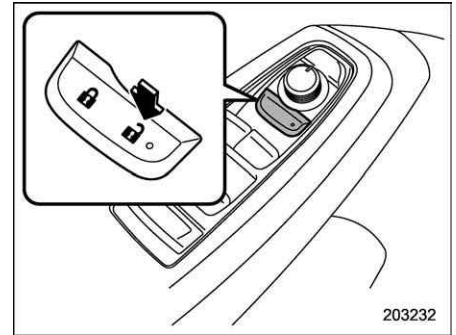
To deactivate the panic alarm, press any button on the remote transmitter. Unless a button on the remote transmitter is pressed, the alarm will be deactivated after approximately 30 seconds.

**■ Setting audible signal operation (models without "keyless access with push-button start system")**

Using an electronic chirp, the system will give you an audible signal when the doors lock and unlock. If desired, you may turn the audible signal off.

Perform the following steps to deactivate the audible signal. You can also use the same steps to restore the function.

1. Sit in the driver's seat and shut all doors and the rear gate.



2. Press and hold the "⏏" of the power locking switch and pull the key out and reinsert it into the ignition switch at least 6 times within 10 seconds after Step 2.

3. Open and close the driver's door once within 10 seconds after Step 3. The hazard warning flashers flash 3 times to indicate completion of the setting.

Your SUBARU dealer can perform the above procedure for you. Also, for models with a combination meter display (color LCD), the setting can be changed using the display. For details, refer to "Vehicle Setting" P201.

## ■ Replacing the battery

Refer to “Replacing key battery” P508.

## ■ Replacing lost transmitters

If you lose a transmitter or want to purchase additional transmitters (up to four can be programmed), your transmitters should be reprogrammed for security reasons. For details, contact your SUBARU dealer and have the transmitters programmed into the remote keyless entry system.

## ■ Certification for remote keyless entry system

### ▼ U.S.-spec. models

FCC ID: CWTB1G077

FCC ID: CWTD1G141



**CAUTION**

### FCC WARNING

Changes or modifications not expressly approved by the party responsible for compliance could void the user's authority to operate the equipment.

## NOTE

This device complies with part 15 of the FCC Rules. Operation is subject to the following two conditions: (1) This device may not cause harmful interference, and (2) this device must accept any interference received, including interference that may cause undesired operation.

## ▼ Canada-spec. models

### NOTE

This device complies with Industry Canada's licence-exempt RSSs. Operation is subject to the following two conditions: (1) This device may not cause interference; and (2) This device must accept any interference, including interference that may cause undesired operation of the device.

### REMARQUE

Le présent appareil est conforme aux CNR d'Industrie Canada applicables aux appareils radio exempts de licence. L'exploitation est autorisée aux deux conditions suivantes: (1) l'appareil ne doit pas produire de brouillage; (2) l'utilisateur de l'appareil doit accepter tout brouillage radioélectrique subi, même si le brouillage est susceptible d'en compromettre le fonctionnement.

203226

### ▼ Mexico-spec. models

La operación de este equipo está sujeta a las siguientes dos condiciones:

- (1) es posible que este equipo o dispositivo no cause interferencia perjudicial y
- (2) este equipo o dispositivo debe aceptar cualquier interferencia, incluyendo la que pueda causar su operación no deseada.

202642

IFETEL RLVSTB15-1814  
SUBARU  
MODEL: TB1G077

IFETEL RLVSDTD18-0302  
SUBARU  
MODEL: TD1G141

## 2-5. Door locks

### ■ Locking and unlocking from the outside

#### NOTE

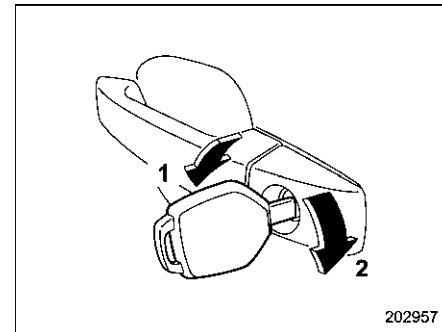
If you unlock the driver's door with a key (including an emergency key) and open the door while the alarm system is armed, the alarm system is triggered and the vehicle's horn sounds. In this case, perform any of the following operations:

- Models with "keyless access with push-button start system":
  - Press any button on the access key fob (except when the access key fob battery is discharged).
  - Press the push-button ignition switch to "ACC".
  - Carry the access key fob and perform either of the following procedures.
    - Grip the front door handle.
    - Press the rear gate opener button.
- Models without "keyless access with push-button start system":
  - Press any button on the remote transmitter (except when the transmitter battery is discharged).

- Insert the key into the ignition switch and turn the ignition switch to "ON".

For details about the alarm system, refer to "Alarm system" P139.

### ▼ How to lock and unlock the vehicle using the key



202957

- 1) Rotate the key toward the front to lock.
- 2) Rotate the key toward the rear to unlock.

In this case, only the driver's side door is locked or unlocked.

#### NOTE

Models with "keyless access with push-button start system":

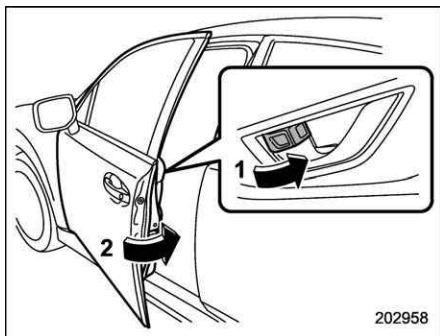
The emergency key is directional. If the key cannot be inserted, change the

direction that the grooved side is facing and insert it again.

#### ▼ How to lock the vehicle without using the key

To lock the door from outside without the key, the following methods are available.

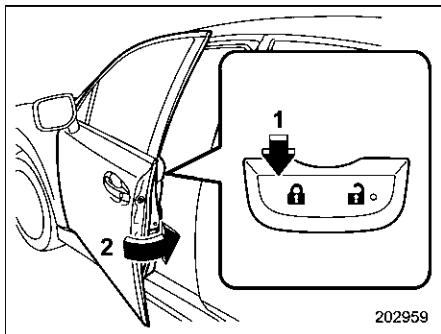
##### ▽ Locking using lock lever



- 1) Rotate the lock lever forward.
- 2) Close the door.

In this way, only the door that was operated will be locked.

##### ▽ Locking using power door locking switch



- 1) Press the lock side of the power door locking switch.\*
- 2) Close the door.

\*: For details about the power door locking switch, refer to "How to operate the power door locking switches" P137.

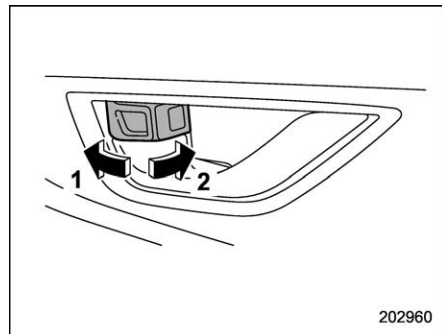
In this case, all closed doors, the rear gate and fuel filler lid are locked at the same time.

#### NOTE

**Make sure that you do not leave the key inside the vehicle when locking the doors from the outside without the key.**

#### ■ Locking and unlocking from the inside

##### ▼ How to use the lock lever



- 1) Rotate the lock lever rearward to unlock.
- 2) Rotate the lock lever forward to lock.

Always make sure that all doors and the rear gate are closed before starting to drive.

The red mark on the lock lever appears when the door is unlocked.

Pull the inside door handle to open an unlocked door.

**WARNING**

- Keep all doors locked when you drive, especially when small children are in your vehicle.

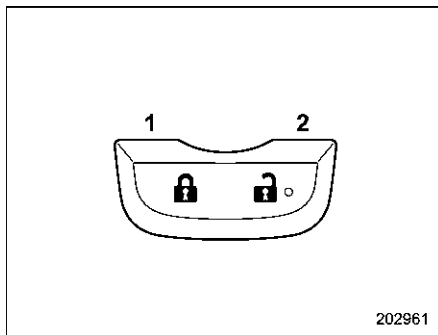
Along with the proper use of seatbelts and child restraints, locking the doors reduces the chance of being thrown out of the vehicle in an accident.

It also helps prevent passengers from falling out if a door is accidentally opened, and intruders from unexpectedly opening doors and entering your vehicle.

- Do not pull the front door handle from inside while driving. The door could open even if it is locked.

### ▼ How to operate the power door locking switches

All doors, the rear gate and fuel filler lid can be locked and unlocked using the power door locking switches located on the driver's side and the front passenger's side doors.

**Example**

- 1) Press to lock.
- 2) Press to unlock.

**NOTE**

Make sure that you do not leave the key inside the vehicle before locking the doors from the outside using the power door locking switches.

### ■ Automatic door locking/unlocking


All doors, rear gate and the fuel filler lid are automatically locked or unlocked under the following conditions.

- For automatic door locking
  - When the vehicle speed reaches 12 mph (20 km/h) or higher (factory

default setting).

- When the select lever is shifted into a position other than the “P” position.
- For automatic door unlocking
  - When the driver's door is open (factory default setting).
  - When the ignition switch is turned to OFF.
  - When the select lever is shifted into the “P” position.

**NOTE**

- The user can change the automatic door locking/unlocking setting with the combination meter. Refer to “Menu screens” P200.
- When locking the door by operating power door locking switches, automatic door locking will not operate.
- When unlocking the door by operating power door locking switches, automatic door unlocking will not operate.
- When getting out of the vehicle from a rear door, make sure to unlock all the doors by pushing the unlock side of the power door locking switch. If a rear door is unlocked from the inside door lever then the door is opened and closed, the Key lock-in prevention function will be triggered. All doors will be unlocked, the Key lock-in prevention warning indicator “” will appear and

the warning chime will also sound.


## ■ Key lock-in prevention function

Under the following conditions, all the doors will not lock when the door lock switch is pushed with the front door open.

- The key is still in the ignition switch (models without “keyless access with push-button start system”).
- The ignition switch is in the “ACC” or “ON” position (models with “keyless access with push-button start system”).

### NOTE

- When leaving the vehicle, make sure you are holding the key before locking the doors.
- The factory setting (default setting) for this function is set as “operational”. This function’s operational/non-operational setting can be changed by a SUBARU dealer. Contact a SUBARU dealer for details.
- When getting out of the vehicle from a rear door, make sure to unlock all the doors by pushing the unlock side of the power door locking switch. If a rear door is unlocked from the inside door lever then the door is opened and closed, the Key lock-in prevention

function will be triggered. All doors will be unlocked, the Key lock-in prevention warning indicator “” will appear and the warning chime will also sound.

### ▼ Non-operation of key lock-in prevention function

When the system is set so that it does not operate, the doors are locked by the following operation.

- If the lock lever is turned to the front (“LOCK”) position with the driver’s door open and the driver’s door is then closed with the lock lever in that position, the driver’s door is locked.
- If the spare key is used to lock the driver’s door from the outside of the vehicle, the door is locked.

## ■ Battery drainage prevention function

If a door or the rear gate is not completely closed, the interior lights will remain illuminated as a result. However, several lights are automatically turned off by the battery drainage prevention function to prevent the battery from discharging. The following interior lights are affected by this function.

Item	Switch position	Automatically turning off
Map lights	DOOR	Approximately 20 minutes later
Dome light	DOOR	Approximately 20 minutes later
Ignition switch light	—	Approximately 20 minutes later
Cargo area light	DOOR	Approximately 20 minutes later
Rear gate light (if equipped)	DOOR	Approximately 20 minutes later

### NOTE

- The default setting for this function is set as “operational”. The operational/non-operational setting of this function can be changed by a SUBARU dealer. Contact your SUBARU dealer to change the setting.
- When leaving the vehicle, please make sure that all doors and the rear gate are completely closed.
- The battery drainage prevention function does not operate while the key is in the ignition switch.

## 2-6. Alarm system

The alarm system helps to protect your vehicle and valuables from theft. The horn sounds and the hazard warning flashers flash if someone attempts to break into your vehicle.

### For models with “keyless access with push-button start system”:

The system can be armed or disarmed with the keyless access function or access key fob.

The system will not be activated when the push-button ignition switch is in the “ACC” or “ON” position.

### For models without “keyless access with push-button start system”:

The system can be armed or disarmed with the remote transmitter.

The system will not be activated when the key is inserted into the ignition switch.

Your vehicle’s alarm system has been set for activation at the time of shipment from the factory. You can set the system for deactivation yourself or have it done by your SUBARU dealer.

### ■ Alarm system operation

When the alarm system is armed, it is triggered by the opening any of the doors, the rear gate or engine hood.

The alarm system will activate the following alarms when triggered.

- The vehicle’s horn will sound for 30 seconds.
- The hazard warning flashers will flash for 30 seconds.

If any of the doors, the rear gate or engine hood remains open after the 30-second period, the horn will continue to sound for a maximum of 3 minutes. If the door, rear gate or engine hood is closed while the horn is sounding, the horn will stop sounding with a delay of up to 30 seconds.

### NOTE

**The alarm system can be set to trigger the illumination of the following interior lights.**

- **Map lights (illuminates only when the door interlock switch is in the “DOOR” position)**
- **Dome light (illuminates only when the dome light switch is in the “DOOR” position)**
- **Cargo area light (illuminates only when the cargo area light switch is in the “DOOR” position)**

The notifications regarding the map lights, dome light and cargo area light are deactivated as the factory setting. A SUBARU dealer can activate the system. Contact your SUBARU dealer for details.

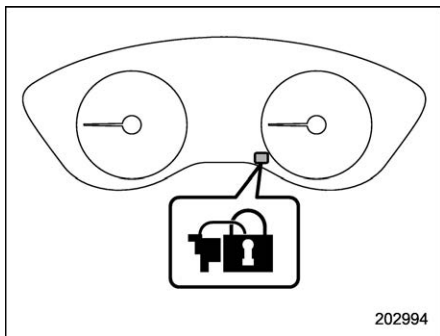
### ■ Arming the system

The alarm system becomes armed when the following operation is performed.

1. Close all windows and the moonroof (if equipped) and turn the ignition switch to the “OFF” position.
2. Carry the key and get out of the vehicle.
3. Make sure that the engine hood is locked.
4. Lock the doors using any of the following methods.

- Locking using the remote keyless entry system. For details, refer to “Remote keyless entry system” P131.
- Locking using the keyless access function (if equipped). For details, refer to “Locking with the door lock sensor” P119.
- Locking using the power door locking switch. For details, refer to “Locking using power door locking switch” P136.

- Locking using the rear lock button. For details, refer to “Locking with the rear lock button” P119.
- Locking using the power rear gate lock button. For details, refer to “Locking with the power rear gate lock button” P120.



Security indicator light

**NOTE**

- All doors, the rear gate and fuel filler lid will lock, an electronic chirp will sound once, the hazard warning flashers will flash once, and the security indicator light will start flashing rapidly.
- If any of the doors or the rear gate is not fully closed, an electronic chirp sounds five times and the hazard

warning flashers flash five times to alert you that the doors (or the rear gate) are not properly closed. When you close the door, doors will automatically lock and the system will automatically arm in 30 seconds.

5. Approximately 30 seconds later, the system will enter surveillance state.

When the system is in surveillance state, the security indicator light will then flash slowly (twice approximately every 2 seconds), indicating that the system has been armed for surveillance.

**NOTE**

- The system can be armed even if the windows and/or moonroof are open. Always make sure that they are fully closed before arming the system.
- The 30-second standby time can be eliminated if you prefer. Have it performed by your SUBARU dealer.
- If any of the following actions is done during the standby period, the system will not switch to the surveillance state.
  - Doors (including the rear gate) are unlocked using the access key fob/remote transmitter.
  - Doors (including the rear gate) are unlocked using the keyless

access function (models with “keyless access with push-button start system”).

- Any door (including the rear gate and engine hood) is opened.
- The ignition switch is turned to the “ON” position (models without “keyless access with push-button start system”).
- Push-button ignition switch is turned to the “ACC” position (models with “keyless access with push-button start system”).

**Disarming the system**

Perform either of the following procedures.

- Briefly press a button (for less than 2 seconds) on the access key fob/remote transmitter.
- Carry the access key fob and perform either of the following procedures (models with “keyless access with push-button start system”).
  - Grip the front door handle.
  - Press the rear gate opener button.
  - Unlock using the PIN code access.

The flashing of the security indicator light will then change slowly (once approximately every 3 seconds from twice approximately every 2 seconds), indicating that the alarm system has been disarmed.



### ▼ Emergency disarming

If you cannot disarm the system using the access key fob/transmitter (i.e., the transmitter is lost, broken or the transmitter battery is too weak), you can disarm the system without using the access key fob/remote transmitter.

The system can be disarmed if you turn the ignition switch from the “LOCK”/“OFF” position to the “ON” position with a registered key/access key fob.

### NOTE


For models with “keyless access with push-button start system”, if the access key fob battery is discharged, perform the procedure described in “Switching power status” [P452](#). In such a case, replace the battery immediately. Refer to “Replacing battery of access key fob” [P508](#).

### ■ Alarm system setting

To change the setting of your vehicle’s alarm system for activation or deactivation, do the following.

1. Disarm the alarm system. Refer to “Disarming the system” [P140](#).
2. Sit in the driver’s seat and shut all doors, the rear gate and engine hood.

3. Turn the ignition switch to the “ON” position.

4. Hold down “

#### ● Type A combination meter

Setting status	Combination meter display	Horn
Activate	AL on	Once
Deactivate	AL off	Twice

#### ● Type B combination meter

Setting status	Combination meter display	Horn
Activate	AL ON	Once
Deactivate	AL OFF	Twice

### NOTE

You may have the above setting change done by your SUBARU dealer.

### ■ If you have accidentally triggered the alarm system

#### ▼ To stop the alarm

Do any of the following operations:

- Press any button on the access key fob/remote transmitter.

- Turn the ignition switch to the “ON” position (models without “keyless access with push-button start system”).
- Turn the push-button ignition to the “ACC” position (models with “keyless access with push-button start system”).

### NOTE

**Only registered keys will stop the alarm. If the immobilizer transponder is not registered, the alarm will not stop.**

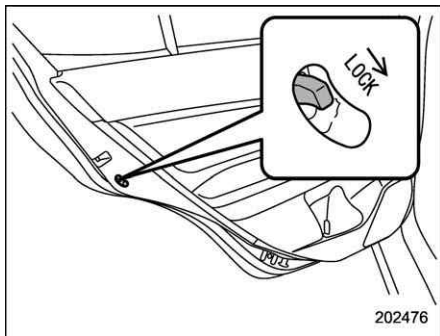
### ■ Valet mode

When you choose the valet mode, the alarm system does not operate. In valet mode, the remote transmitter is used only for locking and unlocking the doors and rear gate and panic activation.

To enter the valet mode, change the setting of your vehicle’s alarm system to deactivation mode. Refer to “Alarm system setting” [P141](#). The security indicator light will continue to flash once every 3 seconds, indicating that the system is in the valet mode.

To exit valet mode, change the setting of your vehicle’s alarm system to activation mode. Refer to “Alarm system setting” [P141](#).

## 2-7. Child safety locks



Each rear door has a child safety lock. When the child safety lock lever is in the lock position, the door cannot be opened from the inside. The door can only be opened from the outside.

### WARNING

Always turn the child safety locks to the “LOCK” position when children sit in the rear seat. Serious injury could result if a child accidentally opens the door and falls out.

## 2-8. Windows

### WARNING

To avoid serious personal injury caused by entrapment, always conform to the following instructions without exception.

- When operating the power windows, be extremely careful to prevent anyone’s body parts or any other objects from being caught in the window.
- Always lock the passengers’ windows using the lock switch when children are riding in the vehicle.
- Always carry the key when you leave the vehicle for safety reasons and never allow an unattended child to remain in the vehicle. Failure to follow this procedure could result in injury to a child operating the power window.

### NOTE

- If the power window system detects resistance, an impact or abnormality, the window operation may be automatically stopped to prevent further jam-

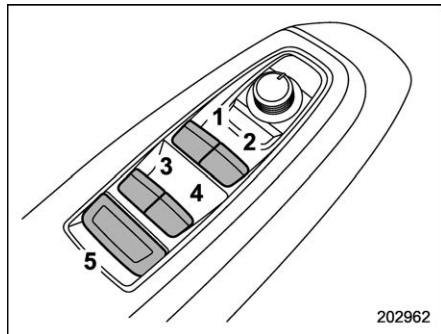
ming, entrapment or malfunction.

- The closing window slides down slightly and stops.
- The opening window stops sliding down.
- The power window system may detect resistance, an impact or an abnormality in the following cases.
  - A substantial sized object is caught between the window and the window frame.
  - A foreign object is caught between the window and the window frame.
  - The vehicle drives over a deep pothole.
- The window cannot be closed for a few seconds after the window is automatically stopped by the system.

## ■ Power window operation

### ▼ Power window switches

- Driver's side power window switches:

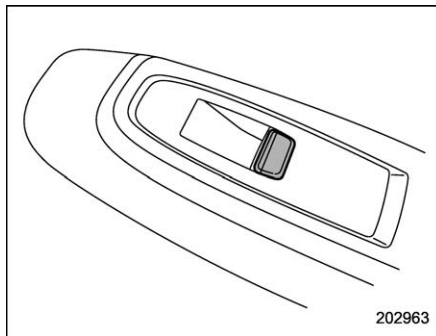


- 1) For front left window (with one-touch auto up and down feature)
- 2) For front right window (with one-touch auto up and down feature (if equipped))
- 3) For rear left window
- 4) For rear right window
- 5) Lock switch

All door windows can be controlled by the power window switch cluster on the driver side door.

These switches illuminate when activated.

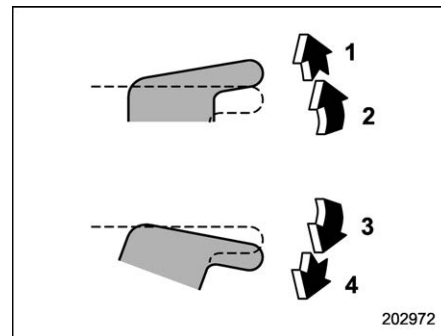
- Passenger's side power window switches:



Each passenger's window can be controlled by the power window switch located on the door.

These switches illuminate when activated.

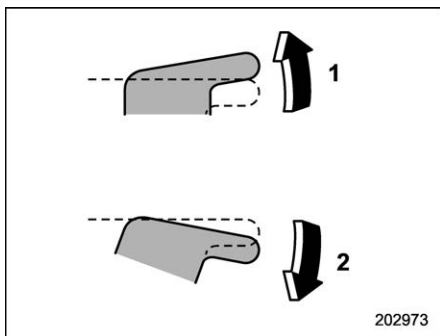
### ▼ Operating the window



#### With one-touch auto up and down feature

- 1) Automatically close\*
- 2) Close
- 3) Open
- 4) Automatically open\*

\*: To stop the window halfway, operate the switch to the opposite side.



Without one-touch auto up and down feature

- 1) Close
- 2) Open

## NOTE

Avoid the following.

- Continuously operating a switch in the same direction after the window is fully closed or fully opened.
- Continuously operating three or more switches all at once in the same direction after the windows are fully closed or fully opened.

Either of the operations described above may cause the power window breaker to operate making it impossible to open or close the window. Be sure to initialize the power windows. Refer to

“Initialization of power window (windows with off delay function)” P145.

### ▼ Anti-entrapment function (windows with one-touch auto up and down function)

While closing the window automatically, if the window senses a substantial enough object trapped between the window and the window frame, it automatically moves down slightly and stops.

If a foreign object is caught while window is opening automatically, the window will stop.



## CAUTION

- Never attempt to test the power window operation using body parts.
- If an object is caught just before the window fully closes, the system may not operate properly.

## NOTE

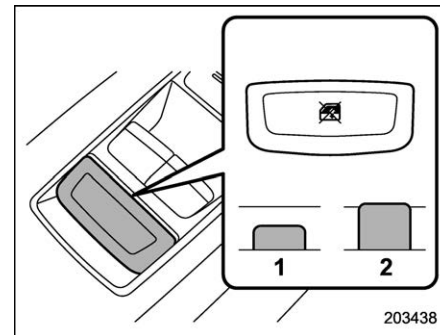
- If a window detects an impact similar to that caused by trapping an object (for example, when the vehicle encounters a deep pothole), the anti-entrapment function may operate.

- You cannot close the window for a few seconds after the anti-entrapment function operates.

### ▼ Off delay function (if equipped)

The windows can be operated for approximately 40 seconds even after the ignition switch is turned to the “ACC” or “OFF” position. If a front door is opened within 40 seconds, the off delay function is canceled.

### ▼ Locking the passengers’ windows



- 1) Lock
- 2) Unlock

The lock switch is in the lock position, the rear windows cannot be operated by the driver’s side switches. The passenger’s side switches and the rear seat side switches are not operational either.

When the indicator on the window switches does not illuminate, the window switch cannot be operated.

## ■ Initialization of power window (windows with off delay function)

If the one-touch auto up and down function or off delay function does not operate properly, operate each window according to the following procedure in order to initialize the power window system.

1. Close the door.
2. Turn the ignition switch to the "ON" position.
3. Open the window completely and then press and hold down the power window switch for approximately 1 second.
4. Close the window completely and then pull and hold the power window switch for approximately 1 second.

## 2-9. Rear gate

### ⚠ CAUTION

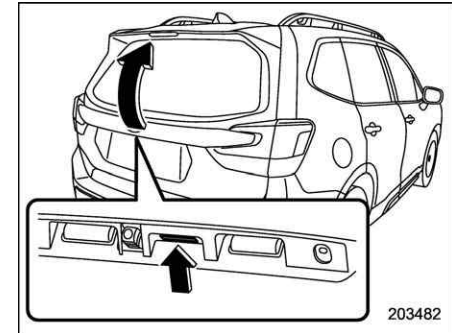
When loading and unloading cargo, be careful not to come in contact with the hot engine exhaust gas or the exhaust pipe, because they could burn you.

### ■ Manual rear gate

The rear gate can be locked and unlocked using any of the following systems.

- Power door locking switch: Refer to "Locking and unlocking from the inside" ☞P136.
- Keyless access with the push-button start system (if equipped): Refer to "Keyless access with push-button start system" ☞P113.
- Remote keyless entry system: Refer to "Remote keyless entry system" ☞P131.
- Automatic door locking/unlocking: Refer to "Automatic door locking/unlocking" ☞P137.

To open:



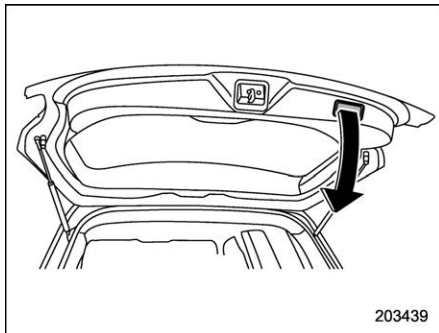
Rear gate opener button

1. Unlock the rear gate.
2. Press and hold the rear gate opener button. The rear gate will open slightly.
3. Hold the rear gate and lift it up slowly.

### NOTE

If the rear gate cannot be opened due to a discharged vehicle battery, a malfunction in the door locking/unlocking system or other causes, the rear gate can be unlocked by manually operating the rear gate lock release lever. For the procedure, refer to "Rear gate – if the rear gate cannot be opened" ☞P453.

To close:



Lower the rear gate slowly and push down firmly until the latch engages.

The rear gate can be lowered easily if you pull it down holding the handle.

**WARNING**

- To prevent dangerous exhaust gas from entering the vehicle, always keep the rear gate closed while the engine is running.
- Do not attempt to shut the rear gate while holding the handle.

- Do not close the rear gate by pulling the handle from inside the cargo space. There is a danger of your hand being caught and injured.

**CAUTION**

- Do not jam a plastic bag in or place cellophane tape on the rear gate stays or scratch the stays while loading or unloading cargo. Doing so could cause leakage of gas from the stays, which may result in their inability to hold the rear gate open.
- Be careful not to hit your head or face on the rear gate when opening or closing the rear gate and when loading or unloading cargo.

**Power rear gate (if equipped)**

**WARNING**

- When operating the power rear gate, observe the following precautions. Ignoring the precautions may result in an injury (e. g., anyone's body is hit against the rear gate or is caught in the rear gate, etc.)
  - Make sure there are no people around the rear gate.
  - Never let anyone get close to the rear gate.
- When closing the rear gate, be sure to prevent anyone's body parts or any other objects from being caught in the rear gate. Otherwise, serious personal injury may be caused by entrapment.
- After opening the rear gate on a slope using the power rear gate feature, the rear gate may close. Make sure that the rear gate has stopped completely after opening it.
- When leaving the vehicle, always carry the key for safety and never allow an unattended child to

remain in the vehicle. Doing so could result in injury to the child operating the power rear gate.

- The driver should be aware of and pay careful attention to his/her responsibilities.
- Use the power rear gate only when the area around the rear gate is clearly visible and when you have checked that there is no danger of people being caught in the gate.



### CAUTION

- When closing the rear gate after opening it, make sure to use the power rear gate. If the rear gate is closed manually with extra force, the power rear gate may be damaged.
- Do not install any accessories other than genuine SUBARU parts on the rear gate. If the weight of rear gate increases excessively, the rear gate stays cannot support the rear gate sufficiently when opening the rear gate. Also, the power rear gate may not function properly or may malfunction.

The power rear gate operates only when all of the following conditions are satisfied.

- The vehicle is stopped completely.
- The outside temperature is within a range of  $-22^{\circ}\text{F}$  to  $140^{\circ}\text{F}$  (from  $-30^{\circ}\text{C}$  to  $60^{\circ}\text{C}$ ).
- The ignition switch is in the "LOCK"/"OFF" or "ACC" position. Or, the ignition switch is in the "ON" position and the select lever is in the "P" position.

We recommend using the power rear gate function in most circumstances instead of manual operation.

### NOTE

- Do not press the power rear gate button repeatedly while the power rear gate is operating. Otherwise, the system may ignore the button operation in order to avoid being damaged.
- If the vehicle starts to move while the power rear gate is operating, the system sounds a buzzer and closes the rear gate automatically. At this time, if the system detects jamming, it will deactivate the power rear gate and the rear gate will not be closed. If this occurs, close the rear gate manually. For details, refer to "Manual rear gate" P145.

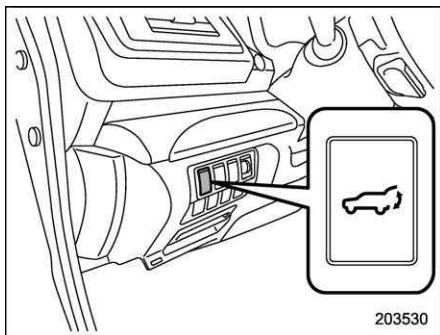
- If you try to open the rear gate using the power rear gate function immediately after closing the rear gate using the power rear gate function, an electronic chirp will sound and the rear gate will not open. Wait for a while before trying to open the rear gate via the power rear gate function.
- If either of the operating conditions has not been satisfied while operating the power rear gate, an electronic chirp will sound and the power rear gate will be deactivated. In this case, the rear gate may stop opening or closing suddenly.

### ▼ Operation

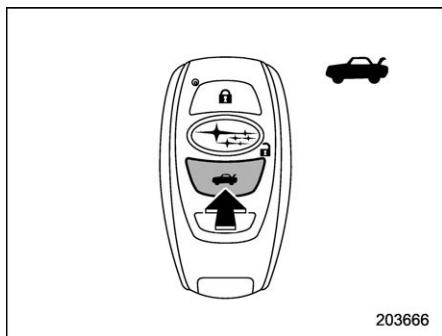
### NOTE

- The rear gate will remain unlocked even after closing it. Always lock the rear gate when leaving the vehicle.
- If you cannot open/close the rear gate by performing the operation described here, a short electronic chirp will sound three times (beep, beep, beep).

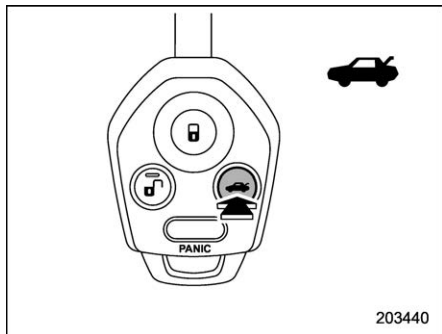
- ▽ By the power rear gate button (other than the buttons on the rear gate)



Power rear gate button on the instrument panel



Power rear gate button on the access key fob



Power rear gate button on the transmitter


**To open the rear gate:**

Press and hold the power rear gate button when the rear gate is closed. The rear gate

will open automatically. Then an electronic chirp and the hazard warning flashers will operate as follows:

- When operating the power rear gate button on the instrument panel/transmitter: sounds and flashes twice.
- When operating the power rear gate button on the access key fob: sounds and flashes four times.

**NOTE**

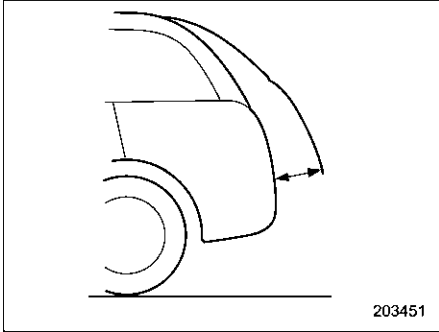
- If the rear gate cannot be opened by operating the power rear gate button on the instrument panel, unlock it with the keyless access function or the remote keyless entry system. Then, it will be possible to open the power rear gate using the power rear gate button on the instrument panel.
- The factory setting (default setting) of the operation for the “” button on the access key fob or the transmitter is pressing and holding. This setting can be changed to non-operation or pressing twice at SUBARU dealers. For more details, contact a SUBARU dealer.

**To pause the opening rear gate:**

Briefly press the power rear gate button while the rear gate is being opened. Then an electronic chirp will sound twice and the hazard warning flashers will flash twice.



If you press the power rear gate button again, the rear gate will close.  
You can open the rear gate by pressing the power rear gate button briefly while the rear gate is being closed.




### NOTE

The rear gate cannot be paused when it is in the approximately 2 in (5 cm) range from the fully closed position. The system will ignore any button operation and the rear gate will continue to open.

### To close the rear gate:

Press and hold the power rear gate button. Then an electronic chirp will sound twice and the hazard warning flashers will flash twice. If you briefly press the power rear gate button again, the rear gate will open.

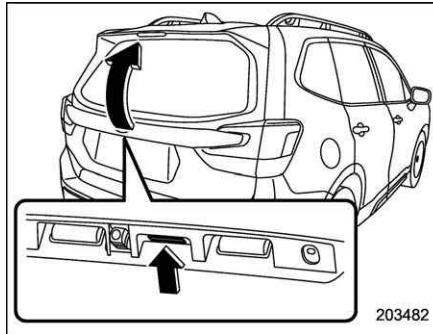
### NOTE

The factory setting (default setting) of the operation for the “” button on the access key fob or the transmitter is pressing and holding. This setting can be changed to non-operation or pressing twice at SUBARU dealers. For more details, contact a SUBARU dealer.

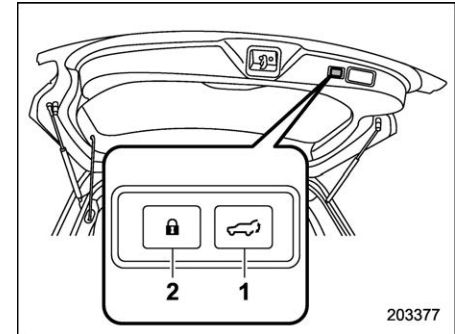
▽ By the buttons on the rear gate

### NOTE

After performing the following procedures, an electronic chirp will sound twice and the hazard warning flashers will flash twice.



Rear gate opener button



Power rear gate button on the inside edge of the rear gate

- 1) Power rear gate button
- 2) Power rear gate lock button

### To open the rear gate:

1. For models with “keyless access with push-button start system”, carry the access key fob. For models without “keyless access with push-button start system”, unlock the rear gate.
2. Briefly press the rear gate opener button when the rear gate is closed.

The rear gate will open automatically.

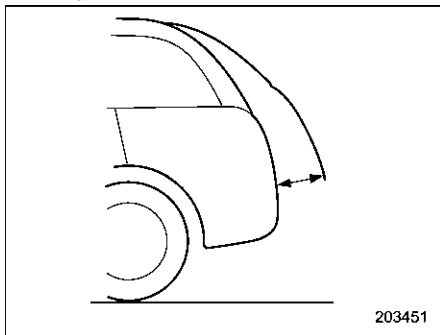
### To pause the opening rear gate:

Briefly press either of the following buttons while the rear gate is being opened.

- Rear gate opener button

- Power rear gate button on the inside edge of the rear gate

If you press the power rear gate button again, the rear gate will close. You can open the rear gate by pressing the power rear gate button briefly while the rear gate is being closed.



### NOTE

The rear gate cannot be paused when it is in the approximately 2 in (5 cm) range from the fully closed position. The system will ignore any button operation and the rear gate will continue to open.

### To close the rear gate:

Briefly press either of the following buttons.

- Rear gate opener button
- Power rear gate button on the inside edge of the rear gate

If you press the power rear gate button again, the rear gate will open.

### To Lock the doors using the power rear gate lock button:

Carry the access key fob, and press the power rear gate lock button. All doors, the rear gate and the fuel filler lid are locked, and the rear gate will be closed. Also, the hazard warning flashers will flash once, and an electronic chirp will sound once.

### NOTE

- By pushing the power rear gate lock button for more than 2 seconds, all doors are locked, however, the auto door closing function of the rear gate will be canceled.
- If any of the doors is not fully closed, the outside warning chime sounds five times to alert you that the doors are not properly closed.

### ▽ By manual operation

#### To open the rear gate:

Lift up the rear gate, when the rear gate at midway position. The rear gate will open automatically.

#### To close the rear gate:

Pull down the rear gate when the rear gate is opened. The rear gate will close automatically.

### NOTE

- If the rear gate is moved slowly, it may not operate automatically open or close.
- When leaving the vehicle, make sure that all doors and the rear gate are completely locked.

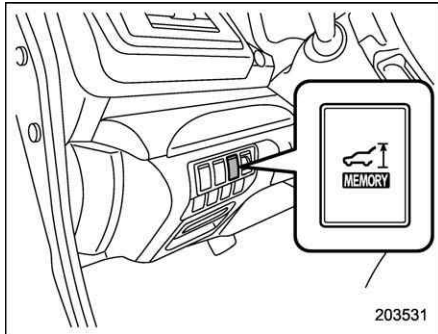
### ▼ Manual operation

### NOTE

Using the power rear gate operation is recommended. Manual operation will require physical effort.

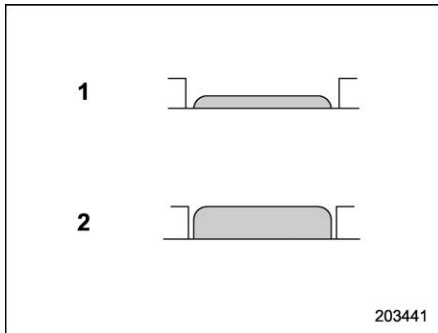
The power rear gate can be closed manually. Refer to "Manual rear gate" P145.

## ▼ Memory function



203531

Memory switch



203441

Memory switch status

- 1) ON status
- 2) OFF status

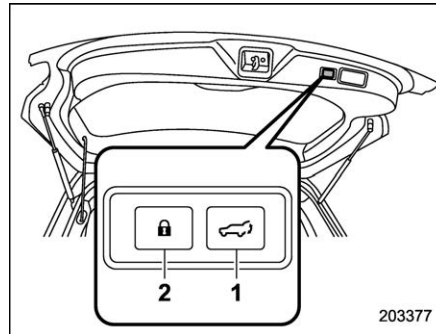
Your desired rear gate height can be

registered.

### Registration of the rear gate height:

To register the rear gate height, perform the following procedures.

1. Open the rear gate using the power rear gate function.
2. With the rear gate at the desired height, stop it using the power rear gate function.
3. Press the memory switch to select the "ON" status.



203377

### Power rear gate button on the inside edge of the rear gate

- 1) Power rear gate button
- 2) Power rear gate lock button

4. With the rear gate at the desired height, press and hold the power rear gate button on the inside edge of the rear gate

until an electronic chirp is heard and the hazard warning flashers flash three times. The electronic chirp and the flashing hazard warning flashers confirm the selected rear gate height has been registered.

### NOTE

- To change the registered height, press the memory switch to select the "OFF" status and perform the registering procedure again.
- It is possible to register the height from approximately 2 in (5 cm) or more from the completely closed position.

### Retrieval of the rear gate height:

To open the rear gate and stop it at the registered height, perform the following procedure.

1. Press the memory switch to select the ON status.
2. Press and hold any of the power rear gate switches.

Even if any of the power rear gate switches are pressed and held while the memory switch is in the OFF status, you can stop it at the registered height by pressing the memory switch to select the ON status before the rear gate reaches the registered height.

**NOTE**

The rear gate will open to the position that is stored in the memory function even if the rear gate is opened by the reverse function.

▼ **Reverse function****WARNING**

- Do not let parts of your body get caught when operating the reverse function. If the reverse function does not operate for some reason, this may lead to serious injury or accidents.
- The reverse function may not operate if foreign objects are caught in the rear gate just before it closes completely. Be careful not to catch your fingers and other body parts.
- The reverse function may not operate depending on the object shape and the manner in which it was caught. Be careful not to catch your fingers and other body parts.

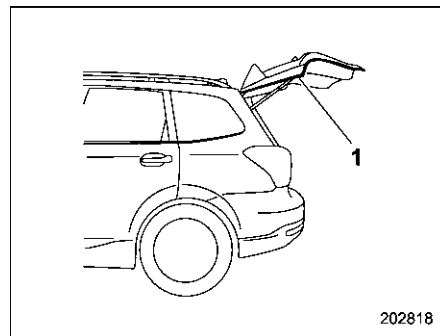
**CAUTION**

- If the reverse function is operated 3 times consecutively, automatic opening and closing of the power rear gate function will be canceled and the rear gate will stop opening or closing suddenly. However, the rear gate may open or close depending on the rear gate height when automatic operation is ceased. Be careful that the rear gate does not hit anyone's head or face, etc. and that fingers and baggage, etc. are not caught in it.
- Take care not to damage the touch sensors. Otherwise, the reverse function may cease to operate.

If, while opening or closing using power rear gate, the rear gate catches persons or baggage or hits an obstacle, an electronic chirp will sound 3 times and the rear gate will operate as follows.

**When opening the rear gate:** The rear gate will automatically close.

**When closing the rear gate:** The rear gate will automatically open.



202818

1) Touch sensor

Touch sensors are attached on the left and right edges of the rear gate. If the touch sensors detect fingers, baggage, etc. while closing by the power rear gate function, an electronic chirp will sound 3 times and the rear gate will open automatically.

**NOTE**

**When the rear gate is opened using the reverse function, it will be opened fully or to the height registered in the memory function.**

### ▼ Rear gate drop prevention function

The rear gate is lowered by the weight of snow and such, an electronic chirp will sound and the rear gate drop prevention function will apply braking to the rear gate so that it prevents a rapid closure of the rear gate.

### NOTE

**If there is snow on the rear gate, only use the power rear gate function after removing the snow.**

### ▼ Selecting audible signal operation

Using an electronic chirp, the power rear gate will give you an audible signal before starting its operation. If desired, the audible signal can be turned off by a SUBARU dealer. Consult your SUBARU dealer for details.

For models with “keyless access with push-button start system”, you can turn the audible signal off by operating the combination meter display (color LCD). For details, refer to “Keyless Entry System” P201.

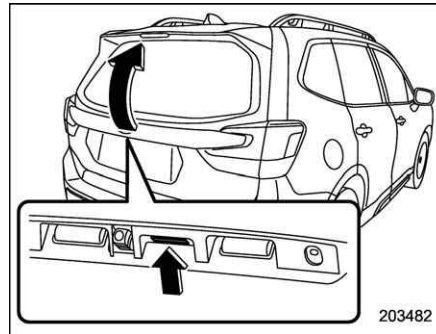
The ON/OFF setting of the audible signal also works as the audible signal settings for the “remote keyless entry system” and the “keyless access with push-button start system”. However, for the warning chime

such as that caused by “Reverse function” P152 or “Rear gate drop prevention function” P153, it cannot be set as non-operational.

### ▼ Initialization of power rear gate

If the power rear gate detects some abnormality while operating, an electronic chirp will sound and the power rear gate operation will be automatically stopped in either opening or closing position. In this case, the system needs to be initialized in the following order to restart the function properly.

#### ▽ If the power rear gate is closed



1. Keep pressing the rear gate opener button until it is unlocked (for approximately 5 seconds) and lift up the rear gate.

2. Pull down the rear gate until it starts to close automatically. The system will be initialized once the gate is fully closed.  
3. Operate the power rear gate and check that the function operates properly.

#### ▽ If the power rear gate is opened

1. Pull down the rear gate until it starts to close automatically. The system will be initialized once the gate is fully closed. If the rear gate will not close completely, keep pressing the rear gate opener button for approximately 5 seconds and pull down the rear gate.  
2. Operate the power rear gate and check that the function operates properly.

### ⚠ CAUTION

**If the power rear gate function does not operate properly, have your vehicle checked by SUBARU dealer.**

## 2-10. Moonroof (if equipped)

### ⚠ WARNING

Never let anyone's hands, arms, head or any objects protrude from the moonroof. A person could be seriously injured if any of the following conditions occur.

- The vehicle stops suddenly.
- The vehicle turns sharply.
- The vehicle is involved in an accident.
- Body parts protruding from the vehicle are struck by outside objects.

To avoid serious personal injury caused by entrapment, always conform to the following instructions without exception.

- Before closing the moonroof, make sure that no one's hands, arms, head or other objects will be accidentally caught in the moonroof.
- Always carry the key when you leave the vehicle for safety reasons and never allow an unattended child to remain in the

vehicle. Failure to follow this procedure could result in injury to a child operating the moonroof.

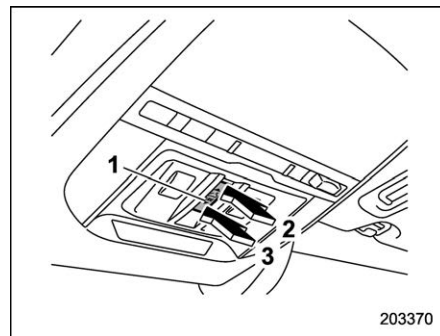
- Never try to check the anti-entrapment function by deliberately placing part of your body in the moonroof.

### ⚠ CAUTION

- Do not sit on the edge of the open moonroof.
- Do not operate the moonroof if falling snow or extremely cold conditions have caused it to freeze shut.
- Do not touch the moving parts of the moonroof while the moonroof is operating.
- If the moonroof does not close, we recommend that you have the system checked by a SUBARU dealer.

The moonroof operates only when the ignition switch is in the "ON" position.

## ■ Moonroof switch



- 1) OPEN/CLOSE switch
- 2) Open
- 3) Close

### To open the moonroof:

Press the rear side of the "OPEN/CLOSE" switch. The sunshade will also be opened together with the moonroof. The moonroof will stop at a position approximately 6 in (15 cm) away from the fully opened position. Slide the switch rearward again to open the moonroof completely.

### To close the moonroof:

Press the front side of the "OPEN/CLOSE" switch.

To stop the moonroof at a selected mid-way position while opening or closing it, momentarily push the switch to the

“OPEN” side or “CLOSE” side.

After washing the vehicle or after it rains, wipe away water on the roof prior to opening the moonroof to prevent drops of water from falling into the passenger compartment.

### NOTE

- Driving with the moonroof fully open can cause an annoying sound to be generated at high speeds. If this occurs, use the moonroof at the initial stop position of 6 in (15 cm) away from the fully opened position.
- The moonroof cannot be operated while the remote engine starter system is operating.

### ■ Anti-entrapment function

When the moonroof senses a substantial enough object trapped between its glass and the vehicle's roof during closure, it automatically moves back to the fully open position and stops there. The anti-entrapment function may also be activated by a strong shock on the moonroof even when there is nothing trapped.

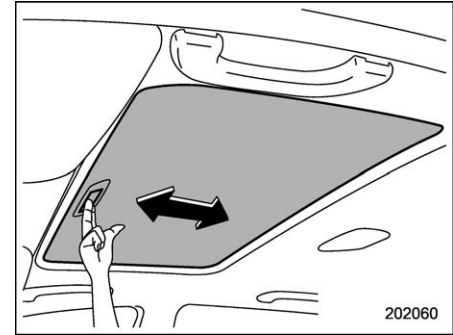
#### ⚠ CAUTION

**Never attempt to test this function using fingers, hands or other parts of your body.**

### NOTE

For the sake of safety, it is recommended that you avoid driving with the moonroof fully opened.

### ■ Sunshade



The sunshade can be slid forward or backward by hand while the moonroof is closed.

If the moonroof is opened, the sunshade also moves back.





3-1. Ignition switch (models without “keyless access with push-button start system”).....	160
Key positions .....	160
Key reminder chime.....	161
Ignition switch light.....	161
3-2. Push-button ignition switch (models with “keyless access with push-button start system”) .....	162
Safety precautions.....	162
Operating range for push-button start system.....	162
Switching power status.....	163
When access key fob does not operate properly.....	164
3-3. Hazard warning flasher .....	164
3-4. Meters and gauges .....	164
Speedometer .....	164
Tachometer.....	164
Odometer .....	165
Double trip meter.....	165
Fuel gauge .....	166
ECO gauge (if equipped).....	166
Combination meter settings .....	167
3-5. Illumination brightness control .....	168
Auto dimmer cancel function .....	168
3-6. Warning and indicator .....	168
Initial illumination for system check.....	168
Seatbelt warning light and chime .....	169
SRS airbag system warning light .....	172
Front passenger’s frontal airbag ON and OFF indicators .....	172

CHECK ENGINE warning light/Malfunction indicator light.....	173
Coolant temperature low indicator light/ Coolant temperature high warning light.....	174
Charge warning light.....	175
Oil pressure warning light .....	175
Engine low oil level warning light .....	175
Windshield washer fluid warning light .....	175
AT OIL TEMP warning light.....	175
Rear differential oil temperature warning light (if equipped).....	176
Low tire pressure warning light (U.S.-spec. models).....	176
ABS warning light .....	177
Brake system warning light (red).....	178
Electronic parking brake light.....	179
Auto Vehicle Hold ON indicator light .....	180
Auto Vehicle Hold operation indicator light.....	181
Depress brake indicator light (if equipped) .....	181
Low fuel warning light.....	181
Door open warning light.....	181
Engine hood open warning light.....	181
All-Wheel Drive warning light .....	181
Power steering warning light.....	182
Vehicle Dynamics Control warning light/Vehicle Dynamics Control operation indicator light.....	182
Vehicle Dynamics Control OFF indicator light.....	183
Warning chimes and warning indicator of the keyless access with push-button start system (if equipped).....	184
Security indicator light .....	188
SI-DRIVE indicator light.....	189

Select lever/gear position indicator .....	189
Turn signal indicator lights .....	190
High beam indicator light.....	190
High beam assist indicator light (if equipped) .....	190
Cruise control indicator light (if equipped) .....	190
Cruise control set indicator light (if equipped).....	191
Automatic headlight beam leveler warning light.....	191
LED headlight warning light.....	191
Steering Responsive Headlight warning light/ Steering Responsive Headlight OFF indicator light.....	191
Front fog light indicator light (if equipped) .....	191
Headlight indicator light (if equipped) .....	191
Auto Start Stop warning light/Auto Start Stop OFF indicator light (yellow).....	191
Auto Start Stop indicator light (green).....	192
Auto Start Stop No Activity Detected indicator light.....	192
X-MODE indicator light (if equipped) .....	192
Hill descent control indicator light (if equipped) .....	193
BSD/RCTA warning light (if equipped) .....	193
BSD/RCTA OFF indicator light (if equipped) .....	193
RAB warning light (if equipped) .....	193
RAB OFF indicator light (if equipped).....	193
Driver Monitoring System operation indicator light (green)/Driver Monitoring System warning light (yellow) (if equipped) .....	193
Driver Monitoring System OFF indicator light (if equipped) .....	193

Driver Monitoring System temporary stop indicator light (if equipped) .....	194
Icy road surface warning light (if equipped) .....	194
<b>3-7. Combination meter display (color LCD) (if equipped) .....</b>	<b>194</b>
Basic operation.....	195
Welcome screen (opening animation) and Good-bye (ending animation) screen .....	196
Warning screen.....	196
Telltale screen.....	197
Basic screens .....	198
Menu screens .....	200
<b>3-8. Multi-function display (black and white) .....</b>	<b>202</b>
Driving information display .....	202
Outside temperature indicator .....	207
X-MODE indicator (if equipped) .....	208
Clock .....	208
<b>3-9. Multi-function display (color LCD).....</b>	<b>208</b>
Features .....	209
Welcome screen.....	209
Self-check screen.....	209
Interruption screen.....	210
Basic operation.....	210
Basic screens .....	211
Setting screen.....	218
How to get the source code using the open source .....	232
<b>3-10. Clock .....</b>	<b>233</b>
Setting the clock manually .....	233
Setting the clock automatically.....	234
Regulatory information.....	235

<b>3-11. Light control switch.....</b>	<b>235</b>
Precautions and tips.....	235
Headlights .....	236
High/low beam change (dimmer) .....	238
Headlight flasher .....	238
High beam assist function (if equipped) .....	239
Daytime running light system .....	242
<b>3-12. Steering Responsive Headlight (SRH) .....</b>	<b>242</b>
<b>3-13. Headlight beam leveler.....</b>	<b>243</b>
<b>3-14. Fog light switch (if equipped).....</b>	<b>243</b>
<b>3-15. Turn signal lever .....</b>	<b>244</b>
One-touch lane changer.....	245
<b>3-16. Wiper and washer.....</b>	<b>245</b>
Windshield wiper and washer switches .....	246
Rear window wiper and washer switch .....	248
<b>3-17. Mirrors .....</b>	<b>249</b>
Inside mirror .....	249
Auto-dimming mirror/compass with HomeLink® (if equipped).....	249
Outside mirrors.....	257
<b>3-18. Defogger and deicer (if equipped) .....</b>	<b>259</b>
<b>3-19. Tilt/telescopic steering wheel.....</b>	<b>261</b>
Heated Steering Wheel system (if equipped) .....	261
<b>3-20. Horn.....</b>	<b>262</b>

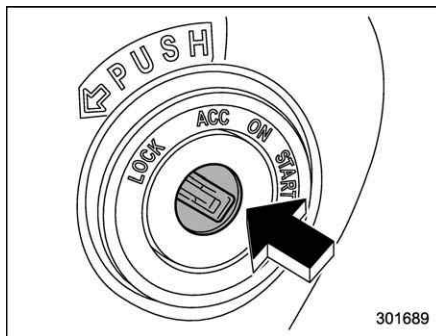
### 3-1. Ignition switch (models without “keyless access with push-button start system”)

#### WARNING

- Never turn the ignition switch to the “LOCK” position while the vehicle is being driven or towed because that will lock the steering wheel, preventing steering control. And when the engine is turned off, it takes a much greater effort than usual to steer.
- Before leaving the vehicle, always remove the key from the ignition switch for safety and never allow an unattended child to remain in the vehicle. Failure to follow this procedure could result in injury to a child or others. Children could operate the power windows, the moonroof or other controls or even make the vehicle move.

#### CAUTION

Do not attach a large key holder or key case to either key. If it banged against your knees or hands while you are driving, it could turn the ignition switch from the “ON” position to the “ACC” or “LOCK” position, thereby stopping the engine. Also, if the key is attached to a key holder or to a large bunch of other keys, centrifugal force may act on it as the vehicle moves, resulting in unwanted turning of the ignition switch.



The ignition switch has four positions: LOCK, ACC, ON and START.

#### NOTE

- Keep the ignition switch in the “LOCK” position when the engine is not running.
- Using electrical accessories for a long time with the ignition switch in the “ON” or “ACC” position can cause the battery to go dead.
- If the ignition switch will not move from the “LOCK” position to the “ACC” position, turn the steering wheel slightly to the left and right as you turn the ignition switch.

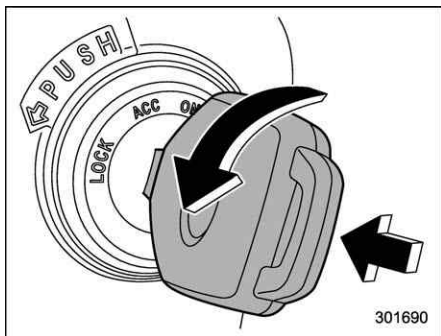
#### Key positions

Position	Description
LOCK	The key can only be inserted or removed in this position. The ignition switch will lock the steering wheel when you remove the key.
ACC	In this position the electrical accessories (audio, accessory power outlet, etc.) can be used.
ON	This is the normal operating position after starting the engine.
START	The engine is started in this position.

**CAUTION**

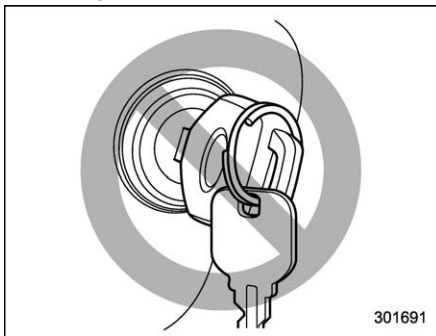
Do not turn the ignition switch to the "START" position while the engine is running.

**NOTE**

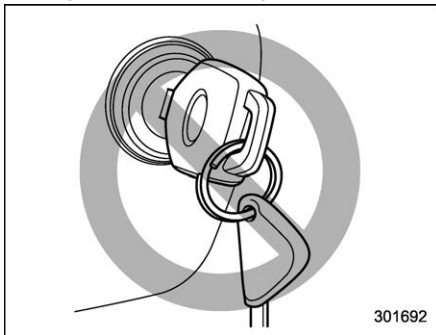


- To turn the key from the "ACC" to "LOCK" position, the select lever must be in the "P" position and the key must be pushed in and turned.
- If your registered key fails to start the engine, pull out the key once (the security indicator light will blink), and then insert the key again and turn it to the "START" position again to restart the engine.

- The engine may not start in the following cases:



- The key grip is touching another key or a metallic key holder.



- The key is near another key that contains an immobilizer transponder.

- der.
- The key is near or touching another transmitter.

**■ Key reminder chime**

The reminder chime sounds when the driver's door is opened and the ignition switch is in the "LOCK" or "ACC" position.

The chime stops under the following conditions.

- The ignition switch is turned to the "ON" position.
- The key is removed from the ignition switch.
- The driver's door is closed.

**■ Ignition switch light**

For easy access to the ignition switch in the dark, the ignition switch light illuminates when the driver's door is opened or when the driver's door is unlocked using the remote keyless entry transmitter.

The light remains illuminated for several tens of seconds and then gradually turns off under the following conditions.

- The driver's door is closed.
- The doors are unlocked using the remote keyless entry transmitter.

The light turns off immediately under the following conditions.

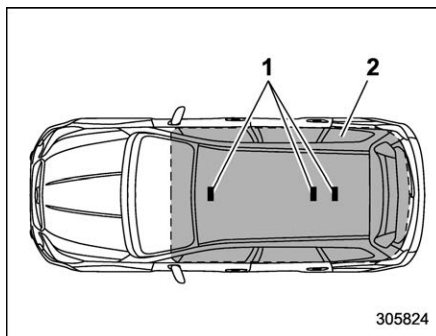
- The ignition switch is turned to the “ON” position.
- All doors and the rear gate are locked using the remote keyless entry transmitter.

### 3-2. Push-button ignition switch (models with “keyless access with push-button start system”)

#### ■ Safety precautions

Refer to “Safety precautions” [P114](#).

#### ■ Operating range for push-button start system



- 1) Antennas
- 2) Operating range

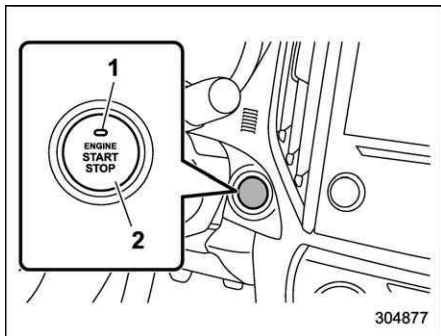
#### NOTE

- If the access key fob is not detected within the operating range of the antennas inside the vehicle, the push-button ignition switch and the engine start

cannot be operated.

- Even when the access key fob is outside the vehicle, if it is placed too close to the glass, it may be possible to switch the power or to start the engine.
- Do not leave the access key fob in the following places. It may become impossible to operate the push-button ignition switch and the engine start. It may also cause a false warning to issue although no malfunction actually occurs, or not to issue a warning when any malfunction occurs.
  - On the instrument panel
  - On the floor
  - Inside the glove box
  - Inside the door trim pocket
  - On the rear seat
  - In the cargo area
- When operating the push-button ignition switch or starting the engine, if the access key fob battery is discharged, perform the procedure described in “Access key fob – if access key fob does not operate properly” [P451](#). In such a case, replace the battery immediately. Refer to “Replacing battery of access key fob” [P508](#).

## Switching power status



- 1) Operation indicator
- 2) Push-button ignition switch

The power is switched every time the push-button ignition switch is pressed.

1. Carry the access key fob, and sit in the driver's seat.
2. Shift the select lever into the "P"/"N" position.
3. Press the push-button ignition switch without depressing the brake pedal. Every time the button is pressed, the power is switched in the sequence of "OFF", "ACC", "ON" and "OFF". When the engine is stopped and the push-button ignition switch is in "ACC" or "ON", the operation indicator on the push-button ignition switch illuminates in orange.

Power status	Indicator color	Operation
OFF	Turned off	Power is turned off.
ACC	Orange	The following systems can be used: audio and accessory power outlet.
ON	Orange (while engine is stopped)	All electrical systems can be used.
	Turned off (while engine is running)	

### CAUTION

- When the push-button ignition switch is left in "ON" (while the engine is not running) or "ACC" for a long time, it may result in vehicle battery discharge.
- Do not spill drinks or other liquids on the push-button ignition switch. It may cause a malfunction.
- Do not touch the push-button ignition switch with a hand soiled with oil or other contaminants. It may cause a malfunction.

### NOTE

- When operating the push-button ignition switch, firmly press it all the way.
- If the push-button ignition switch is pressed quickly, the power may not turn on or off.
- If the indicator light on the push-button ignition switch flashes in green when the push-button ignition switch is pressed, steering is locked. When this occurs, press the push-button ignition switch while turning the steering wheel left and right.

### ▼ Battery drainage prevention function

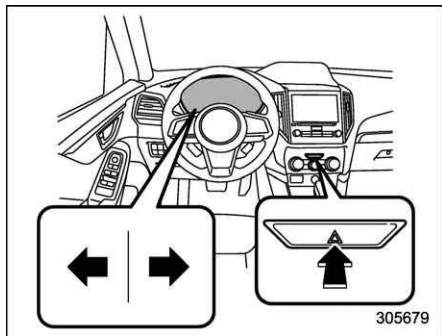
The push-button ignition switch automatically switches to the “OFF” position to prevent the battery from going dead under either of the following conditions:

- The push-button ignition switch is left in the “ACC” position for about 20 minutes when the select lever is in the “P” position.
- The push-button ignition switch is left in the “ON” position for about 1 hour when the select lever is in the “P” position.

### ■ When access key fob does not operate properly

Refer to “Access key fob – if access key fob does not operate properly” P451.

## 3-3. Hazard warning flasher



The hazard warning flasher is used to warn other drivers when you have to park your vehicle under emergency conditions. The hazard warning flasher works regardless of the position of the ignition switch.

To turn on the hazard warning flasher, push the hazard warning flasher switch on the instrument panel. All the turn signal lights and the turn signal indicator lights will flash. To turn off the flasher, push the switch again.

### NOTE

**When the hazard warning flasher is on, the turn signals do not work.**

## 3-4. Meters and gauges

### NOTE

Some of the meters and gauges on the combination meter use liquid-crystal displays. You will find their indications hard to see if you wear polarized glasses.

### ■ Speedometer

The speedometer shows the vehicle speed.

### ■ Tachometer

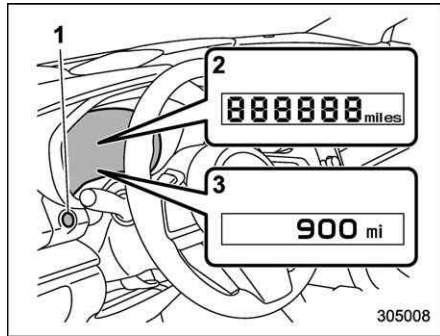
The tachometer shows the engine speed in thousands of revolutions per minute.



**Do not operate the engine with the pointer of the tachometer in the red zone. In this range, fuel injection will be cut by the engine control module to protect the engine from overrevving. The engine will resume running normally after the engine speed is reduced below the red zone.**



## ■ Odometer



- 1) TRIP RESET switch
- 2) Type A combination meter
- 3) Type B combination meter

This meter displays the odometer when the ignition switch is in the “ON” position. The odometer shows the total distance that the vehicle has been driven.

### NOTE

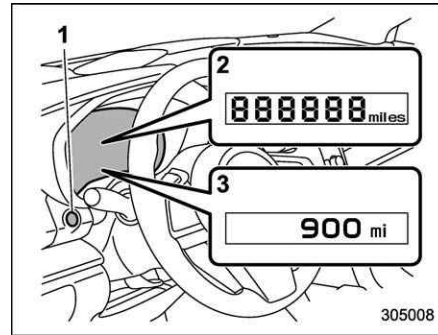
If you press the TRIP RESET switch when the ignition switch is in the “LOCK”/“OFF” or “ACC” position, the odometer/trip meter will light up.

The indicators will turn off when:

- The TRIP RESET switch is not operated for approximately 10 seconds.

- The driver’s door is opened and then closed.

## ■ Double trip meter

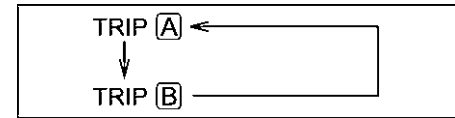


- 1) TRIP RESET switch
- 2) Type A combination meter
- 3) Type B combination meter

This meter displays the two trip meters when the ignition switch is in the “ON” position.

The trip meter shows the distance that the vehicle has been driven since you last set it to zero.

The display can be switched as shown in the following sequence by pressing the TRIP RESET switch.



To set the trip meter to zero, select the A trip or B trip meter by pressing the TRIP RESET switch and keep the knob pressed for more than 2 seconds.

### ⚠ CAUTION

To ensure safety, do not attempt to change the function of the indicator during driving, as an accident could result.

### NOTE

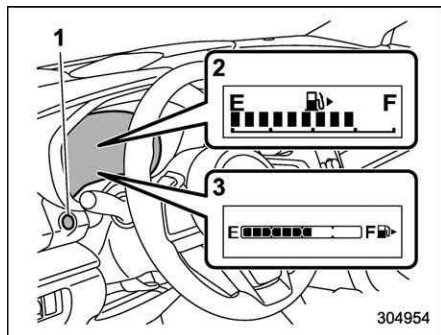
- If the connection between the combination meter and battery is broken for any reason such as vehicle maintenance or fuse replacement, the data recorded on the trip meter will be lost.
- If you press the TRIP RESET switch when the ignition switch is in the “LOCK”/“OFF” or “ACC” position, the odometer/trip meter will light up. It is possible to switch between the A trip meter and B trip meter indications while the odometer/trip meter is lit up. In addition, it is possible to reset the trip meter by pressing and holding the TRIP

**RESET switch.**

The indicators will turn off when:

- The TRIP RESET switch is not operated for approximately 10 seconds.
- The driver's door is opened and then closed.

### ■ Fuel gauge



- 1) TRIP RESET switch
- 2) Type A combination meter
- 3) Type B combination meter

The fuel gauge is displayed when the ignition is in the "ON" position, and it shows the approximate amount of fuel remaining in the tank.

The gauge indication may change slightly during braking, turning or acceleration due

to fuel level movement in the tank.

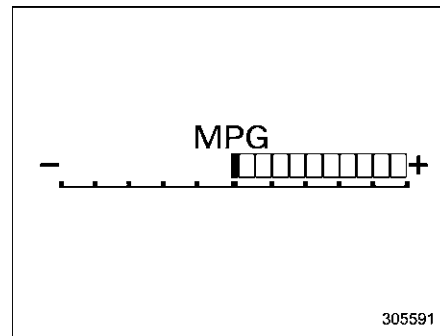
**NOTE**

- You will see the "🚰" sign in the fuel gauge. This indicates that the fuel filler lid is located on the right side of the vehicle.
- If you press the TRIP RESET switch while the ignition switch is in the "LOCK"/"OFF" or "ACC" position, the fuel gauge will light up and indicate the amount of fuel remaining in the tank.

The indicators will turn off when:

- The TRIP RESET switch is not operated for approximately 10 seconds.
- The driver's door is opened and then closed.

### ■ ECO gauge (if equipped)



The ECO gauge shows the difference between the current rate of fuel consumption and the average rate of fuel consumption since the trip meter was last reset.

If the ECO gauge moves towards the + side, this indicates better fuel efficiency.

**NOTE**

- The ECO gauge shows only an approximate indication of fuel efficiency.
- After resetting the trip meter, the average rate of fuel consumption is not shown until you have driven for 1 mile (or 1 km). Before that time, the ECO gauge does not operate.

## ■ Combination meter settings

Meter and vehicle settings can be set on the combination meter.

### ▼ Type A combination meter

Various adjustments can be made, such as switching units shown on the combination meter and adjusting the warning tone volume.

While the ignition switch is in the “OFF” position, each press of TRIP RESET switch results in items shown in the table below being switched.

Item	Combination meter display	Possible settings
A trip		—
B trip		—
Gauge needle sweep function		On/Off
Changing the unit*		mile/km
Warning volume*		Lv. 1/Lv. 2/Lv. 3

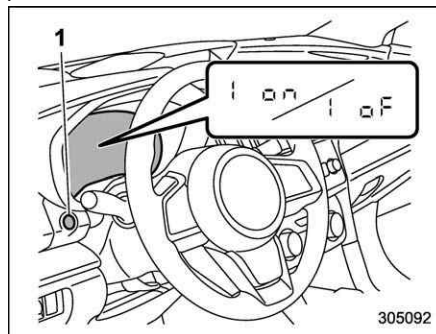
\*: If available

## NOTE

- If you switch the units on the combination meter, the units on the multi-function display (black and white) also switches accordingly.
- If either of the following conditions is met, the combination meter setting mode will be canceled.
  - The driver's door is opened.
  - The TRIP RESET switch is not operated for approximately 10 seconds or more.

### ▽ Switching method

1. Push the ignition switch in the “OFF” position.



1) TRIP RESET switch

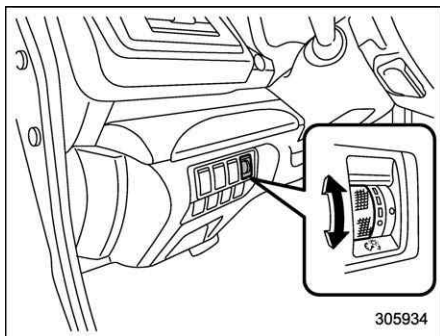
2. Press the TRIP RESET switch repeatedly until the item you want to change is displayed.

3. Press and hold the TRIP RESET switch while the item to be changed is displayed, the setting of the item will be switched.

### ▼ Type B combination meter

Meter and vehicle settings can be set on the combination meter display (color LCD). Refer to “Menu screens” P200.

### 3-5. Illumination brightness control



The illumination brightness of the instrument panel illuminates under the following conditions.

- The light switch is in the “ $\text{☰}$ ” or “ $\text{☷}$ ” position when the ambient light is dark.
- The light control switch is in the “AUTO” position and the headlights illuminate automatically.

You can adjust the illumination brightness for better visibility.

To brighten, turn the control dial upward.  
To darken, turn the control dial downward.

### NOTE

- When the control dial is turned fully upward, the illumination brightness becomes the maximum and the automatic dimming function does not work at all.
- The brightness setting is not canceled even when the ignition switch is turned to the “LOCK”/“OFF” position.

### ■ Auto dimmer cancel function

When the ambient light is bright, the illumination brightness is set to the maximum regardless of the position of the control dial. In this case, you cannot adjust the illumination brightness by using the control dial. When the ambient light is dark, you can dim the illumination brightness as described above.


The operational/non-operational setting and sensitivity of the auto dimmer cancel function can be changed by your SUBARU dealer. Contact your SUBARU dealer for details.

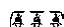
### 3-6. Warning and indicator

#### ■ Initial illumination for system check

Several of the warning and indicator lights illuminate when the ignition switch is initially turned to the “ON” position. This permits checking the operation of the bulbs.


Apply the parking brake and turn the ignition switch to the “ON” position. For the system check, several of the following lights illuminate and then turn off after several seconds or after the engine has started.






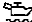



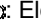





: Seatbelt warning light (The seatbelt warning light turns off only when the driver fastens the seatbelt.)/Front passenger’s seatbelt warning light (The seatbelt warning light turns off only when the front seat passenger fastens the seatbelt.)


: Rear seatbelt warning light (if equipped)


: SRS airbag system warning light


ON : Front passenger’s frontal airbag ON indicator light


OFF : Front passenger’s frontal airbag OFF indicator light

-  /  CHECK ENGINE warning light/  
Malfunction indicator light
- : Coolant temperature low indicator  
light/Coolant temperature high warn-  
ing light
- : Charge warning light
- : Oil pressure warning light
- : Engine low oil level warning light
- : Windshield washer fluid warning light
- AT OIL TEMP: AT OIL TEMP warning light
- : Low tire pressure warning light (U.S.-  
spec. models)
- ABS / : ABS warning light
- BRAKE / : Brake system warning light
- PARK / : Electronic parking brake light
- : Low fuel warning light
- : Door open warning light
- AWD: AWD warning light
- : Power steering warning light
- : Vehicle Dynamics Control warning light/  
Vehicle Dynamics Control operation  
indicator light

: Vehicle Dynamics Control OFF indicator  
light

: Automatic headlight beam leveler  
warning light (if equipped)

: Auto Start Stop warning light/Auto Start  
Stop OFF indicator light (yellow)

: Auto Start Stop No Activity Detected  
indicator light

If any lights fail to illuminate, it indicates a  
burned-out bulb or a malfunction of the  
corresponding system.

Consult your authorized SUBARU dealer  
for repair.

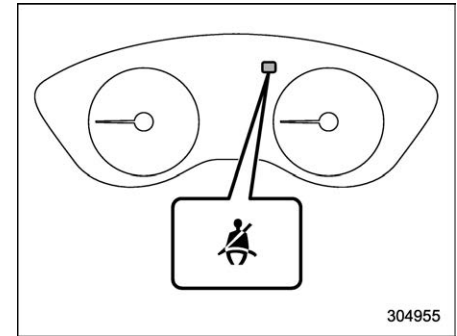
## ■ Seatbelt warning light and chime



Your vehicle is equipped with a seatbelt  
warning device at the driver's and passen-  
ger's seats, as required by current safety  
standards.

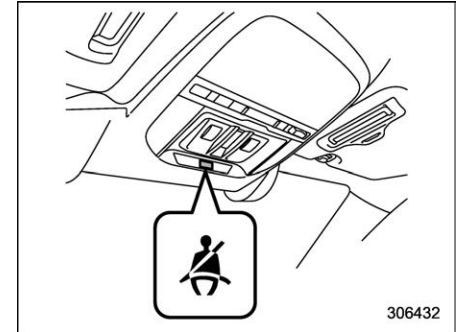
### ▼ Driver's and front passenger's seats

With the ignition switch turned to the "ON"  
position, this device reminds the driver and  
front passenger to fasten their seatbelts by  
illuminating the warning lights in the loca-  
tions indicated in the following illustration  
and sounding a chime.



304955

Driver's seat



306432

Front passenger's seat

### ▽ Operation

When the ignition switch is turned to the “ON” position, the driver’s and/or front passenger’s warning light will illuminate, then it will blink for several seconds. If the seatbelt of the driver’s seat is not fastened, the warning chime may make a peep sound.

### NOTE

● If the driver’s and/or front passenger’s seatbelt(s) are/is not fastened while driving, the seatbelt warning system operates as follows according to the vehicle speed.

- The warning light will illuminate when driving approximately 4 mph (6 km/h) or less.
- The warning light will blink, and the warning chime will make a peep sound when driving between approximately 4 mph (6 km/h) and 13 mph (20 km/h). The warning chime will stop when the vehicle stops.
- The warning light will blink, and the warning chime will sound loudly when 15 seconds have elapsed while driving between approximately 4 mph (6 km/h) and 13 mph (20 km/h).
- The warning light will blink, and the warning chime will sound loudly

when driving approximately more than 13 mph (20 km/h).

- The warning light will turn off and the warning chime will stop when the seatbelt is fastened.
- The seatbelt warning system can be cancelled. However, when the ignition switch is turned to the “ON” position after it is turned to the “OFF” position, the warning system settings will be restored. For details about the warning cancellation, contact a SUBARU dealer.

If there is no passenger on the front passenger’s seat, the seatbelt warning system for the front passenger’s seat will be deactivated. The front passenger’s seatbelt warning system monitors whether or not there is a passenger on the front passenger’s seat.



### CAUTION

Observe the following precautions. Failure to do so may prevent the device from functioning correctly or cause the device to fail.

- Do not install any accessory such as a table or TV onto the seatback.
- Do not store a heavy load in the seatback pocket.

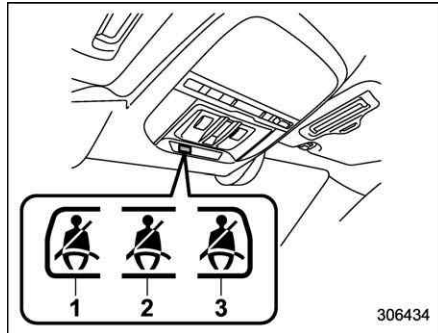
- Do not allow the rear seat occupant to place his/her hands or legs on the front passenger’s seatback, or allow him/her to pull the seatback.
- Do not use front seats with their backward-forward position and seatback not being locked into place securely. If any of them are not locked securely, adjust them again. For adjusting procedure, refer to “Manual seat” P35.

If the seatbelt warning system for the front passenger’s seat does not function correctly (e.g., it is activated even when the front passenger’s seat is empty or it is deactivated even when the front passenger has not fastened his/her seatbelt), take the following actions.

- Ensure that no article is placed on the seat other than a child restraint system and its child occupant, although we strongly recommend that all children sit in the rear seat properly restrained.
- Ensure that there is no article left in the seatback pocket.
- Ensure that the backward-forward position and seatback of front passenger’s seat are locked into place securely by moving the seat back and forth.

If still the seatbelt warning system for front passenger's seat does not function correctly after taking relevant corrective actions described above, immediately contact your SUBARU dealer for an inspection.

#### ▼ Rear passenger's seats (if equipped)



- 1) Rear left seat
- 2) Rear center seat
- 3) Rear right seat

With the ignition switch turned to the "ON" position, the seatbelt warning light and chime reminds the rear passenger to fasten their seatbelt by illuminating the warning lights in the locations indicated in the above illustration and sounding a chime.

### ⚠ WARNING

- The driver must check that the all passengers have fastened their seatbelts properly since the seatbelt warning system may not detect passengers under the following circumstances.
  - When cushions or child restraint systems, etc., are used
  - When a child or small adult is sitting in the seat
- Observe the following precautions
  - Do not apply any strong impact to the rear seat.
  - Do not fold the seatback forward when objects are on the seat.
  - Do not spill liquid on the rear seat. If liquid is spilled, wipe it off immediately.
  - Do not remove or disassemble the rear seat.

### NOTE

- The seatbelt warning system of the rear seat detects if the seat is occupied by a passenger. Heavy cargo or large

pets on the rear seat may result in the activation of the passenger seatbelt warning light and chime. Fastening the rear seatbelt prior to loading cargo or large pets will avoid activating the passenger seatbelt warning light and chime.

- When folding the rear seat, ensure that the seat is empty prior to folding. Items caught between the seat bottom and seatback, when folded, may damage the seat surface or activate the passenger seatbelt warning light and chime.

#### ▽ Operation

If passengers in the rear seats do not fasten their seatbelts while the ignition switch is turned to the "ON" position, the seatbelt warning lights will illuminate or blink to indicate that their seatbelts are not fastened.

### NOTE

- If the rear passenger's seatbelt(s) are/is still not fastened while driving, the seatbelt warning system operates as follows according to the vehicle speed.
  - The warning light will illuminate when driving approximately 4 mph (6 km/h) or less.

– When driving approximately between 4 mph (6 km/h) and 13 mph (20 km/h), if the seatbelts are not fastened for 50 seconds, the seatbelt warning lights will blink and a warning chime will sound.

The chime will make a peep sound for 15 seconds, and it then will become louder and continue for 35 seconds. The warning light will blink for 50 seconds, then it will illuminate steadily and the chime will stop.

– When driving more than approximately 13 mph (20 km/h), if seatbelts are not fastened for 35 seconds, the warning lights of the unfastened seatbelts will blink and a chime will sound loudly. If the rear seatbelts are not fastened after 35 seconds, the blinking warning light will illuminate steadily and the chime will stop. The warning lights will continue to illuminate until their seatbelts are fastened.

- The warning light will turn off and the warning chime will stop when the seatbelt is fastened.
- The seatbelt warning light can be cancelled. However, when the ignition switch is turned to the “ON” position after it is turned to the “OFF” position,

the warning system settings will be restored. For details about the warning cancellation, contact a SUBARU dealer.

### ■ SRS airbag system warning light



#### WARNING

If the warning light exhibits any of the following conditions, immediately stop the vehicle in a safe place, and consult a SUBARU dealer. Unless a technician checks and repairs the system as needed, the seatbelt pretensioners and/or the SRS airbag will not operate properly in the event of a collision, which may result in injury.


- Flashing or flickering of the warning light
- No illumination of the warning light when the ignition switch is first turned to the “ON” position
- Continuous illumination of the warning light
- Illumination of the warning light while driving


For details about the components monitored by the warning light, refer to “SRS

airbag system monitors” P106.

### ■ Front passenger’s frontal airbag ON and OFF indicators



ON : Front passenger’s frontal airbag ON indicator

OFF : Front passenger’s frontal airbag OFF indicator

The front passenger’s frontal airbag ON and OFF indicators show you the status of the front passenger’s SRS frontal airbag. The indicator is displayed near the map lights.

When the ignition switch is turned to the “ON” position, both the ON and OFF indicators illuminate for 6 seconds during which time the system is checked. Following the system check, both indicators turn off for 2 seconds. After that, one of the



indicators illuminates depending on the status of the front passenger's SRS frontal airbag determined by the SUBARU advanced frontal airbag system monitoring.

If the front passenger's SRS frontal airbag is activated, the passenger's frontal airbag ON indicator will illuminate while the OFF indicator will remain off.

If the front passenger's SRS frontal airbag is deactivated, the passenger's frontal airbag ON indicator will remain off while the OFF indicator will illuminate.

With the ignition switch turned to the "ON" position, if both the ON and OFF indicators remain illuminated or off simultaneously even after the system check period, the system is malfunctioning. Contact your SUBARU dealer immediately for an inspection.

## ■ CHECK ENGINE warning light/Malfunction indicator light

CHECK  
ENGINE



### CAUTION

**If the CHECK ENGINE warning light/Malfunction indicator light illuminates while you are driving, have your vehicle checked/repaired by your SUBARU dealer as soon as possible. Continued vehicle opera-**

**tion without having the emission control system checked and repaired as necessary could cause serious damage, which may not be covered by your vehicle's warranty.**

If this light illuminates steadily or blinks while the engine is running, it may indicate that there is at least one problem or potential problem somewhere in the emission control system.

#### ▼ If the light illuminates steadily

If the light illuminates steadily while driving or does not turn off after the engine starts, an emission control system malfunction has been detected.

You should have your vehicle checked by an authorized SUBARU dealer immediately.

#### NOTE

**This light also illuminates when the fuel filler cap is not tightened until it clicks.**

If you have recently refueled your vehicle, the cause of the CHECK ENGINE warning light/malfunction indicator light illuminating could be a loose or missing fuel filler cap. Remove the cap and retighten it until it clicks. Make sure nothing is interfering with the sealing of the cap. Tightening the cap will not make the CHECK ENGINE warn-

ing light turn off immediately. It may take several driving trips. If the light does not turn off, take your vehicle to your authorized SUBARU dealer immediately.

#### ▼ If the light is blinking

If the light is blinking while driving, an engine misfire condition has been detected which may damage the emission control system.

To prevent serious damage to the emission control system, you should do the following.

- Reduce vehicle speed.
- Avoid hard acceleration.
- Avoid steep uphill grades.
- Reduce the amount of cargo, if possible.
- Stop towing a trailer as soon as possible.

The CHECK ENGINE warning light may stop blinking and illuminate steadily after several driving trips. You should have your vehicle checked by an authorized SUBARU dealer immediately.

## ■ Coolant temperature low indicator light/ Coolant temperature high warning light



### CAUTION

- After turning the ignition switch to the “ON” position, if this indicator light/warning light behaves in any of the following ways, the electrical system may be malfunctioning. Contact your SUBARU dealer immediately for an inspection.
  - It remains blinking in RED.
  - It remains illuminated in RED for more than 2 seconds.
  - It remains blinking in RED and BLUE alternately.
- While driving, if this indicator light/warning light behaves in any of the following ways, take the specified appropriate measure listed below.
  - Blinking or illuminated in RED:  
Safely stop the vehicle as soon as possible, and refer to the emergency steps to take in the case of engine overheating.

ing. After that, have the system checked by your nearest SUBARU dealer. Refer to “Engine overheating” ⒸP446.

- Blinking in RED and BLUE alternately:  
The electrical system may be malfunctioning. Contact your SUBARU dealer for an inspection.

This coolant temperature low indicator light/coolant temperature high warning light has the following three functions.

- Illumination in **BLUE** indicates insufficient warming up of the engine.
- Blinking in **RED** indicates that the engine is close to overheating.
- Illumination in **RED** indicates overheating condition of the engine.

For a system check, this indicator light/warning light illuminates in **RED** for approximately 2 seconds when the ignition switch is turned to the “ON” position. After that, this indicator light/warning light changes to **BLUE** and maintains illumination in **BLUE**. This **BLUE** illuminated light turns off when the engine is warmed up sufficiently.

If the engine coolant temperature increases over the specified range, the indicator light/warning light blinks in **RED**. At this time, the engine is close to overheating.

If the engine coolant temperature increases further, the indicator light/warning light illuminates in **RED** continuously. At this time, the engine may be overheating.

When the indicator light/warning light blinks in **RED** or illuminates in **RED**, safely stop the vehicle as soon as possible, and refer to the emergency steps to take in the case of engine overheating. Refer to “Engine overheating” ⒸP446. After that, have the system checked by your nearest SUBARU dealer.

Also, if the indicator light/warning light often blinks in **RED**, the electrical system may be malfunctioning. Contact your SUBARU dealer for an inspection.

### NOTE

**If the engine is restarted after a certain driving condition, this indicator light/warning light may illuminate in RED. However, this is not a malfunction if the indicator light/warning light turns off after a short time.**

## ■ Charge warning light



If this light illuminates when the engine is running, it may indicate that the charging system is not working properly.

If the light illuminates while driving or does not turn off after the engine starts, stop the engine at the first safe opportunity and check the alternator belt. If the belt is loose, broken or if the belt is in good condition but the light remains illuminated, contact your nearest SUBARU dealer immediately.

## ■ Oil pressure warning light



If this light illuminates when the engine is running, it may indicate that the engine oil pressure is low and the lubricating system is not working properly.

If the light illuminates while driving or does not turn off after the engine starts, stop the engine at the first safe opportunity and contact your nearest SUBARU dealer immediately.

## ⚠ CAUTION

**Do not operate the engine with the oil pressure warning light illuminated. This may cause serious engine damage.**

## ■ Engine low oil level warning light



This light illuminates when the engine oil level decreases to the lower limit.

If the warning light illuminates, check the engine oil level on a level surface. When the engine oil level is not within the normal range, refill with engine oil. Refer to "Engine oil" P474. After adding or changing the engine oil, warm up the engine and stop it on a level surface, then start the engine after a lapse of 1 minute or more. Confirm that the warning light has turned off after the engine has started. If the warning light does not turn off after refilling the engine oil, or the light illuminates even though the engine oil level is within the normal range, have the vehicle checked by a SUBARU dealer.

## NOTE

- The oil level will be detected by the system just after turning the ignition switch to the OFF position. If the oil level is below the lower limit when the ignition switch is turned to the ON position, the engine low oil level warning light will turn on.
- When the vehicle is parked on a steep slope, the engine low oil level warning light may not illuminate even if the oil level is below the lower limit to avoid erroneous lighting.

## ■ Windshield washer fluid warning light



This light illuminates when the fluid level in the windshield washer fluid tank decreases to the lower limit (approximately 0.6 US qt (0.6 liters, 0.5 Imp qt)).

## ■ AT OIL TEMP warning light

AT OIL TEMP

If this light illuminates when the engine is running, it may indicate that the transmission fluid temperature is too hot.

If the light illuminates while driving, immediately stop the vehicle in a safe place and let the engine idle until the warning light turns off.

### ▼ Transmission control system warning

If the “AT OIL TEMP” warning light flashes after the engine has started, it may indicate that the transmission control system is not working properly. Contact your nearest SUBARU dealer for service immediately.

### ■ Rear differential oil temperature warning light (if equipped)

R.DIFF  
TEMP

#### CAUTION

If the R.DIFF TEMP warning light illuminates, reduce vehicle speed and stop the vehicle in a safe location as soon as possible. Continuing to drive with this light illuminated may damage the rear differential and other parts of the powertrain.

If this light illuminates when the engine is running, it may indicate that the rear differential oil temperature is too hot.

If the light illuminates while driving, reduce vehicle speed and stop the vehicle in the nearest safe location. Park the vehicle for several minutes. After the light turns off, you can start driving.

If the light does not turn off, contact the nearest SUBARU dealer for service.

### NOTE

- If the tire pressures are not correct and/or the tires are not all the same size and brand, the rear differential will be heavily loaded when the vehicle is driven, resulting in an abnormally high oil temperature.
- The rear differential oil will deteriorate if its temperature increases enough for the rear differential oil temperature warning light to illuminate. It is advisable to have the rear differential oil replaced as soon as possible.

### ■ Low tire pressure warning light (U.S.-spec. models)



When the ignition switch is turned to the “ON” position, the low tire pressure warning light will illuminate for approximately 2 seconds to check that the tire pressure monitoring system (TPMS) is functioning properly. If there is no problem and all tires are properly inflated, the light will turn off.

Each tire, including the spare (if provided), should be checked monthly when cold and inflated to the inflation pressure recommended by the vehicle manufacturer on the vehicle placard or tire inflation pressure label. (If your vehicle has tires of a different size than the size indicated on the

vehicle placard or tire inflation pressure label, you should determine the proper tire inflation pressure for those tires.)

As an added safety feature, your vehicle has been equipped with a tire pressure monitoring system (TPMS) that illuminates a low tire pressure telltale when one or more of your tires is significantly under-inflated. Accordingly, when the low tire pressure telltale illuminates, you should stop and check your tires as soon as possible, and inflate them to the proper pressure. Driving on a significantly under-inflated tire causes the tire to overheat and can lead to tire failure. Under-inflation also reduces fuel efficiency and tire tread life, and may affect the vehicle’s handling and stopping ability.

Please note that the TPMS is not a substitute for proper tire maintenance, and it is the driver’s responsibility to maintain correct tire pressure, even if under-inflation has not reached the level to trigger illumination of the TPMS low tire pressure telltale.

Your vehicle has also been equipped with a TPMS malfunction indicator to indicate when the system is not operating properly. The TPMS malfunction indicator is combined with the low tire pressure telltale. When the system detects a malfunction, the telltale will flash for approximately one

minute and then remain continuously illuminated. This sequence will continue upon subsequent vehicle start-ups as long as the malfunction exists. When the malfunction indicator is illuminated, the system may not be able to detect or signal low tire pressure as intended. TPMS malfunctions may occur for a variety of reasons, including the installation of replacement or alternate tires or wheels on the vehicle that prevent the TPMS from functioning properly. Always check the TPMS malfunction telltale after replacing one or more tires or wheels on your vehicle to ensure that the replacement or alternate tires and wheels allow the TPMS to continue to function properly.

Should the warning light illuminate steadily after blinking for approximately one minute, have the system inspected by your nearest SUBARU dealer as soon as possible.



### WARNING

If this light does not illuminate briefly after the ignition switch is turned ON or the light illuminates steadily after blinking for approximately one minute, you should have your Tire Pressure Monitoring System checked at a SUBARU dealer as soon as possible.

If this light illuminates while driving, never brake suddenly and keep driving straight ahead while gradually reducing speed. Then slowly pull off the road to a safe place. Otherwise an accident involving serious vehicle damage and serious personal injury could occur.

If this light still illuminates while driving after adjusting the tire pressure, a tire may have significant damage and a fast leak that causes the tire to lose air rapidly. If you have a flat tire, replace it with a spare tire as soon as possible.

When a spare tire is mounted or a wheel rim is replaced without the original pressure sensor/transmitter being transferred, the Low tire pressure warning light will illuminate steadily after blinking for approximately one minute. This indicates the TPMS is unable to monitor all four road wheels. Contact your SUBARU dealer as soon as possible for tire and sensor replacement and/or system resetting.

If the light illuminates steadily after blinking for approximately one minute, promptly contact a SUBARU dealer to have the system inspected.



### CAUTION

The tire pressure monitoring system is NOT a substitute for manually checking tire pressure. The tire pressure should be checked periodically (at least monthly) using a tire gauge. After any change to tire pressure(s), the tire pressure monitoring system will not re-check tire inflation pressures until the vehicle is first driven more than 20 mph (32 km/h). After adjusting the tire pressures, increase the vehicle speed to at least 20 mph (32 km/h) to start the TPMS re-checking of the tire inflation pressures. If the tire pressures are now above the severe low pressure threshold, the low tire pressure warning light should turn off a few minutes later. Therefore, be sure to install the specified size for the front and rear tires.

### ■ ABS warning light ABS /



### CAUTION

- If any of the following conditions occur, we recommend that you have the ABS repaired at the first available opportunity by your

**SUBARU dealer.**

- The warning light does not illuminate when the ignition switch is turned to the “ON” position.
- The warning light illuminates when the ignition switch is turned to the “ON” position, but it does not turn off even after the vehicle is started.
- The warning light illuminates during driving.
- **When the warning light is on (and the brake system warning light is off), the ABS function shuts down. However, the conventional brake system continues to operate normally.**

The ABS warning light, Vehicle Dynamics Control warning light, and brake system warning light illuminate simultaneously if the EBD system malfunctions. For further details of the EBD system malfunction warning, refer to “Electronic Brake Force Distribution (EBD) system warning” ☞P179.

**NOTE**

If the warning light behavior is as described in the following conditions,

the ABS may be considered normal.

- The warning light illuminates when the ignition switch is turned to the “ON” position and turns off approximately 2 seconds after the engine has started.
- The warning light illuminates right after the engine is started but turns off immediately, remaining off.
- The warning light remains illuminated after the engine has been started, but it turns off while driving.
- The warning light illuminates during driving, but it turns off immediately and remains off.

When driving with an insufficient battery voltage, such as when the engine is jump started, the ABS warning light may illuminate. This is due to the low battery voltage and does not indicate a malfunction. When the battery becomes fully charged, the light will turn off.

### ■ Brake system warning light (red) BRAKE / (⚠)

**WARNING**

- **Driving with the brake system warning light on is dangerous. This indicates your brake system may not be working properly. If the light remains illuminated,**

have the brakes inspected by a SUBARU dealer immediately.

- **If at all in doubt about whether the brakes are operating properly, do not drive the vehicle. Have your vehicle towed to the nearest SUBARU dealer for repair.**

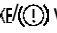
The brake system warning light has the following functions.

### ▼ Brake fluid level warning BRAKE / (⚠)

The light illuminates when the brake fluid level has dropped to near the “MIN” level of the brake fluid reservoir with the ignition switch in the “ON” position and with the parking brake fully released.

If the light should illuminate while driving (with the parking brake fully released and with the ignition switch positioned in “ON”), it could be an indication of leaking of brake fluid or worn brake pads. If this occurs, immediately stop the vehicle at the nearest safe location and check the brake fluid level. For details, refer to “Brake fluid” ☞P481. If the fluid level is below the “MIN” mark in the reservoir, do not drive the vehicle. We recommend that you have the vehicle towed to the nearest SUBARU dealer for repair. For details, refer to “Towing” ☞P447.

### ▼ Vacuum pressure system warning (models with the vacuum brake booster)

The brake system warning light  will illuminate when the vacuum pressure sensor is malfunctioning or brake booster pressure is decreasing.



If the brake warning light continues to illuminate for several minutes after starting the engine, there may be a malfunction in the vacuum system. In this case, drive the vehicle carefully and have the system inspected by a SUBARU dealer.

### ▼ Electronic Brake Force Distribution (EBD) system warning

The EBD system may be malfunctioning if the brake system warning light and ABS warning light illuminate simultaneously during driving.

Even if the EBD system fails, the conventional braking system will still function. However, the rear wheels will be more prone to locking when the brakes are applied harder than usual and the vehicle's motion may therefore become somewhat harder to control.

If the brake system warning light, Vehicle Dynamics Control warning light and ABS warning light illuminate simultaneously, take the following steps.

1. Stop the vehicle in the nearest safe, flat location.
2. Shut down the engine, apply the parking brake, and then restart it.
3. Fully release the parking brake.
4. Even if all the warning lights do not come back on, the EBD system may have a possible malfunction. Drive carefully to the nearest SUBARU dealer and have the system inspected.
5. If all the warning lights stay illuminated or come back on after approximately 2 seconds, shut down the engine, apply the parking brake and check the brake fluid level. For details, refer to "Brake fluid"  P481.
  - If the brake fluid level is not below the "MIN" mark, the EBD system may be malfunctioning. We recommend that you drive carefully to the nearest SUBARU dealer and have the system inspected.
  - If the brake fluid level is below the "MIN" mark, DO NOT drive the vehicle. Instead, we recommend that you have the vehicle towed to the nearest SUBARU dealer for repair. For details, refer to "Towing"  P447.

### ■ Electronic parking brake light

#### ▼ Parking brake indicator

The light illuminates with the parking brake applied while the ignition switch is in the "ON" position. It turns off when the parking brake is fully released.

#### ▼ Electronic parking brake system warning

#### WARNING

- **When you release the electronic parking brake while the engine is running, the electronic parking brake indicator light will turn off. However, if the light still illuminates, stop the vehicle in a safe place immediately and have the system inspected by a SUBARU dealer.**
- **If at all in doubt about whether the brakes are operating properly, do not drive the vehicle. Have your vehicle towed to the nearest SUBARU dealer for repair.**
- **If the electronic parking brake indicator light flashes, the electronic parking brake system may be malfunctioning. Immediately stop your vehicle in a safe loca-**

tion, use tire stops under the tires to prevent the vehicle from moving and contact your SUBARU dealer. For details, refer to “Electronic parking brake” ☞ P354.

## NOTE

- When the ignition switch is turned to the “LOCK”/“OFF” position with the electronic parking brake applied, the electronic parking brake indicator light remains illuminated for approximately 30 seconds and then turns off.
- When the electronic parking brake switch is pulled to apply the electronic parking brake while the ignition switch is in the “LOCK”/“OFF” position, the electronic parking brake indicator light illuminates, remains illuminated for approximately 30 seconds and then turns off.
- Even if the electronic parking brake indicator light flashes, if the warning light behavior is as described in the following examples, the electronic parking brake system is not malfunctioning.
  - The indicator light turns off when the electronic parking brake is released.
- The electronic parking brake indica-

tor light may flash immediately after the engine is started. However, it is not malfunctioning if the indicator light turns off after the electronic parking brake is released.

- The electronic parking brake indicator light may flash after the electronic parking brake is frequently applied and released. However, the electronic parking brake system is not malfunctioning if the light turns off for a short period of time.

The electronic parking brake indicator light flashes when the electronic parking brake system is malfunctioning. If the indicator light flashes, promptly park in a safe location as soon as possible and contact your SUBARU dealer.

The electronic parking brake indicator light remains illuminated when the parking brake cannot be released even if the parking brake switch is pushed. For details, refer to “Electronic parking brake” ☞ P354.

## ▽ Parking brake apply inhibit warning

The electronic parking brake indicator light flashes for 10 seconds and a chirp sound will be heard if the parking brake switch is operated when the parking brake cannot be applied.

## ▽ Frequent operation warning

The electronic parking brake indicator light flashes for 10 seconds and a chirp sound will be heard if the parking brake switch is operated too frequently. In this case, the operation of the parking brake switch is restricted to protect the electronic parking brake system.

## NOTE

Wait until the indicator light turns off.

## ■ Auto Vehicle Hold ON indicator light AVH



**If the Auto Vehicle Hold ON indicator light does not illuminate even when the Auto Vehicle Hold switch is pressed to activate the Auto Vehicle Hold function, the electronic parking brake system may be malfunctioning.**

This indicator light illuminates when the Auto Vehicle Hold is activated. For details, refer to “Auto Vehicle Hold function” ☞ P356.



## ■ Auto Vehicle Hold operation indicator light

This indicator light illuminates while the vehicle is stopped by the Auto Vehicle Hold function. For details, refer to “Auto Vehicle Hold function” P356.

## ■ Depress brake indicator light (if equipped)

This light illuminates if the brake pedal is not depressed in the following conditions.

- The Auto Vehicle Hold switch is pressed to deactivate the Auto Vehicle Hold function while the vehicle is stopped by the Auto Vehicle Hold function.
- The electronic parking brake is released.

## ■ Low fuel warning light

The low fuel warning light illuminates when the tank is nearly empty, at approximately 2.5 US gal (9.5 liters, 2.1 Imp gal). It only operates when the ignition switch is in the “ON” position.

### CAUTION

Promptly put fuel in the tank whenever the low fuel warning light illuminates. Engine misfires as a result of an empty tank could cause

damage to the engine.

## ■ Door open warning light

The warning light illuminates if any door or the rear gate is not fully closed. This function is effective even if the ignition switch is in the “LOCK”/“OFF” or “ACC” position, or the key is removed from the ignition switch.

For some models, only the open doors are indicated by the warning lights.

Always make sure this light is not illuminated before you start to drive.

## ■ Engine hood open warning light

The warning light illuminates if the engine hood is not fully closed. This function is effective even if the ignition switch is in the “LOCK”/“OFF” or “ACC” position, or the key is removed from the ignition switch.

Always make sure this light is not illuminated before you start to drive.

## ■ All-Wheel Drive warning light AWD

This light blinks if the vehicle is driven with tires of differing diameters fitted on the wheels or with an excessively low air pressure in any of the tires.

### WARNING

If the AWD warning light flashes, promptly park in a safe location then check whether all four tires are the same diameter and whether any of the tires has a puncture or has lost air pressure for some other reason. Continuing to drive with the AWD warning light flashing can lead to powertrain damage.

### NOTE

If the temporary spare tire is used, the AWD warning light may flash. Use of the temporary spare tire should therefore be restricted to the minimum time necessary. Replace the temporary spare tire with a conventional tire as soon as possible.

## ■ Power steering warning light !

While the engine is running, this warning light illuminates when a malfunction has been detected in the electric power steering system.

### CAUTION

When the power steering warning light is illuminated, there may be more resistance when the steering wheel is operated. Drive carefully to the nearest SUBARU dealer and have the vehicle inspected immediately.

### NOTE

If the steering wheel is operated in the following ways, the power steering control system may temporarily limit the power assist in order to prevent the system components, such as the control computer and drive motor, from overheating.

- The steering wheel is operated frequently and turned sharply while the vehicle is maneuvered at extremely low speeds, such as while frequently turning the steering wheel during parallel parking.

- The steering wheel remains in the fully turned position for a long period of time.

At this time, there will be more resistance when steering. However this is not a malfunction. Normal steering force will be restored after the steering wheel is not operated for a while and the power steering control system has an opportunity to cool down. However, if the power steering is operated in a non-standard way which causes power assist limitation to occur too frequently, that may result in a malfunction of the power steering control system.

## ■ Vehicle Dynamics Control warning light/Vehicle Dynamics Control operation indicator light

- ▼ Vehicle Dynamics Control warning light

### CAUTION

The Vehicle Dynamics Control system provides its ABS control through the electrical circuit of the ABS. Accordingly, if the ABS is

inoperative, the Vehicle Dynamics Control system becomes unable to provide ABS control. As a result, the Vehicle Dynamics Control system also becomes inoperative, causing the warning light to illuminate. Although both the Vehicle Dynamics Control system and ABS are inoperative in this case, the ordinary functions of the brake system are still available. You will be safe while driving with this condition, but drive carefully and have your vehicle checked at a SUBARU dealer as soon as possible.

### NOTE

- If the electrical circuit of the Vehicle Dynamics Control system itself malfunctions, the warning light only illuminates. At this time, the ABS (Anti-lock Brake System) remains fully operational.
- The warning light illuminates when the electronic control system of the ABS/Vehicle Dynamics Control system malfunctions.
- The Vehicle Dynamics Control warning light, ABS warning light, and brake system warning light illuminate simultaneously if the EBD system malfunctions. For further details of the EBD

system malfunction warning, refer to “Electronic Brake Force Distribution (EBD) system warning” P179.

The Vehicle Dynamics Control system is probably inoperative under any of the following conditions. Have your vehicle checked at a SUBARU dealer immediately.

- The warning light does not illuminate when the ignition switch is turned to the “ON” position.
- The warning light illuminates while the vehicle is running.

## NOTE

If the warning light behavior is as described in the following examples, the Vehicle Dynamics Control system may be considered normal.

- The warning light illuminates when the ignition switch is turned to the “ON” position and turns off approximately 2 seconds after the engine has started.
- The warning light illuminates right after the engine is started but turns off immediately, remaining off.
- The warning light illuminates after the engine has started and turns off while the vehicle is subsequently being driven.
- The warning light illuminates during driving, but it turns off immediately and

remains off.

- The warning light illuminates when the engine has stalled and continues to illuminate after the engine has been restarted. However, it will turn off once the vehicle starts moving.

## ▼ Vehicle Dynamics Control operation indicator light

The indicator light flashes during activation of the skid suppression function and during activation of the traction control function.

## NOTE

- The light may remain illuminated for a short period of time after the engine has been started, especially in cold weather. This does not indicate the existence of a problem. The light should turn off as soon as the engine has warmed up.
- The indicator light illuminates when the engine has developed a problem and the CHECK ENGINE warning light/malfunction indicator light is on.

The Vehicle Dynamics Control system is probably malfunctioning under the following condition. Have your vehicle checked at a SUBARU dealer as soon as possible.

- The light does not turn off even after the lapse of several minutes (the engine has warmed up) after the engine has started.

## ■ Vehicle Dynamics Control OFF indicator light

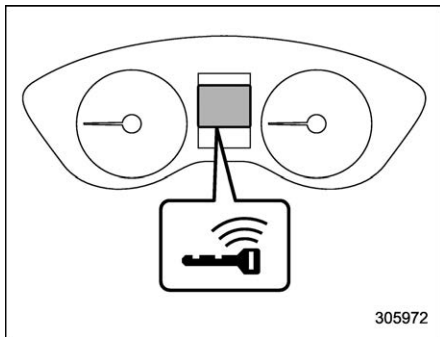


The light illuminates when the Vehicle Dynamics Control OFF switch is pressed or turned to deactivate the Vehicle Dynamics Control system.

The Vehicle Dynamics Control system is probably malfunctioning under any of the following conditions. Have your vehicle checked at a SUBARU dealer immediately.

- The light does not illuminate when the ignition switch is turned to the “ON” position.
- The light does not turn off even once several seconds have elapsed after the ignition switch has been turned to the “ON” position.

## ■ Warning chimes and warning indicator of the keyless access with push-button start system (if equipped)



305972

Access key warning indicator

The keyless access with push-button start system sounds a warning chime and flashes the access key warning indicator on the combination meter in order to minimize improper operations and help protect your vehicle from theft.

When the warning chime sounds and/or the warning indicator flashes, take the appropriate action.



### WARNING

Never drive the vehicle if the indicator on the push-button ignition switch is flashing in green when starting the engine. This indicates the status that the steering wheel is not released and could result in an accident involving serious injury or death.



### CAUTION

- When starting the engine again after the operation indicator on the push-button ignition switch flashes in green, if the operation indicator is still flashing in green, there could be a steering lock malfunction. Contact your **SUBARU** dealer as soon as possible.
- When the operation indicator on the push-button ignition switch flashes in orange, contact a **SUBARU** dealer immediately.

### NOTE

- Even when the access key fob is within the operating ranges inside the vehicle, the access key warning for

engine start may be provided depending on the status of the access key fob and the environmental conditions.

- When the access key fob is taken out of the vehicle through an open window, the access key fob takeout warning or passenger access key fob takeout warning will not be provided.

### ▼ List of warnings



### CAUTION

When any of the following warnings occurs even if the access key warning indicator does not appear, take the appropriate action.

Inside warning chime	Outside warning chime	Operation indicator on push-button ignition switch	Status	Action
Ding, ding ... (intermittent)	—	—	The driver's door was opened while the push-button ignition switch is "ACC" (when the select lever is in the "P" position).	Switch the push-button ignition switch to "OFF", or close the driver's door. When exiting the vehicle, be sure to switch the push-button ignition switch to "OFF".
			The push-button ignition switch was switched to "OFF" while the driver's door is open.	Close the driver's door.
Ding	Short beep (2 seconds)	—	<b>Lockout warning:</b> An attempt was made to lock all doors using the power door locking switch or access key fob while the access key fob is left inside the vehicle. For details, refer to "Key lock-in prevention function" P138.	Take out the access key fob from the vehicle, and lock the doors. The doors cannot be locked while the access key fob is inside the vehicle. A chirp sound will be heard, and all doors will be unlocked.
—	Short beep (2 seconds)	—	<b>Access key fob lock-in warning:</b> The door lock sensor was touched while the push-button ignition switch is "OFF" and the access key fob is inside the vehicle.	Take out the access key fob from the vehicle, and lock the doors. If the access key fob is inside the vehicle, the doors cannot be locked.
—	Beep, beep, beep, beep, beep (5 times)	—	<b>Door ajar warning:</b> The door lock sensor is touched while the ignition switch is in the "OFF" position and one of the doors including the rear gate is opened.	Close the doors securely and lock them. If one of the doors including the rear gate is opened, the doors cannot be locked.
Ding	Long beep (60 seconds max.)	—	<b>Power warning:</b> The door lock sensor was touched while carrying the access key fob, the push-button ignition switch is in a position other than "OFF" (when the select lever is in the "P" position).	Return the access key fob inside the vehicle, or switch the push-button ignition switch to "OFF". If the push-button ignition switch is not switched to "OFF", the doors cannot be locked.
Ding, ding ... (7 seconds)	—	—	<b>Access key warning:</b> The vehicle was driven while the access key fob is not inside the vehicle.	Carry the access key fob, and drive the vehicle.


Inside warning chime	Outside warning chime	Operation indicator on push-button ignition switch	Status	Action
Ding	—	—	<b>Access key warning for engine start:</b> The push-button ignition switch was pressed while the access key fob is not inside the vehicle.	Carry the access key fob, and press the push-button ignition switch.
Ding	Beep, beep, beep (3 times)	—	<b>Access key takeout warning:</b> The driver exited the vehicle with the access key fob and closed the driver's door while the push-button ignition switch is in a position other than "OFF" (when the select lever is in the "P" position).	Switch the push-button ignition switch to "OFF", and get out of the vehicle.
Ding	Beep, beep, beep (3 times)	—	<b>Passenger access key takeout warning:</b> A fellow passenger exited the vehicle with the access key fob and closed a door other than the driver's door while the push-button ignition switch is in a position other than "OFF".	Return the access key fob to inside the vehicle, or switch the push-button ignition switch to "OFF".
Long beep (continuous)	Long beep (continuous)	—	<b>Access key takeout without P position warning:</b> The driver exited the vehicle with the access key fob and closed the driver's door while the push-button ignition switch is in a position other than "OFF" and the select lever is in a position other than the "P" position.	Shift the select lever to the "P" position, switch the push-button ignition switch to "OFF" and exit the vehicle.
Long beep (continuous)	—	—	<b>Select lever position warning:</b> The engine is turned off by pressing the push-button ignition switch and the select lever is in a position other than the "P" position.	Start the engine, shift the select lever to the "P" position, switch the push-button ignition switch to "OFF" and exit the vehicle.

Inside warning chime	Outside warning chime	Operation indicator on push-button ignition switch	Status	Action
Long beep (continuous)	—	—	<b>Select lever position warning:</b> The driver's door was opened while the push-button ignition switch is in a position other than "OFF" and the select lever is in a position other than the "P" position.	Shift the select lever to the "P" position, switch the push-button ignition switch to "OFF" and exit the vehicle.
Ding	—	—	The battery of the access key fob is low.	Replace the battery of the access key fob.
Ding	—	Flashes in green (15 seconds max.)	<b>Steering lock warning:</b> The engine start procedure was performed, but the steering is still locked.	While turning the steering wheel right and left lightly, depress the brake pedal and press the push-button ignition switch.
Ding	—	Flashes in orange (15 seconds max.)	<b>System malfunction warning:</b> A malfunction was detected in the power system or steering lock.	Contact a SUBARU dealer immediately and have the vehicle inspected.

## ■ Security indicator light

This indicator light shows the status of the alarm system. It also indicates operation of the immobilizer system.

### ▼ Alarm system

It blinks to show the driver the operational status of the alarm system. For detailed information, refer to “Alarm system”  P139.

### ▼ Immobilizer system

The security indicator light starts blinking in the following conditions.

#### For models with “keyless access with push-button start system”:


- Immediately after the push-button ignition switch is turned to the “OFF” position.
- Immediately after the driver’s door is opened or closed when all of the following conditions are met.
  - The push-button ignition switch is in the “ON” or “ACC” position.
  - The engine is not running.

In the event that an unauthorized key is used (for example, the key is unregistered or the ID code does not match), the power is not switched to “ON” and the security indicator light continues blinking.

#### For models without “keyless access with push-button start system”:

- Immediately after the key is pulled out.
- Approximately 60 seconds after the ignition switch is turned from the “ON” position to the “ACC” or “LOCK” position.

If the indicator light does not blink in the above conditions, it may indicate that immobilizer system may be malfunctioning. Contact your nearest SUBARU dealer immediately.

In the event that an unauthorized key (for example, an unauthorized duplicate) is used to start the engine, the security indicator light illuminates. For details about the immobilizer system, refer to “Immobilizer”  P129.

### NOTE

- **The security indicator light remains off in the following conditions. It means that the matching of the ID code is completed and the immobilizer system is deactivated, and it does not indicate a malfunction.**

#### Models with “keyless access with push-button start system”:

- While the engine is running.
- The push-button ignition switch has been turned to the “ON” or

“ACC” position and the driver’s door has not been opened or closed.

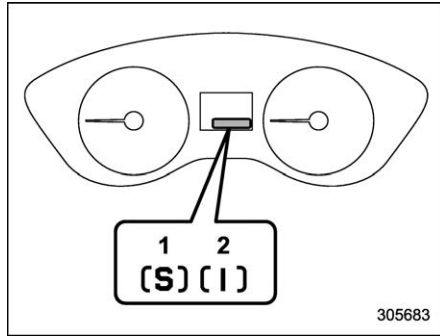
#### Models without “keyless access with push-button start system”:

- While the engine is running.
- When the ignition switch is in the “ON” position.
- For approximately 60 seconds after the ignition switch is turned from the “ON” position to the “ACC” or “LOCK” position.

- **Even if a malfunction occurs, such as the security indicator light flashes irregularly, it will not affect the functionality of the immobilizer system.**

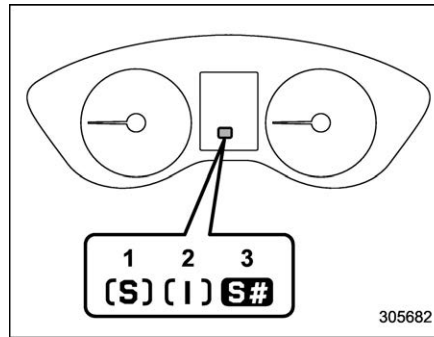


## ■ SI-DRIVE indicator light



### SI-DRIVE indicator light (type A)

- 1) Sport (S) mode
- 2) Intelligent (I) mode



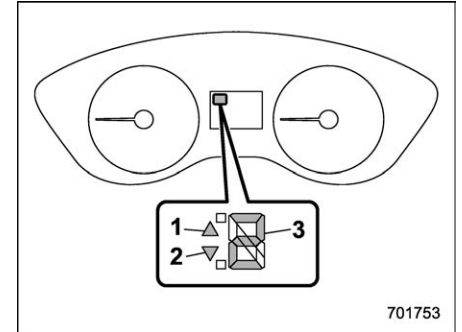
### SI-DRIVE indicator light (type B)

- 1) Sport (S) mode (if equipped)
- 2) Intelligent (I) mode
- 3) Sport Sharp (S#) mode (if equipped)

This light indicates the current SI-DRIVE mode.

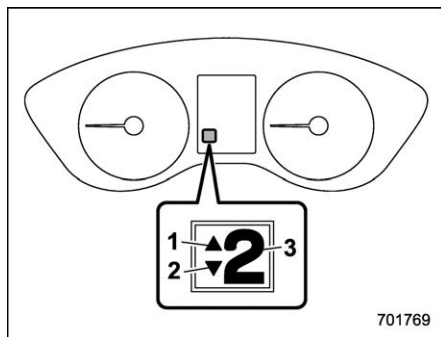
For details of SI-DRIVE mode, refer to “SI-DRIVE” P337.

## ■ Select lever/gear position indicator



### Type A

- 1) Upshift indicator
- 2) Downshift indicator
- 3) Select lever/gear position indicator

**Type B**

- 1) Upshift indicator
- 2) Downshift indicator
- 3) Select lever/gear position indicator

This indicator shows the position of the select lever.

For models with manual mode, when the manual mode is selected, the gear position indicator (which shows the current gear selection) and the upshift/downshift indicator light up. Refer to “Continuously variable transmission” P330.

### ■ Turn signal indicator lights

These lights show the operation of the turn signal or lane change signal.

If the indicator lights do not blink or blink rapidly, the turn signal bulb may be burned out. Replace the bulb as soon as possible. Refer to “Replacing bulbs” P501.

### ■ High beam indicator light

This light shows that the headlights are in the high beam mode.

This indicator light also illuminates when the headlight flasher is operated.

### ■ High beam assist indicator light (if equipped)

This light illuminates when the high beam assist function is activated. For details about the high beam assist function, refer to “High beam assist function” P239.

### ■ Cruise control indicator light (if equipped)

This light illuminates when the cruise control main button is pressed to activate the cruise control function. For details, refer to “To set cruise control” P367.

If this light blinks, do not use the cruise control. In addition, if it blinks frequently, contact your SUBARU dealer for an inspection.

### CAUTION

**If the CHECK ENGINE warning light/malfunction indicator light illuminates, the cruise control indicator light flashes at the same time. At this time, avoid driving at high speed and have your vehicle inspected at a SUBARU dealer as soon as possible.**

## ■ Cruise control set indicator light (if equipped)

This light illuminates when vehicle speed has been set to use the cruise control function. Refer to “To set cruise control” P367.

## ■ Automatic headlight beam leveler warning light

This light illuminates when the automatic headlight beam leveler does not operate normally.

If this light illuminates during driving, have your vehicle inspected at your SUBARU dealer.

## ■ LED headlight warning light

This light illuminates if the LED headlights malfunction. Have your vehicle inspected at a SUBARU dealer as soon as possible.

## ■ Steering Responsive Headlight warning light/ Steering Responsive Headlight OFF indicator light

This light illuminates when the Steering Responsive Headlight OFF switch is pressed to deactivate the Steering Responsive Headlight. Also, the light flashes when a malfunction occurs in the Steering Responsive Headlight. Refer to “Steering Responsive Headlight (SRH)” P242.

## ■ Front fog light indicator light (if equipped)

This indicator light illuminates while the front fog lights are illuminated.

## ■ Headlight indicator light (if equipped)

This indicator light illuminates under the following conditions.

- The light control switch is in the “O” position and the following conditions are fulfilled.
  - The engine is running.
  - The parking brake is fully released.
  - The select lever is in a position other than “P” position.

- The level of the ambient light is as dark as the auto on/off headlights turns on.
- The light switch is turned to the “DOE” or “D” position.
- The light control switch is in the “AUTO” position and the headlights illuminate automatically.

## ■ Auto Start Stop warning light/Auto Start Stop OFF indicator light (yellow)

### ▼ Auto Start Stop warning light (yellow)

#### CAUTION

- If the Auto Start Stop warning light is flashing in yellow, there may be a malfunction in the Auto Start Stop system. We recommend that you have your vehicle inspected at a SUBARU authorized dealer as soon as possible.
- If the Auto Start Stop warning light is illuminated in yellow at any time other than in the following cases, and will not turn off even if the Auto Start Stop OFF switch is pushed and held, we

recommend that you have your vehicle inspected at a SUBARU dealer as soon as possible.

The Auto Start Stop warning light will illuminate in yellow if you open the engine hood when the engine has been temporarily stopped by the Auto Start Stop system. In this case, to ensure safety, the engine will not be automatically restarted, even if you release the brake pedal. Use normal operation to restart the engine.

▼ **Auto Start Stop OFF indicator light (yellow)**

This light will illuminate in yellow when the Auto Start Stop OFF switch is pressed to prevent the Auto Start Stop system from operating. It will turn off when the Auto Start Stop OFF switch is pressed once more to enable operation of the Auto Start Stop system.

■ **Auto Start Stop indicator light (green)**



This indicator light illuminates when the engine has been temporarily stopped by the Auto Start Stop system. It will turn off when the engine is restarted.

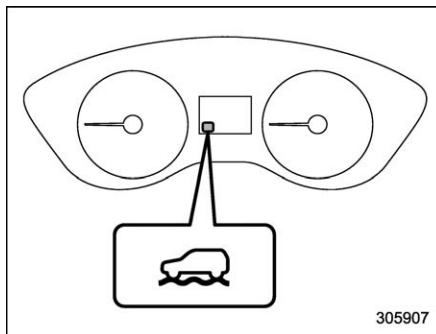
■ **Auto Start Stop No Activity Detected indicator light**



When a vehicle is stopped, the indicator light illuminates when the operating condition of idling stop are not meet. The light will turn off when the vehicle starts driving. Refer to “Non-operational conditions” P361.

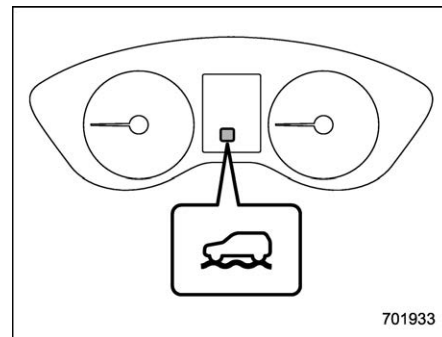
■ **X-MODE indicator light (if equipped)**

▼ **Type A combination meter**

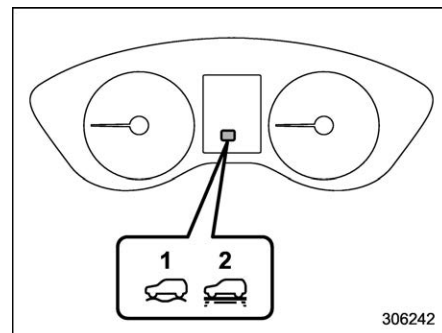


X-MODE indicator

▼ **Type B combination meter**



X-MODE indicator (models with 1 mode)



X-MODE indicator (models with 2 modes)

- 1) X-MODE indicator or D.SNOW/MUD mode indicator
- 2) SNOW/DIRT mode indicator

This indicator appears while X-MODE is activated. It will disappear when X-MODE is deactivated. Refer to “To activate/deactivate X-MODE” P348.

### ■ Hill descent control indicator light (if equipped)

This indicator appears while the hill descent control function is in standby. It will flash while the hill descent control function is operating. It will disappear when the hill descent control function is not available. Refer to “Hill descent control function” P351.

### ■ BSD/RCTA warning light (if equipped)

This warning indicator appears when the BSD/RCTA is malfunctioning. In this case the BSD/RCTA warning light will be shown on the combination meter display (color LCD). When this indicator appears, have your vehicle inspected by your SUBARU dealer as soon as possible.

### ■ BSD/RCTA OFF indicator light (if equipped)

The indicator appears when the BSD/RCTA OFF switch is pressed to deactivate the BSD/RCTA or when the BSD/RCTA is suspended temporarily. In this case the BSD/RCTA OFF indicator light will be shown on the combination meter display (color LCD). For details, refer to “BSD/RCTA” P371.

### ■ RAB warning light (if equipped) **RAB**

This indicator illuminates if the Reverse Automatic Braking (RAB) system malfunctions. Refer to “Reverse Automatic Braking (RAB) system” P380.

### ■ RAB OFF indicator light (if equipped) **RAB OFF**

This indicator illuminates when the Reverse Automatic Braking (RAB) system is turned OFF, or when the Reverse Automatic Braking (RAB) system is suspended temporarily. Refer to “Reverse Automatic Braking (RAB) system” P380.

### ■ Driver Monitoring System operation indicator light (green)/Driver Monitoring System warning light (yellow) (if equipped)

#### ▼ Driver Monitoring System operation indicator light (green)

This indicator illuminates when the Driver Monitoring System is activated. Refer to “Driver Monitoring System operation indicator light (green)” P399.

#### ▼ Driver Monitoring System warning light (yellow)

This warning illuminates if the Driver Monitoring System malfunctions. Have your vehicle inspected at a SUBARU dealer as soon as possible.

### ■ Driver Monitoring System OFF indicator light (if equipped)

This indicator illuminates when the Driver Monitoring System OFF switch is pressed to deactivate the Driver Monitoring System. Refer to “Driver Monitoring System OFF indicator light” P399.

### ■ Driver Monitoring System temporary stop indicator light (if equipped)



This indicator illuminates when the Driver Monitoring System is temporarily stopped. Refer to "Driver Monitoring System temporary stop indicator light" P399.

#### NOTE

The Driver Monitoring System stops temporarily when the temperature of the Driver Monitoring System unit is high.

### ■ Icy road surface warning light (if equipped)



When the outside temperature is 37°F (3°C) or less, the icy road surface warning will illuminate to inform the driver that the road surface may be frozen.

#### NOTE

● The outside temperature indicator shows the temperature in the area around the sensor. However, the temperature may not be indicated correctly or the update may be delayed in the following conditions.

- While parking or driving at low speeds
- When the outside temperature changes suddenly (example: when going in and out of an underground parking area or when passing through a tunnel)
- When starting the engine after being parked for a certain period of time
- The icy road surface warning screen should be treated only as a guide. Be sure to check the condition of the road surface before driving.
- Once the icy road surface warning screen appears, it will not disappear unless the outside temperature has increased to 41°F (5°C) or higher.

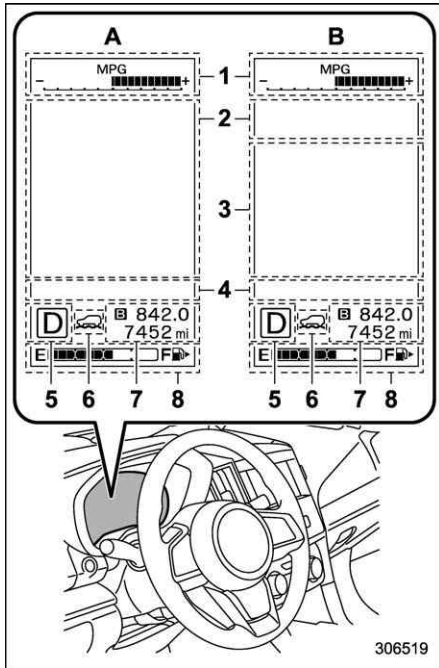
### 3-7. Combination meter display (color LCD) (if equipped)



#### WARNING

Always pay adequate attention to safe driving when operating the combination meter display (color LCD) while the vehicle is in motion. When operation of the combination meter display (color LCD) interferes with your ability to concentrate on driving, stop the vehicle before performing operations on the screen. Also, do not concentrate on the display while driving. Doing so may cause you to look away from the road and could result in an accident.

Various information will be shown on the combination meter display (color LCD). Also, a warning message will appear on the display if a malfunction is detected. In addition, several settings for the displayed content can be performed.

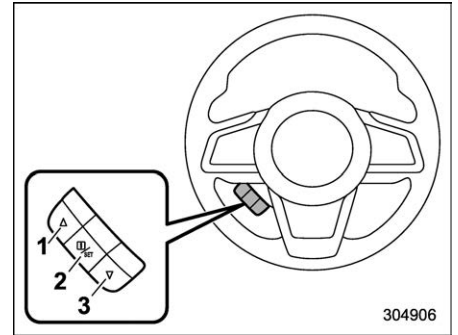


**Combination meter display (color LCD)**

- 1) ECO gauge (Refer to “ECO gauge” P166.)
- 2) Warning screen (Refer to “Warning screen” P196.)/Basic screen (Refer to “Basic screens” P198.)
- 3) EyeSight screen

- 4) Telltale screen (Refer to “Telltale screen” P197.)
  - 5) Select lever/gear position indicator (Refer to “Select lever/gear position indicator” P189.)
  - 6) X-MODE indicator (if equipped) (Refer to “X-MODE indicator light” P192.) SI-DRIVE indicator (Refer to “SI-DRIVE indicator light” P189.)
  - 7) Odometer (Refer to “Odometer” P165.)/Double trip meter (Refer to “Double trip meter” P165.)
  - 8) Fuel gauge (Refer to “Fuel gauge” P166.)
- A: Deactivating the EyeSight system or models without the EyeSight system  
 B: Activating the EyeSight system

**Basic operation**



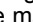


**Control switch**



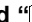
- 1) ▲ (Up)
- 2) ⓘ/SET (Enter)
- 3) ▼ (Down)

By operating “▲” or “▼” of the control switch, the screens and selection items can be switched. When the “ⓘ/SET” switch is pulled toward you, the item can be selected and set.

If there are some useful messages, such as vehicle information, warning information, etc., they will interrupt the current screen, and appear on the display accompanied by a beep. If such a screen is displayed, take proper action according to the message shown on the screen.

The warning screen will return to the original screen after a few seconds. While the “” information reminder is shown on the display, it may be possible to display the warning screen again. To recall the message marked with “” on the display, pull the “/SET” switch on the steering wheel toward you.

### NOTE

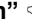
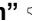
When the multi-function display (color LCD) is set to the setting screen, the combination meter display (color LCD) cannot be controlled pressing on the “”, “” and “/SET” on the control switch.

### ■ Welcome screen (opening animation) and Good-bye (ending animation) screen

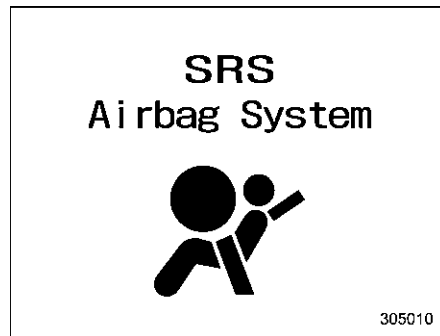
When the driver’s door is opened and closed after unlocking the door, the welcome screen (opening animation) will appear on the combination meter display (color LCD) for approximately 20 seconds.

When the ignition switch is turned to the “LOCK”/“OFF” position, the combination meter display (color LCD) gradually turns off by showing Good-bye screen (ending animation).

### NOTE

- The welcome screen and the good-bye screen may differ in the actual words and appearance.
- The basic screen will be shown when the ignition switch is turned to the “ON” position while the welcome screen is displayed.
- Once the welcome screen appears, it takes a certain period of time to display it again.
- If the ignition switch is operated after unlocking the driver’s door, the welcome screen will not appear even when the driver’s door is opened and closed.
- The welcome screen will disappear when you lock the driver’s door by using the remote keyless entry system (all models) or the keyless access function (if equipped) while the welcome screen is displayed.
- The welcome screen including the multi-function display (color LCD) and the audio/navigation unit can be set to on or off.
- The welcome screen can be set to on or off. For details, refer to “Welcome Screen”  P200.
- The Good-bye screen can be set to on or off. For details, refer to “Good-bye Screen”  P200.

### ■ Warning screen

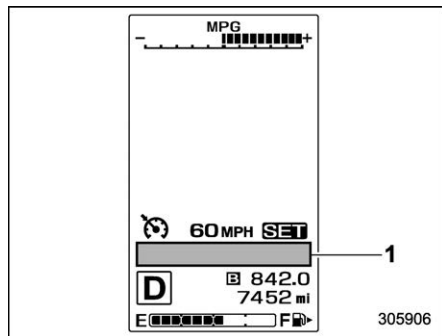


Example of warning

If there is a warning message or a maintenance notification, it will appear on this screen. Take the appropriate actions based on the messages indicated.



## ■ Telltale screen



1) Telltale screen


When the corresponding situation occurs, the following telltales will be displayed on the telltale screen.

### NOTE

When there is warning information to display, it will be displayed in five warning indicators, starting on the left in ascending order of severity. If there are six or more warning informations displayed, pull the “**I**/SET” switch and check the item.

Mark	Name	Page
	Door open warning light	181
	Engine hood open warning light	181
	LED headlight warning light	191
	High beam assist indicator light (if equipped)	190
<b>SRH OFF</b>	Steering Responsive Headlight warning light	191
<b>R.DIFF TEMP</b>	Rear differential oil temperature warning light (if equipped)	176
	Engine low oil level warning light	175
<b>RAB</b>	RAB warning light (if equipped)	193
<b>RAB OFF</b>	RAB OFF indicator light (if equipped)	193
	BSD/RCTA warning light (if equipped)	193
	BSD/RCTA OFF indicator light (if equipped)	193

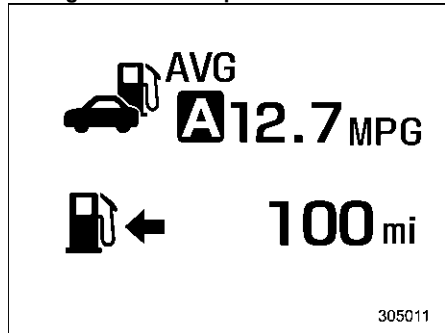
Mark	Name	Page
	Auto Start Stop warning light/Auto Start Stop OFF indicator light (yellow)	191
	Automatic headlight beam leveler warning light	191
	Windshield washer fluid warning light	175
	Auto Start Stop indicator light (green)	192
	Auto Start Stop No Activity Detected indicator light	192
	Hill descent control indicator light (if equipped)	193
	Driver Monitoring System operation indicator light (green) (if equipped)	193
	Driver Monitoring System warning light (yellow) (if equipped)	193
	Driver Monitoring System OFF indicator light (if equipped)	193
	Driver Monitoring System temporary stop indicator light (if equipped)	194



Mark	Name	Page
	Icy road surface warning light	194

### Basic screens

By operating the “▲” or “▼” switch on the steering wheel, you can change the screen that is always displayed.

#### Average fuel consumption screen:



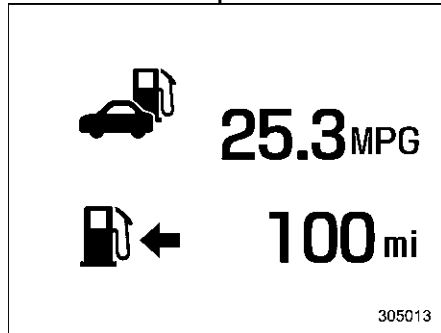
- : Average fuel consumption
- : Driving range on remaining fuel



This screen displays the average rate of fuel consumption since the trip meter was last reset.

### NOTE

The driving range on the remaining fuel is only a guide. The indicated value may differ from the actual driving range on the remaining fuel, so you must immediately fill the tank when the low fuel warning light illuminates.

#### Current fuel consumption screen:

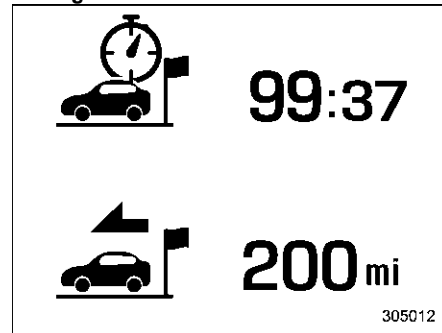




- : Current fuel consumption
- : Driving range on remaining fuel

### NOTE

The driving range on the remaining fuel is only a guide. The indicated value may differ from the actual driving range on the remaining fuel, so you must immediately fill the tank when the low fuel warning light illuminates.

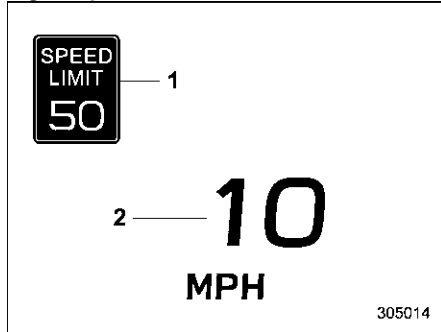
#### Driving information screen:



- : Journey time
- : Journey distance

This screen displays the journey time (the time that has elapsed since the ignition switch was turned to the “ON” position) and journey distance (the distance that has been driven since the ignition switch was turned to the “ON” position).

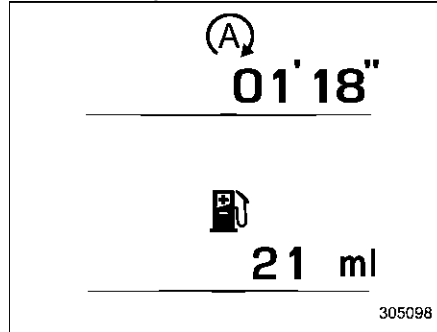
Digital speed screen:



- 1) Speed limit indicator (if equipped)
- 2) Vehicle speed

This screen displays the current vehicle speed.

Auto Start Stop screen:



- The total amount of time that the engine was stopped by means of the Auto Start Stop system
- The total amount of fuel saved due to the engine being stopped by the Auto Start Stop system

The indicated values are calculated from the most recent reset of the currently displayed trip meter to the current time. The indication ranges are as follows.

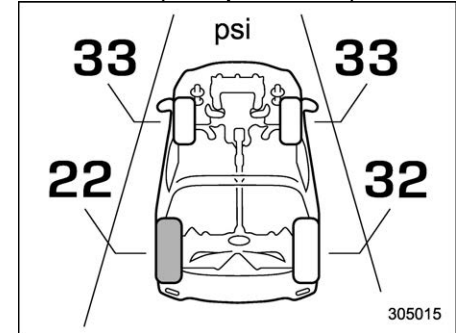
- Total amount of time: from 00'00" to 9999h59'59"
- Total amount of fuel saved: from 0 ml to 9999.999 L

**NOTE**

- When the trip meter is reset, the corresponding accumulated time and the amount of fuel saving are also reset.

- The time spent with the engine stopped by means of the Auto Start Stop system is also added to the journey time.

TPMS screen (U.S.-spec. models):



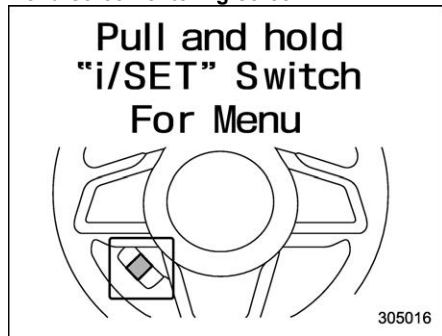
This screen displays each tire pressure. When a tire is deflated, the deflated tire and the tire pressure will be displayed on the screen in yellow.

**NOTE**

- The tire pressure values are displayed several minutes after driving.
- The tire pressure units can be set. For details about setting the units, refer to "Tire Pressure Units (U.S.-spec. models)" P200.

- Once the tire pressure monitoring system detects the low tire pressure, the tire pressure values will display in yellow until the system detects the normal tire pressure.
- Immediately adjust the tire pressure when the warning light illuminates. When the tire pressure monitoring system detects the adjusted tire pressure, the warning light will turn off and the tire pressure values will turn to white.
- For information about the specified value of the air pressure, refer to “Tires” P517.

Menu screen entering screen:



While this screen is selected, pull and hold the “i/SET” switch to enter the menu screen.

## ■ Menu screens

Pull and hold the “i/SET” switch to enter the menu screens when all of the following conditions are satisfied.

- The menu screen entering screen is selected.
- The “i” information reminder is off.

## NOTE

- While driving, the setting items available on the combination meter display (color LCD) are limited.
- For function settings and adjustments on the combination meter display, refer to “Function settings” P26.

By operating the “▲” or “▼” switch on the steering wheel, you can select the menu. Pull the “i/SET” switch to enter the selected menu.

## NOTE

If you enter the “Go Back” menu, the system will return to the previous screen.

## ▼ Screen Settings

After entering the “Screen Settings” menu, select one of the following menus.

### ▽ Welcome Screen

The welcome screen can be activated or deactivated.

### ▽ Good-bye Screen

The good-bye screen can be activated or deactivated.

### ▽ Gauge Initial Movement

The movement of the meter needles and gauge needles that occurs when the ignition switch is turned to the “ON” position can be activated or deactivated.

### ▽ Units

Changes the units displayed in the combination meter display (color LCD), the type A multi-function display (black and white) and the type B multi-function display (color LCD).

### ▽ Tire Pressure Units (U.S.-spec. models)

Changes the units displayed in the Tire Pressure Monitoring system.

### ▽ Languages

Changes the language displayed in the combination meter display (color LCD) and the multi-function display (color LCD).

**▼ Warning Volume**

Sets the EyeSight warning volume, the BSD/RCTA warning volume and the RAB warning volume.

**▼ Rear Seat Reminder (models with combination meter display (color LCD))**

The rear seat reminder can be activated or deactivated.


**▼ EyeSight****NOTE**

For details about how to use the EyeSight system, refer to the Owner's Manual supplement for the EyeSight system.

**▼ RAB (if equipped)****▽ Sonar Audible Alarm**

When the Reverse Automatic Braking (RAB) system is in operation, the warning sound to notify that an obstacle is detected in the rear can be activated or deactivated.

**NOTE**

For models with Reverse Automatic Braking (RAB) system, refer to "Reverse Automatic Braking (RAB) system"  P380.

**▼ Vehicle Setting**

After entering the "Vehicle Setting" menu, select one of the following menus.

**▽ Keyless Entry System**

Sets the settings used when the keyless access function was operated.

- Audible Signal (if equipped)  
Sets the electronic chirp that sounds when the door is locked or unlocked.

- Hazard Warning Flasher  
Sets the operation of the hazard warning flasher that blinks when the door is locked or unlocked.

- Driver Door Unlock (if equipped)  
Select only the driver's door to unlock or all doors to unlock simultaneously when the driver's door is unlocked.

- Rear Gate/Trunk Unlock (if equipped)  
Select only the rear gate to unlock or all doors to unlock simultaneously when accessing from the cargo area.

**▽ Defogger**

Sets and customizes the operation of the defogger.

**▽ Interior Light**

Sets and customizes the interior light off delay timer.

**▽ Auto Door Lock and Unlock**

Setting conditions for "Auto Door Lock and Unlock"

- Auto Door Lock:  
Set the condition of the following items to lock the door automatically.

- Vehicle Speed: When the vehicle speed reaches more than 12 mph (20 km/h).

- Shift Into or Out of PARK: When the select lever is shifted into a position other than the "P" position.

- Off: When the function is set to OFF.

- Auto Door Unlock:  
Set the conditions of the following items to unlock the door automatically.

- Shift Into or Out of PARK: When the select lever is shifted into the "P" position.

- Ignition OFF: When the ignition switch is turned to OFF.

- Driver Door Open: When the driver's door is open.

- Off: When the function is set to OFF.

**▽ Auto Light Sensor**

Sets and customizes the sensitivity of the auto light sensor.

### ▽ Welcome Lighting

Sets the leaving time and approaching time.

- Approaching time set

Sets the illumination time of the headlights that illuminate when you approach the vehicle.

- Leaving time set

Sets the time until the headlights turn off when you have moved away from the vehicle.

### ▽ One-touch lane changer

Sets the one-touch lane changer on/off.

### ▽ Door mirror setting (if equipped)

The reverse tilt-down feature can be activated or deactivated.

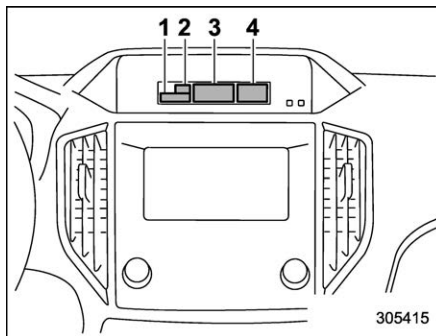
### ▼ Default Settings

Select “Yes” to use the menu screen to restore customized settings (except the “Vehicle Setting” of “Keyless Entry System”, “Defogger”, “Interior Light”, “Auto Door Lock and Unlock”, “Auto Light Sensor”, “Welcome Lighting” and “One-touch lane changer”) to the factory default settings. Select “No” to return to the previous screen without restoring to the factory default settings.

## 3-8. Multi-function display (black and white)

### NOTE

For models with multi-function display (color LCD), refer to “Multi-function display (color LCD)” P208.



- 1) Outside temperature indicator
- 2) X-MODE indicator (if equipped)
- 3) Driving information display
- 4) Clock

With the ignition switch in the “ACC” position, the clock appears on the display.

With the ignition switch in the “ON” position, the outside temperature indicator, driving information display and clock all appear on the display.

### NOTE

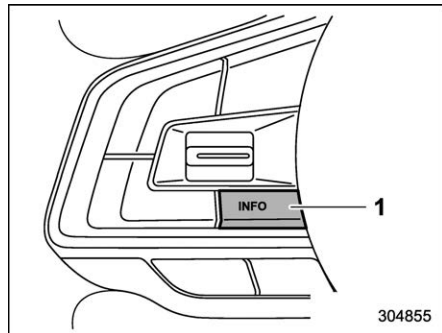
The indicated values vary in accordance with changes in the vehicle’s running conditions. Also, the indicated values may differ slightly from the actual values and should thus be treated only as a guide.

### ■ Driving information display

### NOTE

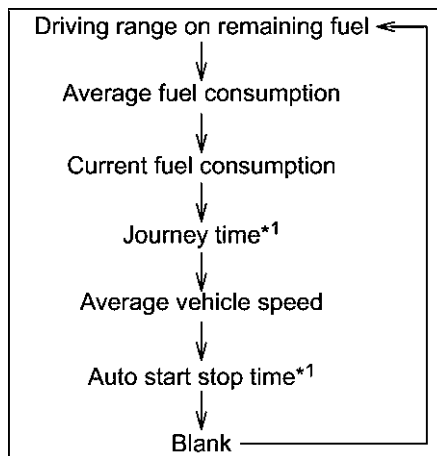
You can set the units for both the multi-function display (black and white) and the combination meter at the same time. For details about setting the language and units, refer to “Type A combination meter” P167 or “Menu screens” P200.

### ▼ How to change the information display



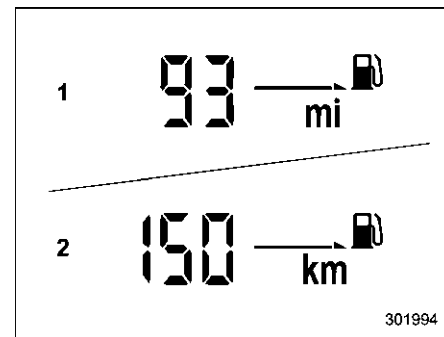
1) INFO button

Pressing the INFO button on the steering wheel switches changes the display to the following sequence.



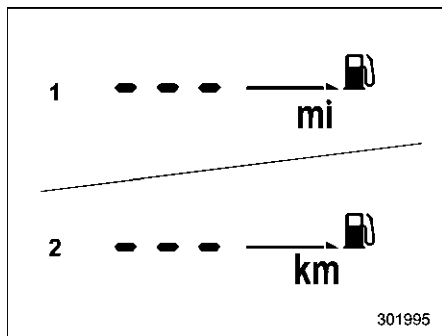
\*1: Models without combination meter display (color LCD)

### ▼ Driving range on remaining fuel



- 1) When setting the displayed unit as MPH
- 2) When setting the displayed unit as km/h

The driving range indicates the distance that can be driven taking into account the amount of fuel remaining in the tank and the average rate of fuel consumption.



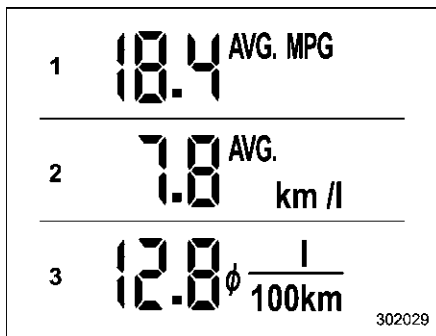
- 1) When setting the displayed unit as MPH
- 2) When setting the displayed unit as km/h

If the driving range is shown as “- - -”, there is only a tiny amount of fuel left in the tank.

### NOTE

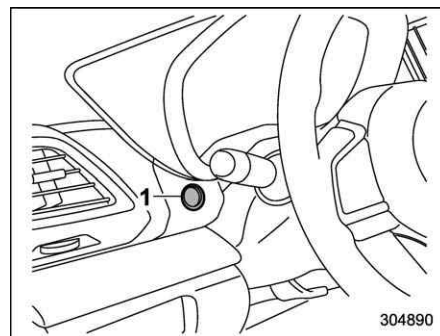
The driving range on the remaining fuel is only a guide. The indicated value may differ from the actual driving range on the remaining fuel, so you must immediately fill the tank when the low fuel warning light illuminates.

### ▼ Average fuel consumption



- 1) Displays the driving range per gallon of fuel
- 2) Displays the driving range per liter of fuel
- 3) Displays the fuel consumption per 100 km

This display shows the average rate of fuel consumption since the trip meter was last reset.



- 1) TRIP RESET switch

Press the TRIP RESET switch to switch between the displays for the average fuel consumption that corresponds to the A trip meter mileage and the average fuel consumption that corresponds to the B trip meter mileage.

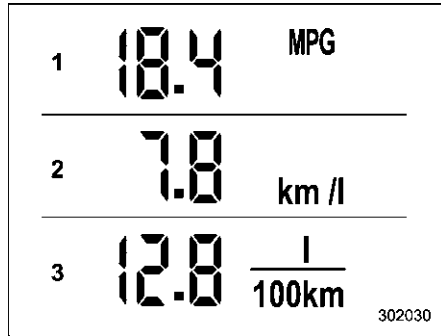
When the trip meter display is reset, the corresponding average fuel consumption value is also reset.

### NOTE

When the trip meter display is reset, the average fuel consumption corresponding to that trip meter display is not shown until the vehicle has subsequently covered a distance of 1 mile (or 1 km).



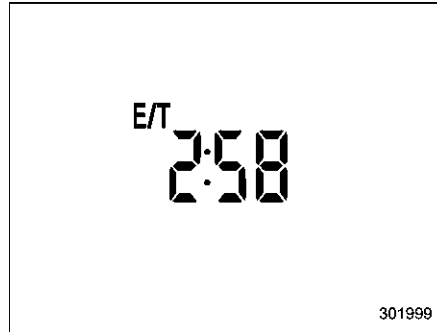
## ▼ Current fuel consumption



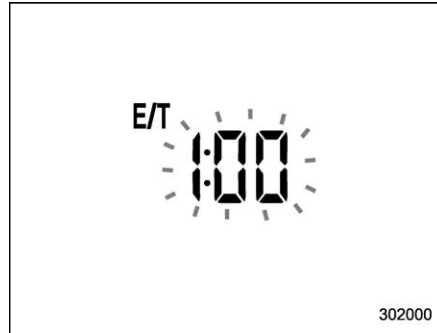
- 1) Displays the driving range per gallon of fuel
- 2) Displays the driving range per liter of fuel
- 3) Displays the fuel consumption per 100 km

This indication shows the rate of fuel consumption at the present moment.

## ▼ Journey time (models without combination meter display (color LCD))



The journey time shows the time that has elapsed since the ignition switch was turned to the "ON" position.

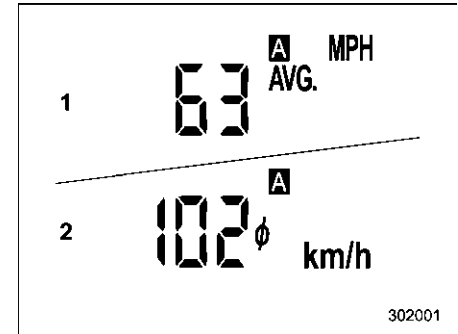


The journey time indication flashes each time a complete hour has elapsed. If the display is giving a reading other than the journey time, the display switches to the journey time, flashes for 5 seconds, and returns to its original reading each time a complete hour has elapsed.

**NOTE**

The journey time is reset when the ignition switch is turned to the "ACC" or "LOCK"/"OFF" position.

## ▼ Average vehicle speed



- 1) When units in miles is selected
- 2) When units in km is selected

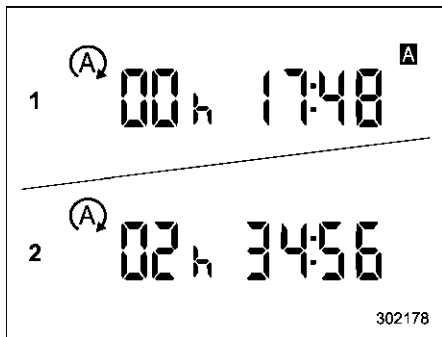
This display shows the average vehicle speed since the trip meter was last reset. Pressing the TRIP RESET switch toggles

the display between the average vehicle speed corresponding to the A trip meter display and the average vehicle speed corresponding to the B trip meter display. When either of the trip meter displays is reset, the corresponding average vehicle speed value is also reset.

**NOTE**

When either trip meter display is reset, the average vehicle speed corresponding to that trip meter display is not shown until the vehicle has subsequently covered a distance of 1 mile (or 1 km).

▼ **Auto Start Stop time (models without combination meter display (color LCD))**



- 1) Total time in conjunction with the trip meter
- 2) Total time in conjunction with the ignition switch

This display shows the total time that the engine was stopped by the Auto Start Stop system in the following ways.

**Total time in conjunction with the trip meter:** Displays the total time that the engine was stopped by the Auto Start Stop system, from the last time the currently displayed trip meter was reset until the current time. By pressing the TRIP RESET switch, you can toggle the display between the time the engine was stopped for trip A and the time the engine was stopped for

trip B.

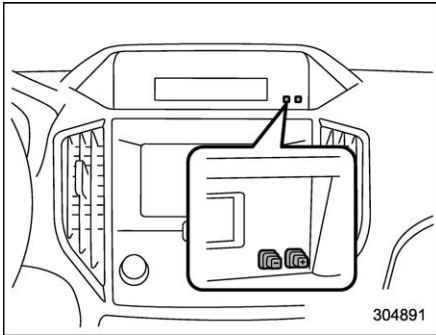
**NOTE**

When the trip meter mileage is reset, the total time in conjunction with the trip meter is not shown until the vehicle has subsequently covered a distance of 1 mile (or 1 km).

**Total time in conjunction with the ignition switch:** Displays the total time that the engine was stopped by the Auto Start Stop system, from the time when the ignition switch was turned to the "ON" position to the current time.

▽ **How to switch the display**

Perform the following operation to toggle the display between the total time in conjunction with the trip meter and the total time in conjunction with the ignition switch.



1. Press and hold the "+" button located on the side of the information display. The stopped time will then flash.
2. Within 5 seconds after the stopped time starts flashing, press and hold the "-" button located on the side of the information display. The display will then change and after flashing for 2 seconds, the stopped time selected will be displayed.
3. Each time the "-" button is pressed and held during the 3 seconds that the display is flashing, the display will change and flash for 2 seconds. If the "-" button is not pressed and held during the 3-second period that the display is flashing, the stopped time selected will be displayed.

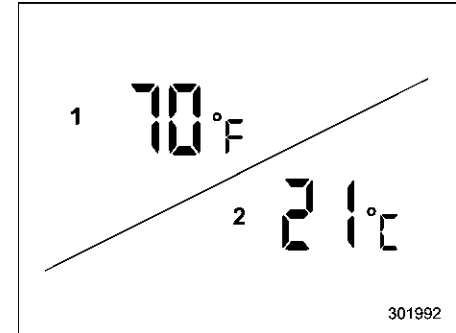
### ▼ Turn off display of driving information display

Select the blank space in the menu to exit the driving information display selection.

### NOTE

- The average fuel consumption and average vehicle speed are calculated even while the driving information display is not displayed.
- Even if you turn off the driving information display, the display will automatically turn on when the battery voltage is disconnected and then re-connected for battery replacement or fuse replacement.

### ■ Outside temperature indicator



- 1) U.S.-spec. models
- 2) Except U.S.-spec. models

### NOTE

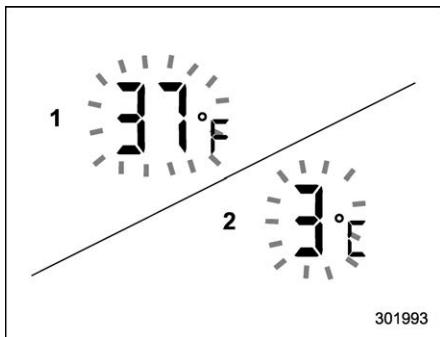
- The outside temperature indicator shows the temperature around the sensor. However, the temperature may not be indicated correctly or the update may be delayed in the following conditions.
  - While parking or driving at low speeds
  - When the outside temperature changes suddenly (example: when going in and out of an underground parking area or when passing

through a tunnel)

– When starting the engine after being parked for a certain period of time

- The temperature unit cannot be changed.

▼ Road surface freeze warning indication



- 1) U.S.-spec. models
- 2) Except U.S.-spec. models

When the outside temperature drops to a certain temperature or lower, the temperature indication flashes for 5 seconds to show that the road surface may be frozen. If the display is already indicating that the outside temperature is low when the ignition switch is turned to the “ON” position, the indication does not flash.

**NOTE**

The outside temperature indication may differ from the actual outside temperature. The road surface freeze warning indication should be treated only as a guide. Be sure to check the condition of the road surface before driving.

■ X-MODE indicator (if equipped)



This indicator will be shown while X-MODE is activated. It will turn off when X-MODE is deactivated.

■ Clock

For details about clock setting, refer to “Clock” P233.

**3-9. Multi-function display (color LCD)**

**NOTE**

For models with multi-function display (black and white), refer to “Multi-function display (black and white)” P202.

**WARNING**

Always pay adequate attention to safe driving when operating the multi-function display (color LCD) while the vehicle is in motion. When operation of the multi-function display (color LCD) is disturbing your awareness and ability to concentrate on driving, stop the vehicle in a safe place before performing operations on the screen. Also, do not concentrate on the display while driving. Doing so may cause you to look away from the road and could result in an accident.

## ■ Features

The multi-function display (color LCD) has the following functions.

Description	Page
Displays useful messages, such as notification, etc.	210
Displays basic screens (e.g. fuel consumption screen, etc.)	211
Sets and adjusts maintenance notification	230

Also, the multi-function display (color LCD) can also be used to set and initialize the multi-function display (color LCD) itself.

## NOTE

- When the vehicle is in motion, certain functions and selections may not be available.
- You can set the language and units for both the multi-function display (color LCD) and the combination meter at the same time. For details about setting the language and units, refer to “Menu screens” P200.
- The images displayed in this Owner’s Manual are sample images. The actual image may vary depending on the market and vehicle specifications.

## ■ Welcome screen

When the driver’s door is opened and closed, the welcome screen will appear for a short time.

## NOTE

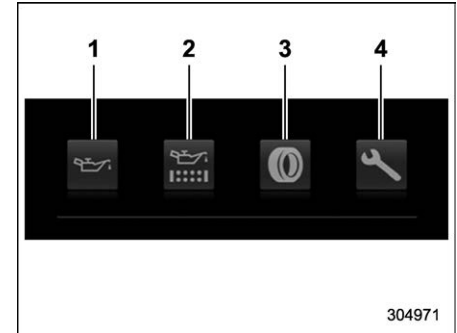
- The welcome screen will disappear when the ignition switch is turned to the “ON” position while the welcome screen is displayed.
- The welcome screen can be set to on or off. For details, refer to “Screen Settings” P200.
- For a certain period of time after the welcome screen has once appeared, it may not appear again even when the driver’s door is opened and closed again. This does not indicate a malfunction.

## ■ Self-check screen

## NOTE

When the setting is “On”, the self-check screen appears. For details about this setting, refer to “On/Off setting” P231.

When the ignition switch is turned to the “ON” position, the vehicle self-check will be performed. The screens corresponding to the following items will appear one after another for several seconds each.



- 1) Engine oil: Checks the interval of engine oil replacement.
- 2) Oil filter: Checks the interval of oil filter replacement.
- 3) Tires: Checks the interval of tire rotation.
- 4) Inspection and maintenance: Checks the interval of inspection and maintenance.

When the checks are performed, the color of the icon corresponding to the checked item will change.

If there is a notification, the message will be displayed. Take the appropriate actions based on the message indicated.

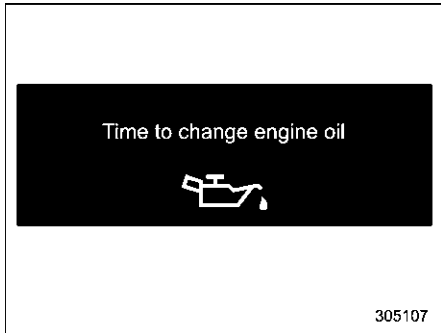
After the self-check is completed, today's date, the stored birthday or the stored anniversary is displayed.

### NOTE

- After performing the maintenance, change the setting of the corresponding maintenance item. For details, refer to "Maintenance settings" P230.
- The maintenance notification screen will be displayed under either of the following conditions.
  - The period of time remaining until the registered notification date is 15 days or less.
  - The total driving distance remaining until the registered notification distance is approximately 311 miles (500 km) or less.
- The maintenance notification screen will be displayed until either of the following conditions is satisfied.
  - The period of time passed after the registered notification date is 15 days or more.
  - The total distance driven after the

registered notification distance is approximately 311 miles (500 km) or more.

### ■ Interruption screen

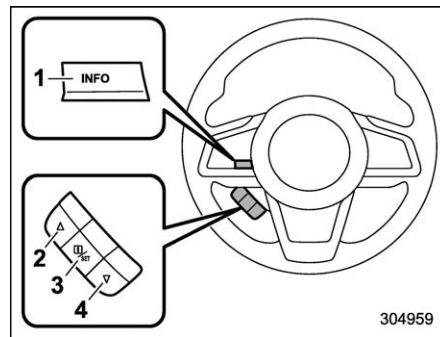


#### Example

Useful messages, such as reminder information, weather information (if equipped) and traffic information (if equipped) may interrupt the current screen and appear on the display accompanied by a beep. Take proper action according to the message.

The interruption screen will return to the original screen after a few seconds. Also, you can press the INFO button to skip the interruption screen.

### ■ Basic operation

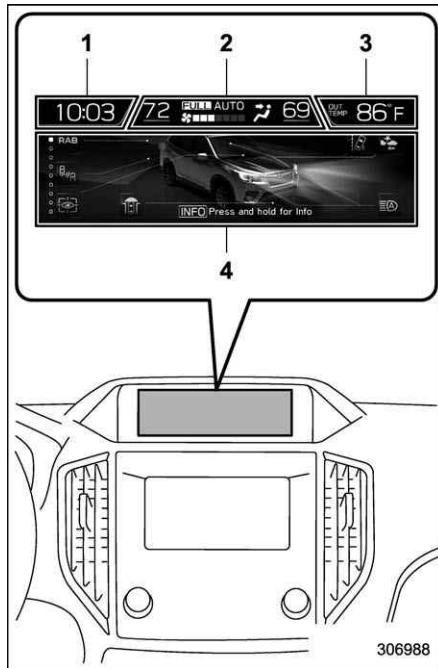


#### Control switch

- 1) INFO button
- 2) ▲
- 3) /SET
- 4) ▼

Press the INFO button on the steering wheel to switch the item displayed on the basic screen. You can operate the items on the setting screen by using the "▲", "▼" and "i/SET" switches.

## Basic screens



- 1) Clock
- 2) Climate control\*
- 3) Outside temperature
- 4) Information screen

\*: This is not displayed on the multi-function display (color LCD) when the ignition switch is in the "ACC" position.

While the ignition switch is in the "ACC" or "ON" position, the basic screen will be displayed.

### Outside temperature indicator

The outside temperature is displayed on the multi-function display (color LCD).

### NOTE

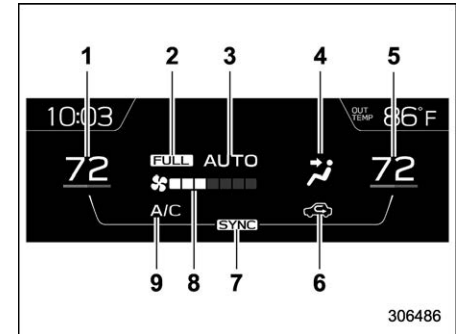
- The outside temperature indicator shows the temperature around the sensor. However, the temperature may not be indicated correctly or the update may be delayed in the following conditions.

- While parking or driving at low speeds
- When the outside temperature changes suddenly (example: when going in and out of an underground parking area or when passing through a tunnel)
- When starting the engine after being parked for a certain period of time

- The temperature unit cannot be changed.

### Climate control screen

The climate control status is displayed on the multi-function display (color LCD).



### Climate control screen

- 1) Set temperature indicator (left-hand side)
- 2) FULL AUTO indicator
- 3) AUTO indicator
- 4) Airflow mode indicator
- 5) Set temperature indicator (right-hand side)\*1
- 6) Air inlet selection indicator
- 7) SYNC indicator\*1
- 8) Fan speed indicator
- 9) Air conditioner ON indicator

\*1: Models with the SYNC function only

When operating the climate control system, the basic screen switches to the climate control screen. For details about climate control operation, refer to "Climate

## 212 Multi-function display (color LCD)

---

control panel" [P267](#).

### ▼ Clock

The clock can be displayed in either 12-hour display or 24-hour display. For details about the setting, refer to "Clock" [P233](#).



### ▼ Information screen

Press the INFO button on the steering wheel to switch the item displayed on the information screen.

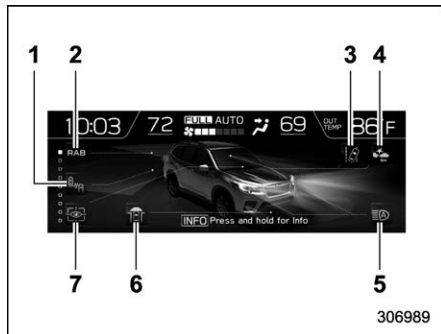
Content	Description	Page
Electric components operating status screen*1	Displays the operating status of the electric components and equipment.	214
Prevention safety screen	Displays the status of your vehicle.	214
EyeSight screen*1	Displays the operating status of EyeSight.	215
Favorite screen	Displays up to 3 optional items.	215
Weather information screen*2	Displays weather information.	216
Traffic information*2/Navigation*3 screen	Displays information linked with the navigation system.	216
Audio screen*3	Displays audio system information.	217
Fuel consumption screen	Displays fuel consumption information.	217
Clock/date screen	Displays the clock.	217
Guidance screen	Moves to the setting screen.	218

\*1: If equipped

\*2: Models with SiriusXM Satellite Radio

\*3: Models with navigation system

▽ Electric components operation screen (if equipped)



- 1) BSD/RCTA\*
- 2) Reverse Automatic Braking (RAB) system\*
- 3) Lane Departure Warning indicator\*
- 4) Pre-Collision Braking System indicator\*
- 5) High beam assist\*
- 6) Front view monitor\*
- 7) Driver Monitoring System\*

\*: If equipped

This screen displays the electric components operation status of the vehicle.

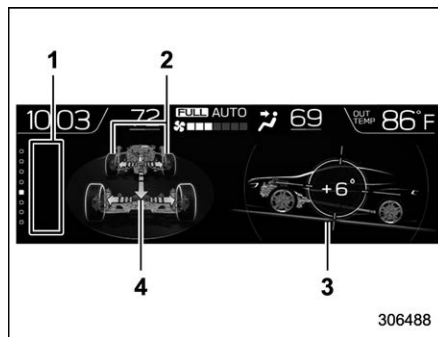
1. Press and hold the “INFO” button to enter the menu screen.
2. Operate the “▲” or “▼” button to select the preferred item.

3. Pull the “i/SET” switch to enter the selected item.

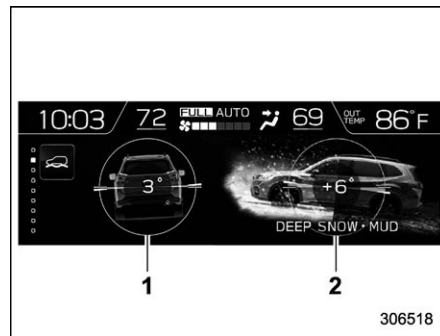
**NOTE**

- Indicators do not display for functions that are not equipped to the vehicle.
- The indicators of functions that are not operating are displayed in gray.

▽ Prevention safety screen



- 1) Telltale screen
- 2) Steering angle
- 3) Vehicle posture
- 4) Running condition



**X-MODE screen**

- 1) Vehicle posture
- 2) X-MODE

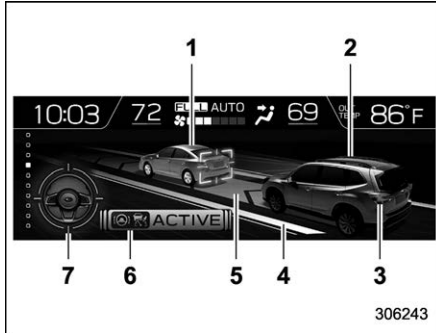
This screen displays the driving status of the vehicle and the operation status functions. For functions that are operating, the indicator will illuminate or flash.

**NOTE**

- The vehicle posture indication may differ from the actual vehicle posture.
- When X-MODE has turned on, the screen of the multi-function display is switched to the prevention safety screen.
- The vehicle posture angle varies not only due to the angle of the road surface, but also due to the vehicle tilt caused by the occupants, cargo, and

acceleration or deceleration.

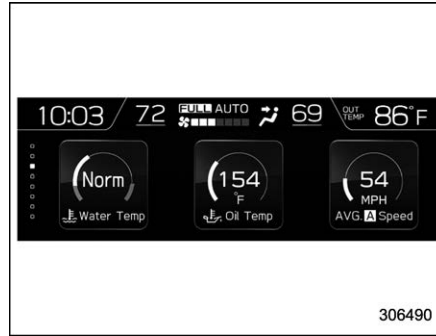
▽ EyeSight screen (if equipped)



- 1) Lead vehicle indicator
- 2) Your own vehicle indicator
- 3) Stop lights
- 4) Road line indicator
- 5) Lane indicator
- 6) Lane Centering indicator
- 7) Steering wheel indicator

This screen displays the status of the EyeSight system. The lead vehicle indicator moves forward and backward depending on the distance with the vehicle in front. For details, refer to the Owner's Manual supplement for the EyeSight system.





▽ Favorite screen



Favorite screen (display example)

This screen displays up to three optional pieces of information that can be selected from the following items.

Item	Details
	The engine coolant temperature is displayed.
	The engine oil temperature is displayed.
	The average vehicle speed is displayed.
	The accelerator opening ratio is displayed.
	The vehicle posture is displayed.
	The current rate of fuel consumption is displayed.
	The direction of the vehicle is displayed.*1
	The weather information is displayed.*2

Item	Details
	The posted speed limit of the road you are currently driving on is displayed.*1
	The calendar is displayed.
	Driver Monitoring System information is displayed.*1
	Nothing is displayed.

\*1: If equipped

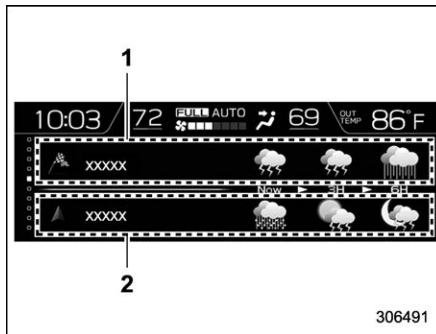
\*2: Models with SiriusXM Satellite Radio

## NOTE

Some displayed items may not be displayed depending on the model and specifications.

The items shown in the favorite screen can be changed. For details, refer to “Favorite setting” P228.

### ▽ Weather information screen (if equipped)



- 1) Weather information for the destination\*
- 2) Weather information for the current location

\*: Only when a destination is set in the navigation system

The weather information is displayed on the screen.

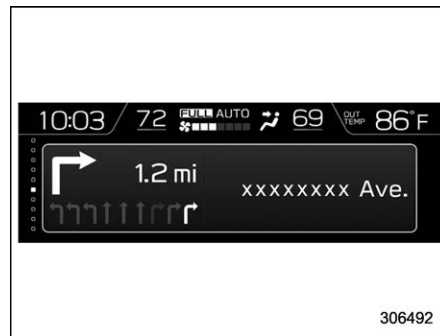
## NOTE

● When all of the following conditions are satisfied, weather information is displayed.

- The vehicle is equipped with an audio and navigation system for SiriusXM satellite radio.
- You have a current SiriusXM satellite radio subscription.

- The weather forecast for the set destination remains displayed until a new destination is set or until you reach the destination.
- Depending on the reception timing of XM, the display of weather information may be delayed.

### ▽ Navigation screen (models with navigation system)



The navigation system information to the destination is displayed on the screen.

## NOTE

When a destination is not set in the navigation system, the compass orientation, name, route sign and speed limit of the road the vehicle is traveling on remain displayed on the screen.

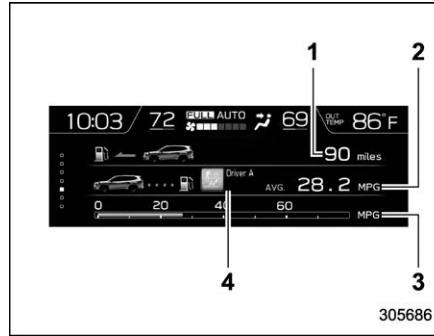
## ▽ Audio screen



The screen of the currently selected audio source is displayed.

For details about how to use the audio set, refer to the separate navigation/audio Owner's Manual.

## ▽ Fuel consumption screen



- 1) Driving range on remaining fuel
- 2) Average fuel consumption corresponding to the driving distance of each trip meter
- 3) Current fuel consumption
- 4) User information (if equipped)

The fuel consumption information is displayed on the screen.

If the driver is recognized by the Driver Monitoring System, average fuel consumption for the driver will be displayed.

**NOTE**

**The driving range on the remaining fuel is only a guide. The indicated value may differ from the actual driving range on the remaining fuel, so you must immediately fill the tank when the low fuel**

warning light illuminates.

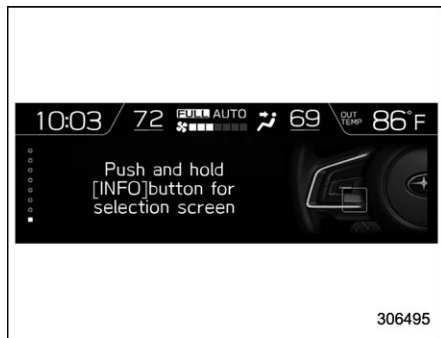
## ▽ Clock/date screen



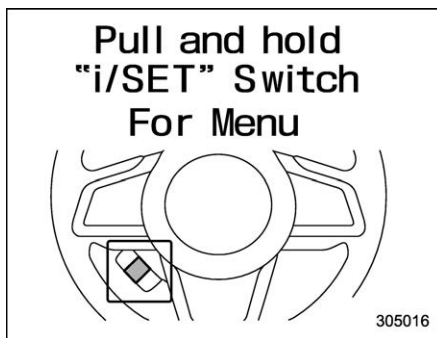
The time and date are displayed.

You can adjust the time and date. For details, refer to "Clock" P233.

▽ Guidance screen



When the INFO button on the steering wheel is pressed and held on this screen, the setting screen can be displayed. For details, refer to “Setting screen” P218.



**NOTE**

**When the combination meter display (color LCD) is displaying the menu screen entering screen, the system will not move to the setting screen even if the INFO button is pressed and held.**

■ Setting screen

1. Press and hold the INFO button on the guidance screen. The top menu is displayed.
2. Operate the “▲” or “▼” switch to select the preferred menu from the top menu.
3. Pull the “i/SET” switch to enter the selected menu.
4. Operate the “▲” or “▼” switch to select the preferred menu from the 2nd menu.
5. Pull the “i/SET” switch to enter the selected menu.

The menu lists are as follows.

**Items that can be set when stopped:**

Top menu	2nd menu	Description		Page
Date	Birthday	Set a birthday.		221
	Anniversary	Set an anniversary day.		221
	Go Back	Return to the 1st menu.		—
Driver Monitoring System	Repeat facial scan	Perform the user recognition.	Yes or No	221
	User Recognition	Turn the user recognition settings on or off.	On or Off	227
	Automatically retract seat on entry	Turn the automatically retract seat on entry function on or off.	On or Off	226
	Register User	Register the user.		222
	Update User Settings	Re-register the driver's position.		225
	Delete Driver Position	Delete the registered driver's position.		226
	Delete User	Delete the registered user.		224
	Delete All Users	Delete the registered all user.	Yes or No	225
	Go Back	Return to the 1st menu.		—
Display/Beep	Screen Off*	Turn the screen off.	Yes or No	227
	Favorite	Set and customize the triple meter.		228
	Bypass Screen	Set the bypass screen for each item.	On or Off	228
	Beep	Adjust the beep sound volume.	High, Low or Off	228
	Go Back	Return to the 1st menu.		—
Climate control	Mode Setting	Set the operation of the automatic climate control.	Normal, Mild, ECO or Power	229
	Occupant Detection	Set the operation of the climate control depending on passenger.	On or Off	229
	Go Back	Return to the 1st menu.		—

## 220 Multi-function display (color LCD)

Top menu	2nd menu	Description	Page
Camera settings	Brightness	Set and adjust the brightness of a display.	229
	Contrast	Set and adjust the contrast of a display.	230
	Camera Shift Link	Set the camera shift link.	On or Off 230
	Go Back	Return to the 1st menu.	—
Maintenance	Engine Oil	Set and adjust the oil maintenance notification date.	230
	Oil Filter	Set and adjust the oil filter maintenance notification date.	231
	Tires	Set and adjust the tire maintenance notification date.	231
	Maintenance Schedule	Set and adjust the vehicle maintenance notification date.	231
	ON/OFF	Turn on or off the self-check screen that is activated when the ignition switch is turned to the "ON" position.	On or Off 231
	Clear All Settings	Clear all settings for maintenance items.	Yes or No 232
	Go Back	Return to the 1st menu.	—
Initialize	—	Reset all settings to the default settings.	Yes or No 232
Go Back	—	Return to the setting screen.	—

\*: You can also set this while driving.

### Items that can be set while driving:

Menu	Description	Page
Screen Off	Turn the screen off.	Yes or No 227
Go Back	Return to the settings screen.	—

For safety reasons, we recommend stopping the vehicle in a safe location while setting.



## ▼ Date and time settings

You can set the date, time and 12h or 24h format settings.

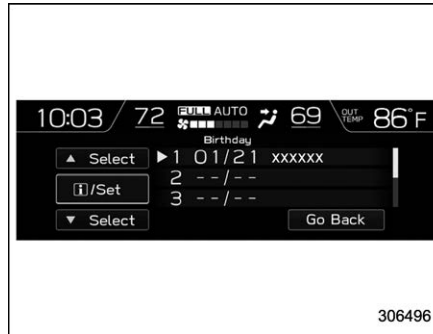
### ▽ Current date and time setting

For details about clock setting, refer to “Clock” [P233](#).

### ▽ Birthday setting

If a birthday or anniversary is approaching, a message will be displayed when the ignition switch is turned to the “ON” position. This function can be set to on or off. For details, refer to “Bypass screen setting” [P228](#).

1. Select “Birthday” from the 2nd menu in the setting screen. Refer to “Setting screen” [P218](#).



306496

2. Select from the list the number that you want to register.



306497

3. Enter the date and the text by using the control switches.

4. Select “Set” to exit settings. Select “Go Back” to return to the previous screen without applying the setting changes.

## NOTE

**You can store a maximum of 5 birthdays.**

### ▽ Anniversary setting

1. The procedure for setting an anniversary is the same as “Birthday setting” [P221](#), except that in step 1 “Anniversary” is selected.

## NOTE

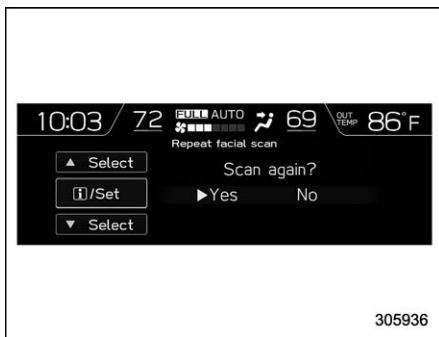
**You can store a maximum of 5 anniversaries.**

## ▼ Driver Monitoring System settings

You can set the Driver Monitoring System settings.

### ▽ Repeat facial scan

1. Select “Repeat facial scan” from the 2nd menu in the settings screen. Refer to “Setting screen” [P218](#).



2. Select “Yes” to start the repeat facial scan. Select “No” to return to the previous screen.
3. While seated in the driver’s seat, face straight forward and wait for a few moments.



When user recognition is completed, the Hello screen appears and the screen then switches to the basic screen associated with the user information.

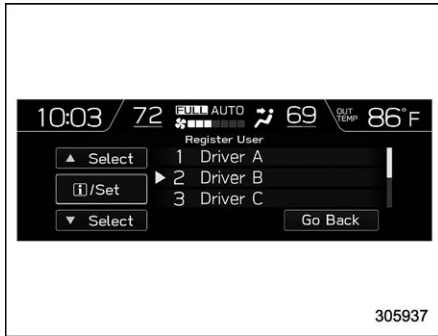
### ▽ Register User

1. Adjust the seat position, outside mirror angle, and reverse tilt-down outside mirror angle so that you are seated in the correct driving posture.

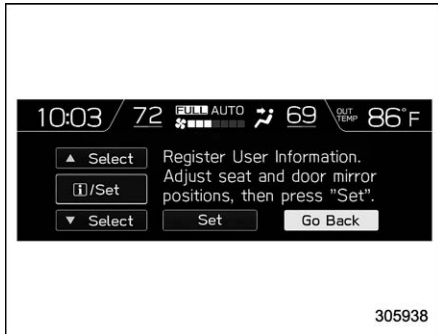
### NOTE

- Start the user registration after adjusting the seat position, outside mirror angle, and reverse tilt-down outside mirror angle. If they are adjusted during user registration, it may be disrupted. Refer to “Power seat” P36 or “Outside mirrors” P257.
- If the ignition switch is turned to the “OFF” position before user registration is complete, the information of the adjusted seat position, outside mirror angle, and reverse tilt-down outside mirror angle will not be saved.

2. Select “Register User” from the 2nd menu in the settings screen. Refer to “Setting screen” P218.

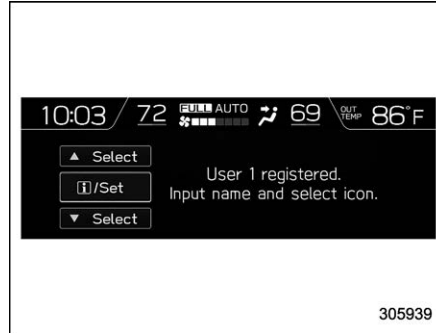


3. Select from the list the number that you want to register.

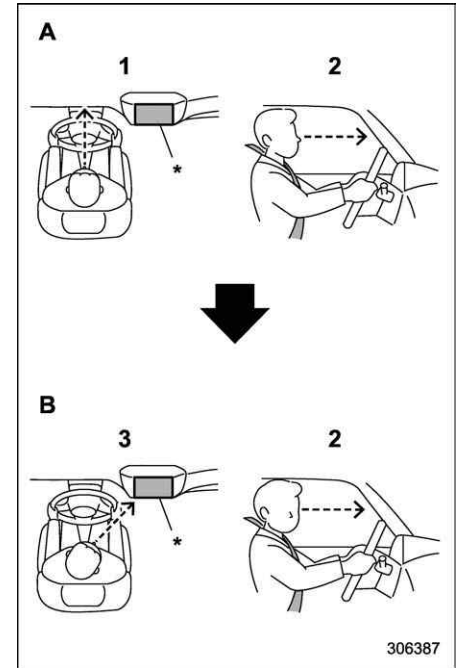


4. Select "Set" to start the registration facial scan. Select "Go Back" to return to the previous screen.

5. While seated in the driver's seat, face straight forward and wait for a few moments.



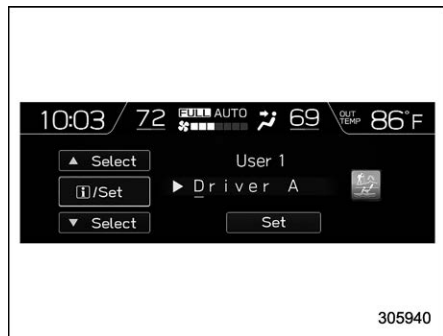
When the screen changes, the registration facial scan is completed.



- A) Forward direction
- B) Display direction
- 1) Face forward.
- 2) Do not lower your chin.
- 3) Face the display.
- \*: Display

**NOTE**

- If user registration cannot be performed, turn your face forward as shown in the illustration, then turn to the display.
- If “Unable to register” appears, repeat the procedure beginning from step 4.
- There are some cases where user registration cannot be registered properly. In those cases, refer to “Driver Monitoring System” P391.



6. Enter the text using the control switches.
7. Set the desired icons using the control switches.
8. Select “Set” to exit the settings screen.



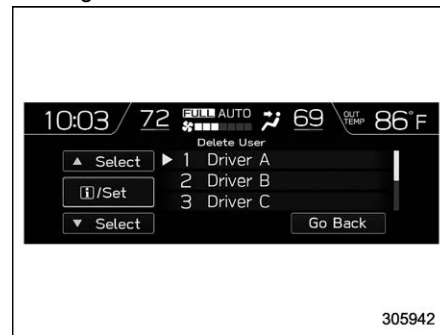
**NOTE**

- A screen recommending user registration appears at the following times.
    - When the driver has not completed user registration
    - When there are 4 or fewer registered users
- Operate the control switch and select “Yes” to display the screen in step 3. Then follow the registration procedure to complete user registration.
- An existing user can be overwritten by selecting a registered number. When a user is registered by overwriting, the individual fuel economy data is reset.

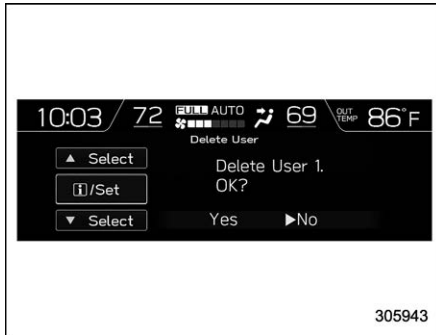
- When “User Recognition” is set to OFF, user registration cannot be selected.

▽ Delete User

1. Select “Delete User” from the 2nd menu in the settings screen. Refer to “Setting screen” P218.



2. Select from the list the number that you want to register.

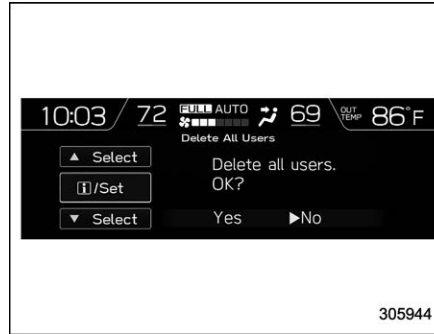


305943

3. Select “Yes” to delete the number. Select “No” to return to the previous screen.

### ▽ Delete All Users

1. Select “Delete All Users” from the 2nd menu in the settings screen. Refer to “Setting screen” [P218](#).

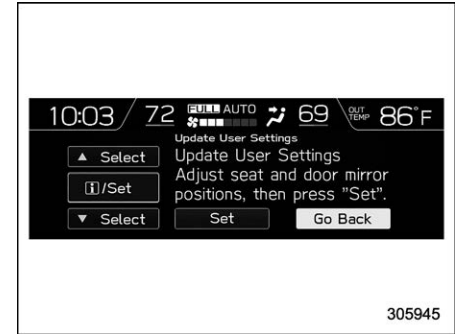


305944

2. Select “Yes” to delete all the users. Select “No” to return to the previous screen.

### ▽ Update User Settings

1. Select “Update User Settings” from the 2nd menu in the settings screen. Refer to “Setting screen” [P218](#).



305945

2. Select “Set” to re-register the driver position. Select “Go Back” to return to the previous screen.

### NOTE

- Start the user registration after adjusting the seat position, outside mirror angle, and reverse tilt-down outside mirror angle. If they are adjusted during user registration, it may be disrupted. Refer to “Power seat” [P36](#) or “Outside mirrors” [P257](#).

- If the ignition switch is turned to the “OFF” position before user registration is complete, the information of the adjusted seat position, outside mirror angle, and reverse tilt-down outside mirror angle will not be saved.

▽ Delete Driver Position

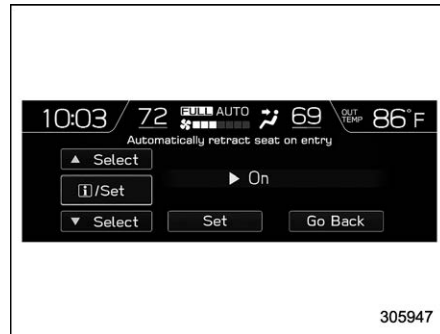
1. Select “Delete Driver Position” from the 2nd menu in the settings screen. Refer to “Setting screen” P218.



2. Select “Yes” to delete the driver position. Select “No” to return to the previous screen.

▽ Automatically retract seat on entry setting

1. Select “Automatically retract seat on entry” from the 2nd menu in the settings screen. Refer to “Setting screen” P218.



2. Select “On” or “Off” to turn the auto entry/exit function on or off by using the control switches.
3. Select “Set” to exit settings. Select “Go Back” to return to the previous screen.

### ▽ User Recognition settings

1. Select “User Recognition” from the 2nd menu in the settings screen. Refer to “Setting screen” P218.



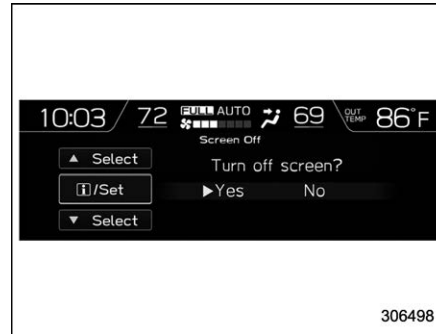
2. Select “On” or “Off” to turn the User Recognition settings on or off by using the control switches.
3. Select “Set” to exit settings. Select “Go Back” to return to the previous screen.

### ▼ Display/Beep settings

You can set the display settings and volume settings.

#### ▽ Screen OFF setting

1. Select “Screen Off” from the 2nd menu in setting screen. Refer to “Setting screen” P218.



2. Select “Yes” to turn off the screen. Select “No” to return to the previous screen.

### Restoring the screen

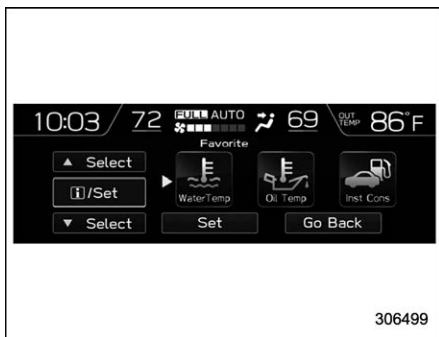
When the INFO button is operated after the ignition switch is turned to the “ON” or “ACC” position, the screen will be restored. The screen will be restored with the basic screen that was displayed when the screen was turned off.

### NOTE

**While the screen is off, the screen switches to the climate control screen only when the climate control system is operated.**

▽ Favorite setting

1. Select “Favorite” from the 2nd menu in setting screen. Refer to “Setting screen” P218.



2. Set the desired items by using the control switches. For details about items, refer to “Favorite screen” P215.
3. Select “Set” to exit settings. Select “Go Back” to return to the previous screen without applying the setting changes.

**NOTE**

- You can display a maximum of the 3 items.
- The same item cannot be selected for the left, center or right location.
- Weather information for 3 hours later or 6 hours later can be displayed.

▽ Bypass screen setting

1. Select “Bypass Screen” from the 2nd menu in the setting screen. Refer to “Setting screen” P218.



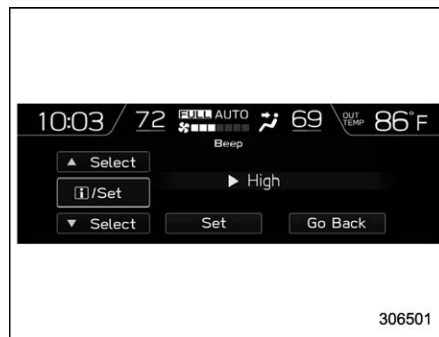
2. Select “On” or “Off” to turn the display of items on or off by using the control switches.
3. Select “Set” to exit settings. Select “Go Back” to return to the previous screen without applying the setting changes.

**NOTE**

Traffic information setting is only displayed for the audio unit with SiriusXM satellite radio.

▽ Beep setting

1. Select “Beep” from the 2nd menu in the setting screen. Refer to “Setting screen” P218.



2. Set the beep volume by using the control switches.
3. Select “Set” to exit settings. Select “Go Back” to return to the previous screen without applying the setting changes.

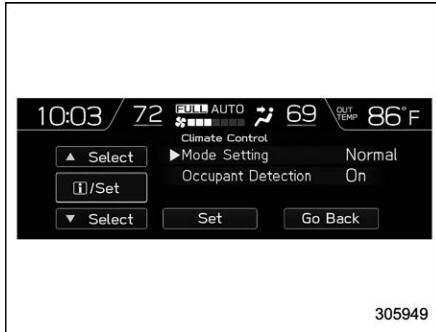


### ▼ Climate Control settings

You can set the climate control settings.

#### ▽ Mode Setting

1. Select “Mode Setting” from the 2nd menu in the setting screen. Refer to “Setting screen” P218.

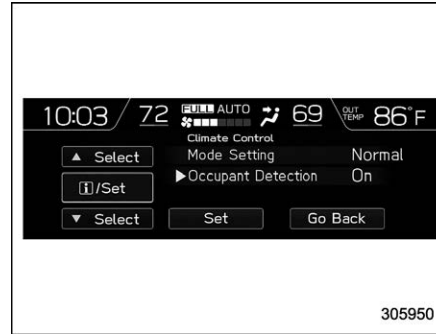


2. Select “Normal”, “Mild”, “Power” or “ECO” by using the control switches. For details about “Mode Setting”, refer to “Automatic climate control customization (for type B and C)” P272.

3. Select “Set” to exit settings. Select “Go Back” to return to the previous screen without applying the setting changes.

### ▽ Occupant detection settings

1. Select “Occupant Detection” from the 2nd menu in the setting screen. Refer to “Setting screen” P218.



2. Select on or off to turn the occupant detection on or off by using the control switches.

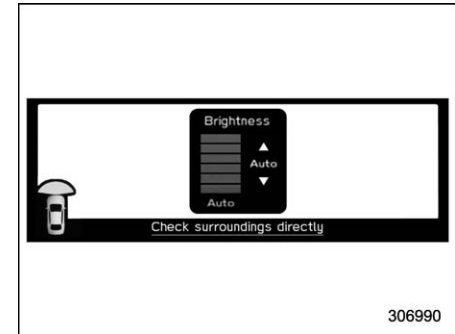
3. Select “Set” to exit settings. Select “Go Back” to return to the previous screen without applying the setting changes.

### ▼ Camera settings (if equipped)

You can set the front camera display settings.

#### ▽ Brightness setting

1. Select “Brightness” from the 2nd menu in the setting screen. Refer to “Setting screen” P218.

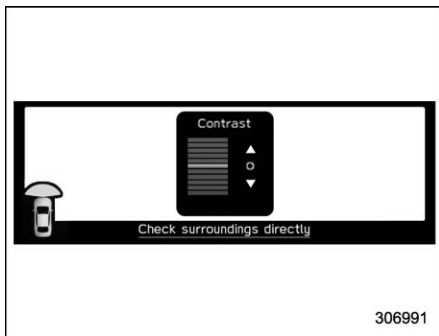


2. Select the brightness level by using the control switches.

3. Press the “/SET” button to confirm the setting.

▽ Contrast setting

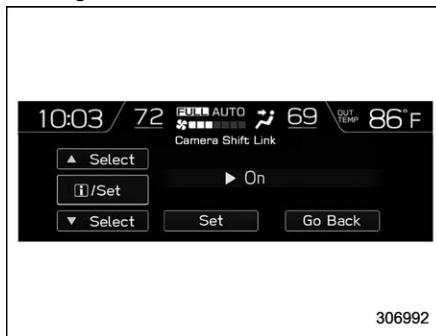
1. Select “Contrast” from the 2nd menu in the setting screen. Refer to “Setting screen” P218.



2. Select the contrast level by using the control switches.
3. Press the “i/SET” button to confirm the setting.

▽ Camera shift link setting

1. Select “Camera Shift Link” from the 2nd menu in the setting screen. Refer to “Setting screen” P218.



2. Select “On” or “Off” by using the control switches.
3. Select “Set” to exit settings. Select “Go Back” to return to the previous screen without applying the setting changes.

▼ Maintenance settings

You can set maintenance reminders.

▽ Engine oil setting

1. Select “Engine Oil” from the 2nd menu in the setting screen. Refer to “Setting screen” P218.



2. Set the date and distance of the reminder by using the control switches.
3. Select “Set” to exit settings. Select “Update” to change the notification distance to the default value. Select “Go Back” to return to the previous screen without applying the setting changes.

**NOTE**

- The reminder will be displayed by either date or distance in accordance with the setting.
- Even when either “Day” or “Distance” are displayed as “\_ \_” a pop-up screen will appear.
- The reminder will be displayed until either of the following conditions is satisfied.
  - The period of time passed after the registered notification date is 15 days or more.
  - The total distance driven after the registered notification distance is approximately 311 miles (500 km) or more.

▽ **Oil filter setting**

The setting procedure is the same as “Engine oil setting” ⒸP230, but select the “Oil Filter” item in step 1.

▽ **Tires setting**

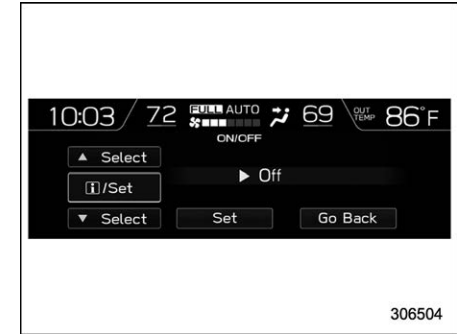
The setting procedure is the same as “Engine oil setting” ⒸP230, but select the “Tires” item in step 1.

▽ **Maintenance schedule setting**

The setting procedure is the same as “Engine oil setting” ⒸP230, but select the “Maintenance Schedule” item in step 1.

▽ **On/Off setting**

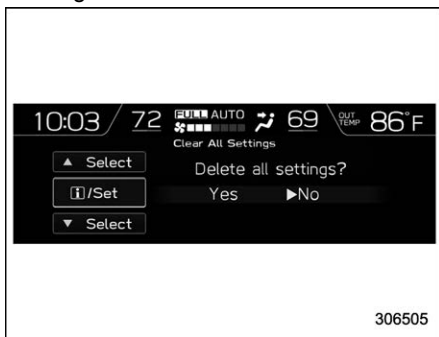
1. Select “On/Off” from the 2nd menu on the setting screen. Refer to “Setting screen” ⒸP218.



2. Select “On” or “Off” to turn the opening screen on or off by using the control switches.
3. Select “Set” to exit settings. Select “Go Back” to return to the previous screen without applying the setting changes.

▽ Clear setting

1. Select “Clear All Settings” from the 2nd menu on the setting screen. Refer to “Setting screen” P218.



2. Select “Yes” or “No” by using the control switches.

▼ Initialize

You can initialize the items that have been set to your preference.

1. Select “Initialize” from the 2nd menu on the setting screen. Refer to “Setting screen” P218.



2. Select “Yes” or “No” by using the control switches.

**NOTE**

**You cannot initialize the items if the Driver Monitoring System is not operated.**

**■ How to get the source code using the open source**

Free/Open Source Software Information

This product contains Free/Open Source Software (FOSS).

The license information and/or the source code of such FOSS can be found at the following URL.

<http://www.globaldenso.com/en/open-source/ivi/subaru/>

## 3-10. Clock

For models with a SUBARU genuine navigation and/or audio system, the clock can be adjusted using either auto mode or manual mode.

- Auto mode: automatic clock adjustment
- Manual mode: manual clock adjustment



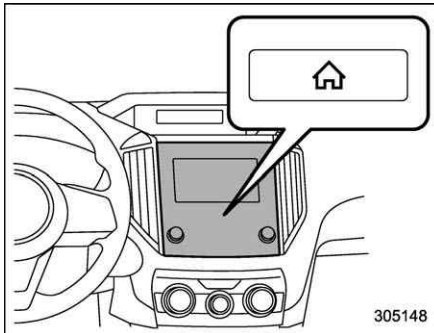
### CAUTION


The clock in the multi-function display (color LCD) cannot be adjusted, if the SUBARU genuine navigation and/or audio system is removed.

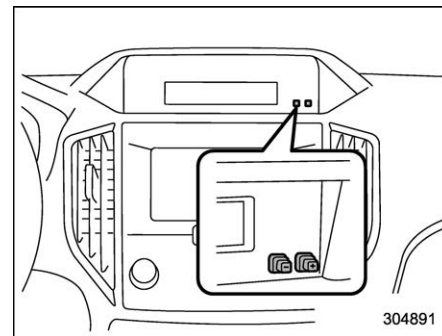
## ■ Setting the clock manually

### ▼ Type A multi-function display (black and white)

1. Turn the ignition switch to "ON".



2. Press the  button.
3. Select "Settings".
4. Select "Vehicle".
5. Select "Time/Date" and then select "Manual".



6. Press the "+" button or the "-" button beside the clock.

### ▼ Setting 12-hour or 24-hour display

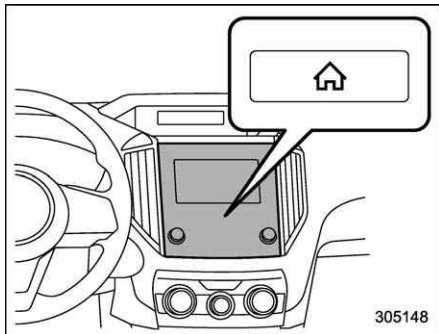
The clock can be set to 12-hour or 24-hour display. Perform the following procedure to switch the display format.


1. Turn the ignition switch in the "LOCK"/"OFF" position.
2. Press and hold the "-" button located near the clock display for approximately 5 seconds. The clock display will then start to flash.
3. While the clock display is flashing, press and hold the "+" button for approximately 2 seconds. The clock format will then change.

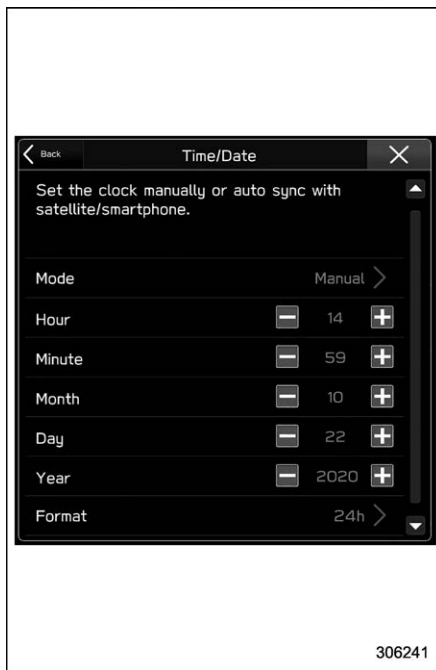
4. The clock display will continue to flash for approximately 3 seconds to indicate that the clock display has been changed.


#### ▼ Type B multi-function display (color LCD)

1. Turn the ignition switch to "ON".



2. Press the  button.
3. Select "Settings".
4. Select "Vehicle".
5. Select "Time/Date" and then select "Manual".



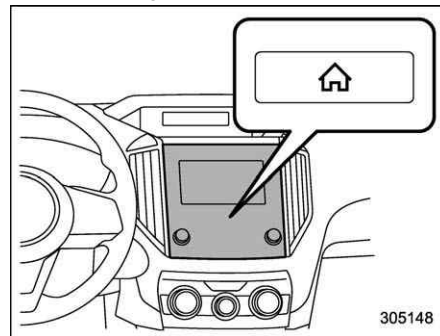
6. Set the each items plus and minus.
  7. Select  to complete the clock setting.
- Select "Back" to return to the previous screen without saving settings.


#### NOTE


- Adjust the time, then select 12h display or 24h display from the format.
- The Birthday/Anniversary and maintenance reminder system function are based on the time and date on the multi-function display (color LCD).

#### ■ Setting the clock automatically

1. Turn the ignition switch to "ON".



2. Press the  button.
3. Select "Settings".
4. Select "Vehicle".
5. Select "Time/Date" and then select "Auto".

6. Press the  button again to complete the setting.

#### ▼ Models with navigation system

The clock will be set automatically where a GPS signal is available.

#### ▼ Models without navigation system

The clock will be set and adjusted automatically when a smartphone is connected via Bluetooth® for transferring phonebook data.

1. Register the smartphone to the audio system. For details, refer to “Bluetooth SETTINGS” in the supplemental Owner’s Manual for the audio/navigation system.
2. Transfer phonebook data to the system. For details, refer to “Bluetooth SETTINGS” in the supplemental Owner’s Manual for the audio/navigation system. The clock will be adjusted automatically.

### NOTE

Depending on the model of smartphone, the settings of the connected smartphone may need to be changed. (ex: For iOS or other models, notification settings may need to be activated.) For details, check the instructions on connecting smartphones.

### ■ Regulatory information



The Bluetooth® word mark and logos are registered trademarks owned by Bluetooth SIG, Inc.





## 3-11. Light control switch

### ■ Precautions and tips



- Use of any lights for a long period of time while the engine is not running can cause the battery to discharge.
- Before leaving the vehicle, make sure that the lights are turned off. If the vehicle is left unattended for a long time with the lights illuminated, the battery may be discharged.

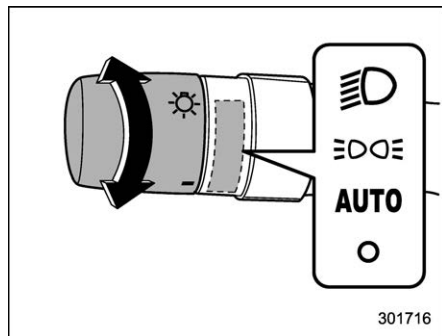
### NOTE

- Even if the key is removed from the ignition switch, the lights can be illuminated by operating the light control switch from the “O” (off) position to the “” or “” position (models without “keyless access with push-button system”).
- Even if the push-button ignition switch is turned off, the lights can be illuminated by operating the light control switch from the “O” (off) position to the “” or “” position (models with “keyless access with push-button start”).

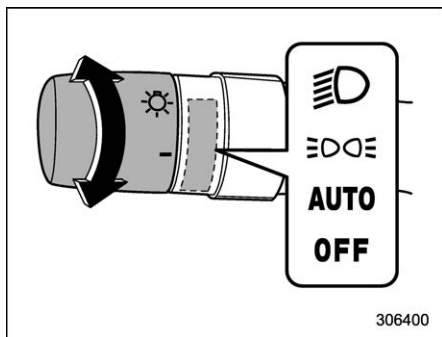
system”).

- If the driver’s door is opened while the lights are illuminated and the key is removed from the ignition switch, the chirp sound will inform the driver that the lights are illuminated.

## ■ Headlights



Except for Canada models



For Canada models

To turn on the headlights, turn the knob on the end of the turn signal lever.

### ☀️ position:

Instrument panel illumination, headlights, parking lights, front side marker lights, rear side marker lights, tail lights and license plate lights are on.

### ☀️☀️ position:

Instrument panel illumination, parking lights, front side marker lights, rear side marker lights, tail lights and license plate lights are on.

### “AUTO” position:

#### • Auto on/off headlights

When the ignition switch is in the “ON” position, the instrument panel illumination, headlights, parking lights, front side mar-

ker lights, rear side marker lights, tail lights and license plate lights are automatically on or off depending on the level of the ambient light.

## NOTE

- The sensitivity of the auto on/off headlights can be changed by a SUBARU dealer. Consult your SUBARU dealer for details. Also, for models with a combination meter display (color LCD), the setting can be changed using the display. For details, refer to “Vehicle Setting” P201.

- If the light control switch is in the “AUTO” position and the headlights do not turn on when it becomes dark outside, turn the light switch to the ☀️ position. If this happens, have your vehicle inspected by your SUBARU dealer as soon as possible.

“O” position (except for Canada models):

The headlights are all off.

“OFF” position (for Canada models):

The headlights are all off \*1\*2.

\*1: When the light switch is switched to the “OFF” position while the vehicle is stopped, the lights turn off. Then the light switch will automatically return to the “AUTO” position.



\*2: The headlights will automatically change to the AUTO mode when the following conditions are met:

- The engine is running.
- The parking brake is fully released.
- For CVT models, the select lever is in a position other than the “P” position.

#### ● Auto-on/off wiper-linked headlights

While the light control switch is in the “AUTO” position, the headlights will automatically turn on when the windshield wipers operate several times. The headlights will automatically turn off when the wipers stop.

### NOTE

**The ON/OFF setting of this function can be changed by a SUBARU dealer. Consult your SUBARU dealer for details.**

#### ▼ Welcome lighting function

The welcome lighting function turns on the low beam headlight for smooth approaching to or exiting from the vehicle at night or in a dark place.

The function is activated while all of the following conditions are met.

- The light control switch is in the “AUTO” position.

- It is dark enough to turn on the auto on/off headlights.

### NOTE

**If the engine is turned off after turning off the light switch, the welcome lighting function may not operate (Canada models).**

#### When approaching:

While the welcome lighting function is activated, the low beam headlights, instrument panel illumination, parking lights, front side marker lights, rear side marker lights, tail lights and license plate lights will automatically illuminate when unlocking the doors and the rear gate by using the remote keyless entry system.

The lights will remain illuminated for 30 seconds\*1 and then turn off. However, if any of the following operations is done, the lights will turn off.

- The doors are locked.
- The light control switch is turned to a position other than “AUTO”.
- The ignition switch is turned to the “ON” position.

#### When exiting:

While the welcome lighting function is activated, the low beam headlights, instrument panel illumination, parking lights,

front side marker lights, rear side marker lights, tail lights and license plate lights will remain illuminated even when either of the following operation is done.

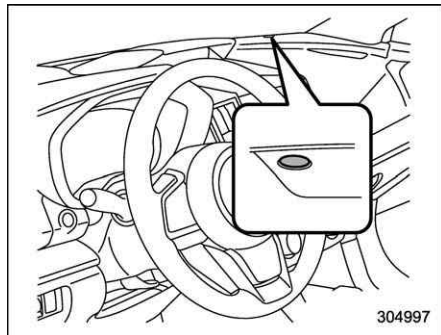
- The push-button ignition switch is turned to the “OFF” status (models with “keyless access with push-button start system”).
- The key is pulled out from the ignition switch (models without “keyless access with push-button start system”).

The lights will turn off under any of the following conditions.

- 3 minutes have passed since the lights were illuminated by the welcome lighting function.
- 30 seconds have passed since the door is opened and closed.\*1
- The light control switch is turned to a position other than “AUTO”.
- The locking procedure is performed twice. When performing the unlocking procedure after performing the locking procedure, perform the locking procedure twice again.

\*1: The setting for the period of time in which the low beam headlights remain on by the welcome lighting function can be changed by a SUBARU dealer. Contact your SUBARU dealer for details.

▼ Sensor for the auto on/off headlights

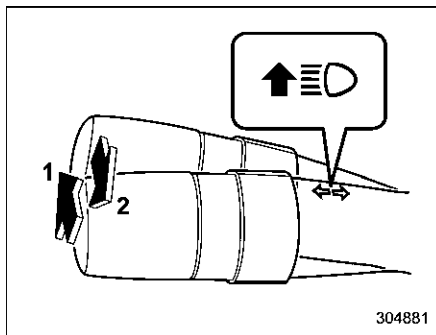


The sensor is as shown in the illustration.


**CAUTION**

If any object is placed on or near the sensor, the sensor may not detect the level of the ambient light correctly and the auto on/off headlights may not operate properly.

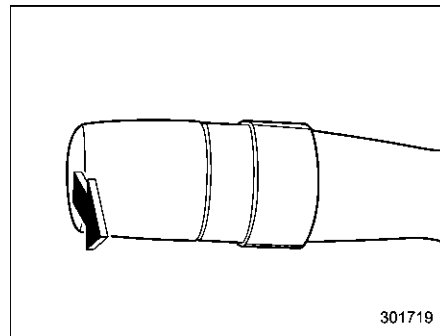
■ High/low beam change (dimmer)



- 1) High beam
- 2) Low beam

When the headlights are on high beam, the high beam indicator light “” on the combination meter is also on.


■ Headlight flasher



**CAUTION**

**Do not hold the lever in the flashing position for more than just a few seconds.**

To flash the headlights, pull the lever toward you and then release it. The high beam will stay on for as long as you hold the lever.

When the headlights are on high beam, the high beam indicator light “” on the combination meter also illuminates.

## ■ High beam assist function (if equipped)

### NOTE

- The high beam assist function utilizes the stereo camera installed at the position of the upper side of windshield.
- For details on how to handle the stereo camera, refer to the Owner's Manual supplement for the EyeSight system.

The high beam assist function automatically changes the headlight from high beam to low beam (or vice versa).

When all of the following conditions are met, the headlight will change to high beam.

- When the vehicle speed increases to or above 20 mph (32 km/h).
- There is no preceding or oncoming vehicle.
- The forward area of the vehicle is dark.
- The road does not have a sharp curve.

When any of the following conditions are met, the headlight will change to low beam.

- When the vehicle speed decreases to or below 10 mph (16 km/h).
- When the forward area of the vehicle is bright.

- When there is a preceding or oncoming vehicle.
- When the EyeSight system is malfunctioning or is temporarily stopped.

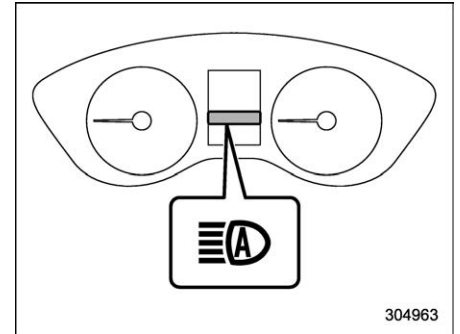
### NOTE

- Do not overestimate the capacity of the high beam assist function. The driver always has the responsibility to understand the surrounding situation, to drive safely, and to change the headlight mode manually if necessary.
- The factory setting (default setting) for this function is set as "operational". This setting can be changed to OFF (non-operation) at SUBARU dealers. For more details, contact a SUBARU dealer.

### ▼ How to use the high beam assist function

The high beam assist function will be activated when all the following conditions are met.

- The light control switch is in the "AUTO" position and the low beam headlights are on automatically.
- The turn signal lever is pushed forward.



High beam assist indicator light

When the high beam assist function is activated, the high beam assist indicator light on the combination meter will illuminate.



### NOTE


If the high beam assist function is malfunctioning or is temporarily stopped, the headlight will be fixed at low beam.

### ▼ How to temporarily lower the sensitivity of the high beam assist function

The sensitivity of the high beam assist function can be lowered by performing the following operations.

1. Before turning the ignition switch to the “ON” position, set the light control switch to the “AUTO” position and push the signal lever forward (high beam position).

2. Turn the ignition switch to the “ON” position and within approximately 15 seconds, press the “/“” (following distance setting) switch more than 10 times consecutively.

When the sensitivity of the high beam assist function is lowered, the high beam assist indicator light “” on the combination meter will flash.

## NOTE


- The sensitivity of the high beam assist function cannot be lowered in the following conditions.
  - Cruise control or Adaptive Cruise Control indicator is illuminated.
  - The EyeSight warning indicator (yellow) is illuminated.
- The sensitivity of the high beam assist function returns to normal level the next time the ignition switch is turned to the “LOCK”/“OFF” position and the engine is restarted.

## ▼ How to change the headlight mode manually

### Change to the low beam:

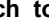
When you return the turn signal lever to the center position, the high beam assist function will turn off and the high beam assist indicator light will turn off.

### Change to the high beam:

When you turn the light control switch to the “” position, the headlight mode will be changed to the high beam.

At this time, the high beam assist function will turn off, the high beam assist indicator light will turn off and the high beam indicator light will turn on.

## NOTE

- After manually changing the headlight mode to the high beam, if you turn on the high beam assist function, return the light control switch to the “AUTO” position.
- When manually changing the headlight mode to the high beam, if you turn the light control switch to the “” position, the instrument panel illumination, parking lights, front side marker lights, rear side marker lights, tail lights and license plate lights will be on.


## ▼ Tips for the high beam assist system

- The high beam assist function recognizes the conditions surrounding the vehicle based on the brightness of illumination ahead of your vehicle, etc. Therefore, the headlight mode may switch in some situations that do not match to the driver’s sense.
- A bicycle or cargo cycle may not be detected.
- Under the following situations, the brightness of ambient illumination may not be detected correctly and the high beam assist function may not work properly. As a result, the glare of the high beam may disturb the oncoming vehicle or vehicle ahead. Also, the low beam mode may continue although there are no oncoming vehicles and vehicles ahead. In the such cases, change the headlight mode manually.
  - In bad weather (fog, snow, sand storm, heavy rain, etc.).
  - When the windshield glass is dirty or fogged.
  - When the windshield is cracked or damaged.
  - When the stereo camera is deformed or the stereo camera lenses are dirty.

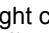
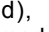
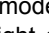
- If there are lights similar to the headlights or the tail lights in the surrounding area.
- When an oncoming vehicle or vehicle ahead is driven without its headlights and tail lights on.
- If the headlights of an oncoming vehicle or the tail lights of a vehicle ahead are dirty or discolored, or if the light beams are not aimed correctly.
- When a rapid change of brightness continues while driving.
- When driving on a road with many ups and downs or uneven surfaces.
- When driving on a road with many curves.
- When there are some objects that reflect light strongly, such as a road sign or a mirror in vehicle ahead.
- When the rear part of the vehicle ahead, such as a container, reflects light strongly.
- When the headlights of your vehicle are damaged or dirty.
- When your vehicle is tilted, such as in case the vehicle has a flat tire or is being towed.
- Immediately after the engine has started.
- In the following conditions, the headlight mode will not be automatically changed from the high beam to the low beam.
  - When your vehicle passes an oncoming vehicle suddenly in a blind curve.
  - When another vehicle passes in front of your vehicle.
  - When an oncoming vehicle or vehicle ahead comes in and out of view because of continuous curves, median strips, roadside trees, etc.
  - If the stereo camera detects the light of the front fog lights of an oncoming vehicle, the headlight mode may change from the high beam to the low beam automatically.
  - The headlight mode may change from the high beam to the low beam, or the low beam mode may continue, when affected by a street light, traffic signal, illumination of an advertisement board, or a reflective object such as a road sign and signboard.
  - The timing of the change of headlight mode may differ due to the following factors.
    - Color or brightness of the headlights of an oncoming vehicle or the tail lights of a vehicle ahead.
    - The headlights of the oncoming vehicle or the tail lights of the vehicle ahead are covered with mud, snow, etc.
    - Movement and direction of an oncoming vehicle or a vehicle ahead.
- When the headlights of an oncoming vehicle or the tail lights of a vehicle ahead illuminate on only one side.
- When the oncoming vehicle or vehicle ahead is a motorcycle.
- Conditions of a road (slope, curve, road surface, etc.).
- Number of passengers and weight of loaded cargo.
- Limitation of the detection ability of the stereo camera.
- If the EyeSight traffic lane customization is not set to the actual flow of traffic.

## ■ Daytime running light system

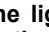
### WARNING

When the daytime running lights are illuminated, the tail lights do not illuminate. When it becomes dark outside, turn the light switch to the  position to illuminate the headlights and tail lights. This will improve visibility and allow other drivers to see your vehicle more easily.

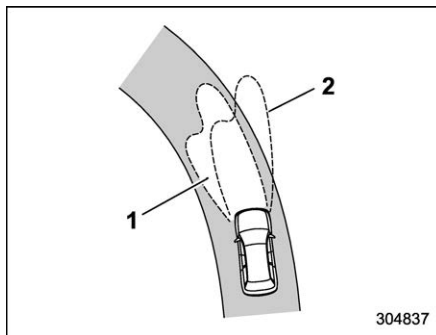
The daytime running lights will automatically illuminate when the following conditions are fulfilled.

- The engine is running.
- The parking brake is fully released.
- The light control switch is in "AUTO" (if equipped),  or  (except for Canada models).
- The light control switch is in "AUTO",  or "OFF" (for Canada models).
- The select lever is in a position other than the "P" position.

### NOTE

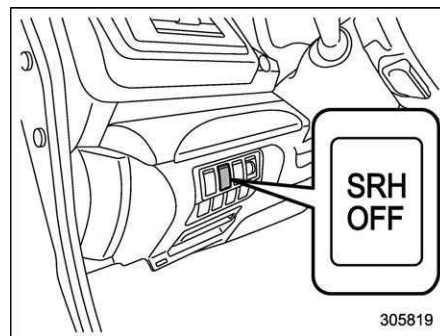
When the light switch is in the  position, the instrument panel illumination, front side marker lights, tail lights and license plate lights are also illuminated.

## 3-12. Steering Responsive Headlight (SRH)

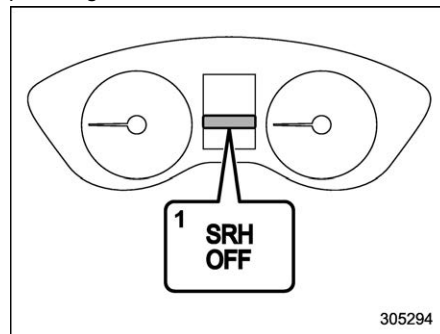


- 1) The target area of illumination when SRH is activated.
- 2) The target area of illumination when SRH is not activated.

SRH is a function that automatically moves the headlight beam to the left or right in accordance with the steering angle and vehicle speed. This function helps to improve the visibility at night by illuminating the road ahead at corners and intersections.



You can turn the SRH function on or off by pressing the SRH OFF switch.



- 1) SRH OFF indicator light

The SRH OFF indicator light on the combination meter turns off when SRH is turned on.

The SRH OFF indicator light on the combination meter illuminates when SRH is turned off.

If SRH is malfunctioning, the SRH OFF indicator light on the combination meter flashes when the ignition switch is in the "ON" position. It indicates that SRH has been deactivated. Contact a SUBARU dealer for an inspection.

### NOTE

- If you turn the ignition switch to the "OFF" position with SRH turned off and then start the engine again, SRH will automatically turn on.
- When you turn the ignition switch to the "ON" position, the SRH OFF indicator light will illuminate and turn off after several seconds.
- SRH only activates when the vehicle is traveling forward at the speed of approximately 5 mph (8 km/h) or more.

### 3-13. Headlight beam leveler

The LED headlights produce more light than conventional halogen headlights.

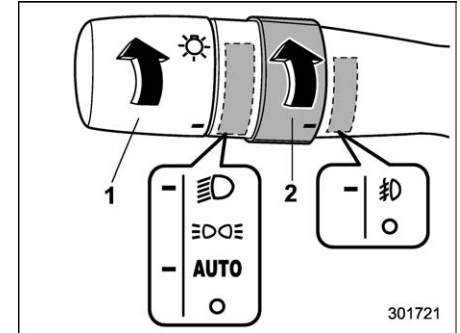
When the vehicle is carrying a heavy load and the headlight beams are angled upwards, the driver of an oncoming vehicle may experience glare.

To prevent this, the automatic headlight beam leveler adjusts the headlights to the optimum height automatically depending on the load the vehicle is carrying.

#### CAUTION

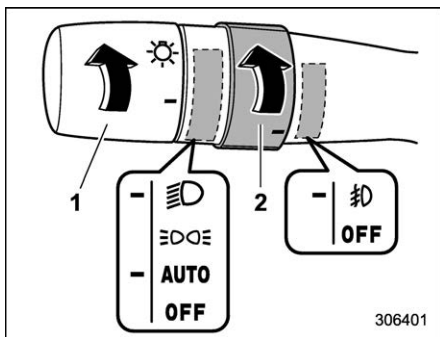
In certain circumstances, the headlights may become misaligned, and the headlight beam leveler will not reset them to the proper angle. This may occur after transporting your vehicle on a flat-bed truck, or if the vehicle is parked and restarted on different angles. In such cases, have the headlight alignment checked by a SUBARU dealer.

### 3-14. Fog light switch (if equipped)




Except for Canada models


- 1) Headlight switch
- 2) Fog light switch




**For Canada models**

- 1) Headlight switch
- 2) Fog light switch

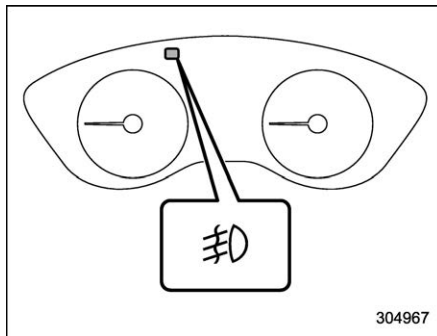
The front fog lights will turn on when the fog light switch is placed in the “” position while the headlights are in the following condition.

- The headlight switch is in the “” position with the low beam mode selected.
- For models with the auto on/off headlights, while the headlight switch is in the “AUTO” position and the low beam headlights turn on automatically.

To turn off the front fog lights, perform the following.

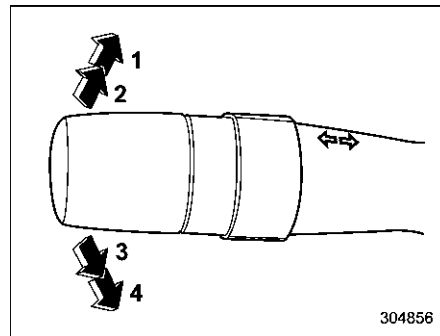
- Turn the switch to “” (except for Canada models).

- Turn the switch to “OFF” (for Canada models).



The indicator light on the combination meter will illuminate when the front fog lights are illuminated.

### 3-15. Turn signal lever



- 1) Right turn
- 2) Lane change right signal
- 3) Lane change left signal
- 4) Left turn

If the lever does not return after cornering, return the lever to the neutral position by hand.

To signal a lane change, push the turn signal lever up or down slightly and hold it during the lane change. The lever will return automatically to the neutral position when you release it.



## ■ One-touch lane changer

To flash the turn signal and turn signal indicator light three times, push the turn signal lever up or down slightly and immediately release it.

### NOTE

The operational/non-operational setting of the one-touch lane changer can be changed by a SUBARU dealer. Contact the nearest SUBARU dealer for details. For models with the combination meter display (color LCD), the setting can also be changed by operating the combination meter display (color LCD). For details, refer to “Vehicle Setting” P201.

## 3-16. Wiper and washer

### WARNING

In freezing weather, do not use the windshield washer until the windshield is sufficiently warmed by the defroster.

Otherwise the washer fluid can freeze on the windshield, blocking your view.

### CAUTION

- Do not operate the washer continuously for more than 10 seconds, or when the washer fluid tank is empty. This may cause overheating of the washer motor. Check the washer fluid level frequently, such as at fuel stops.
- Do not operate the wipers when the windshield or rear window is dry. This may scratch the glass, damage the blade rubbers and might cause the wiper motor to fail. Before operating the wiper on a dry windshield or rear window, always use the windshield washer.

- In freezing weather, be sure that the blade rubbers are not frozen to the windshield or rear window before switching on the wipers. Attempting to operate the wiper with the blades frozen to the window glass could cause not only the blade rubbers to be damaged but also might cause the wiper motor to fail. If the blade rubbers are frozen to the window glass, be sure to operate the defroster, windshield wiper deicer (if equipped) or rear window defogger before turning on the wiper.
- If the wipers stop during operation because of ice or some other obstruction on the window, this might cause the wiper motor to fail even if the wiper switch is turned off. If this occurs, promptly stop the vehicle in a safe place, turn the ignition switch to the “LOCK”/“OFF” position and clean the window glass to allow proper wiper operation.
- Use clean water if windshield washer fluid is unavailable. In areas where water freezes in winter, use SUBARU Windshield Washer Fluid or the equivalent.

Refer to “Windshield washer fluid” ☞P492.

- Do not clean the blade rubbers with gasoline or a solvent, such as paint thinner or benzine. This will cause deterioration of the blade rubbers.

## NOTE

- The windshield wiper motor is protected against overloads by a circuit breaker. If the motor operates continuously under an unusually heavy load, the circuit breaker may trip to stop the motor temporarily. If this happens, park your vehicle in a safe place, turn off the wiper switch, and wait for approximately 10 minutes. The circuit breaker will reset itself, and the wipers will again operate normally.
- Clean your blade rubbers and window glass periodically with a washer solution to prevent streaking, and to remove accumulations of road salt or road film. Operate the windshield washer for at least 1 second so that washer solution will be sprinkled all over the windshield or rear window.
- Grease, wax, insects or other material on the windshield or the blade rubbers results in jerky wiper operation

and streaking on the glass. If you cannot remove those streaks after operating the washer or if the wiper operation is jerky, clean the outer surface of the windshield or rear window and the blade rubbers using a sponge or soft cloth with a neutral detergent or mild-abrasive cleaner. After cleaning, rinse the window glass and blade rubbers with clean water. The glass is clean if no beads form on the glass when you rinse with water.

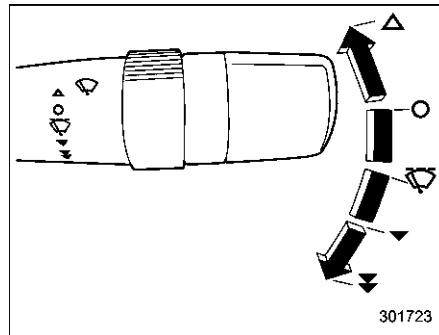
- If you cannot eliminate the streaking even after following this procedure, replace the blade rubbers with new ones. For replacement instructions, refer to “Replacement of wiper blades” ☞P493.
- If the wipers do not operate when the wiper switch is in the “Lo” position, turn the wiper switch to the “High” position.

In these cases, we recommend that you contact your SUBARU dealer.

## ■ Windshield wiper and washer switches

The wiper operates only when the ignition switch is in the “ON” or “ACC” position.

### ▼ Windshield wipers



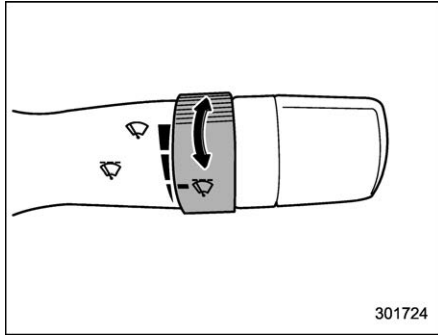
- △ / MIST: Mist (for a single wipe)
- / OFF: Off
- ◊ / INT: Intermittent
- ▼ / LO: Low speed
- ▲ / HI: High speed


To turn the wipers on, push the wiper control lever down.

To turn the wipers off, return the lever to the “○”/“OFF” position.

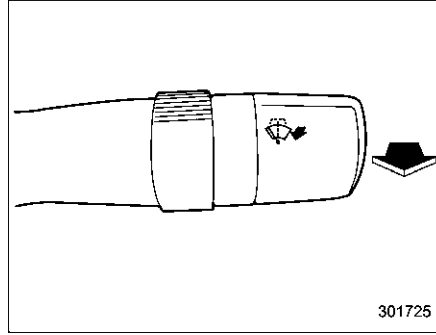
For a single wipe of the wipers, push the lever up. The wipers operate until you release the lever.

## ▼ Wiper intermittent time control

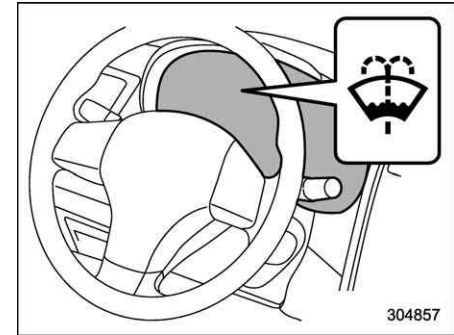


When the wiper switch is in the “” position, turn the dial to adjust the operating interval of the wiper. The operating interval can be adjusted in several steps from the shortest interval to the longest.

## ▼ Windshield washer




To wash the windshield, pull the wiper control lever toward you. The washer fluid sprays until you release the lever. The wipers operate while you pull the lever.

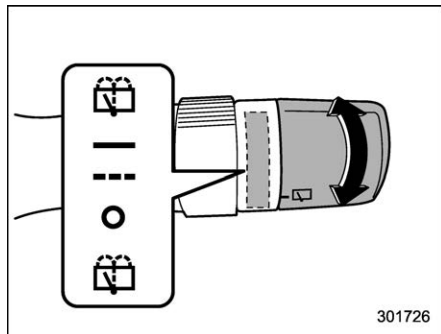







Windshield washer fluid warning light

**NOTE**

The windshield washer fluid warning light illuminates when the washer fluid level in the tank has dropped to the lower limit. If the warning light illuminates, refill the tank with fluid. For the refilling procedure, refer to “Windshield washer fluid”  P492.

## ■ Rear window wiper and washer switch



-  : Washer operation (accompanied by wiper operation)
-  : Continuous operation
-  : Intermittent operation
-  : Off
-  : Washer operation (accompanied by wiper operation)

### ▼ Rear wiper

With the switch turned to the “---” position, the rear wiper will operate intermittently at intervals corresponding to the vehicle speed. In this position, when you move the select lever to the “R” position, the rear wiper will switch to continuous operation.

When you move the select lever from the “R” (reverse) position to another position, the rear wiper will return to intermittent operation.

### Reverse gear interlocked rear wiper:

Even if the rear wiper switch is in the off “○” position, if the front windshield wiper is operating continuously, the rear wiper will operate intermittently when you move the select lever to the “R” (reverse) position.

The factory setting (default setting) of the reverse gear interlocked rear wiper is as follows.

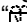
- U.S.-spec. models: Non-operational
- Other models: Operational

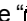
This setting can be changed by a SUBARU dealer. Consult your SUBARU dealer for details.

### CAUTION

**Do not attach anything that disturbs the rear wiper operation on the rear gate. Doing so may damage the rear wiper when it operates.**

### ▼ Washer

To wash the rear window while the rear wiper is operating, turn the knob switch upward to the “” position. The washer fluid sprays until you release the knob.

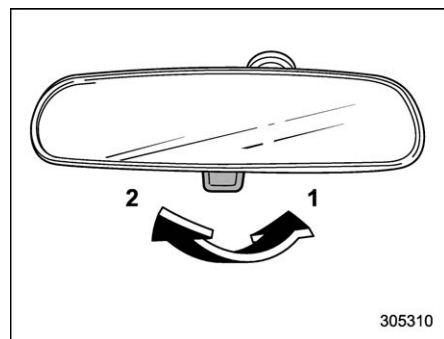
To wash the rear window when the rear wiper is not in use, turn the knob switch downward to the “” position. The washer fluid sprays and the wiper operates until you release the knob.

The rear view camera washer also operates while the rear window washer is operating.

### 3-17. Mirrors

Always check that the inside and outside mirrors are properly adjusted before you start driving.

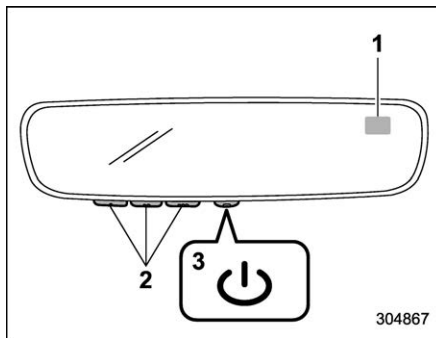
#### ■ Inside mirror



- 1) Normal position
- 2) Anti-glare position

Push the tab on the mirror for normal use. To reduce glare from the headlights of the vehicle behind you, pull the tab to the anti-glare position.

#### ■ Auto-dimming mirror/compass with HomeLink® (if equipped)



- 1) Compass
- 2) HomeLink buttons
- 3) Switch

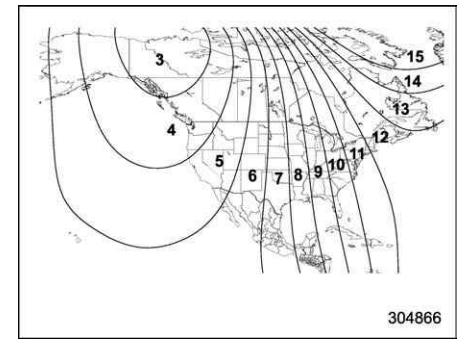
During nighttime driving, the auto-dimming feature senses distracting glare from vehicle headlights behind you and automatically dims to eliminate the glare and preserve your vision.

#### ▼ To Operate the Auto-Dimming Feature

Press the “⏻” switch to turn the auto-dimming feature on/off. The auto-dimming feature is enabled when the switch’s green LED indicator is on. The auto-dimming feature will default to on with each ignition cycle.

#### ▼ To Operate the Compass Feature

1. To turn the compass feature on/off, press and hold the “⏻” switch for more than 3 seconds or until the display turns on/off. The compass feature will default to on with each ignition cycle.
2. If the display reads “C”, slowly drive the vehicle in circles until compass is calibrated.



Compass calibration zones

Instruments and controls

3. To adjust for compass zone variance:
  - (1) Find your current location and zone number on the map.
  - (2) Press and hold the “U” switch for more than 6 seconds or until a zone number appears in the display.
  - (3) Once the zone number appears in the display, toggle the “U” switch again until your current location zone number appears. After you stop pressing the switch, your new zone number will be saved. Within a few seconds, the display will show a compass direction.
4. If the vehicle’s magnetics have changed or if the compass appears inaccurate, recalibrate the compass. Press and hold the “U” switch for more than 9 seconds or until a “C” appears in the display. Once a “C” appears in the display, slowly drive the vehicle in circles until compass is calibrated.

### ▼ HomeLink® Wireless Control System

The HomeLink® Wireless Control System provides a convenient way to replace up to three hand-held radio-frequency remotes used to activate devices such as gate operators, garage door openers, entry door locks, security systems, and even home lighting. The below steps are generic programming instructions; for Genie and Somer garage door openers, please go directly to the HomeLink website. Additional information and programming videos can be found at [www.HomeLink.com](http://www.HomeLink.com) and [www.youtube.com/HomeLinkGentex](http://www.youtube.com/HomeLinkGentex).



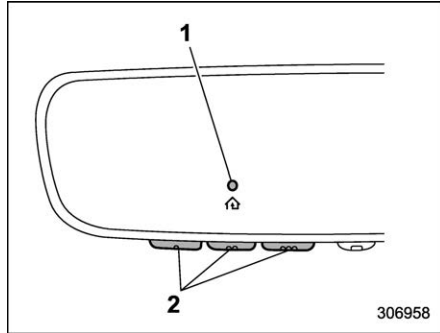
#### CAUTION

- **Before programming HomeLink to a garage door opener or gate operator, make sure that people and objects are out of the way of the device to prevent potential harm or damage.**
- **When programming a garage door opener, it is advised to park outside of the garage.**
- **Do not use HomeLink with any garage door opener that lacks safety stop and reverse features, as required by U.S. federal safety**

**standards (this includes any garage door opener model manufactured before April 1, 1982). A garage door that cannot detect an object signaling the door to stop and reverse does not meet current U.S. federal safety standards.**

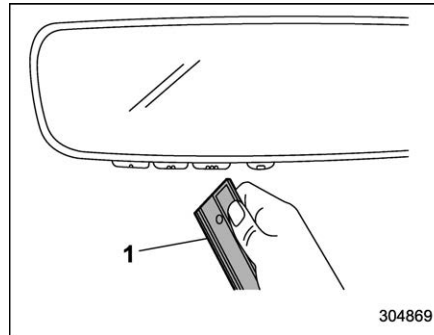
- **It is also recommended that a new battery be placed in the hand-held remote (garage door opener remote) of the device for quicker and more accurate training.**
- **Some vehicles may require the ignition switch to be turned to the “ON” or “ACC” position for programming and/or operation of HomeLink.**
- **Keep the hand-held remote (garage door opener remote) of the device you are programming for use in other vehicles as well as for future HomeLink programming. It is also suggested that upon the sale of the vehicle, the programmed HomeLink buttons be erased for security purposes. Refer to “Erasing HomeLink Buttons” P253.**

### ▽ Programming a New HomeLink Button



- 1) Indicator Light
- 2) HomeLink buttons

1. Press and release the HomeLink button that you would like to program. The HomeLink indicator light will flash orange slowly (if not, refer to “Erasing HomeLink Buttons” P253).

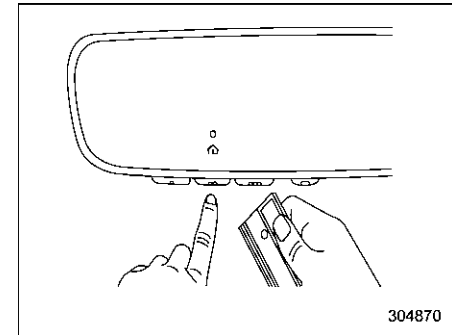


- 1) Garage door opener remote

2. Position the hand-held remote (garage door opener remote) 1 to 3 inches (2 to 8 cm) away from the HomeLink button that you would like to program.

### NOTE

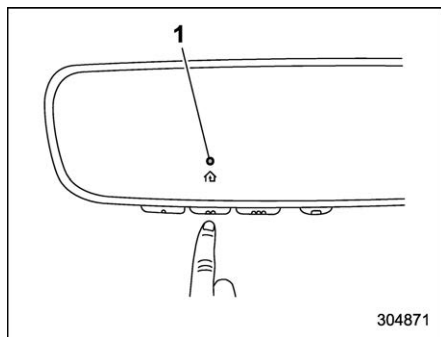
Some hand-held remotes (garage door opener remotes) may actually train better at a distance of 6 to 12 inches (15 to 30 cm). Keep this in mind if you have difficulty with the programming process.



3. While the HomeLink indicator light is flashing orange, press and hold the hand-held remote button. Continue pressing the hand-held remote button until the HomeLink indicator light changes from orange to green. You may now release the hand-held remote button.

### NOTE

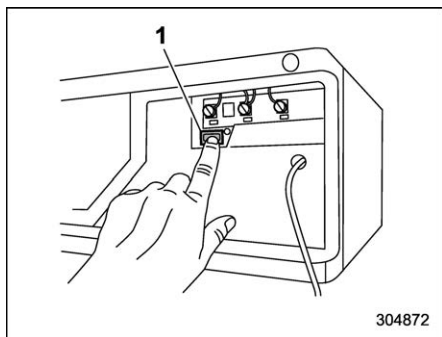
Some devices may require you to replace this “Programming a New HomeLink Button” step 3 with procedures noted in the “Gate Operator/Canadian Programming” section. Refer to “Gate Operator/Canadian Programming” P253.



1) Indicator light

4. Press the HomeLink button that you would like to program and observe the indicator light.

- If the indicator light remains constant green, your device should operate when the HomeLink button is pressed. At this point, if your device operates, programming is complete.
- If the indicator light rapidly flashes green, firmly press, hold for two seconds and release the HomeLink button up to three times to complete the programming process. At this point if your device operates, programming is complete. If the device does not operate, continue with the next step of the programming instructions.



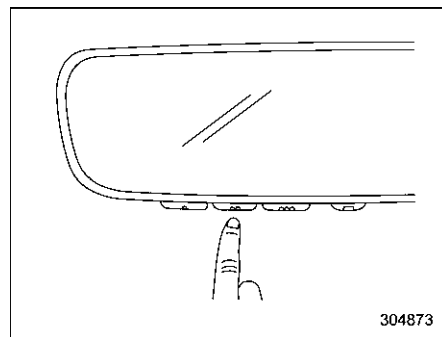
1) "Learn" button

5. At the garage door opener motor, (security gate motor, etc.) locate the "Learn", "Smart", or "Program" button. This can usually be found where the hanging antenna wire is attached to the motor-head unit (see the device's manual to identify this button). The name and color of the button may vary by manufacturer.

### NOTE

**A ladder and/or second person may simplify the following steps.**

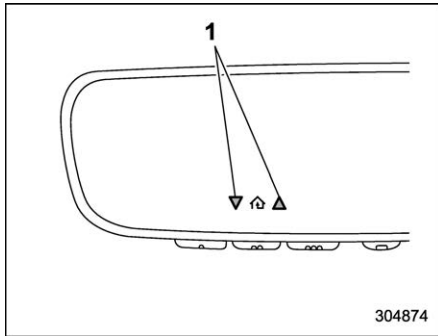
6. Firmly press and release the "Learn", "Smart", or "Program" button. You now have 30 seconds in which to complete step 7.



304873

7. Return to the vehicle and firmly press, hold for two seconds and release the HomeLink button up to three times. At this point programming is complete and your device should operate when the HomeLink button is pressed and released.





1) Status indicators

8. If status indicator arrows appear next to the indicator light, please refer to “Garage Door Two-Way Communication” P254.

In the event that there are still programming difficulties or questions, additional HomeLink information and programming videos can be found at [www.HomeLink.com](http://www.HomeLink.com) and [www.youtube.com/HomeLinkGentex](http://www.youtube.com/HomeLinkGentex). For Genie and Sommer garage door openers please go directly to the HomeLink website.

### ▽ Gate Operator/Canadian Programming

Canadian radio-frequency laws require transmitter remote signals to “time-out” (or quit) after several seconds of transmission, which may not be long enough for HomeLink to pick up the signal during programming. Similar to this Canadian law, some U.S. gate operators are designed to “time-out” in the same manner. The indicator LED on the hand-held remote will go off when the device times out, indicating that it has finished transmitting.

If you live in Canada or you are having difficulties programming a gate operator or garage door opener by using the programming procedures, replace “Programming a New HomeLink Button” step 3 with the following:

While the HomeLink indicator light is flashing orange, press and release (“cycle”) your device’s hand-held remote every two seconds until the HomeLink indicator light changes from orange to green. You may now release the hand-held remote button.

### NOTE

**If programming a garage door opener or gate operator, it is advised to unplug the device during the “cycling” process to prevent possible overheating.**

Proceed with “Programming a New HomeLink Button” step 4 to complete.

### ▽ Using HomeLink

To operate, simply press and release the programmed HomeLink button. Activation will now occur for the trained device (i.e. garage door opener, gate operator, security system, entry door lock, home/office lighting, etc.). For convenience, the hand-held remote of the device may also be used at any time.

### ▽ Erasing HomeLink Buttons

To erase programming from the three buttons (individual buttons cannot be erased but can be “reprogrammed” as outlined below), follow the step noted:

Press and hold the two outer HomeLink buttons for at least 10 seconds. The LED indicator will change from continuously lit to rapidly flashing. Release both buttons. Do not hold for longer than 20 seconds. HomeLink is now ready to be programmed at any time beginning with “Programming a New HomeLink Button” - step 1.

### ▽ Reprogramming a Single HomeLink Button

To program a previously trained button, follow these steps:

1. Press and hold the desired HomeLink button. DO NOT release the button.
2. The indicator light will begin to slowly flash orange after 20 seconds. The HomeLink button can be released at this point. Proceed with "Programming a New HomeLink Button" - step 3.
3. If you do not complete the programming of a new device to the button, it will revert to the previously stored programming.

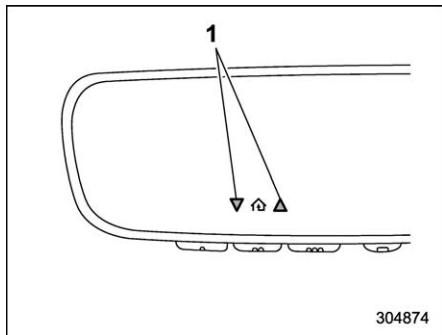
### ▽ Garage Door Two-Way Communication

HomeLink has the capability of communicating with your garage door opener. HomeLink can receive and display "closing" or "opening" status messages from compatible garage door opener systems. At any time, HomeLink can also recall and display the last recorded status communicated by the garage door opener to indicate your garage door being "closed" or "opened".

HomeLink has the capability of receiving this communication from the garage door opener at a range up to 820 feet (250 m).

Range may be reduced by obstacles such as houses or trees. You may have to slow your vehicle speed to successfully receive the garage door opener communication.

### ▽ Programming Two-Way Communication



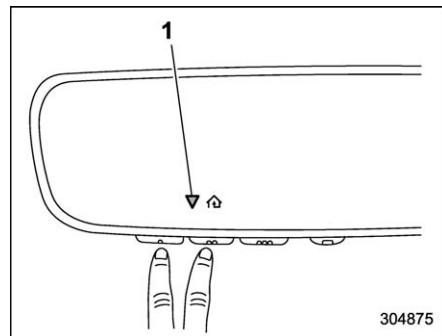
1) Status indicators

Within five seconds after programming a new HomeLink button, both of HomeLink's garage door status indicators will flash rapidly green indicating that the garage door two-way communication has been enabled. If your garage door status indicators flashed, two-way communication programming is complete.

If the garage door status indicators do not flash, additional HomeLink information and programming videos can be found

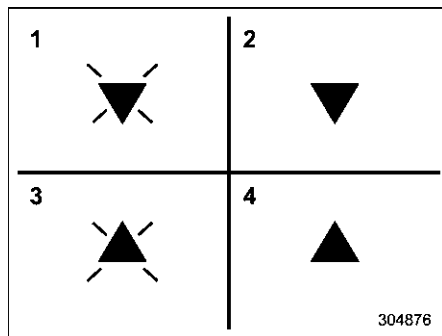
online at [www.HomeLink.com](http://www.HomeLink.com) and [www.youtube.com/HomeLinkGentex](http://www.youtube.com/HomeLinkGentex).

### ▽ Using Two-Way Communication



1) Status indicators

Recall and display (at any time) the last recorded garage door status message communicated to HomeLink by simultaneously pressing HomeLink buttons 1 and 2 for two seconds. HomeLink will display the last recorded status for three seconds.



- 1) Garage door opener CLOSING (blinking orange)
- 2) Garage door opener CLOSED (solid green)
- 3) Garage door opener OPENING (blinking orange)
- 4) Garage door opener OPENED (solid green)

If two-way communication programming is successful, HomeLink will display the status of your garage door opener with arrow indicators.

### ▽ Certification

In the event that there are still programming difficulties or questions, additional HomeLink information and programming videos can be found at [www.HomeLink.com](http://www.HomeLink.com), [www.youtube.com/HomeLinkGentex](http://www.youtube.com/HomeLinkGentex), or by calling the toll-free HomeLink-hotline at 1-800-355-3515.

#### ● U.S.-spec. models



### CAUTION

#### FCC WARNING

**Changes or modifications not expressly approved by the party responsible for compliance could void the user's authority to operate the equipment.**

This device complies with FCC rules part 15 and Innovation, Science, and Economic Development Canada RSS-210. Operation is subject to the following two conditions: (1) This device may not cause harmful interference, and (2) This device must accept any interference that may be received including interference that may cause undesired operation. **WARNING:** The transmitter has been tested and complies with FCC and ISSED rules.

Changes or modifications not expressly approved by the party responsible for compliance could void the user's authority to operate the device.

This equipment complies with FCC and ISSED radiation exposure limits set forth for an uncontrolled environment. End Users must follow the specific operating instructions for satisfying RF exposure compliance. This transmitter must be at least 20 cm from the user and must not be co-located or operating in conjunction with any other antenna or transmitter.

306210

### • Canada-spec. models

This device complies with FCC rules part 15 and Innovation, Science, and Economic Development Canada RSS-210. Operation is subject to the following two conditions: (1) This device may not cause harmful interference, and (2) This device must accept any interference that may be received including interference that may cause undesired operation. **WARNING:** The transmitter has been tested and complies with FCC and ISED rules.

Changes or modifications not expressly approved by the party responsible for compliance could void the user's authority to operate the device.

This equipment complies with FCC and ISED radiation exposure limits set forth for an uncontrolled environment. End Users must follow the specific operating instructions for satisfying RF exposure compliance. This transmitter must be at least 20 cm from the user and must not be co-located or operating in conjunction with any other antenna or transmitter.

306210

Cet appareil est conforme aux règlements de la FCC, section 15, et au CNR-210 d'Innovation, Sciences et Développement économique Canada. Le fonctionnement est assujéti aux deux conditions suivantes : (1) cet appareil ne doit pas causer d'interférences nuisibles et (2) cet appareil doit accepter toute interférence reçue, y compris celle qui pourrait entraîner un dysfonctionnement. **MISE EN GARDE :** L'émetteur a subi des tests et est conforme aux règlements de la FCC et d'ISDE. Les changements ou modifications non approuvés explicitement par la partie responsable de la conformité pourraient rendre caduque l'autorisation de l'utilisateur de se servir du dispositif.

Cet appareil est conforme aux limites d'exposition aux radiations de la FCC et d'ISDE établies pour un environnement non contrôlé. Les utilisateurs finaux doivent respecter les instructions d'utilisation spécifiques pour satisfaire aux exigences de conformité aux expositions de RF. L'émetteur doit se trouver à 20 cm au minimum de l'utilisateur et ne doit pas être situé au même endroit que tout autre émetteur ou antenne ni fonctionner avec un autre émetteur ou antenne.

306211

HomeLink® and the HomeLink® house are registered trademarks of Gentex Corporation.



### **WARNING**

- **When programming the HomeLink® Wireless Control System, you may be operating a garage door opener or other device. Make sure that people and objects are out of the way of the garage door or other device to prevent potential harm or damage.**
- **Do not use the HomeLink® Wireless Control System with a garage door opener that lacks the safety stop and reverse feature as required by applicable safety standards. A garage door opener which cannot detect an object, signaling the door to stop and reverse, does not meet these safety standards. Using a garage door opener without these features increases risk of serious injury or death. For more information, consult the HomeLink® website at [www.homelink.com](http://www.homelink.com) or call 1-800-355-3515.**

- Mexico-spec. models

La operación de este equipo está sujeta a las siguientes dos condiciones:  
 (1) es posible que este equipo o dispositivo no cause interferencia perjudicial y  
 (2) este equipo o dispositivo debe aceptar cualquier interferencia, incluyendo la que pueda causar su operación no deseada.

**NOM**

306517

## ■ Outside mirrors

### ▼ Convex mirror (passenger side)

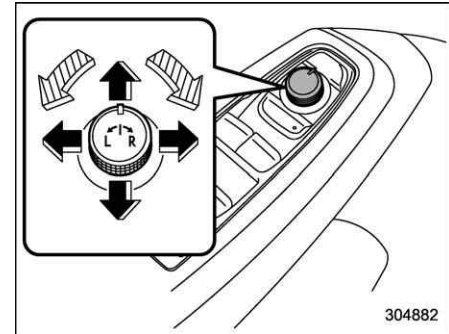
**⚠ WARNING**

Objects look smaller in a convex mirror and farther away than when viewed in a flat mirror. Do not use the convex mirror to judge the distance of vehicles behind you when changing lanes. Use the inside mirror (or glance backwards) to determine the actual size and distance of objects that you view in convex mirror.

**⚠ CAUTION**

Make sure to adjust the mirrors before driving.

### ▼ Remote control mirror switch



↕: Select side to adjust

➡: Direction control

The remote control mirrors operate only when the ignition switch is in the "ON" or "ACC" position.

1. Turn the control switch to the side that you want to adjust. "L" is for the left mirror, "R" is for the right mirror.
2. Move the control switch in the direction you want to move the mirror.
3. Return the control switch to the neutral position to prevent unintentional operation.

The mirrors can also be adjusted manually.

**NOTE**

For models with memory function:

- The outside mirror can be adjusted for approximately 45 seconds after the following conditions are met.
  - The ignition switch is turned to the “OFF” position.
  - The door is unlocked using the access key fob.
- The outside mirror angle can be registered with button “1”, “2” or each of the key fobs.

For details, refer to “Memory function (driver’s seat – if equipped)” P37.

- The outside mirror angle can also be retrieved with the Driver Monitoring System user information. To do so, perform user registration in the Driver Monitoring System settings. Refer to “Driver Monitoring System settings” P221.

▽ **Reverse tilt-down feature (if equipped)**

When backing up the vehicle, the front passenger’s side outside mirrors will turn downward automatically to provide better rear visibility.

1. Push the ignition switch to the ON position.
2. Move the select lever to the R (Re-

verse) position.

3. The outside mirror angle moves downward.

The outside mirror angle will return to its original position when the following condition are met.

- After approximately 9 seconds from the select lever is moved to any position other than R (Reverse).
- The ignition switch is turned to the “OFF” position.
- The vehicle is running.

**NOTE**

- The reverse tilt-down mirror angle can be registered with button “1”, “2” or each of the key fobs. For details, refer to “Memory function (driver’s seat – if equipped)” P37.
- The reverse tilt-down mirror angle can also be retrieved with the Driver Monitoring System user information. To do so, perform user registration in the Driver Monitoring System settings. Refer to “Driver Monitoring System settings” P221.
- The operational/non-operational setting can be changed by operating the combination meter display (color LCD). For details, refer to “Vehicle Setting” P201.

- The factory setting (default setting) for this function is set as the front passenger’s side mirror. The setting of the right and left side mirror/front passenger’s side mirror operation can be changed by a SUBARU dealer. Contact your SUBARU dealer for details.

**CAUTION**

**Depress the brake pedal during the reverse tilt-down mirror angle adjustment.**

To adjust the reverse tilt-down mirror angle, adjust the outside mirror using the remote control mirror switch while the reverse tilt-down operates. For details about how to adjust the outside mirror angle, refer to “Remote control mirror switch” P257.

**Memory function:**

The angle of the reverse tilt-down mirror can be registered. Register the position with button “1”, “2” or each of the access key fobs and retrieve the position.

For details about registration or retrieval of a position, refer to “Memory function (driver’s seat – if equipped)” P37.

**NOTE**

If the seat is moved forward or backward 1.18 in (30 mm) or more, the reverse tilt-down will move to the factory default position or the last position hold.

**Hold last position function:**

The angle of the reverse tilt-down mirror can be set to the latest adjusted angle.

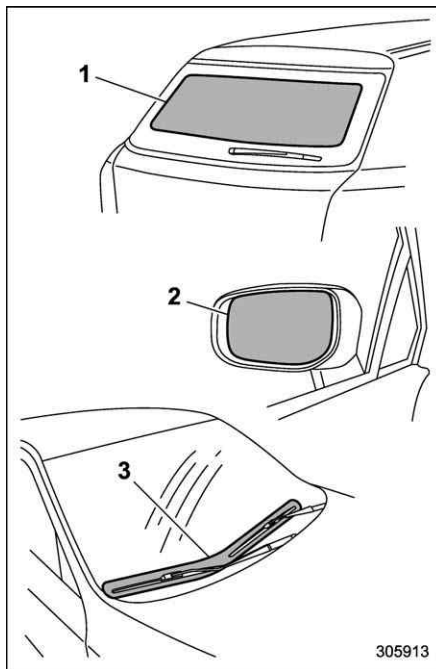
The hold last position function operates when the following condition are met.

- The memory function is not used.
- The seat is moved forward or backward 1.18 in (30 mm) or more.

**NOTE**

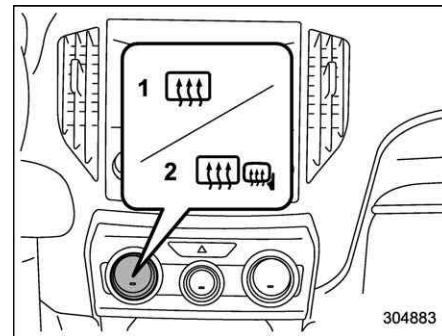
• The factory setting (default setting) for this function is set as “non-operational”. This setting can be changed to “operational” at SUBARU dealers. For more details, contact a SUBARU dealer.

• If the hold last position function setting is “non-operation”, the reverse tilt-down will move to the factory default position.

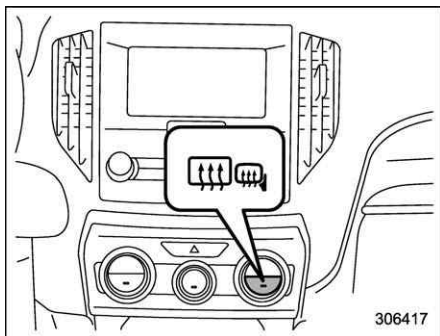
**3-18. Defogger and deicer (if equipped)**

- 1) Rear window defogger
- 2) Outside mirror defogger (if equipped)
- 3) Windshield wiper deicer (if equipped)

The vehicle is equipped with the defogger and the deicer (if equipped) system. The defogger and deicer system is activated only when the ignition switch is in the “ON” position.

**Climate control panel type A**

- 1) Models without outside mirror defogger
- 2) Models with outside mirror defogger



Climate control panel type B and C

To activate simultaneously the rear window defogger, outside mirror defogger (if equipped) and windshield wiper deicer (if equipped), press the control switch that is located on the climate control panel. The indicator light on the control switch illuminates while the defogger and deicer system is activated.

To turn them off, press the control switch again. They also turn off when the ignition switch is turned to the "ACC" or "LOCK"/"OFF" position.

The defogger and deicer system will automatically shut off after approximately 15 minutes. If the rear window and the outside mirrors have been cleared and the windshield blade rubbers have been

deiced completely before that time, press the control switch to turn them off.

It is possible for the defogger and deicer system to be set to continuous operation mode by a SUBARU dealer. Consult your SUBARU dealer for details. Also, for models with a combination meter display (color LCD), it is possible to set the defogger and deicer system for the continuous operation mode. For details, refer to "Vehicle Setting" P201.



### CAUTION

- To prevent the battery from being discharged, do not operate the defogger and deicer system continuously for any longer than necessary.
- Do not use sharp instruments or window cleaner containing abrasives to clean the inner surface of the rear window. They may damage the conductors printed on the window.

### NOTE

- Turn on the defogger and deicer system if the wipers are frozen to the windshield.

- If the windshield is covered with snow, remove the snow so that the windshield wiper deicer works effectively.

- While the defogger and deicer system is in the continuous operation mode:

- If the vehicle speed remains at 9 mph (15 km/h) or lower for 15 minutes, the windshield wiper deicer system automatically stops operating. However, the rear window defogger system and outside mirror defogger system maintain continuous operation in this condition.

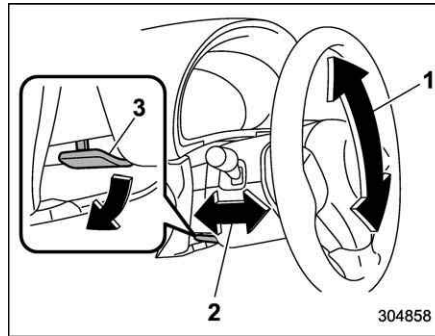
- If the vehicle battery voltage drops below the permissible level, continuous operation of the defogger system and deicer system is canceled and the system stops operating.



### 3-19. Tilt/telescopic steering wheel

#### WARNING

- Do not adjust the steering wheel tilt/telescopic position while driving. This may cause loss of vehicle control and result in personal injury.
- If the lever cannot be raised to the fixed position, adjust the steering wheel again. It is dangerous to drive without locking the steering wheel. This may cause loss of vehicle control and result in personal injury.

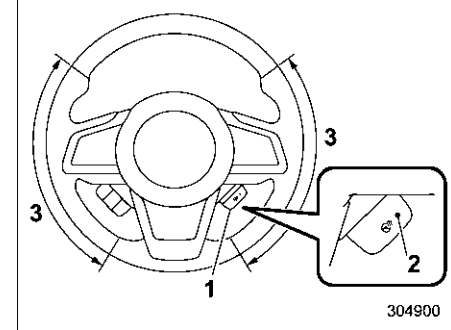


- 1) Tilt adjustment
- 2) Telescopic adjustment
- 3) Tilt/telescopic lock lever

1. Adjust the seat position. Refer to "Seats" P32.
2. Pull the tilt/telescopic lock lever down.
3. Move the steering wheel to the desired level.
4. Pull the lever up to lock the steering wheel in place.
5. Make sure that the steering wheel is securely locked by moving it up and down, and forward and backward.

### ■ Heated Steering Wheel system (if equipped)

The Heated Steering Wheel system warms the steering wheel at a constant temperature.



- 1) Heated Steering Wheel switch
- 2) Indicator light
- 3) Heated area

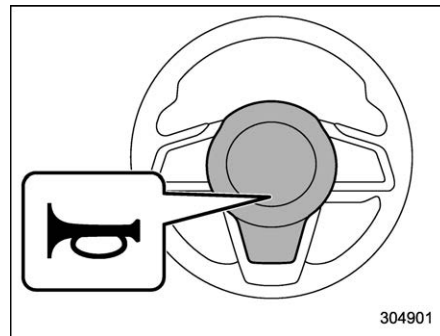
To turn on the Heated Steering Wheel system, pull the Heated Steering Wheel switch when the ignition switch is in the "ON" or "ACC" position. Then the steering wheel will be warmed and the indicator light on the switch will illuminate. To turn off the Heated Steering Wheel system, pull the switch again. Then the indicator light will turn off.

**CAUTION**

- Use the Heated Steering Wheel system with the engine running. Otherwise, the battery voltage may drop below the permissible level and it may not be possible to start the engine.
- There is a possibility that people with delicate skin may suffer slight burns even at low temperatures if they use the Heated Steering Wheel for a long period of time. When using the Heated Steering Wheel, always be sure to warn the persons concerned.
- Do not cover the Heated Steering Wheel with an object such as a steering wheel cover. Doing so may cause the Heated Steering Wheel to overheat.
- Do not spill liquid on the steering wheel. If liquid is spilled, wipe it off immediately and dry it before using the Heated Steering Wheel system.

**NOTE**

- If the surface temperature of the steering wheel is approximately above 104°F (40°C) when the switch is turned on, the system will not heat the steering wheel. Then, the indicator light will continue to illuminate.
- The Heated Steering Wheel system will automatically turn off approximately 30 minutes after the system has been turned on.
- The temperature of the Heated Steering Wheel system cannot be adjusted.

**3-20. Horn**

To sound the horn, push the horn pad.

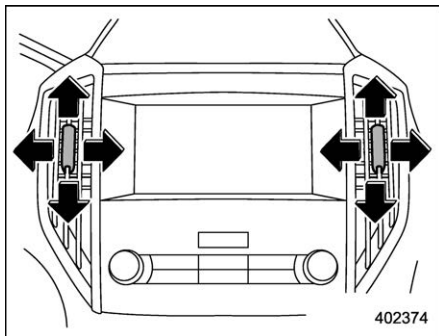




4-1. Ventilator control .....	266	Air conditioner control .....	275
Center ventilators .....	266	Air inlet selection .....	275
Side ventilators .....	266	To turn off the climate control system .....	276
Rear ventilators (if equipped) .....	266	4-5. Defrosting .....	276
4-2. Climate control panel .....	267	4-6. Operating tips for heater and air conditioner.....	277
Type A.....	268	Cleaning ventilation grille.....	277
Type B.....	269	Efficient cooling after parking in direct sunlight .....	277
Type C.....	270	Lubrication oil circulation in the refrigerant circuit .....	277
4-3. Automatic climate control operation.....	271	Checking air conditioning system before summer season .....	277
Type A.....	271	Cooling and dehumidifying in high humidity and low temperature weather conditions .....	278
Type B and C.....	271	Air conditioner compressor shut-off when engine is heavily loaded.....	278
Sensors.....	272	Refrigerant for your climate control system.....	278
Automatic climate control customization (for type B and C).....	272	4-7. Air filtration system.....	278
4-4. Manual climate control operation for front climate control panel.....	273	Replacing the cabin air filter.....	278
Airflow mode selection .....	273		
MAX A/C mode (for type B and C).....	275		
Temperature control .....	275		
Fan speed control.....	275		

## 4-1. Ventilator control

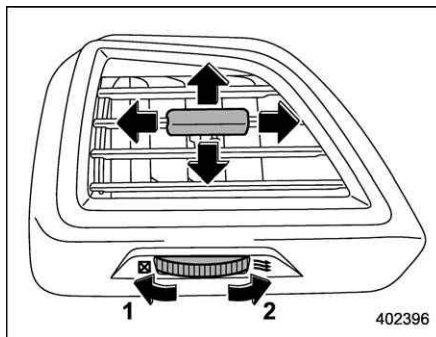
### ■ Center ventilators



#### Center ventilators

To adjust the airflow direction, move the tab. To close the ventilator, move the tab all the way down.

### ■ Side ventilators

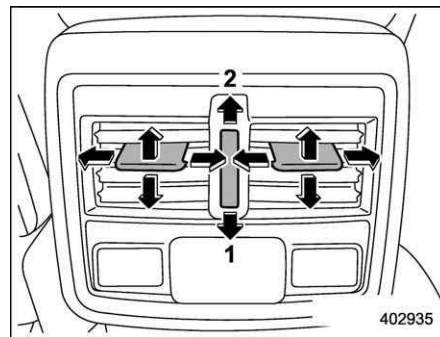


#### Side ventilators

- 1) Close
- 2) Open

To adjust the flow direction, move the tab.

### ■ Rear ventilators (if equipped)



#### Rear ventilators

- 1) Close
- 2) Open

To adjust the flow direction, move the tab.

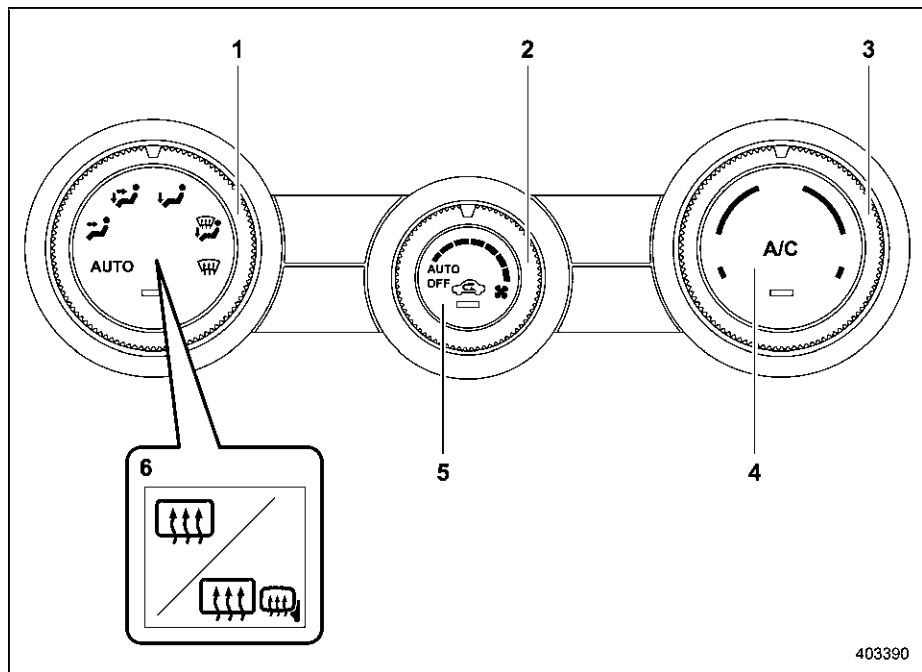
## 4-2. Climate control panel



### WARNING

- The cooling function operates only when the engine is running.
- Do not leave children or adults who would normally require the support of others alone in your vehicle. Pets should not be left alone either. On hot, sunny days, temperatures in a closed vehicle could quickly become high enough to cause severe or possibly fatal injuries to people or animals.

■ **Type A**



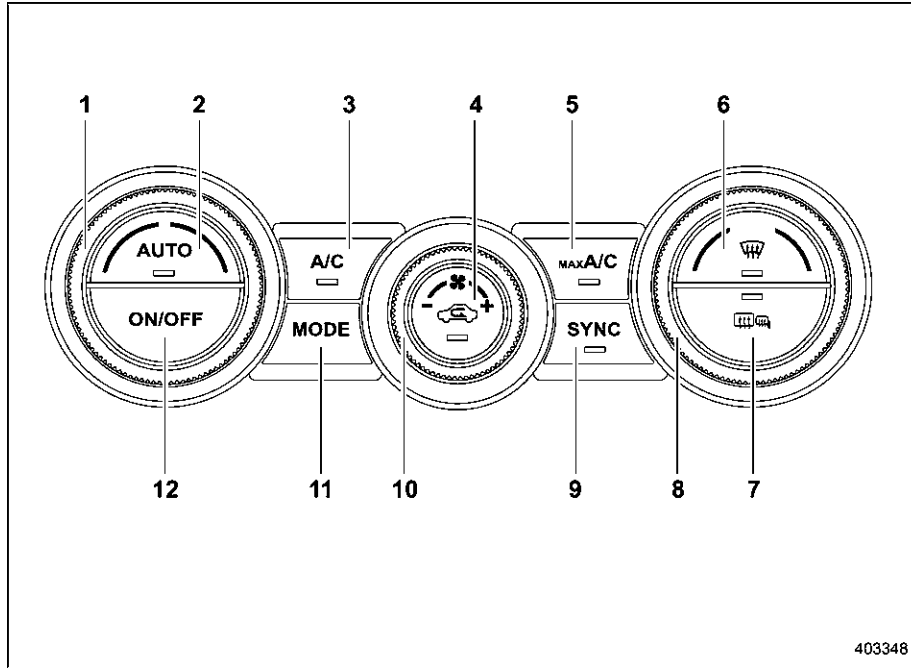
- 1) Airflow mode selection dial (Refer to “Airflow mode selection” P273.)
- 2) Fan speed control dial (Refer to “Fan speed control” P275.)
- 3) Temperature control dial (Refer to “Temperature control” P275.)
- 4) Air conditioner button (Refer to “Air conditioner control” P275.)
- 5) Air inlet selection button (Refer to “Air inlet selection” P275.)
- 6) Rear window defogger button and outside mirror defogger button (if equipped) (Refer to “Defogger and deicer” P259.)

**NOTE**

**The controllable temperature range may vary depending on the regional specifications of the vehicle.**



## ■ Type B



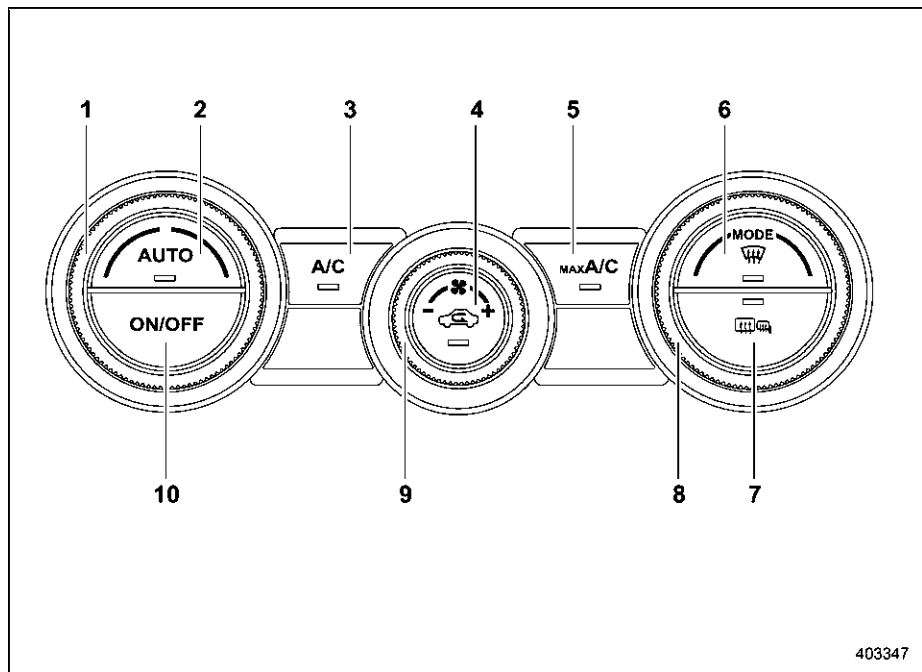
- 6) Defroster button (Refer to “Defrosting” ☞P276.)
- 7) Rear window defogger button and outside mirror defogger button (Refer to “Defogger and deicer” ☞P259.)
- 8) Passenger’s side temperature control dial (Refer to “Temperature control” ☞P275.)
- 9) SYNC button (Refer to “SYNC mode (type B)” ☞P275.)
- 10) Fan speed control dial (Refer to “Fan speed control” ☞P275.)
- 11) Airflow mode selection button (Refer to “Airflow mode selection” ☞P273.)
- 12) ON/OFF button (Refer to “Automatic climate control operation” ☞P271.)

### NOTE

The climate control screen is displayed on the multi-function display (color LCD). Refer to “Climate control screen” ☞P211.

- 1) Driver’s side temperature control dial (Refer to “Automatic climate control operation” ☞P271 and/or “Temperature control” ☞P275.)
- 2) AUTO button (Refer to “Automatic climate control operation” ☞P271.)
- 3) Air conditioner button (Refer to “Air conditioner control” ☞P275.)
- 4) Air inlet selection button (Refer to “Air inlet selection” ☞P275.)
- 5) MAX A/C button (Refer to “MAX A/C mode (for type B and C)” ☞P275.)

## ■ Type C



- 1) Temperature control dial (Refer to "Automatic climate control operation" P271 and/or "Temperature control" P275.)
- 2) AUTO button (Refer to "Automatic climate control operation" P271.)
- 3) Air conditioner button (Refer to "Air conditioner control" P275.)
- 4) Air inlet selection button (Refer to "Air inlet selection" P275.)
- 5) MAX A/C button (Refer to "MAX A/C mode (for type B and C)" P275.)
- 6) Defroster button (Refer to "Defrosting" P276.)
- 7) Rear window defogger button and outside mirror defogger button (Refer to "Defogger and deicer" P259.)
- 8) Airflow mode selection dial (Refer to "Airflow mode selection" P273.)
- 9) Fan speed control dial (Refer to "Fan speed control" P275.)
- 10) ON/OFF button (Refer to "Automatic climate control operation" P271.)

### NOTE

The climate control screen is displayed on the multi-function display (color LCD). Refer to "Climate control screen" P211.

### 4-3. Automatic climate control operation

When this mode is selected, the fan speed, airflow distribution, air-inlet control, and air conditioner compressor operation are automatically controlled. To activate this mode, perform the following.

#### NOTE

- Operate the automatic climate control system when the engine is running.
- Even when cooling is not necessary, the air conditioner compressor will automatically turn on if the temperature is set much lower than the current outlet air temperature. Even in this case, the “A/C” indicator light on the control panel illuminates.
- The air conditioner may not operate in the following cases:
  - When the cabin temperature is low.
  - When the ambient temperature decreases close to 32°F (0°C).
- The controllable temperature range may vary depending on the regional specifications of the vehicle.

#### ■ Type A

1. Turn the airflow mode selection dial

and fan speed control dial to the “AUTO” position.

2. Set the preferred temperature using the temperature control dial.

#### NOTE

**Each function can be individually set to the “AUTO” mode independently of the other functions. Any function set to the “AUTO” mode is controlled automatically. Any function not set to the “AUTO” mode can be manually adjusted as desired.**

To turn off the climate control system, turn the fan speed control dial to the “OFF” position. The status of the air inlet selection will be changed as follows depending on the setting when the climate control system is turned off.

- When the air inlet selection is in “AUTO” mode, the mode will be set to outside air inlet.
- When the air inlet selection is in “MANUAL” mode, the mode from before the climate control system was turned off will be maintained.

#### ■ Type B and C

1. Press the AUTO button. The indicator light “FULL AUTO” on the multi-function display (color LCD) illuminates.

2. Set the preferred temperature using the temperature control dial.

#### NOTE

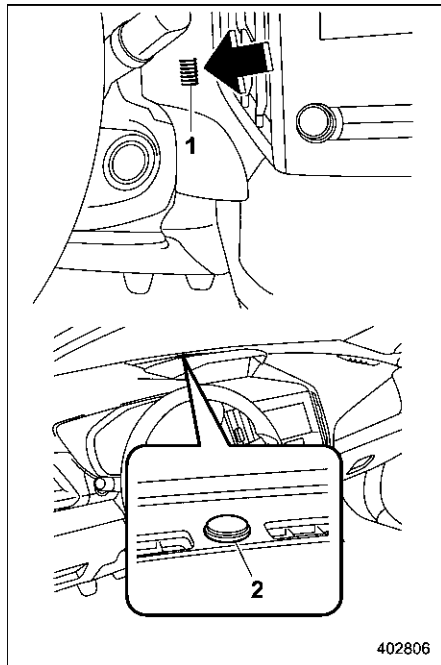
**If you operate any of the buttons on the control panel other than the ON/OFF button, the rear window defogger button, the SYNC button (if equipped) and the temperature control dial(s) during FULL AUTO mode operation, the “FULL” indicator light on the control panel will turn off and the “AUTO” indicator light will remain illuminated. You can then manually control the system as desired using the button you operated. To change the system back to the “FULL AUTO” mode, press the “AUTO” button.**

To turn off the climate control system, press the ON/OFF button. The status of the air inlet selection will be changed as follows depending on the setting when the climate control system is turned off.

- When the air inlet selection is in “AUTO” mode, the mode will be set to outside air inlet.
- When the air inlet selection is in “MANUAL” mode, the mode from before the climate control system was turned off will be maintained.

## ■ Sensors

The sensors are located as follows.



- 1) Interior air temperature sensor
- 2) Solar sensor

The automatic climate control system employs several sensors. These sensors

are delicate. If they are not treated properly and become damaged, the system may not be able to control the interior temperature correctly. To avoid damaging the sensors, observe the following precautions.

- Do not subject the sensors to impact.
- Keep water away from the sensors.
- Do not cover the sensors.

## ■ Automatic climate control customization (for type B and C)

The automatic climate control can be customized on the multi-function display (color LCD).

Refer to “Setting screen” P218 for setting methods.

### ▼ Mode setting

The climate control can be set in the following mode.

#### ▽ Normal mode

Use this mode for normal climate control.

#### ▽ Mild mode

Use this mode for the mild airflow mode.

#### ▽ Power mode

Use this mode when climate control needs to be operate to increase the comfort

quickly. This will reduce the operation range of the Auto Start Stop function.

#### ▽ ECO mode

Use this mode when fuel efficiency is prioritized over comfort. This increases the range of the Auto Start Stop operation.

### ▼ Occupant detection

This mode switches the climate control operation according to the number of passengers.

#### ▽ Front occupant detection

This mode detects passenger by the occupant detection system sensor when there is no front passenger in the seat. The setting temperature will be changed to the driver's setting temperature automatically.

## NOTE

**The occupant detection system sensor may not detect passengers because of their posture, physical size or weight. The front occupant detection function may not operate properly.**

#### ▽ Rear occupant detection

This function judges if there are any passenger in the rear seat by the opening and closing record of rear doors. If there are no passenger in the rear seat, the airflow of the climate control is reduced

and priority is on the front seat passenger.

## NOTE

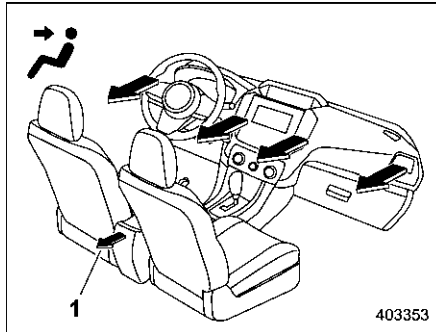
If the system cannot judge correctly if there are passengers or not in the rear seat by the opening and closing of the rear door, such as when the doors are opened to place some cargo in the vehicle, the rear occupant detection may not operate properly.

## 4-4. Manual climate control operation for front climate control panel

### ■ Airflow mode selection

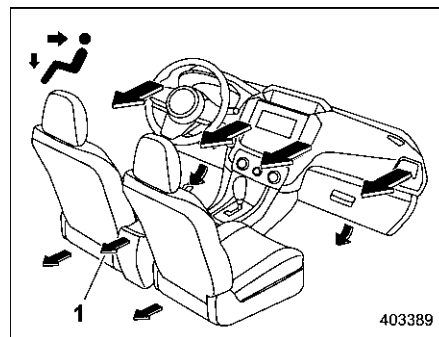
Select the airflow mode using the airflow mode selection dial (type A and C) or the airflow mode selection button (type B).

Airflow modes are as follows.



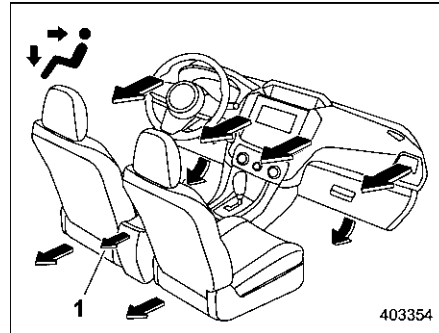
1) If equipped

**Ventilation:** Instrument panel outlets



1) If equipped

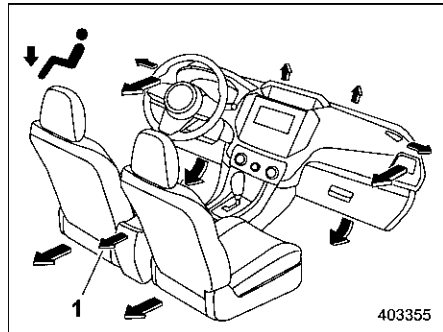
**Ventilation 2 for type B and C:** Instrument panel outlets and foot outlets



1) If equipped

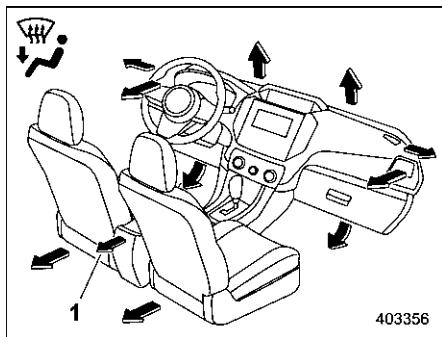
**Bi-level:** Instrument panel outlets and foot

outlets



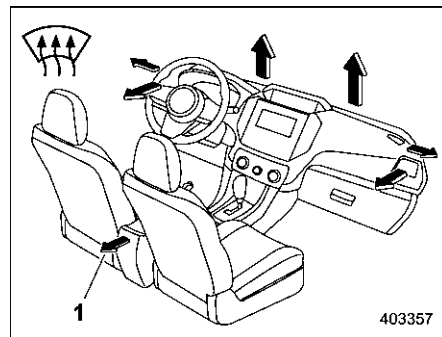
1) If equipped

**Heat:** Foot outlets, both side outlets of the instrument panel and some through windshield defroster outlets (A small amount of air flows to the windshield and both side windows to prevent fogging.)



1) If equipped

**Heat-def:** Windshield defroster outlets, foot outlets and both side outlets of the instrument panel (Refer to "Defrosting" P276.)



1) If equipped

**Defrost for type A:** Windshield defroster outlets and both side outlets of the instrument panel (Refer to "Defrosting" P276.)

## ■ MAX A/C mode (for type B and C)

For quicker cooling, press the MAX A/C button.

When the MAX A/C mode is on, the following settings will be changed automatically.

- The air conditioner will turn on.
- The temperature will be set on the lowest.
- The fan speed will be set on the maximum speed.
- The air inlet will be set to recirculation.
- The airflow mode setting will be set to ventilation mode.

To turn off MAX A/C mode and return the previous setting, press the MAX A/C button again.

## ■ Temperature control

Turn the temperature control dial to set the preferred interior temperature.

For models with the Driver Monitoring System, the temperature setting can also be changed with the gesture control function. Refer to “Gesture control” P403.

## NOTE

**The controllable temperature range may vary depending on the regional specifications of the vehicle.**

### ▼ SYNC mode (type B)

When the SYNC mode is turned on, both the driver’s and passenger’s side temperatures are synchronized using the driver’s side temperature control dial.

Press the SYNC button to turn on the SYNC mode. The SYNC button indicator will illuminate.

Press the SYNC button again or turn the passenger’s side temperature control dial to cancel the SYNC mode. The SYNC button indicator will not illuminate. In this case, temperature control on the driver’s side and passenger’s side is separated. The temperature will be controlled individually using the driver’s and passenger’s temperature control dials.

## ■ Fan speed control

Select the preferred fan speed by turning the fan speed control dial.

## ■ Air conditioner control

The air conditioner operates only when the engine is running.

Press the air conditioner button while the

fan is in operation to turn on the air conditioner. When the air conditioner is on, the “A/C” indicator light illuminates.

To turn off the air conditioner, press the button again.

## NOTE

**For efficient defogging or dehumidifying in cold weather, turn on the air conditioner. If the ambient temperature decreases to approximately 32°F (0°C), the air conditioner and dehumidification system may not operate properly.**

## ■ Air inlet selection

Select the air inlet by pressing the air inlet selection button.

- Recirculation:

When the indicator light on the air inlet selection button illuminates, interior air is recirculated inside the vehicle. Press the air inlet selection button to the ON position in the following cases.

- When driving on a dusty road
- When you want cooling performance to increase (for example, in particularly hot weather)

- Outside air circulation:

When the indicator light on the air inlet selection button does not illuminate, out-

side air is drawn into the passenger compartment. Press the air inlet selection button to the OFF position in the following cases.

- When the road is no longer dusty
- When the interior has cooled to a comfortable temperature



### WARNING

Continued operation in the ON position may fog up the windows. Switch to the OFF position as soon as the outside conditions are no longer dusty.

### NOTE

- When the indicator light on the air inlet selection button is flashing at engine starting, a malfunction might be occurring in the electrical system. We recommend that you contact your SUBARU dealer for inspection.
- The indicator light on the air inlet selection button may flash in the following cases. However, this does not indicate a malfunction.
  - After the vehicle battery has been disconnected and reconnected.
  - When the vehicle battery voltage is low.

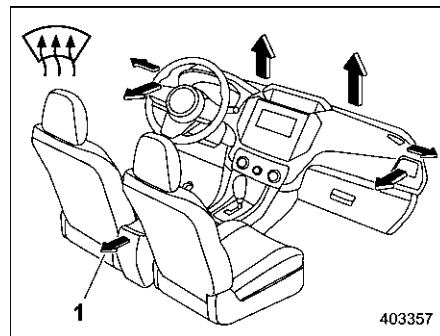
- When outside air circulation is selected, the system may automatically adjust the air inlet setting depending on such factors as the temperature setting, the temperature inside the vehicle, or conditions outside the vehicle.

### ■ To turn off the climate control system



To turn off the climate control system:

- Type A: Select the “OFF” position using the fan speed control dial.
- Type B and C: Press the ON/OFF button.

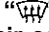

## 4-5. Defrosting




1) If equipped

Select the “” or “” mode to defrost or dehumidify the windshield and front door windows.

### NOTE

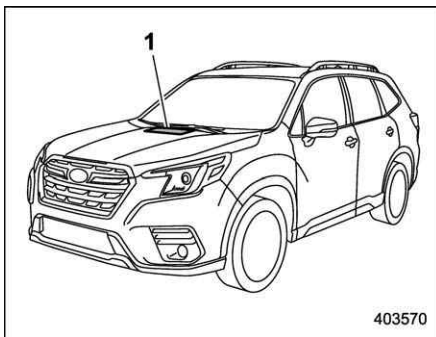
- When the “” or “” mode is selected, the air conditioner compressor operates automatically regardless of the position of the air conditioner button to defrost the windshield more quickly. However the indicator on the air conditioner button may not illuminate. At the same time, the air inlet selection is automatically set to the outside air mode.



- For types B and C climate control system, after defrosting the windshield by pressing the defroster button “

## 4-6. Operating tips for heater and air conditioner

### ■ Cleaning ventilation grille



1) Front ventilation inlet grille

Always keep the front ventilation inlet grille free of snow, leaves, or other obstructions to ensure efficient heating and defrosting. Since the condenser is located in front of the radiator, this area should be kept clean because cooling performance is impaired by any accumulation of insects and leaves on the condenser.

### ■ Efficient cooling after parking in direct sunlight

After parking in direct sunlight, drive with the windows open for a few minutes to allow outside air to circulate into the heated interior. This results in quicker cooling by the air conditioner. Keep the windows closed during the operation of the air conditioner for maximum cooling efficiency.

### ■ Lubrication oil circulation in the refrigerant circuit

Operate the air conditioner compressor at a low engine speed (at idle or low driving speeds) a few minutes each month during the off-season to circulate its oil.

### ■ Checking air conditioning system before summer season

Check the air conditioner unit for refrigerant leaks, hose conditions, and proper operation each spring. Have the air conditioning system checked by your SUBARU dealer.

## ■ Cooling and dehumidifying in high humidity and low temperature weather conditions

Under certain weather conditions (high relative humidity, low temperatures, etc.) a small amount of water vapor emission from the air outlets may be noticed. This condition is normal and does not indicate any problem with the air conditioning system.

## ■ Air conditioner compressor shut-off when engine is heavily loaded

To improve acceleration and gas mileage, the air conditioner compressor is designed to temporarily shut off during air conditioner operation whenever the accelerator is fully depressed such as during rapid acceleration or when driving on a steep upgrade.

## ■ Refrigerant for your climate control system

Your air conditioner uses ozone friendly refrigerant R-1234yf (HFO-1234yf). Consult your SUBARU dealer for service. Repairs needed as a result of using the wrong refrigerant are not covered under warranty.

## 4-7. Air filtration system

Your vehicle's air conditioning system is equipped with an air filtration system. Replace the cabin air filter according to the replacement schedule found in the "Warranty and Maintenance Booklet". This schedule should be followed to maintain the filter's dust collection ability. Under extremely dusty conditions, the filter should be replaced more frequently. Have your filter checked or replaced by your SUBARU dealer. For replacement, use only a genuine SUBARU air filter kit.



### CAUTION

**Contact your SUBARU dealer if the following occurs, even if it is not yet time to change the filter:**

- Reduction of the airflow through the vents.
- Windshield gets easily fogged or misted.

### NOTE

**The filter can influence the air conditioning, heating and defroster performance if not properly maintained.**

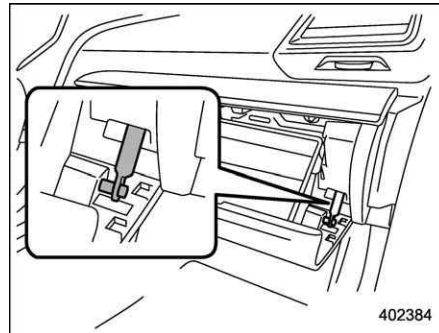
## ■ Replacing the cabin air filter

1. Remove the glove box.

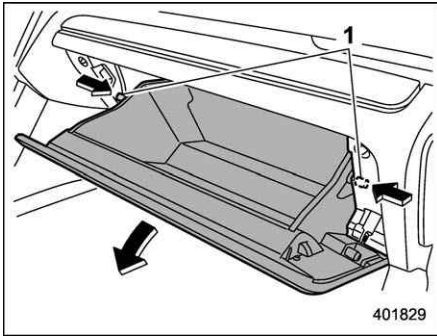
### NOTE

**We recommend that you take measures to protect the center console with masking tape first, so that you avoid scratching the center console with the glove box.**

- (1) Open the glove box.

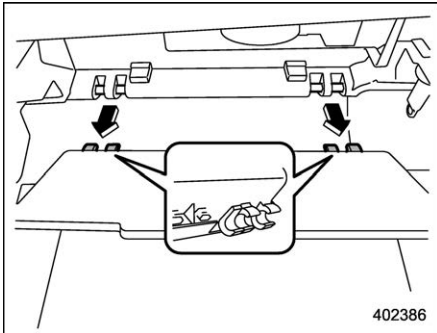


- (2) Remove the damper shaft from the glove box.



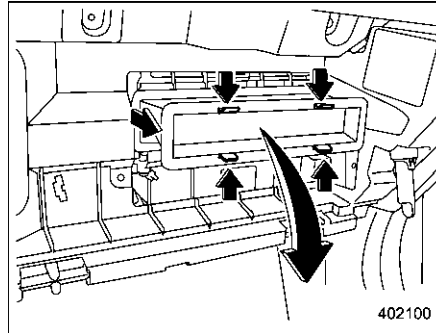
1) Stoppers

(3) Push in the stoppers located on both sides of the glove box and then pull down the glove box as far as it will go.



(4) Pull out the glove box horizontally

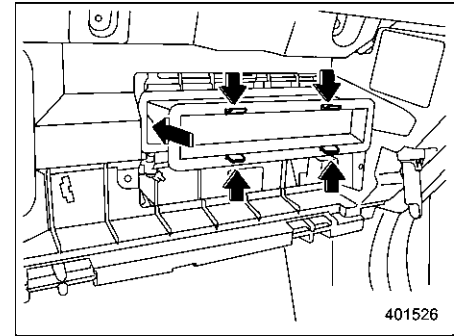
and remove the hinge portion. When doing this, be careful not to damage the hinge.



2. Remove the cabin air filter according to the following procedure in order to prevent dust on the cabin air filter from falling to the inside of its housing.

(1) Push in the four stoppers to unlock, and then slowly pull out the cabin air filter 0.4 in (1 cm) from the housing.

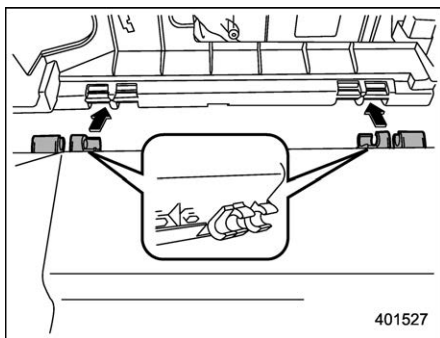
(2) Completely pull out the cabin air filter by gently tilting the front side of the cabin air filter downward.



3. Replace the cabin air filter element with a new one.

**CAUTION**

The arrow mark on the filter must point UP.



4. Reinstall the glove box, and connect the damper shaft.
5. Close the glove box.

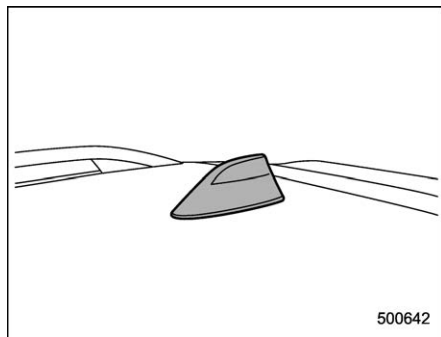
5-1. Antenna .....	282
Roof antenna.....	282

5-2. Audio set.....	282
---------------------	-----

## 5-1. Antenna

---

### ■ Roof antenna



The roof antenna is installed on the roof.

## 5-2. Audio set

---

If your vehicle is equipped with a genuine SUBARU navigation system or audio system, refer to the separate navigation/ audio Owner's Manual for details.

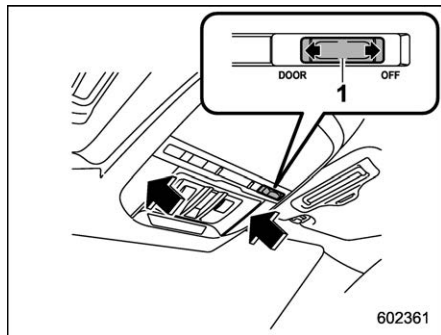
<b>6-1. Interior lights</b> .....	<b>284</b>	<b>6-10. Shopping bag hook</b> .....	<b>296</b>
Map lights .....	284	<b>6-11. Convenience hook</b> .....	<b>296</b>
Dome light.....	284	<b>6-12. Cargo area cover (if equipped)</b> .....	<b>297</b>
Cargo area light.....	285	Using the cover.....	297
Rear gate light (if equipped).....	285	To install the front part of the cover .....	297
OFF delay timer .....	286	To remove the front cover .....	298
<b>6-2. Sun visors</b> .....	<b>286</b>	To remove the cover housing .....	298
Sun visor extension plate .....	286	Stowage of the cargo area cover .....	298
Vanity mirror.....	287	To install the cover housing .....	299
Vanity mirror with light (if equipped) .....	287	<b>6-13. Cargo tie-down hooks</b> .....	<b>299</b>
<b>6-3. Overhead console</b> .....	<b>288</b>	<b>6-14. Cargo upper hooks</b> .....	<b>300</b>
<b>6-4. Storage compartment</b> .....	<b>288</b>	<b>6-15. Under-floor storage compartment</b> (if equipped) .....	<b>300</b>
Glove box.....	288	<b>6-16. Front View Monitor (if equipped)</b> .....	<b>301</b>
Center console .....	289	How to access the Front View Monitor.....	302
Cup holders.....	289	How to cancel the Front View Monitor .....	302
Bottle holders.....	289	How to adjust the display contrast and brightness .....	302
<b>6-5. Accessory power outlets</b> .....	<b>290</b>	Range of image on screen.....	303
Use with the cigarette lighter (dealer option) .....	292	Guiding line .....	304
<b>6-6. USB power supply</b> .....	<b>292</b>	Handling of camera .....	304
How to use the USB power supply.....	293	<b>6-17. Rear View Camera</b> .....	<b>305</b>
<b>6-7. Ashtray (dealer option)</b> .....	<b>294</b>		
<b>6-8. Floor mat</b> .....	<b>294</b>		
<b>6-9. Assist grip</b> .....	<b>295</b>		

## 6-1. Interior lights

### CAUTION

When leaving your vehicle, make sure the lights are turned off to avoid battery discharge.

### Map lights



1) Door interlock switch

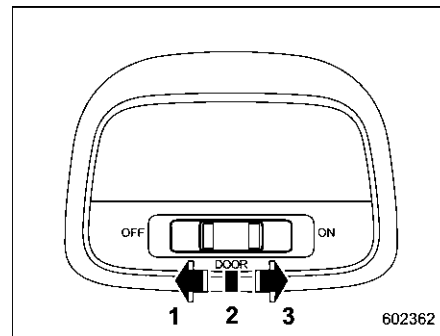
To turn on the map light, push the lens.  
To turn it off, push the lens again.

### Automatic illumination

When the door interlock switch is in the "DOOR" position, the map lights illuminate automatically in the following cases.

- Any of the doors other than the rear gate is opened.
- The doors are unlocked using the keyless access function (if equipped). Refer to "Locking and unlocking by holding the access key fob" P117.
- The doors are unlocked using the remote keyless entry system. Refer to "Remote keyless entry system" P131.
- The ignition switch is turned from the "ACC" position to the "LOCK"/"OFF" position.

### Dome light



- 1) OFF
- 2) DOOR
- 3) ON

The dome light switch has the following three positions.

**ON:** The light remains on continuously.

**OFF:** The light remains off.

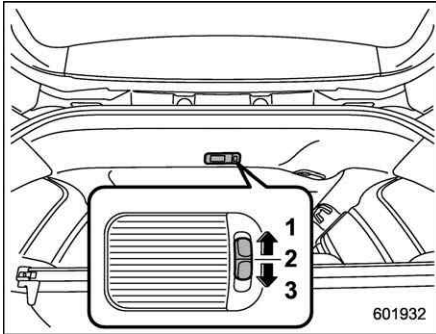
**DOOR:** The dome light illuminates automatically in the following cases.

- Any of the doors or the rear gate is opened.
- The doors or the rear gate are unlocked using the keyless access function (if equipped). Refer to "Locking and unlocking by holding the access key fob" P117.



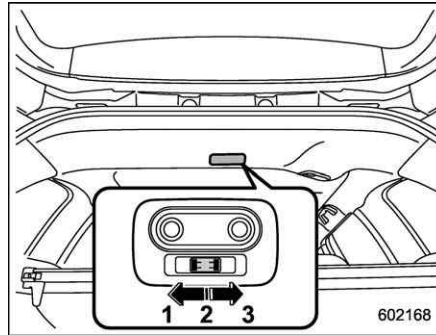
- The doors or the rear gate are unlocked using the remote keyless entry system. Refer to “Remote keyless entry system” P131.
- The ignition switch is turned from the “ACC” position to the “LOCK”/“OFF” position.

### ■ Cargo area light



#### Cargo area light (models without rear gate light)

- 1) ON
- 2) OFF
- 3) DOOR



#### Cargo area light (models with rear gate light)

- 1) OFF
- 2) DOOR
- 3) ON

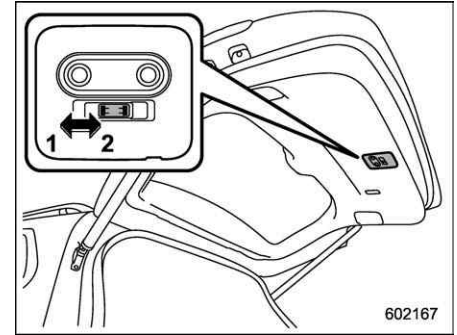
**ON:** The light remains on continuously.

**OFF:** The light remains off.

**DOOR:** The cargo area light will illuminate automatically in the following case.

- The rear gate is opened.

### ■ Rear gate light (if equipped)



#### Rear gate light

- 1) OFF
- 2) DOOR

**OFF:** The light remains off.

**DOOR:** The rear gate light will illuminate automatically in the following case.

- The rear gate is opened.

## ■ OFF delay timer

The following lights have an automatic illumination function.

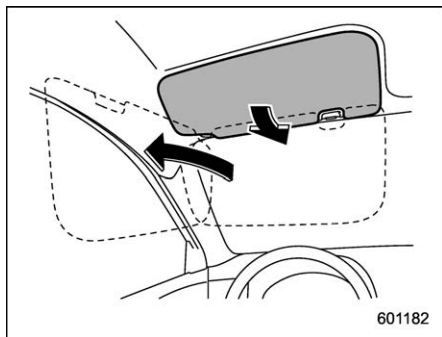
- Dome light
- Map light
- Cargo area light
- Rear gate light (if equipped)

When the interior light switch is set to the “DOOR” position, the light will automatically turn on and turn off depending on the locking and unlocking of the doors, the opening and closing of the doors including the rear gate, as well as the position of the ignition switch.

## NOTE

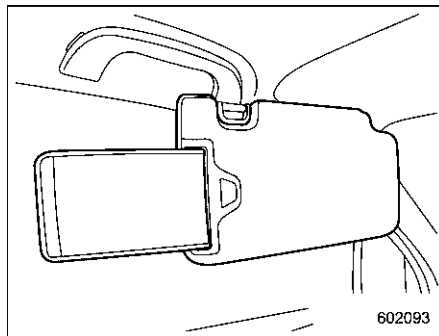
The setting for the period of time in which the lights remain on (OFF delay timer) can be changed by a SUBARU dealer. Contact your SUBARU dealer for details. For models with the combination meter display (color LCD), the setting can also be changed by operating the combination meter display (color LCD). For details, refer to “Vehicle Setting” P201.

## 6-2. Sun visors

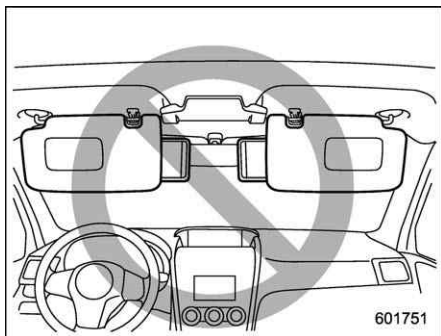


To block out glare, swing down the visors. To use the sun visor at a side window, swing it down and move it sideways.

## ■ Sun visor extension plate



With the sun visor positioned over the side window, you can use the sun visor extension plate to prevent glare through the gap between the sun visor and center pillar. To use the extension plate, pull it toward the rear of the vehicle. When you have finished using it, stow it by pushing it toward the front of the vehicle.



601751

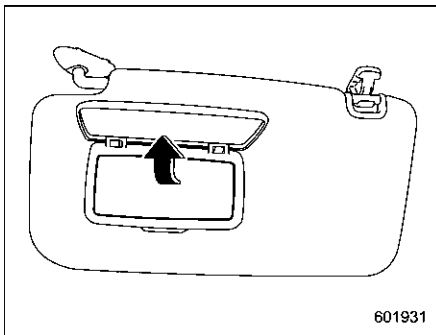
**CAUTION**

Do not pull out the extension plate with the sun visor positioned over the windshield. The extension plate would obstruct your view of the rearview mirror.

**Vanity mirror**

**CAUTION**

Keep the vanity mirror cover closed while the car is being driven to avoid being temporarily blinded by the glare of bright light.



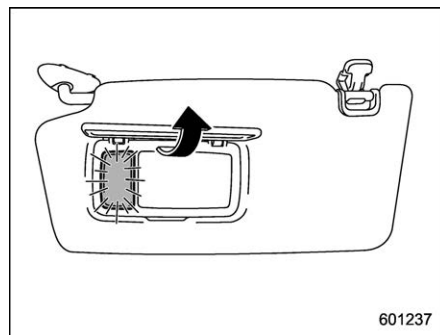
601931

To use the vanity mirror, swing down the sun visor and open the vanity mirror cover.

**Vanity mirror with light (if equipped)**

**CAUTION**

Keep the vanity mirror cover closed while the car is being driven to avoid being distracted by the light.



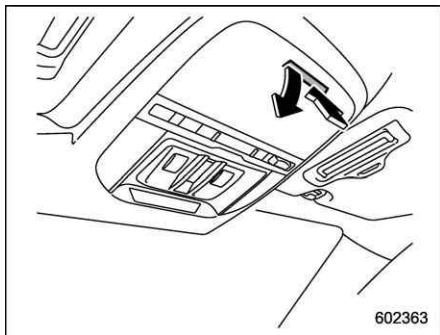
601237

To use the vanity mirror, swing down the sun visor and open the vanity mirror cover. The light beside the vanity mirror illuminates when the mirror cover is opened.

**NOTE**

Use of the vanity mirror light for a long period of time while the engine is not running can cause battery discharge.

### 6-3. Overhead console



To open the console, push on the lid lightly and it will automatically open.

#### CAUTION

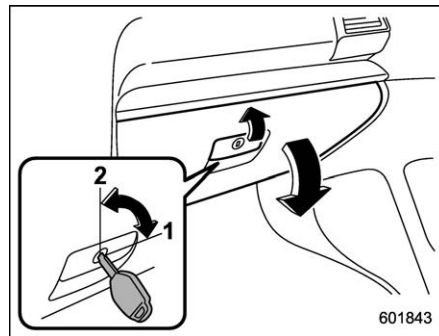
- Before driving, ensure that the overhead console is closed.
- When your vehicle is parked in the sun or on a warm day, the inside of the overhead console heats up. Avoid storing plastic or other heatvulnerable or flammable articles such as a lighter in the overhead console.

### 6-4. Storage compartment

#### CAUTION

- Always keep the storage compartment closed while driving to reduce the risk of injury in the event of a sudden stop or an accident.
- Do not store spray cans, containers with flammable or corrosive liquids or any other dangerous items in the storage compartment.

### ■ Glove box



- 1) Rotate the key clockwise to lock.
- 2) Rotate the key counterclockwise to unlock.

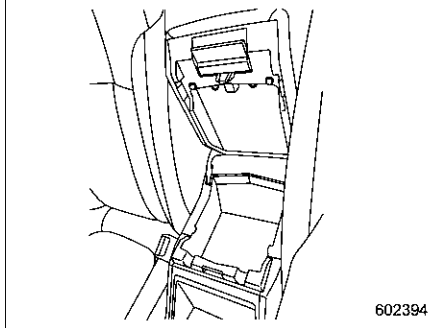
To open the glove box, pull the handle.  
To close it, push the lid firmly upward.

#### NOTE

- The emergency key is directional. If the key cannot be inserted, change the direction that the grooved side is facing and insert it again.
- For models with the “keyless access with push-button start system”, use the emergency key to lock or unlock the glove box.

## ■ Center console

The center console box provides a storage space.



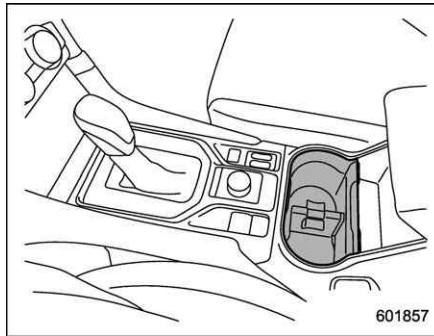
The top of the console can be used as an armrest.

## ■ Cup holders

### ▲ CAUTION

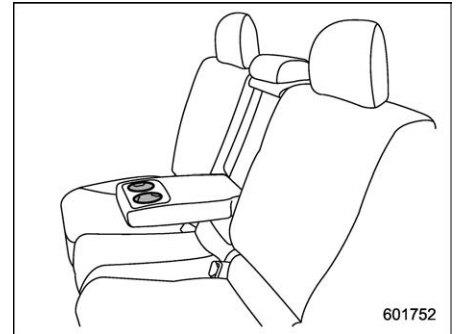
- Do not pick up a cup from the cup holder or put a cup in the holder while you are driving, as this may distract you and lead to an accident.

- Take care to avoid spills. Beverages, if hot, might scald you and/or your passengers. Spilled beverages may also damage upholstery or carpets.
- When a cup in the rear passenger's cup holder contains a beverage, do not fold down the rear seatback. Otherwise, the beverage could spill and, if the beverage is hot, it could scald you and/or your passengers.



Front passenger's cup holder

A dual cup holder is built into the center console.



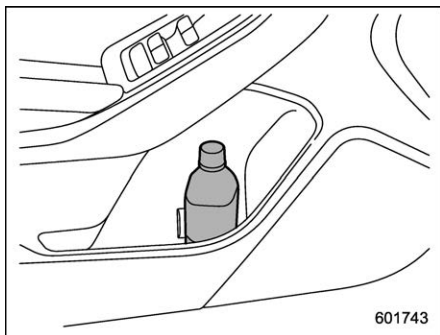
Rear seat's cup holder (if equipped)

A dual cup holder is built into the armrest.

## ■ Bottle holders

### ▲ CAUTION

- Do not pick up a bottle from the bottle holder or put a bottle in the holder while you are driving, as this may distract you and lead to an accident.
- When placing a beverage in a bottle holder, make sure it is capped. Otherwise, the beverage could spill when opening/closing the door or while driving and, if the beverage is hot, it could scald you and/or your passengers.



The bottle holder equipped on each door trim can be used to hold beverage bottles and other items.

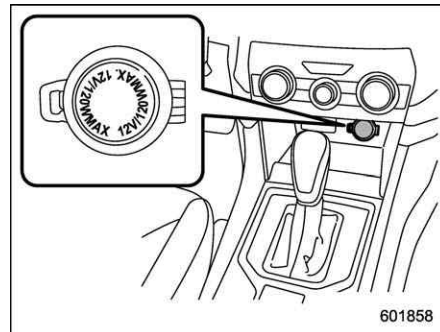
## 6-5. Accessory power outlets

### CAUTION

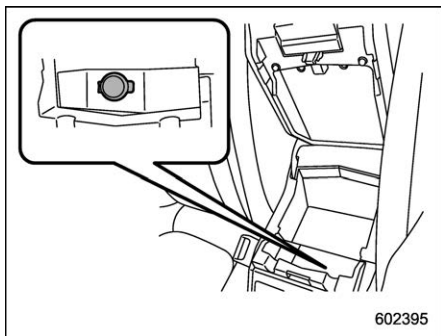
- **Do not place any foreign objects, especially metal ones, such as coins or aluminum foil, into the accessory power outlet. That could cause a short circuit. Always put the cap on the accessory power outlet when it is not in use.**
- **If the plug on your electric appliance is either too loose or too tight for the accessory power outlet, this can result in a poor contact or cause the plug to get stuck. Only use plugs that fit properly.**
- **Use of an electric appliance in the accessory power outlet for a long period of time while the engine is not running can cause battery discharge.**
- **Before driving your vehicle, make sure that the plug and the cord on your electrical appliance will not interfere with shifting gears and operating the accelerator and brake pedals. If they do, do not use the electrical appliance while**

driving.

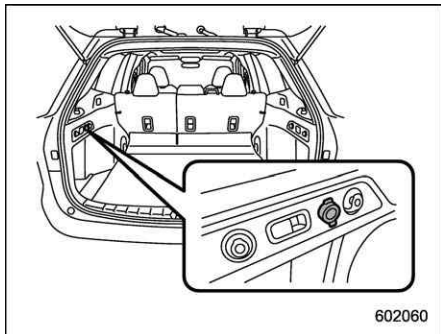
Electrical power (12 V DC) is available at any of the accessory power outlets when the ignition switch is in either the "ACC" or "ON" position. Accessory power outlets are located in the following places.



Power outlet below the climate control panel



Power outlet in the center console



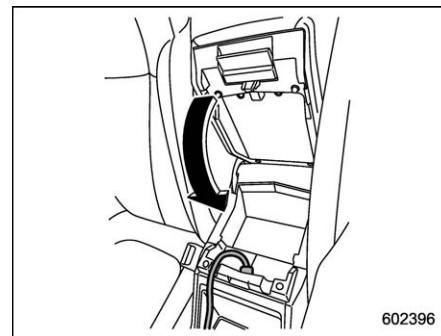
Power outlet in the cargo area

You can use an in-vehicle electrical appliance by connecting it to an outlet.

The maximum power rating of an appliance that can be connected is **120 W**.

### ⚠ CAUTION

- Do not attempt to use a cigarette lighter in the accessory power outlets.
- Use only electrical appliances which are designed for 12 V DC. The maximum power rating of an appliance that can be connected is 120 W. Do not use an appliance which exceeds the indicated wattage for each outlet.
- When using appliances connected to two outlets simultaneously, the total power consumed by them must not exceed 120 W. Overloading the accessory power outlet can cause a short circuit. Do not use double adapters or more than one electrical appliance.



### NOTE

When the lid of the center console is closed, an opening remains between the center console and the lid to allow the power outlet in the center console to be used. Pass the cord of the electrical appliance through this opening.

## ■ Use with the cigarette lighter (dealer option)

To use the accessory power outlet as a cigarette lighter socket, purchase the cigarette lighter plug, which is an optional accessory. A cigarette lighter plug is available from your SUBARU dealer.

The cigarette lighter operates only when the ignition switch is in the "ON" or "ACC" position.

To use the cigarette lighter, push in the knob and wait a few moments. It will automatically spring up when ready for use.



### WARNING

To avoid being burned, never grasp the lighter by the end with the heating element. Doing so could result in injury and could also damage the heating element.



### CAUTION

- Do not hold the lighter pushed in, because it will overheat.
- The electrical power socket is originally designed to use a genuine SUBARU cigarette lighter plug. Do not use a non-genuine

cigarette lighter plug in the socket. Doing so may cause a short-circuit and overheating, resulting in a fire.

- If the socket is ever used for a plug-in accessory such as a cell phone, that may damage the portion of the socket's internal mechanism that causes a cigarette lighter plug to "pop out" after its lighter element is heated. Therefore, do not place a cigarette lighter plug in a socket that has been used, even once, to power a plug-in accessory. Doing so may cause the plug to stick and overheat, creating a potential fire hazard.

## 6-6. USB power supply



### CAUTION

- The specification of a USB terminal that can be used is the A-type. If a different specification of terminal is connected, power supply or charging may not be possible, or the device may malfunction.
- There is a risk that a connected device may malfunction or data may be damaged. The connection of a device shall be performed at your responsibility.
- To avoid an electric shock or a malfunction, observe the following precautions.
  - Do not connect a USB hub.
  - Do not insert any metal or other foreign objects into the USB terminal.
  - Do not spill water or other liquid on the USB terminal.
- Be careful not to pull the connected cable. Doing so could break the USB terminal and the connected device.



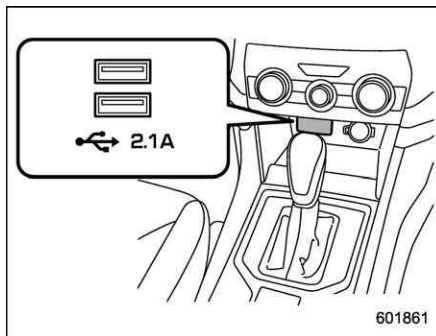
- If a device is connected for a long time when the engine is not running, the battery may be discharged. Even when the engine is running, we recommend that you do not connect a device for an unnecessarily long time.
- Do not connect a malfunctioning device. Doing so may cause smoke and fire.

## NOTE

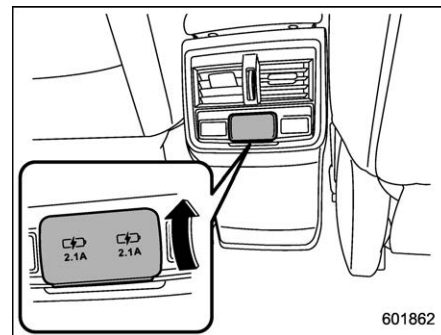
- The rated voltage of each USB terminal is DC 5 V/2.1 A (total 4.2 A). Before connecting a device, be sure to read the instruction manual of the device and check whether or not this specification of the output is supported by the device. If a device that requires power exceeding the maximum rating is connected, power supply or charging may not be possible. Even if charging could be completed, the time required for charging may be longer than when the genuine charger for that device is used.
- Depending on the device, charging may be possible only when a special cable is used. In this case, be sure to connect the device using the special cable.

- When a device that communicates with a PC is connected, power supply or charging may not be possible.
- When connect a device for charging, disconnect the device promptly after charging is completed.

## ■ How to use the USB power supply



Front seat USB power supply (An audio device can be connected and used)



Console USB power supply (power supply function only) (if equipped)

Use the USB terminal to use or charge an electronic device.

When using the terminal, open the USB power supply cover. After use, close the USB power supply cover.

When the ignition switch is in the “ACC” or “ON” position, the power can be supplied to the electronic device. Up to DC 5 V/2.1 A can be supplied from each terminal (total of 4.2 A).

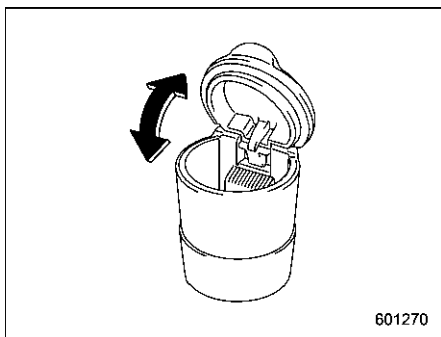
## 6-7. Ashtray (dealer option)

### CAUTION

- Do not use ashtrays as waste receptacles or leave a lighted cigarette in an ashtray. This could cause a fire.
- Always extinguish matches and cigarettes before putting them into the ashtray, and then close the ashtray securely. If you keep the ashtray open, the fire of the cigarette may spread to another cigarette butt and start a fire.
- Do not put flammable material in the ashtray.
- Do not leave a lot of cigarette butts in the ashtray.

### NOTE

Particles of ash and tobacco will accumulate around the hinges of the ashtray's inner lid. Clean them off using a toothbrush or a similar narrow-ended implement.

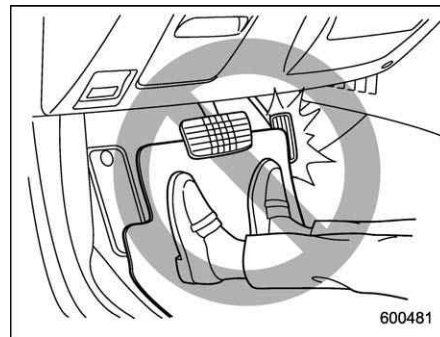


601270

The portable ashtray can be installed in each cup holder or bottle holder. For the locations of the cup holders, refer to "Cup holders" P289. For the locations of the bottle holders, refer to "Bottle holders" P289.

When using the ashtray, open the lid of the ashtray. Fully close the lid after using the ashtray to help reduce residual smoke.

## 6-8. Floor mat



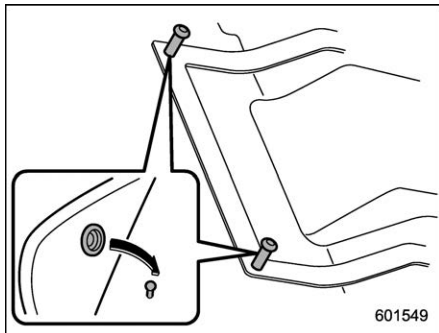
600481

### CAUTION

If the floor mat slips forward and interferes with the movement of the pedals during driving, it could cause an accident. Observe the following precautions to prevent the floor mat from slipping forward.

- Be sure to use a genuine SUBARU floor mat or an equivalent designed with grommets in the correct locations.
- Make sure that the driver's floor mat is placed in its proper location and is correctly secured on its retaining pins.

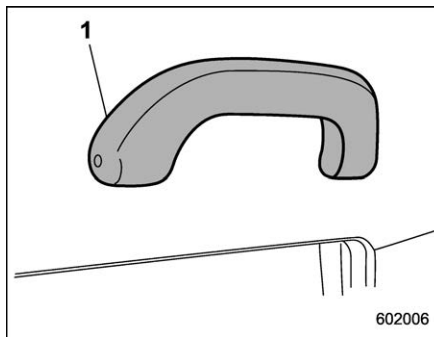
- Do not use more than one floor mat.



Retaining pins are located on the driver's side floor.

The floor mat should be properly secured using the built-in grommets, by placing the grommets over the pins and pushing them downward.

## 6-9. Assist grip



1) Assist grip

The assist grip is to be held to support the body of the passengers when they are in the seat and the vehicle is moving.

### WARNING

Do not hold the assist grip when getting up from the seat. Holding and pulling the assist grip in the wrong way could break the grip and possibly cause injury.

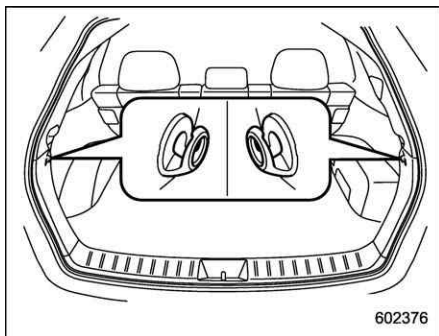
### CAUTION

Do not attach heavy objects to the assist grip. Doing so could break it and damage the object.

## 6-10. Shopping bag hook

### CAUTION

Do not hang items on the shopping bag hook that weigh 6 lbs (3 kg) or more.

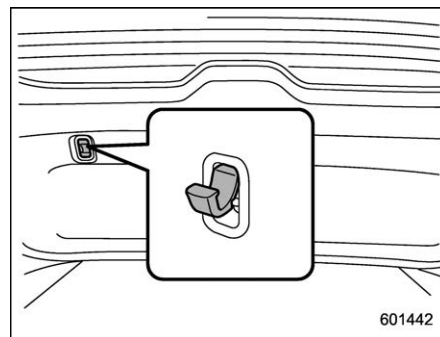


A shopping bag hook is attached to each side of the cargo area.

## 6-11. Convenience hook

### CAUTION

- Do not hang items on the convenience hook that weigh 6 lbs (3 kg) or more. Depending on the conditions of use (for example, in low temperatures, etc.), the rear gate may lower even with lighter loads. However, this is not a malfunction. Be careful not to hit your head or other body parts.
- When using the convenience hook, do not try to close the rear gate. Doing so may cause the item on the hook to be jammed in the rear gate and damaged. Remove the item from the hook before closing the rear gate.

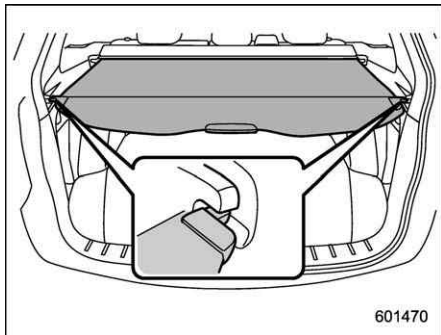


A convenience hook is attached to the rear gate trim. When the rear gate is open, you can hang a lantern, wet suit, etc. on the hook.

## 6-12. Cargo area cover (if equipped)

The cargo area cover is provided for covering the cargo area and to protect its contents from direct sunlight. This cover is detachable to make room for additional cargo.

### ■ Using the cover



To extend the cover, pull the end of the cover out of the housing, then insert its hooks into the catches as shown. To rewind it, unhook it from the catches and it will rewind automatically. You should hold on to the cover and guide it back into the cover housing while it is rewinding.

### ⚠ WARNING

Do not place anything on the extended cover. Putting excessive weight on the extended cover can break it and an object on the cover could tumble forward in the event of a sudden stop or collision. This could cause serious injury.

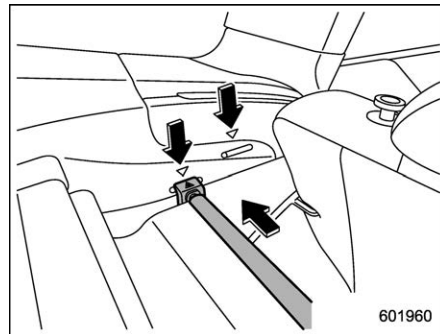
### ⚠ CAUTION

Be careful not to scratch the rear gate stays while extending and rewinding the cover. Scratches on the stays could cause leakage of gas from the stays, which may result in their inability to hold the rear gate open.

### ■ To install the front part of the cover

### ⚠ CAUTION

For models with a reclining rear seatback, when reclining, move the front part of the cover back so that it is not damaged.



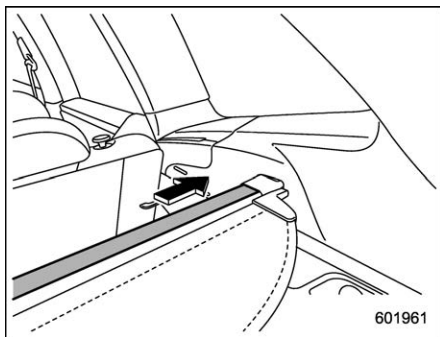
1. Align the right side of the front cover with the triangle mark before fixing the cover in place.
2. Align the left side of the front cover with the triangle mark before fixing the cover in place.
3. Push the front cover to the right side and adjust the size of the bar as necessary.

■ **To remove the front cover**

1. Push the front cover to the right side and shorten the bar.
2. Remove the front cover.

■ **To remove the cover housing**

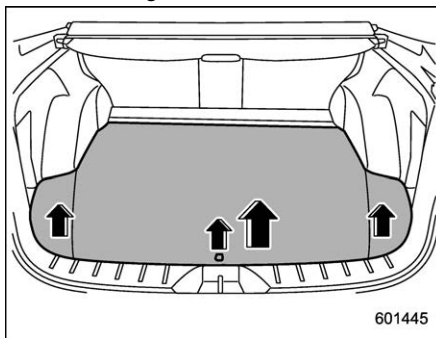
1. Rewind the cover.



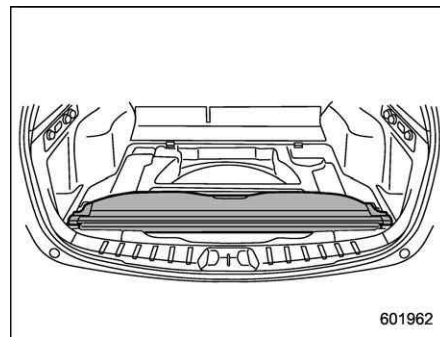
2. Push the cover housing to the right side and shorten it.
3. Take it off the retainer.

■ **Stowage of the cargo area cover**

The cargo area cover can be stowed in under the cargo floor.

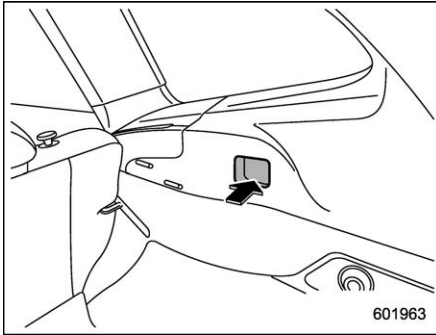


1. Pull the strap to open the center part of the cargo floor lid, and then remove the lid.
2. Remove the left and right parts of the cargo floor lid.

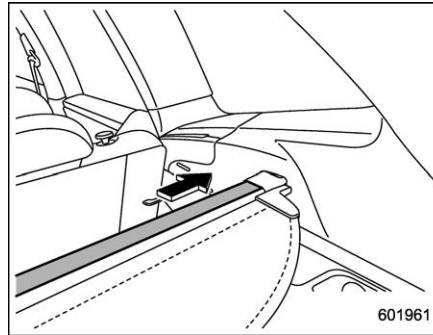


3. Stow the cover housing in the cargo area end.

## ■ To install the cover housing

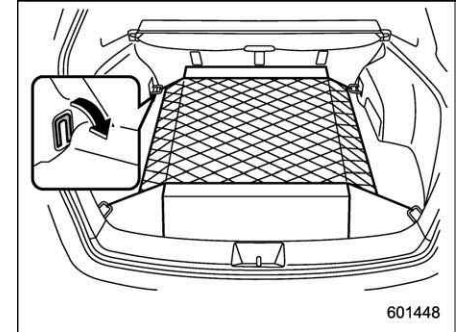


1. Insert the protrusion located on the right end of the sleeve into the recess of the retainer.



2. Push the cover housing to the right side and shorten the bar.
3. Insert the other protrusion into the recess of the other retainer.

## 6-13. Cargo tie-down hooks

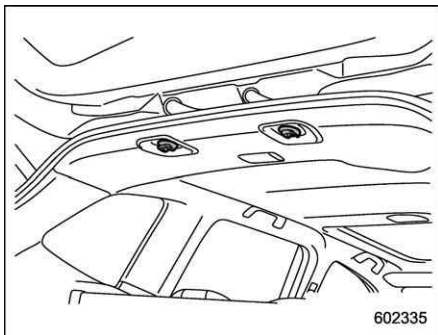


The cargo area is equipped with several tie-down hooks so that cargo can be secured with a cargo net or ropes.

When using the tie-down hooks, turn them down out of the storing recesses.

### CAUTION

The cargo tie-down hooks are designed only for securing light cargo. Never try to secure cargo that exceeds the capacity of the hooks. The maximum load capacity is 22 lbs (10 kg) per hook.

**6-14. Cargo upper hooks**

There are two hooks on the lining in the cargo area. Use them to hang or secure lightweight objects when the vehicle is stopped.


**WARNING**

**Do not hang anything on the hooks that produces a flame. Flammable gas may fill the inside of the vehicle or cause a fire.**


**CAUTION**

When using a hook, observe the following precautions.

- Do not drive with an object hanging on a hook. There is a risk that you will not be able to see behind you, or that an object may be propelled when braking or starting suddenly, which could lead to an accident or injury.

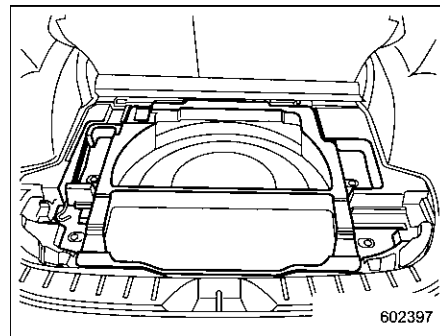
- Do not hang heavy or large objects on the hook.

**Maximum load capacity: 6 lbs (3 kg)**

- Do not use the hooks to secure the child restraint system.
- On hot, sunny days, do not leave objects hanging from the hooks for a long time. If the inside of the car becomes hot, the hook may be deformed, and the hanging objects may fall.

**6-15. Under-floor storage compartment (if equipped)****NOTE**

The shape of the storage compartment may be different depending on the model.

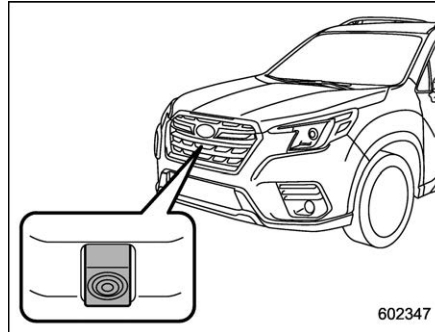


The storage compartment is located under the floor of the cargo area and can be used to store small items. Pull the strap to open the center part of the cargo floor lid, and then remove the lid.



**CAUTION**

- Always keep the lid of the storage compartment closed while driving to reduce the risk of injury in the event of sudden stop or an accident.
- Do not store spray cans, containers with flammable or corrosive liquids or any other dangerous items in the storage compartment.

**6-16. Front View Monitor (if equipped)**

The image from the camera mounted inside the front grille is displayed in the multi-function display (color LCD). This eliminates blind spots and allows the driver to check the forward direction of both sides.

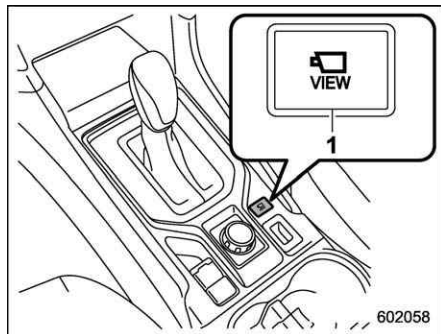
**WARNING**

- Never rely on only the Front View Monitor when driving the vehicle. The image on the monitor screen may be different from the actual situation. If you drive the vehicle by viewing only the monitor image, a collision or an unexpected

accident may occur. When driving the vehicle, always check the traffic around the vehicle directly with your eyes and the mirrors.

- Always operate the vehicle as you would without the Front View Monitor.
- Do not use the Front View Monitor in the following situations.
  - You are driving on a dirt road or a road covered in snow.
  - The camera malfunctions (e.g. the lens or bracket is broken).
- If the outside temperature is low, the monitor screen may become dark or the image may become dim. In particular, the image of a moving object may be distorted or disappear from the screen. You must always check the traffic around the vehicle directly with your eyes when driving it.

## ■ How to access the Front View Monitor



1) Front view monitor switch

To change over to the camera screen, perform either of the following operations when the ignition switch is in the “ACC” or “ON” position.

- Press the front view monitor switch.
- Shift the select lever from “R” to “D”.

## ■ How to cancel the Front View Monitor

### ▼ Manual cancellation

- Press the front view monitor switch.
- Press the INFO button.

### ▼ Automatic cancellation

If any of the following conditions are met, the Front View Monitor is canceled automatically.

#### After accessing the Front View Monitor by pressing the front view monitor switch:

- Approximately 3 minutes have passed since the last operation.
- The vehicle speed becomes 12.5 mph (20 km/h) or more\*.
- The select lever is shifted to the “P” position.
- The parking brake is applied.

\*: The Front View Monitor can be activated when pressing the front view monitor switch, regardless of the vehicle speed.

\*: When the Front View Monitor is activated at speeds of more than 12.5 mph (20 km/h), to cancel the Front View Monitor, the vehicle speed needs to be decreased to less than 12.5 mph (20 km/h) and then increased to more than 12.5 mph (20 km/h).

#### After accessing the Front View Monitor using the select lever:

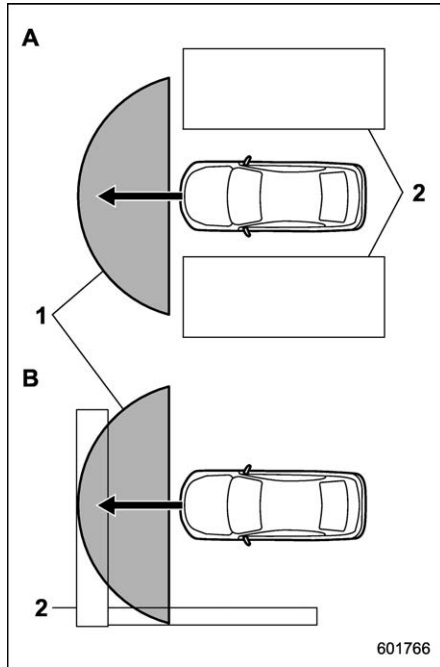
- Shift the select lever into the “P” position.
- The vehicle speed becomes 5 mph (8 km/h) or more.

- Approximately 9 seconds have passed since the last operation.
- The parking brake is applied.

## ■ How to adjust the display contrast and brightness

The contrast and brightness of the front view monitor display can be adjusted. For details, refer to “Camera settings” P229.

■ Range of image on screen



- A) Traffic intersection with a poor visibility view
- B) Parking facing a wall
- 1) Range of displayed image
- 2) Obstacles (e.g., buildings, fences or other vehicles)

**⚠ WARNING**

Because the range of the image captured by the camera is limited, always check the traffic around the vehicle directly with your eyes when driving the vehicle.

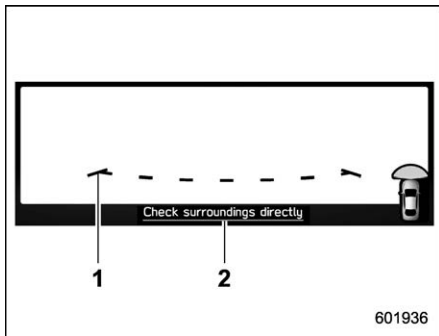
**NOTE**

- The range of the displayed image may differ depending on the vehicle status or the road surface status.
- Because the Front View Monitor system uses a specially designed lens, the sense of distance in the displayed image is different from the actual distance.
- The camera image may be difficult to view in the following situations. This is not a malfunction.
  - Dark place (at night)
  - High or low temperature around the lens
  - Water contacts lens or in high humidity (rainy weather)
  - There are foreign materials (such as mud) around the camera.
  - Sunlight or headlight beam directly shines towards the camera lens.

- Under an artificial light such as a fluorescent lamp, sodium-vapor lamp or mercury lamp, the lighted portion may look like it is flickering (flicker phenomenon).
- While the display has cooled down, the image may leave traces or become darker than usual, causing a difficulty in viewing the screen. Always check the traffic around the vehicle directly with your eyes while driving the vehicle.
- The following incidents should not be deemed a malfunction.
  - The camera lens may become foggy when the humidity is high on a rainy day.
  - The light from a vehicle or building located ahead may be reflected towards the camera image while driving at night.
  - In a dark place or while driving at night, the camera image may be adjusted to make noises less visible. Therefore, the image may look like a monochromatic image or the image colors may differ from the actual colors. The camera image may be deteriorated in regard to sharpness at the center and four corners of the screen. This is not a malfunction.

Interior equipment

## ■ Guiding line



- 1) Guiding line
- 2) Warning message

The guiding line that indicates the width and the front end of your vehicle is displayed on the display.

## ■ Handling of camera



### CAUTION

Observe the following instructions. Otherwise, the system may malfunction.

- Do not apply any strong impact to the camera such as banging it or hitting it with an object. The mounting angle may change.

- The camera unit is a waterproof structure. Do not attempt to remove, disassemble or modify the unit.
- Do not rub strongly or polish the camera lens with a hard brush or abrasive compounds. The lens may be scratched resulting in an adverse effect to the camera image.
- The camera lens is made of glass or plastic. Do not allow any organic solvent, body wax, oil film remover or glass coating agent to become attached on the lens surface. If any becomes attached, remove it immediately.
- Do not expose the camera lens to any sudden temperature change, for example, spraying hot water on it in cold weather.
- Do not apply the water jet of a high pressure washer to the camera or the surrounding area when cleaning the vehicle. The impact by the strong water pressure may cause the camera to come off. Also, water may enter inside the camera and cause a malfunction.
- If the camera is exposed to any impact, it may lead to malfunction

of the camera. Have the camera inspected by your SUBARU dealer as soon as possible.

- Do not use a steam cleaner under any circumstances. Some types of steam cleaners inject hot steam.
- The camera surface may be damaged by a flying stone.

## NOTE

If the camera lens is contaminated, no sharp image is available. When the camera is contaminated with water drops, snow or mud, wash it with water and wipe away any moisture with a soft cloth. If it heavily gets dirty, wash it with a neutral detergent.

## **6-17. Rear View Camera**

Refer to the separate navigation/audio Owner's Manual.



7-1. Fuel .....	310
Fuel requirements.....	310
Fuel filler lid and cap .....	311
7-2. State emission testing (U.S. only).....	314
7-3. Preparing to drive.....	316
7-4. Starting and stopping the engine (models without push-button start system) .....	316
Starting engine .....	317
Stopping the engine .....	318
Steering lock .....	318
7-5. Starting and stopping engine (models with push-button start system).....	319
Safety precautions.....	319
Operating range for push-button start system .....	319
Starting engine .....	319
Stopping engine .....	320
When access key fob does not operate properly.....	321
Steering lock .....	321
7-6. Remote engine start system (dealer option).....	322
Remote engine starter transceiver (fob) .....	322
Alternate operation method for models with “keyless access with push-button start system” .....	326
Entering the vehicle while it is running via remote start (models without “keyless access with push-button start system”).....	326
Entering the vehicle while it is running via remote start (models with “keyless access with push-button start system”).....	327

Entering the vehicle following remote engine start shutdown.....	327
Pre-heating or pre-cooling the interior of the vehicle .....	327
Remote transmitter program (Remote engine starter transceiver).....	327
System maintenance .....	328
Certification for remote engine starter .....	329
7-7. Continuously variable transmission .....	330
Continuously variable transmission features .....	330
Select lever .....	331
Selection of manual mode (if equipped).....	333
Selection of “L” (if equipped) .....	334
Shift lock function.....	335
Driving tips .....	336
7-8. SI-DRIVE .....	337
Intelligent (I) mode .....	337
Sport (S) mode (if equipped) .....	337
Sport Sharp (S#) mode (if equipped).....	338
SI-DRIVE switches.....	338
7-9. Power steering.....	339
Power steering warning light.....	339
Power steering system features .....	339
7-10. Braking .....	340
Braking tips .....	340
Brake system .....	340
Disc brake pad wear warning indicators .....	341
7-11. ABS (Anti-lock Brake System).....	342
ABS self-check .....	342
ABS warning light .....	342

<b>7-12. Electronic Brake Force Distribution (EBD) system</b> .....	343
If EBD system malfunctions.....	343
<b>7-13. Vehicle Dynamics Control system</b> .....	344
Safety precautions.....	344
System features.....	345
Vehicle Dynamics Control system monitor .....	345
Vehicle Dynamics Control OFF switch.....	345
<b>7-14. X-MODE (if equipped)</b> .....	347
To activate/deactivate X-MODE.....	348
Hill descent control function .....	351
<b>7-15. Tire pressure monitoring system (TPMS) (U.S.-spec. models)</b> .....	352
<b>7-16. Parking your vehicle</b> .....	354
Electronic parking brake.....	354
Parking tips .....	359
<b>7-17. Auto Start Stop system</b> .....	360
System operation .....	360
Displaying the Auto Start Stop system status .....	365
System warning .....	365
<b>7-18. Hill start assist system</b> .....	365
<b>7-19. Cruise control (if equipped)</b> .....	367
To set cruise control.....	367
To temporarily cancel the cruise control .....	368
To turn off the cruise control .....	369
To change the cruising speed .....	369
Cruise control indicator light .....	371
Cruise control set indicator light.....	371
<b>7-20. BSD/RCTA (if equipped)</b> .....	371
System features .....	371
System operation.....	374
BSD/RCTA approach indicator light/warning buzzer.....	375
BSD/RCTA OFF indicator light .....	377
BSD/RCTA warning light.....	377
BSD/RCTA OFF switch .....	378
Certification for the BSD/RCTA .....	378
Handling of radar sensors .....	380
<b>7-21. Reverse Automatic Braking (RAB) system (if equipped)</b> .....	380
Reverse Automatic Braking (RAB) system overview .....	381
Operating conditions.....	383
Reverse Automatic Braking (RAB) system operation .....	385
Canceling the Reverse Automatic Braking (RAB) system operation .....	388
Reverse Automatic Braking (RAB) system ON/OFF setting .....	389
RAB warning light.....	390
Handling of the sonar sensors .....	390
<b>7-22. Driver Monitoring System (if equipped)</b> .....	391
User recognition function.....	395
Inattentive/drowsy driving warning .....	397
Driver Monitoring System indicator/warning .....	399
Using the Driver Monitoring System .....	399
Registering and deleting a user.....	401



**Registering and deleting driver position  
personalization ..... 401**  
**Driver Monitoring System ON/OFF settings ..... 402**  
**Gesture control ..... 403**

**Certification for Driver Monitoring System  
(U.S.-spec. models) ..... 405**  
**How to get the source code using the open  
source ..... 406**

## 7-1. Fuel

### CAUTION

- Use of a fuel which is low in quality or use of an inappropriate fuel additive may cause damage to the engine and/or fuel system.
- Some gas stations, particularly those in high altitude areas, offer fuels posted as regular octane gasoline with an octane rating below 87 AKI (90 RON). Use of those fuels is not recommended.

### ■ Fuel requirements

The engine is designed to operate using **unleaded gasoline** with an octane rating of **87 AKI (90 RON) or higher**.

#### ▼ Mexico only

Add a bottle of genuine SUBARU fuel additive to the fuel every 9,000 miles (15,000 km). Refer to an authorized SUBARU dealer for details.

#### ▼ Fuel octane rating

Using a gasoline with a lower octane rating can cause persistent and heavy knocking, which can damage the engine. Do not be concerned if your vehicle sometimes

knocks lightly when you drive up a hill or when you accelerate. Contact your SUBARU dealer if you use a fuel with the specified octane rating and your vehicle knocks heavily or persistently.

#### ▼ RON

This octane rating is the Research Octane Number.

#### ▼ AKI

This octane rating is the average of the Research Octane and Motor Octane numbers and is commonly referred to as the Anti Knock Index (AKI).

#### ▼ Unleaded gasoline

The neck of the fuel filler pipe is designed to accept only an unleaded gasoline filler nozzle. Under no circumstances should leaded gasoline be used because it will damage the emission control system and may impair driveability and fuel economy.

#### ▼ Reformulated gasoline

SUBARU supports the use of reformulated gasoline when available. Reformulated gasoline has been blended to burn more cleanly and reduce vehicle emissions.

#### ▼ MMT

Some gasoline contains an octane-enhancing additive called MMT (Methylcyclopentadienyl Manganese Tricarbonyl). If

you use such fuels, your emission control system performance may deteriorate and the CHECK ENGINE warning light/Malfunction indicator light may turn on. If this happens, return to your authorized SUBARU dealer for service. If it is determined that the condition is caused by the type of fuel used, repairs may not be covered by your warranty.

#### ▼ Gasoline for cleaner air

Your use of gasoline with detergent additives will help prevent deposits from forming in your engine and fuel system. This helps keep your engine in tune and your emission control system working properly, and is a way of doing your part for cleaner air. If you continuously use a high-quality fuel with the proper detergent and other additives, you should never need to add any fuel system cleaning agents to your fuel tank.

Many gasolines are now blended with materials called oxygenates. Use of these fuels can also help keep the air cleaner. Oxygenated blend fuels, such as ethanol (ethyl or grain alcohol) may be used in your vehicle, but should contain no more than 10% ethanol for the proper operation of your SUBARU.

Do not use any gasoline that contains more than 10% ethanol, including from any

pump labeled, E15, E30, E50 or E85 (which are only some examples of fuel containing more than 10% ethanol).

In addition, some gasoline suppliers are now producing reformulated gasolines, which are designed to reduce vehicle emissions. SUBARU approves the use of reformulated gasoline.

If you are not sure what the fuel contains, you should ask your service station operators if their gasolines contain detergents and oxygenates and if they have been reformulated to reduce vehicle emissions.

As additional guidance, only use fuels suited for your vehicle as explained in the following description.

- Fuel should be unleaded and have an octane rating no lower than that specified in this manual.
- Methanol (methyl or wood alcohol) is sometimes mixed with unleaded gasoline. Methanol can be used in your vehicle **ONLY** if it does not exceed 5% of the fuel mixture **AND** if it is accompanied by sufficient quantities of the proper cosolvents and corrosion inhibitors required to prevent damage to the fuel system. Do not use fuel containing methanol **EXCEPT** under these conditions.

- If undesirable driveability problems are experienced and you suspect they may be fuel related, try a different brand of gasoline before seeking service at your SUBARU dealer.

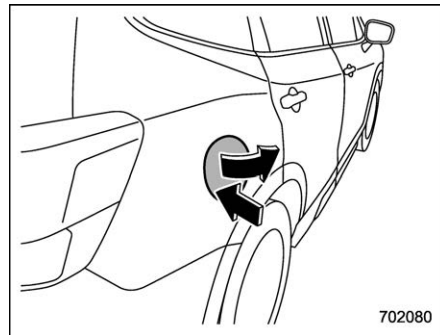
- Fuel system damage or driveability problems which result from the use of improper fuel are not covered under the SUBARU Limited Warranty.

**CAUTION**

**Do not let fuel spill on the exterior surfaces of the vehicle. Because fuel may damage the paint, be sure to wipe off any spilled fuel quickly. Paint damage caused by spilled fuel is not covered under the SUBARU Limited Warranty.**

## ■ Fuel filler lid and cap

### ▼ Locations of the fuel filler lid



### ▼ Refueling

Only one person should be involved in refueling. Do not allow others to approach the area of the vehicle near the fuel filler pipe while refueling is in progress.

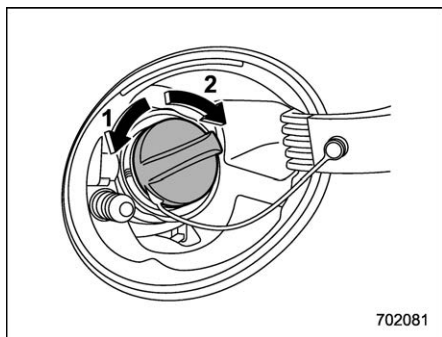
Be sure to observe any other precautions that are posted at the service station.

1. Stop the vehicle and turn the ignition switch to the "LOCK"/"OFF" position and turn off all the other electrical components.
2. To unlock the fuel filler lid, perform one of the operations below.
  - Press the unlock/disarm button on the key fob.

- Press the unlock side of the power door locking switch.
3. Push the rear side of the fuel filler lid.
  4. The fuel filler lid opens automatically. Open it further by hand.

**⚠ WARNING**

Before opening the fuel filler cap, first touch the vehicle body or a metal portion of the fuel pump or similar object to discharge any static electricity that may be present on your body. If your body is carrying an electrostatic charge, there is a possibility that an electric spark could ignite the fuel, which could burn you. To avoid acquiring a new static electric charge, do not get back into the vehicle while refueling is in progress.



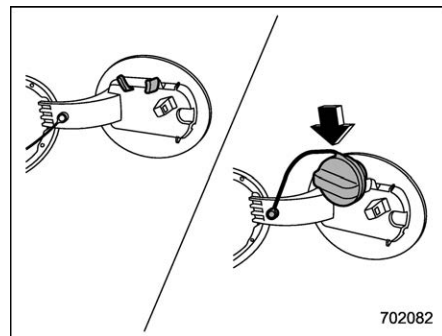
- 1) Open
- 2) Close

5. Remove the fuel filler cap by turning it slowly counterclockwise.

**⚠ WARNING**

- Gasoline vapor is highly flammable. Before refueling, always turn the ignition switch to the “LOCK”/“OFF” position first and then close all vehicle doors and windows. Make sure that there are no lighted cigarettes, open flames or electrical sparks in the adjacent area. Only handle fuel outdoors. Quickly wipe up any spilled fuel.

- When opening the cap, grasp it firmly and turn it slowly to the left. Do not remove the cap quickly. Fuel may be under pressure and spray out of the fuel filler neck, especially in hot weather. If you hear a hissing sound while you are removing the cap, wait for the sound to stop and then slowly open the cap to prevent fuel from spraying out and creating a fire hazard.



6. Set the fuel filler cap on the cap holder inside the fuel filler lid.

**WARNING**

- When refueling, insert the fuel nozzle securely into the fuel filler pipe. If the nozzle is lifted or not fully inserted, its automatic stopping mechanism may not function, causing fuel to overflow the tank and creating a fire hazard.
- Stop refueling when the automatic stop mechanism on the fuel nozzle activates. If you continue to add fuel, temperature changes or other conditions may cause fuel to overflow from the tank and create a fire hazard.

7. Stop filling the tank after the fuel filler pump automatically stops. Do not add any more fuel.

8. Put the cap back on and turn it clockwise until you hear a clicking noise. Be certain not to catch the tether under the cap while tightening.

**CAUTION**

**Make sure that the cap is tightened until it clicks to prevent fuel spillage in the event of an accident.**

9. Close the fuel filler lid completely.

**CAUTION**

If you spill any fuel on the painted surface, rinse it off immediately. Otherwise, the painted surface could be damaged.

**NOTE**

- You will see the “▶” sign in the fuel gauge. This indicates that the fuel filler door (lid) is located on the right side of the vehicle.
- If the fuel filler cap is not tightened until it clicks or if the tether is caught under the cap, the CHECK ENGINE warning light/malfunction indicator light may illuminate. Refer to “CHECK ENGINE warning light/Malfunction indicator light” P173.
- To lock the fuel filler lid, perform one of the operations below. However if these operations are performed when the fuel filler lid is open, the fuel filler lid will not lock when it is subsequently closed.
  - Press the lock/arm button on the key fob.
  - Press the lock side of the power door locking switch.
- When the doors are locked or unlocked using the automatic door lock

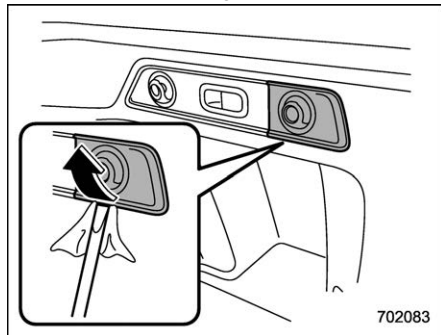
system, the fuel filler lid will be locked or unlocked at the same time.

**CAUTION**

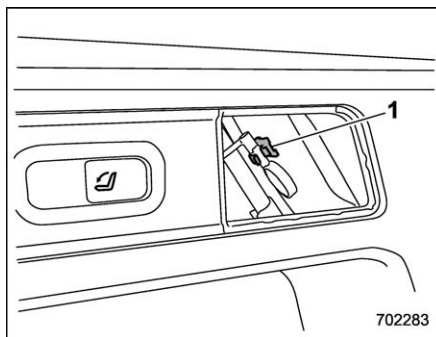
- Never add any cleaning agents to the fuel tank. The addition of a cleaning agent may cause damage to the fuel system.
- After refueling, turn the cap to the right until it clicks to ensure that it is fully tightened. If the cap is not securely tightened, fuel may leak out while the vehicle is being driven or fuel spillage could occur in the event of an accident, creating a fire hazard.
- Do not let fuel spill on the exterior surfaces of the vehicle. Because fuel may damage the paint, be sure to wipe off any spilled fuel quickly. Paint damage caused by spilled fuel is not covered under the SUBARU Limited Warranty.
- Always use a genuine SUBARU fuel filler cap. If you use the wrong cap, it may not fit or have proper venting and your fuel tank and emission control system may be damaged. It could also lead to fuel spillage and a fire.

- Immediately put fuel in the tank whenever the low fuel warning light illuminates. Engine misfires as a result of an empty tank could cause damage to the engine. Continuing to operate your vehicle at an extremely low fuel level may result in a reduction of engine performance.

▼ **If the fuel filler lid cannot be opened**  
If the fuel filler lid cannot be opened due to malfunction or a dead battery, it can be opened from the cargo area.

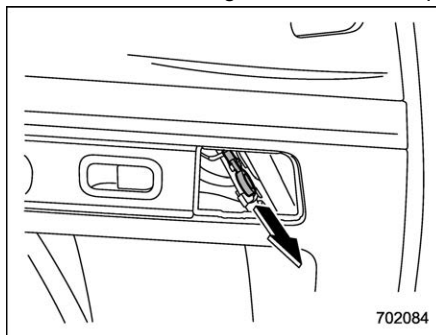


1. Remove the access cover at the right-side of the cargo area trim using flat-head screwdriver.



1) Clip

2. Remove the orange knob from the clip.



3. Pull the orange knob to unlock the fuel filler lid.

## 7-2. State emission testing (U.S. only)

### ⚠ WARNING

Only use a four-wheel dynamometer when testing an All-Wheel Drive model.

Testing of an AWD model must NEVER be performed on a single two-wheel dynamometer. Attempting to do so will result in uncontrolled vehicle movement and may cause an accident or injuries to persons nearby.

### ⚠ CAUTION

- At state inspection time, remember to tell your inspection or service station in advance not to place your SUBARU AWD vehicle on a two-wheel dynamometer. Otherwise, serious transmission damage will result.
- Resultant vehicle damage due to improper testing is not covered under the SUBARU Limited Warranty and is the responsibility of the state inspection program or

### its contractors or licensees.

California and a number of federal states have Inspection/Maintenance programs to inspect your vehicle's emission control system. If your vehicle does not pass this test, some states may deny renewal of your vehicle's registration.

Your vehicle is equipped with a computer that monitors the performance of the engine's emission control system. Certified emission inspectors will inspect the On-Board Diagnostic (OBDII) system as part of the state emission inspection process. The OBDII system is designed to detect engine and transmission problems that might cause the vehicle emissions to exceed allowable limits. OBDII inspections apply to all 1996 model year and newer passenger cars and trucks. Over 30 states plus the District of Columbia have implemented emission inspection of the OBDII system.

- The inspection of the OBDII system consists of a visual operational check of the "**CHECK ENGINE**" warning light/malfunction indicator light (MIL) and an examination of the OBDII system with an electronic scan tool.

- A vehicle passes the OBDII system inspection if proper operation of the "**CHECK ENGINE**" warning light is ob-

served, there are no stored diagnostic trouble codes, and the OBDII readiness monitors are all complete.

- A vehicle fails the OBDII inspection if the "**CHECK ENGINE**" warning light is not properly operating (light is illuminated or is not working due to faulty LED [Light Emitting Diode]) or there is one or more diagnostic trouble codes stored in the vehicle's computer.

- A state emission inspection may reject (not pass or fail) a vehicle if the number of OBDII system readiness monitors "**NOT READY**" is greater than one. If the vehicle's battery has been recently replaced or disconnected, the OBDII system inspection may indicate that the vehicle is not ready for the emission test. Under this condition, the vehicle driver should be instructed to drive his/her vehicle for a few days to reset the readiness monitors and return for an emission re-inspection.

- Owners of rejected or failing vehicles should contact their SUBARU dealer for service.

Some states still use dynamometers in their emission inspection program. A dynamometer is a treadmill or roller-like testing device that allows your vehicle's wheels to turn while the vehicle remains in one place. Prior to your vehicle being put

on a dynamometer, tell your emission inspector not to place your SUBARU AWD vehicle on a two-wheel dynamometer. **Otherwise, serious transmission damage will result.**

The U.S. Environmental Protection Agency (EPA) and states using two-wheel dynamometers in their emission testing program have EXEMPTED SUBARU AWD vehicles from the portion of the testing program that involves a two-wheel dynamometer. There are some states that use four-wheel dynamometers in their testing program. When properly used, this equipment should not damage a SUBARU AWD vehicle.

Under no circumstances should the rear wheels be jacked off the ground, nor should the driveshaft be disconnected in an attempt to bypass AWD for state emission testing. An AWD vehicle must be tested using an AWD dynamometer with all 4 wheels driven and loaded.

### 7-3. Preparing to drive

You should perform the following checks and adjustments every day before you start driving.

1. Check that all windows, mirrors, and lights are clean and unobstructed.
2. Check the appearance and condition of the tires. Also check tires for proper inflation.
3. Look under the vehicle for any sign of leaks.
4. Check that no small animals enter the engine compartment.
5. Check that the hood and rear gate are fully closed.
6. Check the adjustment of the seat.
7. Check the adjustment of the inside and outside mirrors.
8. Fasten your seatbelt. Check that your passengers have fastened their seatbelts.
9. Check the operation of the warning and indicator lights when the ignition switch is turned to the "ON" position.
10. Check the gauges, indicator and warning lights after starting the engine.



#### CAUTION

Trapping small animals in the cooling fan and belts of the engine may result in a malfunction. Check that no small animal enters the engine compartment or under the vehicle before starting the engine.

#### NOTE

- Engine oil, engine coolant, brake fluid, washer fluid and other fluid levels should be checked daily, weekly or at fuel stops.
- When towing a trailer, refer to "Trailer hitch (dealer option)" P423.

### 7-4. Starting and stopping the engine (models without push-button start system)



#### CAUTION

Do not operate the starter motor continuously for more than 10 seconds. If the engine fails to start after operating the starter for 5 to 10 seconds, wait for 10 seconds or more before trying again.

#### NOTE

It may be difficult to start the engine when the battery has been disconnected and reconnected (for maintenance or other purposes). This difficulty is caused by the electronically controlled throttle's self-diagnosis function. To overcome it, keep the ignition switch in the "ON" position for approximately 10 seconds before starting the engine.



## ■ Starting engine

### ▼ General precautions when starting engine



#### WARNING

- Never start the engine from outside the vehicle (except when using the remote engine start system). It may result in an accident.
- Do not leave the engine running in locations with poor ventilation, such as a garage and indoors. The exhaust gas may enter the vehicle or indoors, and it may result in carbon monoxide poisoning.
- Do not start the engine near dry foliage, paper, or other flammable substances. The exhaust pipe and exhaust emissions can create a fire hazard at high temperatures.



#### CAUTION

- If the engine is stopped while driving, the catalyst may overheat and burn.

- When starting the engine, be sure to sit in the driver's seat (except when using the remote engine start system).

#### NOTE

- Avoid rapid racing and rapid acceleration immediately after the engine has started.
- For a short time after the engine has started, the engine speed is kept high. When the warm-up is completed, the engine speed lowers automatically.
- On rare occasions, it may be difficult to start the engine depending on the fuel and the usage condition (repeated driving of a distance in which the engine has not warmed up sufficiently). In such a case, it is recommended that you change to a different brand of fuel.
- On rare occasions, transient knocking may be heard from the engine when the accelerator is operated rapidly such as a rapid start-up and a rapid acceleration. This is not a malfunction.
- The engine starts more easily when the headlights, air conditioner and rear window defogger are turned off.
- Do not shift the select lever while the starter is cranking.

1. Apply the parking brake.

2. Turn off unnecessary lights and accessories.

3. Shift the select lever to the "P" or "N" position (preferably the "P" position).

The starter motor will only operate when the select lever is at the "P" or "N" position.

4. Turn the ignition switch to the "ON" position and check the operation of the warning and indicator lights. Refer to "Warning and indicator" P168.

5. Turn the ignition switch to the "START" position **without** depressing the accelerator pedal. Release the key immediately after the engine has started.

If the engine does not start, try the following procedure.

(1) Turn the ignition switch to the "LOCK"/"OFF" position and wait for at least 10 seconds. After checking that the parking brake is firmly set, turn the ignition switch to the "START" position while depressing the accelerator pedal slightly (approximately a quarter of the full stroke). Release the accelerator pedal as soon as the engine starts.

(2) If this fails to start the engine, turn the ignition switch back to the "LOCK"/"OFF" position and wait for at least 10 seconds. Then fully depress the accelerator pedal and turn the ignition switch to the "START" position. If the

engine starts, quickly release the accelerator pedal.

(3) If this fails to start the engine, turn the ignition switch again to the "LOCK"/"OFF" position. After waiting for 10 seconds or longer, turn the ignition switch to the "START" position without depressing the accelerator pedal.

(4) If the engine still does not start, contact your nearest SUBARU dealer for assistance.

6. Confirm that all warning and indicator lights have turned off after the engine has started. The fuel injection system automatically lowers the idle speed as the engine warms up.

While the engine is warming up, make sure that the select lever is in the "P" or "N" position and that the parking brake is applied.

 **CAUTION**

**If you restart the engine while the vehicle is moving, shift the select lever into the "N" position. Do not attempt to place the select lever of a moving vehicle into the "P" position.**

## ■ Stopping the engine

The ignition switch should be turned off only when the vehicle is stopped and the engine is idling.

 **WARNING**

**Do not stop the engine when the vehicle is moving. This will cause loss of power to the power steering and the brake booster, making steering and braking more difficult. It could also result in accidental activation of the "LOCK"/"OFF" position on the ignition switch, causing the steering wheel to lock.**

## ■ Steering lock

After stopping the engine and the key is removed from ignition switch, the steering wheel will be locked due to the steering lock function.

When the engine is restarted, the steering lock will be automatically released.

### ▼ When the steering lock cannot be released

When you cannot unlock the steering wheel, perform the following steps.

1. Check that the parking brake is applied.

2. Turn off unnecessary lights and accessories.

3. Check that the select lever is set in the "P" position.

4. Depress the brake pedal and keep it depressed.

5. Turn the ignition switch to the "ON" position while turning the steering wheel left and right.

If you cannot unlock the steering wheel by doing the steps, contact your nearest SUBARU dealer.

## 7-5. Starting and stopping engine (models with push-button start system)

### ■ Safety precautions

Refer to "Safety precautions" P114.

### ■ Operating range for push-button start system

Refer to "Operating range for push-button start system" P162.

### ■ Starting engine

#### WARNING

- There are some general precautions when starting the engine. Carefully read the precautions described in "Starting engine" P317.
- If the indicator on the push-button ignition switch flashes in green after the engine has started, never drive the vehicle. The steering is still locked, and it may result in an accident.

#### CAUTION

- When the operation indicator on the push-button ignition switch is flashing in orange, there may be a malfunction with the vehicle. Contact a SUBARU dealer immediately.
- If the indicator on the push-button ignition switch is flashing in green after the engine has started, it means that the steering is still locked. Depress the brake pedal while moving the steering wheel to the right and left, and press the push-button ignition switch.
- Do not continue pushing the push-button ignition switch for more than 10 seconds. Doing so could cause a malfunction. If the engine does not start, stop pushing the push-button ignition switch. Instead, press the push-button ignition switch without depressing the brake pedal to switch the power status to "OFF". Wait 10 seconds, and then push the push-button ignition switch to start the engine.

#### NOTE

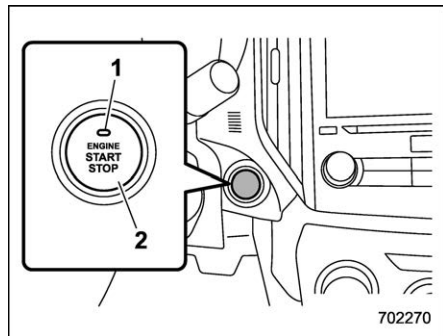
- For a short time after the engine has started, the engine speed is kept high. When the warm-up is completed, the engine speed lowers automatically.
- When the push-button ignition switch is pressed while depressing the brake pedal, the engine starter operates for a maximum of 10 seconds. After starting the engine, the starter stops automatically.
- When the push-button ignition switch is pressed while depressing the brake pedal, the engine can be started regardless of the status of the push-button ignition switch.
- If the security indicator light illuminates when you attempt to start the engine but the engine does not start, press the push-button ignition switch to switch the power to "OFF" and then try to start the engine again.
- If the engine does not start, press the push-button ignition switch without depressing the brake pedal to switch the power to "OFF". Then, while depressing the brake pedal more forcefully, press the push-button ignition switch.
- The engine start procedures may not function depending on the radio wave conditions around the vehicle. In such

a case, refer to “Starting engine” P452.

- It may be difficult to start the engine when the battery has been disconnected and reconnected (for maintenance or other purposes). This difficulty is caused by the electronically controlled throttle’s self-diagnosis function. To overcome it, keep the ignition switch in the “ON” position for approximately 10 seconds before starting the engine.

- If the vehicle battery is discharged, the steering cannot be unlocked. Charge the battery.

- Do not shift the select lever while the starter is cranking.



- 1) Operation indicator
- 2) Push-button ignition switch

When the push-button ignition switch is pressed while depressing the brake pedal, the engine will start. The starting procedure for the engine is as follows.

1. Carry the access key fob, and sit in the driver’s seat.
2. Apply the parking brake.
3. Shift the select lever into the “P” position. The engine can also start when the select lever is in the “N” position, however, for safety reasons, start in the “P” position.
4. Depress the brake pedal until the operation indicator on the push-button ignition switch turns green. When starting with the select lever in the “N” position, the indicator does not turn green.
5. While depressing the brake pedal, press the push-button ignition switch.

#### NOTE

- While pressing the select lever button in, the indicator on the push-button ignition switch will not turn green even when the select lever is in the “P” position.
- In case the engine does not start by the normal engine start procedure, move the select lever to the “P” position, and switch the power to “ACC”. Depress the brake pedal, and press the

push-button ignition switch for at least 15 seconds. The engine may start. Only use this engine start procedure in case of emergency.

- When the engine is not started, the brake pedal may feel stiff. In such a case, depress the brake pedal more forcefully than usual. Check that the operation indicator on the push-button ignition switch turns green, and press the push-button ignition switch to start the engine.

#### ■ Stopping engine

1. Stop the vehicle completely.
2. Move the select lever to the “P” position.
3. Press the push-button ignition switch. The engine will stop, and the power will be switched off.



#### WARNING

- Do not touch the push-button ignition switch during driving. When the push-button ignition switch is operated as follows, the engine will stop.
  - The switch is pressed and held for 2 seconds or longer.
  - The switch is pressed briefly 3

times or more in succession.

When the engine stops, the brake booster will not function. A greater foot pressure will be required on the brake pedal.

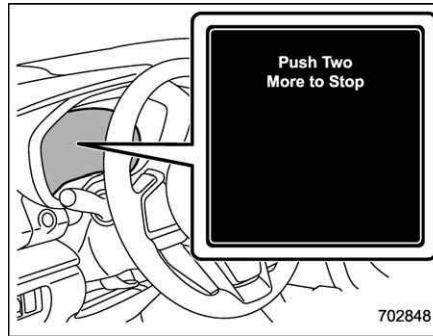
The power steering system will not operate either. A greater force will be required to steer, and it may result in an accident.

- If the engine stops during driving, do not operate the push-button ignition switch or open any of the doors until the vehicle is stopped in a safe location. It is dangerous because the steering lock may be activated. Stop the vehicle in a safe place, and contact a SUBARU dealer immediately.



### CAUTION

- Do not stop the engine while the select lever is in a position other than the “P” position.
- If the engine is stopped while the select lever is in a position other than the “P” position, the power will be in “ACC”. If the vehicle is left in this condition, the battery may be discharged.



### NOTE

- If you press the push-button ignition switch while driving, the emergency engine stop interrupt screen alerts the driver by messages on the combination meter display (color LCD) and beeps.
- Although you can stop the engine by operating the push-button ignition switch, do not stop the engine during driving except in an emergency.

### ■ When access key fob does not operate properly

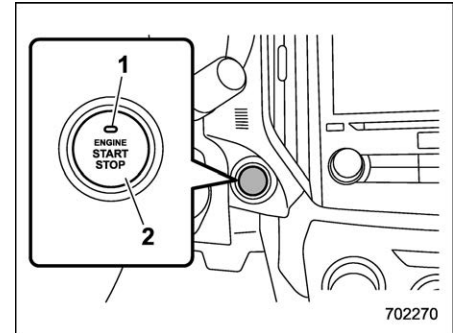
Refer to “Access key fob – if access key fob does not operate properly” P451.

### ■ Steering lock

After stopping the engine and any door including the rear gate is opened, the steering wheel will be locked due to the steering lock function.

When the engine is restarted, the steering lock will be automatically released.

### ▼ When the steering lock cannot be released



- 1) Operation indicator
- 2) Push-button ignition switch

When you cannot restart the engine due to the steering lock, check the status of operation indicator and perform the following steps.

▽ Operation indicator flashing in green

1. Check that the select lever is set in the "P" position.
2. Depress the brake pedal and keep it.
3. Press the push-button ignition switch while turning the steering wheel left and right.

▽ Operation indicator flashing in orange

There may be a malfunction in the steering lock function. Immediately contact your nearest SUBARU dealer.

## 7-6. Remote engine start system (dealer option)

 **WARNING**

- There are some general precautions when starting the engine. Carefully read the precautions described in "General precautions when starting engine" P317.
- Do not remote start a vehicle in an enclosed environment (e.g. closed garage). Prolonged operation of a motor vehicle in an enclosed environment can cause a harmful build-up of carbon monoxide. Carbon monoxide is harmful to your health. Exposure to high levels of carbon monoxide can cause headaches, dizziness or in extreme cases unconsciousness and/or death.

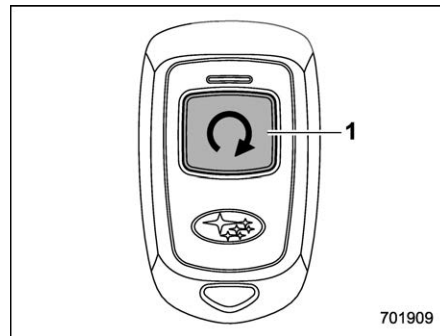
The remote engine start system allows you to start the engine from outside the vehicle. In addition, the remote engine start system can activate the heater or air conditioner, providing you with a comfortable cabin upon entry. For more details, refer to the Owner's Manual supplement for the re-

mote engine start system.

### NOTE

- The length of time for which it is acceptable to allow the engine to remain idling may be bound by local laws and regulations. Check the local rules when using the remote engine start system.
- When taking your vehicle in for service, it is recommended that you inform the service personnel that your vehicle is equipped with a remote engine start system.

### ■ Remote engine starter transceiver (fob)



1) Fob button

**▼ Starting the engine****NOTE**

**All vehicle doors (including rear gate) and the engine hood must be closed prior to activating the remote engine start system. Any open entry point will prevent starting or cause the engine to stop.**

The remote engine start system is activated by pressing the fob button on your remote engine starter transceiver (fob) twice within 3 seconds. If the fob is within operating range of the system and the start request is received, the following will occur.

- The fob flashes and beeps once.
- The horn sounds once.
- The side marker lights, tail lights, and parking lights flash once.

If the fob is not within range (the user is too far away from the vehicle), the fob will indicate two long flashes without beeping.

The system will check certain safety preconditions before starting, and if all conditions are met, the engine will start within 5 seconds. After the engine starts, the following will occur.

- The fob flashes and beeps twice.
- The horn sounds once.

- The side marker lights, tail lights, and parking lights flash once.

While the engine is idling via the remote engine start system, the following will occur.

- The side marker lights, tail lights, and parking lights remain illuminated.
- The fob button flashes once every 3 seconds.
- The power windows are disabled.

If the engine turns over but does not start (or starts and stalls) the remote engine start system will power off and then attempt to start the engine 3 additional times. The system will not attempt to restart the engine if it determines a vehicle malfunction is preventing starting. If the engine does not start after 3 additional attempts, the remote engine start request will be aborted.

**▼ Stopping the engine**

Press and hold the fob button for at least 2 seconds to stop the engine. The fob will flash and beep three times, indicating the engine has stopped. If the stop request is not received (for example, if the user is too far away from the vehicle), the fob will continue to flash once every 3 seconds. The system will automatically stop the engine after 15 minutes.

**▼ Remote start safety features**

For safety and security reasons, the remote engine start system will prevent starting (or stop the engine if running) and sound the horn twice if any of the following conditions is detected. In addition, the fob will flash and beep 3 times.

- The total run-time has exceeded 20 minutes.
- The brake pedal is depressed.
- A key is in the ignition switch.
- The engine hood is open.
- The engine idle speed exceeds 3,500 rpm.
- The security alarm is triggered.
- The select lever is not in the “P” position.

If the system detects any door (including the rear gate) open during operation, it will prevent starting or stop the engine, and sound the horn and flash side marker lights, tail lights, and parking lights 6 times.

In addition to the items above, if the vehicle’s engine management system determines there is a safety risk due to a vehicle-related problem, the vehicle will power down and the horn will sound 3 times.

## **NOTE**

- If the alarm system is armed at the time of remote engine starter activation (the security indicator light on the combination meter is flashing), the alarm system will remain armed throughout the remote start run cycle.
- If the alarm system is disarmed at the time of remote engine starter activation (the security indicator light on the combination meter is not flashing), the alarm system will remain disarmed throughout the remote start run cycle.

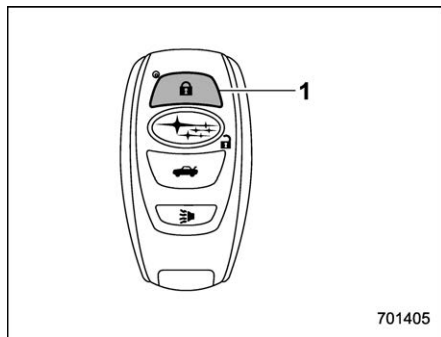
### **▼ Remote start operation - fob confirmation**

Your remote engine starter fob is a bidirectional transceiver that can confirm system operation with several different visual and audible indications. The fob's LED-backlit button and internal piezo buzzer will indicate status of the system using the following flash and beep sequences, provided the fob is within operational range of the system.



Precondition	Fob Indication		Meaning
	Flash	Beep	
Fob start button is being pressed	Continuous while button is held down	—	The fob is transmitting an RF signal
User attempts to start engine by pressing fob button twice within 3 sec	1 flash	1 beep	Engine start request received
	2 flashes	2 beeps	Engine started successfully
	1 flash every 3 sec	—	Engine idling
	3 flashes	3 beeps	Vehicle is in range but engine not started
	2 long flashes	—	Vehicle not in range (engine not started)
Engine idling by remote engine start operation	1 flash every 3 sec	—	Engine idling
	3 flashes	3 beeps	Engine stopped by system timeout or for safety reasons (see sections above)
User attempts to stop engine by pressing and holding fob button for at least 2 sec	3 flashes	3 beeps	Engine stopped by user request
	1 flash every 3 sec	—	Stop request not received. Engine still idling.

## ■ Alternate operation method for models with “keyless access with push-button start system”



### Access key fob

- 1) Lock button

An access key fob can be used as the remote engine start transmitter. Operate the lock button to start or stop the engine as follows.

### ▼ Before starting the engine

Before using the remote engine start system to start the engine, confirm the following conditions.

- The select lever is in the “P” position.
- All doors including the rear gate are closed.

- The engine hood is closed.
- The push-button ignition switch is in the “OFF” position.

### ▼ When starting the engine

To start the engine with remote engine start system, briefly press the lock button twice within 2 seconds, then press and hold the lock button for 3 seconds.

1. Press the lock button briefly. The hazard warning flashers then flash once and the keyless buzzer chirps once.
2. Within 2 seconds, press the lock button briefly again. The hazard warning flashers then flash once again, and the keyless buzzer chirps once again.
3. After step 2, immediately press and hold the lock button. Some exterior lights then flash three times, and the horn will honk once.
4. Approximately 3 seconds after step 3, release the lock button. The engine will then start successfully.

### ▼ When stopping the engine

Press and hold the lock button to stop the engine with remote engine start system.

### ▼ Remote start safety features

For detailed information, refer to “Remote start safety features” P323.

## ■ Entering the vehicle while it is running via remote start (models without “keyless access with push-button start system”)

1. Unlock the vehicle doors using the remote keyless entry system.

### NOTE

If the vehicle’s doors are unlocked manually using the key, the vehicle’s alarm system will trigger (if the alarm system is armed prior to activating the remote engine start system) and the engine will turn off. Perform either of the following procedures to disarm the alarm system. Refer to “Alarm system”

#### ☞ P139.

- Insert the key into the ignition switch and turn it to the “ON” position.
- Press any button on the remote keyless entry transmitter.

2. Enter the vehicle. The engine will shut down when any door or rear gate is opened.
3. Insert the key into the ignition switch and turn it to the “START” position to restart the engine.

## ■ Entering the vehicle while it is running via remote start (models with “keyless access with push-button start system”)

1. Unlock the vehicle doors using the keyless access function and remote keyless entry system.

### NOTE

If the vehicle's doors are unlocked manually using the key, the vehicle's alarm system will trigger (if the alarm system is armed prior to activating the remote engine start system) and the engine will turn off. Perform either of the following procedures to disarm the alarm system. Refer to “Alarm system” **P139**.

- Turn the push-button ignition switch to the “ACC” or “ON” position.
  - Press any button on the access key fob.
2. Enter the vehicle. The engine will remain running provided the access key fob is present and detected by the vehicle.
3. Press the push-button ignition switch once while depressing the brake pedal before driving your vehicle. The remote engine starter transceiver (fob) will flash

and beep 3 times to indicate that the remote start system has been shut down.

## ■ Entering the vehicle following remote engine start shutdown

An alarm trigger may occur if the vehicle is opened by the remote keyless entry transmitter within a few seconds immediately following remote engine start shutdown.


## ■ Pre-heating or pre-cooling the interior of the vehicle

Before exiting the vehicle, set the temperature controls to the desired setting and operation. After the system starts the engine, the heater or air conditioning will activate and heat or cool the interior to your setting.

## ■ Remote transmitter program (Remote engine starter transceiver)

New transmitters can be programmed to the remote engine start system in the event that a transmitter is lost, stolen, damaged or additional transmitters are desired (the system will accept up to eight transmitters). New remote engine start transmitters can be programmed accord-

ing to the following procedure.

1. Open the driver's door (the driver's door must remain open throughout the entire process).
2. Depress and hold the brake pedal.
3. Turn the ignition switch to “ON” then “LOCK”/“OFF”, back to “ON” then “LOCK”/“OFF”, back to “ON” then “LOCK”/“OFF”, then back to “ON” again and leave the ignition “ON” throughout the programming process.
4. The system will flash the side marker lights, tail lights and parking lights and honk the horn three times, indicating that the system has entered the transmitter learn mode.
5. Press and release the “” button on the transmitter that you want to program.
6. The system will flash the side marker lights, tail lights and parking lights and honk the horn one time, indicating that the system has learned the transmitter. Upon successful programming, the remote start confirmation transmitter button will flash one time.
7. Repeat step 5 for any additional transmitters (the system will accept up to eight transmitters).
8. The system will exit the transmitter learn mode if the key is turned to the “LOCK”/“OFF” position, the door is closed

or after 2 minutes.

## ■ System maintenance

### NOTE

**For remote engine starter transceiver:**  
In the event that the vehicle's battery is replaced, discharged or disconnected, it will be necessary to start the vehicle a minimum of one time using the key prior to activating the remote engine start system. This is required to allow the vehicle electronic systems to re-synchronize.

### ▼ Changing the battery



### CAUTION

- Do not let dust, oil or water get on or in the remote engine start transmitter when replacing the battery.
- Be careful not to damage the printed circuit board in the remote engine start transmitter when replacing the battery.
- Be careful not to allow children to touch the battery and any removed parts; children could swallow them.

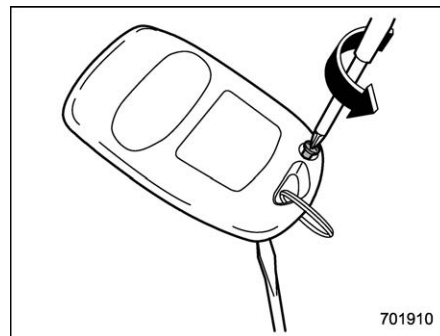
- There is a danger of explosion if an incorrect replacement battery is used. Replace only with the same or equivalent type of battery.
- Battery should not be exposed to excessive heat such as sunshine, fire or the like.

### For models with “keyless access with push-button start system”:

Perform the procedure described in “Replacing battery of access key fob” P508.

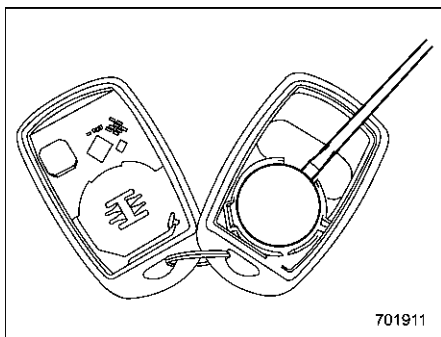
### For remote engine starter transceiver:

The 3-volt lithium battery (model CR-2450) supplied in your remote engine start transmitter should last approximately one year, depending on usage. When the battery begin to weaken, you will notice a decrease in range (distance from the vehicle that your remote control operates). Follow the instructions below to change the remote engine start transmitter battery.

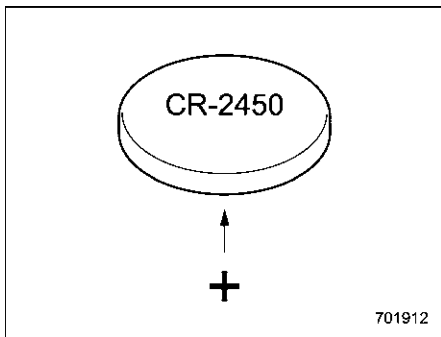


701910

1. Remove the small Phillips screw located on the back side lower left corner of the transmitter.
2. Carefully pry the remote engine start transmitter halves apart using a small flat-head screwdriver.



701911



701912

3. Remove the circuit board from the bottom half of the case and remove the battery and replace with new one. Be sure to observe the (+) sign on the old battery before removing it to ensure that the new battery is inserted properly (battery “+”

should be pointed away from the transmitter circuit board on battery).

4. Carefully snap the case halves back together, reinstall the phillips screw and test the remote engine start system.

### ■ Certification for remote engine starter

#### ▼ U.S.-spec. models

#### ▲ CAUTION

#### FCC WARNING

Changes or modifications not expressly approved by the party responsible for compliance could void the user's authority to operate the equipment.

#### NOTE

This device complies with part 15 of the FCC Rules. Operation is subject to the following two conditions: (1) This device may not cause harmful interference, and (2) this device must accept any interference received, including interference that may cause undesired operation.

#### ▼ Canada-spec. models

#### NOTE

This device complies with Industry Canada's licence-exempt RSSs. Operation is subject to the following two conditions: (1) This device may not cause interference; and (2) This device must accept any interference, including interference that may cause undesired operation of the device.

#### REMARQUE

Le présent appareil est conforme aux CNR d'Industrie Canada applicables aux appareils radio exempts de licence. L'exploitation est autorisée aux deux conditions suivantes: (1) l'appareil ne doit pas produire de brouillage; (2) l'utilisateur de l'appareil doit accepter tout brouillage radioélectrique subi, même si le brouillage est susceptible d'en compromettre le fonctionnement.

203226

## 7-7. Continuously variable transmission

### WARNING

Do not shift from the “P” or “N” position into the “D” or “R” position while depressing the accelerator pedal. This may cause the vehicle to jump forward or backward.

### CAUTION

- Observe the following precautions. Otherwise, the transmission could be damaged.
  - Shift into the “P” or “R” position only after the vehicle has completely stopped.
  - Do not shift from the “D” position into the “R” position or vice versa until the vehicle has completely stopped.
- Do not race the engine for more than 5 seconds in any position except the “N” or “P” position when the brake is applied or when chocks are used in the wheels. This may cause the transmission fluid to overheat.

- Never move the vehicle as follows. Doing so may result in an unexpected accident or malfunction.
  - Moving rearward by inertia with the select lever set in a forward driving position.
  - Moving forward by inertia with the select lever set in the “R” position.
- When parking the vehicle, first securely apply the parking brake and then place the select lever in the “P” position. Avoid parking for a long time with the select lever in any other position as doing so could result in a dead battery.

## ■ Continuously variable transmission features

The continuously variable transmission is electronically controlled and provides an infinite number of forward speeds and 1 reverse speed. It also has a manual mode or an “L” position.

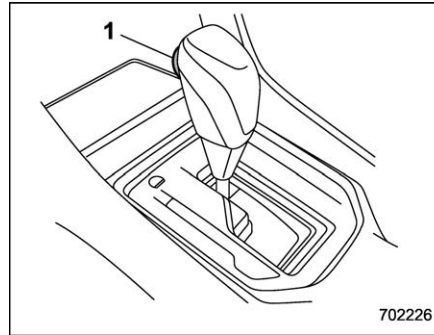
### NOTE

- When the engine coolant temperature is still low, the transmission will shift at higher engine speeds than when the coolant temperature is sufficiently high in order to shorten the warm-up time and improve driveability. The gearshift timing will automatically shift to the normal timing after the engine has warmed up.
- Immediately after transmission fluid is replaced, you may feel that the transmission operation is somewhat unusual. This results from invalidation of data which the on-board computer has collected and stored in memory to allow the transmission to shift at the most appropriate times for the current condition of your vehicle. Optimized shifting will be restored as the vehicle continues to be driven for a while.
- When driving a CVT model under continuous heavy load conditions such as when towing a camper or climbing a

long, steep hill, the engine speed or the vehicle speed may automatically be reduced. This is not a malfunction. This results from the engine control function maintaining the cooling performance of the vehicle. The engine and vehicle speed will return to a normal speed when the engine is able to maintain the optimum cooling performance after the heavy load decreases. Driving under a heavy load must be performed with extreme care. Do not try to pass a vehicle in front when driving on an uphill slope while towing.

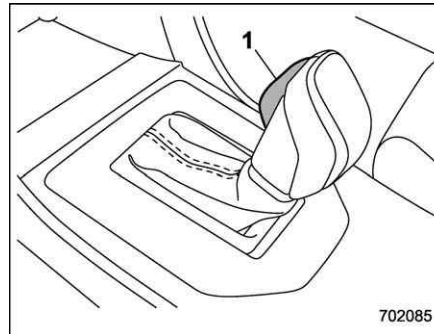
- The continuously variable transmission is a chain type system that provides superior transmission efficiency for maximum fuel economy. At times, depending on varying driving conditions, a chain operating sound may be heard that is characteristic of this type of system.

## ■ Select lever



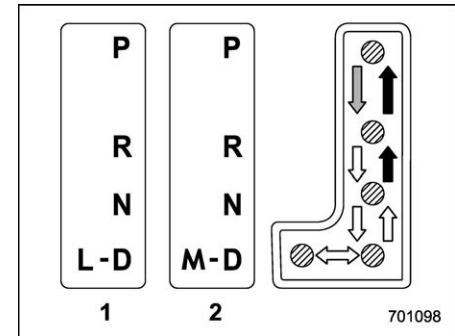
Type A

- 1) Select lever button



Type B

- 1) Select lever button



- 1) Models with "L" position
- 2) Models with manual mode

⇨ : With the brake pedal depressed, shift while pressing the select lever button in.

➡ : Shift while pressing the select lever button in.

⇨ : Shift without pressing the select lever button.

The select lever has four positions, "P", "R", "N", "D" and it also has an "L" or "M" gate.

## NOTE

For some models, to protect the engine while the select lever is in the "P" or "N" position, the engine is controlled so that the engine speed may not become too high even if the accelerator pedal is

depressed hard.

#### ▼ P (Park)

This position is for parking the vehicle and starting the engine. In this position, the transmission is mechanically locked to prevent the vehicle from rolling freely.

When you park the vehicle, first apply the parking brake firmly, then shift into the “P” position. Do not hold the vehicle with only the mechanical friction of the transmission.

To shift the select lever from the “P” position to any other position, you should depress the brake pedal fully then move the select lever. This prevents the vehicle from lurching when it is started.

#### ▼ R (Reverse)

This position is for backing the vehicle. To shift from the “N” to “R” position, stop the vehicle completely then move the lever to the “R” position while pressing the select lever button in.

When the ignition switch has been turned to the “ACC” position, the movement of the select lever from the “N” to “R” position is only possible by depressing the brake pedal. For details, refer to “Shift lock function” ⒻP335.

#### ▼ N (Neutral)

This position is for restarting a stalled engine. In this position, the transmission is neutral, meaning that the wheels and transmission are not locked. Therefore, the vehicle will roll freely, even on the slightest incline unless the parking brake or foot brake is applied.

Avoid coasting with the transmission in neutral. Engine braking has no effect in this condition.



#### WARNING

**Do not drive the vehicle with the select lever in the “N” (neutral) position. Engine braking has no effect in this condition and the risk of an accident is consequently increased.**

#### ▼ D (Drive)

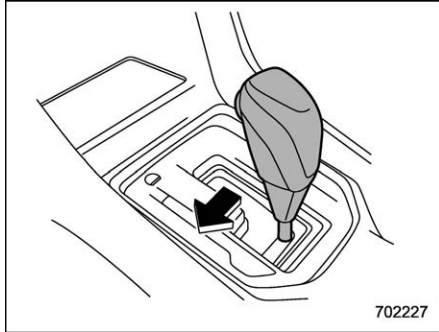
This position is for normal driving. The transmission shifts automatically and continuously into a suitable gear according to the vehicle speed and the acceleration you require. Also, while driving up and down a hill, the transmission assists and controls the driving performance and engine braking while corresponding to the road grade.

When more acceleration is required in the “D” position, depress the accelerator pedal fully to the floor and hold that position. The transmission will automatically downshift. In this case, the transmission will operate like a conventional automatic transmission. When you release the pedal, the transmission will return to the original gear position.

For models with manual mode, if one of the shift paddles behind the steering wheel is operated while driving in the “D” position, the transmission will temporarily switch to the manual mode. In this mode, you can shift into any gear position using the shift paddles. For details about the manual mode, refer to “Selection of manual mode” ⒻP333. Once the vehicle speed stabilizes, the transmission will switch from the manual mode back to the “D” position for normal driving.

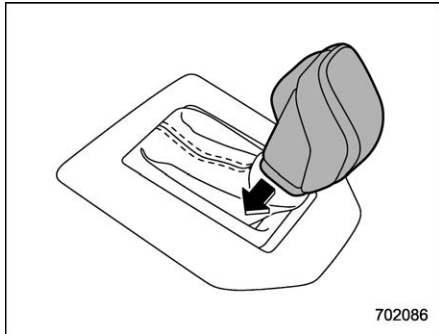


## ■ Selection of manual mode (if equipped)



702227

Type A

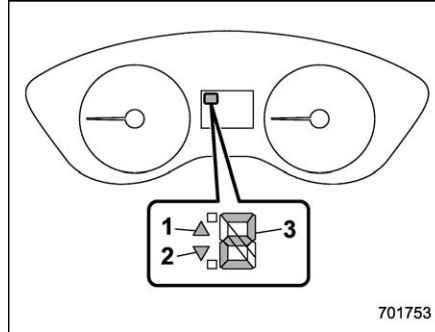


702086

Type B

With the vehicle either moving or stationary, move the select lever from the “D”

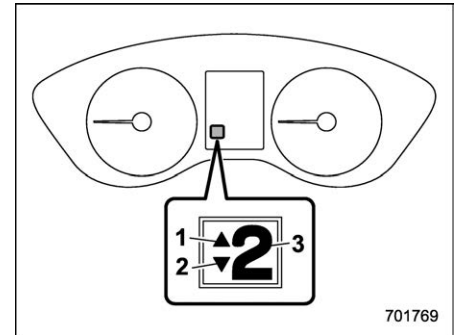
position to the “M” position to select the manual mode.



701753

### Select lever/gear position indicator (type A)

- 1) Upshift indicator
- 2) Downshift indicator
- 3) Gear position indicator



701769

### Select lever/gear position indicator (type B)

- 1) Upshift indicator
- 2) Downshift indicator
- 3) Gear position indicator

When the manual mode is selected, the gear position indicator and upshift indicator and/or downshift indicator on the combination meter illuminate.

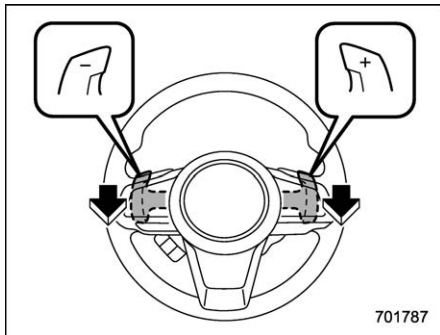
The gear position indicator shows the currently selected gear in the following range.

- 1st-to-7th-gear range (except for Subaru Forester Wilderness models)
- 1st-to-8th-gear range (for Subaru Forester Wilderness models)

The upshift and downshift indicators show when a gear shift is possible. When the

upshift indicator “▲” illuminates, upshifting is possible. When the downshift indicator “▼” illuminates, downshifting is possible. When both indicators illuminate, upshifting and downshifting are both possible. When the vehicle stops (for example, at traffic signals), the downshift indicator turns off.

Gearshifts can be performed using the shift paddle behind the steering wheel.



701787

To upshift to the next higher gear position, pull the shift paddle that has “+” indicated on it. To downshift to the next lower gear position, pull the shift paddle that has “-” indicated on it.

To deselect the manual mode, return the select lever to the “D” position from the “M” position.

**CAUTION**

**Do not place or hang anything on the shift paddles. Doing so may result in accidental gear shifting.**

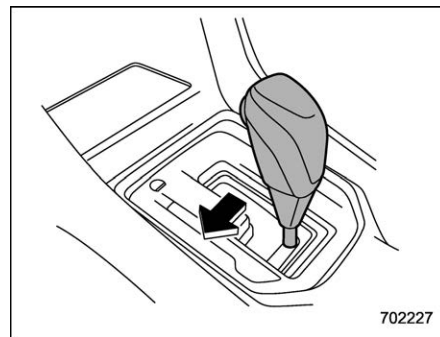
**NOTE**

Please read the following points carefully and bear them in mind when using the manual mode.

- If you attempt to shift down when the engine speed is too high, i.e., when a downshift would push the tachometer needle beyond the red zone, beeps will be emitted to warn you that the downshift is not possible.
- If you attempt to shift up when the vehicle speed is too low, the transmission will not respond.
- You can perform a skip-shift (for example, from 4th to 2nd) by operating the shift paddle twice in rapid succession.
- The transmission automatically selects 1st gear when the vehicle stops moving.
- If the temperature of the transmission fluid becomes too high, the “AT OIL TEMP” warning light on the combination meter will illuminate. Immediately stop the vehicle in a safe location

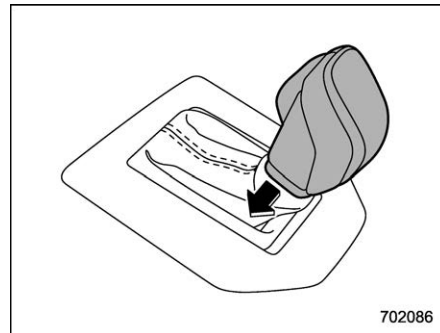
and let the engine idle until the warning light turns off.

**■ Selection of “L” (if equipped)**



702227

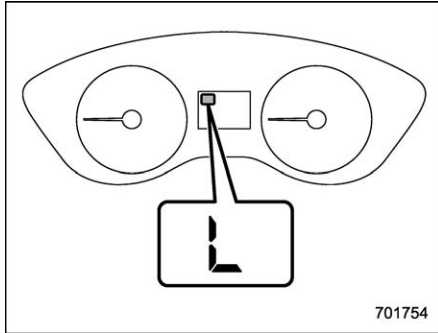
Type A



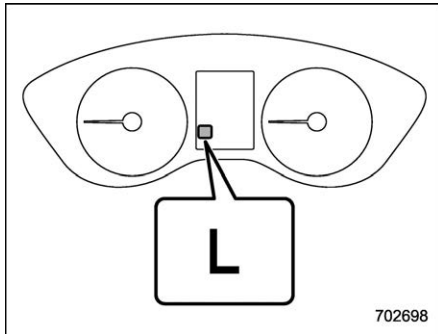
702086

Type B

“L” is for using engine braking when going down a hill, etc. To select this mode, move the select lever from the “D” position to the “L” position.



Type A



Type B

When selected, the indicator “L” will illuminate on the combination meter.

To deselect “L”, move the select lever to the “D” position.

### ■ Shift lock function

The shift lock function helps prevent the improper operation of the select lever.

- The select lever cannot be operated unless the ignition switch is turned to the “ON” position and the brake pedal is depressed.
- The select lever cannot be moved from the “P” position to any other position before the brake pedal is depressed. Depress the brake pedal first, and then operate the select lever.
- Only the “P” position allows you to turn the ignition switch from the “ACC” position to the “LOCK”/“OFF” position and remove the key from the ignition switch.
- If the ignition switch is turned to the “ACC” position while the select lever is in the “N” position, the select lever may not be moved to the “P” position without depressing the brake pedal and pressing the select lever button.

### ▼ Shift lock release

If the select lever cannot be operated, turn the ignition switch back to the “ON”

position then move the select lever to the “P” position with the select lever button pressed and the brake pedal depressed.

If the select lever does not move after performing the above procedure, check and confirm the following and release the shift lock accordingly.

- **When the select lever cannot be shifted from “P” to “N”:**

Refer to “Shift lock release using the shift lock release button” P336.

- **When the select lever cannot be shifted from “N” to “R”, “P”:**

Place the ignition switch in the “ACC” position, then move the select lever to the “P” position with the brake pedal depressed.

If the select lever still does not move, refer to “Shift lock release using the shift lock release button” P336.

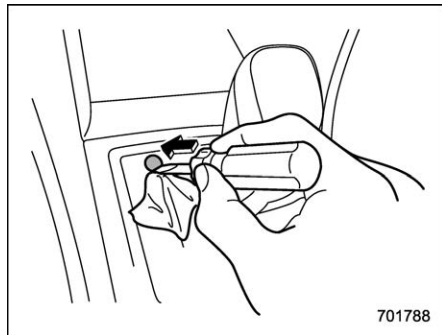
If the shift lock cannot be released without using the shift lock release button in the above cases, there may be a malfunction in the shift lock system or the vehicle control system.

Contact a SUBARU dealer for an inspection as soon as possible.

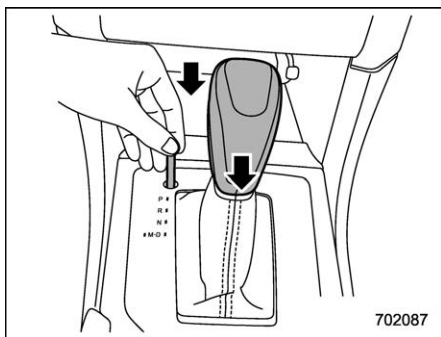
▼ **Shift lock release using the shift lock release button**

Perform the following procedure to release the shift lock.

1. Apply the parking brake and stop the engine.



2. Wrap the tip of a flat-head screwdriver with vinyl tape or a cloth and use it to remove the shift lock cover. The shift lock release button is located under the shift lock cover.



3. While depressing the brake pedal, insert a screwdriver into the hole, press the shift lock release button using a screwdriver, and then move the select lever.

If the select lever does not move after performing the above procedure, the shift lock system may be malfunctioning. Contact a SUBARU dealer for an inspection as soon as possible.

■ **Driving tips**

**CAUTION**

**If the accelerator and brake pedals are depressed at the same time, driving torque may be restrained. This is not a malfunction.**

- Always apply the foot or parking brake when the vehicle is stopped in the “D” or “R” position.
- Make sure to apply the parking brake when parking your vehicle. Do not hold the vehicle with only the mechanical friction of the transmission.
- Do not keep the vehicle in a stationary position on an uphill grade by using the “D” position. Use the brake instead.
- The engine may, on rare occasions, knock when the vehicle rapidly accelerates or rapidly pulls away from a standstill. This phenomenon does not indicate a malfunction.

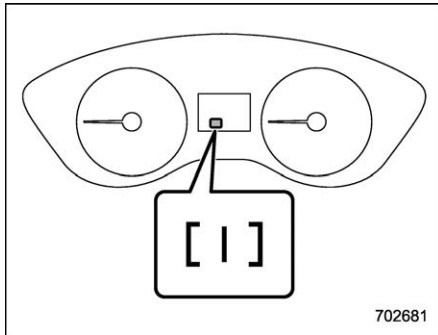
## 7-8. SI-DRIVE

SI-DRIVE (SUBARU Intelligent Drive) works to maximize engine performance, control and efficiency.

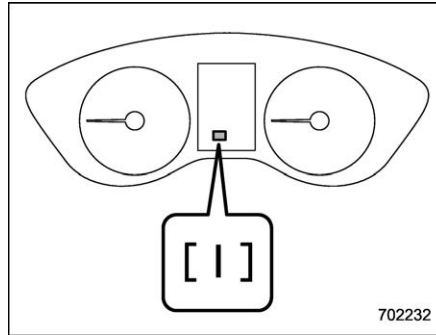
This system consists of two modes: Intelligent (I), Sport (S), and Sport Sharp (S#). By operating the SI-DRIVE switches, the character of the power unit changes.

### ■ Intelligent (I) mode

#### ▼ For smooth, efficient performance driving



Type A



Type B

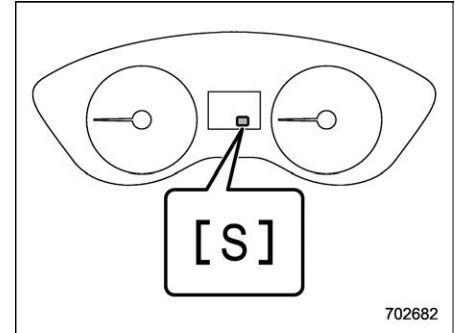
The linear acceleration characteristic of the Intelligent (I) mode is ideal for normal driving usage.

The Intelligent (I) mode provides well-balanced performance with greater fuel efficiency and smooth driveability without stress. Power delivery is moderate during acceleration for maximum fuel efficiency.

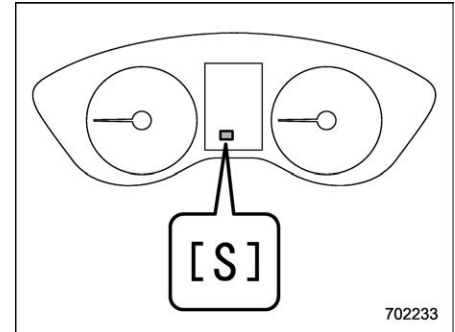
This is ideal for around-town driving and situations that do not require full power output. It provides better control in difficult driving conditions, such as slippery roads or loose surfaces, due to gentler throttle response.

### ■ Sport (S) mode (if equipped)

#### ▼ For all-around performance driving



Type A

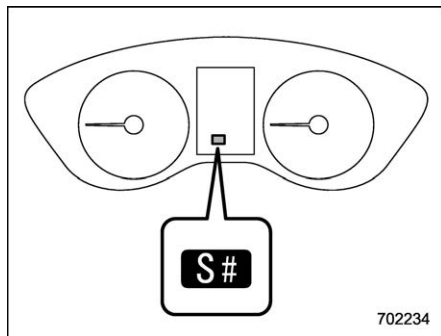


Type B

The Sport (S) mode provides the engine power desired by those who want to make the driving experience their own personal adventure.

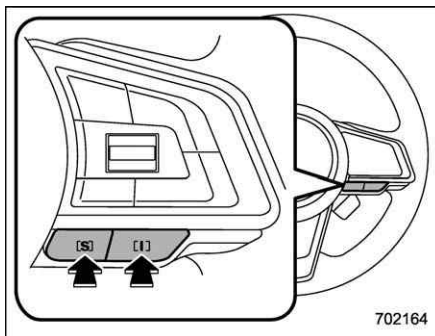
### ■ Sport Sharp (S#) mode (if equipped)

#### ▼ For maximum performance driving

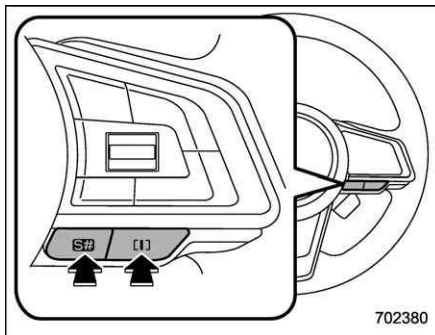


For sports-minded drivers, the Sport Sharp (S#) mode offers an exhilarating level of engine performance and control. The throttle becomes more responsive regardless of the engine speed. Delivering maximum driving enjoyment, this mode is ideal for tackling twisting roads and for merging or overtaking other vehicles on the freeway with confidence.

### ■ SI-DRIVE switches



Type A SI-DRIVE switches



Type B SI-DRIVE switches

- To select the Intelligent (I) mode, press the “I” switch.

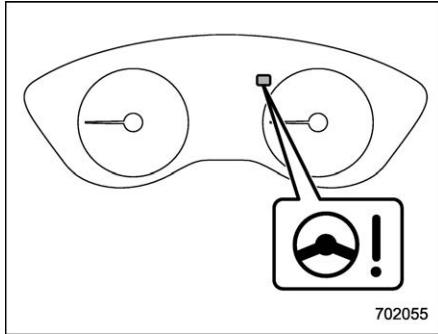
- To select the Sport (S) mode, press the “S” switch.
- To select the Sport Sharp (S#) mode, press the “S#” switch.

### NOTE

- While the engine is cool, you cannot change to Sport Sharp (S#) mode.
- The next time you turn on the engine, after you turned off the engine in the Sport (S) mode (type A) or Sport Sharp (S#) mode (type B), the SI-DRIVE mode changes to the Intelligent (I) mode.
- While the engine is running, if the CHECK ENGINE warning light/malfunction indicator light illuminates, the SI-DRIVE mode changes to the Sport (S) mode (type A) or Sport Sharp (S#) mode (type B). In this case, it is not possible to change to another mode.
- If any of the SI-DRIVE indicators blink, the SI-DRIVE system may be malfunctioning. Contact your SUBARU dealer.

## 7-9. Power steering

### ■ Power steering warning light



### ■ Power steering system features

The vehicle is equipped with an electric power steering system. When the ignition switch is turned to the "ON" position, the power steering warning light on the combination meter illuminates to inform the driver that the warning system is functioning properly. Then, if the engine started, the warning light turns off to inform the driver that the steering power assist is operational.

### ⚠ CAUTION

When the power steering warning light is illuminated, there may be more resistance when the steering wheel is operated. Drive carefully to the nearest SUBARU dealer and have the vehicle inspected immediately.

### NOTE

If the steering wheel is operated in the following ways, the power steering control system may temporarily limit the power assist in order to prevent the system components, such as the control computer and drive motor, from overheating.

- The steering wheel is operated frequently and turned sharply while the vehicle is maneuvered at extremely low speeds, such as while frequently turning the steering wheel during parallel parking.
- The steering wheel remains in the fully turned position for a long period of time.

At this time, there will be more resistance when steering. However, this is not a malfunction. Normal steering force will be restored after the steering

wheel is not operated for a while and the power steering control system has an opportunity to cool down. However, if the power steering is operated in a non-standard way which causes power assist limitation to occur too frequently, this may result in a malfunction of the power steering control system.

## 7-10. Braking

### ■ Braking tips

#### **WARNING**

**Never rest your foot on the brake pedal while driving. This can cause dangerous overheating of the brakes and needless wear on the brake pads.**

#### ▼ **When the brakes get wet**

When driving in rain or after washing the vehicle, the brakes may get wet. As a result, brake stopping distance will be longer. To dry the brakes, drive the vehicle at a safe speed while lightly depressing the brake pedal to heat up the brakes.

#### ▼ **Use of engine braking**

Remember to make use of engine braking in addition to foot braking. When descending a grade, if only the foot brake is used, the brakes may start working improperly because of brake fluid overheating, caused by overheated brake pads. To help prevent this, shift to a lower gear to get stronger engine braking.

#### ▼ **Braking when a tire is punctured**

Do not depress the brake pedal suddenly when a tire is punctured. This could cause

a loss of control of the vehicle. Keep driving straight ahead while gradually reducing speed. Then slowly pull off the road to a safe place.

### ■ Brake system

#### ▼ **Two separate circuits**

Your vehicle has two separate circuit brake systems. Each circuit works diagonally across the vehicle. If one circuit of the brake system should fail, the other half of the system still works. If one circuit fails, the brake pedal will go down much closer to the floor than usual and you will need to press it down much harder. A much longer distance will be needed to stop the vehicle.

#### ▼ **Vacuum brake booster (models with the vacuum brake booster)**

The vacuum brake booster uses an engine manifold vacuum and a vacuum pump to assist braking force. Do not turn off the engine while driving because that will turn off the vacuum brake booster, resulting in poor braking power.

The brakes will continue to work even when the vacuum brake booster completely stops functioning. If this happens, however, you will have to depress the pedal much harder than normal and the braking distance will increase.

#### ▽ **Supplemental booster function when vacuum pressure fails**

While the ignition switch is turned "ON" and the engine is running, the supplemental booster function operates when the brake booster performance is decreased due to insufficient vacuum boost.

When the brake pedal is depressed while the supplemental booster function is operating, an operation sound and brake pedal vibration may be generated. This is not a malfunction.

#### ▼ **Electronic brake booster (models with the electronic brake booster)**

The vehicle is equipped with an electronic brake booster to provide additional braking force. Do not turn off the ignition switch while driving because that will turn off the brake booster, resulting in poor braking power.

The brakes will continue to work even when the brake booster completely stops functioning. If this happens, you will have to depress the pedal much harder than during normal braking, and the braking distance will increase.

#### **NOTE**

**When the following operations are performed, an operating sound from the electronic brake boost control**



module may be heard. This is not a malfunction.

- The brake pedal was operated.
- The driver's door was opened.
- The EyeSight function was activated.
- Several minutes have passed after the engine stopped.

#### ▽ Supplemental booster function when electronic brake booster fails

If there is a malfunction in the braking system, the power for the braking will be stored by controlling the hydraulic pressure of the VDC system.

When the brake pedal is depressed while the supplemental booster function is operating, an operation sound and brake pedal vibration may be generated.

#### ▼ Brake assist system

### ⚠ WARNING

Do not be overconfident about the brake assist. It is not a system that brings more braking ability to the vehicle beyond its braking capability. Always use the utmost care when driving regarding vehicle speed and safe distance.

### ⚠ CAUTION

When you need to brake suddenly, continue depressing the brake pedal strongly to bring the effect of the brake assist.

Brake assist is a driver assistance system. It assists the brake power when the driver cannot depress the brake pedal strongly and the brake power is insufficient.

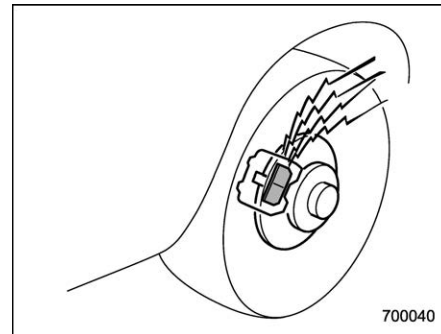
Brake assist generates the brake power according to the speed at which the driver depresses the brake pedal.

### NOTE

When you depress the brake pedal strongly or suddenly, the following will occur. However, even though these occur, they do not indicate any malfunctions, and the brake assist system is operating properly.

- You might feel that the brake pedal is applied by lighter force and generates a greater braking force.
- You might hear an ABS operating noise from the engine compartment.

## ■ Disc brake pad wear warning indicators



The disc brake pad wear warning indicators on the disc brakes give a warning noise when the brake pads are worn.

If a squeaking or scraping noise is heard from the disc brakes while braking, immediately have your vehicle checked by your SUBARU dealer.

## 7-11. ABS (Anti-lock Brake System)

The ABS prevents the lock-up of wheels which may occur during sudden braking or braking on slippery road surfaces. This helps prevent the loss of steering control and directional stability caused by wheel lock-up.

When the ABS is operating, you may hear a chattering noise or feel a slight vibration in the brake pedal. This is normal when the ABS operates.

The ABS will not operate when the vehicle speed is below approximately 6 mph (10 km/h).

### WARNING

**Always use the utmost care in driving – overconfidence because you are driving a vehicle with the ABS could easily lead to a serious accident.**

### CAUTION

- **The ABS does not always decrease stopping distance. You should always maintain a safe following distance from other vehicles.**
- **When driving on badly surfaced roads, gravel roads, icy roads, or over newly fallen snow, stopping distances may be longer for a vehicle with the ABS than one without. Therefore, when driving under these conditions, reduce your speed and leave ample distance from other vehicles.**
- **When tire chains are installed, stopping distances may be longer for a vehicle with the ABS than one without. Be sure to reduce your speed and maintain a safe distance from the vehicle in front.**
- **When you feel the ABS operating, you should maintain constant brake pedal pressure. Do not pump the brake pedal since doing so may defeat the operation of the ABS.**

### ■ ABS self-check

Just after the vehicle is started, you may feel on the brake pedal a vibration similar to when the ABS operates, and you may also hear the sound of the ABS working from the engine compartment. This is caused by an automatic functional test of the ABS being carried out and does not indicate a malfunction.

### ■ ABS warning light

Refer to “ABS warning light”  P177.

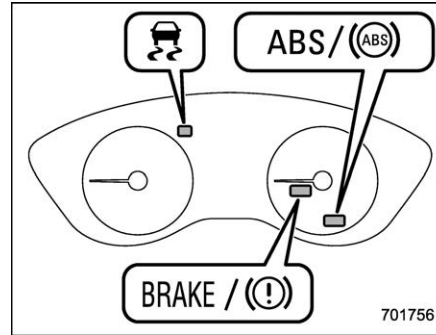
## 7-12. Electronic Brake Force Distribution (EBD) system

The EBD system maximizes the effectiveness of the brakes by allowing the rear brakes to supply a greater proportion of the braking force. It functions by adjusting the distribution of braking force to the rear wheels in accordance with the vehicle's loading condition and speed.

The EBD system is an integral part of the ABS and uses some of the ABS components to perform its function of optimizing the distribution of braking force. If any of the ABS components used by the EBD system malfunction, the EBD system also stops working.

When the EBD system is operating, you may hear a chattering noise or feel a slight vibration in the brake pedal. This is normal and does not indicate a malfunction.

### ■ If EBD system malfunctions



If a malfunction occurs in the EBD system, the system stops working and the following warning lights illuminate simultaneously.

- Brake system warning light
- ABS warning light
- Vehicle Dynamics Control warning light

If the both warning light remains on even though the parking brake is released, the brake fluid level may be low or there could be a problem with the EBD system. Park the vehicle in a safe place immediately and contact a Subaru dealer.

### ⚠ WARNING

- Driving with the brake system warning light illuminated is dangerous. This indicates your brake system may not be working properly. If the light remains illuminated, have the brakes inspected by a SUBARU dealer immediately.
- If at all in doubt about whether the brakes are operating properly, do not drive the vehicle. Have your vehicle towed to the nearest SUBARU dealer for repair.

## 7-13. Vehicle Dynamics Control system

### ■ Safety precautions

#### WARNING

Always use the utmost care in driving – overconfidence because you are driving a vehicle with the Vehicle Dynamics Control system could easily lead to a serious accident.

#### CAUTION

- Even if your vehicle is equipped with the Vehicle Dynamics Control system, winter tires should be used when driving on snow-covered or icy roads; in addition, vehicle speed should be reduced considerably. Simply having a Vehicle Dynamics Control system does not guarantee that the vehicle will be able to avoid accidents in any situation.
- Activation of the Vehicle Dynamics Control system is an indication that the road on which the vehicle is traveling has a slippery surface; since having

Vehicle Dynamics Control is no guarantee that full vehicle control will be maintained at all times and under all conditions, its activation should be seen as a sign that the speed of the vehicle should be reduced considerably.

- Whenever suspension components, steering components, or an axle are removed from a vehicle, have an inspection of that system performed by an authorized SUBARU dealer.
- The following precautions should be observed in order to ensure that the Vehicle Dynamics Control system is operating properly:
  - All four wheels should be fitted with tires of the same size, type, and brand. Furthermore, the amount of wear should be the same for all four tires.
  - Keep the tire pressure at the proper level as shown on the vehicle placard attached to the driver's side door pillar.
  - Use only the specified temporary spare tire to replace a flat tire. With a temporary spare tire, the effectiveness of the

Vehicle Dynamics Control system is reduced and this should be taken into account when driving the vehicle in such a condition.

- If non-matching tires are used, the Vehicle Dynamics Control system may not operate correctly.
- The Vehicle Dynamics Control system helps prevent unstable vehicle motion such as skidding using control of the brakes and engine power. Do not turn off the Vehicle Dynamics Control system unless it is absolutely necessary. If you must turn off the Vehicle Dynamics Control system, drive very carefully according to the road surface conditions.

## ■ System features

In the event of wheelspin and/or skidding on a slippery road surface and/or during cornering and/or an evasive maneuver, the Vehicle Dynamics Control system adjusts the engine's output and the wheels' respective braking forces to help maintain traction and directional control.

### ● Traction Control Function

The traction control function is designed to prevent spinning of the driving wheels on slippery road surfaces, thereby helping to maintain traction and directional control. Activation of this function is shown by flashing the Vehicle Dynamics Control operation indicator light.

### ● Skid Suppression Function

The skid suppression function is designed to help maintain directional stability by suppressing the wheels' tendency to slide sideways during steering operations. Activation of this function is shown by flashing the Vehicle Dynamics Control operation indicator light.

## NOTE

- The Vehicle Dynamics Control system may be considered normal when the following conditions occur.
  - Slight twitching of the brake

pedal is felt.

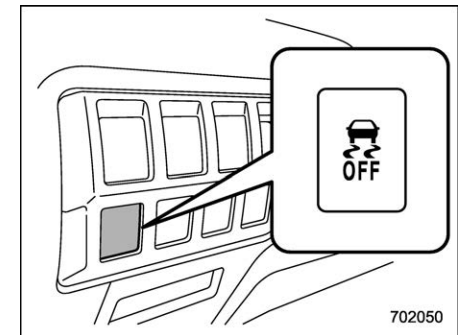
- The vehicle or steering wheel shakes to a small degree.
  - An operating sound from the engine compartment is heard briefly when starting the engine and when driving off after starting the engine.
  - The brake pedal seems to jolt when driving off after starting the engine.
- In the circumstances shown in the following list, the vehicle may be less stable than it feels to the driver. The Vehicle Dynamics Control system may therefore operate. Such operation does not indicate a system malfunction.
    - On gravel-covered or rutted roads
    - On unfinished roads
    - When the vehicle is towing a trailer
    - When the vehicle is fitted with snow tires or winter tires.
  - Activation of the Vehicle Dynamics Control system will cause operation of the steering wheel to feel slightly different compared to that for normal conditions.
  - It is always important to reduce speed when approaching a corner, even if your vehicle is equipped with the Vehicle Dynamics Control system.

- Always turn off the engine before replacing a tire. Failure to do so may render the Vehicle Dynamics Control system unable to operate correctly.

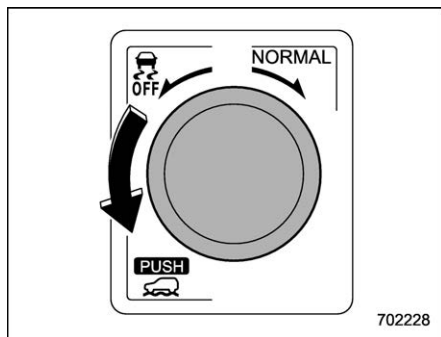
## ■ Vehicle Dynamics Control system monitor

Refer to "Vehicle Dynamics Control warning light/Vehicle Dynamics Control operation indicator light" ⒸP182 and "Vehicle Dynamics Control OFF indicator light" ⒸP183.

## ■ Vehicle Dynamics Control OFF switch



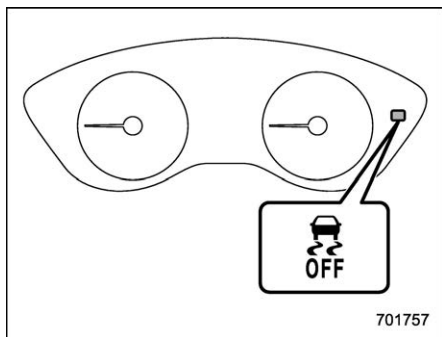
Type A



Type B

Press or turn the Vehicle Dynamics Control OFF switch to deactivate the Vehicle Dynamics Control system. Creating adequate driving wheel slip by deactivating the Vehicle Dynamics Control system may help to recover from the loss of traction. Use the Vehicle Dynamics Control OFF switch as necessary.

- A standing start on a steeply sloping road with a snowy, gravel-covered, or otherwise slippery surface
- Extrication of the vehicle when its wheels are stuck in mud or deep snow



When the switch is pressed or turned during engine operation, the Vehicle Dynamics Control OFF indicator light “OFF” on the combination meter illuminates. The Vehicle Dynamics Control system will be deactivated and the vehicle will behave like a model not equipped with the Vehicle Dynamics Control system. When the switch is pressed again (type A) or turned to the “NORMAL” side (type B) to reactivate the Vehicle Dynamics Control system, the Vehicle Dynamics Control OFF indicator light turns off.

With the Vehicle Dynamics Control system deactivated, traction and stability enhancement offered by the Vehicle Dynamics Control system is unavailable. Therefore, you should not deactivate the Vehicle Dynamics Control system except

under the above-mentioned situations.

## NOTE

- When the switch has been pressed (type A) or turned (type B) to deactivate the Vehicle Dynamics Control system, the Vehicle Dynamics Control system automatically reactivates itself the next time the ignition switch is turned to the “LOCK”/“OFF” position and the engine is restarted.
- If the switch is pressed (type A) or turned (type B) and held for 30 seconds or longer, the indicator light turns off, the Vehicle Dynamics Control system is activated, and the system ignores any further pressing of the switch. To make the switch usable again, turn the ignition switch to the “LOCK”/“OFF” position and restart the engine.
- When the switch is pressed (type A) or turned (type B) to deactivate the Vehicle Dynamics Control system, the vehicle’s running performance is comparable to that of a vehicle that does not have a Vehicle Dynamics Control system. Do not deactivate the Vehicle Dynamics Control system except when absolutely necessary.
- Even when the Vehicle Dynamics Control system is deactivated, components of the brake control system may still activate. When the brake control

system is activated, the Vehicle Dynamics Control operation indicator light flashes.

## 7-14. X-MODE (if equipped)

### WARNING

- Always use the utmost care in driving – overconfidence because you are driving a vehicle with X-MODE could easily lead to a serious accident.
- Always use the utmost care in driving – overconfidence because you are driving a vehicle with hill descent control function (if equipped) could easily lead to a serious accident. Be especially careful, and depress the brake pedal if necessary when driving on extremely steep downhill, frozen, muddy or sandy roads. Failure to control the vehicle's speed may cause a loss of control and result in a serious accident.

### CAUTION

- Even if your vehicle is equipped with X-MODE, winter tires should be used when driving on snow-covered or icy roads; in addition, vehicle speed should be reduced considerably. Simply having

X-MODE does not guarantee that the vehicle will be able to avoid accidents in any situation.

- Activate X-MODE when you encounter a very slippery surface at low speed. However, having X-MODE is no guarantee that full vehicle control will be maintained at all times and under all conditions. When activating X-MODE, the speed of the vehicle should be reduced considerably.
- Whenever suspension components, steering components, or an axle are removed from a vehicle, have the system inspected by an authorized SUBARU dealer.
- Observe the following precautions in order to ensure that X-MODE is operating properly:
  - All four wheels should be fitted with tires of the same size, type, and brand. Furthermore, the amount of wear should be the same for all four tires.
  - Keep the tire pressure at the proper level as shown on the label attached to the vehicle's door pillar.

- Use only the special temporary spare tire to replace a flat tire. With a normal temporary spare tire, the effectiveness of X-MODE is reduced and this should be taken into account when driving the vehicle in such a condition.
- **Models with hill descent control:** If the hill descent control function has operated continuously for a long time, the temperature of the brake disc may increase and the hill descent control function may be temporarily disabled. In this case, the hill descent control indicator will disappear. When the hill descent control indicator disappears, the hill descent control function is disabled.

X-MODE is the integrated control system of the engine, AWD and Vehicle Dynamics Control system, etc. for driving with bad road conditions. Using X-MODE, you can drive more comfortably even in slippery road conditions including uphill and downhill.

X-MODE has the following functions.

- **Hill descent control function (if equipped):**

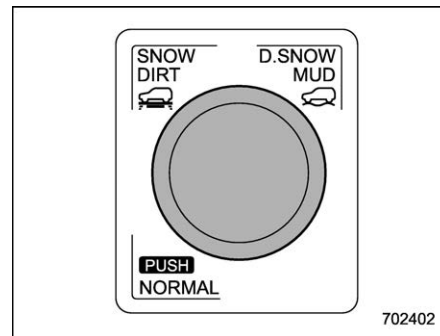
Using the hill descent control function, you can keep the vehicle at a consistent speed driving downhill. If the vehicle speed is likely to increase, the brake control system will be activated to adjust the vehicle speed.

- **Driving ability control:**

This mode increases the hill-climbing ability and driving ability as well as enabling smooth application of torque for easier control of the steering wheel.

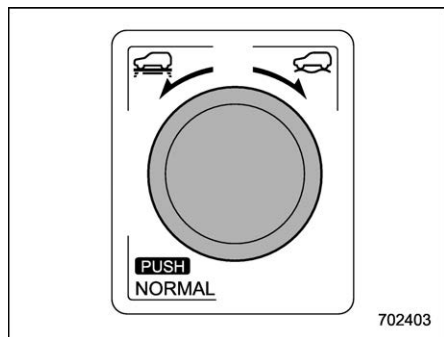
## ■ To activate/deactivate X-MODE

### ▼ X-MODE switch (models with 2 modes)



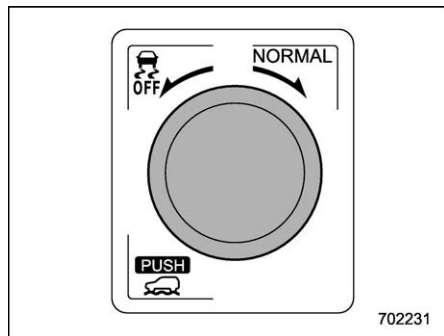
Type A



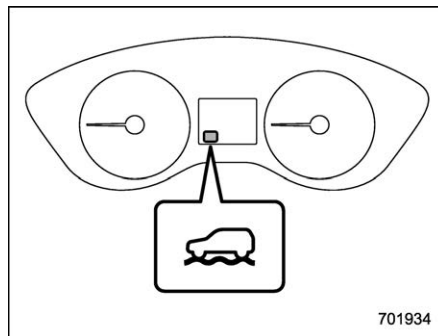


Type B

▼ X-MODE switch (models with 1 mode)

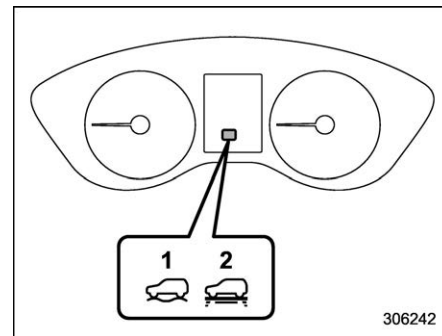


▼ Type A combination meter



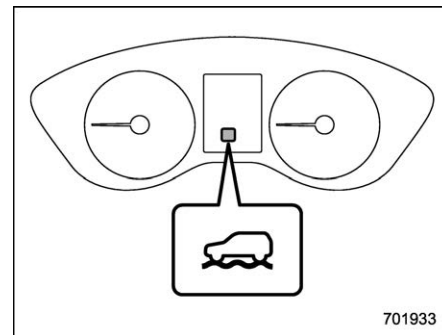
X-MODE indicator

▼ Type B combination meter



X-MODE indicator (models with 2 modes)

- 1) D.SNOW/MUD mode indicator
- 2) SNOW/DIRT mode indicator



X-MODE indicator (models with 1 mode)

## ▼ To activate

**Models with 2 modes**

Turn the X-MODE switch to the right or left and select SNOW/DIRT or D.SNOW/MUD. While X-MODE is activated, the X-MODE indicator appears.

**Models with 1 mode**

Press the X-MODE switch. While X-MODE is activated, the X-MODE indicator appears.

## ▼ To deactivate

Press the X-MODE switch. The X-MODE indicator will disappear when X-MODE is deactivated.

**NOTE**

- SNOW/DIRT is suitable for driving on a snow-covered road where the points of contact between the tires and road surface are visible, or for driving on an unpaved road.
- D.SNOW/MUD is suitable for driving on a road covered with deep snow where the points of contact between the tires and road surface are not visible, or for driving on a muddy road.
- Even if you try to activate X-MODE by turning (models with 2 modes) or pressing (models with 1 mode) the X-MODE switch when the vehicle speed is 12 mph (20 km/h) or more, X-MODE

will not be activated. At this time, a buzzer will sound twice.

- If the vehicle speed reaches 25 mph (40 km/h) or more while X-MODE is activated, a buzzer will sound once and X-MODE will be deactivated. X-MODE will automatically reactivate when the vehicle speed drops below 22 mph (35 km/h).
- While the engine is running, if any of the following conditions is met, X-MODE will be deactivated. In this case, it is not possible to activate X-MODE.
  - The CHECK ENGINE warning light/malfunction indicator light illuminates.
  - The AT OIL TEMP warning light flashes.
  - The ABS warning light illuminates.
  - The Vehicle Dynamics Control warning light illuminates.
- If the engine could overheat because of a temperature increase of the engine coolant, it may not be possible to activate X-MODE. Even while X-MODE is activated, X-MODE will be deactivated when the engine coolant temperature increases.
- For models with Auto Start Stop system, the system will be stopped

while X-MODE is activated.

**NOTE**

For models with SI-DRIVE:

- The SI-DRIVE mode will change to the Intelligent (I) mode when X-MODE is deactivated.
- The SI-DRIVE mode cannot be changed while X-MODE is activated. At this time, a buzzer will sound twice.
- While the engine is running, if any of the following conditions is met, X-MODE will be deactivated. In this case, it is not possible to activate X-MODE. Also, for models with SI-DRIVE, the mode will change to the Sport (S) mode or Sport Sharp (S#) mode and it will not be possible to change to the other modes.
  - The CHECK ENGINE warning light/malfunction indicator light illuminates.
  - The AT OIL TEMP warning light flashes.
  - The ABS warning light illuminates.
  - The Vehicle Dynamics Control warning light illuminates.
- If there is a possibility that the engine could overheat because of a temperature increase of the engine coolant, it is not possible to change to

**X-MODE.** While the vehicle is in X-MODE, it changes to the Sport (S) mode or Sport Sharp (S#) mode when the engine coolant temperature increases.

- It is not possible to activate X-MODE when the engine is not running, because the hill descent control function is not activated.
- When X-MODE automatically reactivates, the hill descent control function also reactivates.

### ■ Hill descent control function

The hill descent control function will be in standby mode when X-MODE is activated and the vehicle speed is less than approximately 12 mph (20 km/h).

The function will operate when the vehicle speed is less than approximately 12 mph (20 km/h) and the accelerator ratio is less than approximately 10%.

The function will turn off when the vehicle speed is more than approximately 12 mph (20 km/h) and the accelerator pedal is depressed.



**CAUTION**

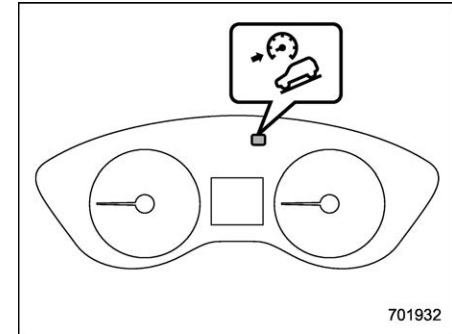
**The braking power of the hill descent control function may not be sufficient when strong braking**

power is needed (e.g., when towing a trailer).

### NOTE

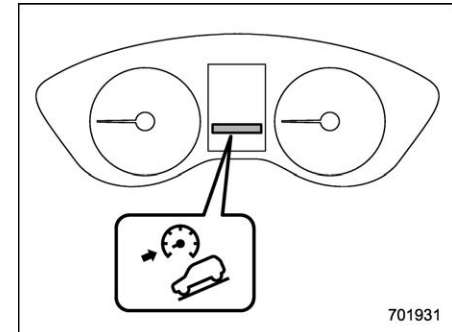
- Even while the hill descent control function is operating, you can vary the vehicle speed using the brake pedal or accelerator pedal.
- During braking by the hill descent control function, the hill descent control indicator will flash.
- The hill descent control function is operable regardless of the gradient of the road.
- The hill descent control function may be considered normal when the following conditions occur.
  - An operating sound is heard briefly from the engine compartment while the hill descent control function is operating.
  - The sensation of depressing the brake pedal is different, (harder than usual etc.) when the brake pedal is depressed during hill descent control function operation.

### ▼ Hill descent control indicator



701932

Hill descent control indicator (type A)



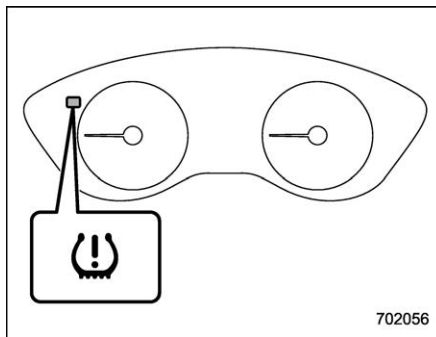
701931

Hill descent control indicator (type B)

This indicator appears while the hill descent control function is in the standby mode. It flashes while the function is

operating. It will disappear when the function is in the disabled mode. When this function is changed from operational to non-operational, it will disappear when the vehicle speed reaches more than approximately 18 mph (30 km/h).

### **7-15. Tire pressure monitoring system (TPMS) (U.S.-spec. models)**



#### **Low tire pressure warning light**

The tire pressure monitoring system provides the driver with a warning message when tire pressure is severely low.

The tire pressure monitoring system will activate only when the vehicle is driven at speeds above 20 mph (32 km/h). Also, this system may not react immediately to a sudden drop in tire pressure (for example, a blow-out caused by running over a sharp object).

#### **⚠ WARNING**

- If the low tire pressure warning light illuminates while driving, never brake suddenly. Instead, perform the following procedure. Otherwise, an accident involving serious vehicle damage and serious personal injury could occur.
  - (1) Keep driving straight ahead while gradually reducing speed.
  - (2) Slowly pull off the road to a safe location.
  - (3) Check the pressure for all four tires and adjust the pressure to the COLD tire pressure shown on the tire inflation pressure label. The tire inflation pressure label is located on the door pillar on the driver's side.

Even when the vehicle is driven a very short distance, the tires get warm and their pressures increase accordingly. Be sure to let the tires cool thoroughly before adjusting their pressures to the standard values shown on the tire inflation pressure label. Refer to "Tires and wheels" P483.

The tire pressure monitoring system does not function when the vehicle is stationary. After adjusting the tire pressures, increase the vehicle speed to at least 20 mph (32 km/h) to start the TPMS rechecking of the tire inflation pressures. If the tire pressures are now above the severe low pressure threshold, the low tire pressure warning light should turn off a few minutes later.

If this light still illuminates while driving after adjusting the tire pressure, a tire may have significant damage and a fast leak that causes the tire to lose air rapidly. If you have a flat tire, replace it with a spare tire as soon as possible.

- When a spare tire is mounted or a wheel rim is replaced without the original pressure sensor/transmitter being transferred, the low tire pressure warning light will illuminate steadily after blinking for approximately 1 minute. This indicates the TPMS is unable to monitor all four road wheels. Contact your SUBARU dealer as soon as possible for tire and sensor replacement and/or sys-

tem resetting.

- When a tire is repaired with liquid sealant, the tire pressure warning valve and transmitter may not operate properly. If a liquid sealant is used, contact your nearest SUBARU dealer or other qualified service shop as soon as possible. Make sure to replace the tire pressure warning valve and transmitter when replacing the tire. You may reuse the wheel if there is no damage to it and if the sealant residue is properly cleaned off. Do not inject any tire liquid or aerosol tire sealant into the tires, as this may cause a malfunction of the tire pressure sensors. If the light illuminates steadily after blinking for approximately 1 minute, promptly contact a SUBARU dealer to have the system inspected.



### CAUTION

Do not place metal film or any metal parts in the cargo area. This may cause poor reception of the signals from the tire pressure sensors, and the tire pressure monitoring system will not function properly.

### NOTE

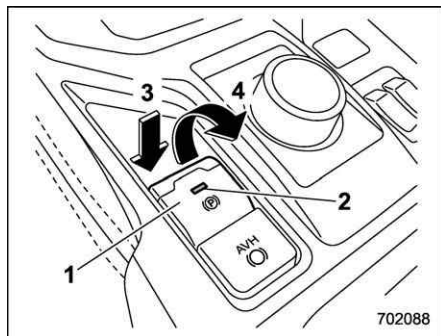
This device complies with part 15 of the FCC Rules. Operation is subject to the following two conditions: (1) This device may not cause harmful interference, and (2) this device must accept any interference received, including interference that may cause undesired operation.

### FCC CAUTION

Changes or modifications not expressly approved by the party responsible for compliance could void the user's authority to operate the equipment.

## 7-16. Parking your vehicle

### ■ Electronic parking brake



- 1) Parking brake switch
- 2) Indicator light
- 3) Release the electronic parking brake
- 4) Apply the electronic parking brake

### ⚠ WARNING

- Before exiting the vehicle, make sure that you turn off the engine. Otherwise, the parking brake may be released and an accident may occur.
- If the brake system warning light turns on, the electronic parking brake system may be malfunctioning. Immediately stop your

vehicle in a safe location, use tire stops under the tires to prevent the vehicle from moving and contact your SUBARU dealer.

- If you operate the electronic parking brake when the brake is overheated or the vehicle is on a steep slope, the electronic parking brake indicator light may flash. In this case, the vehicle may start to move and it may lead to an accident. Always use the tire stops.

### ⚠ CAUTION

- When the electronic parking brake system has a malfunction and the parking brake cannot be applied, contact your SUBARU dealer immediately for an inspection. If you have to park your vehicle in such conditions, perform the following procedure.
  - Stop your vehicle in a flat location.
  - Shift the select lever in the “P” position. When the select lever cannot be shifted into the “P” position, you must release shift lock. Refer to “Shift lock

function” ⒺP335.

- Use tire stops under the tires to prevent the vehicle from moving.
- Never drive with the parking brake applied. Doing so will cause unnecessary brake pad wear. Before driving off, always make sure that the parking brake has been released and the brake system warning light has turned off.

Your vehicle is equipped with an electronic parking brake. You can apply/release the parking brake by operating the parking brake switch.

**To apply:** Depress the brake pedal and pull up the parking brake switch.

**To release:** Press the parking brake switch firmly while the ignition switch is in the “ON” position and the brake pedal is depressed.

When the parking brake is applied while the ignition switch is in the “ON” position, the electronic parking brake indicator light and the indicator light on the parking brake switch illuminate. Refer to “Brake system warning light (red)” ⒺP178.

**NOTE**

- If you press the parking brake switch under the following conditions, the parking brake will not be released.
  - The ignition switch is in the “ACC” or “LOCK”/“OFF” position.
  - You are not depressing the brake pedal.
- The electronic parking brake system uses motors to apply the parking brake. Therefore, operating sounds from the motors will be heard when applying or releasing the parking brake. Make sure that the motor sounds are heard when applying or releasing the parking brake.
- If you operate the parking brake switch under the following conditions, a chirp will sound and the electronic parking brake indicator light will flash.
  - When the electronic parking brake system has a malfunction.
  - When the electronic parking brake operation is prohibited temporarily.
- When you cannot release the parking brake due to, for example, a system malfunction, contact your SUBARU dealer and have your SUBARU dealer release the parking brake.
- If you stop operating the electronic parking brake switch midway or oper-

ate extremely slowly, the system may detect an error and turn on the brake system warning light. However, this does not indicate a malfunction if the brake system warning light turns off after operating the switch.

- When the electronic parking brake has not been used for a long period of time, the electronic parking brake may operate automatically after the ignition switch is turned to the “LOCK”/“OFF” position. This occurs due to checking the proper operation of the electronic parking brake and does not indicate a malfunction.

- If you cannot release the electronic parking brake due to the switch malfunction, refer to the instructions described in “Automatic release function by accelerator pedal” P355.

After activating the electronic parking brake, you may hear a short sound several minutes after the electronic parking brake indicator light illuminates as the system confirms proper engagement. This sound is different from the apply and release sound.

This can occur:

- If the brakes are extremely hot.
- If the car is parked on a steep incline.
- If the electronic parking brake is

applied after the ignition switch is turned OFF.

This is a normal operating sound under any of these conditions.

- The Auto Start Stop system is deactivated while the electronic parking brake is applied.

- If you operate the electronic parking brake switch while the Auto Start Stop system is activated, the Auto Start Stop system will be deactivated. The electronic parking brake will activate after the engine is restarted. After the electronic parking brake indicator light is illuminated, release your foot from the brake pedal.

- When starting the engine or restarting the engine using the Auto Start Stop system, if you operate the electronic parking brake switch, the electronic parking brake indicator light may flash temporarily. However, this is not a malfunction if the light turns off after the electronic parking brake is deactivated.

▼ **Automatic release function by accelerator pedal**

The parking brake will be automatically released by depressing the accelerator pedal. However, the automatic release function does not operate under the

following conditions.

- Any door (other than the rear gate) is open.
- The driver's seatbelt is not fastened.

If the parking brake is automatically released, the electronic parking brake indicator light and the indicator light on the parking brake switch turn off.

#### ▼ Auto Vehicle Hold function

The Auto Vehicle Hold function will automatically keep the vehicle stopped even after releasing the brake pedal when the vehicle is at a complete stop, such as at traffic signals.

#### WARNING

- Do not use the Auto Vehicle Hold function on a steep hill or slippery road. The vehicle may move even when using the Auto Vehicle Hold function, causing serious injury or accidents.
- Do not use the Auto Vehicle Hold function to park the vehicle. The vehicle may move unexpectedly, causing serious injury or accidents. Make sure to shift the select lever to the "P" position and apply the electronic parking brake in the following cases.

- When you are going to park your vehicle.
- When passengers are getting in or out of the vehicle.
- When you are loading or unloading.
- When using the Auto Vehicle Hold function, do not release the brake pedal before the Auto Vehicle Hold operation indicator illuminates. The vehicle may move unexpectedly, causing serious injury or accidents.
- Deactivate the Auto Vehicle Hold function in the following cases. Otherwise, the vehicle may move unexpectedly, causing serious injury or accidents.
  - When washing your vehicle in an automatic car wash
  - When being towed

#### CAUTION

- When stopping on a steep slope with the Auto Vehicle Hold function turned on, the electronic parking brake may be automatically applied. Then the electronic parking brake indicator light will

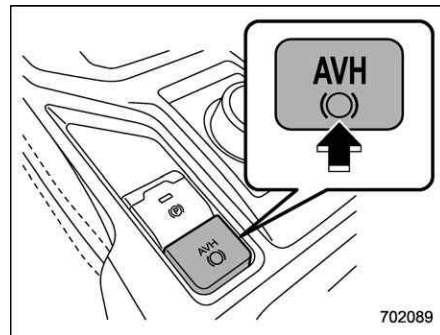
flash. In such a case, depress and hold the brake pedal while stopping. Otherwise, the vehicle may move.

- When being towed, turn off the Auto Vehicle Hold function.

#### NOTE

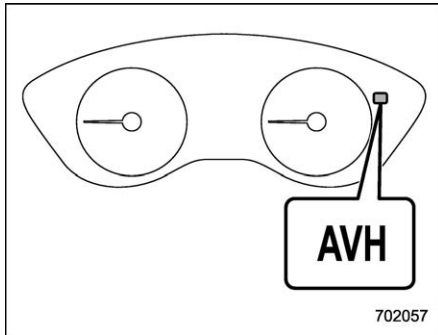
We recommend turning on the Auto Vehicle Hold function when stopping on an incline. If the Auto Vehicle Hold function is turned off, the vehicle may roll backward when driving off.

▽ To turn on/off the Auto Vehicle Hold function



Auto Vehicle Hold switch





Auto Vehicle Hold ON indicator light

**To turn on:**

Press the Auto Vehicle Hold switch when the Auto Vehicle Hold ON indicator light is OFF. Then the Auto Vehicle Hold ON indicator light will illuminate.

**To turn off:**

Press the Auto Vehicle Hold switch when the Auto Vehicle Hold ON indicator light illuminates. Then the Auto Vehicle Hold ON indicator light will turn off.

**NOTE**

● **When the electronic parking brake system has a malfunction while the Auto Vehicle Hold function is turned on, a chirp will sound, the Auto Vehicle Hold ON indicator light will turn off and**

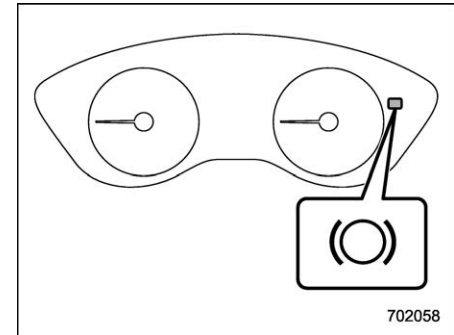
the brake system warning light will turn on.

- Every time when starting the engine, the Auto Vehicle Hold function will be set to “OFF”.
- If the Auto Vehicle Hold switch is pressed and held for more than 30 seconds, the Auto Vehicle Hold ON indicator light will turn off, and the system will ignore any further pressing of the switch. To activate the function again, restart the engine.
- When the Auto Vehicle Hold function is deactivated while the Auto Vehicle Hold function has a malfunction, if you press the Auto Vehicle Hold switch, a chirp will sound.

▽ **To operate the Auto Vehicle Hold function**

Stop the vehicle by depressing the brake pedal when all of the following conditions are met. Then the Auto Vehicle Hold function will operate.

- Driver’s door is closed.
- The driver’s seatbelt is fastened.
- The select lever is in a position other than the “P” position.



Auto Vehicle Hold operation indicator light

While the vehicle is kept stopped by the Auto Vehicle Hold function, the Auto Vehicle Hold operation indicator light will illuminate.

▽ **To release the Auto Vehicle Hold function**

Perform any of the following operations to release the Auto Vehicle Hold function.

- Depress the accelerator pedal.
- Depress the brake pedal again.
- Apply the electronic parking brake.
- Shift the select lever to the “P” position with the brake pedal pressed.
- Press the Auto Vehicle Hold switch with the brake pedal pressed (The Auto Vehicle Hold function turns off).

When the Auto Vehicle Hold function is released, the Auto Vehicle Hold operation indicator light will turn off.

Under any of the following conditions, the Auto Vehicle Hold function will be automatically released and the electronic parking brake will be automatically applied.

- The Auto Vehicle Hold function has been in operation for 10 minutes.
- The driver's seatbelt is unfastened.
- The ignition switch is turned to the "LOCK"/"OFF" position.
- The vehicle is stopped on a steep slope.
- The Auto Vehicle Hold function is malfunctioning.

In such cases, the Auto Vehicle Hold operation indicator light will turn off and the electronic parking brake indicator light will illuminate.

#### ▽ **Tips**

- When the electronic parking brake is automatically applied with the vehicle kept stopped by the Auto Vehicle Hold function, release the electronic parking brake by either of the following operations before starting off. Then make sure that the electronic parking brake indicator light is off.

- Depress the accelerator pedal with the driver's seatbelt fastened and with the doors closed.
- Press the electronic parking brake switch with the brake pedal depressed.
- Under certain conditions, including a malfunction of the Auto Vehicle Hold, a warning buzzer will sound and a warning message will appear on the combination meter display (color LCD). All warning messages should be strictly observed.
- On a steep slope, the vehicle cannot be kept stopped by the Auto Vehicle Hold function. In such a case, depress and hold the brake pedal.
- When stopping on a steep slope with the Auto Vehicle Hold function activated, the electronic parking brake may automatically applied after stopping, then the electronic parking brake indicator light may flash. In such a case, depress and hold the brake pedal while stopped. Otherwise, the vehicle may move. When getting out of the vehicle, stop the vehicle on a flat surface, then apply the electronic parking brake.
- If the Auto Vehicle Hold ON indicator light does not illuminate even after pressing the Auto Vehicle Hold switch with the operating conditions met, the function may have a malfunction. Contact your SUBARU dealer for an inspection.

- You may hear a sound while the Auto Vehicle Hold function is keeping your vehicle stopped. This is normal, and does not represent a malfunction.
- When you depress the brake pedal to release the Auto Vehicle Hold function, an operation sound or vibration may be generated, or the brake pedal may return slowly. This is not a malfunction.
- While the vehicle is kept stopped by the Auto Vehicle Hold function, the brake pedal may feel stiff. However, this is not a malfunction.
- When using the Auto Vehicle Hold function, depress the brake pedal firmly. Otherwise, the Auto Vehicle Hold may not operate.
- When the Auto Vehicle Hold switch is pressed and held for more than 30 seconds, the Auto Vehicle Hold ON indicator light will turn off and further operation of the switch will be ignored. To make the switch usable again, turn the ignition switch to the "LOCK"/"OFF" position and then turn it to the "ON" position.

#### ▼ **Emergency brake**

**CAUTION**

**Use the emergency brake only in case of an emergency. If the emergency brake is excessively used, the**

brake parts will wear down faster or the brake may not work sufficiently due to brake overheating.

**NOTE**

While using the emergency brake:

- The electronic parking brake indicator light and the indicator light on the parking brake switch illuminate and a chirp sounds.
- A sound may be heard from the engine compartment. This is the operating sound of the brake that is activated by the Vehicle Dynamics Control system, and does not indicate a malfunction.

If the foot brake has a malfunction, you can stop the vehicle by pulling the parking brake switch continuously.

While applying the emergency brake, the electronic parking brake indicator light and the indicator light on the parking brake switch illuminate and a chirp sounds.

▼ **Electronic parking brake system warning**



If the brake system warning light turns on, the electronic parking brake system may be malfunction-

ing. Immediately stop your vehicle in the nearest safe location and contact your SUBARU dealer.

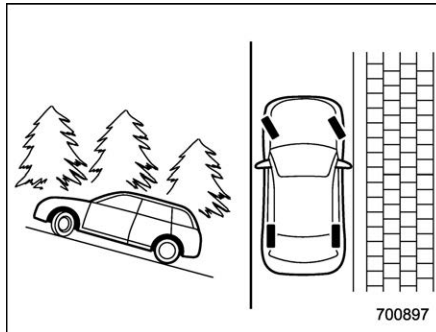
If a malfunction occurs in the electronic parking brake system, the brake system warning light turns on. Refer to “Electronic parking brake light” P179.

■ **Parking tips**

When parking your vehicle, always perform the following items.

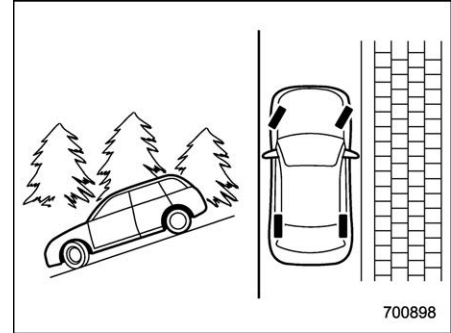
- Apply the parking brake firmly.
- Put the select lever in the “P” position.

Never rely on the mechanical friction of the transmission alone to hold the vehicle.



When parking on a hill, always turn the steering wheel. When the vehicle is

headed up the hill, the front wheels should be turned away from the curb.



When facing downhill, the front wheels should be turned into the curb.



- **Never leave unattended children or pets in the vehicle. They could accidentally injure themselves or others through inadvertent operation of the vehicle. Also, on hot or sunny days, the temperature in a closed vehicle could quickly become high enough to cause severe or possibly fatal injuries to people.**
- **Do not park the vehicle over flammable materials such as dry**

grass, waste paper or rags, as they may burn easily if they come near hot engine or exhaust system parts.

- Be sure to stop the engine if you take a nap in the vehicle. If engine exhaust gas enters the passenger compartment, occupants in the vehicle could die from carbon monoxide (CO) contained in the exhaust gas.



#### CAUTION

- If your vehicle has a bumper under guard (optional), pay attention to blocks and other obstructions on the ground when parking. The underspoiler could be damaged by contact with them.
- The braking power of the parking brake may not be sufficient when stronger braking power is needed (e.g., when parking on a steep slope while towing a trailer).

## 7-17. Auto Start Stop system

The Auto Start Stop system is designed to automatically stop and restart the engine when the vehicle is stationary for a short period of time (while waiting for a traffic light or in a traffic jam) after the engine has warmed up. The system operates in order to reduce fuel consumption, exhaust emissions and undesired idling noise.

### ■ System operation



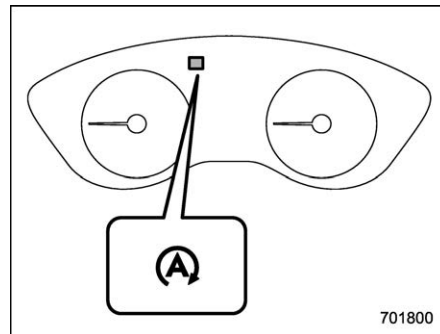
#### CAUTION

The Auto Start Stop system is designed to automatically stop and restart the engine for a short period of time during idling. Do not use the system when parking the vehicle normally.

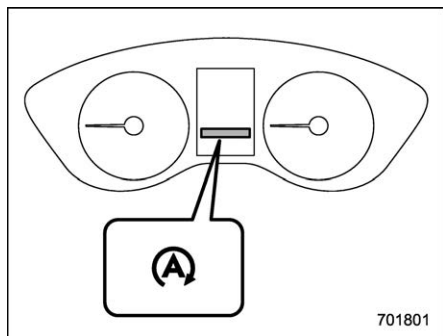
So that it can be used safely and comfortably, in addition to driver operations, the Auto Start Stop system is designed to constantly monitor the vehicle conditions as well as the environment inside and outside the vehicle, in order to control stopping and restarting of the engine.

After the vehicle has been completely stopped by depressing the brake pedal with the select lever in the “D” position, the

engine will be automatically stopped. If you release the brake pedal with the select lever kept in the “D” position, the engine will be automatically restarted. However, when the Auto Vehicle Hold ON indicator light illuminates, the engine will not restart.



Auto Start Stop indicator light (green)  
(type A)



Auto Start Stop indicator light (green)  
(type B)

If the engine is temporarily stopped by the system, the Auto Start Stop indicator light on the combination meter will illuminate in green. This indicator light will turn off when the system restarts the engine.

## NOTE

- After starting the engine, if the vehicle is left idling without being driven, the Auto Start Stop system will not operate.
- Your vehicle is equipped with a special high-performance battery. When replacing the vehicle battery, be sure to replace it with a genuine SUBARU battery (or equivalent) designed specifically for use in a vehicle

equipped with the Auto Start Stop system. For details, we recommend that you consult your SUBARU dealer.

## ▼ Operational conditions

The engine can be automatically stopped by the Auto Start Stop system when all of the following conditions are met.

- The engine is sufficiently warmed up.
- The engine hood is closed.
- The driver's door is closed.
- The driver's seatbelt is fastened.
- The malfunction indicator light (Check Engine light) is off.
- The airflow mode selection is set to a mode other than "WH" mode.
- The rear window defogger is not in use.
- X-MODE has been turned off (if equipped).

After the vehicle is stopped, the engine will be automatically stopped when the following conditions are met.

- The steering wheel is in the straight ahead position.
- The steering wheel is not being operated.

## NOTE

- After the vehicle is stopped, the engine may not automatically stop

under the following conditions.

- The vehicle is stopped on a road with a steep slope.
- The vehicle is stopped by hard braking.
- Negative pressure in the brake booster is not sufficient (models with the vacuum brake booster).
- After the vehicle is stopped, the engine may not automatically stop if the brake pedal is not fully depressed. Make sure to depress the brake pedal firmly when stopping the vehicle.
- In the following cases, it may take some time for the Auto Start Stop system to operate.
  - When the battery is discharged because the vehicle has not been used for a long period of time, etc.
  - The coolant temperature is low.
  - When the battery terminals have been reconnected after replacing the battery, etc.

## ▼ Non-operational conditions

In any of the following cases, the Auto Start Stop system will not operate.

- When the Auto Start Stop warning light/ Auto Start Stop OFF indicator light (yellow) is illuminating or flashing.
- When the malfunction indicator light (Check Engine light) is illuminating.

– CONTINUED –

- The electronic parking brake is applied.
- When the engine hood is opened.
- When the vehicle is at an altitude of more than approximately 10,000 ft (3,000 m).
- When the CVT fluid is not sufficiently warmed up.
- When the temperature of the CVT fluid is abnormally high.
- When the vehicle battery is not in good condition.
- When using the climate control system, the temperature difference between the setting temperature and the temperature inside the vehicle is significant.
- When using the climate control system, the amount of air flow is significant.

## NOTE


The Auto Start Stop system may not operate if the malfunction indicator light (Check Engine light) or other warning lights on the combination meter are illuminating or flashing.

### ▼ Engine restart operational conditions

In any one of the following cases, the engine will be automatically restarted even if the brake pedal is kept depressed.

- When slightly releasing the brake pedal

on road with a steep slope and the vehicle begins rolling

- When further depressing the brake pedal
- When depressing the accelerator pedal
- When you move the select lever to the “R” position.
- When turning the steering wheel
- When operating the electronic parking brake switch
- When activating X-MODE (if equipped)
- When the airflow mode selection set to “

### ▼ Engine restart non-operational conditions

To ensure safety, the engine will not be automatically restarted if the engine hood is opened when the Auto Start Stop system is in operation, even if the brake pedal is released. In this case, check the surrounding area and restart the engine by

normal operation.

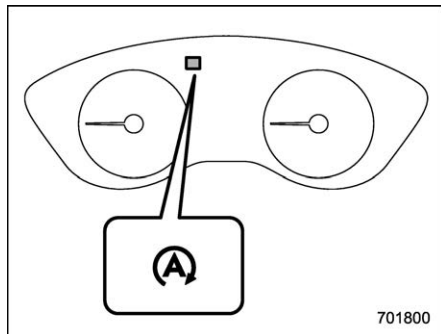
Also, when the Auto Vehicle Hold operation indicator light is illuminated, the engine will not restart.

## NOTE

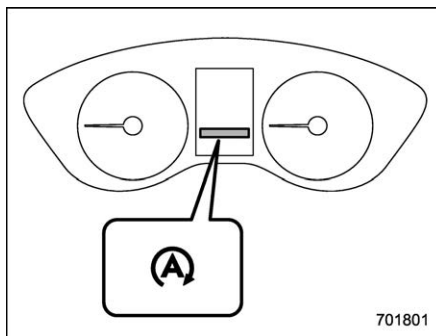
- When the Auto Start Stop system is in operation, the brake pedal may feel stiff. However, this is not a malfunction.
- In the following conditions, the engine will be automatically restarted even if you keep the brake pedal depressed.
  - When the battery is discharged.
  - When the negative pressure in the brake booster has lowered (models with the vacuum brake booster).
- In the following cases, the length of time that the engine is temporarily stopped by the Auto Start Stop system may be shorter.
  - When the climate control system is in operation.
  - When the outside temperature is high, or when it is low (because the climate control system can no longer maintain the set temperature).
  - When consumption of electricity by electrical components is high.
- When the engine is automatically restarted by the Auto Start Stop sys-

tem, the power provided via the accessory power outlet will be reduced. Depending on the connected appliance, the power of the appliance may temporarily turn off.

#### ▼ Auto Start Stop warning light



Auto Start Stop warning light (yellow) (type A)



Auto Start Stop warning light (yellow) (type B)

The Auto Start Stop warning light will illuminate in yellow when initially turning the ignition switch to the "ON" position. The light will turn off after the engine has started.

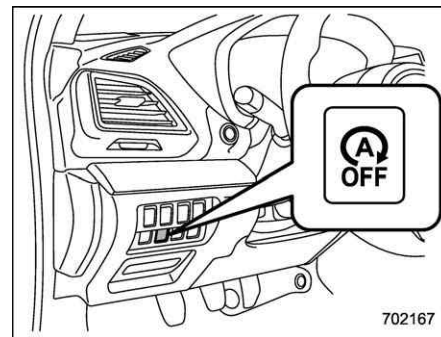
The Auto Start Stop warning light will flash when the Auto Start Stop system is malfunctioning. We recommend that you contact your authorized SUBARU dealer for an inspection.

#### CAUTION

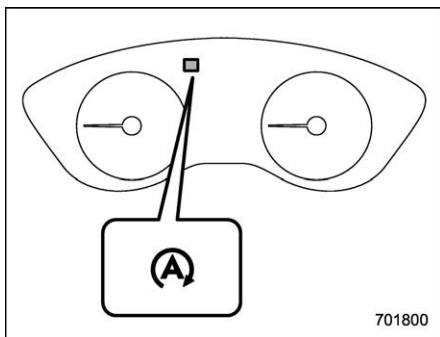
If the Auto Start Stop warning light does not turn off after the engine has started, the Auto Start Stop system may be malfunctioning. We recommend that you contact your author-

ized SUBARU dealer for an inspection.

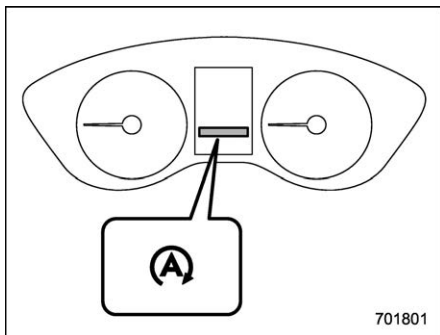
#### ▼ Auto Start Stop OFF switch



Auto Start Stop OFF switch



Auto Start Stop OFF indicator light (yellow) (type A)



Auto Start Stop OFF indicator light (yellow) (type B)

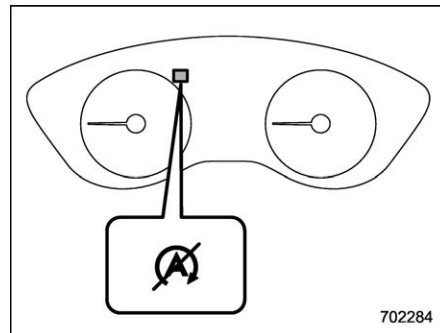
If the Auto Start Stop OFF switch is pressed, operation of the Auto Start Stop system will be disabled. The Auto Start Stop OFF indicator light on the combination meter will then illuminate in yellow. If the switch is pressed once more, the Auto Start Stop system will turn on again. The Auto Start Stop OFF indicator light will then turn off.

While the engine is temporarily stopped by the system, if the Auto Start Stop OFF switch is pressed, the engine will be restarted even if you do not release the brake pedal.

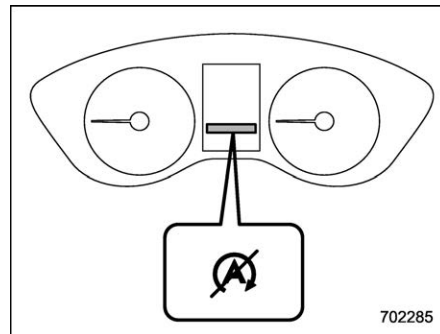
#### NOTE

- If the engine is restarted when the Auto Start Stop system is not operational and the ignition switch has been turned to the “LOCK”/“OFF” position, the Auto Start Stop system will turn on again.
- Be sure to turn the ignition switch to the “LOCK”/“OFF” position when leaving the vehicle. Failure to do so could result in the battery discharging.

#### ▼ Auto Start Stop No Activity Detected indicator light



Auto Start Stop No Activity Detected indicator light (type A)



Auto Start Stop No Activity Detected indicator light (type B)



If the operational conditions are not met when the vehicle is stopped, the engine will not stop and the Auto Start Stop No Activity Detected indicator light will illuminate. It will turn off when the vehicle begins to drive.

## ■ Displaying the Auto Start Stop system status

Approximate indications of the time that the engine has been stopped by the Auto Start Stop system and/or the amount of fuel saved can be displayed on the multi-function display (black and white) or combination meter display (color LCD). For details, refer to “Auto Start Stop time (models without combination meter display (color LCD))” P206 or “Basic screens” P198.

## ■ System warning

So that it can be used safely and comfortably, the Auto Start Stop system is designed to constantly monitor the vehicle conditions as well as the environment inside and outside the vehicle in addition to driver operations, and to provide various warnings to the driver via the warning light and/or indicator light illuminating or flashing and a buzzer sounding. For details about the warning light and indicator light, refer to “Auto Start Stop warning light/Auto

Start Stop OFF indicator light (yellow)” P191.

### ▼ Warning buzzer

The buzzer will sound when the engine hood is opened while the engine is stopped by the Auto Start Stop system. When this occurs, the buzzer will stop sounding when the following operations are performed.

- The engine is restarted by normal operation. (Refer to “Preparing to drive” P316.)
- The ignition switch is turned to the “LOCK”/“OFF” position.

### ▼ Display of warning messages (models with combination meter display (color LCD))

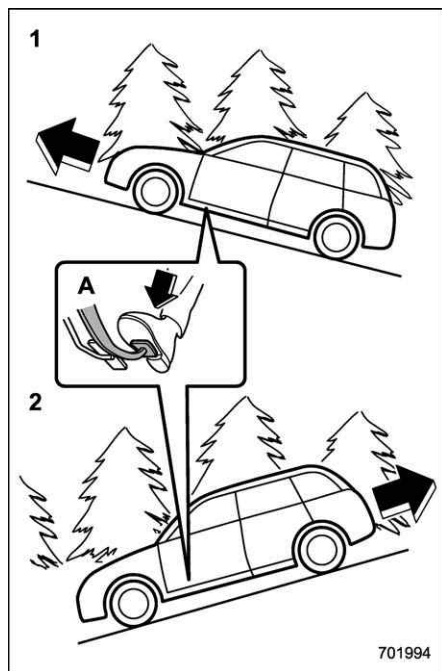
If a warning message is displayed on the combination meter display (color LCD) while driving, a malfunction may have occurred in the Auto Start Stop system. In this case, the Auto Start Stop warning light will illuminate or flash in yellow. We recommend that you have your vehicle inspected at a SUBARU dealer as soon as possible.

## 7-18. Hill start assist system

### WARNING

- The Hill start assist system is a device only for helping the driver to START the vehicle on an uphill grade. To prevent accidents when the vehicle is parked on a slope, be sure to firmly set the parking brake. When setting the parking brake, make sure that the vehicle remains stationary when the brake pedal is released.
- Do not turn the ignition switch to the “LOCK”/“OFF” position while the Hill start assist system is operating. The Hill start assist system will be deactivated and may lead to an accident.

The Hill start assist system is a device to make the following vehicle operations easier.



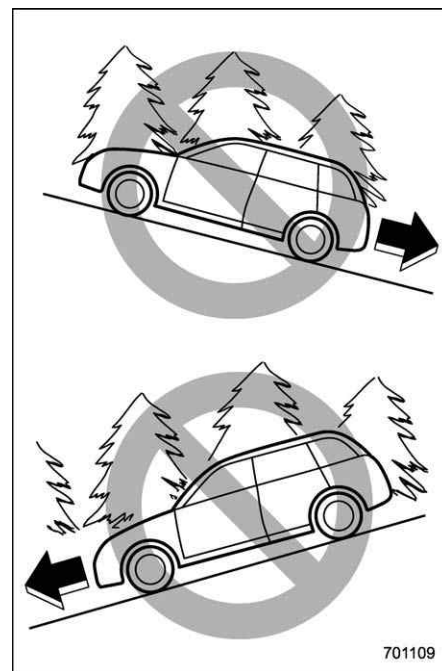
- 1) Starting forward facing uphill
- 2) Starting backward facing downhill
- A) Brake pedal

When the vehicle has stopped with the brake pedal depressed, the Hill start assist system operates.

Braking power is maintained temporarily (for approximately 2 seconds) by the Hill start assist system after the brake pedal is released. The driver is therefore able to start the vehicle in the same way as on a level grade, just using the accelerator pedal.

If the braking power of the Hill start assist system is insufficient after the brake pedal is released, apply more braking power by depressing the brake pedal again.

The Hill start assist system may not operate on slight grades. Also, the Hill start assist system does not operate in the following cases.



- When starting backward facing uphill
- When starting forward facing downhill
- While the parking brake is applied
- While the ignition switch is in the "ACC" or "LOCK"/"OFF" position

- While the Vehicle Dynamics Control warning light is illuminated. Refer to “Vehicle Dynamics Control warning light/Vehicle Dynamics Control operation indicator light” ⓄP182.
- While the Auto Start Stop warning light is illuminated. Refer to “Auto Start Stop warning light/Auto Start Stop OFF indicator light (yellow)” ⓄP191.

When using the Hill start assist system, a braking effect may be felt even after the brake pedal has been released.

### CAUTION

The braking power of the Hill start assist system may not be sufficient when strong braking power is needed (e.g., when towing a trailer).

### NOTE

A slight jolt may be felt when the vehicle begins to move forward after being reversed.

## 7-19. Cruise control (if equipped)

### NOTE

For models with the EyeSight system: Refer to the Owner's Manual supplement for the EyeSight system.

Cruise control enables you to maintain a constant vehicle speed without holding your foot on the accelerator pedal and it is operative when the vehicle speed is 20 mph (30 km/h) or more.

### WARNING

Do not use the cruise control under any of the following conditions. These may cause loss of vehicle control.

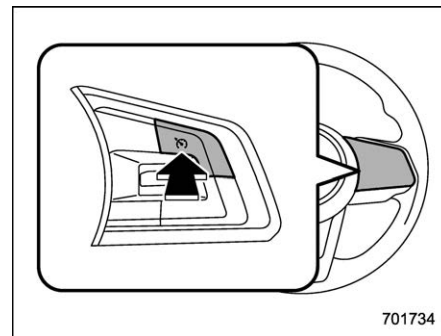
- Driving up or down a steep grade
- Driving on slippery or winding roads
- Driving in heavy traffic
- Towing a trailer

When using the cruise control, always set the speed appropriately according to the speed limit, traffic flow, road conditions, and other conditions.

### NOTE

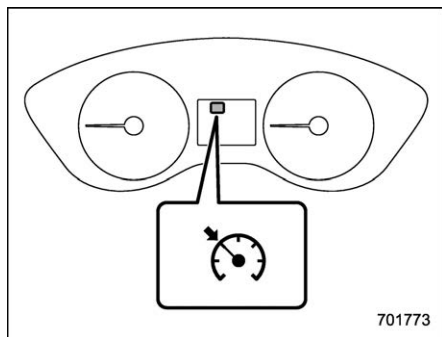
Make sure the cruise control system is turned off when the cruise control is not in use to avoid unintentionally setting of the cruise control.

### ■ To set cruise control



Cruise control main button

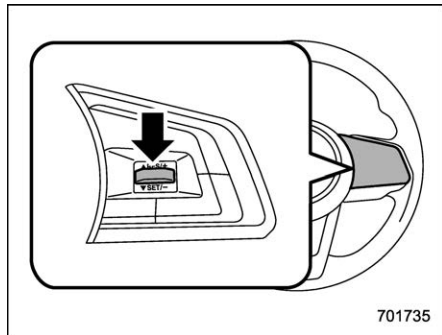
1. Press the cruise control main button.



701773

The cruise control indicator light on the combination meter will illuminate.

2. Depress the accelerator pedal until the vehicle reaches the desired speed.



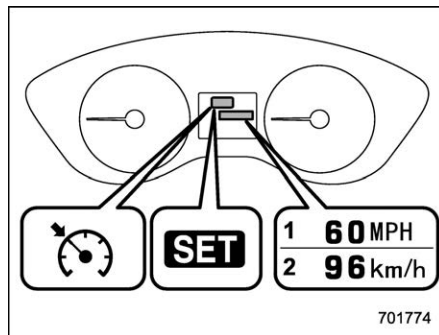
701735

3. Press the "RES/SET" switch to the "SET" side and release it. Then release the

accelerator pedal.

## NOTE

**When setting a cruise speed for the first time during a drive, both "SET" and "RES" may be used to set the initial cruise speed.**



701774

### Cruise control set indicator light

- 1) When setting the displayed unit as "MPH"
- 2) When setting the displayed unit as "km/h"

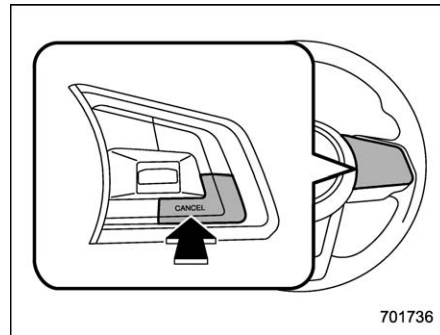
At this time, the cruise control set indicator light is illuminated in the combination meter. The set speed will be shown on the combination meter. You can change the displayed unit by operating the combination meter display. For meter details, refer to "Combination meter settings" [P167](#).

The vehicle will maintain the desired speed.

Vehicle speed can be temporarily increased while driving with the cruise control activated. Simply depress the accelerator pedal to accelerate the vehicle. When the accelerator pedal is released, the vehicle will return to and maintain the previous cruising speed.

## ■ To temporarily cancel the cruise control

The cruise control can be temporarily canceled in the following ways.



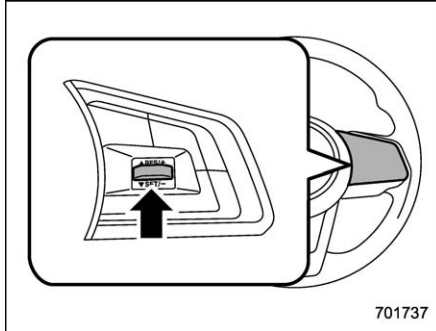
701736

- Press the "CANCEL" button.
- Press the X-MODE switch to activate X-MODE.
- Depress the brake pedal.

**WARNING**

You can cancel the cruise control by shifting the select lever into the “N” position. However, do not shift the lever into the “N” position while driving except in case of emergency. If the select lever is shifted into the “N” position, the engine brake will no longer work. This could result in an accident.

The cruise control set indicator light in the combination meter turns off when the cruise control is canceled.



To resume the cruise control after it has been temporarily canceled and with vehicle speed of approximately 20 mph (30 km/h) or more, press the “RES/SET” switch

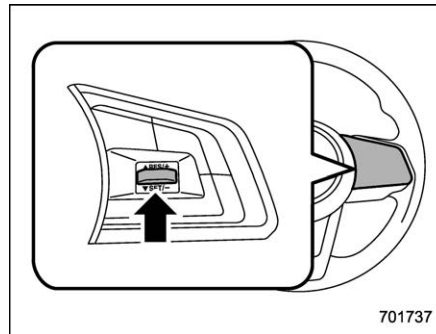
switch to the “RES” side to return to the original cruising speed automatically.

The cruise control set indicator light in the combination meter will automatically illuminate at this time.

**■ To turn off the cruise control**

There are two ways to turn off the cruise control:

- Press the cruise control main button again.
- Turn the ignition switch to the “ACC” or “LOCK”/“OFF” position (but only when the vehicle is completely stopped).

**■ To change the cruising speed****▼ To increase the speed (by the “RES/SET” switch)**

Press the “RES/SET” switch to the “RES” side and hold it until the vehicle reaches the desired speed. Then, release the switch. The vehicle speed at that moment will be memorized and treated as the new set speed.

**When setting the displayed unit as “MPH”:**

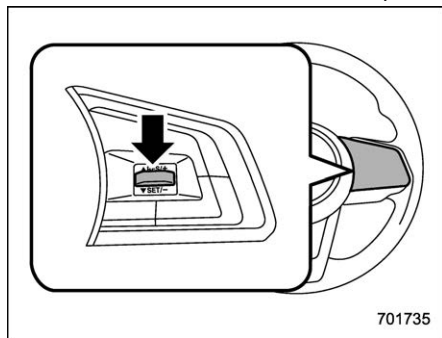
The set speed can be increased 1 mph (1.6 km/h) each time by pressing the “RES/SET” switch to the “RES” side.

**When setting the displayed unit as “km/h”:**

The set speed can be increased 1 km/h each time by pressing the “RES/SET” switch to the “RES” side.

▼ To increase the speed (by accelerator pedal)

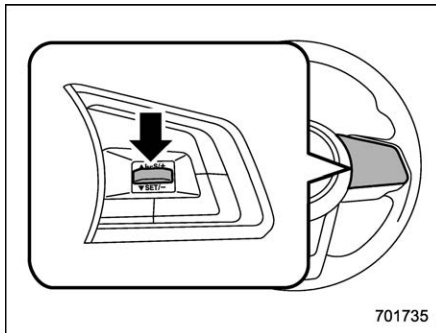
1. Depress the accelerator pedal to accelerate the vehicle to the desired speed.



701735

2. Press the “RES/SET” switch to the “SET” side once. Now the desired speed is set and the vehicle will keep running at that speed without depressing the accelerator pedal.

▼ To decrease the speed (by the “RES/SET” switch)



701735

Press the “RES/SET” switch to the “SET” side and hold it until the vehicle reaches the desired speed. Then, release the switch. The vehicle speed at that moment will be memorized and treated as the new set speed.

**When setting the displayed unit as “MPH”:**

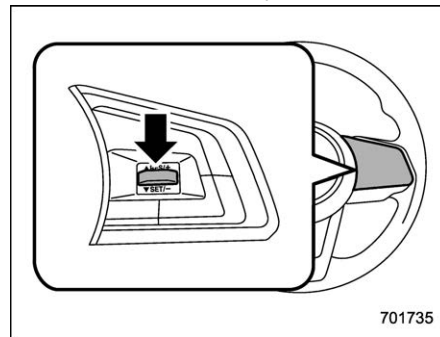
The set speed can be decreased 1 mph (1.6 km/h) each time by pressing the “RES/SET” switch to the “SET” side.

**When setting the displayed unit as “km/h”:**

The set speed can be decreased 1 km/h each time by pressing the “RES/SET” switch to the “SET” side.

▼ To decrease the speed (by brake pedal)

1. Depress the brake pedal to release cruise control temporarily.



701735

2. When the speed decreases to the desired speed, press the “RES/SET” switch to the “SET” side once. Now the desired speed is set and the vehicle will keep running at that speed without depressing the accelerator pedal.

■ **Cruise control indicator light**

Refer to “Cruise control indicator light”  
 ⌘P190.

■ **Cruise control set indicator light**

Refer to “Cruise control set indicator light”  
 ⌘P191.

**7-20. BSD/RCTA (if equipped)**

The BSD/RCTA consists of rear corner radars with Blind Spot Detection and Rear Cross Traffic Alert.

These functions enable the system to detect objects or vehicles to the rear, drawing attention to the driver when changing a lane or when driving in reverse.



**The driver is responsible for driving safely. Always be sure to check the surroundings when changing lanes or reversing the vehicle.**

**The system is designed to assist the driver to change lanes or reverse safely by monitoring the rear and side areas of the vehicle. However, you cannot rely on this system alone in assuring the safety during a lane change or reversing. Overconfidence in this system could result in an accident and lead to serious injury or death. Since the system operation has various limitations, the flashing or illumination of the BSD/RCTA approach indicator light may be delayed or it may not operate at all even when a vehicle is present**

**in a neighboring lane or approaching from either side.**  
**The driver is responsible for paying attention to the rear and side areas of the vehicle.**

■ **System features**

BSD/RCTA consists of the following functions.

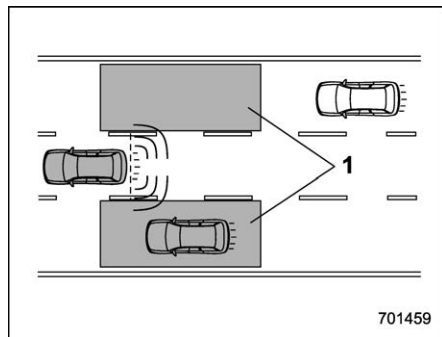
- To detect a vehicle in a blind spot on an adjacent lane or a vehicle approaching at high speeds (Blind Spot Detection).
- To detect a vehicle approaching from the right or left while reversing the vehicle (Rear Cross Traffic Alert).

The system uses radar sensors for the above functions.

**NOTE**

**The BSD/RCTA radar sensor has been certified by the radio wave related laws of the U.S. , Canada and Mexico. When driving in other countries, certification of the country where the vehicle is driven must be obtained. For certification in the U.S. , Canada and Mexico, refer to “Certification for the BSD/RCTA” ⌘P378.**

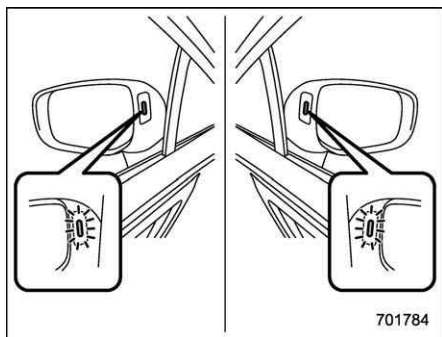
### ▼ Blind Spot Detection (BSD)



1) Operating range

The system warns the driver of dangers as follows.

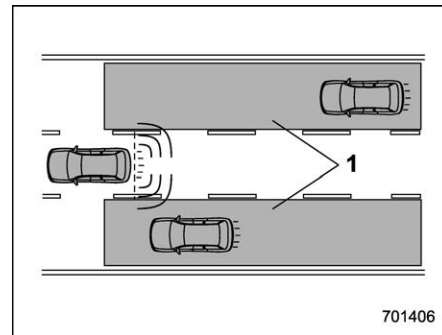
- If the system detects a vehicle in the blind spot, the BSD/RCTA approach indicator light(s) on the outside mirror(s) will illuminate.



#### BSD/RCTA approach indicator light

- If the driver operates the turn signal lever in the direction which the BSD/RCTA approach indicator light is illuminating, the corresponding BSD/RCTA approach indicator light will flash.

### ▽ Lane Change Assist (LCA)



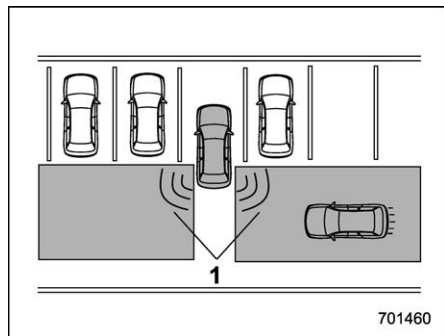
1) Operating range

The system warns the driver of dangers as follows.

- If the system detects a vehicle approaching at a high speed in the neighboring lanes, the BSD/RCTA approach indicator light(s) on the outside mirror(s) will illuminate.
- If the driver operates the turn signal lever in the direction which the BSD/RCTA approach indicator light is illuminating, the corresponding BSD/RCTA approach indicator light will flash.



▼ Rear Cross Traffic Alert (RCTA)



1) Operating range

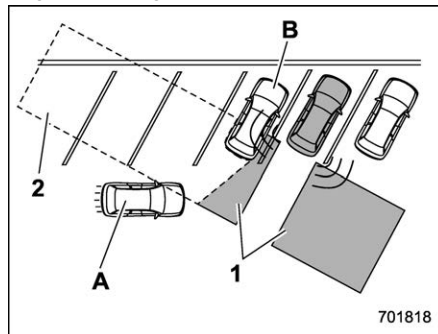
The system notifies the driver of another vehicle approaching from either side when driving in reverse. This feature helps the driver check the rear and side areas of the vehicle when moving backward.

If the system detects a vehicle approaching from either side while moving backward, it warns the driver of dangers in the following way.

- The BSD/RCTA approach indicator light(s) on the outside mirror(s) flashes.
- A warning buzzer sounds.
- An icon appears on the rear view camera screen (audio/navigation monitor)

▽ Limitations of the detectability of RCTA

Since the detectability of RCTA is limited, the RCTA may not operate properly in angled parking.



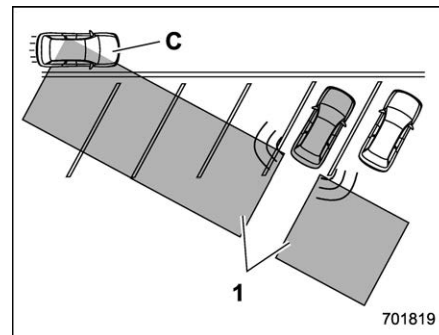
**Example 1**

- 1) The detection range of the radar sensors
  - 2) Area out of detection range of the radar sensors
- A) Vehicle that may not be detected.  
B) Parked vehicle

**WARNING**

**An approaching vehicle (A) may not be detected because the detection range is limited by the parked vehicle (B). Always be sure to check the surroundings when reversing the**

vehicle.



**Example 2**

- 1) The detection range of the radar sensors
- C) Vehicle that may be detected.

**NOTE**

**The system may detect that a vehicle (C) is passing in front of your vehicle. Always be sure to check the surroundings when reversing the vehicle.**

## ■ System operation

### ▼ Operating conditions

The BSD/RCTA will operate when all of the following conditions are met.

- The ignition switch is in the “ON” position.
- The BSD/RCTA warning light and BSD/RCTA OFF indicator light are turned off.
- The EyeSight warning indicator is off.
- The vehicle is driven at speeds above 7 mph (12 km/h) (except when reversing).
- The select lever is in the “R” position (when reversing).

The BSD/RCTA will not operate in the following situations.

- The BSD/RCTA OFF indicator light is on.
- The vehicle speed is below 6 mph (10 km/h) even when the BSD/RCTA OFF indicator light remains off (except when reversing).

### NOTE

- In the following case, the BSD/RCTA will stop operating and the BSD/RCTA warning light will appear. If the BSD/RCTA warning light appears, have your vehicle inspected at a SUBARU dealer as soon as possible.
  - When a malfunction occurs in the

system, including the BSD/RCTA approach indicator light.

- In the following cases, the BSD/RCTA will temporarily stop operating (or may stop operating) and the BSD/RCTA OFF indicator light will appear.
  - When the radar sensor becomes significantly misaligned (If the orientation of the radar sensor is shifted for any reason, readjustment is required. Have the sensor adjusted at a SUBARU dealer.)
  - When a large amount of snow or ice sticks to the rear bumper surface around the radar sensors.
  - When the vehicle is driven on a snow-covered road or in an environment in which there are no objects around (such as in a desert) for a long time.
  - When the temperature around the radar sensors increased excessively due to long driving on uphill grades in summer, etc.
  - When the temperature around the radar sensors becomes extremely low.
  - When the vehicle battery voltage lowers.
  - When an overvoltage occurs in the vehicle battery.

When the above conditions are corrected, the BSD/RCTA will resume operation and the BSD/RCTA OFF indicator light will disappear. However, if the BSD/RCTA OFF indicator light has appeared for a prolonged time, have the system inspected at a SUBARU dealer as soon as possible.

- The detectability of the radar sensors is restricted. The BSD/RCTA detection may be impaired and the system may not operate properly under the following conditions.
  - When the rear bumper around the radar sensors is distorted.
  - When ice, snow or mud adheres to the rear bumper surface around the radar sensors.
  - When stickers, etc. are affixed on the areas of the radar sensors on the rear bumper.
  - During adverse weather conditions such as rain, snow or fog
  - When driving on wet roads such as snow-covered roads or through puddles
- The radar sensors may not detect or may have difficulty detecting the following.
  - Small motorcycles, bicycles, pedestrians, stationary objects on the road or road side, etc.

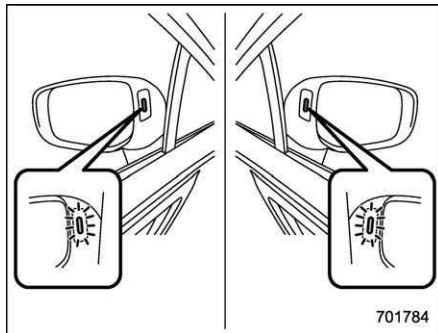
- Vehicles with body shapes that the radar may not reflect (vehicles with a low body height such as sports cars or a trailer with no cargo).
- Vehicles that are not approaching your vehicle even though they are in the detection area (either on a neighboring lane to the rear or beside your vehicle when reversing). (The system determines the presence of approaching vehicles based on data detected by the radar sensors.)
- Vehicles traveling at significantly different speeds
- Vehicles driving parallel to your vehicle at almost the same speed for a prolonged time
- Oncoming vehicles
- Vehicles in a lane beyond the neighboring lane
- Vehicles travelling at a significantly lower speed that you are trying to overtake
- On a road with extremely narrow lanes, the system may detect vehicles driving in a lane next to the neighboring lane.
- When the 8-inch audio/navigation system is performing a software update, the RCTA warning icons may not

be displayed on the audio/navigation screen until the update is complete.

### ■ BSD/RCTA approach indicator light/warning buzzer

When the BSD/RCTA is active, the BSD/RCTA approach indicator light will operate to alert the driver when there are vehicles in the neighboring lanes. When reversing the vehicle, the BSD/RCTA approach indicator light and warning buzzer will operate to alert the driver that a vehicle is approaching from the left or right side.

#### ▼ BSD/RCTA approach indicator light



BSD/RCTA approach indicator light

It is mounted in each side of the outside mirrors.

The indicator light will illuminate when a

vehicle approaching from behind is detected.

The indicator light will flash to warn the driver of dangers under the following conditions.

- While the indicator light illuminates, if you operate the turn signal lever toward the side in which this light turned on.
- When reversing the vehicle while the system detects a vehicle approaching from either side.

#### ▽ BSD/RCTA approach indicator light dimming function

When the headlights are turned on, the brightness of the BSD/RCTA approach indicator light will be reduced.

### NOTE

- You may have difficulty recognizing the BSD/RCTA approach indicator light under the following conditions.
  - When affected by direct sunlight
  - When affected by the headlight beams from the vehicles behind
- While the illumination brightness control dial is in the fully upward position, even if the headlights are turned on, the brightness of the BSD/RCTA approach indicator light will not be reduced. For details about the illumination brightness control dial,

- CONTINUED -

refer to “Illumination brightness control” P168.

▼ **BSD/RCTA approach warning buzzer (only when reversing)**

A warning buzzer sounds along with flashing of the BSD/RCTA approach indicator light to warn the driver of dangers.

The setting of the warning buzzer volume can be changed by operating the combination meter display (color LCD). For details, refer to “Menu screens” P200.

▼ **Safety tips regarding the BSD/RCTA approach indicator light/warning buzzer**

- In the following cases, operation of the BSD/RCTA approach indicator light and the warning buzzer may be delayed or the system may fail to issue these warnings.
  - When a vehicle moves to the neighboring lane from a lane next to the neighboring lane.
  - When driving on a steep incline or on repeated sharp uphill and downhill grades
  - When going beyond a pass
  - When both your vehicle and a vehicle driving on a neighboring lane are driving on the far side of each lane.
  - When several narrowly-spaced vehicles are approaching in a row.

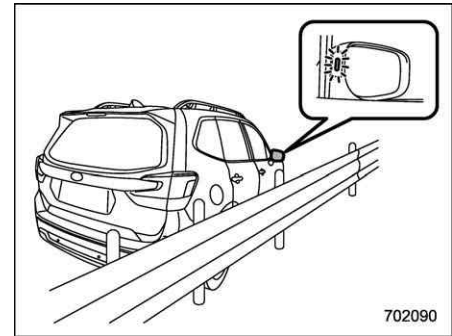
- In low radius bends (tight bends or when making turns at an intersection)
- When there is a difference in height between your lane and the neighboring lane.

– Immediately after the BSD/RCTA is activated by pressing the BSD/RCTA OFF switch.

- Immediately after the select lever is shifted to the “R” position.
- When extremely heavy cargo is loaded in the cargo area.

- During reversing, operation of the BSD/RCTA approach indicator light and the warning buzzer may be delayed or the system may fail to issue these warnings under the following conditions.

- When backing out of an angled parking space
- When a large-sized vehicle is parked next to your vehicle. (That vehicle prevents the propagation of radar waves.)
- When reversing on sloped roads
- When reversing at a high speed

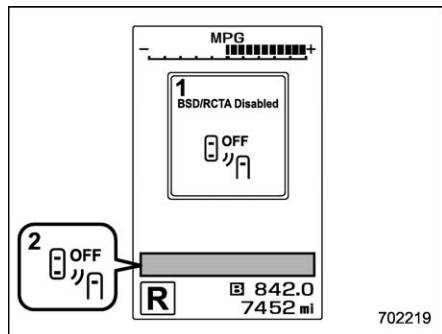


- The BSD/RCTA approach indicator light may illuminate when driving close to solid objects on the road or road side (such as guardrails, tunnels or sidewalls).
- The BSD/RCTA approach indicator light may flash when turning at an intersection in urban areas or a multilane intersection.
- The BSD/RCTA approach indicator light may flash and the warning buzzer may sound if a building or a wall exists in the reversing direction.
- In the following cases, the system may detect a vehicle driving two lanes away from your vehicle.
  - When you are driving on the near side of the lane of the corresponding vehicle.
  - When the vehicle driving two lanes

away is driving on the near side of its lane from your vehicle.

## ■ BSD/RCTA OFF indicator light

### ▼ System temporary stop



- 1) BSD/RCTA temporary stop message
- 2) BSD/RCTA OFF indicator light

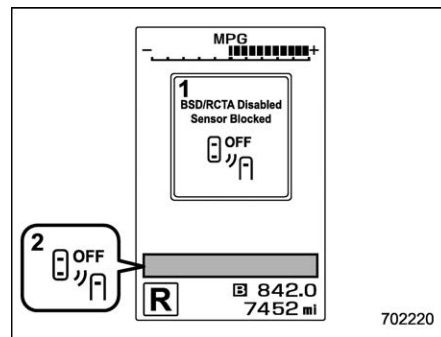
This display appears when the system is used under the following conditions.

- Extremely high or low temperatures
- When abnormal voltage exists for the vehicle battery.
- When the radar sensor is significantly misaligned.

Once the above conditions are corrected, the system will recover from the temporary

stop condition and the indicator will disappear. If the indicator remains displayed for a prolonged time, have the system inspected at a SUBARU dealer.

### ▼ System temporary stop due to reduced radar sensitivity

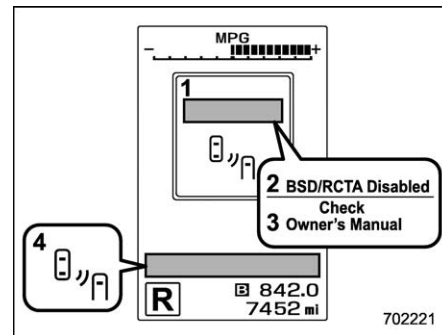


- 1) BSD/RCTA temporary stop message due to reduced radar sensitivity
- 2) BSD/RCTA OFF indicator light

This display appears when the detectability of the radar sensors is reduced. Once the condition is corrected, the system will recover from the temporary stop condition and the indicator will disappear. If the indicator remains displayed for a prolonged time, have the system inspected at a SUBARU dealer.

## ■ BSD/RCTA warning light

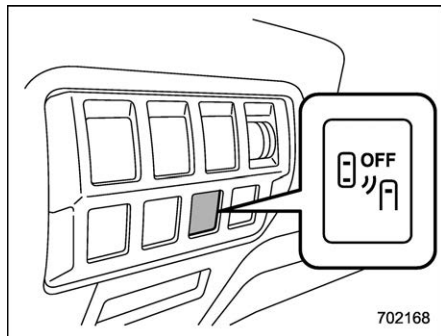
### ▼ System malfunction



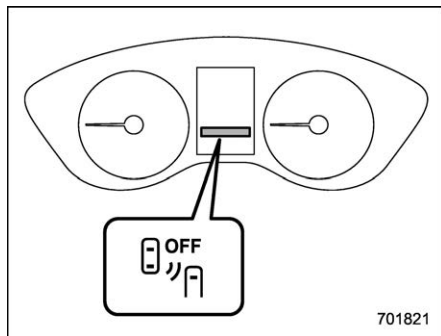
- 1) BSD/RCTA malfunction message
- 2) At first, this message will appear
- 3) Then this message will appear
- 4) BSD/RCTA warning light

This display appears when a malfunction occurs in the system. Contact a SUBARU dealer and have the system inspected.

## ■ BSD/RCTA OFF switch



BSD/RCTA OFF switch



BSD/RCTA OFF indicator light

If the BSD/RCTA OFF switch is pressed, the BSD/RCTA OFF indicator light appears on the combination meter, and the

BSD/RCTA is deactivated.

Press the switch again to activate the BSD/RCTA. The BSD/RCTA OFF indicator light will disappear.

When this occurs, the BSD/RCTA approach indicator light on the side of the rearview mirror illuminates for a few seconds and then turns off.

### NOTE

● In the following cases, the system may not operate properly due to blocked radar waves. Press the BSD/RCTA OFF switch to deactivate the system.

- When towing a trailer
  - When a bicycle carrier or other carrier item is fitted to the rear of the vehicle.
  - When using a chassis dynamometer or free roller device, etc.
  - When running the engine and making the wheels rotate while lifting up the vehicle
- If the ignition switch is turned to the “LOCK”/“OFF” position, the last known status of the system is maintained. For example, if the ignition switch is turned to the “LOCK”/“OFF” position with the BSD/RCTA deactivated, the BSD/RCTA will remain deactivated the next time the ignition switch is turned to the “ON”

position.

## ■ Certification for the BSD/RCTA

### ▼ U.S.-spec. models

FCC ID: OAYSRR3A



**CAUTION**

### FCC WARNING

Changes or modifications not expressly approved by the party responsible for compliance could void the user's authority to operate the equipment.

### NOTE

This device complies with part 15 of the FCC Rules. Operation is subject to the following two conditions: (1) This device may not cause harmful interference, and (2) this device must accept any interference received, including interference that may cause undesired operation.

## ▼ Canada-spec. models

**NOTE**

This device contains licence-exempt transmitter(s)/receiver(s) that comply with Innovation, Science and Economic Development Canada's licence-exempt RSS(s). Operation is subject to the following two conditions:

1. This device may not cause interference.
2. This device must accept any interference, including interference that may cause undesired operation of the device.

Radiofrequency radiation exposure information:

This equipment complies with radiation exposure limits set forth for an uncontrolled environment. This equipment should be installed and operated with minimum distance of 20 cm between the radiator and your body.

702692

**REMARQUE**

L'émetteur/récepteur exempt de licence contenu dans le présent appareil est conforme aux CNR d'Innovation, Sciences et Développement économique Canada applicables aux appareils radio exempts de licence. L'exploitation est autorisée aux deux conditions suivantes:

1. L'appareil ne doit pas produire de brouillage;
2. L'appareil doit accepter tout brouillage radioélectrique subi, même si le brouillage est susceptible d'en compromettre le fonctionnement.

Informations sur l'exposition aux rayonnements radiofréquences:

Cet équipement est conforme aux limites d'exposition aux rayonnements définies pour un environnement non contrôlé. Cet équipement doit être installé et utilisé avec un minimum de 20 cm de distance entre la source de rayonnement et votre corps.

702693

## ▼ Mexico-spec. models

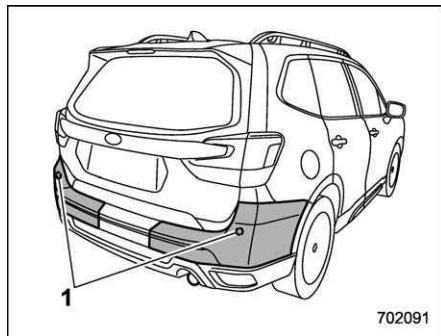
Certificado de homologacion:  
RLVCOSR15-0442

Continental SRR3-A

Este equipo opera a título secundario, consecuentemente, debe aceptar interferencias perjudiciales incluyendo equipos de la misma clase y puede no causar interferencias a sistemas operando a título primario.

702185

## ■ Handling of radar sensors



1) Sensors

The radar sensors, one on each side of the vehicle, are mounted inside the rear bumper.

To ensure correct operation of the BSD/RCTA, observe the following precautions.

- Always keep the bumper surface near the radar sensors clean.
- Do not affix any stickers or other items on the bumper surface near the radar sensors.
- Do not modify the bumper near the radar sensors.
- Do not paint the bumper near the radar sensors.
- Do not expose the bumper near the radar sensors to strong impacts. If a

sensor becomes misaligned, a system malfunction may occur, including the inability to detect vehicles entering the detection areas. If any strong shock is applied to the bumper, be sure to contact your SUBARU dealer for inspection.

- Do not disassemble the radar sensors.

### NOTE

**If the radar sensors require repair or replacement, or the bumper area around the radar sensors requires repair, paintwork or replacement, contact your SUBARU dealer for assistance.**

## 7-21. Reverse Automatic Braking (RAB) system (if equipped)

Reverse Automatic Braking (RAB) is a system designed to help avoid collisions or reduce collision damage when reversing the vehicle. If a wall or an obstacle is detected in the reversing direction, the system will notify the driver with a warning sound and may activate the vehicle's brakes automatically.



### WARNING

- **Reverse Automatic Braking (RAB) is not a system intended to replace the driver's responsibility to check surrounding areas for vehicles or obstacles to avoid a collision.**
- **The driver is responsible for driving safely. Before reversing, be sure to first depress the brake pedal and visually check the surroundings.**
- **There are some cases in which the vehicle cannot avoid collision, because the system operation has limitations. The warning sound or automatic braking may**



be delayed or may not operate at all even when an obstacle is present.

- The system is not designed to detect people (including children), animals or other moving objects.
- Depending on the vehicle condition or the surrounding environment, the sonar sensor's ability to detect objects may be compromised.
- Do not remove the SUBARU genuine navigation and/or audio system. If the SUBARU genuine navigation and/or audio system is removed, the rear view camera image and help lines (distance marker, dynamic guidelines and vehicle width lines) will no longer be displayed.
- Even if the Reverse Automatic Braking (RAB) system and object detection warning is ON, the visible alert of Reverse Automatic Braking (RAB) system will not be displayed. However, the audible alert and its function will operate.

## NOTE

The Reverse Automatic Braking (RAB) system records and stores the following data when automatic braking operates. It does not record conversations, personal information or other audio data.

- Distance from the object
- Vehicle speed
- Accelerator pedal operation status
- Brake pedal operation status
- Select lever position
- Outside temperature
- The sensitivity setting of the sonar sensors

SUBARU and third parties contracted by SUBARU may acquire and use the recorded data for the purpose of vehicle research and development. SUBARU and third parties contracted by SUBARU will not disclose or provide the acquired data to any other third party except under the following conditions.

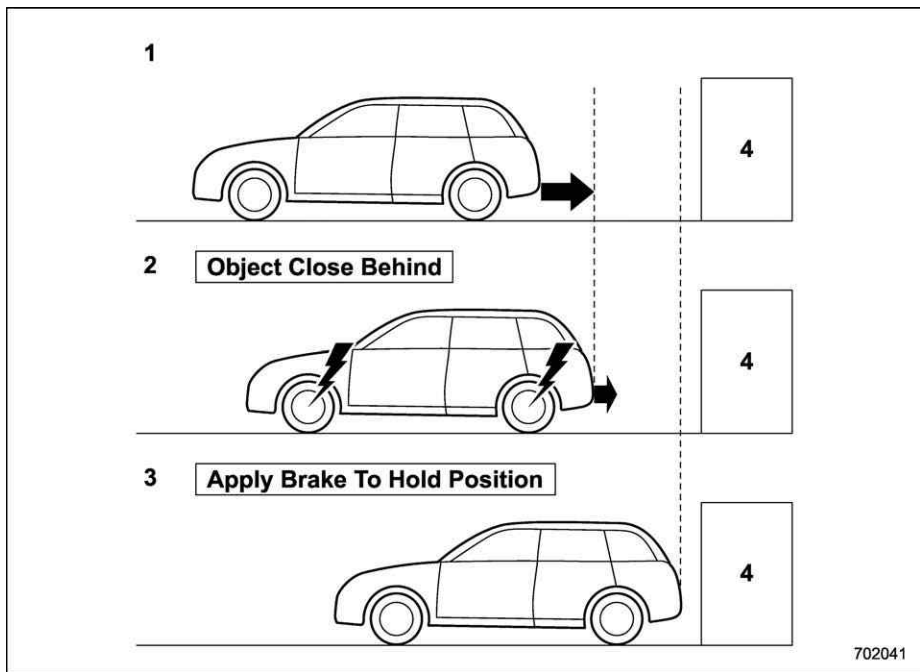
- The vehicle owner has given his/her consent.
- The disclosure/provision is based on a court order or other legally enforceable request.
- Data that has been modified so that the user and vehicle cannot be identi-

fied is provided to a research institution for statistical processing or similar purposes.

## ■ Reverse Automatic Braking (RAB) system overview

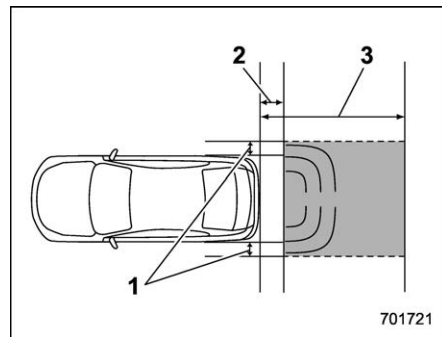
The system detects objects using sonar sensors installed in the rear bumper.

- If the system determines a possible collision with an object in the reversing direction, automatic deceleration will be activated. Also, beeping sounds will activate.
- If the vehicle is further reversed, automatic hard braking will be applied and a continuous beeping sound will activate.



- 1) When reversing
- 2) When either strong automatic braking or torque control is applied to prevent collision (in this case, short warning beeps or continuous warning beeps will sound)
- 3) When the vehicle is stopped by the system (in this case, the continuous beep will remain sounding)
- 4) Object (e.g., a wall)

▼ Detecting range



- 1) Detecting range (width): Approximately 6 in (15 cm) outside of the vehicle width
- 2) Range that the system cannot detect: Approximately 20 in (50 cm) behind the rear of the vehicle
- 3) Detecting range (length): Approximately 5 ft (1.5 m) from the rear of the vehicle

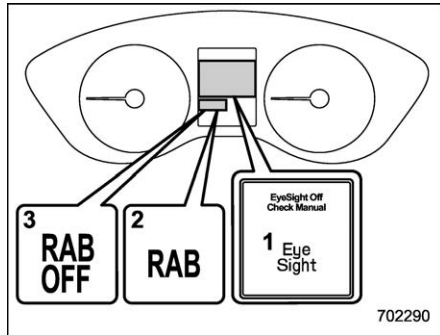
**⚠ WARNING**

**If your vehicle is trapped on a railroad crossing and you are trying to escape by reversing through the crossing gate, the system may recognize the crossing gate as an obstacle and the brake may activate. In this case, remain calm and either continue to depress the accelerator pedal or cancel the system. To**

cancel the system, refer to “Canceling the Reverse Automatic Braking (RAB) system operation” P388.

## ■ Operating conditions

The Reverse Automatic Braking (RAB) system will operate when all of the following conditions are met.



- 1) EyeSight warning indicator
- 2) RAB warning light
- 3) RAB OFF indicator light

- The ignition switch is in the “ON” position.
- The EyeSight warning indicator is off.
- The RAB warning light is off.
- The RAB OFF indicator light is off.
- The Reverse Automatic Braking (RAB)

system is set to on.

- The select lever is in the “R” position.
- The vehicle speed is between 1 to 6 mph (1.5 to 15 km/h).

## NOTE

- In the following cases, the Reverse Automatic Braking (RAB) system will not operate. Promptly contact a SUBARU dealer to have the system inspected.
  - The EyeSight warning indicator is illuminated.
  - The RAB warning light is illuminated.
- When the RAB OFF indicator light is illuminated, the Reverse Automatic Braking (RAB) system cannot be operated.
- In the following cases, the system may not be able to properly detect an obstacle. Promptly contact a SUBARU dealer to have the system inspected.
  - A sticker, paint, or a chemical is applied to the sonar sensor or the rear bumper near the sonar sensor.
  - The rear bumper is modified.
  - The rear bumper has been removed and reattached.

- The ground clearance is changed due to the vehicle’s loading condition or modification.
- Ice, snow or mud is adhered to the rear bumper near the sonar sensor.
- The rear bumper is exposed to strong impact, or the rear bumper is deformed.
- When the 8-inch audio/navigation system is performing a software update, the Reverse Automatic Braking (RAB) system may not display the following items on the audio/navigation screen until the update is complete.
  - Display Icon on/off Function
  - Distance Indicator Image
  - Warning Message
- On a steep hill, the system’s automatic braking ability will be reduced.
- The system is designed to avoid collisions by automatic hard braking when the vehicle’s reversing speed is less than approximately 3 mph (5 km/h). However, the system does not guarantee that the vehicle will be able to avoid collisions in any situation.
- If the vehicle is reversed at an extremely slow speed, the driver’s operation may be prioritized. In this case, automatic braking will not operate.

- The system may not be able to detect the following objects.
  - Sharp or thin objects such as poles, fences and ropes which may not reflect the sound wave emitted from the sonar sensor.
  - Objects that are too close to the rear bumper when the select lever is set to the “R” position.
  - Objects with a surface which may not reflect the sound wave emitted from the sonar sensor such as a chain link fence.
- Objects the system is not designed to detect.
  - Pedestrians
  - Moving objects including moving vehicles
  - Objects which absorb sound waves such as cloth or snow.
  - Objects whose surface has a diagonal angle.
  - Objects that are low to the ground such as parking blocks.
  - Objects that are high above the ground such as objects hanging from above.
- The system may not be able to properly detect objects or may cause a system malfunction when the following conditions exist.

High frequency sound from other sources are nearby:

- Horn sounds from other vehicles.
- Engine sounds from other vehicles.
- Sounds of air brakes
- Vehicle detection equipment or a sonar from other vehicles
- A sound wave with a frequency similar to the vehicle’s system is transmitted nearby.
- A vehicle equipped with the same system is reversing toward your reversing direction.

Weather conditions:

- Extremely high or extremely low temperatures in which the area near the sonar sensor becomes too hot or too cold to operate.
- The sonar sensors or the rear bumper near the sonar sensors is exposed to heavy rain or a significant amount of water.
- Fog, snow or sandstorm, etc.
- Air is moving rapidly such as when a strong wind is blowing.

Parts attached to the rear bumper near the sonar sensor:

- Commercial electronic parts (fog light, fender pole, radio antenna) or

commercial attachment parts (trailer hitch, bicycle carrier, bumper guard) are attached.

- Parts that emit high frequency sound, such as a horn or speaker, are attached.

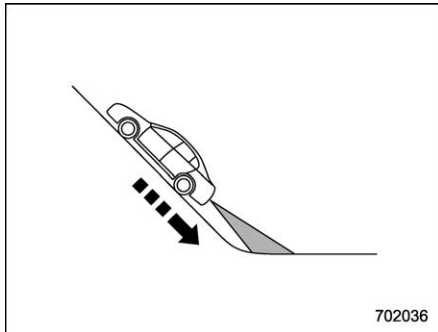
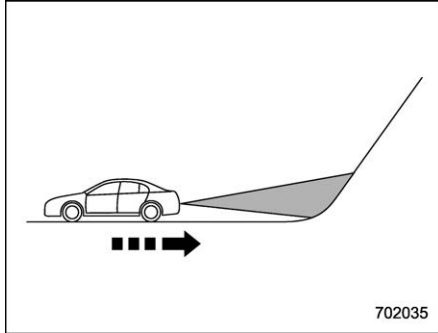
Vehicle conditions:

- The vehicle is significantly inclined.
- The ground clearance is significantly reduced due to the vehicle’s loading condition, etc.
- When the sonar sensor is misaligned due to a collision or an accident.

Surrounding environment:

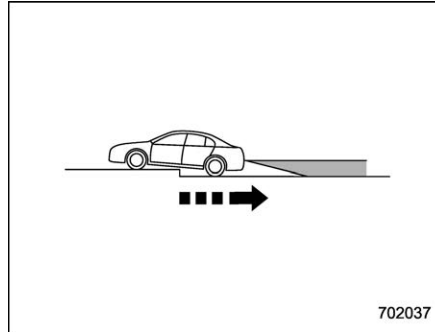
- A cloth banner, flag, hanging branch or railroad crossing bars are present in the reversing direction.
- When reversing on a gravel or grassy area.
- When reversing in an area where objects or walls are adjacent to the vehicle such as narrow tunnels, narrow bridges, narrow roads or narrow garages.
- Wheel tracks or a hole is present in the ground of the reversing direction.

- When reversing over a drainage cover (grate cover).



- The path of the reversing direction is inclined such as on a steep uphill.

- A curb is present in the reversing direction.
- When reversing downhill.



- When reversing on an uneven road.
- In circumstances such as the following, it may not be possible to avoid a collision even when the system operates normally.
  - The roads are slippery.
  - The tire air pressure is not correct.
  - The tires have become worn.
  - Tires which are not the designated size are installed.
  - Emergency repairs were performed using a puncture repair kit.
  - The suspension was modified.

- Tire chains are installed.
- Vehicle driving is unstable due to accident or malfunction.
- The brake warning light is illuminated.

### ■ Reverse Automatic Braking (RAB) system operation

When the Reverse Automatic Braking (RAB) system is in operation, the range between the vehicle and the detected object will be indicated on the audio/navigation monitor. Also, warning sounds will activate in 3 levels to warn the driver of a potential collision.

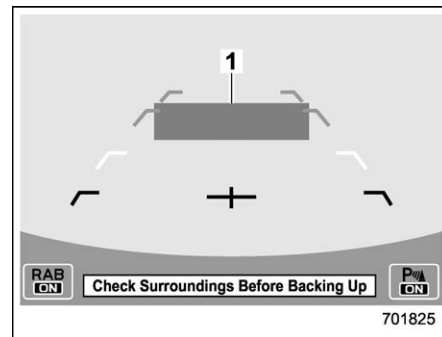
While the RAB is operating, a warning message is displayed on the audio/navigation monitor and the combination meter display (color LCD).

## Guideline of detecting range

Alert level	Range of detected object*	Distance indicator	Alarm pattern
Long proximity (object detected)	35 in (90 cm) or more	Green	No warning sound
Medium proximity alert (approaching the object)	28 to 35 in (70 to 90 cm)	Yellow	Short beeps
Short proximity alert (approaching closer to the object)	20 to 28 in (50 to 70 cm)	Orange	Rapid short beeps
Closest proximity alert (too close to the object)	20 in (50 cm) or less	Red	Continuous beep

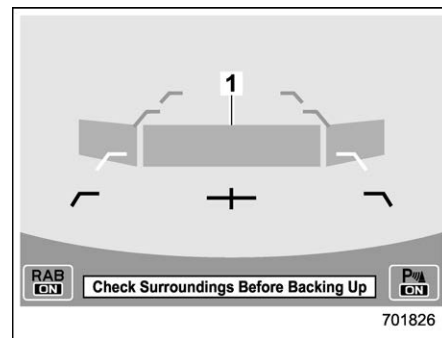
\*: Range of detection may vary depending on the environmental condition.

## ▼ Obstacle detected and alert level



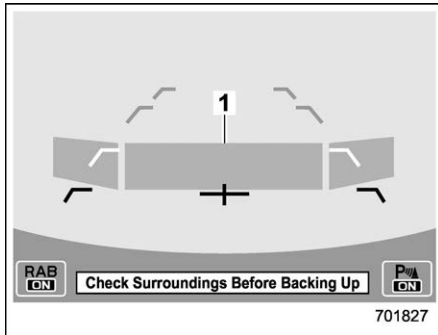
### Long proximity alert (object detected)

1) Green: 35 in (90 cm) or more



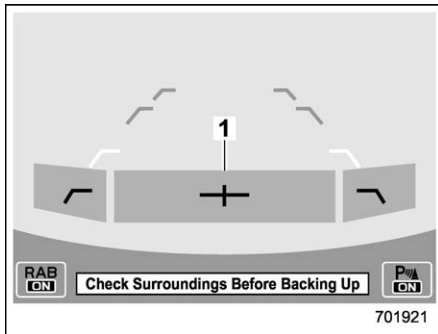
### Medium proximity alert (approaching the object)

1) Yellow: 28 to 35 in (70 to 90 cm)



### Short proximity alert (approaching the object closer)

- 1) Orange: 20 to 28 in (50 to 70 cm)



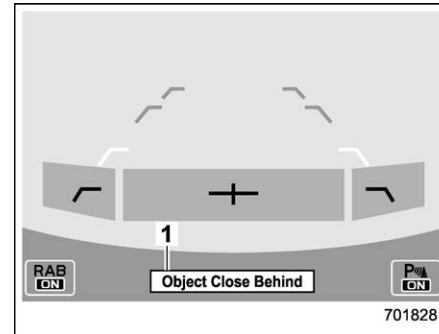
### Closest proximity alert (too close to the object)

- 1) Red: 20 in (50 cm) or less

When an object is detected in the reversing direction, the range of detected object will be shown on the audio/navigation monitor.

A warning alarm will sound and, depending on the speed, either torque control to generate engine braking or automatic braking will be applied.

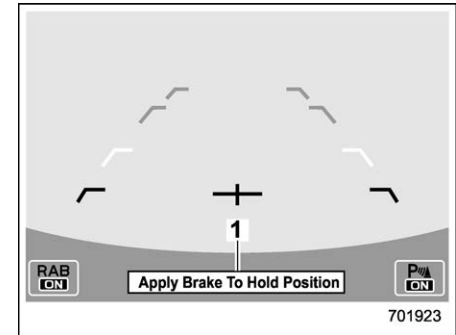
### ▼ Object close behind warning



### Automatic braking warning

- 1) Warning message

If the vehicle continues to go in reverse, the system may determine the risk of collision with the object. In this case, short warning beeps or continuous warning beeps will sound and either strong automatic braking or torque control will be applied to prevent collision.



### Depress brake pedal warning

- 1) Warning message

Make sure to depress the brake pedal once the vehicle has been stopped by automatic braking. Until the brake pedal is depressed, a message will be displayed on the audio/navigation monitor and the continuous beep will remain sounding.

At this time, a warning message is also displayed on the combination meter display (color LCD).

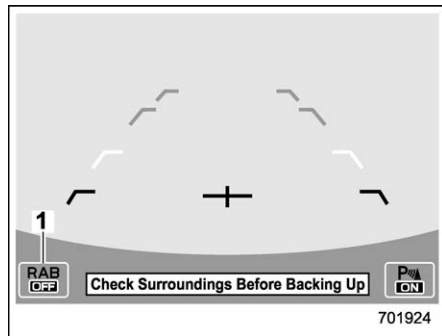


### WARNING

**Depress the brake pedal immediately after the system stops the vehicle by automatic braking. Depending on the conditions of the road surface and tires, the vehicle**

may not remain stopped, possibly leading to an unexpected accident.

▼ After the vehicle is stopped by the system



1) RAB OFF indicator

After the brake pedal is depressed, the RAB OFF indicator will illuminate and the system will temporarily stop operating. The RAB OFF indicator will turn off when the select lever is shifted to a position other than the “R” position.

The system will operate again the next time the select lever is shifted to “R” position.

In circumstances such as the following, the Reverse Automatic Braking (RAB) system automatically stops operating and the RAB OFF indicator illuminates.

- There is ice, snow, mud, or other substance on the sonar sensors.
- The select lever was shifted to “R” when there is an obstacle located close to the rear bumper.
- A sound with a frequency close to that of the sonar used by the Reverse Automatic Braking (RAB) system was detected.

### NOTE

● In the following cases, after the vehicle has been stopped by the Reverse Automatic Braking (RAB) system, brake control is released and the electronic parking brake operates. For details about releasing the parking brake, refer to “Electronic parking brake” P354.

- When 2 minutes pass after the vehicle is stopped.
- When any door is opened.
- When the EyeSight system malfunctions.
- When the Reverse Automatic Braking (RAB) system stops temporarily.

● The message/warning message will not display for approximately 8 seconds after turning the ignition switch to the “ON” position.

### ■ Canceling the Reverse Automatic Braking (RAB) system operation

The Reverse Automatic Braking (RAB) system can be temporarily canceled by any of the following operations.

- Depressing the brake pedal\*
- Depressing the accelerator pedal\*
- The accelerator pedal is kept depressed. (In this case, limited acceleration will be canceled and the vehicle will continue reversing.)
- The select lever is shifted to a position other than the “R” position.

\*: While the vehicle is stopped by the automatic braking

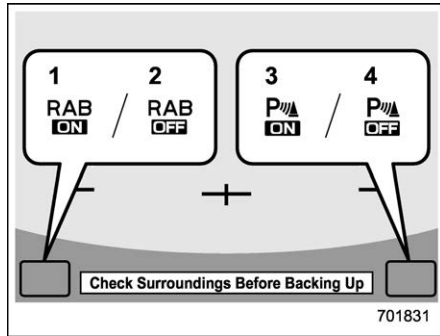
### NOTE

The system will be canceled if the object is no longer detected.



## Reverse Automatic Braking (RAB) system ON/OFF setting

While the select lever is shifted to the “R” position, the below functions of the Reverse Automatic Braking (RAB) system can be set by operating the audio/navigation monitor.



- 1) ON setting key of Reverse Automatic Braking (RAB) system
- 2) OFF setting key of Reverse Automatic Braking (RAB) system
- 3) ON setting key of the object detection warning beeping sound
- 4) OFF setting key of the object detection warning beeping sound

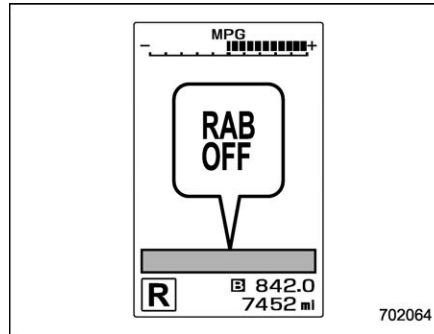
When the ON setting key is shown, the corresponding setting is ON.

Touch and hold the ON setting key to turn the setting OFF.

When the OFF setting is shown, the corresponding setting is OFF.

Touch and hold the OFF setting key to turn the setting ON.

When the Reverse Automatic Braking (RAB) system is turned OFF, the following indicator will illuminate.



RAB OFF indicator light: illuminates when the Reverse Automatic Braking (RAB) system is turned OFF.

RAB OFF indicator light will turn off when the Reverse Automatic Braking (RAB) system is turned ON.

## NOTE

- When the settings cannot be changed, the ON/OFF setting key will be grayed out.

- The ON/OFF setting key may be grayed out if the Reverse Automatic Braking (RAB) system malfunctions, etc. In this case, turn the ignition switch to the “OFF” position and then turn it to the “ON” position again. If the setting cannot be changed even after turning the ignition switch to the “ON” position again, consult your SUBARU dealer.

- The settings will be restored as follows when the select lever is shifted to the “R” position next time.

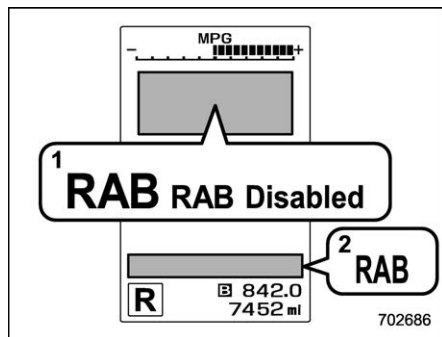
- Reverse Automatic Braking (RAB) system settings: default (ON setting)
- Object detection warning beeping sound: the setting selected by operating the combination meter display (color LCD)

Also, the following settings can be changed by operating the combination meter display (color LCD).

- Warning volume
- Sonar audible alarm ON/OFF

For details, refer to “Menu screens” P200.

## ■ RAB warning light

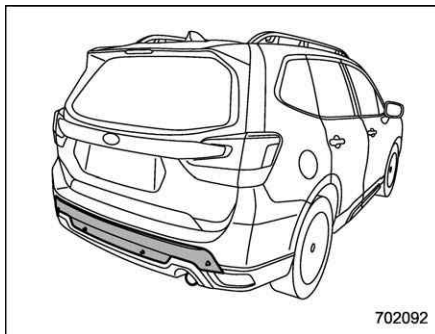


- 1) RAB malfunction message
- 2) RAB warning light

If the Reverse Automatic Braking (RAB) system malfunctions, the above indicator illuminates on the combination meter. Contact the nearest SUBARU dealer for details.

## ■ Handling of the sonar sensors

The 4 sonar sensors are located in the rear bumper. To ensure the proper operation of the Reverse Automatic Braking (RAB) system, observe the following precautions.



- Do not affix any stickers or other items on the sonar sensor or the bumper surface near the sonar sensors.
- Always keep the rear bumper surface near the sonar sensors clean.
- Do not modify the rear bumper.
- Do not paint the bumper near the sonar sensors.
- Do not apply strong impacts to the rear bumper near the sonar sensors. If a sensor becomes misaligned, a system malfunc-

tion may occur, including inability to detect objects in the reversing direction. If any strong impact is applied to the rear bumper, contact a SUBARU dealer to have the system inspected.

- Do not disassemble the sonar sensors.

## NOTE

If the sonar sensors require repair or replacement, or if the area of the rear bumper near the sonar sensors requires repair, paintwork or replacement, contact your SUBARU dealer for assistance.

## 7-22. Driver Monitoring System (if equipped)


Driver Monitoring System is introduced as DriverFocus in some countries.

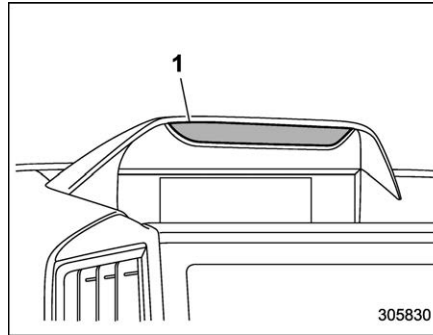
The Driver Monitoring System monitors possible cases when the driver is not paying attention to the forward direction, and also recognizes individual users.

This system warns the driver of inattentive/drowsy driving, and can support safe and comfortable driving by automatically retrieving the following settings.

- Driver's position
- Climate control setting
- Meter setting
- Multi-function display setting

When a user is registered, various settings are automatically retrieved when the user enters the vehicle.

The interior temperature setting can also be changed using gesture control. Refer to "Gesture control"  P403.



1) Camera

### CAUTION

- Always use the utmost care in driving
  - Overconfidence because you are driving a vehicle with the Driver Monitoring System could easily lead to a serious accident.
- This system cannot detect if the driver is feeling drowsy or is concentrating on safe driving.
- It cannot judge if the driver is awake or asleep, if their driving abilities have diminished, or if they are concentrating on safe

driving.

- In some circumstances, the system may not be able to correctly detect the driver state.

### NOTE

- The user recognition camera does not save images, audio, or video.
- The Driver Monitoring System may not operate correctly when sunlight is shining into the vehicle in the following ways.

- Sunlight is shining directly (or through glass) onto the user recognition camera.
- There are shadows on the driver's face caused by sunlight (or any light with a strong infrared component).
- There are large momentary fluctuations in the strength of the sunlight (or any light with a strong infrared component) shining on the face.

- Correct detection may not be possible when a device that includes an infrared light source (such as a commercially available driver monitoring system) is installed in the vehicle interior.

- The Driver Monitoring System may not operate correctly at the following times when the driver is wearing glasses or sunglasses.
  - The sunglasses do not allow the easy passage of infrared light.
  - The surrounding scenery is reflected strongly in the lenses of the glasses or sunglasses.
  - The eyes are hidden by the frame of the glasses and the user recognition camera cannot detect the eyes.
  - The light from an infrared light source (LED) is reflected in the lenses of the glasses or sunglasses.
  - The driver is wearing an eyepatch.
  - The driver is wearing a hat set deeply over the eyes.
- Depending on the type of mask, correct detection of inattentive/drowsy driving may not be possible.
  - Correct user recognition is not possible if the eyes, nose, or mouth is covered with a mask, muffler, sunglasses, or other item.
  - The Driver Monitoring System may not operate correctly when the eyebrows, eyes, nose, or mouth is hidden due to item that is between the face and the system.
- If a thick cover is attached to the steering wheel, then depending on the position set for the tilt/telescopic steering wheel, the cover may block the system's view of the face, and the system and the Driver Monitoring System may not operate correctly.
  - Do not attach any stickers to the user recognition camera or the infrared light source (LED). If the user recognition camera or infrared light source (LED) is covered by an obstruction, it will not be possible to correctly monitor the driver.
  - If an accessory is hung from the inside mirror, correct detection may not be possible.
  - Do not touch the user recognition camera or the infrared light source (LED) directly with your fingers. If there is dirt or a fingerprint on these parts, it will not be possible to correctly monitor the driver. If there is dirt or a fingerprint on these parts, either wipe them with a soft dry cloth, or wipe gently with a damp cloth after first firmly wringing the water out.
  - If the surface of the user recognition camera or the infrared light source (LED) becomes scratched, correct detection may not be possible. Be careful that hard objects do not contact these parts.
- If there is condensation on the user recognition camera or the infrared light source (LED), correct detection may not be possible. If there is condensation on these parts, wipe it away with a soft dry cloth.
  - When registering a user for user recognition, avoid closing your eyes as much as possible.
  - If the user recognition success rate is low, it is possible that the user is not correctly registered. Delete the registered data and perform registration again.
  - If a user frequently drives both with glasses and contact lenses, it is recommended that registration be performed both when wearing glasses and when wearing contact lenses.
  - User recognition starts immediately after entering the vehicle, however if the user looks downward or at the driver side mirror for a long time, the user may not be recognized.
  - When one person among twins or another pair of persons with similar facial features is registered, the other person may be incorrectly recognized as the registered user when entering the vehicle.
  - If the person in the passenger's seat leans into the driver's seat, or in other cases when there are two or more faces

near the driver's seat, the system may not operate correctly.

- There are cases when the system concludes that the user's eyes are closed when the user is looking downward during driving, such as when checking instruments or the navigation screen. In such cases, the drowsy driving warning buzzer may sound or the system may otherwise not operate correctly.

- If the eyes are narrowed when laughing or when there is a dazzling outside light, the system may judge that the eyes are closed and the drowsy driving warning buzzer may sound or the system may otherwise not operate correctly.

- The drowsy driving or asleep warning states are recognized from the length of time and percentage of time that the eyes are closed. The drowsy driving warning buzzer will not sound simply when the driver feels sleepy or yawns.

- Even when the driver does not feel sleepy, if his or her eyes are closed or if he or she blinks frequently, the drowsy driving warning buzzer may sound.

- The inattentive driving warning buzzer may sound if the driver leans forward or puts his or her head out of the window while driving.

- The inattentive driving warning buzzer will not sound when the vehicle is stopped or travelling at slow speed even if the driver is not looking ahead.

- The Driver Monitoring System collects and stores data regarding drivers' facial features. Facial recognition data is stored locally and does not leave the vehicle. It is not transmitted to or stored by SUBARU or anyone else. The Driver Monitoring System may be disabled and any stored driver data may be deleted by following the instructions below. If the Driver Monitoring System is disabled, it will be unable to provide any of its safety or convenience functions.

The functions which are available vary depending on the Driver Monitoring System setting and the user recognition function setting.

Available functions

			Driver Monitoring System*1	
			ON	OFF
User recognition function*2	ON	Inattentive/drowsy driving warning	Available	Not available
		User recognition function	Available	Not available
	OFF	Inattentive/drowsy driving warning	Available	Not available
		User recognition function	Not available	Not available

Available function items

			Driver Monitoring System*1	
			ON	OFF
User recognition function*2	ON	Register User	Available	Not available
		Delete User	Available	Not available
		Delete All Users	Available	Not available
		Update User Settings	Available	Not available
		Delete Driver Position	Available	Not available
	OFF	Register User	Not available	Not available
		Delete User	Available	Not available
		Delete All Users	Available	Not available
		Update User Settings	Not available	Not available
		Delete Driver Position	Not available	Not available

\*1: The system can be turned ON/OFF with the Driver Monitoring System OFF switch. Refer to “Driver Monitoring System OFF switch” P402.

\*2: The function can be turned ON/OFF in the multi-function display customization settings. Refer to “User Recognition settings” P227.

The functions which are available vary depending on whether or not the user is registered.

Available functions

	The user is registered.	The user is not registered.
User recognition function	Available	Not available

■ User recognition function



**Perform registration, retrieving, or delete of the seat position and outside mirror angle before beginning driving. There is the risk of an accident if registration, retrieving, or delete is performed while driving.**

When a user is registered, it is possible to retrieve the following settings.

▼ Driver position personalization

- Seat position and outside mirror angle  
Retrieves the registered seat position and outside mirror angle.
- Reverse tilt angle  
Retrieves the registered reverse tilt-down outside mirror angle.

▼ Meter personalization

- Combination meter display basic screen  
Displays the screen which the user had selected at the time when he/she last exited the vehicle.
- Fuel consumption screen  
Displays the average fuel economy for past driving by that user.

▼ **Multi-function display personalization**

- Multi-function display basic screen

Displays the screen which the user had selected at the time when he/she last exited the vehicle.

- Fuel consumption screen

Displays the average fuel economy for past driving by that user.

- Customization linked with the user recognition function

Menu	Item	
Date	Birthday	
	Anniversary	
Display/Beep	Screen Off	
	Favorite	
	Bypass Screen	Birthday Reminder
		Anniversary Reminder
		Traffic Info
		Weather
		Turn by turn
Beep		
Climate Control	Mode Setting	
	Occupant Detection	

▼ **Climate control personalization**

- Climate control settings

Retrieves setting the temperature, airflow mode, and other settings which the user had selected at the time when he/she last exited the vehicle.

**NOTE**

**When a recognized user exits the vehicle with MAX A/C ON, then the setting which preceded MAX A/C ON is stored.**

▼ **Driver Monitoring System ON/OFF status**

Retrieves the Driver Monitoring System ON/OFF status which the user had selected at the time when he/she last exited the vehicle.



### ▼ Changing the personalization settings

Item		
Driver's position personalization	Seat position/outside mirror angle	Change the setting by using the multi-function display customization function. Refer to "Driver Monitoring System settings" P221.
	Reverse tilt-down outside mirror angle	
Meter personalization*	Combination meter display basic screen	When the customization screen linked with the synchronized user function is selected and the setting is changed, it is automatically stored.
Multi-function display personalization*	Multi-function display basic screen	
	Customization linked with synchronized user function	
Climate control personalization*	Climate control settings	
Driver Monitoring System ON/OFF status		

\*: When the Driver Monitoring System is OFF, the Driver Monitoring System continues to store the conditions from immediately before the Driver Monitoring System was turned OFF even if the screen was selected and the setting was changed.

### ■ Inattentive/drowsy driving warning

While driving, the Driver Monitoring System monitors possible cases of driver inattention or drowsiness and warns the driver.

When the inattentive/drowsy driving warning activates, the buzzer sounds and an interrupt display appears.

#### NOTE

- The inattentive/drowsy driving warning operates regardless of the status of the user recognition function.
- The inattentive driving warning does not activate when the turn signal is operating or when the select lever is in the "R" position.
- When the pre-crash brake OFF indicator is illuminated on the combination meter display, the inattentive driving warning activates at the same timing as usual even when a vehicle ahead or obstacle is detected. For details about the EyeSight system, refer to the Owner's Manual supplement for the EyeSight system.

▼ Inattentive driving warning



When the system monitors that the driver may be inattentive, it warns the driver.




When the inattentive driving warning activates, the buzzer sounds and an interrupt display appears on the combination meter display.

When the EyeSight system has detected a vehicle ahead or obstacle in the forward direction, the inattentive driving warning may activate at earlier timing than usual.

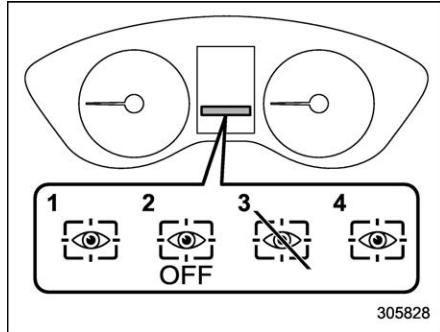
Refer to the Owner's Manual supplement for the EyeSight system.

▼ Drowsy driving warning

Possible drowsiness is detected from the amount of driver eyelid closure, and a warning is given to the driver. When the drowsy driving warning activates, the buzzer sounds and an interrupt display appears.

	Combination meter display	Multi-function display	Warning chime
Drowsy driving	Stay Alert! 	Stay Alert! 	Beep, beep... (Continues until the driver's eyes open.)
Very drowsy			Beep, beep, beep, beep, beep (5 times)
Slightly drowsy	Take a Break! 	—	Beep
Not drowsy	—	—	—

## ■ Driver Monitoring System indicator/warning



- 1) Driver Monitoring System operation indicator light (green)
- 2) Driver Monitoring System OFF indicator light
- 3) Driver Monitoring System temporary stop indicator light
- 4) Driver Monitoring System warning light (yellow)

The Driver Monitoring System indicator/warning indicates the status of the Driver Monitoring System on the combination meter display.

### NOTE

When the Driver Monitoring System OFF indicator, Driver Monitoring System temporary stop indicator, or Driver Monitoring System warning is illumi-

nated, the Driver Monitoring System function cannot be used. In addition, the following items cannot be selected.

- Register User
- Delete User
- Delete All Users
- Update User Settings
- Delete Driver Position
- Automatically retract seat on entry

#### ▼ Driver Monitoring System operation indicator light (green)

This indicator illuminates when the Driver Monitoring System is operating.

#### ▼ Driver Monitoring System OFF indicator light

This indicator illuminates when the user has pressed the Driver Monitoring System OFF switch and the Driver Monitoring System is not operating.

#### ▼ Driver Monitoring System temporary stop indicator light

This indicator illuminates when the Driver Monitoring System is temporarily stopped.

### NOTE

The Driver Monitoring System stops temporarily in the following circumstances.

- When the temperature of the main unit of the Driver Monitoring System is

high or low.

- When the Driver Monitoring System cannot monitor the driver's eye movement.
- When the Driver Monitoring System cannot monitor the driver's eyebrows, eyes, nose or mouth.
- When the camera and the infrared light source (LED) are covered and the Driver Monitoring System cannot monitor the driver correctly.

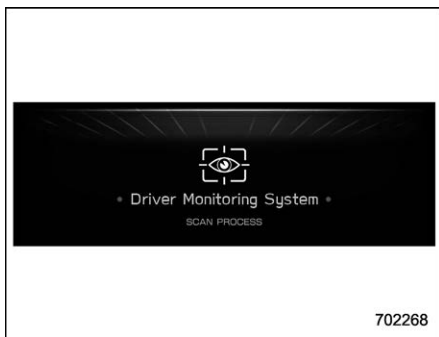
#### ▼ Driver Monitoring System warning light (yellow)

This warning illuminates when there is a problem with the Driver Monitoring System. Contact a SUBARU dealer to have the system inspected.

## ■ Using the Driver Monitoring System

### ▼ User recognition

When a user is registered with the user recognition function, the Driver Monitoring System performs the following.



1. When the door is opened and the push-button ignition switch is OFF, the user recognition screen appears and the Driver Monitoring system starts user recognition.

The user recognition screen may not appear when the door is opened in some cases, such as when only a short time has passed after the push-button ignition switch was turned OFF. In such cases, user recognition starts when the door is closed however the user recognition screen does not appear.



2. Sit in the driver's seat and face forward for a few moments.  
3. When user recognition is completed, the Hello screen appears on the multi-function display.

At this time, the seat position, outside mirror angle, climate control settings, combination meter display basic screen, multi-function display basic screen, and customization settings all change based on the user information.

## NOTE

- When a multi-function display operation switch is pressed, the user recognition screen is canceled, however user recognition continues.

- When the select lever is not in the "P" position, the seat position will not change even when user recognition is completed.
- If user recognition fails, perform recognition again following the instructions, refer to "When a user is not recognized" P401.
- User recognition is not performed while driving.
- If the seat position or outside mirror angle are in motion at the time when user recognition is completed, then it is not possible to retrieve the seat position, outside mirror angle, or reverse tilt-down outside mirror angle.
- If any of the following operations is performed while retrieving of the seat position or outside mirror angle, retrieving of the seat position and outside mirror angle is canceled.
  - The power seat adjustment switch was operated.
  - The outside mirror adjustment switch was operated.
  - The "SET" button was pressed.
  - The "1" or "2" button was pressed.
  - The select lever was moved to a position other than "P" position.

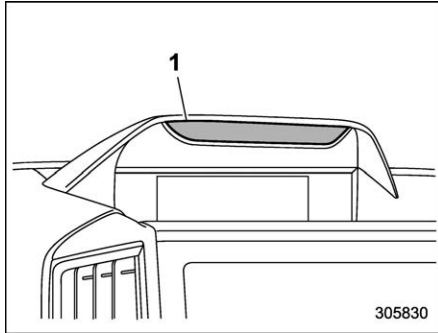
### ▼ When a user is not recognized

In the following case, user recognition may not be possible and “User recognition stopped” may be displayed.

- There is an object blocking the camera.

Remove the obstacle and follow the reference procedure to perform user recognition again.

Refer to “Repeat facial scan” [P221](#).



1) Camera

### NOTE

- User recognition may not be possible when there is dirt or fingerprints on the user recognition camera. To clean, either wipe using a soft cloth or else wipe gently using a moistened cloth that has been thoroughly wrung out.

- When the synchronized user function is turned OFF, manual repeat facial scan is not possible.

### ■ Registering and deleting a user

Users can be registered in the Driver Monitoring System, and registered users can be deleted. For the user registration and delete procedures, refer to “Driver Monitoring System settings” [P221](#).

### NOTE

- When the Driver Monitoring System OFF indicator, Driver Monitoring System temporary stop indicator, or Driver Monitoring System warning is illuminated, the following items cannot be selected.
  - Register User
  - Delete User
  - Delete All Users
- User information can also be deleted by resetting the multi-function display to the factory default settings. When the settings are reset to the factory default settings, all user information is deleted. The settings cannot be reset to the factory default settings when the Driver Monitoring System is OFF.

### ■ Registering and deleting driver position personalization

At the time when a user is registered, the seat position, outside mirror angle, and reverse tilt-down outside mirror angle are registered at the same time. To change the setting for the seat position, outside mirror angle, or reverse tilt-down outside mirror angle, refer to “Driver Monitoring System settings” [P221](#).

### NOTE

- Start the user registration after adjusting the seat position, outside mirror angle, and reverse tilt-down outside mirror angle. If they are adjusted during user registration, it may be disrupted. Refer to “Power seat” [P36](#) or “Outside mirrors” [P257](#).
- If the ignition switch is turned to the “OFF” position before user registration is complete, the information of the adjusted seat position, outside mirror angle, and reverse tilt-down outside mirror angle will not be saved.
- When the user recognition setting is OFF, or when the Driver Monitoring System OFF indicator, Driver Monitoring System temporary stop indicator, or Driver Monitoring System warning is illuminated, the following items cannot be selected.

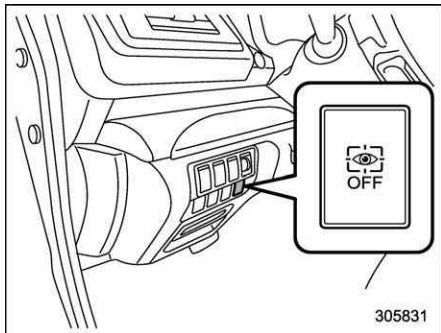
- Update User Settings
- Delete Driver Position
- The driver position can be registered or deleted only when a registered user is sitting in the driver's seat and user recognition is completed.

## ■ Driver Monitoring System ON/OFF settings

### NOTE

- When the Driver Monitoring System is turned OFF after user recognition was completed, the user recognition function stores the Driver Monitoring System ON/OFF state.
- Even when the Driver Monitoring System OFF switch is set to OFF, the Driver Monitoring System automatically turns ON once the driver's door is opened and closed while the vehicle is stopped. This only occurs when the user recognition setting is ON. The system then reverts automatically to the OFF state.
- After the Driver Monitoring System was turned OFF, if the Driver Monitoring System is turned ON while the driver's door is open, user recognition may not occur correctly.

### ▼ Driver Monitoring System OFF switch



When the Driver Monitoring System OFF switch is pressed, the Driver Monitoring System turns OFF. When the Driver Monitoring System is turned OFF, the Driver Monitoring System OFF indicator on the combination meter display will illuminate. To turn the Driver Monitoring System ON, press the Driver Monitoring System OFF switch again.

### NOTE

**Even when the Driver Monitoring System is turned off, the user recognition and automatically retract seat on entry functions do not switch on or off automatically.**

### ▼ User recognition settings

The Driver Monitoring System User recognition function can be turned ON/OFF. For the setting procedure, refer to "Driver Monitoring System settings" P221.

### NOTE

- The user recognition function setting cannot be changed for each individual user.
- The default setting for the user recognition function is ON.
- When the user recognition function is turned OFF, the following items cannot be selected.
  - Repeat facial scan
  - Register User
  - Update User Settings
  - Delete Driver Position

### ▼ Automatically retract seat on entry

The automatically retract seat on entry which automatically slides back the driver's seat when the driver's door is unlocked and opened. This function can be turned ON/OFF. For the setting procedure, refer to "Driver Monitoring System settings" P221.

**CAUTION**

Wait until the seat automatic retraction is fully completed before sitting in the driver's seat.

**NOTE**

- If the seat position is not registered in the access key fob memory, the automatically retract seat on entry function can be used.
- Even when the automatically retract seat on entry setting is ON, the automatically retract seat on entry function automatically turns OFF when the user recognition function is OFF.
- Automatically retract seat on entry cannot be selected when the Driver Monitoring System OFF indicator, Driver Monitoring System temporary stop indicator, or Driver Monitoring System warning is illuminated.
- This function will operate if the seat is in front of the center of the seat sliding mechanism.

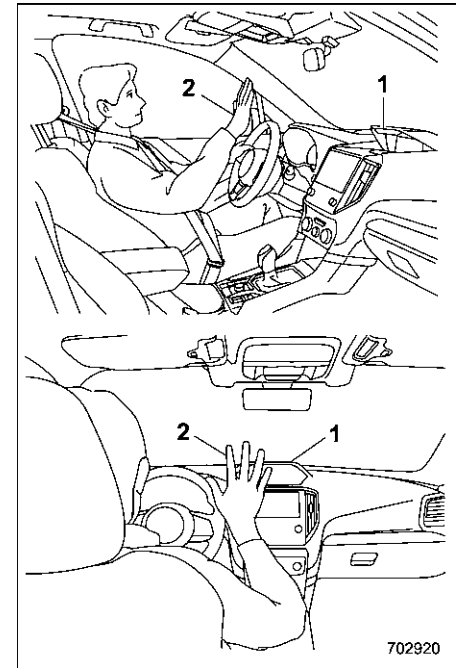
**■ Gesture control**

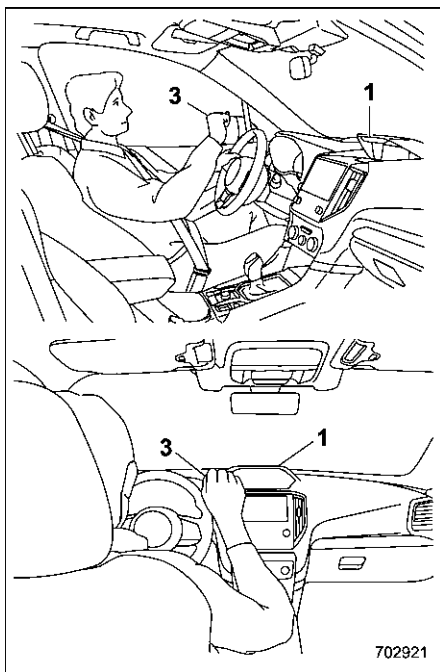
Gesture control is a function that allows you to raise or lower the set temperature on the driver's side by 4 steps of the temperature dial when a specific gesture operation is performed in the area immediately in front of the navigation system and/or audio system.

Gesture control allows you to operate the climate control system without taking your eyes off the road and reduces the time you take your hand off the steering wheel.

Gesture control can be used under the following conditions:

- The engine is running.
- The climate control system is activated. Refer to "Climate control panel" P267.
- The select lever is in a position other than the "P" or "R" position.





- 1) Camera
- 2) When the gesture is an open palm, the set temperature rises.
- 3) When the gesture is a closed fist, the set temperature lowers.

Face your palm toward the camera and gesture so that your fingers are in a vertical

position in front of the camera. Keep your hand in that position until you hear a short beep sound.

If there is no sound within a few seconds, remove your hand from the detection area, such as by returning your hand to the steering wheel, and then perform the gesture again.

The set temperature changes once per gesture operation. The temperature cannot be changed continuously by using gesture operations. If you want to continue setting the temperature, remove your hand from the detection area, such as by returning your hand to the steering wheel, and then perform the gesture again.

Gesture control is not available under the following conditions.

- Any of the following lights is illuminated.
  - Driver Monitoring System OFF indicator light
  - Driver Monitoring System temporary stop indicator light
  - Driver Monitoring System warning light (yellow)
- The select lever is in the “P” or “R” position.
- Driver Monitoring System does not recognize the driver’s face. Refer to “Driver Monitoring System” ⓄP391.

While you are driving the vehicle, gesture control is not available when the following applies.

- The turn signal or hazard warning flasher is activated.
- The steering wheel is turned sharply.
- The inattentive driving warning is activated.
- The drowsy driving warning is activated.
- Driver Monitoring System is in the process of recognizing the driver.
- The vehicle is traveling at low speeds.

## NOTE

- **Gesture control may not operate correctly under the following conditions.**
  - **The sunlight (or any light source with a strong infrared component) is causing the driver’s hand to cast a shadow.**
  - **There are large momentary fluctuations in the strength of the sunlight (or any light source with a strong infrared component) shining on the driver’s hand.**
  - **The driver is wearing gloves or accessories on their hands.**
  - **There is something between the driver’s hand and the camera.**



- There is more than one hand within the range of detection, such as when the passenger's hand is within the range of detection.
- Gesture control may not operate correctly when the following applies.
  - The driver's hand is too close to the camera. If the camera does not recognize your hand, move your hand slightly closer to your face.
  - The driver's hand is outside of the sensor range.
  - The driver's hand is rotating greatly.
  - The driver's hand is tilted at a sharp perpendicular angle relative to the sensor area.
- In the following cases, the system may mistakenly detect hand movement as a hand gesture, which may cause the temperature setting to change.
  - Your hand is within the sensor range when you motion to a person outside the vehicle.
  - You operate the inside mirror or room lamp.
  - A rear passenger reaches forward from the rear seats and places their hand within the range of detection.
- When the climate control system is off, the system may beep in response to

the driver's gestures.

- The operational/non-operational setting of gesture control can be changed by a SUBARU dealer. For details, we recommend that you contact your SUBARU dealer.

### ■ Certification for Driver Monitoring System (U.S.-spec. models)



**CAUTION**

#### FCC WARNING

Changes or modifications not expressly approved by the party responsible for compliance could void the user's authority to operate the equipment.

#### NOTE

This device complies with part 15 of the FCC Rules. Operation is subject to the following two conditions: (1) This device may not cause harmful interference, and (2) this device must accept any interference received, including interference that may cause undesired operation.

- Canada-spec. models

#### NOTE

This device complies with Industry Canada's licence-exempt RSSs. Operation is subject to the following two conditions: (1) This device may not cause interference; and (2) This device must accept any interference, including interference that may cause undesired operation of the device.

#### REMARQUE

Le présent appareil est conforme aux CNR d'Industrie Canada applicables aux appareils radio exempts de licence. L'exploitation est autorisée aux deux conditions suivantes: (1) l'appareil ne doit pas produire de brouillage; (2) l'utilisateur de l'appareil doit accepter tout brouillage radioélectrique subi, même si le brouillage est susceptible d'en compromettre le fonctionnement.

203226

– **Mexico-spec. models**

Este equipo opera a título secundario, consecuentemente, debe aceptar interferencias perjudiciales incluyendo equipos de la misma clase y puede no causar interferencias a sistemas operando a título primario.

500612

■ **How to get the source code using the open source**

Free/Open Source Software Information  
This product contains Free/Open Source Software (FOSS).

The license information and/or the source code of such FOSS can be found at the following URL.

[http://www.embedded-carmultimedia.jp/RTOS/License/oss/DMS\\_0102/](http://www.embedded-carmultimedia.jp/RTOS/License/oss/DMS_0102/)

8-1. New vehicle break-in driving – the first 1,000 miles (1,600 km) .....	408
8-2. Fuel economy hints .....	408
8-3. Engine exhaust gas (carbon monoxide) .....	408
8-4. Catalytic converter .....	409
8-5. Periodic inspections .....	410
8-6. Driving in foreign countries .....	410
8-7. Driving tips for AWD models .....	410
8-8. On-road and off-road driving .....	412
Before driving .....	413
During driving .....	413
After driving .....	414
8-9. Winter driving .....	415
Operation during cold weather .....	415
Driving on snowy and icy roads .....	416
Corrosion protection .....	417
Snow tires .....	417
Tire chains .....	418
Rocking the vehicle .....	418
8-10. Loading your vehicle .....	419
Vehicle capacity weight .....	419
GVWR and GAWR (Gross Vehicle Weight Rating and Gross Axle Weight Rating) .....	420
Roof rails (if equipped) .....	421
Roof tent (models with roof rails) .....	421
8-11. Trailer hitch (dealer option) .....	423
Connecting a trailer .....	424
If not towing a trailer .....	425
8-12. Trailer towing .....	426
Warranties and maintenance .....	426
Maximum load limits .....	426
Trailer Hitches .....	429
When you do not tow a trailer .....	430
Connecting a trailer .....	430
Trailer towing tips .....	431

## 8-1. New vehicle break-in driving – the first 1,000 miles (1,600 km)

The performance and long life of your vehicle are dependent on how you handle and care for your vehicle while it is new. Follow these instructions during the first 1,000 miles (1,600 km):

- Do not race the engine. And do not allow engine speed to exceed 4,000 rpm except in an emergency.
- Do not drive at one constant engine or vehicle speed, either fast or slow.
- Avoid starting suddenly and rapid acceleration, except in an emergency.
- Avoid hard braking, except in an emergency.

The same break-in procedures should be applied to an overhauled engine, newly mounted engine or when brake pads are replaced with new ones.

## 8-2. Fuel economy hints

The following suggestions will help to save your fuel.

- Select the proper gear position for the speed and road conditions.
- Avoid sudden acceleration or deceleration. Always accelerate gently until you reach the desired speed. Then try to maintain that speed for as long as possible.
- Do not pump the accelerator and avoid racing the engine.
- Avoid unnecessary engine idling.
- Keep the engine properly tuned.
- Keep the tires inflated to the correct pressure shown on the tire inflation pressure label, which is located under the door latch on the driver's side. Low pressure will increase tire wear and fuel consumption.
- Use the air conditioner only when necessary.
- Keep the front and rear wheels in proper alignment.
- Avoid carrying unnecessary luggage or cargo.

## 8-3. Engine exhaust gas (carbon monoxide)



### WARNING

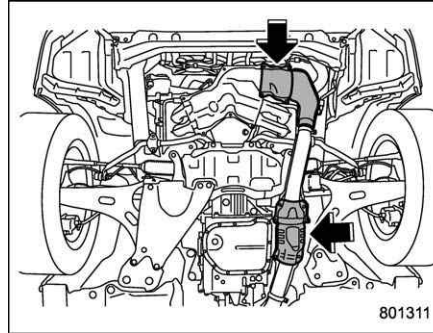
- **Never inhale engine exhaust gas. Engine exhaust gas contains carbon monoxide, a colorless and odorless gas which is dangerous, or even lethal, if inhaled.**
- **Always properly maintain the engine exhaust system to prevent engine exhaust gas from entering the vehicle.**
- **Never run the engine in a closed space, such as a garage, except for the brief time needed to drive the vehicle in or out of it.**
- **Avoid remaining in a parked vehicle for a lengthy time while the engine is running. If that is unavoidable, then use the ventilation fan to force fresh air into the vehicle.**
- **Always keep the front ventilator inlet grille free from snow, leaves or other obstructions to ensure that the ventilation system always works properly.**

- If at any time you suspect that exhaust fumes are entering the vehicle, have the problem checked and corrected as soon as possible. If you must drive under these conditions, drive only with all windows fully open.
- Keep the rear gate closed while driving to prevent exhaust gas from entering the vehicle.

## NOTE

Due to the expansion and contraction of the metals used in the manufacture of the exhaust system, you may hear a crackling sound coming from the exhaust system for a short time after the engine has been shut off. This sound is normal.

## 8-4. Catalytic converter



The catalytic converter is installed in the exhaust system. It serves as a catalyst to reduce HC, CO and NO<sub>x</sub> in exhaust gases, thus providing cleaner exhaust.

To avoid damage to the catalytic converter:

- Use only unleaded fuel. Even a small amount of leaded fuel will damage the catalytic converter.
- Never start the engine by pushing or pulling the vehicle.
- Avoid racing the engine.
- Never turn the ignition switch to the "OFF" position while the vehicle is moving.
- Keep your engine tuned-up. If you feel the engine running rough (misfiring, back-firing or incomplete combustion), have

your vehicle checked and repaired by an authorized SUBARU dealer.

- Do not apply undercoating or rust prevention treatment to the heat shield of catalytic converter and the exhaust system.
- Do not drive with an extremely low fuel level.



## WARNING

- Avoid fire hazards. Do not drive or park the vehicle anywhere near flammable materials (e.g., grass, paper, rags or leaves), because the catalytic converter operates at very high temperatures.
- Keep everyone and flammable materials away from the exhaust pipe while the engine is running. The exhaust gas is very hot.

## 8-5. Periodic inspections

To keep your vehicle in the best condition at all times, always have the recommended maintenance services listed in the maintenance schedule in the “Warranty and Maintenance Booklet” performed at the specified time or mileage intervals.

## 8-6. Driving in foreign countries

When planning to use your vehicle in another country:

- Confirm the availability of the correct fuel. Refer to “Fuel requirements” P310.
- Comply with all regulations and requirements of each country.

## 8-7. Driving tips for AWD models

### **WARNING**

- **Always maintain a safe driving speed according to the road and weather conditions in order to avoid having an accident on a sharp turn, during sudden braking or under other similar conditions.**
- **Always use the utmost care in driving – overconfidence because you are driving an All-Wheel Drive vehicle could easily lead to a serious accident.**
- **When replacing or installing tire(s), all four tires must be the same for following items.**
  - (a) Size
  - (b) Speed symbol
  - (c) Load index
  - (d) Circumference
  - (e) Construction
  - (f) Manufacturer
  - (g) Brand (tread pattern)
  - (h) Degrees of wear

For the items (a) to (c), you must obey the specification that is printed on the tire inflation pressure label. The tire inflation pressure label is located on the driver's door pillar.

If all the four tires are not the same for items (a) to (h), serious mechanical damage could be caused to the drivetrain of the car, and affect the followings.

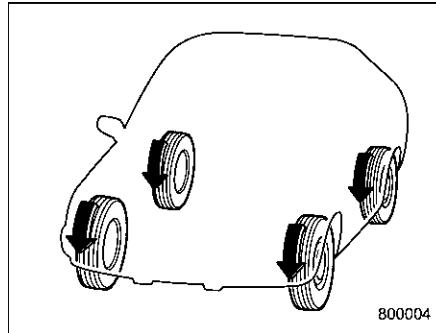
- Ride
- Handling
- Braking
- Speedometer/Odometer calibration
- Clearance between the body and tires

It also may be dangerous and lead to loss of vehicle control, and it can lead to an accident.



### CAUTION

If you use a temporary spare tire to replace a flat tire, be sure to use the original temporary spare tire stored in the vehicle. Using other sizes may result in severe mechanical damage to the drivetrain of your vehicle.



All-Wheel Drive distributes the engine power to all four wheels. AWD models provide better traction when driving on slippery, wet or snow-covered roads and when moving out of mud, dirt and sand. By shifting power between the front and rear wheels, SUBARU AWD can also provide added traction during acceleration and added engine braking force during deceleration.

Therefore, your SUBARU AWD vehicle may handle differently than an ordinary two wheel drive vehicle and it contains some features unique to AWD. For safety purposes as well as to avoid damaging the AWD system, you should keep the following tips in mind.

- An AWD model is better able to climb steeper roads under snowy or slippery

conditions than a two wheel drive vehicle. There is little difference in handling, however, during extremely sharp turns or sudden braking. Therefore, when driving down a slope or turning corners, be sure to reduce your speed and maintain an ample distance from other vehicles.

- Always check the cold tire pressure before starting to drive. The recommended tire pressure is provided on the tire inflation pressure label, which is located under the door latch on the driver's side.

- Frequent driving of an AWD vehicle under hard-driving conditions such as steep hills or dusty roads will necessitate more frequent replacement of the following items than that specified in the "Warranty and Maintenance Booklet".

- Engine oil
- Brake fluid
- Rear differential gear oil
- Continuously variable transmission fluid
- Front differential gear oil

- There are some precautions that you must observe when towing your vehicle. For detailed information, refer to "Towing" P447.

## 8-8. On-road and off-road driving

### WARNING

- In a rollover crash, an unbelted person is significantly more likely to die than a person wearing a seatbelt. The driver and all passengers should fasten their seatbelts before starting to drive in order to minimize the chance of serious injury or death.
- Do not make sharp turns or quick maneuvers unless absolutely unavoidable. Such actions are dangerous, as you may lose control, possibly resulting in a rollover which could cause death or serious injury.
- Always maintain a safe driving speed according to the road and weather conditions in order to avoid having an accident on a sharp turn, during sudden braking or under other similar conditions.
- Whenever strong crosswinds are present, slow down sufficiently to maintain control of your vehicle. Remember that your vehicle,

with its higher profile and center of gravity, is more likely to be affected by crosswinds than ordinary passenger cars.

- Always use the utmost care in driving – overconfidence because you are driving an All-Wheel Drive model could easily lead to a serious accident.
- Never attempt to drive through pools and puddles, or roads flooded with water. Water entering the engine air intake or the exhaust pipe or water splashing onto electrical parts may damage your vehicle and may cause it to stall. In this case, contact your SUBARU dealer immediately. Regardless of its depth, it can wash away the ground from under your tires, resulting in possible loss of traction and even vehicle rollover.

### CAUTION

- After driving on gravel roads or rough roads, check the undercarriage of the vehicle body for any damage, deformation, or paint removal. If you notice any

irregularities, contact a SUBARU dealer for an inspection as soon as possible.

- Frequent driving of an AWD model under hard-driving conditions such as rough roads or off roads will necessitate more frequent replacement of the following items than that specified in the maintenance schedule described in the “Warranty and Maintenance Booklet”.
  - Engine oil
  - Brake fluid

Remember that damage done to your SUBARU while operating it off-road and not using common sense precautions such as those listed above is not eligible for warranty coverage.

Your vehicle is classified as a utility vehicle. A utility vehicle features a high ground clearance and may be equipped with off-road tires (Subaru Forester Wilderness models only), which enable the vehicle to be used for a wider range of applications. Because of the AWD feature and higher ground clearance, you can drive your SUBARU on ordinary roads or off-road. It handles and maneuvers differ-



ently from many passenger vehicles both on-road and off-road, so take time to become familiar with your vehicle. Note, however, that your vehicle is not a conventional off-road vehicle or an all-terrain vehicle, and it should not be operated like one. A higher center of gravity in relation to the tread width as compared with ordinary passenger cars makes vehicles of this type more likely to roll over. In reality, utility vehicles have a significantly higher roll-over rate than other types of vehicles. The high ground clearance of this vehicle is a real advantage, giving you a better view of the road and allowing you to anticipate problems earlier. However, remember that your utility vehicle is not designed for high-speed cornering comparable to ordinary passenger cars and that your vehicle could roll over if you make a sharp turn at high speed. If you do take your SUBARU off-road, certain common sense precautions such as those in the following list should be taken.

### ■ Before driving

- Make certain that you and all of your passengers are wearing seatbelts.
- Carry some emergency equipment, such as a towing rope or chain, a shovel, wheel blocks, first aid kit and cell phone or citizens band radio.

- Secure all cargo carried inside the vehicle and make certain that it is not piled higher than the seatbacks. During sudden stops or jolts, unsecured cargo could be thrown around in the vehicle and cause injury. Do not pile heavy loads on the roof. Those loads raise the vehicle's center of gravity and make it more prone to tip over.
- Never equip your vehicle with tires larger than those specified in this manual.

### ■ During driving

#### General precautions:

- Drive carefully. Do not take unnecessary risks by driving in dangerous areas or over rough terrain.
- Slow down and employ extra caution at all times. When driving off-road, you will not have the benefit of marked traffic lanes, banked curves, traffic signs and the like.
- Do not drive across steep slopes. Instead, drive either straight up or straight down the slopes. A vehicle can much more easily tip over sideways than it can end over end. Avoid driving straight up or down slopes that are too steep.
- Avoid sharp turning maneuvers, especially at higher speeds.
- Do not grip the inside or spokes of the steering wheel. A bad bump could jerk the

wheel and injure your hands. Instead, drive with your fingers and thumbs on the outside of the rim.

- Do not drive or park over or near flammable materials such as dry grass or fallen leaves, as they may burn easily. The exhaust system is very hot while the engine is running and right after the engine stops. This could create a fire hazard.

#### Precautions when driving under especially dangerous situations:

- When driving over bumps in the road, drive as slowly as possible to avoid damaging the wheels, underside of the vehicle, etc.
- If you must rock the vehicle to free it from sand or mud, depress the accelerator pedal slightly and move the select lever back and forth between "D" and "R" repeatedly. Do not race the engine. For the best possible traction, avoid spinning the wheels when trying to free the vehicle.
- Do not perform the following operations. Doing so may cause the transmission to overheat or malfunction.
  - Depressing the accelerator pedal and brake pedal at the same time while the select lever is in a position other than "P" or "N".
  - Depressing the accelerator to hold the vehicle in a stationary position

while on a slope and while the select lever is in a position other than “P” or “N”.

– Trying repeatedly to drive over a bump that the vehicle cannot climb over.

- When the road surface is extremely slippery, you can obtain better traction by starting the vehicle with the transmission in 2nd than 1st. Refer to “Selection of manual mode” P333.

- Do not rotate the tires at a high speed if the vehicle is stuck due to muddy, snowy, icy, or similar low-traction conditions, or if any tire is not touching the ground. Doing so may cause the tires to burst or lead to an accident due to abnormal overheating or damage to drivetrain components.

- On rough roads and roads with large undulations, have a leader guide you, or check the road surface in advance to select a road where the ground will not come in contact with the undercarriage of the vehicle body.

Drive the vehicle at 6 mph (10 km/h) or less. If you hear any abnormal noise while driving, contact a SUBARU dealer for an inspection as soon as possible.

- Do not allow the vehicle tires to be submerged in deep sand, a river, or seawater. If you have to drive under these conditions, thoroughly wash the vehicle

after driving. If you hear any abnormal noise while driving, contact a SUBARU dealer for an inspection as soon as possible.

- If the wheels are stuck, cutting the steering wheel at a sharp angle may cause the steering components to be deformed. If you hear any abnormal noise while driving or if you notice any abnormalities due to rough running, contact a SUBARU dealer for an inspection as soon as possible.

- Avoid driving over curbs. Tires, wheels, suspensions, and the mechanical components under the vehicle body may be unnoticeably damaged by the impact of striking a curb or driving on a rough road. If driving over a curb is unavoidable, ride over it slowly and at a right angle to the curb. When parking your vehicle, make sure that the tires are not pressed against the curb.

- Do not drive for a long time while the vehicle is tilted to the left or right.

### ■ After driving

- Always check your brakes for effectiveness immediately after driving in sand, mud or water. Do this by driving slowly and stepping on the brake pedal. Repeat that process several times to dry out the brake discs and brake pads.

- After driving through tall grass, mud, rocks, sand, rivers, etc., check that there is no grass, bush, paper, rags, stones, sand, etc. adhering to or trapped on the underbody. Clear off any such matter from the underbody. If the vehicle is used with these materials trapped or adhering to the underbody, a mechanical breakdown or fire could occur.

- Wash the vehicle’s underbody after off-road driving. Suspension components are particularly prone to dirt buildup, so they need to be washed thoroughly.

## 8-9. Winter driving

### ■ Operation during cold weather

#### ▼ Maintenance

Carry some emergency equipment, such as a window scraper, a bag of sand, flares, a small shovel and jumper cables.

Check the battery and cables. Cold temperatures reduce battery capacity. The battery must be in good condition to provide enough power for cold winter starts.

It normally takes longer to start the engine in very cold weather conditions. Use an engine oil of a proper grade and viscosity for cold weather. Using heavy summer oil will make it harder to start the engine.

Keep the door locks from freezing by squirting them with deicer or glycerin.

Forcing a frozen door open may damage or separate the rubber weather strips around the door. If the door is frozen, use hot water to melt the ice, and afterwards thoroughly wipe the water away.

Use a windshield washer fluid that contains an antifreeze solution. Do not use engine antifreeze or other substitutes because they may damage the paint of

the vehicle.

If you fill the reservoir tank with a fluid with a different concentration from the one used previously, purge the old fluid from the piping between the reservoir tank and washer nozzles by operating the washer for a certain period of time. Otherwise, if the concentration of the fluid remaining in the piping is too low for the outside temperature, it may freeze and block the nozzles.

#### CAUTION

- **Adjust the washer fluid concentration appropriately for the outside temperature. If the concentration is inappropriate, sprayed washer fluid may freeze on the windshield and obstruct your view, and the fluid may freeze in the reservoir tank.**
- **State or local regulations on volatile organic compounds may restrict the use of methanol, a common windshield washer antifreeze additive. Washer fluids containing non-methanol antifreeze agents should be used only if they provide cold weather protection without damaging your vehicle's paint, wiper blades**

or washer system.

#### ▼ Before driving your vehicle

Before entering the vehicle, remove any snow or ice from your shoes because that could make the pedals slippery and driving dangerous.

While warming up the vehicle before driving, check that the accelerator pedal, brake pedal, and all other controls operate smoothly.

Clear away ice and snow that has accumulated under the fenders to avoid making steering difficult. During severe winter driving, stop when and where it is safe to do so and check under the fenders periodically.

#### ▼ Parking in cold weather

#### WARNING

**Snow can trap dangerous exhaust gases under your vehicle. Keep snow clear of the exhaust pipe and from around your vehicle if you park the vehicle in snow with the engine running.**

**CAUTION**

- **Do not use the parking brake when parking for long periods in cold weather since it could freeze in that position.**
- **When the vehicle is parked in snow or when it snows, raise the wiper blades off the glass to prevent damage to them.**
- **When the vehicle has been left parked after use on roads heavily covered with snow, or has been left parked during a snowstorm, icing may develop on the brake system, which could cause poor braking action. Check for snow or ice buildup on the suspension, disc brakes and brake hoses underneath the vehicle. If there is caked snow or ice, remove it, being careful not to damage the disc brakes, brake hoses or ABS harness.**

When parking for long periods in cold weather, you should observe the following tips.

1. Place the select lever in the “P” position.
2. Use tire stops under the tires to prevent the vehicle from moving.

**▼ Refueling in cold weather**

To help prevent moisture from forming in the fuel system and the risk of its freezing, use of an antifreeze additive in the fuel tank is recommended during cold weather. Use only additives that are specifically designed for this purpose. When an antifreeze additive is used, its effect lasts longer if the tank is refilled whenever the fuel level reaches half empty.

If your SUBARU is not going to be used for an extended period, it is best to have the fuel tank filled to capacity.

**▼ Opening rear gate (models with power rear gate)****CAUTION**

**Before operating the power rear gate, check that there is no frost or snow between the power rear gate and the vehicle body. If you notice frost or snow etc. on the power rear gate, remove it. If you forcibly operate the power rear gate with frost or snow, it may cause a malfunction.**

**■ Driving on snowy and icy roads**

To prevent skidding and slipping, avoid sudden braking, abrupt acceleration, high-speed driving, and sharp turning when driving on snowy or icy roads.

Always maintain ample distance between your vehicle and the vehicle ahead of you to avoid the need for sudden braking.

To supplement the foot brake, use the engine brake effectively to control the vehicle speed. (Shift into a lower gear when necessary.)

Avoid shifting down abruptly. Such behavior can cause the wheels to lock, possibly leading to loss of vehicle control.

An anti-lock brake system (ABS) enhances your vehicle's braking performance on snowy and icy roads. For information on braking on slippery surfaces, refer to “ABS (Anti-lock Brake System)” ⒸP342 and “Vehicle Dynamics Control system” ⒸP344.

**WARNING**

**Do not use the cruise control on slippery roads such as snowy or icy roads. This may cause loss of vehicle control.**

**CAUTION**

**Avoid prolonged continuous driving in snowstorms. Snow will enter the engine's intake system and may hinder the airflow, which could result in engine shutdown or even breakdown.**

**▼ Wiper operation when snowing**

Before driving in cold weather, make sure the wiper blade rubbers are not frozen to the windshield or rear window.

If the wiper blade rubbers are frozen to the windshield or rear window, perform the following procedure.

- To thaw the windshield wiper blade rubbers, use the defroster with the airflow selection in “” and the temperature set for maximum warmth until the wiper blade rubbers are completely thawed. Refer to “Climate control” P265.
- If your vehicle is equipped with a wiper deicer, use it. It is helpful to thaw the windshield wiper blade rubbers. Refer to “Defogger and deicer” P259.
- To thaw the rear wiper blade rubbers, use the rear window defogger. Refer to “Defogger and deicer” P259.

When driving in snow, if frozen snow starts to stick on the surface of the windshield despite wiper operation, use the defroster with the airflow selection in “” and the temperature set for maximum warmth. After the windshield gets warmed enough to melt the frozen snow on it, wash it away using the windshield washer. Refer to “Windshield washer” P247.

Snow stuck on the wiper arm prevents the wiper from working effectively. If snow is stuck on the wiper arm, pull off the road to a safe place, then remove it. If you stop the vehicle at road side, use the hazard warning flasher to alert other drivers. Refer to “Hazard warning flasher” P164.

**▼ Lighting operation when snowing**

Check that the headlights are clean before driving. If snow, frost or ice are attached to the headlights, remove it.

If the headlights are not clean, they will not light the front normally. Also if the indicators and brake lamps are not clean, the vehicle will not be able to inform its status to other drivers and it may result in an accident.

**■ Corrosion protection**

Refer to “Corrosion protection” P460.

**■ Snow tires****WARNING**

- **When replacing or installing winter tire(s), all four tires must be the same for following items.**
  - (a) Size
  - (b) Speed symbol
  - (c) Load index
  - (d) Circumference
  - (e) Construction
  - (f) Manufacturer
  - (g) Brand (tread pattern)
  - (h) Degrees of wear

**For the items (a) to (c), you must obey the specification that is printed on the tire inflation pressure label. The tire inflation pressure label is located on the driver's door pillar.**

**If all the four tires are not the same for items (a) to (h), serious mechanical damage could be caused to the drivetrain of the car, and affect the followings.**

- Ride
- Handling
- Braking

- Speedometer/Odometer calibration
- Clearance between the body and tires

It also may be dangerous and lead to loss of vehicle control, and it can lead to an accident.

- Do not use a combination of radial, belted bias or bias tires since it may cause dangerous handling characteristics and lead to an accident.

Your vehicle is equipped with “all season tires” as original equipment, which are designed to provide an adequate measure of traction, handling and braking performance in year-round driving. In winter, it may be possible to enhance performance through use of tires designed specifically for winter driving conditions.

When you choose to install winter tires on your vehicle, be sure to use the correct tire size and type. You must install four winter tires that are of the same size, construction, brand and load range and you should never mix radial, belted bias or bias tires since this may result in dangerous handling characteristics. When you choose a tire, make sure that there is enough clearance between the tire and vehicle

body.

Remember to drive with care at all times regardless of the type of tires on your vehicle.

### ■ Tire chains



#### CAUTION

**Tire chains cannot be used on your vehicle because of the lack of clearance between the tires and vehicle body.**

### NOTE

**When tire chains cannot be used, use of another type of traction device (such as spring chains) may be acceptable if use on your vehicle is recommended by the device manufacturer, taking into account tire size and road conditions. Follow the device manufacturer's instructions, especially regarding maximum vehicle speed.**

**To help avoid damage to your vehicle, drive slowly, readjust or remove the device if it is contacting your vehicle, and do not spin your wheels. Damage caused to your vehicle by use of a traction device is not covered under warranty.**

**Make certain that any traction device you use is an SAE class S device, and use it on the front wheels only. Always use the utmost care when driving with a traction device. Overconfidence because you are using a traction device could easily lead to a serious accident.**

### ■ Rocking the vehicle

If you must rock the vehicle to free it from snow, sand, or mud, depress the accelerator pedal slightly and move the select lever back and forth between “D” and “R” repeatedly. Do not race the engine. For the best possible traction, avoid spinning the wheels when trying to free the vehicle.

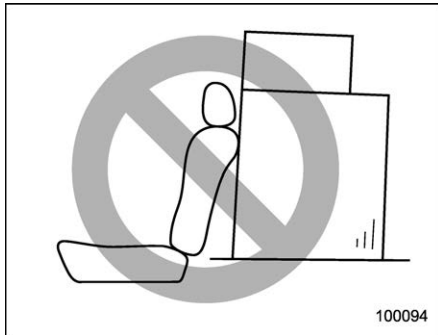
When the road surface is extremely slippery, you can obtain better traction by starting the vehicle with the transmission in 2nd than 1st.

For information about holding the transmission in the 2nd position, refer to “Selection of manual mode” P333.

## 8-10. Loading your vehicle

### ⚠ WARNING

- Never allow passengers to ride on a folded rear seatback in the cargo area. Doing so may result in serious injury.
- Never stack luggage or other cargo higher than the top of the seatback because it could tumble forward and injure passengers in the event of a sudden stop or accident. Keep luggage or cargo low, as close to the floor as possible.



### ⚠ WARNING

- When you carry something inside the vehicle, secure it whenever you can to prevent it from being thrown around inside the vehicle during sudden stops, sharp turns or in an accident.
- Do not pile heavy loads on the roof. These loads raise the vehicle's center of gravity and make it more prone to tip over.
- Secure lengthy items properly to prevent them from shooting forward and causing serious injury during a sudden stop.
- Never exceed the maximum load limit. If you do, some parts on your vehicle can break, or it can change the way your vehicle handles. This could result in loss of control and cause personal injury. Also, overloading can shorten the life of your vehicle.
- Do not place anything on the extended cargo area cover. Such items could tumble forward in the event of a sudden stop or a collision. This could cause serious injury.

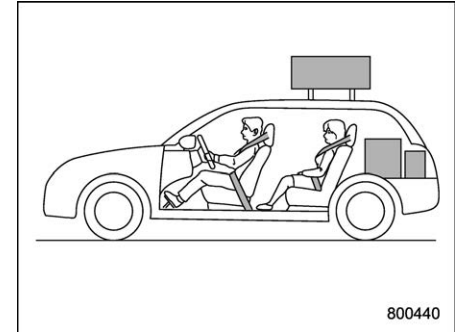
### ⚠ CAUTION

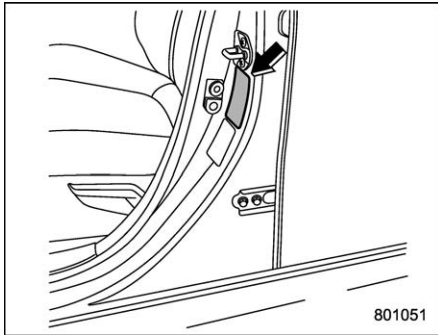
Do not carry spray cans, containers with flammable or corrosive liquids or any other dangerous items inside the vehicle.

### NOTE

For better fuel economy, do not carry unneeded cargo.

### ■ Vehicle capacity weight

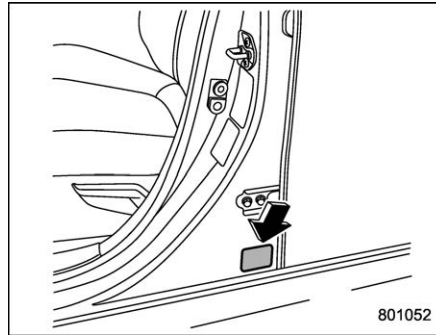




#### Vehicle placard

The load capacity of your vehicle is determined by weight, not by available cargo space. The maximum load you can carry in your vehicle is shown on the vehicle placard attached to the driver's side door pillar. It includes the total weight of the driver and all passengers and their belongings, any optional equipment such as a trailer hitch, roof rack or bike carrier, etc., and the tongue load of a trailer.

#### ■ GVWR and GAWR (Gross Vehicle Weight Rating and Gross Axle Weight Rating)



#### Certification label

The certification label attached to the bottom of driver's side door pillar shows GVWR (Gross Vehicle Weight Rating) and GAWR (Gross Axle Weight Rating).

The GVW (Gross Vehicle Weight) must never exceed the GVWR. GVW is the combined total of weight of the vehicle, fuel, driver, all passengers, luggage, any optional equipment and trailer tongue load. Therefore, the GVW changes depending on the situation. The GVWR equals Curb Weight (actual weight of your vehicle – including standard equipment, fluids, emergency tools and spare tire

assembly) plus the vehicle capacity weight.

In addition, the total weight applied to each axle (GAW) must never exceed the GAWR. The front and rear GAWs can be adjusted by relocating luggage inside the vehicle.

Even if the total weight of your luggage is lower than the vehicle capacity weight, either front or rear GAW may exceed the GAWR, depending on the distribution of the luggage.

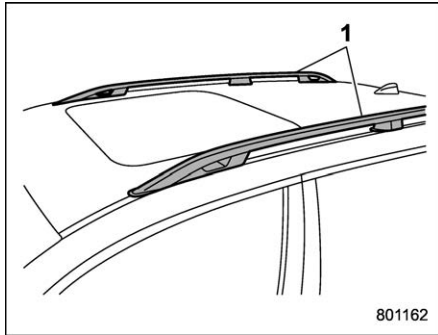
When possible, the load should be evenly distributed throughout the vehicle.

If you carry heavy loads in the vehicle, you should confirm that GVW and front and rear GAWs are within the GVWR and GAWR by putting your vehicle on a vehicle scale, found at a commercial weighing station.

Do not use replacement tires with a lower load range than the originals because they may lower the GVWR and GAWR limitations. Replacement tires with a higher load range than the originals do not increase the GVWR and GAWR limitations.



## ■ Roof rails (if equipped)



1) Roof rails

Cargo can be carried on the roof after securing the crossbars to the roof rails and installing an appropriate carrying attachment. When installing crossbars and a carrying attachment, follow the manufacturer's instructions. The roof rail system is designed to carry loads (cargo, crossbars and carrying attachment) of no more than **176 lbs (80 kg)**. Be sure not to exceed your vehicle's GVWR and GAWR.

### ⚠ CAUTION

- When using a carrying attachment, make sure that the total carrying load of the cargo, crossbars and carrying attachment

does not exceed 176 lbs (80 kg). Overloading may cause damage to the vehicle. Read the manufacturer's instructions and pay attention to not exceed the load limit of the parts.

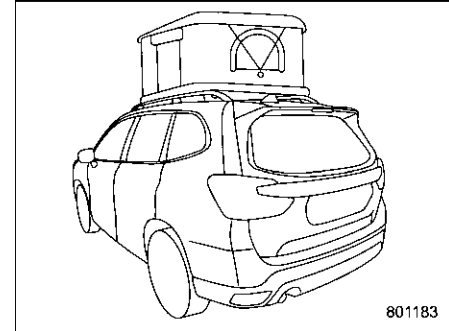
- For cargo carrying purposes, the roof rails must be used together with the SUBARU recommended crossbars and any appropriate carrying attachment that may be needed. The roof rails must never be used alone to carry cargo. Otherwise, damage to the roof or paint, or a dangerous road hazard due to loss of cargo could result.

### NOTE

Remember that the vehicle's center of gravity is altered with the weight of the load on the roof, thus affecting driving characteristics.

Drive carefully. Avoid rapid starts, hard cornering and abrupt stops. Crosswind effects will be increased.

## ■ Roof tent (models with roof rails)



### ⚠ WARNING

Adding weight to the vehicle's roof can adversely affect handling, braking, and rollover resistance. The vehicle must never be driven with a total roof rail load in excess of 176 lbs (80 kg).

### ⚠ CAUTION

- The roof rail load limit for stationary vehicles (700 lbs (317 kg) (for Forester), 800 lbs (360 kg) (for Subaru Forester Wilderness)) applies only when

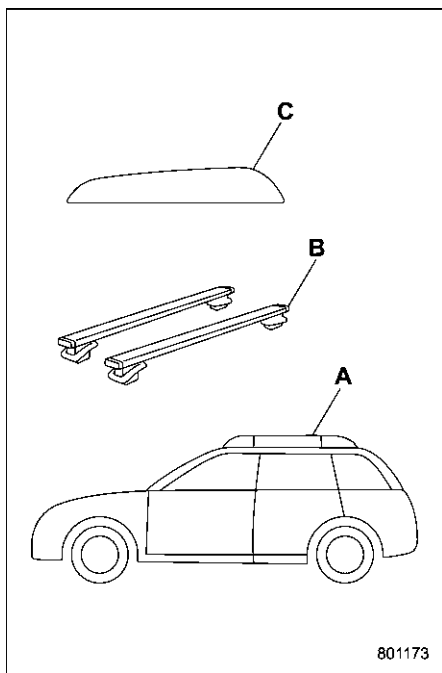
the vehicle is parked and the load is evenly distributed left/right and front/rear and the roof crossbars and roof tent are tightly secured to the vehicle. If these conditions are not met, the load limit will be lower.

- The maximum load limit of the roof crossbars must be obtained from the manufacturer or retailer of the roof rack. When driving the vehicle, the maximum roof rail load is 176 lbs (80 kg) or the crossbar load limit (whichever is lower).
- Roof tents can only be used on vehicles originally equipped with roof rails. Otherwise, damage to the vehicle's roof may occur.

On vehicles equipped with roof rails, roof tents may be used under certain conditions at your own risk.

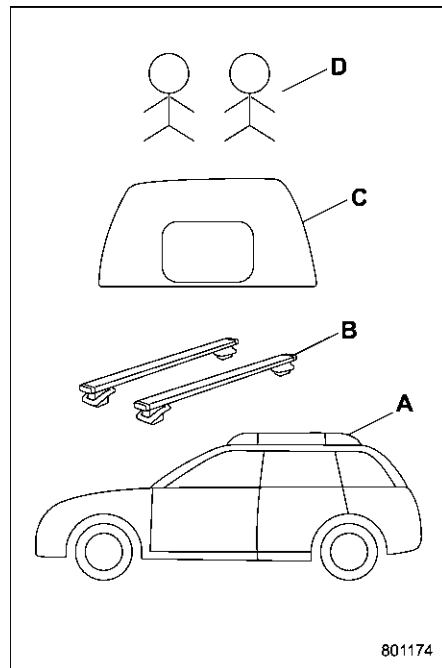
▼ When driving the vehicle

The total weight on the roof rails, including the roof crossbars and roof tent, must not exceed the vehicle's roof rail load of 176 lbs (80 kg), evenly distributed.



- A: Roof rails
  - B: Roof crossbars
  - C: Roof tent
- B + C < 176 lbs (80 kg)**

▼ When the vehicle is parked on level ground



- A: Roof rails
- B: Roof crossbars
- C: Roof tent
- D: Occupants in the roof tent

The total weight on the roof rails – including the roof crossbars, roof tent, and all occupants and contents in the roof tent – must not exceed either the vehicle's roof rail load limit (700 lbs (317 kg) (for Forester), 800 lbs (360 kg) (for Subaru Forester Wilderness)), evenly distributed, or the load limit of the roof crossbars, whichever is lower.

#### Load limit of the roof rail (A).


**Forester:  $B + C + D < 700$  lbs (317 kg)**

**Subaru Forester Wilderness:  $B + C + D < 800$  lbs (360 kg)**

Exceeding this load limit could cause damage to the vehicle or racking system. The vehicle must never be driven with occupants in the roof tent. Before the vehicle is driven, occupants and cargo must be removed from the roof tent and the roof rail load must be restored to within the roof rail load limit of 176 lbs (80 kg). Refer to the user manual that accompanied the roof tent for important safety information and instructions on the proper installation and use of the tent.

## 8-11. Trailer hitch (dealer option)

### WARNING

- Never exceed the maximum weight specified for the trailer hitch. Exceeding the maximum weight could cause an accident resulting in serious personal injuries. Permissible trailer weight changes depending on the situation. For possible recommendations and limitations, refer to “Trailer towing”  P426.
- Trailer brakes are required when the towing load exceeds 1,000 lbs (453 kg). Be sure your trailer has safety chains and that each chain will hold the trailer's maximum gross weight. Towing trailers without safety chains could create a traffic safety hazard if the trailer separates from the hitch due to coupling damage or hitch ball damage.
- Be sure to check the hitch pin and safety pin for positive locking placement before towing a trailer. If the ball mount comes off the hitch receiver, the trailer could

get loose and create a traffic safety hazard.

- Although towing regulations for trailer or caravan vehicles vary by state/region, all regulations agree that specifications such as the maximum gross trailer weight must not exceed the lesser of the following:
  - Maximum gross trailer weight
  - Maximum gross tongue weight
  - GVWR
  - GAWR
- Failure to comply with the procedures set forth will not only compromise your safety, but will also negate your insurance coverage and/or may violate the state road and traffic acts and regulations.
- Use only the recommended SUBARU ball mount that has been designed to work with this trailer hitch. Use the hitch only as a weight carrying hitch. Do not use with any type of weight distributing hitch.
- The standard bumper beam must be installed after you remove the

trailer hitch. Consult a SUBARU dealer for purchase of a standard bumper beam if you do not have the original.

- Safety performance is decreased and there is increased risk of injury to passengers in the case of an accident if the trailer hitch or a standard bumper beam is not installed. One of them must always be installed on the vehicle.
- If a trailer hitch is installed, it is not possible to install the rear towing hook.

The maximum gross trailer weight and maximum gross tongue weight are indicated in the following table.

When towing a trailer with brakes

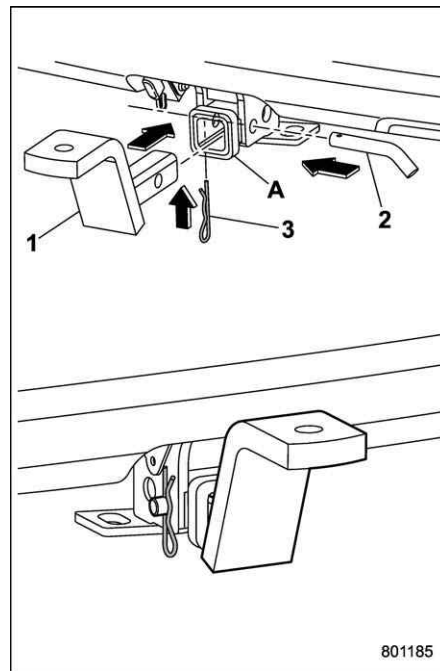
	Maximum gross trailer weight	Maximum gross tongue weight
Except for Subaru Forester Wilderness	1,500 lbs (680 kg)	150 lbs (68 kg)
For Subaru Forester Wilderness	3,000 lbs (1,360 kg)	300 lbs (136 kg)

When towing a trailer without brakes

Maximum gross trailer weight	Maximum gross tongue weight
1,000 lbs (453 kg)	150 lbs (68 kg)

When towing a trailer, refer to “Trailer towing” P426.

## ■ Connecting a trailer



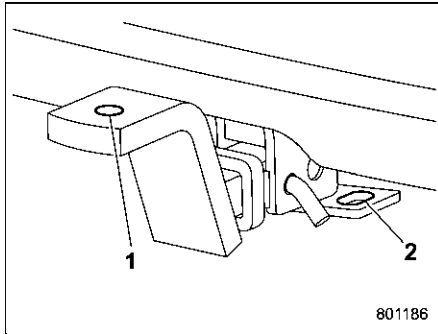
- 1) Ball mount
- 2) Hitch pin
- 3) Safety pin
- A) Hitch receiver tube

1. Insert the ball mount into the hitch

801185

receiver tube.

2. Insert the hitch pin into the hole located on the hitch receiver tube so that the pin passes through the ball mount.
3. Insert the safety pin through the provided hole on the hitch pin securely.
4. Check the ball mount assembly by pulling on it to make sure it does not come off the hitch receiver.



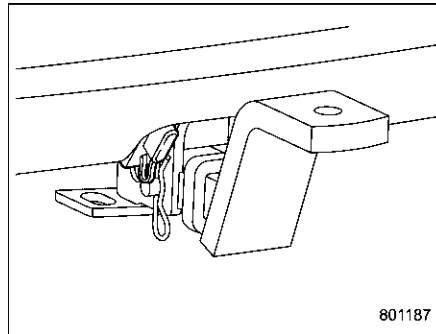
- 1) Hitch ball installation point
- 2) Hooks for safety chains

5. Use only a hitch ball that is appropriate for the ball mount and your trailer. The hitch ball must be securely installed on the ball mount.
6. Connect your trailer to the hitch ball.
7. Connect the trailer and the hitch with safety chains that will hold the trailer's

maximum gross weight. The chains should cross under the trailer tongue to prevent the tongue from dropping onto the ground in case it should disconnect from the hitch ball. Allow sufficient slack in the chains taking tight turn situations into account; however, be careful not to let them drag on the ground.

**WARNING**

**Do not connect safety chains to any part of the vehicle other than the safety chain hooks.**



**Hitch harness connector**

8. Connect the hitch electrical wire harness's black four-pin electrical wire connector to the towing trailer's wire harness.

9. Confirm proper function of the hitch electrical wire harness by individually and combination activating the brake, stop and turn signal lights on the trailer.

**NOTE**

**Always disconnect the trailer electrical wire harness before launching or retrieving a watercraft.**

**■ If not towing a trailer**

- Remove the ball mount from the hitch receiver tube.
- Place the dust cap over the four-pin connector of the hitch electrical wire harness to protect against possible damage.
- Occasionally lubricate terminals of the four-pin connector using terminal grease.

## 8-12. Trailer towing

Your vehicle is designed and intended to be used primarily as a passenger-carrying vehicle. Towing a trailer puts additional loads on your vehicle's engine, drivetrain, brakes, tires and suspension and has an adverse effect on fuel economy.

If you do decide to tow a trailer, your safety and satisfaction depend upon proper use of correct equipment and cautious operation of your vehicle.

Seek the advice of your SUBARU dealer to assist you in purchasing a hitch and other necessary towing equipment appropriate for your vehicle. Do not use towing equipment other than genuine SUBARU towing equipment. In addition, be sure to follow the instructions for proper installation and use provided by the trailer or caravan's manufacturer.

SUBARU assumes no responsibility for injuries or vehicle damage that result from trailer towing equipment, or from any errors or omissions in the instructions accompanying such equipment or for your failure to follow the proper instructions. Regularly check that the hitch mounting bolts and nuts are tightened securely.

### ■ Warranties and maintenance

SUBARU warranties do not apply to vehicle damage or malfunction caused by trailer towing. If you use your vehicle to tow a trailer, more frequent maintenance will be required due to the additional load. (Refer to "Maintenance schedule under severe driving conditions" in the "Warranty and Maintenance Booklet".)

Under no circumstances should a trailer be towed with a new vehicle or a vehicle with any new powertrain component (engine, transmission, differential, wheel bearings, etc.) for the first 1,000 miles (1,600 km) of driving.

### ■ Maximum load limits

#### WARNING

**Never exceed the maximum load limits explained in the following. Exceeding the maximum load limits could cause personal injury and/or vehicle damage.**

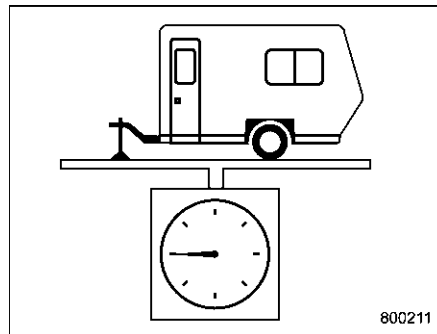
#### CAUTION

- **Adequate size trailer brakes are required when the trailer and its cargo exceed 1,000 lbs (453 kg)**

total weight.

- **Before towing a trailer, check the trailer total weight, GVW, GAWs and tongue load. Make sure the load and its distribution in your vehicle and trailer are acceptable.**

### ▼ Total trailer weight

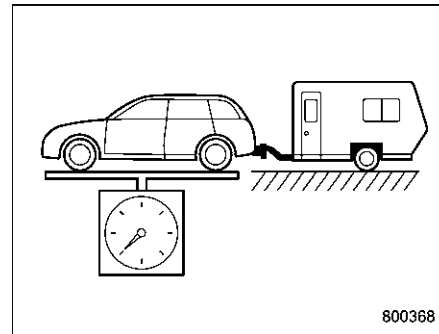


#### Total trailer weight

The total trailer weight (trailer weight plus its cargo load) must never exceed the maximum total trailer weight in the following table.

Conditions	Maximum total trailer weight	
	For Subaru Forester Wilderness	Except for Subaru Forester Wilderness
When towing a trailer with brakes	3,000 lbs (1,360 kg)	1,500 lbs (680 kg)
When towing a trailer without brakes	1,000 lbs (453 kg)	
When towing a trailer on an uphill grade continuously for over 5 miles (8 km) with an outside temperature of 104°F (40°C) or above	1,000 lbs (453 kg)	

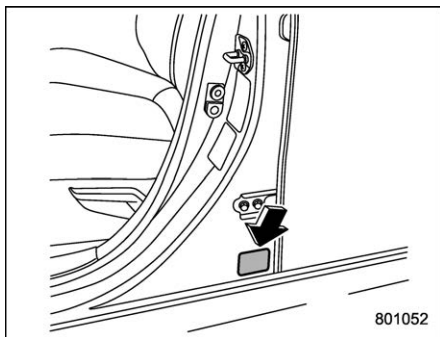
### ▼ Gross Vehicle Weight (GVW) and Gross Vehicle Weight Rating (GVWR)



#### Gross Vehicle Weight

The Gross Vehicle Weight (GVW) must never exceed the Gross Vehicle Weight Rating (GVWR).

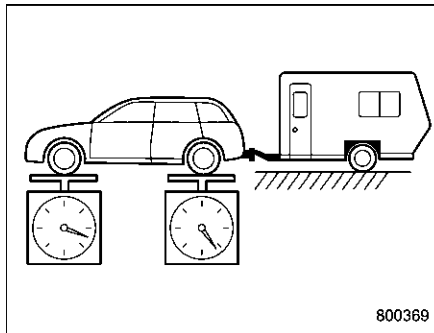
Gross Vehicle Weight (GVW) is the combined total of the weight of the vehicle, driver, passengers, luggage, trailer hitch, trailer tongue load and any other optional equipment installed on your vehicle. Therefore, the GVW changes depending on the situation. Determine the GVW each time before going on a trip by putting your vehicle and trailer on a vehicle scale.



**Certification label**

GVWR of your vehicle that is given by SUBARU is shown on the certification label located at the bottom of driver's side door pillar of your vehicle.

▼ **Gross Axle Weight (GAW) and Gross Axle Weight Rating (GAWR)**



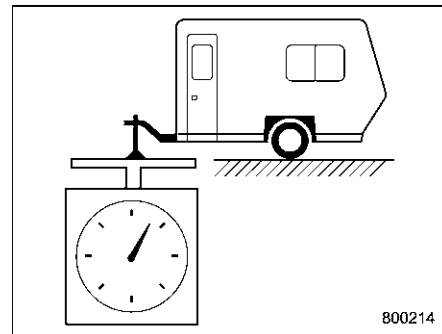
**Gross Axle Weight**

The total weight applied to each axle (GAW) must never exceed the Gross Axle Weight Rating (GAWR). The front and rear GAWs can be adjusted by relocating passengers and luggage inside the vehicle. The front and rear GAWR of your vehicle that is given by SUBARU are also shown on the certification label located at the bottom of driver's side door pillar.

To check both GVWR and GAWR and to confirm that the total weight and weight distribution are within safe driving limits, you should have your vehicle and trailer weighed at a commercial weighing station. Be sure that all cargo is firmly secured to

prevent a change in weight distribution while driving.

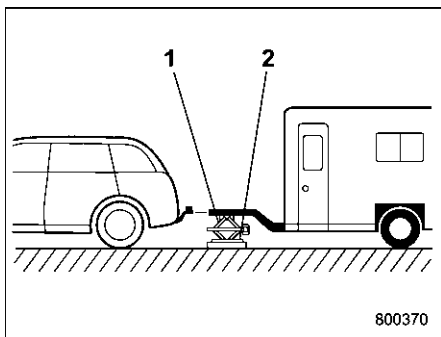
▼ **Tongue load**



**Tongue load**

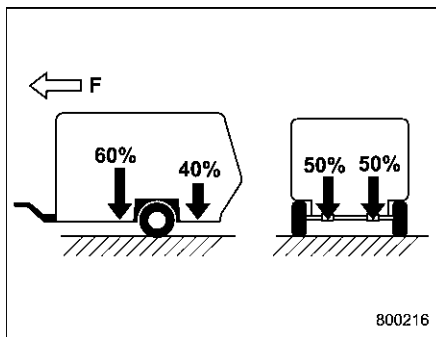
Ensure that the trailer tongue load is from 8 to 11% of the total trailer weight and does not exceed the maximum value of 150 lbs (68 kg) for Forester, 300 lbs (136 kg) for Subaru Forester Wilderness.





- 1) Jack
- 2) Bathroom scale

The tongue load can be weighed with a bathroom scale as shown in the illustration above. When weighing the tongue load, be sure to position the towing coupler at the height at which it would be during actual towing, using a jack as shown.



F: Front

The tongue load can be adjusted by proper distribution of the load in the trailer. Never load the trailer with more weight in the back than in the front; approximately 60 percent of the trailer load should be in the front and approximately 40 percent in the rear. Also, distribute the load as evenly as possible on both the left and right sides. Be sure that all cargo is firmly secured to prevent a change in weight distribution while driving.

### ⚠ WARNING

If the trailer is loaded with more weight in the back of trailer's axle than in the front, the load is taken off the rear axle of the towing vehicle. This may cause the rear wheels to skid, especially during braking or when vehicle speed is reduced during cornering, resulting in over-steer, spin out and/or jackknifing.

### ■ Trailer Hitches

### ⚠ WARNING

Never drill the frame or under-body of your vehicle to install a commercial trailer hitch. If you do, dangerous exhaust gas, water or mud may enter the passenger compartment through the drilled hole. Exhaust gas contains carbon monoxide, a colorless and odorless gas which is dangerous, or even lethal, if inhaled. Also, drilling the frame or under-body of your vehicle could cause deterioration of strength of your vehicle and cause corrosion around the drilled hole.

**CAUTION**

- Do not modify the vehicle exhaust system, brake system, or other systems when installing a hitch or other trailer towing equipment.
- Do not use axle-mounted hitches as they can cause damage to the axle housing, wheel bearings, wheels or tires.

Do not use a trailer hitch other than a genuine SUBARU trailer hitch. A genuine SUBARU trailer hitch is available from your SUBARU dealer.

**■ When you do not tow a trailer****CAUTION**

- The housing should be kept free of dirt and corrosion at the points of contact. The surfaces only require cleaning with a cloth. Grease or other lubricants should never be used.
- If the tow ball mount is not installed, the plastic insert should then be inserted for protection and to prevent it from getting dirty.

When the tow ball mount is not used, place the ball cap and store securely.

**■ Connecting a trailer****▼ Trailer brakes****WARNING**

- Adequate size trailer brakes are required when the trailer and its cargo exceed 1,000 lbs (453 kg) total weight.
- Do not directly connect your trailer's hydraulic brake system to the hydraulic brake system in your vehicle. Direct connection would cause the vehicle's brake performance to deteriorate and could lead to an accident.

If your trailer's total weight (trailer weight plus its cargo weight) exceeds 1,000 lbs (453 kg), the trailer is required to be equipped with its own brake system. Electric brakes or surge brakes are recommended, and must be installed properly. Check that your trailer's brakes conform with Federal, state/province and/or other applicable regulations. Your SUBARU's brake system is not designed to be tapped into the trailer's hydraulic brake system. Please ask your SUBARU

dealer and professional trailer supplier for more information about the trailer's brake system.

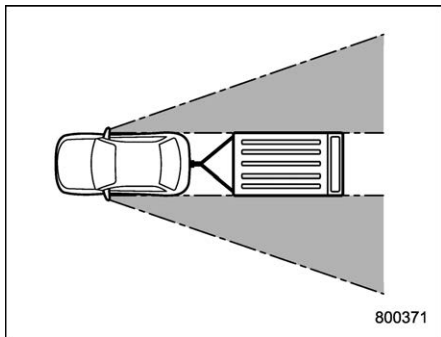
**▼ Trailer safety chains****WARNING**

**Always use safety chains between your vehicle and the trailer. Towing trailer without safety chains could create a traffic safety hazard if the trailer separates from the hitch due to coupling damage or hitch ball damage.**

In case the trailer hitch connector or hitch ball should break or become disconnected, the trailer could get loose and create a traffic safety hazard.

For safety, always connect the towing vehicle and trailer with trailer safety chains. Two chains should be used in total, one to the right side and the other to the left side trailer tongue. Pass the chains crossing each other under the trailer tongue to prevent the trailer from dropping onto the ground in case the trailer tongue should disconnect from the hitch ball. Allow sufficient slack in the chains taking tight turn situations into account; however, be careful not to let them drag on the ground.

### ▼ Side mirrors



After hitching a trailer to your vehicle, check that the standard side mirrors provide a good rearward field of view without significant blind spots. If significant blind spots occur with the vehicle's standard side mirrors, use towing mirrors that conform with Federal, state/province and/or other applicable regulations.

### ▼ Trailer lights

#### CAUTION


**Direct splicing or other improper connection of trailer lights may damage your vehicle's electrical system and cause a malfunction of your vehicle's lighting system.**

Connection of trailer lights to your vehicle's electrical system requires modifications to the vehicle's lighting circuit to increase its capacity and accommodate wiring changes. To ensure the trailer lights are connected properly, please consult your SUBARU dealer. Check for proper operation of the turn signals and the brake lights each time you connect a trailer to your vehicle.

### ▼ Tires

#### WARNING

**Never tow a trailer when the temporary spare tire is used. The temporary spare tire is not designed to sustain the towing load. Use of the temporary spare tire when towing can result in failure of the spare tire and/or less stability of the vehicle.**

Make sure that all the tires on your vehicle are properly inflated. Refer to "Tires"  P517.


Trailer tire condition, size, load rating and proper inflation pressure should be in accordance with the trailer manufacturer's specifications. Also check federal, state, province and/or other applicable regulations.

In the event your vehicle gets a flat tire when towing a trailer, ask a commercial road service representative or professional to repair the flat tire.

If you carry a regular size spare tire in your vehicle or trailer as a precaution against getting a flat tire, be sure that the spare tire is firmly secured.

### ■ Trailer towing tips

#### CAUTION

- For models equipped with the BSD (Blind Spot Detection) and RCTA (Rear Cross Traffic Alert) driving support systems, when towing a trailer, press the BSD/RCTA OFF switch to deactivate the system. The system may not operate properly due to the blocked radar waves. For details about the BSD/RCTA OFF switch, refer to "BSD/RCTA OFF switch"  P378.
- For models equipped with Reverse Automatic Braking (RAB) system, consult your SUBARU dealer for additional information about towing a trailer.

- **Towing a trailer in high temperatures, or on long or steep grades, may cause the vehicle to overheat. Refer to “Engine overheating” P446.**
- **When towing a trailer, steering, stability, stopping distance and braking performance will be different when compared to normal operation. For safety’s sake, you should employ extra caution when towing a trailer and you should never drive at excessive speeds. You should also keep the following tips in mind:**
- **The braking power of the parking brake may not be sufficient when stronger braking power is needed (e.g., when parking on a steep slope while towing a trailer).**

#### ▼ **Before starting out on a trip**

- Check the towing regulations for trailer or caravan vehicles that vary by state/region. Failure to comply with the procedures set forth will not only compromise your safety, but will also negate your insurance coverage and/or may violate the state road and traffic acts and regulations.

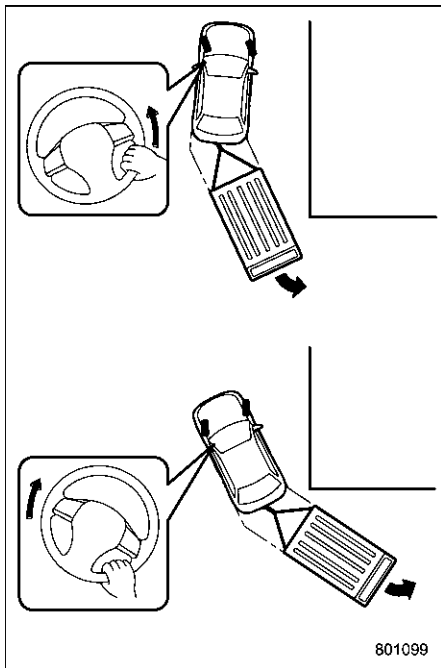
- Check that the vehicle and vehicle-to-hitch mounting are in good condition. If any problems are apparent, do not tow the trailer.
- Check that the vehicle rests horizontally with the trailer attached. If the vehicle is tipped sharply up at the front and down at the rear, check the total trailer weight, GVW, GAWs and tongue load again, then confirm that the load and its distribution are acceptable.
- Check that the tire rating and pressures are correct.
- Check that the vehicle and trailer are connected properly. Confirm that:
  - The trailer tongue is connected properly to the hitch ball.
  - The trailer lights connector is connected properly and trailer’s brake lights illuminate when the vehicle’s brake pedal is pressed, and that the trailer’s turn signal lights flash when the vehicle’s turn signal lever is operated.
  - The safety chains are connected properly.
  - All cargo in the trailer is secured safely in position.
  - The side mirrors provide a good rearward field of view without a significant blind spot.

- Sufficient time should be taken to learn the “feel” of the vehicle/trailer combination before starting out on a trip. In an area free of traffic, practice turning, stopping and backing up.

#### ▼ **Driving with a trailer**

- You should allow for considerably more stopping distance when towing a trailer. Avoid sudden braking because it may result in skidding or jackknifing and loss of control.
- Avoid uneven steering, sharp turns and rapid lane changes.
- Slow down before turning. Make a longer than normal turning radius because the trailer wheels will be closer than the vehicle wheels to the inside of the turn. In a tight turn, the trailer could hit your vehicle.
- Crosswinds will adversely affect the handling of your vehicle and trailer, causing sway. Crosswinds can be due to weather conditions or the passing of large trucks or buses. If swaying occurs, firmly grip the steering wheel and promptly begin decelerating your vehicle at a gradual pace.
- When passing other vehicles, considerable distance is required because of the added weight and length caused by attaching the trailer to your vehicle.

- Reversing the vehicle with a trailer can be difficult and requires experience. Never accelerate or steer rapidly, and grip the bottom of the steering wheel with one hand.




To reverse around a corner, perform the following procedure.

1. Reverse slowly and steer in the opposite direction to the way you want to turn.
2. Once the trailer begins to swing around, straighten the steering wheel.
3. Turn the wheel in the opposite direction.
4. Steer the vehicle around to be in line with the trailer, then straighten the steering again.


- If the ABS warning light illuminates while the vehicle is in motion, stop towing the trailer and have repairs performed immediately by your nearest SUBARU dealer.

#### ▼ Driving on grades

- Before going down a steep hill, slow down and shift to a lower gear (if necessary, use 1st gear) in order to utilize the engine braking effect and prevent overheating of your vehicle's brakes. Do not make sudden downshifts.
- When driving uphill in hot weather, the air conditioner may turn off automatically to protect the engine from overheating.
- When driving uphill in hot weather, pay attention to the following indicators because the engine and transmission are relatively prone to overheating.

 Coolant temperature high warning light

 AT OIL TEMP warning light

 Rear differential oil temperature warning light (if equipped)

If the coolant temperature high warning light and/or the AT OIL TEMP warning light illuminates, immediately turn off the air conditioner and stop the vehicle in the nearest safe location. For further instructions and additional information, refer to the following sections.

- “If you park your vehicle in case of an emergency” P436
- “Engine overheating” P446
- “Coolant temperature low indicator light/Coolant temperature high warning light” P174
- “AT OIL TEMP warning light” P175
- “Rear differential oil temperature warning light” P176

- Avoid using the accelerator pedal to stay stationary on an uphill slope instead of using the parking brake or foot brake. That may cause the transmission fluid to overheat.

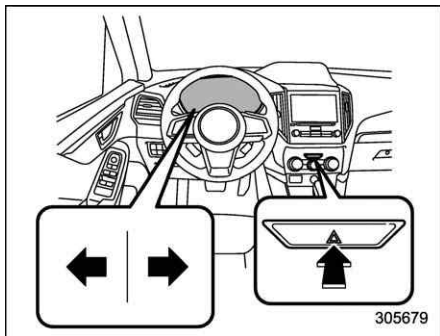
**▼ Parking on a grade**

Always block the wheels under both vehicle and trailer when parking. Apply the parking brake firmly. You should not park on a hill or slope. If parking on a hill or slope cannot be avoided, you should take the following steps:

1. Apply the brakes and hold the pedal down.
2. Have someone place wheel blocks under both the vehicle and trailer wheels.
3. When the wheel blocks are in place, release the regular brakes slowly until the blocks absorb the load.
4. Apply the regular brakes and then apply the parking brake; slowly release the regular brakes.
5. Shift into "P" position and shut off the engine.

<b>9-1. If you park your vehicle in case of an emergency.....</b>	<b>436</b>
<b>9-2. Maintenance tools .....</b>	<b>436</b>
Under the rear floor .....	436
<b>9-3. Temporary spare tire .....</b>	<b>437</b>
<b>9-4. Flat tires .....</b>	<b>438</b>
Changing a flat tire .....	438
Tire pressure monitoring system (TPMS) (U.S.-spec. models).....	442
<b>9-5. Jump starting .....</b>	<b>443</b>
How to jump start.....	444
<b>9-6. Engine overheating .....</b>	<b>446</b>
If steam is coming from the engine compartment .....	446
If no steam is coming from the engine compartment .....	446
<b>9-7. Towing .....</b>	<b>447</b>
Towing hooks and tie-down hooks .....	447
Using a flat-bed truck.....	450
Towing with all wheels on the ground.....	450
<b>9-8. Access key fob – if access key fob does     not operate properly .....</b>	<b>451</b>
Locking and unlocking .....	452
Switching power status .....	452
Starting engine .....	452
<b>9-9. Rear gate – if the rear gate cannot be     opened .....</b>	<b>453</b>
<b>9-10. Moonroof (if equipped) – if the moonroof     does not close.....</b>	<b>454</b>
<b>9-11. If your vehicle is involved in an accident....</b>	<b>454</b>
Automatic door locking/unlocking operation when involved in an accident .....	455

## 9-1. If you park your vehicle in case of an emergency



The hazard warning flasher should be used in day or night to warn other drivers when you have to park your vehicle under emergency conditions.

Avoid stopping on the road. It is best to safely pull off the road if a problem occurs.

The hazard warning flasher can be activated regardless of the ignition switch position.

Turn on the hazard warning by pushing the hazard warning flasher switch. Turn it off by pushing the switch again.

When the hazard warning flasher are flashing, the corresponding turn signal indicator will also flash.

### NOTE

When the hazard warning flasher is on, the turn signals do not work.

## 9-2. Maintenance tools

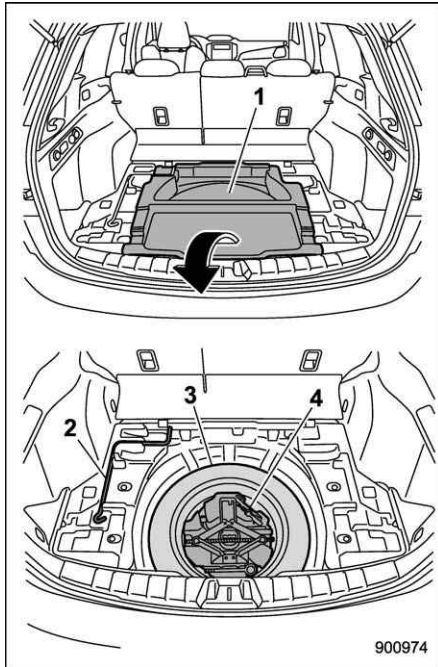
Your vehicle is equipped with the following maintenance tools.

- Jack
- Jack handle
- Screwdriver
- Towing hook (eye bolt)
- Wheel nut wrench

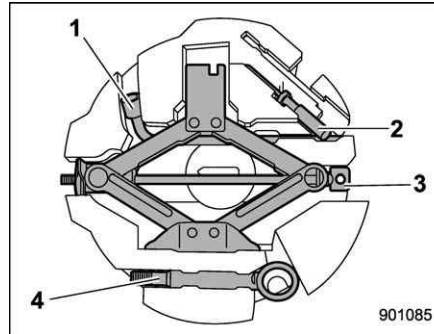
### ■ Under the rear floor

The maintenance tools are stored as shown in the following illustrations.





- 1) Under-floor storage compartment (if equipped). Refer to "Under-floor storage compartment" P300.
- 2) Jack handle
- 3) Spare tire
- 4) Tool bucket



- 1) Wheel nut wrench
- 2) Screwdriver
- 3) Jack
- 4) Towing hook (eye bolt)

### NOTE

- For how to use the jack, refer to "Flat tires" P438.
- The following items may be different depending on the model.
  - The shape of the storage compartment
  - The locations of some maintenance tools

## 9-3. Temporary spare tire

### ⚠ WARNING

- Never tow a trailer when the temporary spare tire is used. The temporary spare tire is not designed to sustain the towing load. Use of the temporary spare tire when towing can result in failure of the spare tire and/or less stability of the vehicle and may lead to an accident.
- When a spare tire is mounted or a wheel rim is replaced without the original pressure sensor/transmitter being transferred, the low tire pressure warning light will illuminate steadily after blinking for approximately one minute. This indicates the tire pressure monitoring system (TPMS) is unable to monitor all four road wheels. Contact your SUBARU dealer as soon as possible for tire and sensor replacement and/or system resetting.

**CAUTION**

**Never use any temporary spare tire other than the original. Using other sizes may result in severe mechanical damage to the drivetrain of your vehicle.**

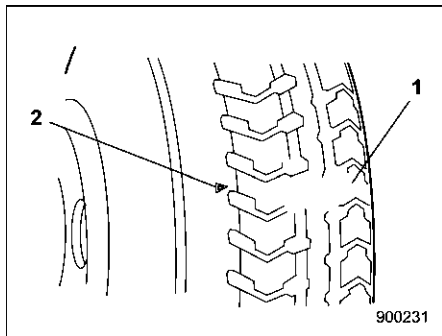
The temporary spare tire is smaller and lighter than a conventional tire and is designed for emergency use only. Remove the temporary spare tire and re-install the conventional tire as soon as possible because the spare tire is designed only for temporary use.

Check the inflation pressure of the temporary spare tire periodically to keep the tire ready for use. For the correct tire pressure, refer to "Temporary spare tires" P517.

When using the temporary spare tire, note the following.

- Drive with caution when the temporary spare tire is installed. Avoid hard acceleration and braking, or fast cornering, as control of the vehicle may be lost.
- Do not exceed 50 mph (80 km/h).
- Do not put a tire chain on the temporary spare tire. Because of the smaller tire size, a tire chain will not fit properly.

- Do not use two or more temporary spare tires at the same time.
- Do not drive over obstacles. This tire has a smaller diameter, so road clearance is reduced.



- 1) Tread wear indicator bar
- 2) Indicator location mark

- When the wear indicator appears on the tread, replace the tire.
- The temporary spare tire must be used only on a rear wheel. If a front wheel tire gets punctured, replace the wheel with a rear wheel and install the temporary spare tire in place of the removed rear wheel.

**9-4. Flat tires**

If you have a flat tire while driving, never brake suddenly; keep driving straight ahead while gradually reducing speed. Then slowly pull off the road to a safe place.

**■ Changing a flat tire****WARNING**

- Use only the jack and the jack handle provided with your vehicle. The jack supplied with the vehicle is designed only for changing a tire. Never get under the vehicle while supporting the vehicle with this jack.
- Do not jack up the vehicle on an incline or a loose road surface. The jack can come out of the jacking point or sink into the ground and this can result in serious injury or death.
- Before jacking up the vehicle, be sure that there are no occupants or cargo on board.
- Do not jack up the vehicle with an object on or underneath the jack. The jack can be unstable and this

can result in a severe accident.

- Always turn off the engine before raising the flat tire off the ground using the jack. Never swing or push the vehicle supported with the jack. The jack can come out of the jacking point due to a jolt and this can result in a severe accident.
- All passengers must exit the vehicle before you raise it with the jack. Raising the vehicle with someone inside of it could result in serious injury or death.
- Do not start the vehicle while it is supported by the jack. Doing so could result in serious injury or death.

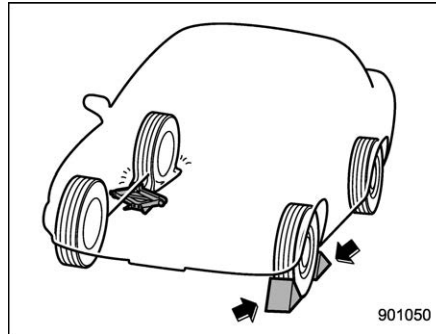
**NOTE**

Contact a SUBARU dealer when jacking up the vehicle using a garage jack.

**CAUTION**

Do not hit and bend the disc rotor backing plate when removing and installing the tire. A bent backing plate may scrape against the disc rotor and cause noise while the vehicle is in motion.

1. Park on a hard, level surface, whenever possible, then stop the engine.
2. Apply the parking brake securely and shift the select lever to the “P” (Park) position.
3. Turn on the hazard warning flasher and unload all occupants and luggage from the vehicle.



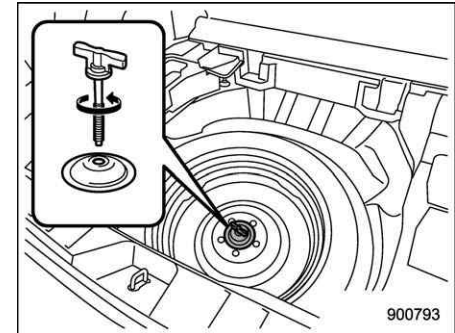
4. Put wheel blocks at the front and rear of the tire diagonally opposite the flat tire.

5. Take out the jack, jack handle and wheel nut wrench.

The tools and spare tire are stored under the floor of the cargo area. Refer to “Maintenance tools” P436.

**NOTE**

Make sure that the jack is well lubricated before using it.

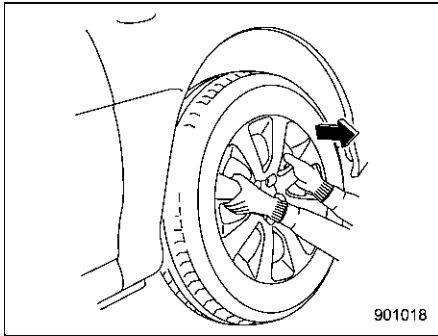


6. Take out the tool bucket and turn the attaching bolt counterclockwise, then take the spare tire out.

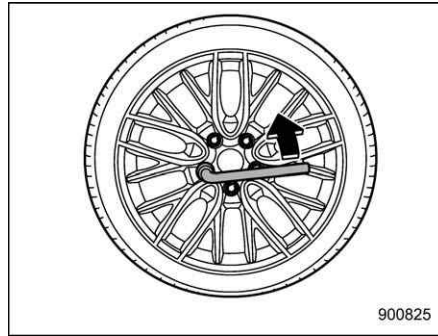
**NOTE**

If the spare tire provided in your vehicle is a temporary spare tire, carefully read “Temporary spare tire” P437 and strictly follow the instructions.

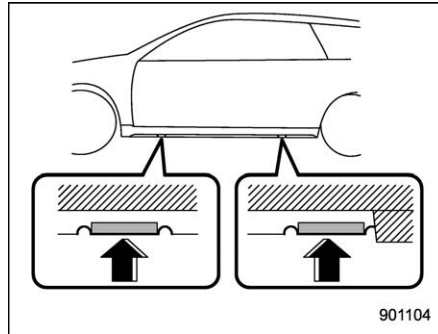
In case of emergency



7. If your vehicle has wheel covers, after your hands are protected by gloves, grasp the wheel cover spokes and pull toward you to remove the wheel cover.

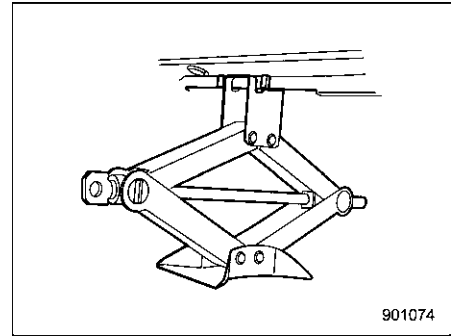


8. Loosen the wheel nuts using the wheel nut wrench but do not remove the nuts.

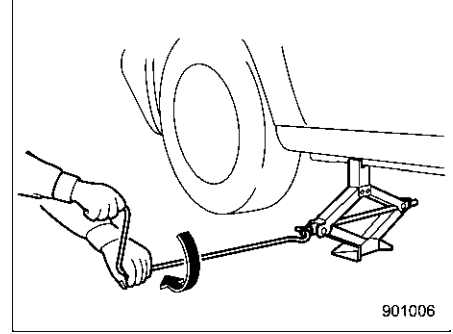


**Jack-up points**

9. Place the jack under the side sill at the front or rear jack-up point closest to the flat tire.

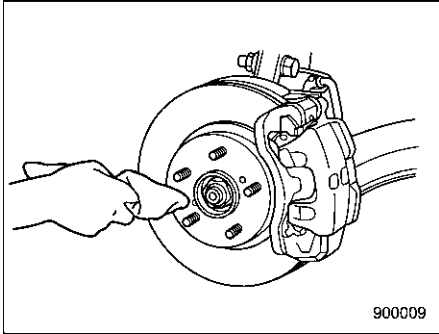


Turn the jackscrew by hand until the jack head engages firmly into the jack-up point.

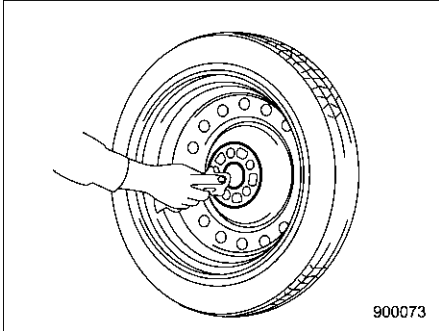


10. Insert the jack handle into the jackscrew, and turn the handle until the tire clears the ground. Do not raise the vehicle higher than necessary.

11. Remove the wheel nuts and the flat tire.



900009



900073

12. Before putting the spare tire on, clean the mounting surface of the wheel and hub with a cloth.

**CAUTION**

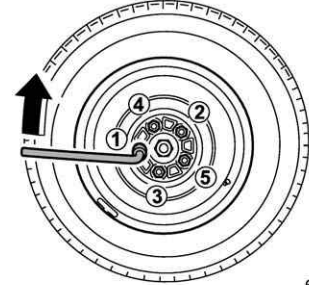
If the threaded part was damaged, we recommend that you immediately contact your SUBARU dealer.

13. Put on the spare tire. Replace the wheel nuts. Tighten them by hand.

**WARNING**

Do not use oil or grease on the wheel studs or nuts when the spare tire is installed. This could cause the nuts to become loose and lead to an accident.

14. Turn the jack handle counterclockwise to lower the vehicle.

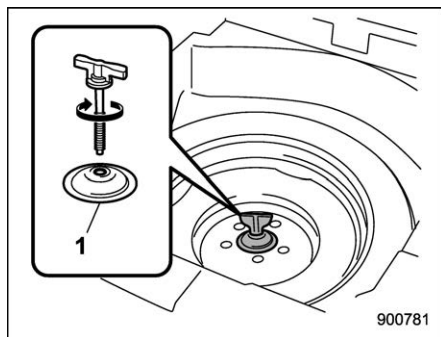


600192

15. Use the wheel nut wrench to securely tighten the wheel nuts to the specified torque, following the tightening order in the illustration.

For the wheel nut tightening torque, refer to "Tires" P517. Never use your foot on the wheel nut wrench or a pipe extension on the wrench because you may exceed the specified torque. Have the wheel nut torque checked at the nearest automotive service facility.

In case of emergency



1) Support holder

16. Store the flat tire in the spare tire compartment. Install with the support holder facing upward and secure the flat tire by firmly tightening the attaching bolt.

## NOTE

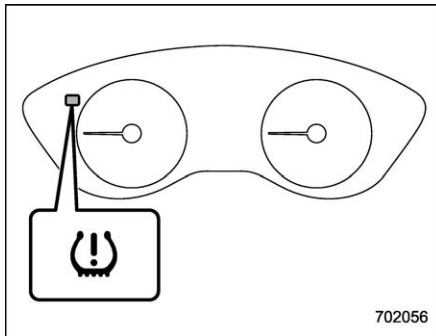
If you cannot fix the flat tire firmly, try turning the support holder upside down.

17. Store the jack, jack handle and wheel nut wrench in their storage locations.

## WARNING

Never place a tire or tire changing tools in the passenger compartment after changing wheels. In a sudden stop or collision, loose equipment could strike occupants and cause injury. Store the tire and all tools in the proper place.

## ■ Tire pressure monitoring system (TPMS) (U.S.-spec. models)



### Low tire pressure warning light

The tire pressure monitoring system provides the driver with the warning message indicated by sending a signal from a sensor that is installed in each wheel when

tire pressure is severely low.

The tire pressure monitoring system will activate only when the vehicle is driven. Also, this system may not react immediately to a sudden drop in tire pressure (for example, a blow-out caused running over a sharp object).

## WARNING

- If the low tire pressure warning light illuminates while driving, never brake suddenly. Instead, perform the following procedure.
  - (1) Keep driving straight ahead while gradually reducing speed.
  - (2) Slowly pull off the road to a safe place. Otherwise an accident involving serious vehicle damage and serious personal injury could occur.
  - (3) Check the pressure for all four tires and adjust the pressure to the COLD tire pressure shown on the vehicle placard on the door pillar on the driver's side.

If this light still illuminates while driving after adjusting the tire pressure, a tire may have significant damage and a fast leak that

causes the tire to lose air rapidly. If you have a flat tire, replace it with a spare tire as soon as possible.

- When a spare tire is mounted or a wheel rim is replaced without the original pressure sensor/transmitter being transferred, the low tire pressure warning light will illuminate steadily after blinking for approximately one minute. This indicates the TPMS is unable to monitor all four road wheels. Contact your SUBARU dealer as soon as possible for tire and sensor replacement and/or system resetting.
- When a tire is repaired with liquid sealant, the tire pressure warning valve and transmitter may not operate properly. If a liquid sealant is used, contact your nearest SUBARU dealer or other qualified service shop as soon as possible. Make sure to replace the tire pressure warning valve and transmitter when replacing the tire. You may reuse the wheel if there is no damage to it and if the sealant residue is properly cleaned off.

If the light illuminates steadily after blinking for approximately one minute, promptly contact a SUBARU dealer to have the system inspected.

## 9-5. Jump starting

### WARNING

- Battery fluid is **SULFURIC ACID**. Do not let it come in contact with the eyes, skin, clothing or the vehicle.  
If battery fluid gets on you, thoroughly flush the exposed area with water immediately. Get medical help if the fluid has entered your eyes.  
If battery fluid is accidentally swallowed, immediately drink a large amount of milk or water, and obtain immediate medical help.  
Keep everyone including children away from the battery.
- The gas generated by a battery explodes if a flame or spark is brought near it. Do not smoke or light a match while jump starting.
- Never attempt jump starting if the discharged battery is frozen. It could cause the battery to burst or explode.
- Whenever working on or around a battery, always wear suitable eye

protectors, and remove metal objects such as rings, bands or other metal jewelry.

- **Be sure the jumper cables and clamps on them do not have loose or missing insulation.**

**Do not jump start unless cables in suitable condition are available.**

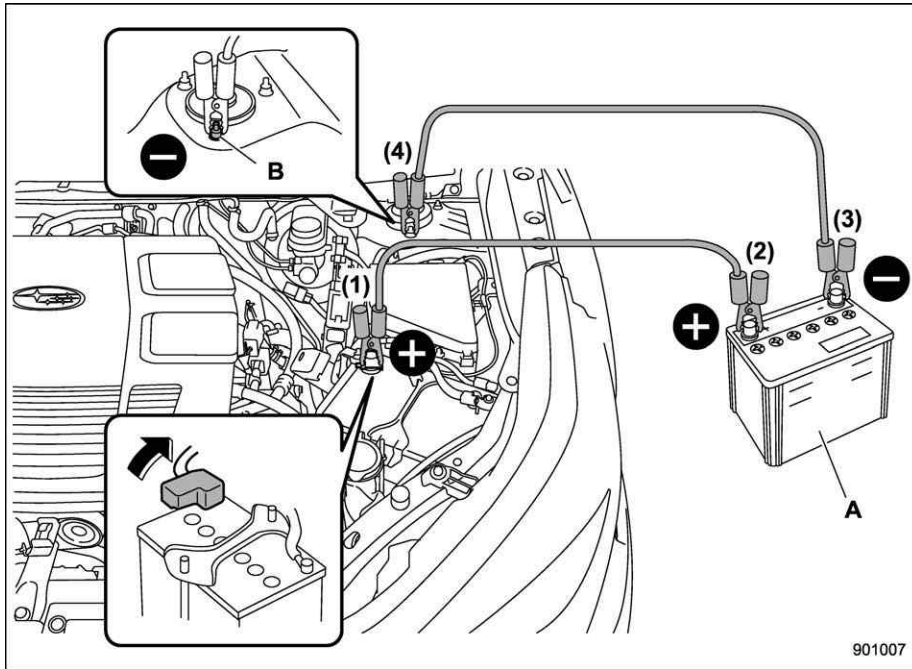
- **A running engine can be dangerous. Keep your fingers, hands, clothing, hair and tools away from the cooling fan, belts and any other moving engine parts. Removing rings, watches and ties is advisable.**
- **Jump starting is dangerous if it done incorrectly. If you are unsure about the proper procedure for jump starting, consult a competent mechanic.**

When your vehicle does not start due to a run down (discharged) battery, the vehicle may be jump started by connecting your battery to another battery (called the booster battery) with jumper cables.

## ■ How to jump start

1. Make sure the booster battery is 12 volts and the negative terminal is grounded.
2. If the booster battery is in another vehicle, do not let the two vehicles touch.
3. Turn off all unnecessary lights and accessories.
4. Connect the jumper cables exactly in the sequence illustrated.





- A) Booster battery  
B) Strut mounting nut

- (1) Connect one jumper cable to the positive (+) terminal on the discharged battery.
- (2) Connect the other end of the jumper cable to the positive (+) terminal of the booster battery.
- (3) Connect one end of the other cable to the negative (-) terminal of the booster battery.
- (4) Connect the other end of the cable to the strut mounting nut of the vehicle with the discharged battery.

Make sure that the cables are not near any moving parts and that the cable clamps are not in contact with any other metal.

5. Start the engine of the vehicle with the booster battery and run it at moderate speed. Then start the engine of the vehicle that has the discharged battery.
6. When finished, carefully disconnect the cables in exactly the reverse order.

## 9-6. Engine overheating

### WARNING

**Never remove the radiator cap until the engine has been shut off and has fully cooled down. When the engine is hot, the coolant is under pressure. Removing the cap while the engine is still hot could release a spray of boiling hot coolant, which could burn you very seriously.**

If the engine overheats, safely pull off the road and stop the vehicle in a safe location.

#### ■ If steam is coming from the engine compartment

- Turn the ignition switch to the “LOCK”/“OFF” position and get everyone away from the vehicle until it cools down.
- Contact an authorized SUBARU dealer.

#### ■ If no steam is coming from the engine compartment

1. Keep the engine running at idling speed.
2. Open the engine hood to ventilate the

engine compartment. Refer to “Engine hood” [P471](#).

Confirm that the cooling fan is turning. If the fan is not turning, immediately turn off the engine and contact an authorized SUBARU dealer for repair.

3. After the coolant temperature high warning light that has blinked or illuminated in **RED** turns off, turn off the engine. For details about the warning light, refer to “Coolant temperature low indicator light/ Coolant temperature high warning light” [P174](#).

4. After the engine has fully cooled down, check the coolant level in the reserve tank. If the coolant level is below the “LOW” mark, add coolant up to the “FULL” mark.

#### NOTE

**For details about how to check the coolant level or how to add coolant, refer to “Engine coolant” [P477](#).**

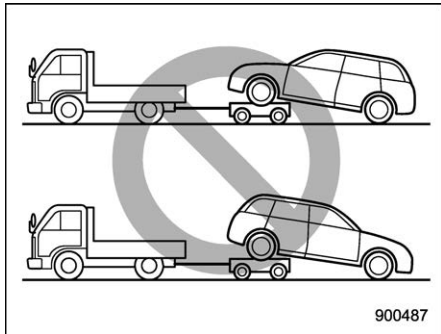
5. If there is no coolant in the reserve tank, add coolant to the reserve tank. Then remove the radiator cap and fill the radiator with coolant.

If you remove the radiator cap from a hot radiator, first wrap a thick cloth around the radiator cap, then turn the cap counter-clockwise slowly without pressing down until it stops. Release the pressure from

the radiator. After the pressure has been fully released, remove the cap by pressing down and turning it.

## 9-7. Towing

If towing is necessary, it is best done by your SUBARU dealer or a commercial towing service. Observe the following procedures for safety.



900487

### ⚠ WARNING

Never tow AWD models with the front wheels raised off the ground while the rear wheels are on the ground, or with the rear wheels raised off the ground while the front wheels are on the ground. This will cause the vehicle to spin away due to the operation or deterioration of the center differential.

### ■ Towing hooks and tie-down hooks/holes

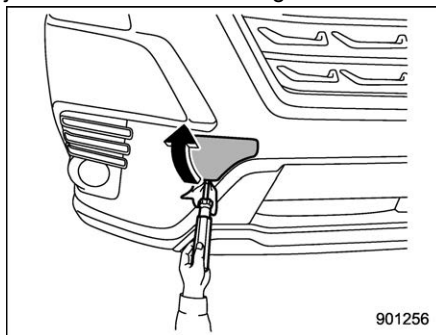
The towing hooks should be used only in an emergency.

#### ⚠ CAUTION

Use only the specified towing hooks and tie-down hooks/holes. Never use suspension parts or other parts of the body for towing or tie-down purposes.

#### ▼ Front towing hook

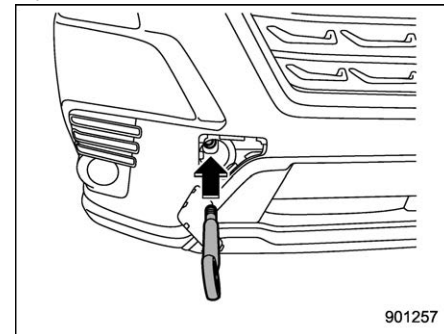
1. Take the towing hook, screwdriver and jack handle out of the cargo area.



901256

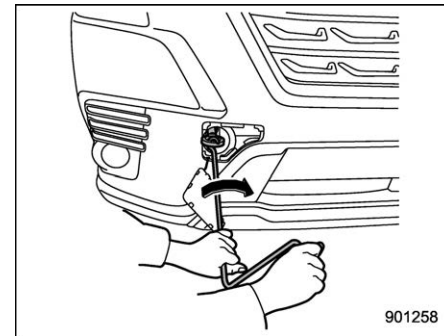
2. Cover the tip of a flat-head screwdriver with vinyl tape or cloth so that it will not

scratch the bumper. Insert the flat-head screwdriver into the cutout of the cover and pry open the cover.



901257

3. Screw the towing hook into the thread hole until its thread can no longer be seen.



901258

4. Tighten the towing hook securely using

the jack handle.

After towing, remove the towing hook from the vehicle and stow it in the tool bucket. Fit the towing hook cover on the bumper.

**WARNING**

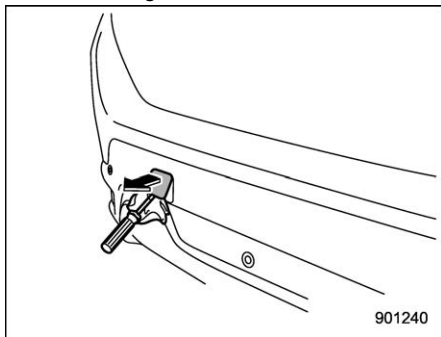
- Do not use the towing hook except when towing your vehicle.
- Be sure to remove the towing hook after towing. Leaving the towing hook mounted on the vehicle could interfere with proper operation of the SRS airbag system in a frontal collision.

**CAUTION**

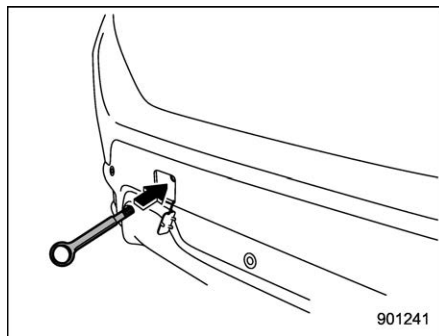
To prevent deformation to the bumper and the towing hook, do not apply an excessive load to the towing hook.

▼ **Rear towing hook**

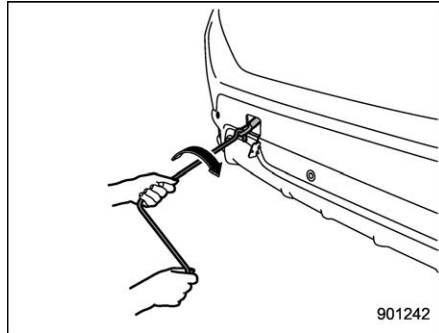
1. Take the towing hook and screwdriver out of the tool bucket. Take the jack handle out of the cargo area.



2. Cover the tip of a flat-head screwdriver with vinyl tape or cloth so that it will not scratch the bumper. Pry off the cover on the rear bumper using a screwdriver, and you will find a threaded hole for attaching the towing hook.



3. Screw the towing hook into the thread hole until its thread can no longer be seen.



4. Tighten the towing hook securely using the jack handle.

After towing, remove the towing hook from the vehicle and stow it in the tool bucket. Fit the towing hook cover on the bumper.

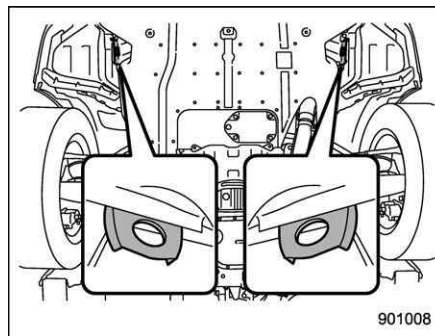
### WARNING

- Do not use the towing hook except when towing your vehicle.
- Be sure to remove the towing hook after towing. Leaving the towing hook mounted on the vehicle could interfere with proper operation of the fuel pump shut off function when the vehicle is struck from behind.

### CAUTION

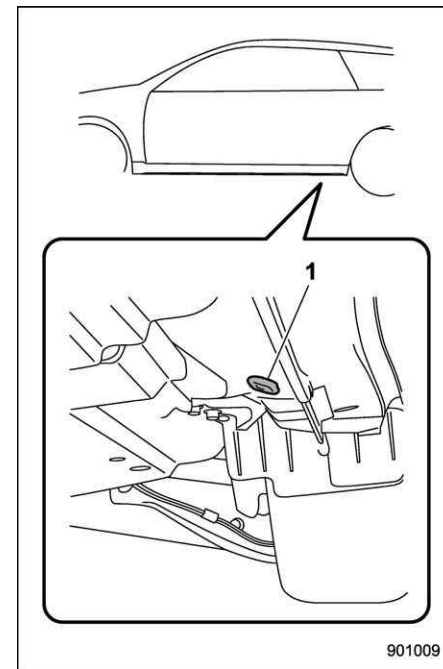
To prevent deformation to the bumper and the towing hook, do not apply an excessive load to the towing hook.

#### ▼ Front tie-down hooks



The front tie-down hooks are located between each of the front tires and the front bumper.

#### ▼ Rear tie-down holes



- 1) Rear tie-down hole

The rear tie-down holes are located near each of the jack-up reinforcements.

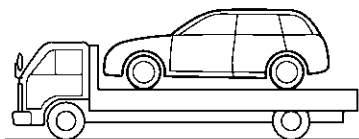
There is a plug in each rear tie-down hole. To use the rear tie-down holes, remove the

plugs. After using the rear tie-down holes, return the plugs to their original places.

**⚠ WARNING**

Use the rear tie-down holes only for downward anchoring. If they are used to anchor the vehicle in any other direction, cables may slip out of the holes, possibly causing a dangerous situation.

■ **Using a flat-bed truck**



900488

This is the best way to transport your vehicle. Use the following procedures to ensure safe transportation.

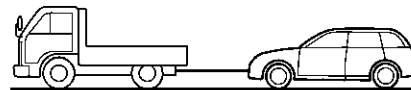
1. Shift the select lever into the "P" position.
2. Apply the parking brake firmly.

3. Secure the vehicle onto the carrier properly with safety chains. Each safety chain should be equally tightened and care must be taken not to pull the chains so tightly that the suspension bottoms out.

**⚠ CAUTION**

- If your vehicle has a bumper under guard (optional), be careful not to scrape it when placing the vehicle on the carrier and when removing the vehicle from the carrier.
- Transport by flat-bed truck may cause the headlights to become misaligned. In such a case, have the headlight alignment checked by a SUBARU dealer after transporting the vehicle by flat-bed truck.

■ **Towing with all wheels on the ground**



900489

1. Release the parking brake and put the transmission in the neutral position.
2. The ignition switch should be in the "ON" position while the vehicle is being towed.
3. Take up slack in the towline slowly to prevent damage to the vehicle.

**⚠ WARNING**

- Never turn the ignition switch to the "LOCK"/"OFF" position while the vehicle is being towed because the steering wheel and the direction of the wheels will be locked.

- Remember that the brake booster and power steering do not function when the engine is not running. Because the engine is turned off, it will take greater effort to operate the brake pedal and steering wheel.

 **CAUTION**

- If transmission failure occurs, transport your vehicle on a flat-bed truck.
- Sometime damaged vehicles cannot be towed because of their damaged condition. In that case, use a flat-bed truck for transportation.
- The traveling speed must be limited to less than 20 mph (32 km/h) and the traveling distance to less than 31 miles (50 km). For greater speeds and distances, transport your vehicle on a flat-bed truck.
- Use a flat-bed truck if there are long distance downgrades or steep slopes. However, do not apply the brake pedal for a long time because the engine braking will not work while towing. Doing

so could overheat the brake.

- Drive carefully and do not make an impact on the towing rope by suddenly starting.
- Use a specific towing rope for towing. If wire ropes and metal chains are needed to be used for towing, wrap the contact portion of the bumper with cloth to protect it from damage.

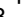
## 9-8. Access key fob – if access key fob does not operate properly

 **CAUTION**

Keep metallic objects, magnetic sources and signal transmitters away from the area between the access key fob and the push-button ignition switch. They may interfere with the communication between the access key fob and the push-button ignition switch.

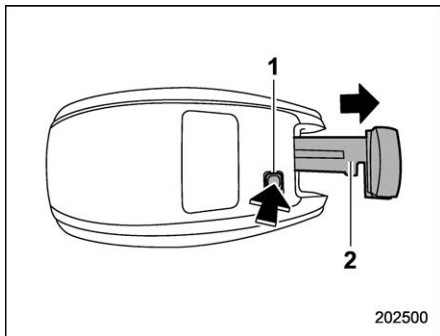
The following functions may be inoperable because of strong radio signals in the surrounding area or a low battery condition of the access key fob.

- Locking/unlocking doors (including the rear gate)
- Switching power status
- Starting engine

In such cases, perform the following procedure. When the battery of the access key fob is discharged, replace it with a new one. Refer to “Replacing battery of access key fob”  P508.

In case of emergency

## ■ Locking and unlocking



- 1) Release button
- 2) Emergency key

While pressing the release button of the access key fob, take out the emergency key.

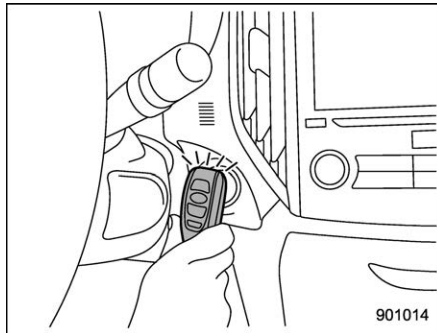
Lock or unlock the driver's door with the emergency key in the procedure described in "Locking and unlocking from the outside" P135.

## NOTE

After locking or unlocking, be sure to attach the emergency key back to the access key fob.

## ■ Switching power status

1. Apply the parking brake.
2. Shift the select lever to the "P" (Park) position.
3. Depress the brake pedal.



4. Hold the access key fob with the buttons facing you, and touch the push-button ignition switch with it.

When the communication between the access key fob and the vehicle is completed, a chime (ding) will sound. At the same time, the status of the push-button ignition switch changes to either of the following.

- When the keyless access with push-button start system is deactivated: "ACC"
- Under other conditions: "ON"

5. When the keyless access with push-button start system is deactivated, press the push-button ignition switch with the brake pedal released. The status of the push-button ignition switch then changes to "ON".

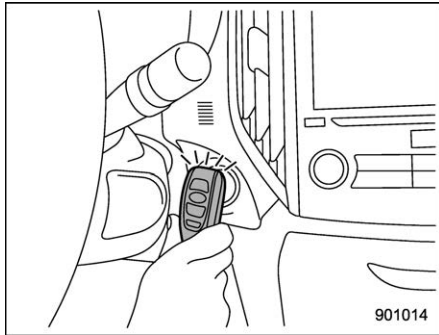
## NOTE

If the power does not switch even though the above procedure was followed precisely, contact your SUBARU dealer.

## ■ Starting engine

1. Apply the parking brake.
2. Shift the select lever to the "P" (Park) position.
3. Depress the brake pedal.





4. Hold the access key fob with the buttons facing you, and touch the push-button ignition switch with it.

When the communication between the access key fob and the vehicle is completed, a chime (ding) will sound. At the same time, the push-button ignition switch turns to the “ACC” or “ON” position.

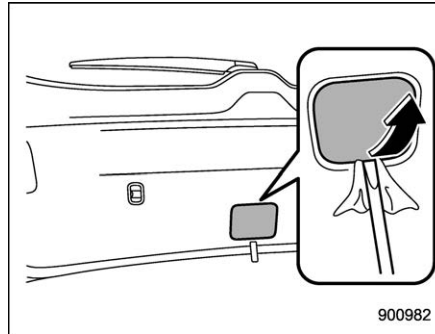
5. After the push-button ignition switch turns to the “ACC” or “ON” position, while depressing the brake pedal, press the push-button ignition switch.

**NOTE**

**If the engine does not start even though the above procedure was followed precisely, contact your SUBARU dealer.**

**9-9. Rear gate – if the rear gate cannot be opened**

In the event that you cannot open the rear gate by operating the rear gate opener button, you can open it from inside the cargo area.

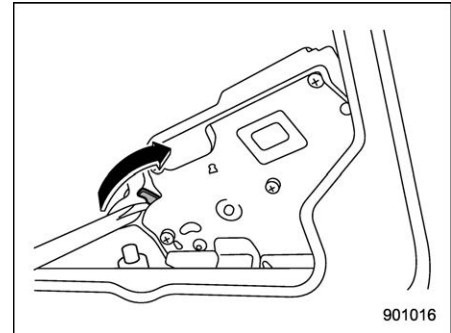


1. Remove the access cover at the bottom-center of the rear gate trim using a flat-head screwdriver wrapped with vinyl tape or a cloth.

2. Locate the rear gate open lever behind the rear gate trim.

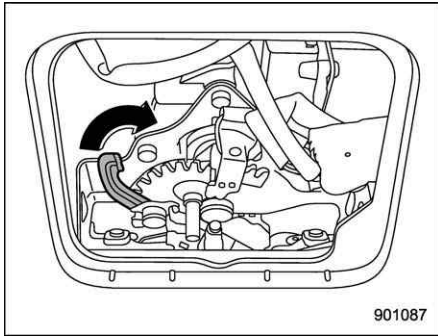
**CAUTION**

**Never operate the rear gate open lever with fingers because doing so may cause an injury. Always use a flat-head screwdriver or a similar tool.**



**Models without power rear gate**

In case of emergency



Models with power rear gate

3. To open the rear gate, turn the lever to the right position.

### 9-10. Moonroof (if equipped) – if the moonroof does not close

If the moonroof does not close, we recommend that you have the system checked by a SUBARU dealer.

### 9-11. If your vehicle is involved in an accident



**If your vehicle is involved in an accident, be sure to inspect the ground under the vehicle before restarting the engine. If you find that fuel has leaked on the ground, do not try to restart the engine. The fuel system has been damaged and is in need of repair. Immediately contact the nearest automotive service facility. We recommend that you consult your SUBARU dealer.**

Your vehicle has a fuel pump shut off system. When the vehicle sustains an impact in an accident, etc., the fuel pump shut off system stops supplying the fuel in order to minimize fuel leakage. However, depending on the impact conditions at the time of collision, the fuel pump shut-off system may not operate.

Perform the following procedures to restart the engine after the system is activated.

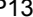
**Models without “keyless access with push-button start system”:**

1. Turn the ignition switch to the “LOCK” or “ACC” position.
2. Restart the engine.

**Models with “keyless access with push-button start system”:**

1. Turn the push-button ignition switch to the “ACC” or “OFF” position.
2. Restart the engine.

**■ Automatic door locking/unlocking operation when involved in an accident**

When the automatic door locking/unlocking function is ON, all the doors will be locked automatically while driving. For further details, refer to “Automatic door locking/unlocking” .

When the vehicle sustains a strong impact which may trigger the airbags to deploy, the door locks may be unlocked automatically to enable emergency escape. Generally, an impact sustained from a rear end collision does not trigger the airbags to deploy. However if the impact is strong enough to deploy the airbags, it can also trigger the unlocking function.

Under such circumstance, the automatic

door unlocking function will be suspended and the doors will remain unlocked.

Confirm the safety of the surroundings first and carry out the following to retrieve the automatic door locking/unlocking function.

**Models without “keyless access with push-button start system”:**

1. Turn the ignition switch to the “LOCK” position.
2. Turn the ignition switch to the “ON” position.

**Models with “keyless access with push-button start system”:**

1. Turn the push-button ignition switch to the “OFF” position.
2. Turn the push-button ignition switch to the “ON” position.

**NOTE**

**Depending on the severity of the impact, the emergency unlocking may not function.**

**CAUTION**

**If the following occur, there may be a malfunction in the system.**

**Have the system inspected by a SUBARU dealer.**

- The doors unlock automatically while driving.
- With all doors shut, the doors unlock when pressing the lock side of the power door locking switch.
- The automatic door locking/unlocking function does not operate.



<b>10-1. Exterior care</b> .....	<b>458</b>
Washing .....	458
Waxing and polishing .....	459
Cleaning alloy wheels .....	460
Cleaning Tire (Vehicle with White Letter Tires) ....	460
<b>10-2. Corrosion protection</b> .....	<b>460</b>
Most common causes of corrosion .....	460
To help prevent corrosion .....	461

<b>10-3. Cleaning the interior</b> .....	<b>461</b>
Seat fabric .....	461
Leather seat materials .....	462
Synthetic leather upholstery.....	462
Water repellent seat material (if equipped) .....	462
Seatbelt .....	462
Climate control panel, audio panel, instrument panel, console panel, and switches .....	462
Monitor .....	463

## 10-1. Exterior care

### ■ Washing

#### CAUTION

- When washing the vehicle, the brakes may get wet. As a result, the brake stopping distance will be longer. To dry the brakes, drive the vehicle at a safe speed while lightly depressing the brake pedal to heat up the brakes.
- Do not wash the engine compartment and area adjacent to it. If water enters the engine air intake or electrical parts, it will cause engine trouble or a malfunction of electrical equipment.
- When washing inner fenders, underbody, bumpers and protruding objects such as exhaust pipes and exhaust finishers, be careful to prevent injuries from contacting sharp ends.
- Do not use any organic solvents when washing the surface of the bulb assembly cover. However, if a detergent with organic solvents is used to wash the cover surface, completely rinse off the detergent with water. Otherwise,

the cover surface may be damaged.

- Since your vehicle is equipped with a rear wiper, automatic car-wash brushes could become tangled around it, damaging the wiper arm and other components. Ask the automatic car-wash operator not to let the brushes touch the wiper arm or to fix the wiper arm on the rear window glass with adhesive tape before operating the machine.

#### NOTE

- When having your vehicle washed in an automatic car wash, make sure beforehand that the car wash is of suitable type.
- The rear view camera lens has a hard coating to help prevent scratches. However, when washing the vehicle or cleaning the camera lens, be careful not to scratch the camera lens. Do not use a washing brush directly on the camera lens. The image quality of the rear view camera may deteriorate.

The best way to preserve your vehicle's beauty is frequent washing. Wash the vehicle at least once a month to avoid contamination by road grime.

Wash dirt off with a wet sponge and plenty of lukewarm or cold water. Do not wash the vehicle with hot water and in direct sunlight.

Salt, chemicals, insects, tar, soot, tree sap, and bird droppings should be washed off using a light detergent, as required. If you use a light detergent, make certain that it is a neutral detergent. Do not use strong soap or chemical detergents. All cleaning agents should be promptly flushed from the surface and not allowed to dry there. Rinse the vehicle thoroughly with plenty of lukewarm water. Wipe the remaining water off with a chamois or soft cloth. Wear rubber gloves and use a hand brush when washing down underbody, inner fenders and suspension to effectively remove mud and dirt off.

#### ▼ Washing the underbody

Chemicals, salts and gravel used for deicing road surfaces are extremely corrosive, accelerating the corrosion of underbody components, such as the exhaust system, fuel and brake lines, brake cables, floor pan and fenders, and suspension.

Thoroughly flush the underbody and inside of the fenders with lukewarm or cold water at frequent intervals to reduce the harmful effects of such agents.

Mud and sand adhering to the underbody components may accelerate their corrosion.

After driving off-road or on muddy or sandy roads, wash the mud and sand off the underbody. Carefully flush the suspension and axle parts, as they are particularly prone to mud and sand buildup. Do not use a sharp-edged tool to remove caked mud.



### CAUTION

- **Be careful not to damage brake hoses, sensor harnesses, and other parts when washing suspension components.**
- **Be careful not to flush the engine bottom for a long time. It may cause damage of some electrical parts.**

#### ▼ Using a warm water washer

- Keep a good distance of 12 in (30 cm) or more between the washer nozzle and the vehicle.
- Do not wash the same area continuously.
- If a stain will not come out easily, wash by hand. Some warm water washers are of the high temperature, high pressure type, and they can damage or deform the resin parts such as moldings, or cause water to

leak into the vehicle.

### ■ Waxing and polishing

Always wash and dry the vehicle before waxing and polishing.

Use a good quality polish and wax and apply them according to the manufacturer's instructions. Wax or polish when the painted surface is cool.

Be sure to polish and wax the chrome trim, as well as the painted surfaces. Loss of wax on a painted surface leads to loss of the original luster and also quickens the deterioration of the surface. It is recommended that a coat of wax be applied at least once a month, or whenever the surface no longer repels water.

If the appearance of the paint has diminished to the point where the luster or tone cannot be restored, lightly polish the surface with a fine-grained compound. Never polish just the affected area, but include the surrounding area as well. Always polish in only one direction. A No. 2000 grain compound is recommended. Never use a coarse-grained compound. Coarse-grained compounds have a smaller grain-size number and could damage the paint. After polishing with a compound, coat with wax to restore the original luster. Frequent polishing with a compound or an incorrect

polishing technique will result in removing the paint layer and exposing the undercoat. When in doubt, it is always best to contact your SUBARU dealer or an auto paint specialist.



### CAUTION

**Do not use any agents with organic solvents on the surface of the bulb assembly cover. However, if a polish or wax with organic solvents is applied to the cover surface, completely wipe off the polish or wax. Otherwise, the cover surface may be damaged.**

### NOTE

- **Be careful not to block the windshield washer nozzles with wax when waxing the vehicle.**
- **Do not wipe the rear view camera with alcohol, benzene or paint thinner. Otherwise, discoloration may occur. To remove contamination, wipe the camera with a cloth moistened with diluted neutral detergent and then wipe it with a soft, dry cloth.**
- **When waxing the vehicle, be careful not to apply the wax to the rear view camera. If it comes in contact with the camera, moisten a clean cloth with**

diluted neutral detergent to remove the wax.

● For Subaru Forester Wilderness models, if wax gets onto the hood decal when you are waxing your vehicle, this could enhance the reflective appearance of the hood decal and impair the antireflective function.

## ■ Cleaning alloy wheels

### ▼ Vehicles without matte painted wheels

- Promptly wipe the alloy wheels clean of any kind of grime or agent. If dirt is left on too long, it may be difficult to clean off.
- Do not use soap containing grit to clean the wheels. Be sure to use a neutral cleaning agent, and later rinse thoroughly with water. Do not clean the wheels with a stiff brush or expose them to a high-speed washing device.
- Clean the vehicle (including the alloy wheels) with water as soon as possible when it has been splashed with sea water, exposed to sea breezes, or driven on roads treated with salt or other agents.

### ▼ Vehicles with matte painted wheels



#### CAUTION

**Be sure to observe the following precautions as matte painted wheels can be damaged.**

- Do not scrub or polish the wheels using a brush or dry cloth.
- Do not use any wheel coatings or abrasive detergents.

As matte painted wheels require different cleaning methods than conventional alloy wheels, be sure to observe the following. For details, consult your SUBARU dealer.

- Remove dirt using water. If the wheels are excessively dirty, use a sponge or soft cloth dampened with a diluted neutral detergent to remove the dirt.

## ■ Cleaning Tire (Vehicle with White Letter Tires)

It is recommended to clean the white letter part on the side of the tire frequently because it easily gets dirty. When cleaning, use a neutral detergent and wash with a sponge.

## 10-2. Corrosion protection

Your SUBARU has been designed and built to resist corrosion. Special materials and protective finishes have been used on most parts of the vehicle to help maintain fine appearance, strength, and reliable operation.

## ■ Most common causes of corrosion

The most common causes of corrosion are:

- The accumulation of moisture retaining dirt and debris in body panel sections, cavities, and other areas.
- Damage to paint and other protective coatings caused by gravel and stone chips or minor accidents.

Corrosion is accelerated on the vehicle when:

- It is exposed to road salt or dust control chemicals, or used in coastal areas where there is more salt in the air, or in areas where there is considerable industrial pollution.
- It is driven in areas of high humidity, especially when temperatures range just above freezing.



- Dampness in certain parts of the vehicle remains for a long time, even though other parts of the vehicle may be dry.
- High temperatures will cause corrosion to parts of the vehicle which cannot dry quickly due to lack of proper ventilation.

### ■ To help prevent corrosion

Wash the vehicle regularly to prevent corrosion of the body and suspension components. Also, wash the vehicle promptly after driving on any of the following surfaces.

- Roads that have been salted to prevent them from freezing in winter
- Mud, sand, or gravel
- Coastal roads

After the winter has ended, it is recommended that the underbody be given a very thorough washing.

Before the beginning of winter, check the condition of underbody components, such as the exhaust system, fuel and brake lines, brake cables, suspension, steering system, floor pan, and fenders. If any of them are found to be rusted, they should be given an appropriate rust prevention treatment or should be replaced. Contact your SUBARU dealer to perform this kind

of maintenance and treatment if you need assistance.

Repair chips and scratches in the paint as soon as you find them.

Check the interior of the vehicle for water and dirt accumulation under the floor mats because that could cause corrosion. Occasionally check under the mats to make sure the area is dry.

Keep your garage dry. Do not park your vehicle in a damp, poorly ventilated garage. In such a garage, corrosion can be caused by dampness. If you wash the vehicle in the garage or put the vehicle into the garage when wet or covered with snow, that can cause dampness.

If your vehicle is operated in cold weather and/or in areas where road salts and other corrosive materials are used, the door hinges and locks, rear gate lock, and hood latch should be inspected and lubricated periodically.

## 10-3. Cleaning the interior

Use a soft, damp cloth to clean the climate control panel, audio equipment, instrument panel, center console, combination meter panel, and switches. (Do not use organic solvents.)



### CAUTION

**Do not use sharp instruments or window cleaner containing abrasives to clean the inner surface of the rear window. They may damage the conductors printed on the window.**

### ■ Seat fabric

Remove loose dirt, dust or debris with a vacuum cleaner. If the dirt is caked on the fabric or hard to remove with a vacuum cleaner, use a soft brush then vacuum it. Wipe the fabric surface with a tightly wrung cloth and dry the seat fabric thoroughly. If the fabric is still dirty, wipe using a solution of mild soap and lukewarm water then dry thoroughly.

If the stain does not come out, try a commercially-available fabric cleaner. Use the cleaner on a hidden place and

make sure it does not affect the fabric adversely. Use the cleaner according to its instructions.



**CAUTION**

**When cleaning the seat, do not use benzine, paint thinner, or any similar materials. Doing so could damage the surface and cause the color to deteriorate.**

■ **Leather seat materials**

The leather used by SUBARU is a high quality natural product which will retain its distinctive appearance and feel for many years with proper care.

Allowing dust or road dirt to build up on the surface can cause the material to become brittle and to wear prematurely. Regular cleaning with a soft, moist, natural fiber cloth should be performed monthly, taking care not to soak the leather or allow water to penetrate the stitched seams.

A mild detergent suitable for cleaning woolen fabrics may be used to remove difficult dirt spots, rubbing with a soft, dry cloth afterwards to restore the luster. If your SUBARU is to be parked for a long time in bright sunlight, it is recommended that the seats and head restraints be

covered, or the windows shaded, to prevent fading or shrinkage.

Minor surface blemishes or bald patches may be treated with a commercial leather spray lacquer. You will discover that each leather seat section will develop soft folds or wrinkles, which is characteristic of genuine leather.

■ **Synthetic leather upholstery**

The synthetic leather material used on the SUBARU may be cleaned using mild soap or detergent and water, after first vacuuming or brushing away loose dirt. Allow the soap to soak in for a few minutes and wipe off with a clean, damp cloth. Commercial foam-type cleaners suitable for synthetic leather materials may be used when necessary.



**CAUTION**

**Strong cleaning agents such as solvents, paint thinners, window cleaner or fuel must never be used on leather or synthetic interior materials. Doing so could damage the surface and cause the color to deteriorate.**

■ **Water repellent seat material (if equipped)**

The water repellency of the seat fabric will decrease over time. Do not apply additional water repellent coating.

■ **Seatbelt**

For details about how to clean the seatbelt, refer to "Seatbelt maintenance" P58.

■ **Climate control panel, audio panel, instrument panel, console panel, and switches**

Use a soft, damp cloth to clean the climate control panel, audio equipment, instrument panel, center console, combination meter panel, and switches.



**CAUTION**

- **Do not use organic solvents such as paint thinners or fuel, or strong cleaning agents that contain those solvents. Doing so could damage the surface and cause the color to deteriorate.**
- **Do not use chemical solvents that contain silicone on the vehicle audio system, electrical components of the air-conditioner or any switches. If silicone adheres**

to these parts, it may cause damage to electrical components.

## ■ Monitor

To clean the audio/navigation/multi-function display monitor, wipe it with a silicone cloth or with a soft cloth. If the monitor is extremely dirty, clean it with a soft cloth moistened with neutral detergent then carefully wipe off any remaining detergent.



### CAUTION

- Do not spray neutral detergent directly onto the monitor. Doing so could damage the monitor's components.
- Do not wipe the monitor with a hard cloth. Doing so could scratch the monitor.
- Do not use cleaning fluid that contains thinner, fuel, or any other volatile substance. Such cleaning fluid could erase the lettering on the switches at the bottom of the monitor.



- 11-1. Maintenance schedule ..... 467
- 11-2. Maintenance precautions ..... 467
  - Before checking or servicing in the engine compartment ..... 468
  - When checking or servicing in the engine compartment ..... 469
  - When checking or servicing in the engine compartment while the engine is running..... 469
- 11-3. Maintenance tips ..... 469
  - Removing and reinstalling clips ..... 469
- 11-4. Engine hood ..... 471
- 11-5. Engine compartment overview ..... 473
- 11-6. Engine oil..... 474
  - Engine oil consumption ..... 474
  - Locations of the oil level gauge, oil filler cap and oil filter ..... 474
  - Checking the oil level ..... 474
  - Changing the oil and oil filter..... 475
  - Recommended grade and viscosity..... 476
  - Synthetic oil ..... 476
- 11-7. Cooling system ..... 476
  - Safety precautions..... 476
  - Cooling fan, hose and connections ..... 477
  - Engine coolant ..... 477
- 11-8. Air cleaner element..... 478
  - Replacing the air cleaner element ..... 479
- 11-9. Spark plugs ..... 480
  - Recommended spark plugs..... 480
- 11-10. Drive belts ..... 480

- 11-11. Continuously variable transmission fluid .....480
- 11-12. Front differential gear oil and rear differential gear oil.....481
  - Recommended grade and viscosity ..... 481
- 11-13. Brake fluid.....481
  - Checking the fluid level..... 481
  - Recommended brake fluid..... 482
- 11-14. Vacuum brake booster (models with the vacuum brake booster) .....482
- 11-15. Brake pedal .....482
- 11-16. Replacement of brake pad .....483
  - Breaking-in of new brake pads ..... 483
- 11-17. Tires and wheels.....483
  - Types of tires ..... 483
  - Tire pressure monitoring system (TPMS) (U.S.-spec. models) ..... 484
  - Tire inspection ..... 485
  - Tire pressures and wear ..... 486
  - Wheel balance..... 487
  - Wear indicators..... 488
  - Rotational direction of tires ..... 489
  - Tire rotation ..... 489
  - Tire replacement ..... 490
  - Wheel replacement..... 491
- 11-18. Alloy wheels.....491
- 11-19. Windshield washer fluid.....492
  - Adding the windshield washer fluid ..... 492
  - Windshield washer fluid ..... 492

*Maintenance and service*

---

<b>11-20. Replacement of wiper blades.....</b>	<b>493</b>
Windshield wiper blade assembly .....	494
Windshield wiper blade rubber.....	495
Rear window wiper blade assembly .....	496
Rear window wiper blade rubber.....	497
<b>11-21. Battery .....</b>	<b>498</b>
<b>11-22. Fuses .....</b>	<b>499</b>
<b>11-23. Installation of accessories .....</b>	<b>501</b>
<b>11-24. Replacing bulbs .....</b>	<b>501</b>
Headlights .....	502
Front turn signal light .....	502
Front side marker lights (if equipped) .....	503

Front fog light (if equipped).....	503
Rear turn signal lights.....	503
Backup light.....	505
Vanity mirror light .....	506
Door step light .....	506
Cargo area light .....	506
Other bulbs.....	507
Adjusting headlight aim .....	507
<b>11-25. Replacing key battery .....</b>	<b>508</b>
Safety precautions .....	508
Replacing battery of access key fob .....	508
Replacing transmitter battery .....	509

## 11-1. Maintenance schedule

### U.S. models

The scheduled maintenance items required to be serviced at regular intervals are shown in the “Warranty and Maintenance Booklet”. For details, read the separate “Warranty and Maintenance Booklet”.


### Canada models

The scheduled maintenance items required to be serviced at regular intervals are shown in the “Warranty and Service Booklet”. For details, read the separate “Warranty and Service Booklet”.

### Except for U.S. and Canada models

Some items of your vehicle are required to be serviced at scheduled intervals. For details about your maintenance schedule, read the separate “Warranty and Maintenance Booklet”.

### NOTE

For models with a multi-function display (color LCD), you can set a reminder to be displayed when a scheduled maintenance item is almost due. For details, refer to “Maintenance settings”  P230.

## 11-2. Maintenance precautions

When maintenance and service are required, it is recommended that all work be done by an authorized SUBARU dealer.

If you perform maintenance and service by yourself, you should familiarize yourself with the information provided in this section on general maintenance and service for your SUBARU.

Incorrect or incomplete service could cause improper or unsafe vehicle operation. Any problems caused by improper maintenance and service performed by you are not eligible for warranty coverage.



### WARNING

- **Always select a safe area when performing maintenance on your vehicle.**
- **Always be very careful to avoid injury when working on the vehicle. Remember that some of the materials in the vehicle may be hazardous if improperly used or handled, for example, battery acid.**

- **Your vehicle should only be serviced by persons fully competent to do so. Serious personal injury may result to persons not experienced in servicing vehicles.**
- **Always use the proper tools and make certain that they are well maintained.**
- **Never get under the vehicle supported only by a jack. Always use safety stands to support the vehicle.**
- **Never keep the engine running in a poorly ventilated area, such as a garage or other closed areas.**
- **Do not smoke or allow open flames around the fuel or battery. This will cause a fire.**
- **Because the fuel system is under pressure, replacement of the fuel filter should be performed only by your SUBARU dealer.**
- **Wear adequate eye protection to guard against getting oil or fluids in your eyes. If something does get in your eyes, thoroughly wash them out with clean water.**
- **Do not tamper with the wiring of the SRS airbag system or seat-belt pretensioner system, or at-**

tempt to take its connectors apart, as this may activate the system or render it inoperative. NEVER use a circuit tester for this wiring. If your SRS airbag or seatbelt pretensioner needs service, consult your nearest SUBARU dealer.

- Check the inside of the engine compartment to see if there are any cloths and tools left. If they are left inside, they may be a cause of malfunction and fire.

## NOTE

SUBARU does not endorse the use of non-SUBARU approved flushing systems and strongly advises against performing these services on a SUBARU vehicle. Non-SUBARU approved flushing systems use chemicals and/or solvents which have not been tested or approved by SUBARU. SUBARU warranties do not cover any part of the vehicle which is damaged by adding or applying chemicals and/or solvents other than those approved or recommended by SUBARU.

## ■ Before checking or servicing in the engine compartment



### WARNING

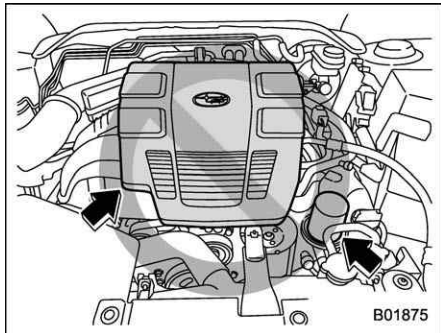
- Always stop the engine and apply the parking brake firmly to prevent the vehicle from moving.
- Always let the engine cool down. Engine parts become very hot when the engine is running and remain hot for some time after the engine has stopped.
- Do not spill engine oil, engine coolant, brake fluid or any other fluid on hot engine components. This may cause a fire.
- When the ignition switch is in the “ON” position, the cooling fan may operate suddenly even when the engine is stopped. If your body or clothes come into contact with a rotating fan, that could result in serious injury. To avoid risk of injury, perform the following precautions.
  - Models with push-button start system:  
Always turn the push-button ignition switch to the “OFF” position and confirm that the

operation indicator on the switch is turned off. Then take the access key fob out from the vehicle.

- Models without push-button start system:  
Always remove the key from the ignition switch.
- Before performing any servicing on a vehicle equipped with a remote engine start system (a dealer option), temporarily place the remote engine start system in service mode to prevent it from unexpectedly starting the engine.



## ■ When checking or servicing in the engine compartment



### ▲ CAUTION

- Do not touch the engine cover while checking the components in the engine compartment. Doing so may cause your hand to slip off the cover and result in an unexpected injury.

- Do not touch the oil filter until the engine has cooled down completely. Doing so may result in a burn or other injury. Note that the oil filter becomes very hot when the engine is running and remains hot for some time after the engine has stopped.

## ■ When checking or servicing in the engine compartment while the engine is running

### ▲ WARNING

A running engine can be dangerous. Keep your fingers, hands, clothing, hair and tools away from the cooling fan, drive belt and any other moving engine parts. Removing rings, watches and ties is advisable.

## 11-3. Maintenance tips

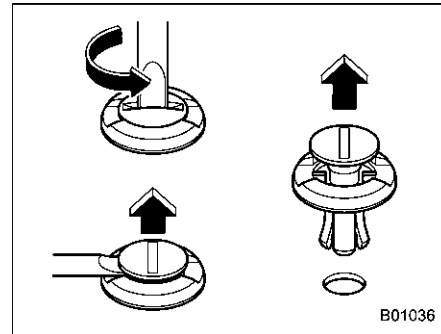
Some clips and fender linings must be removed before replacing the air cleaner elements or specific bulbs.

### ■ Removing and reinstalling clips

#### ▼ Removing clips

There are several types of clips used for your vehicle.

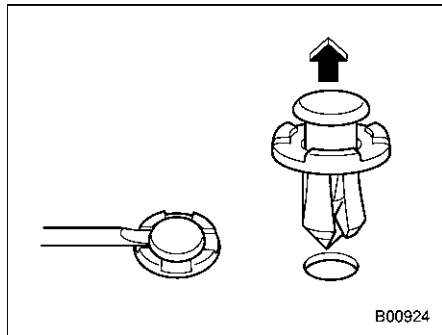
#### ▽ Type A clips



1. Turn the clips counterclockwise using a flat-head screwdriver until the center portion of the clip is raised.
2. Remove the clips with a flat-head screwdriver using leverage.

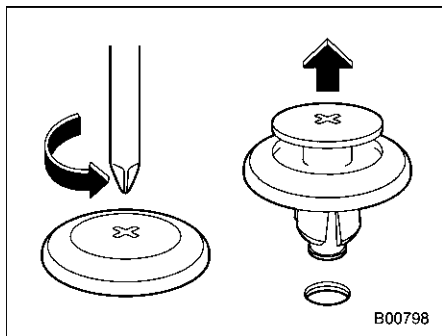
3. Remove the entire clip by pulling it up.

▽ Type B clips



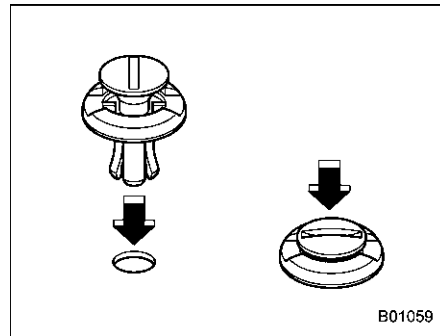
1. Pull out the center portion of the clip using a flat-head screwdriver as shown in the illustration.
2. Pull the protruded center portion to remove the entire body of the clip.

▽ Type C clips

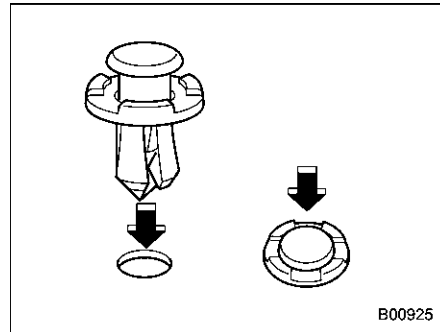


1. Turn the clip counterclockwise using a Phillips screwdriver until the center portion of the clip is raised.
2. Remove the entire clip by pulling it up.

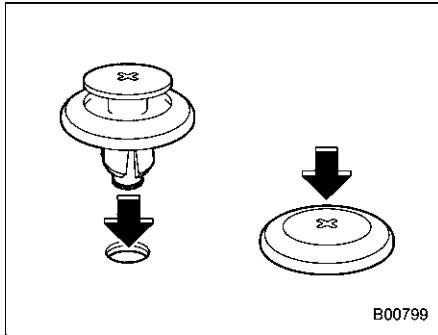
▼ Reinstalling clips



Type A clips



Type B clips



Type C clips

Insert the clip without the center portion first and then push the center portion of the clip into the hole.

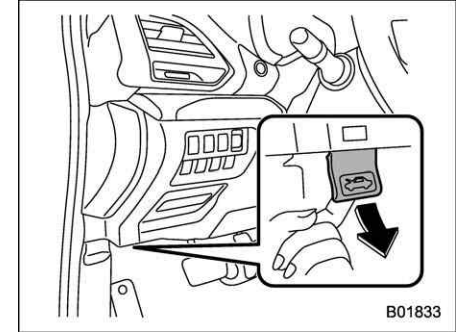
## 11-4. Engine hood

### ⚠ CAUTION

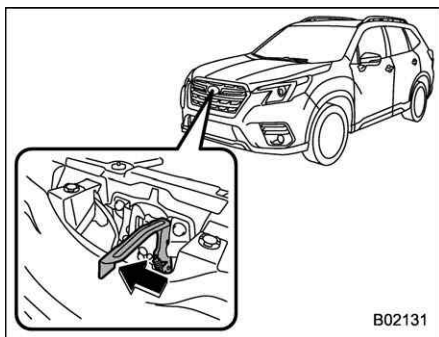
- Be extremely careful not to catch fingers or other objects when closing the engine hood.
- Do not push the hood forcibly to close it. It could deform the metal.
- Be extremely careful opening the engine hood when the wind is strong. The engine hood could close suddenly, possibly causing injuries from slamming.
- Do not install accessories other than genuine SUBARU parts to the engine hood. If the engine hood becomes too heavy, the stay may not be able to support holding it open.
- Check that the end of the hood stay is inserted into the slot. If it is not inserted properly, the hood may drop and cause injury.

### To open the hood:

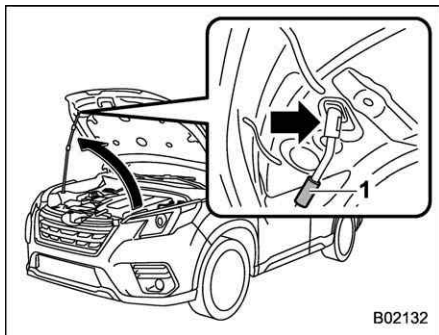
1. If the wiper blades are lifted off the windshield, return them to their original position.



2. Pull the hood release knob under the instrument panel.



3. Release the secondary hood release by moving the lever between the front grille and the hood toward the left.



1) Grip

4. Lift up the hood, release the hood prop from its retainer and put the end of the

hood prop into the slot in the hood. Hold the grip to handle the hood prop.

**To close the hood:**

1. Lift the hood slightly and remove the hood prop from the slot in the hood and return the prop to its retainer.
2. Lower the hood to a height of approximately 7.8 to 11.8 in (20 to 30 cm) above its closed position and then let it drop.
3. After closing the hood, be sure the hood is securely locked.

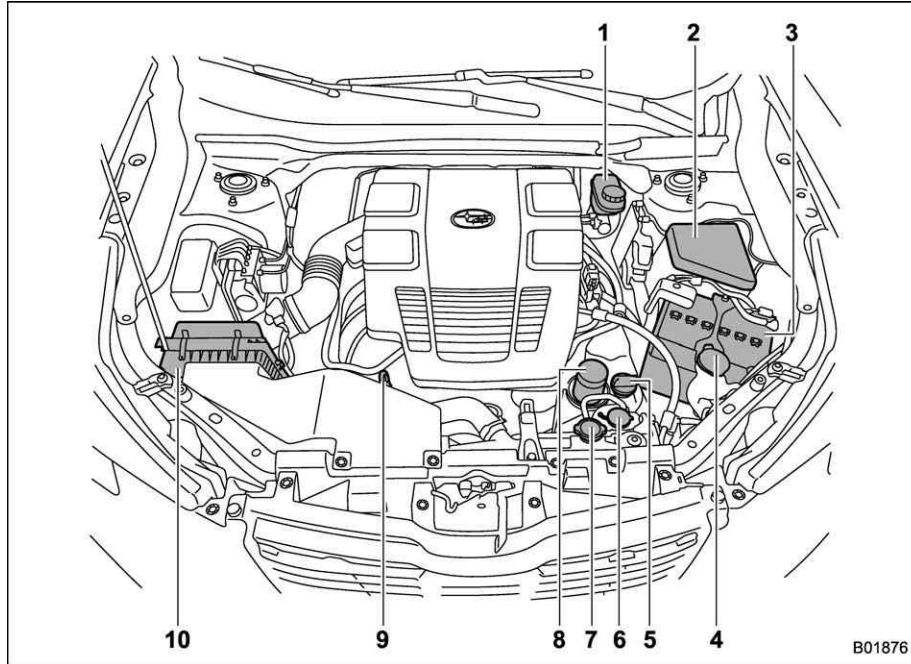
If this does not close the hood, release it from a slightly higher position.



**WARNING**

**Always check that the hood is properly locked before you start driving. If it is not, it might fly open while the vehicle is moving and block your view, which may cause an accident and serious bodily injury.**

## 11-5. Engine compartment overview



- 1) Brake fluid reservoir (page 481)
- 2) Fuse box (page 499)
- 3) Battery (page 498)
- 4) Windshield washer tank (page 492)
- 5) Engine oil filler cap (page 474)
- 6) Engine coolant reservoir (page 477)
- 7) Radiator cap (page 477)
- 8) Engine oil filter (page 475)
- 9) Engine oil level gauge (page 474)
- 10) Air cleaner case (page 478)

## 11-6. Engine oil

### CAUTION

- If the level gauge cannot be pulled out easily, twist the level gauge right and left, then gently pull it out. Otherwise, you may be injured accidentally straining yourself.
- Use only engine oil with the recommended grade and viscosity.
- Be careful not to spill engine oil when adding it. If oil touches the exhaust pipe, it may cause a bad smell, smoke, and/or a fire. If engine oil gets on the exhaust pipe, be sure to wipe it off.

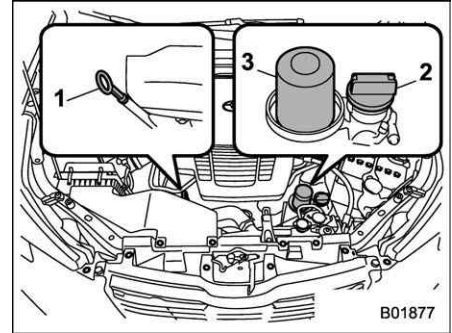
### ■ Engine oil consumption

Some engine oil will be consumed while driving. The rate of consumption can be affected by such factors as transmission type, driving style, terrain and temperature. Under the following conditions, oil consumption can be increased and may require refilling between maintenance intervals.

- When the engine is new and within the break-in period.
- When the engine oil is of lower quality.
- When the incorrect oil viscosity is used.
- When engine braking is employed (repeatedly).
- When the engine is operated at high engine speeds (for extended periods of time).
- When the engine is operated under heavy loads (for extended periods of time).
- When towing a trailer
- When the engine idles for extended periods of time.
- When the vehicle is operated in stop-and-go and/or heavy traffic situations.
- When the vehicle is used under severe thermal conditions.
- When the vehicle accelerates and decelerates frequently.

Under these or similar conditions, you should check your oil at least every 2nd fuel fill-up and change your engine oil more frequently. Different drivers in the same car may experience different results. If your oil consumption rate is greater than expected, contact your authorized SUBARU dealer who may perform a test under controlled conditions.

### ■ Locations of the oil level gauge, oil filler cap and oil filter



- 1) Oil level gauge
- 2) Oil filler cap
- 3) Oil filter

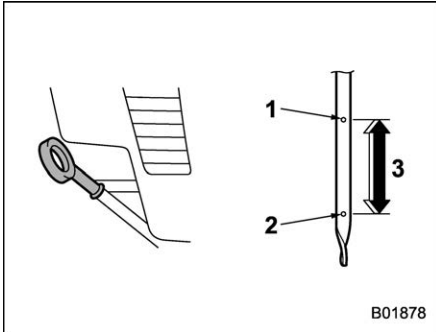
### ■ Checking the oil level

1. Park the vehicle on a level surface and turn the ignition switch to the "LOCK"/"OFF" position. If you check the oil level just after turning the ignition switch to the "LOCK"/"OFF" position, wait for at least 5 minutes for the oil to drain back into the oil pan before checking the level.

**CAUTION**

If the level gauge cannot be pulled out easily, twist the level gauge right and left, then gently pull it out. Otherwise, you may be injured accidentally straining yourself.

2. Pull out the level gauge, wipe it clean, and insert it again.
3. Be sure the level gauge is correctly inserted until it stops.



- 1) Full level
- 2) Low level
- 3) Approximately 1.1 US qt (1.0 liter, 0.9 Imp qt) from low level to full level

4. Pull out the oil level gauge again.
5. Check the oil levels on both sides of the level gauge. The engine oil level must be

judged by the lowest of the two levels. If the oil level is below the low level mark, add oil so that the full level is reached.

**CAUTION**

- Be careful not to touch the engine oil filter when removing the oil filler cap. Doing so may result in a burn, a pinched finger, or may cause some other injury.
- Use only engine oil with the recommended grade and viscosity.
- Be careful not to spill engine oil when adding it. If oil touches the exhaust pipe, it may cause a bad smell, smoke, and/or a fire. If engine oil gets on the exhaust pipe, be sure to wipe it off.

To add engine oil, remove the engine oil filler cap and slowly pour engine oil through the filler neck. After pouring oil into the engine, you must use the level gauge to confirm that the oil level is correct.

**NOTE**

- To prevent overfilling the engine oil, do not add any additional oil above the upper level when the engine is cold.

- After adding or changing the engine oil, warm up the engine and stop it on a level surface, then start the engine after a lapse of 1 minute or more. Confirm that the warning light has turned off after the engine has started. Refer to “Engine low oil level warning light” P175.

**Changing the oil and oil filter**

Change the oil and oil filter according to the maintenance schedule in the “Warranty and Maintenance Booklet”.

The engine oil and oil filter must be changed more frequently than listed in the maintenance schedule when driving on dusty roads, when short trips are frequently made, or when driving in extremely cold weather.

**NOTE**

- Changing the engine oil and oil filter should be performed by a well-trained expert. Contact your SUBARU dealer for changing the engine oil and oil filter. Fully trained mechanics are on standby at a SUBARU dealer to utilize the special tools, spare parts and recommended oil for this work, and also, used oils are properly disposed of.
- If performing oil replacement yourself, observe the local regulations and

dispose of waste oil properly.

## ■ Recommended grade and viscosity

### CAUTION

Use only engine oil with the recommended grade and viscosity.

Refer to “Engine oil” ⒸP513.

## NOTE

Engine oil viscosity (thickness) affects fuel economy. Oils of lower viscosity provide better fuel economy. However, in hot weather, oil of higher viscosity is required to properly lubricate the engine.

## ■ Synthetic oil

You should use synthetic engine oil that meets the same requirements given for conventional engine oil. When using synthetic oil, you must use oil of the same classification, viscosity and grade shown in this Owner’s Manual. Refer to “Engine oil” ⒸP513. Also, you must follow the oil and filter changing intervals shown in the “Warranty and Maintenance Booklet”.

## NOTE

Synthetic oil of the grade and viscosity noted in chapter 12 is the recommended engine oil for optimum engine performance. Conventional oil may be used if synthetic oil is unavailable.

## 11-7. Cooling system

### ■ Safety precautions

#### WARNING

Never remove the radiator cap until the engine has been shut off and has cooled down completely. Since the coolant is under pressure, you may suffer serious burns from a spray of boiling hot coolant when the cap is removed.

#### CAUTION

- Vehicles are filled at the factory with SUBARU SUPER COOLANT that does not require the first change for 11 years/137,500 miles (11 years/220,000 km). This coolant should not be mixed with any other brand or type of coolant during this period. Mixing with a different coolant will reduce the life of the coolant. When necessary to add the coolant for any reason, use only SUBARU SUPER COOLANT.

If the SUBARU SUPER COOLANT is diluted with another brand or



type, the maintenance interval is shortened to that of the mixing coolant.

- Do not splash the engine coolant over painted parts. The alcohol contained in the engine coolant may damage the paint surface.

### ■ Cooling fan, hose and connections

Your vehicle employs an electric cooling fan which is thermostatically controlled to operate when the engine coolant reaches a specific temperature.

If the radiator cooling fan does not operate even when the coolant temperature high warning light blinks or illuminates in **RED**, the cooling fan circuit may be defective. Refer to "Coolant temperature low indicator light/Coolant temperature high warning light" P174.

Check the fuse and replace it if necessary. Refer to "Fuses" P499. If the fuse is not blown, have the cooling system checked by your SUBARU dealer.

If the frequent addition of coolant is necessary between vehicle service visits, it is recommended that you have your vehicle inspected by an authorized

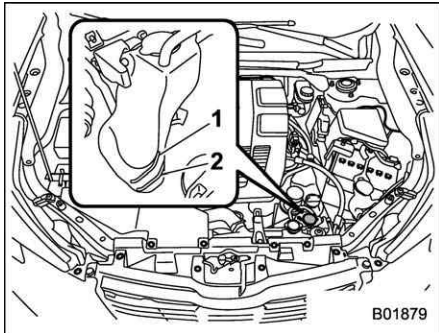
SUBARU dealer to check for leaks, damage, or looseness.

### ■ Engine coolant

#### ▼ Checking the coolant level

**▲ WARNING**

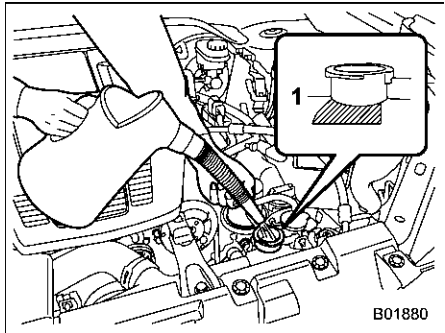
Never remove the radiator cap until the engine has been shut off and has cooled down completely. Since the coolant is under pressure, you may suffer serious burns from a spray of boiling hot coolant when the cap is removed.



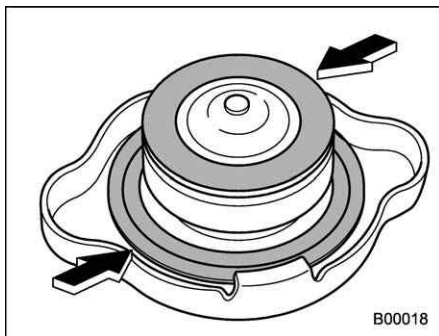
- 1) "FULL" level mark
- 2) "LOW" level mark

Check the coolant level at each fuel stop.

- Check the coolant level on the outside of the reservoir while the engine is cool.
- If the level is close to or lower than the "LOW" level mark, add coolant up to the "FULL" level mark. If the reserve tank is empty, remove the radiator cap and refill coolant up to just below the filler neck as shown in the following illustration.



- 1) Fill up to this level.



3. After refilling the reserve tank and the radiator, reinstall the cap and check that the rubber gaskets inside the radiator cap are in the proper position.

### CAUTION

- Be careful not to spill engine coolant when adding it. If coolant touches the exhaust pipe, it may cause a bad smell, smoke, and/or a fire. If engine coolant gets on the exhaust pipe, be sure to wipe it off.
- Do not splash the engine coolant over painted parts. The alcohol contained in the engine coolant may damage the paint surface.

### ▼ Changing the coolant

It may be difficult to change the coolant. Have the coolant changed by your SUBARU dealer if necessary.

The coolant should be changed according to the maintenance schedule in the "Warranty and Maintenance Booklet".

## 11-8. Air cleaner element

### WARNING

Do not operate the engine with the air cleaner element removed. The air cleaner element not only filters intake air but also stops flames if the engine backfires. If the air cleaner element is not installed when the engine backfires, you could be burned.

### CAUTION

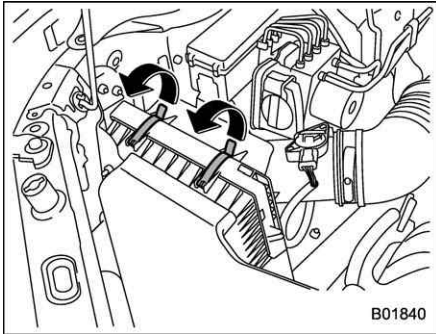
When replacing the air cleaner element, use a genuine SUBARU air cleaner element. If it is not used, it will cause a negative effect to the engine.

The air cleaner element functions as a filter screen. When the element is perforated or removed, engine wear will be excessive and engine life shortened.

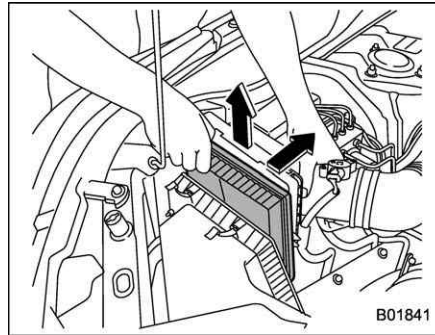
It is not necessary to clean or wash the air cleaner element.

## ■ Replacing the air cleaner element

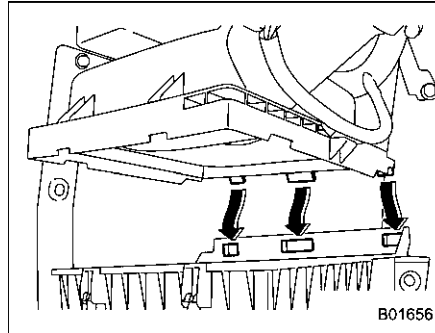
Replace the air cleaner element according to the maintenance schedule in the "Warranty and Maintenance Booklet". Under extremely dusty conditions, replace it more frequently. It is recommended that you always use genuine SUBARU parts.



1. Unsnap the two clips holding the air cleaner case (rear).
2. Open the air cleaner case and pull the cover rearward while lifting it up.



3. Remove the air cleaner element.
4. Clean the inside of the air cleaner case (both front and rear) with a damp cloth and install a new air cleaner element.



5. To install the air cleaner case (rear), insert the three projections on the air

cleaner case (rear) into the slits on the air cleaner case (front).

6. Install in the reverse order of removal.

### NOTE

Install the air cleaner element so that the surface with "UPR" printed on it faces upward.

## 11-9. Spark plugs

It may be difficult to replace the spark plugs. It is recommended that you have the spark plugs replaced by your SUBARU dealer.

The spark plugs should be replaced according to the maintenance schedule in the "Warranty and Maintenance Booklet".



### CAUTION

**Make sure the cables are replaced in the correct order.**

### ■ Recommended spark plugs

For the recommended spark plugs, refer to "Electrical system" ☞ P516.

## 11-10. Drive belts

It is unnecessary to check the deflection of the drive belt periodically because your engine is equipped with an automatic belt tension adjuster. However, replacement of the belt should be done according to the maintenance schedule in the "Warranty and Maintenance Booklet". Consult your SUBARU dealer for replacement.

If the drive belt is loose, cracked or worn, contact your SUBARU dealer.

## 11-11. Continuously variable transmission fluid

It is not necessary to check the transmission fluid level. Check that there are no cracks, damage or leakage. However, the fluid inspection should be performed according to the maintenance schedule in the "Warranty and Maintenance Booklet". Consult your SUBARU dealer for details.

## 11-12. Front differential gear oil and rear differential gear oil

It is not necessary to check the gear oil level. Check that there are no cracks, damage or leakage. However, the oil inspection should be performed according to the maintenance schedule in the “Warranty and Maintenance Booklet”. Consult your SUBARU dealer for details.

### ■ Recommended grade and viscosity

Each oil manufacturer has its own base oils and additives. Never use different brands together. For details, refer to “Front differential and rear differential gear oil” P515.

#### CAUTION

Using a differential gear oil other than the specified oil may cause a decline in vehicle performance.

## 11-13. Brake fluid

### ■ Checking the fluid level

#### WARNING

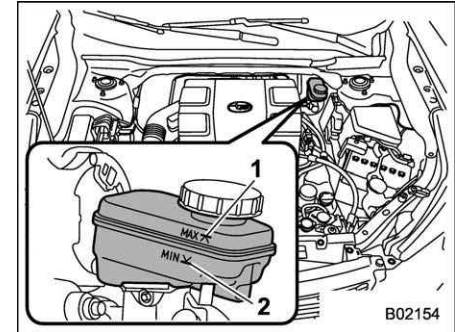
- Never let brake fluid contact your eyes because brake fluid can be harmful to your eyes. If brake fluid gets in your eyes, immediately flush them thoroughly with clean water. For safety, when performing this work, wearing eye protection is advisable.
- Brake fluid absorbs moisture from the air. Any absorbed moisture can cause a dangerous loss of braking performance.
- If the vehicle requires frequent refilling, there may be a leak. If you suspect a problem, have the vehicle checked at your SUBARU dealer.

#### CAUTION

- When adding brake fluid, be careful not to allow any dirt into the reservoir.
- Never splash the brake fluid over painted surfaces or rubber parts.

Alcohol contained in the brake fluid may damage them.

- Be careful not to spill brake fluid when adding it. If brake fluid touches the exhaust pipe, it may cause a bad smell, smoke, and/or a fire. If brake fluid gets on the exhaust pipe, be sure to wipe it off.



- 1) “MAX” level line
- 2) “MIN” level line

Check the fluid level monthly.

Check the fluid level on the outside of the reservoir. Be sure to check the fluid level for the brake system at the shaded area in the illustration.

If the fluid level is below “MIN”, add the recommended brake fluid to “MAX”. Use only brake fluid from a sealed container.

### ■ Recommended brake fluid

Refer to “Fluids” ⓄP516.



**CAUTION**

**Never use different brands of brake fluid together. Also, avoid mixing DOT 3 and DOT 4 brake fluids even if they are the same brand.**

## **11-14. Vacuum brake booster (models with the vacuum brake booster)**

---

The brake booster utilizes the vacuum produced by the engine manifold to reduce the force required to depress the brake pedal.

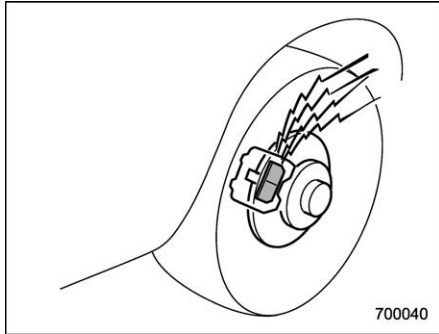
The vacuum in the brake booster may be insufficient if the brake pedal is depressed when the engine is stopped or after the vehicle has been parked for a long period of time. In such cases, it is necessary to depress the brake pedal using greater force than usual.

## **11-15. Brake pedal**

---

Check the brake pedal free play and reserve distance according to the maintenance schedule in the “Warranty and Maintenance Booklet”.

## 11-16. Replacement of brake pad



The disc brakes have audible wear indicators on the brake pads. If the brake pads wear close to their service limit, the wear indicator makes a very audible scraping noise when the brake pedal is applied.

If you hear this scraping noise each time you apply the brake pedal, have the brake pads serviced by your SUBARU dealer as soon as possible.

### ⚠ CAUTION

If you continue to drive despite the scraping noise from the audible brake pad wear indicator, it will result in the need for costly brake rotor repair or replacement.

### ■ Breaking-in of new brake pads

When replacing the brake pad, use only genuine SUBARU parts. After replacement, the new parts must be broken in. Contact your SUBARU dealer for details.

## 11-17. Tires and wheels

### ■ Types of tires

You should be familiar with the type of tires present on your vehicle.

#### ▼ All season tires

All season tires are designed to provide an adequate measure of traction, handling and braking performance in year-round driving including snowy and icy road conditions. However, all season tires do not offer as much traction performance as winter (snow) tires in heavy or loose snow or on icy roads.

All season tires are identified by "ALL SEASON" and/or "M+S" (Mud & Snow) on the tire sidewall.

#### ▼ Summer tires

Summer tires are high-speed capability tires best suited for highway driving under dry conditions.

Summer tires are inadequate for driving on slippery roads such as on snow-covered or icy roads.

If you drive your vehicle on snow-covered or icy roads, we strongly recommend the use of winter (snow) tires.

When installing winter tires, be sure to replace all four tires.

### ▼ Winter (snow) tires

Winter tires are best suited for driving on snow-covered and icy roads. However, winter tires do not perform as well as summer tires and all season tires on roads other than snow-covered and icy roads.

### ■ Tire pressure monitoring system (TPMS) (U.S.-spec. models)

The tire pressure monitoring system provides the driver with a warning message by sending a signal from a sensor that is installed in each wheel when tire pressure is severely low. The tire pressure monitoring system will activate only when the vehicle is driven. Also, this system may not react immediately to a sudden drop in tire pressure (for example, a blow-out caused by running over a sharp object).

If you adjust the tire pressures in a warm garage and will then drive the vehicle in cold outside air, the resulting drop in tire pressures may cause the low tire pressure warning light to illuminate. To avoid this problem when adjusting the tire pressures in a warm garage, inflate the tires to pressures higher than those shown on the tire inflation pressure label. Specifically, inflate them by an extra 1 psi (6.9 kPa, 0.07 kgf/cm<sup>2</sup>) for every difference of

10°F (5.6°C) between the temperature in the garage and the temperature outside. By way of example, the following table shows the required tire pressures that correspond to various outside temperatures when the temperature in the garage is 60°F (15.6°C).

#### Example:

Tire size: 225/60R17 99H

Standard tire pressures:

Front: 33 psi (230 kPa, 2.3 kgf/cm<sup>2</sup>)

Rear: 32 psi (220 kPa, 2.2 kgf/cm<sup>2</sup>)

Garage temperature: 60°F (15.6°C)

Outside temperature	Adjusted pressure [psi (kPa, kgf/cm <sup>2</sup> )]	
	Front	Rear
30°F (-1°C)	36 (250, 2.5)	35 (240, 2.4)
10°F (-12°C)	38 (265, 2.65)	37 (255, 2.55)
-10°F (-23°C)	41 (280, 2.8)	39 (270, 2.7)

If the low tire pressure warning light illuminates when you drive the vehicle in cold outside air after adjusting the tire pressures in a warm garage, re-adjust the tire pressures using the method described above. Then, increase the vehicle speed to at least 20 mph (32 km/h) and check to see that the low tire pressure warning light

turns off a few minutes later. If the low tire pressure warning light does not turn off, the tire pressure monitoring system may not be functioning normally. In this event, go to a SUBARU dealer to have the system inspected as soon as possible.

While the vehicle is driven, friction between tires and the road surface causes the tires to warm up. After illumination of the low tire pressure warning light, any increase in the tire pressures caused by an increase in the outside air temperature or by an increase in the temperature in the tires can cause the low tire pressure warning light to turn off.

System resetting is necessary when the wheels are changed (for example, a switch to snow tires) and new TPMS valves are installed on the newly fitted wheels. Have this work performed by a SUBARU dealer following wheel replacement.

It may not be possible to install TPMS valves on certain wheels that are on the market. Therefore, if you change the wheels (for example, a switch to snow tires), use wheels that have the same part number as the standard-equipment wheels. Without four operational TPMS valve/sensors on the wheels, the TPMS will not fully function and the warning light on the combination meter will illuminate



steadily after blinking for approximately 1 minute.

When a tire is replaced, adjustments are necessary to ensure continued normal operation of the tire pressure monitoring system. Therefore, as with wheel replacement, you should have the work performed by a SUBARU dealer.



### WARNING

If the low tire pressure warning light does not illuminate briefly after the ignition switch is turned ON or the light illuminates steadily after blinking for approximately 1 minute, you should have your tire pressure monitoring system checked at a SUBARU dealer as soon as possible.

If this light illuminates while driving, never brake suddenly and keep driving straight ahead while gradually reducing speed. Then slowly pull off the road to a safe place. Otherwise, an accident involving serious vehicle damage and serious personal injury could occur.

If this light still illuminates while driving after adjusting the tire pressure, a tire may have significant damage and a fast leak that causes

the tire to lose air rapidly. If you have a flat tire, replace it with a spare tire as soon as possible.

When a spare tire is mounted or a wheel rim is replaced without the original pressure sensor/transmitter being transferred, the low tire pressure warning light will illuminate steadily after blinking for approximately 1 minute. This indicates the TPMS is unable to monitor all four road wheels. Contact your SUBARU dealer as soon as possible for tire and sensor replacement and/or system resetting. If the light illuminates steadily after blinking for approximately 1 minute, promptly contact a SUBARU dealer to have the system inspected.

## ■ Tire inspection

Check on a daily basis that the tires are free from serious damage, nails, and stones. At the same time, check the tires for abnormal wear.

Contact your SUBARU dealer immediately if you find any problems.

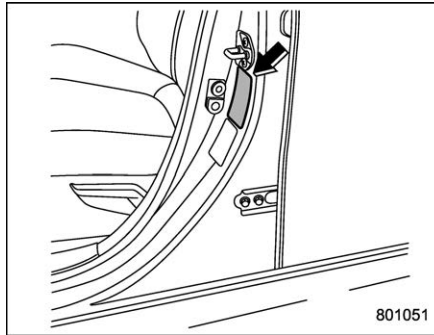
### NOTE

- When the wheels and tires strike curbs or are subjected to harsh treatment as when the vehicle is driven on a rough surface, they can suffer damage that cannot be seen with the naked eye. This type of damage does not become evident until time has passed. Try not to drive over curbs, potholes or on other rough surfaces. If doing so is unavoidable, keep the vehicle's speed down to a walking pace or less, and approach the curbs as squarely as possible. Also, make sure the tires are not pressed against the curb when you park the vehicle.

- If you feel unusual vibration while driving or find it difficult to steer the vehicle in a straight line, one of the tires and/or wheels may be damaged. Drive slowly to the nearest authorized SUBARU dealer and have the vehicle inspected.

### ■ Tire pressures and wear

Maintaining the correct tire pressures helps to maximize the tires' service lives and is essential for good running performance. Check and, if necessary, adjust the pressure of each tire and the spare (if equipped) at least once a month and before any long journey.



#### Tire inflation pressure label

Check the tire pressures when the tires are cold. Use a pressure gauge to adjust the tire pressures to the values shown on the tire inflation pressure label. The tire inflation pressure label is located on the door pillar on the driver's side.

Driving even a short distance warms up the tires and increases the tire pressures. Also, the tire pressures are affected by the outside temperature. It is best to check tire pressure outdoors before driving the vehicle.

When a tire becomes warm, the air inside it expands, causing the tire pressure to increase. Be careful not to mistakenly release air from a warm tire to reduce its pressure.

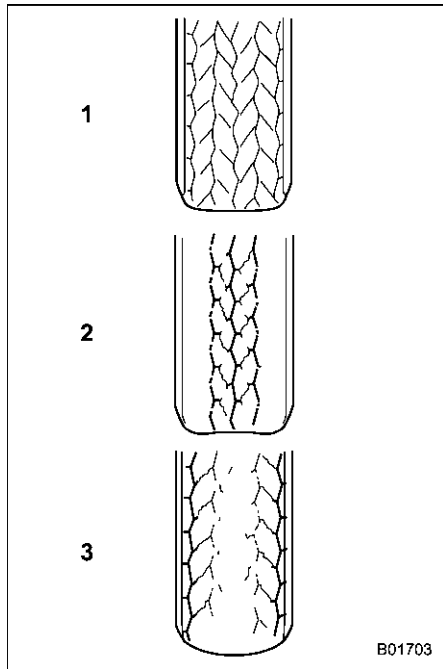
#### NOTE

- The air pressure in a tire increases by approximately 4.3 psi (30 kPa, 0.3 kgf/cm<sup>2</sup>) when the tire becomes warm.
- The tires are considered cold when the vehicle has been parked for at least three hours or has been driven less than 1 mile (1.6 km).

 **WARNING**

**Do not let air out of warm tires to adjust pressure. Doing so will result in low tire pressure.**

Incorrect tire pressures detract from controllability and ride comfort, and they cause the tires to wear abnormally.



- 1) Correct tire pressure (tread worn evenly)  
Roadholding is good, and steering is responsive. Rolling resistance is low, so fuel consumption is also lower.

- 2) Under inflated tire (tread worn on shoulders)  
Rolling resistance is high, so fuel consumption is also higher.
- 3) Over inflated (tread worn in the center)  
Ride comfort is poor. Also, the tire magnifies the effects of road-surface bumps and dips, possibly resulting in vehicle damage.

If the tire inflation pressure label shows tire pressures for the vehicle when fully loaded, adjust the tire pressures to the values that match the loading conditions.

**▲ WARNING**

**Driving at high speeds with excessively low tire pressures can cause the tires to deform severely and to rapidly heat up. A sharp increase in temperature could cause tread separation and destruction of the tires. The resulting loss of**

**vehicle control could lead to an accident.**

**■ Wheel balance**

Each wheel was correctly balanced when your vehicle was new, but the wheels will become unbalanced as the tires become worn during use. Wheel imbalance causes the steering wheel to vibrate slightly at certain vehicle speeds and detracts from the vehicle's straight-line stability. It can also cause steering and suspension system problems and abnormal tire wear. If you suspect that the wheels are not correctly balanced, have them checked and adjusted by your SUBARU dealer. Also have them adjusted after tire repairs and after tire rotation.

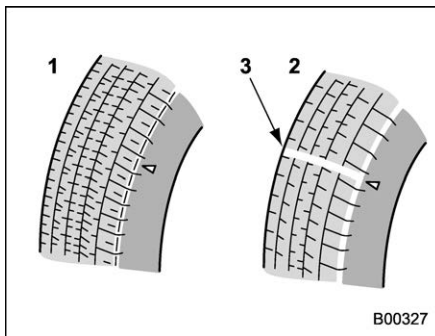
Maintenance and service

**CAUTION**

Loss of correct wheel alignment causes the tires to wear on one side and reduces the vehicle's running stability. Contact your SUBARU dealer if you notice abnormal tire wear.

**NOTE**

The suspension system is designed to hold each wheel at a certain alignment (relative to the other wheels and to the road) for optimum straight-line stability and cornering performance.

**■ Wear indicators**

- 1) New tread
- 2) Worn tread
- 3) Tread wear indicator

Each tire incorporates a tread wear indicator, which becomes visible when the depth of the tread grooves decreases to 0.063 in (1.6 mm). A tire must be replaced when the tread wear indicator appears as a solid band across the tread.

**WARNING**

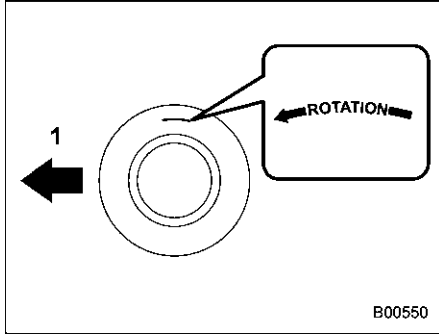
When a tire's tread wear indicator becomes visible, the tire

is worn beyond the acceptable limit and must be replaced immediately. With a tire in this condition, driving at high speeds in wet weather can cause the vehicle to hydroplane. The resulting loss of vehicle control can lead to an accident.

**NOTE**

For safety, inspect tire tread regularly and replace the tires before their tread wear indicators become visible.

■ Rotational direction of tires



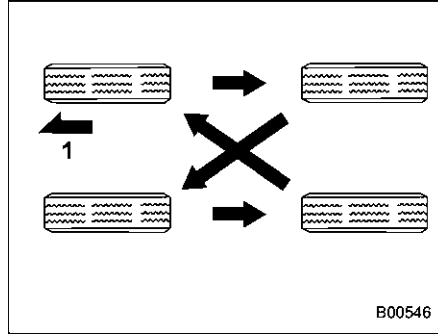
**Example of rotational direction marked on the sidewall**

1) Front

If the tires have specific rotational direction, refer to the arrow marked on the side wall.

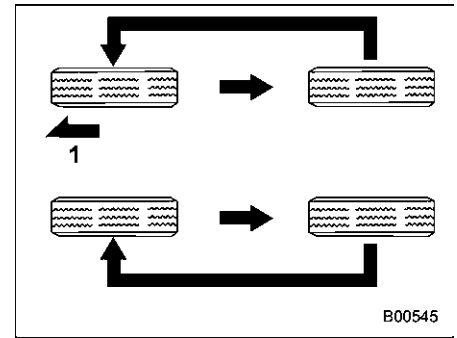
The arrow should be pointing forward direction when the wheels are fitted.

■ Tire rotation



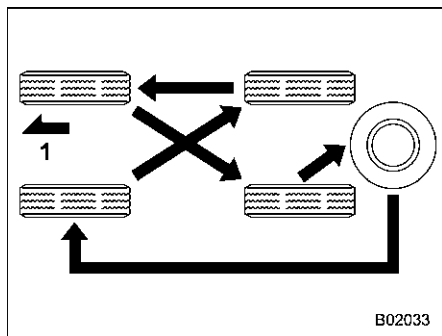
**Vehicles equipped with 4 non-unidirectional tires**

1) Front



**Vehicles equipped with unidirectional tires**

1) Front



### Models with a spare tire of the same wheel type as the installed tires

#### 1) Front

### NOTE

In prior to carrying out a tire rotation, check the side wall of the tires and confirm the following.

- All 5 tires are the same in brand and tread pattern.
- The rotational directions and sizes match.

Tire wear varies from wheel to wheel. Move the tires to the posi-

tions shown in the illustration each time they are rotated. For the tire rotation schedule, refer to the “Warranty and Maintenance Booklet”.

Replace any damaged or unevenly worn tires at the time of rotation. After tire rotation, adjust the tire pressures and make sure the wheel nuts are correctly tightened.

After driving approximately 600 miles (1,000 km), check the wheel nuts again and retighten any nut that has become loose.

For handling alloy wheels, refer to “Alloy wheels” P491.

### ■ Tire replacement

The wheels and tires are important and integral parts of your vehicle’s design; they cannot be changed arbitrarily. The tires fitted as standard equipment are optimally matched to the characteristics of the vehicle and were selected to give the best possible combination of running performance, ride comfort, and service life. It is essential for every tire to have a size and construction matching those shown on the tire inflation pressure label and to have a

speed symbol and load index matching those shown on the tire inflation pressure label.

Using tires of a non-specified size detracts from controllability, ride comfort, braking performance, speedometer accuracy and odometer accuracy. It also creates incorrect body-to-tire clearances and inappropriately changes the vehicle’s ground clearance.

All four tires must be the same in terms of manufacturer, brand (tread pattern), construction, and size. You are advised to replace the tires with new ones that are identical to those fitted as standard equipment.

For safe vehicle operation, SUBARU recommends replacing all four tires at the same time.



### WARNING

- When replacing or installing tire(s), all four tires must be the same for following items.
  - (a) Size
  - (b) Speed symbol
  - (c) Load index
  - (d) Circumference
  - (e) Construction

- (f) Manufacturer
- (g) Brand (tread pattern)
- (h) Degree of wear

For items (a) to (c), you must obey the specification that is printed on the tire inflation pressure label. The tire inflation pressure label is located on the driver's door pillar.

If all the four tires are not the same for items (a) to (h), serious mechanical damage could be caused to the drivetrain of the car, and affect the followings.

- Ride
- Handling
- Braking
- Speedometer/Odometer calibration
- Clearance between the body and tires

It also may be dangerous and lead to loss of vehicle control, and it can lead to an accident.

- Use only radial tires. Do not use radial tires together with belted bias tires and/or bias-ply tires. Doing so can dangerously reduce controllability, resulting in

an accident.

### ■ Wheel replacement

When replacing wheels due, for example, to damage, make sure the replacement wheels match the specifications of the wheels that are fitted as standard equipment. Replacement wheels are available at your SUBARU dealer.



#### WARNING

Use only those wheels that are specified for your vehicle. Wheels not meeting specifications could interfere with brake caliper operation and may cause the tires to rub against the wheel well housing during turns. The resulting loss of vehicle control could lead to an accident.

### NOTE

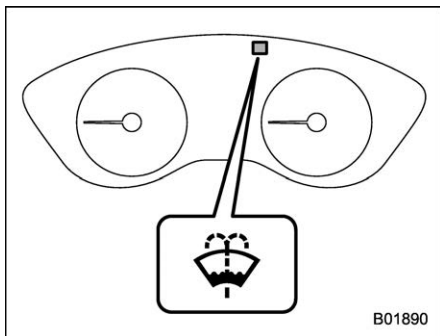
When any of the wheels are removed and replaced for tire rotation or for any other reason, always check the tightness of the wheel nuts after driving approximately 600 miles (1,000 km). If any nut is loose, tighten it to the specified torque.

## 11-18. Alloy wheels

Alloy wheels can be scratched and damaged easily. Handle them carefully to maintain their appearance, performance, and safety.

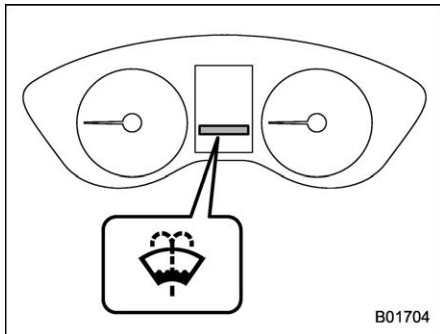
- When any of the wheels are removed and replaced for tire rotation or to change a flat tire, always check the tightness of the wheel nuts after driving approximately 600 miles (1,000 km). If any nut is loose, tighten it to the specified torque.
- Never apply oil to the threaded parts, wheel nuts, or tapered surface of the wheel.
- Never let the wheel rub against sharp protrusions or curbs.
- When wheel nuts, balance weights, or the center cap are replaced, be sure to replace them with genuine SUBARU parts designed for alloy wheels.
- When stacking and storing removed tires, place shock-absorbing material between the tires to protect the wheels from becoming scratched.

## 11-19. Windshield washer fluid



B01890

Type A combination meter



B01704

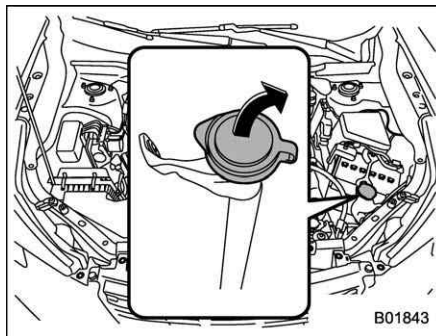
Type B combination meter

When there is only a small amount of washer fluid remaining, the windshield washer fluid warning light will illuminate. When this occurs, refill the washer fluid.

### ■ Adding the windshield washer fluid

#### ⚠ CAUTION

**Never use engine coolant as washer fluid because it could cause paint damage.**



B01843

Remove the washer tank filler cap, then add windshield washer fluid.

### ■ Windshield washer fluid

Use windshield washer fluid. If windshield washer fluid is unavailable, use clean water.

In areas where water freezes in winter, use an anti-freeze type windshield washer fluid.

If you fill the reservoir tank with a fluid with a different concentration from the one used previously, purge the old fluid from the piping between the reservoir tank and washer nozzles by operating the washer for a certain period of time. Otherwise, if the concentration of the fluid remaining in the piping is too low for the outside temperature, it may freeze and block the nozzles.

#### ⚠ CAUTION

- **Adjust the washer fluid concentration appropriately for the outside temperature. If the concentration is inappropriate, sprayed washer fluid may freeze on the windshield and obstruct your view, and the fluid may freeze in the reservoir tank.**
- **State or local regulations on volatile organic compounds may restrict the use of methanol, a common windshield washer anti-**



freeze additive. Washer fluids containing non-methanol anti-freeze agents should be used only if they provide cold weather protection without damaging your vehicle's paint, wiper blades or washer system.

## 11-20. Replacement of wiper blades

Grease, wax, insects, or other material on the windshield or the wiper blade results in jerky wiper operation and streaking on the glass. If you cannot remove the streaks after operating the windshield washer or if the wiper operation is jerky, clean the outer surface of the windshield (or rear window) and the wiper blades using a sponge or soft cloth with a neutral detergent or mild-abrasive cleaner. After cleaning, rinse the windshield and wiper blades with clean water. The windshield is clean if beads do not form when you rinse the windshield with water.

### CAUTION

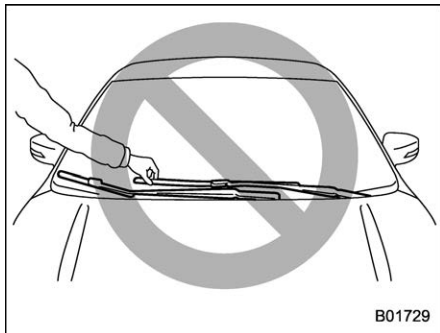
- Do not clean the wiper blades with gasoline or a solvent, such as paint thinner or benzine. This will cause deterioration of the wiper blades.
- While removing the wiper blades from the wiper arms, do not return the wiper arms to the original positions. Otherwise, the windshield surface may be scratched.

- When returning the raised wiper arms to the original positions, carefully return the wiper arms on the windshield by hand. You should not return the wiper arms to the windshield only by the return spring. Otherwise, the wiper arms may be deformed and/or the windshield surface may be scratched.
- When you are going to raise the passenger-side wiper arm, first raise the driver-side wiper arm. Otherwise, the passenger-side wiper assembly and driver-side wiper assembly will touch each other, possibly resulting in scratches.
- Return the passenger-side wiper arm to its original position before returning the driver-side wiper arm to its original position. Otherwise, the passenger-side wiper assembly and driver-side wiper assembly will touch each other, possibly resulting in scratches.

If you cannot eliminate the streaking even after following this method, replace the wiper blades using the following procedures.

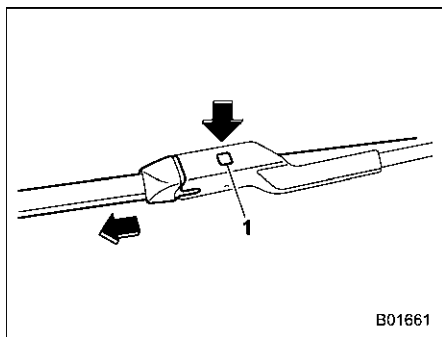
## ■ Windshield wiper blade assembly

1. Raise the wiper arm off the windshield.



### CAUTION

Hold the wiper arm when replacing the wiper blade. Holding the wiper blade, may result in blade deformation.

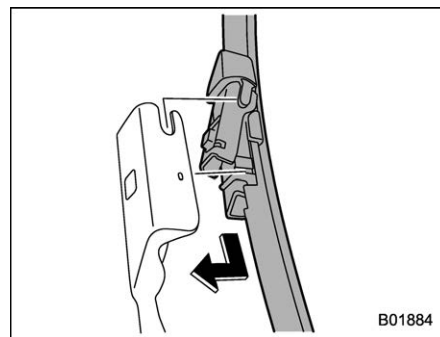


- 1) Lock knob

2. Hold the wiper blade connection by hand, push the lock knob to release the lock, and then pull out the wiper blade assembly.

### NOTE

Do not use a hard object to push the lock knob. The lock knob may be scratched.

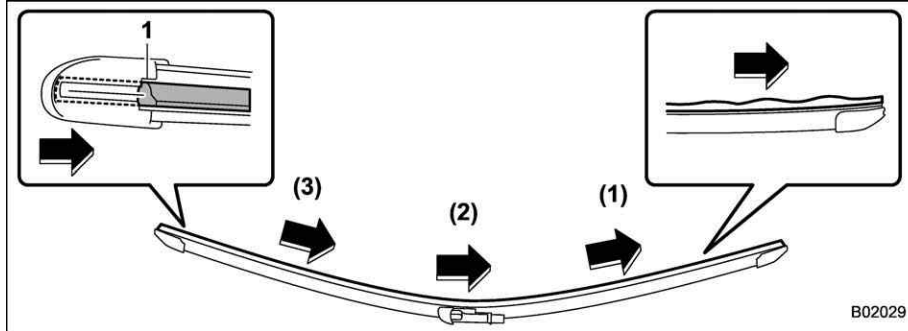


3. When installing the wiper blade assembly, align it with the wiper arm connection part and then slide it in the opposite direction of removal to install. After installing the wiper blade assembly, check that the connection part is locked completely.

4. Hold the wiper arm by hand and slowly lower it in position.

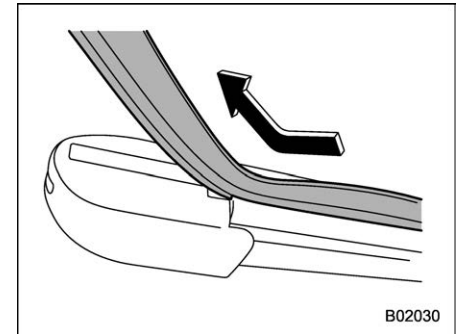
## ■ Windshield wiper blade rubber

Replace the wiper blade rubber according to the following procedure.

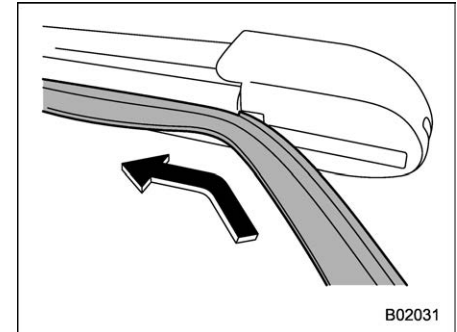


### 1) Slit

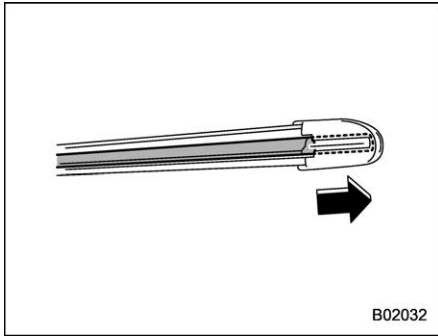
1. Pull the wiper blade rubber from the right side in the order of (1), (2) and (3) until the slit on the wiper blade can be seen in position.



2. Pull the end of the wiper blade rubber through the slit to remove it.



3. Insert a new wiper blade rubber into the slit. Do not insert the wiper blade rubber into the wrong slit.



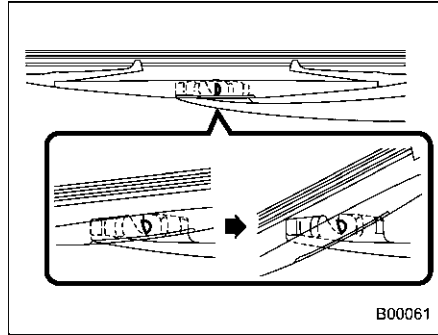
4. Insert the wiper blade rubber into the slit, then return to the tip of the position.
5. Check that the wiper blade rubber is fixed properly. If wiper blade rubbers are not attached properly, they may scratch the windshield.
6. Attach the wiper blade.

### NOTE

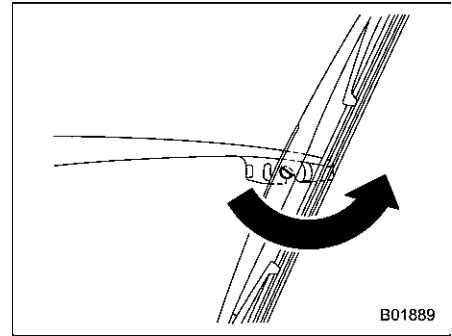
It may be difficult to perform the wiper blade rubber replacement. We recommend that you contact your SUBARU dealer for wiper blade rubber replacement if necessary.

### ■ Rear window wiper blade assembly

1. Raise the wiper arm off the rear window.

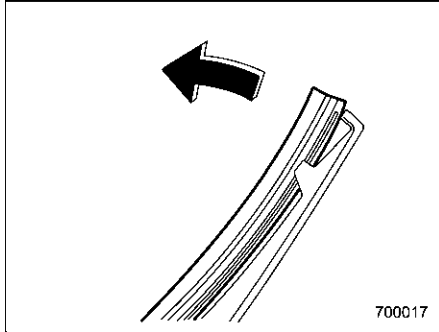


2. Turn the wiper blade assembly counterclockwise.

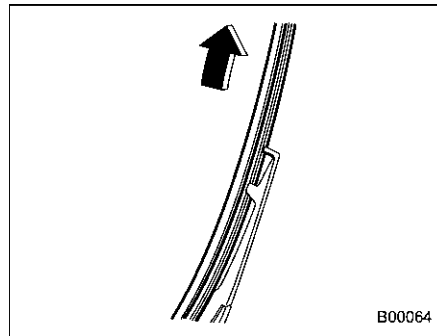


3. Pull the wiper blade assembly toward you to remove it from the wiper arm.
4. Install the wiper blade assembly to the wiper arm. Make sure that it locks in place.
5. Hold the wiper arm by hand and slowly lower it in position.

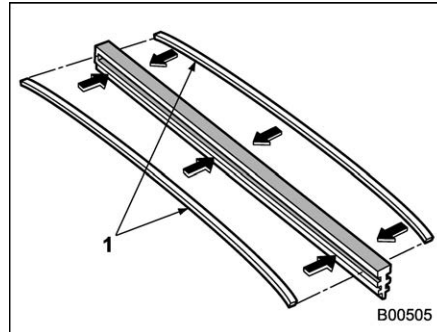
■ Rear window wiper blade rubber



1. Pull out the end of the blade rubber assembly to unlock it from the plastic support.



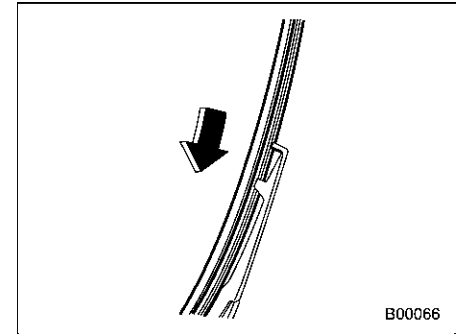
2. Pull the blade rubber assembly out of the plastic support.



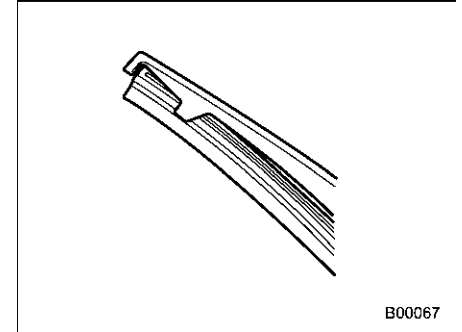
1) Metal spines

3. If the new blade rubber is not provided with two metal spines, remove the metal spines from the old blade rubber and install

them in the new blade rubber.



4. Align the claws of the plastic support with the grooves in the blade rubber assembly, then slide the blade rubber assembly into place.



Securely retain both ends of the rubber

with the stoppers on the plastic support ends. If the rubber is not retained properly, the wiper may scratch the rear window glass.

5. Install the wiper blade assembly to the wiper arm. Make sure that it locks in place.

6. Hold the wiper arm by hand and slowly lower it in position.

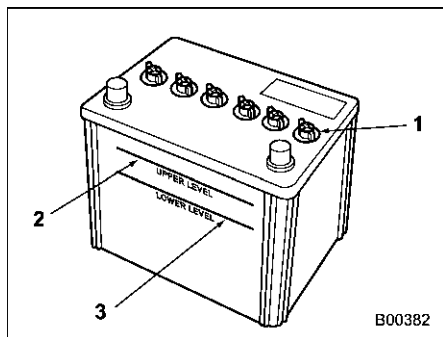
## 11-21. Battery

### WARNING

- **Before beginning work on or near any battery, be sure to extinguish all cigarettes, matches, and lighters. Never expose a battery to an open flame or electric sparks. Batteries give off a gas which is highly flammable and explosive.**
- **For safety, in case an explosion does occur, wear eye protection or shield your eyes when working near any battery. Never lean over a battery.**
- **Do not let battery fluid contact eyes, skin, fabrics, or paint because battery fluid is a corrosive acid. If battery fluid gets on your skin or in your eyes, immediately flush the area with water thoroughly. Seek medical help immediately if acid has entered the eyes.**

**If battery fluid is accidentally swallowed, immediately drink a large amount of milk or water, and seek medical attention immediately.**

- **To lessen the risk of sparks, remove rings, metal watchbands, and other metal jewelry. Never allow metal tools to contact the positive battery terminal and anything connected to it WHILE you are at the same time in contact with any other metallic portion of the vehicle because a short circuit will result.**
- **Keep everyone including children away from the battery.**
- **Charge the battery in a well-ventilated area.**
- **Battery posts, terminals and related accessories contain lead and lead compounds, chemicals known to the State of California to cause cancer and reproductive harm. Batteries also contain other chemicals known to the State of California to cause cancer. *Wash hands after handling.***



- 1) Cap
- 2) Upper level
- 3) Lower level

It is unnecessary to periodically check the battery fluid level or periodically refill with distilled water.

However, if the battery fluid level is below the lower level, remove the cap. Fill to the upper level with distilled water.

**CAUTION**

**Never use more than 10 A when charging the battery because it will shorten battery life.**

It is unnecessary to periodically check the battery fluid level or periodically refill with distilled water.

**For “STARLINK Safety and Security without navigation system”:**

When the vehicle battery is discharged or replaced, the audio unit needs to be paired with a smartphone via bluetooth for some settings. For details about how to pair, refer to the separate navigation/audio Owner’s Manual.

## 11-22. Fuses

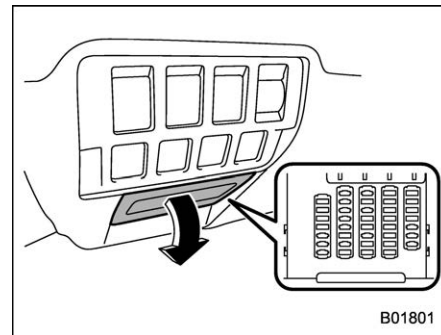
**CAUTION**

**Never replace a fuse with one having a higher rating or with material other than a fuse because serious damage or a fire could result.**

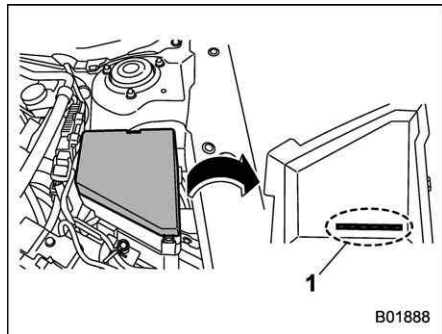
### NOTE

**Fuse rating and using circuit are described on each behind the fuse box cover.**

The fuses are designed to melt during an overload to prevent damage to the wiring harness and electrical equipment. The fuses are located in two fuse boxes.

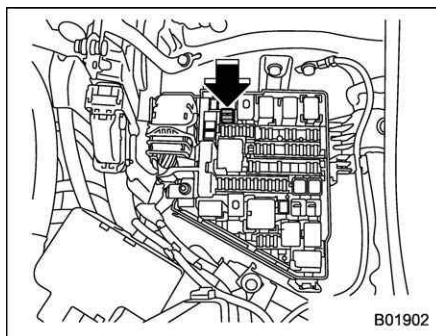


One is located under the instrument panel behind the fuse box cover on the driver's seat side. To remove the cover, pull it out.



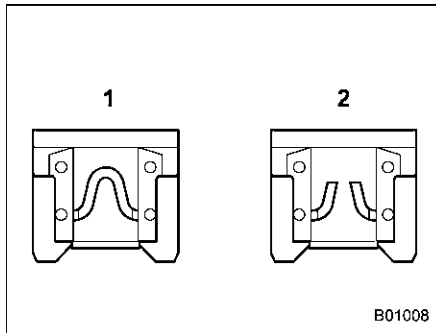
1) Spare fuses

The other one (main fuse box) is housed in the engine compartment. Also, the spare fuses are stored in the fuse box cover.



The fuse puller is stored in the main fuse box in the engine compartment.

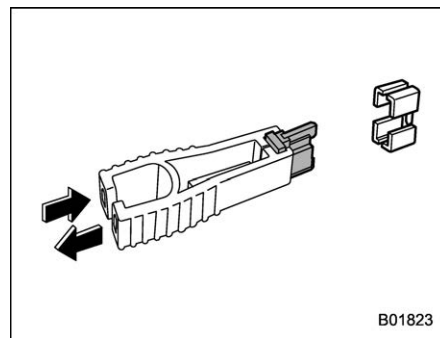
Pinch the upper part of the fuse puller when removing it from the main fuse box.



1) Good  
2) Blown

If any lights, accessories or other electrical controls do not operate, inspect the corresponding fuse. If a fuse has blown, replace it.

1. Turn the ignition switch to the "LOCK"/"OFF" position and turn off all electrical accessories.
2. Remove the cover.
3. Determine which fuse may be blown. Look at the back side of each fuse box cover.



4. Pull out the fuse with the fuse puller.
5. Inspect the fuse. If it has blown, replace it with a spare fuse of the same rating.
6. If the same fuse blows again, this indicates that its system has a problem. Contact your SUBARU dealer for repairs.



## 11-23. Installation of accessories

Always consult your SUBARU dealer before installing fog lights or any other electrical equipment in your vehicle. Such accessories may cause the electronic system to malfunction if they are incorrectly installed or if they are not suited for the vehicle.

## 11-24. Replacing bulbs

It may be difficult to replace the bulbs. We recommend that you have the bulb replaced by your SUBARU dealer if necessary.



### WARNING

Bulbs may become very hot while illuminated. Before replacing bulbs, turn off the lights and wait until the bulbs cool down. Otherwise, there is a risk of sustaining a burn.



### CAUTION

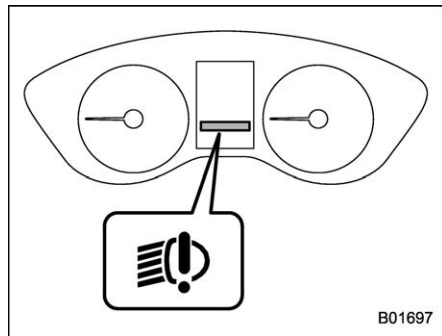
- Replace any bulb only with a new bulb of the specified wattage. Using a bulb of different wattage could result in a fire. For the specified wattage of each bulb, refer to “Bulb chart” P519.
- Do not touch the glass portion of the light bulb with bare hands. When holding the glass portion is unavoidable, hold it using with a clean dry cloth to avoid getting moisture and grease on the bulb. If there is any fingerprints or grease on the bulb surface, wipe

them away with a soft cloth moistened with alcohol. Also, if the bulb is scratched or dropped, it may blow out or crack.

### NOTE

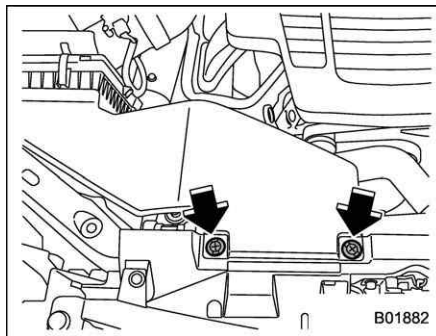
For models with type B combination meter, if SRH is malfunctioning, the SRH OFF indicator appears on the combination meter when the ignition switch is in the “ON” position. It indicates that SRH has been deactivated. Contact a SUBARU dealer for an inspection.

## ■ Headlights



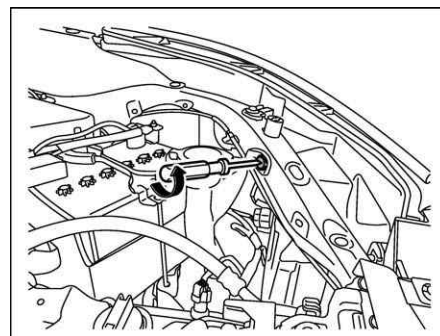
The LED headlight warning light illuminates if the LED headlights malfunction. Have your vehicle inspected at a SUBARU dealer as soon as possible.

## ■ Front turn signal light



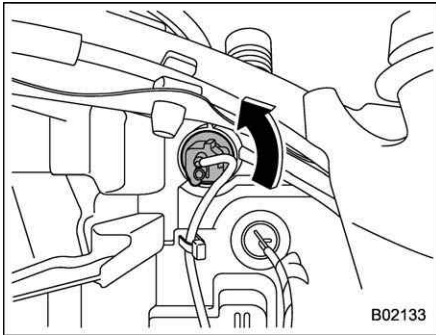
### Right-hand side

1. Use a screwdriver to remove the clips on the air intake duct, then remove the duct.



### Left-hand side

2. Use a screwdriver to remove the secured clip of the washer tank. To make it easy to access the bulb, turn the neck of the washer fluid filler pipe as illustrated.



3. Disconnect the electrical connector from the bulb and remove the bulb from the headlight assembly by turning it counterclockwise.

4. Replace the bulb. At this time, use care not to touch the bulb surface.

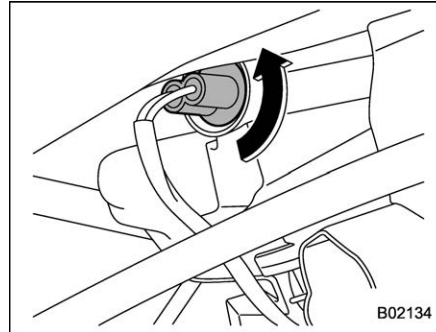
5. To install the bulb to the headlight assembly, turn it clockwise until it clicks.

6. Reconnect the electrical connector.

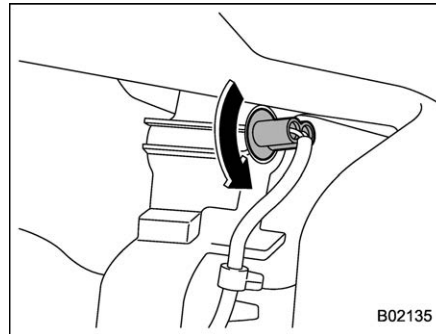
7. Put the air intake duct with the clips (right-hand side).

8. Set the washer fluid filler pipe to the original place and secure it with the clips (left-hand side).

■ **Front side marker lights (if equipped)**



**Left-hand side**



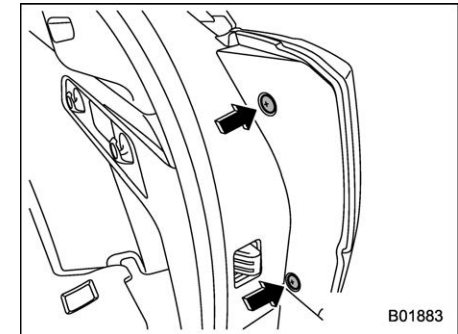
**Right-hand side**

1. Turn the socket counterclockwise and pull it out.
2. Pull out the bulb from the socket and replace the bulb with a new one.

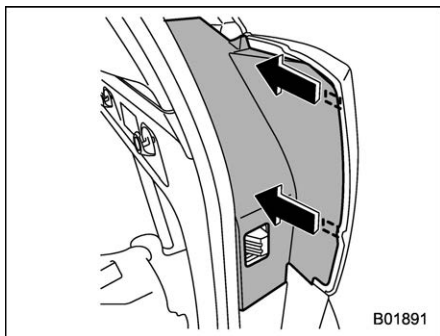
■ **Front fog light (if equipped)**

It may be difficult to replace the bulbs. Have the bulbs replaced by your SUBARU dealer if necessary.

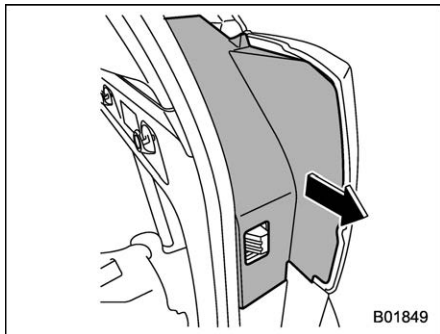
■ **Rear turn signal lights**



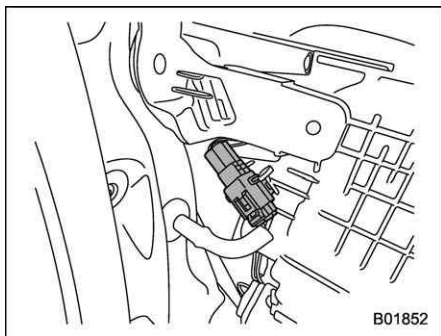
1. Use a screwdriver to remove the secured clips of the covers.



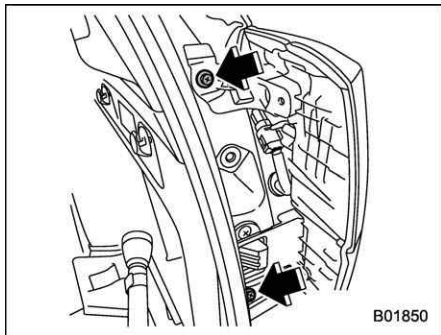
2. Push and move the cover to the forward to unlock the 2 tabs.



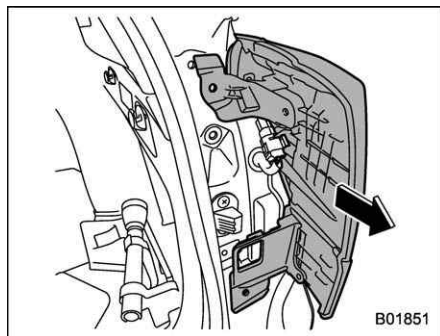
3. When unlocked, pull out the covers.



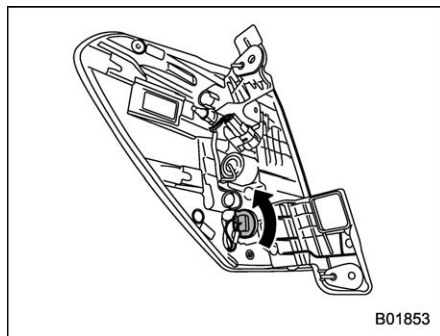
4. Disconnect the electrical connector.



5. Using a Phillips screwdriver, remove the screws that secure the rear combination light assembly.

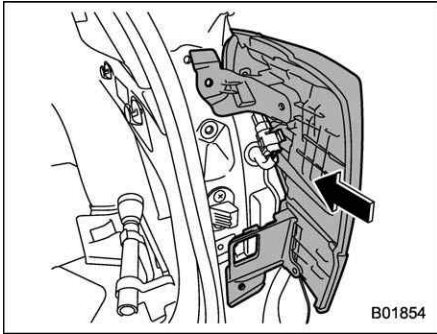


6. Slide the rear combination light assembly rearward to remove it from the vehicle.

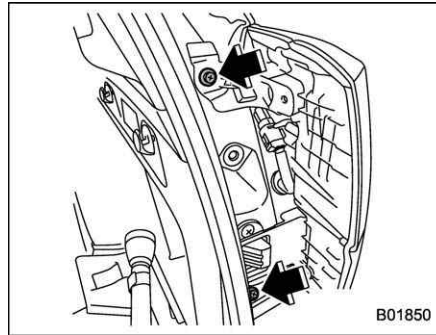


7. Remove the bulb socket from the rear combination light assembly by turning it counterclockwise.

8. Pull the bulb out of the bulb socket and replace it.
9. Set the bulb socket into the rear combination light assembly and turn it clockwise until it locks.
10. Reconnect the electrical connector.

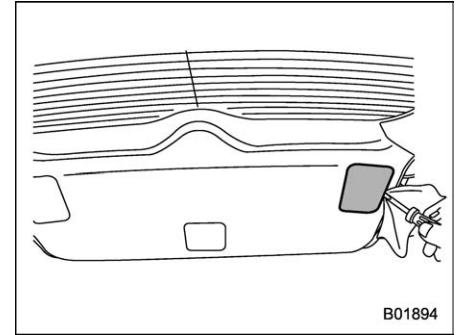


11. Put the rear combination light assembly into place while aligning the 2 pins with the holes and secure to the vehicle.

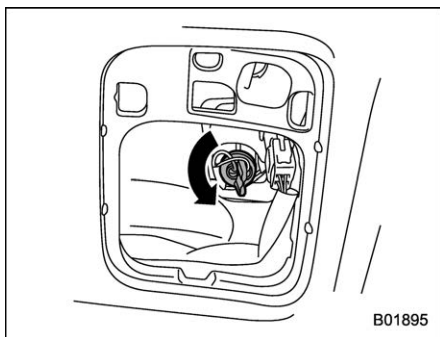


12. Tighten the screws.
13. Put the covers back in place.

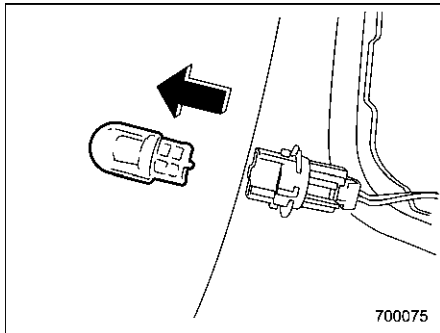
## ■ Backup light



1. Apply a flat-head screwdriver to the light cover as shown in the illustration, and pry the light cover off from the rear gate trim.

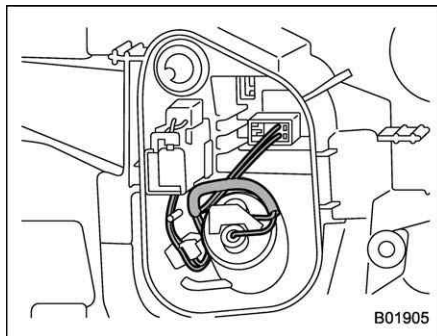


2. Turn the bulb socket counterclockwise and remove it.



3. Pull the bulb out of the bulb socket and replace it.  
4. Install the bulb socket by turning it clockwise.

5. Route the wire as shown in the illustration.



6. Install the light cover on the rear gate.

### ■ Vanity mirror light

**CAUTION**

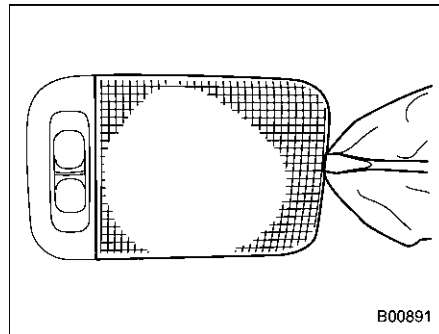
Replacing the bulb could cause burns since the bulb may be very hot. Have the bulb replaced by your SUBARU dealer.

### ■ Door step light

**CAUTION**

Replacing the bulb could cause a short circuit. Have the bulb replaced by your SUBARU dealer.

### ■ Cargo area light



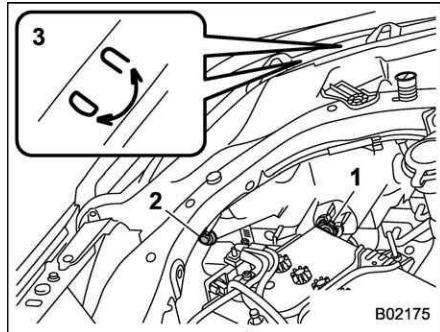
Cargo area light (models without rear gate light)

1. Remove the lens by prying the edge of the lens with a flat-head screwdriver.
2. Pull the bulb out of the socket.
3. Install a new bulb.
4. Put the lens back in place.

## Other bulbs

It may be difficult to replace the bulbs. Have the bulbs replaced by your SUBARU dealer if necessary.

## Adjusting headlight aim

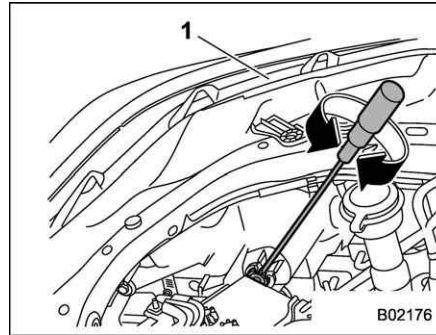


- 1) Adjustment bolt A
- 2) Adjustment bolt B
- 3) Adjustment direction mark

### Before checking the headlight aiming

1. Make sure the vehicle has a full tank of gasoline and the area around the headlight is not deformed.
2. Park the vehicle on level ground.
3. Sit in the driver's seat.
4. Bounce the vehicle several times.

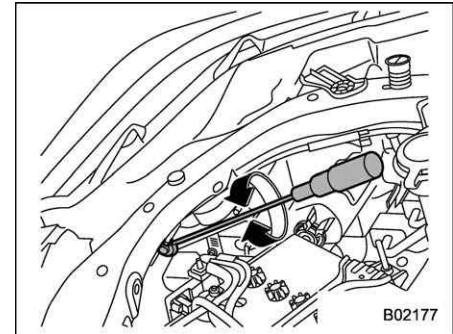
### Headlight aim adjustment



- 1) Adjustment direction mark

1. Turn bolt A clockwise or counterclockwise to adjust it.

Remember the direction of the rotation and number of rotations.



2. Turn bolt B the same number of turns and in the same direction as step 1.

### NOTE

- If the headlight aim cannot be adjusted, contact your SUBARU dealer.
- To inspect the headlight aim position, consult a SUBARU dealer.

## 11-25. Replacing key battery

The access key fob/transmitter battery may be discharged under the following conditions.

- The operation of the keyless access function is unstable.
- The operating distance of the remote keyless entry system is unstable.
- The transmitter does not operate properly when used within the standard distance.

Replace the battery with a new one.

### ■ Safety precautions

#### ⚠ CAUTION

- Do not let dust, oil or water get on or in the access key fob/transmitter when replacing the battery.
- Before replacing the battery, remove any static electricity.
- Be careful not to touch or damage the printed circuit board in the access key fob/transmitter when replacing the battery.
- Be careful not to allow children to touch the battery and any removed parts; children could

swallow them.

- There is a danger of an explosion if the battery is incorrectly replaced. Replace only with the same or equivalent type of the battery.
- Batteries should not be exposed to excessive heat such as bright sunlight, fire or the like.

#### NOTE

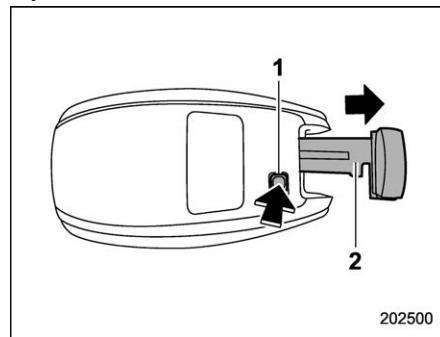
- Replace only with the same or equivalent type of battery recommended by the manufacturer.
- Dispose of used batteries according to local laws.
- Mount the battery in the correct orientation to prevent fluid leakage. Be careful not to bend the terminals. It may result in a malfunction.
- It is recommended that the battery be replaced by a SUBARU dealer.
- Use a new battery.
- After replacing the battery, confirm that the transmitter functions properly.

### ■ Replacing battery of access key fob

#### ⚠ CAUTION

When removing or reinstalling the access key fob cover, make sure that the plastic part does not come off or become misaligned.

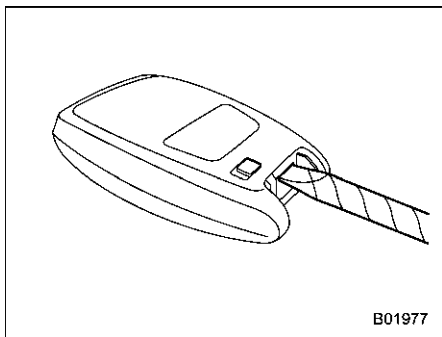
**Battery:** Button battery CR2032 or equivalent



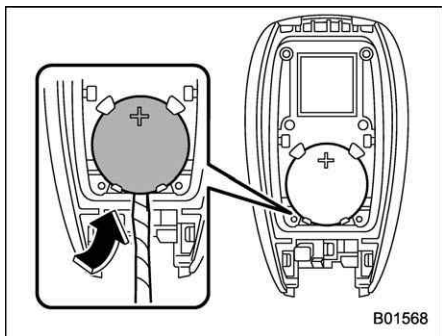
- 1) Release button
- 2) Emergency key

1. Take out the emergency key.

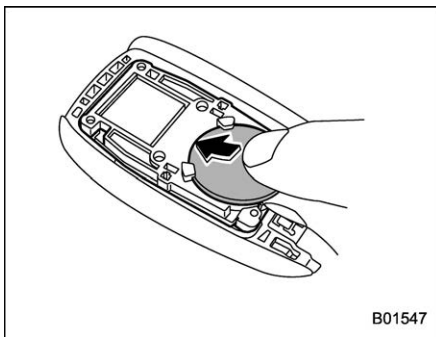




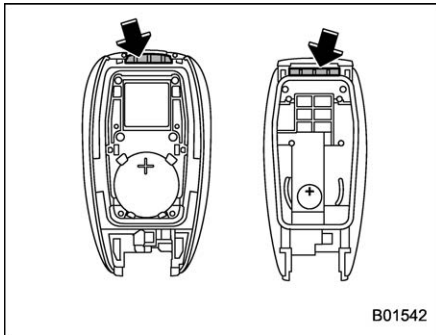
2. Wrap a flat-head screwdriver with vinyl tape or a cloth, and insert it in the gap to remove the cover.



3. Take out the battery using a flat-head screwdriver with vinyl tape or a cloth.



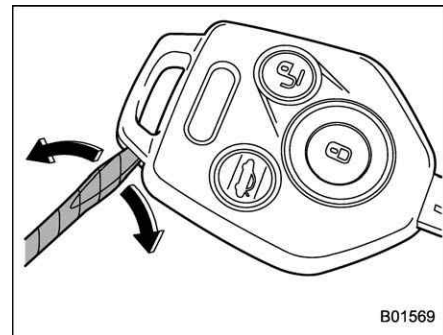
4. Insert a new battery with its positive (+) side facing upward as shown in the figure.



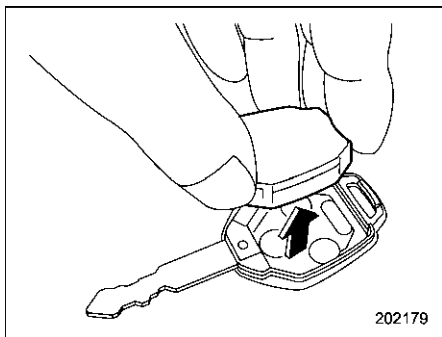
5. Attach the cover to the access key fob by fitting the projections and recesses together.

## ■ Replacing transmitter battery

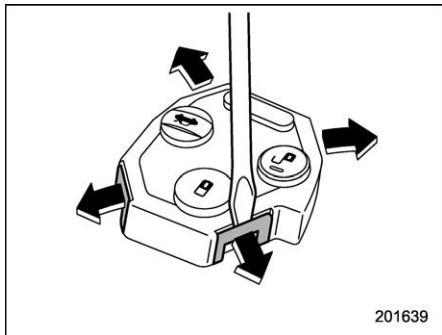
Battery: Button battery CR1620 or equivalent



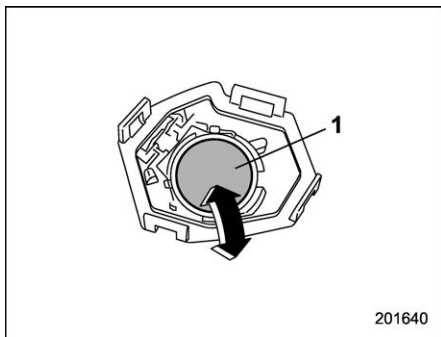
1. Wrap a flat-head screwdriver with vinyl tape or a cloth. Open the key head using a flat-head screwdriver.



2. Remove the transmitter case from the key head.



3. Open the transmitter case by releasing the hooks.



- 1) Negative (-) side facing up
4. Replace the old battery with a new battery making sure to install the new battery with the negative (-) side facing up.
5. Put together the transmitter case by fitting the hooks on the case.
6. Reinstall the transmitter case in the key head.
7. Refit the removed half of the key head.

<b>12-1. Specifications</b> .....	<b>512</b>	<b>Tires</b> .....	<b>517</b>
Dimensions .....	512	Temporary spare tires .....	517
Engine.....	512	Brake pedal.....	517
Fuel.....	513	Brake disc .....	518
Engine oil.....	513	Brake pad .....	518
Front differential and rear differential gear oil .....	515	<b>12-2. Bulb chart</b> .....	<b>519</b>
Fluids .....	516	Safety precautions .....	519
Engine coolant .....	516	Bulb chart.....	520
Electrical system .....	516	<b>12-3. Vehicle identification</b> .....	<b>523</b>

## 12-1. Specifications

These specifications are subject to change without notice.

### ■ Dimensions

Item		Forester	Subaru Forester Wilderness
Overall length		182.7 (4,640)	
Overall width		71.5 (1,815)	72.2 (1,835)
Overall height		68.1 (1,730)* <sup>2</sup> 67.5 (1,715)* <sup>3</sup>	68.9 (1,750)
Wheel base		105.1 (2,670)	104.9 (2,665)
Tread	Front	61.6 (1,565)	61.4 (1,560)
	Rear	61.8 (1,570)	61.4 (1,560)
Ground clearance* <sup>1</sup>		8.7 (220)	9.3 (235)

\*1: Measured with vehicle empty

\*2: Models with roof rails

\*3: Models without roof rails

### ■ Engine


Engine model	FB25 (2.5 L, DOHC, non-turbo)
Engine type	Horizontally opposed, liquid cooled 4 cylinder, 4-stroke direct injection gasoline engine
Displacement cu-in (cc)	152 (2,498)
Bore × Stroke in (mm)	3.70 × 3.54 (94.0 × 90.0)
Compression ratio	12.0 : 1
Firing order	1 – 3 – 2 – 4

**■ Fuel**

Fuel requirement	Fuel tank capacity
Unleaded gasoline with 87 AKI (90 RON) or higher	16.6 US gal (63 liters, 13.9 Imp gal)

For more details, refer to “Fuel”  P310.

**■ Engine oil**

For the checking, adding and replacing procedure or other details, refer to “Engine oil”  P474.

**NOTE**

**The procedure for changing the engine oil and oil filter should be performed by a properly-trained expert. It is recommended that you have this service performed by your SUBARU dealer.**

**▼ Approved engine oil**



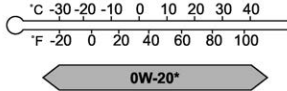
Always use the SUBARU approved engine oil. For further details, please contact your SUBARU dealer. If the approved engine oil is unavailable, use the alternative engine oil described on the next page.

▼ **Alternative engine oil**

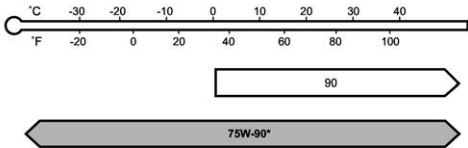
If the SUBARU approved oil is unavailable, the following alternative oil can be used.

**NOTE**

Each quantity indicated here is only a guideline. The necessary quantity for replacement may differ slightly depending on the temperature and other factors.

Oil grade	SAE viscosity No. and applicable temperature	Engine oil capacity
<div style="display: flex; justify-content: space-around; align-items: center;"> <div style="text-align: center;">  <p>ZOM0886</p> </div> <p>or</p> <div style="text-align: center;">  <p>ZOM0293</p> </div> </div> <p>API (American Petroleum Institute) classification <b>SN</b> with the words "RESOURCE CONSERVING", <b>SN PLUS</b> with the words "RESOURCE CONSERVING" or <b>SP</b> with the words "RESOURCE CONSERVING"</p> <p>ILSAC (International Lubricant Specification Advisory Committee) <b>GF-5</b> or <b>GF-6A</b>, which can be identified with the ILSAC certification mark (Starburst mark)</p>	<p><b>0W-20 synthetic</b> oil is the required oil for optimum engine performance and protection. Conventional oil may be used if synthetic oil is unavailable.</p> <p>*: If 0W-20 synthetic oil is not available, 5W-30 conventional oil may be used if replenishment is needed but should be changed to 0W-20 synthetic oil at the next oil change.</p> <div style="text-align: center;">  <p>0W-20*</p> </div> <p>ZOM0294</p>	<ul style="list-style-type: none"> <li>- Adding the oil from low level to full level: 1.1 US qt (1.0 liter, 0.9 Imp qt)</li> <li>- Changing the oil and oil filter: 4.4 US qt (4.2 liters, 3.7 Imp qt)</li> </ul>

**■ Front differential and rear differential gear oil**

Oil	Front differential gear oil	Rear differential gear oil
Oil grade	<ul style="list-style-type: none"> <li>● SUBARU Extra MT*3</li> <li>● API classification GL-5 (75W-90)</li> </ul>	API classification GL-5
SAE viscosity No. and applicable temperature	—	<ul style="list-style-type: none"> <li>● 75W-90*</li> <li>● 90</li> </ul>  <p style="text-align: right; font-size: small;">ZOM0450</p> <p style="text-align: center;">*: Recommended</p>
Oil capacity*1	1.4 US qt (1.3 liters, 1.1 Imp qt)	0.8 US qt (0.8 liters, 0.7 Imp qt)
Remarks*2	"Front differential gear oil and rear differential gear oil" ☞ P481	

\*1: The indicated oil quantity is only a guideline. The necessary quantity for replacement may differ slightly depending on the temperature and other factors. After refilling the gearbox with oil, the oil level should be checked.

\*2: For more details about maintenance and service, refer to the indicated section.

\*3: The vehicle is filled at the factory with this oil.

## ■ Fluids

Fluid	Fluid type*1	Fluid capacity*2	Remarks*3
Continuously variable transmission fluid	Consult your SUBARU dealer.	Except for Subaru Forester Wilderness models: 12.7 US qt (12.0 liters, 10.6 Imp qt) For Subaru Forester Wilderness models: 12.4 US qt (11.7 liters, 10.3 Imp qt)	"Continuously variable transmission fluid" ☞P480
Brake fluid	FMVSS No. 116, DOT 3 or DOT 4 brake fluid	—	"Brake fluid" ☞P481

\*1: Use one of the indicated types of fluid.

\*2: The indicated fluid quantity is only a guideline. The necessary quantity for replacement may differ slightly depending on the temperature and other factors.

\*3: For more details about maintenance and service, refer to the indicated section.

## ■ Engine coolant

Coolant capacity	Coolant type
9.0 US qt (8.5 liters, 7.5 Imp qt)	SUBARU SUPER COOLANT

The indicated coolant quantity is only a guideline. The necessary quantity for replacement may differ slightly depending on the temperature and other factors. For more details about maintenance and service, refer to "Cooling system" ☞P476.

## ■ Electrical system

Battery type	Q-85
Alternator	12 V-150 A
Spark plugs	DILKAR7Q8 (NGK)



**■ Tires**

Item		Forester		Subaru Forester Wilderness
Tire size		225/60R17 99H	225/55R18 98H	225/60R17 99T
Wheel size		17 × 7 J	18 × 7 J	17 × 7 J
Pressure	Front	33 psi (230 kPa, 2.3 kgf/cm <sup>2</sup> )	35 psi (240 kPa, 2.4 kgf/cm <sup>2</sup> )	33 psi (230 kPa, 2.3 kgf/cm <sup>2</sup> )
	Rear	32 psi (220 kPa, 2.2 kgf/cm <sup>2</sup> )	33 psi (230 kPa, 2.3 kgf/cm <sup>2</sup> )	32 psi (220 kPa, 2.2 kgf/cm <sup>2</sup> )
Wheel nut tightening torque		89 lbf·ft (120 N·m, 12 kgf·m)*1		

\*1: This torque is equivalent to applying approximately 88 to 110 lbf (40 to 50 kgf) at the end of the wheel nut wrench. If you have tightened the wheel nuts by yourself, have the tightening torque checked at the nearest automotive service facility as soon as possible. For the wheel nut tightening procedure, refer to “Changing a flat tire” P438.

**■ Temporary spare tires**

	U.S.-spec. models and Canada-spec. models	Other models
Temporary spare tire size	T145/80 D17	185/65 R17
Temporary spare tire inflation pressure (recommended cold tire inflation pressure)	60 psi (420 kPa, 4.2 kgf/cm <sup>2</sup> )	42 psi (290 kPa, 2.9 kgf/cm <sup>2</sup> )

**■ Brake pedal**

	in (mm)
Pedal clearance	2.56 (65)*
Pedal free play	0.02 - 0.11 (0.5 - 2.7)

\*: Minimum value when pedal is operated with a force of 110 lbf (490 N, 50 kgf)

**■ Brake disc**

If you need information on the usage limit value of brake discs and the method for measuring them, we recommend that you consult your SUBARU dealer.

**■ Brake pad**

	in (mm)
Brake pad wear limit	0.06 (1.5)

## 12-2. Bulb chart

### ■ Safety precautions

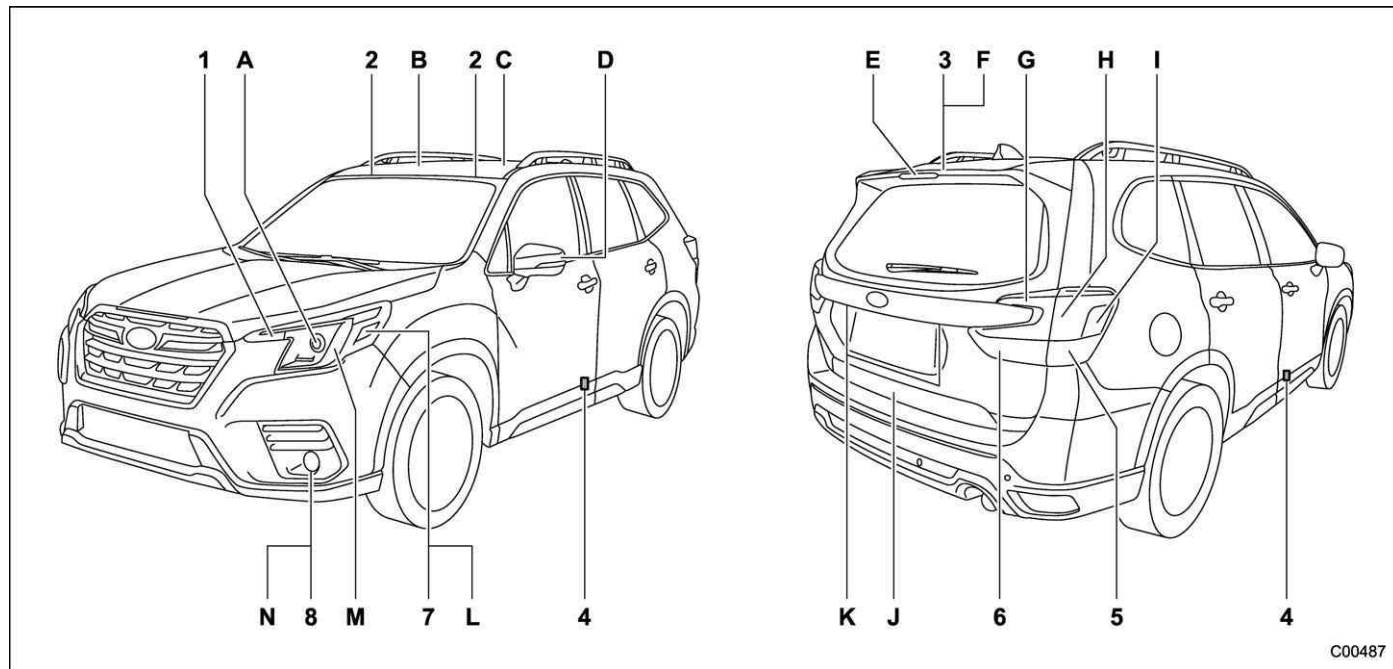
 **WARNING**

Bulbs may become very hot while illuminated. Before replacing bulbs, turn off the lights and wait until the bulbs cool down. Otherwise, there is a risk of sustaining a burn injury.

 **CAUTION**

Replace any bulb only with a new bulb of the specified wattage. Using a bulb of different wattage could result in a fire.

## ■ Bulb chart

**NOTE**

Lights indicated by letters are the LED (Light Emitting Diode) type. Consult your SUBARU dealer for replacement.

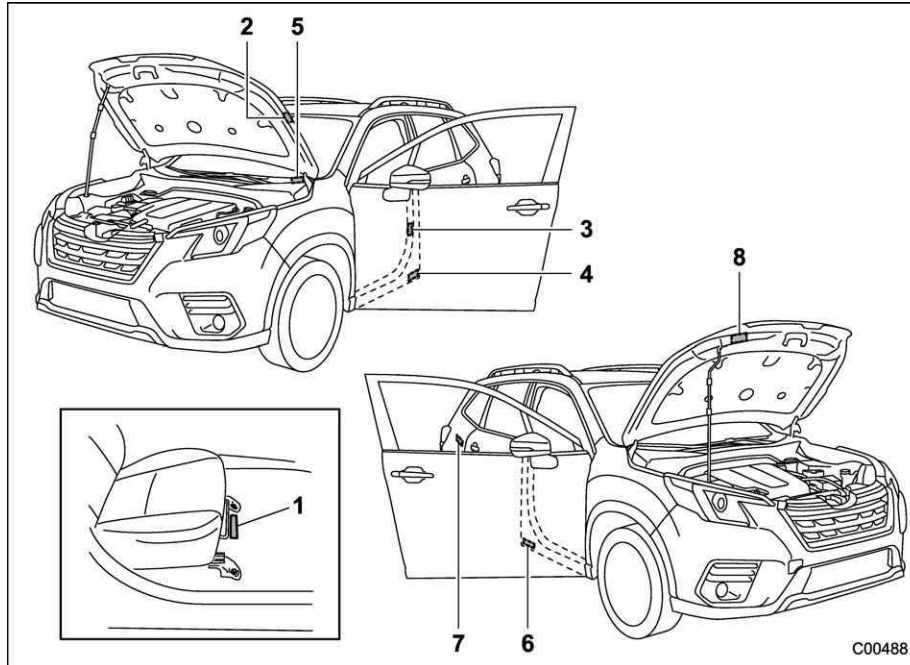
	<b>Wattage</b>	<b>Bulb No.</b>
1) Front turn signal light	12 V-21 W	WY21W
2) Vanity mirror light	12 V-2 W	—
3) Cargo area light (models without rear gate light)	12 V-13 W	—
4) Door step light	12 V-5 W	W5W
5) Rear turn signal light	12 V-21 W	WY21W
6) Backup light	12 V-16 W	W16W
7) Front side marker light (if equipped)	12 V-5 W	W5W
8) Front fog light (if equipped)	12 V-19 W	H16
A) Low/High beam headlight	—	—
Daytime running light	—	—
B) Map light	—	—
C) Dome light	—	—
D) Side turn signal light (if equipped)	—	—
E) High-mounted stop light	—	—
F) Cargo area light (models with rear gate light)	—	—
G) Tail light	—	—
H) Stop light	—	—
Tail light	—	—
I) Rear side marker light	—	—
J) Rear gate light (if equipped)	—	—
K) License plate light	—	—
L) Front side marker light (if equipped)	—	—

## 522 *Bulb chart*

---

	<b>Wattage</b>	<b>Bulb No.</b>
M) Front position light/Accessory lamp (if equipped)	—	—
N) Front fog light (if equipped)	—	—

## 12-3. Vehicle identification



- 1) Vehicle identification number (under the floor carpet of the right-hand front seat)
- 2) Emission control label
- 3) Tire inflation pressure label (vehicle placard)
- 4) Certification label
- 5) Vehicle identification number
- 6) Model number label
- 7) Fuel label
- 8) Air conditioner label





# Consumer information and reporting safety defects

13-1. For U.S.A. ....	526	13-3. Vehicle load limit – how to determine .....	535
13-2. Tire information .....	526	Calculating total and load capacities varying	
Tire labeling .....	526	seating configurations.....	536
Recommended tire inflation pressure.....	528	13-4. Uniform tire quality grading standards .....	538
Glossary of tire terminology .....	529	TREADWEAR .....	539
Tire care – maintenance and safety practices.....	534	TRACTION AA, A, B, C .....	539
Determining compatibility of tire and vehicle		TEMPERATURE A, B, C .....	539
load capacities .....	534	13-5. Reporting safety defects (U.S.A.).....	540
Adverse safety consequences of overloading		13-6. How to contact Transport Canada in	
on handling and stopping and on tires.....	534	order to report a safety concern relating	
Steps for Determining Correct Load Limit .....	535	to the vehicle (Canada).....	540

### 13-1. For U.S.A.

The following information has been compiled according to Code of Federal Regulations "Title 49, Part 575".

### 13-2. Tire information

#### ■ Tire labeling

Many markings (e.g. Tire size, Tire Identification Number or TIN) are placed on the sidewall of a tire by tire manufacturers. These markings can provide you with useful information on the tire.

#### ▼ Tire size

Your vehicle comes equipped with P-Metric tire size. It is important to understand the sizing system in selecting the proper tire for your vehicles. Here is a brief review of the tire sizing system with a breakdown of its individual elements.

#### ▽ P Metric

With the P-Metric system, Section Width is measured in millimeters. To convert millimeters into inches, divide by 25.4. The Aspect Ratio (Section Height divided by Section Width) helps provide more dimensional information about the tire size.

Example:

<b>P</b>	<b>205</b>	/	<b>55</b>	<b>R</b>	<b>16</b>
(1)	(2)		(3)	(4)	(5)

- (1) P = Certain tire type used on light duty vehicles such as passenger cars
- (2) Section Width in millimeters
- (3) Aspect Ratio (= section height ÷ section width).
- (4) R = Radial Construction
- (5) Rim diameter in inches

#### ▽ Load and Speed Rating Descriptions

The load and speed rating descriptions will appear following the size designation.

They provide two important facts about the tire. First, the number designation is its load index. Second, the letter designation indicates the tire's speed rating.

**Example:**

**P 205 / 55 R 16 89 V**  
 Size designation (6) (7)

(6) Load Index: A numerical code which specifies the maximum load a tire can carry at the speed indicated by its speed symbol, at maximum inflation pressure.

For example, “90” means 1,323 lbs (600 kg), “89” means 1,278 lbs (580 kg).

 **WARNING**

**Load indices apply only to the tire, not to the vehicle. Putting a load rated tire on any vehicle does not mean the vehicle can be loaded up to the tire’s rated load.**

(7) Speed Rating: An alphabetical system describing a tire’s capability to travel at established and predetermined speeds.

For example, “V” means 149 mph (240 km/h)

 **WARNING**

- **Speed ratings apply only to the tire, not to the vehicle. Putting a speed rated tire on any vehicle does not mean the vehicle can be operated at the tire’s rated speed.**
- **The speed rating is void if the tires are worn out, damaged, repaired, retreaded, or otherwise altered from their original condition. If tires are repaired, retreaded, or otherwise altered, they may not be suitable for original equipment tire designed loads and speeds.**

▼ **Tire Identification Number (TIN)**

Tire Identification Number (TIN) is marked on the intended outboard sidewall. The TIN is composed of four groups. Here is a brief review of the TIN with a breakdown of its

individual elements.

**DOT XX XX XXX XXXX**  
 (1) (2) (3) (4) (5)

- (1) DOT symbol\*
- (2) Manufacturer’s Identification Mark
- (3) Tire Size Code
- (4) Tire Type Code
- (5) Date of Manufacture

The first two figures identify the week, starting with “01” to represent the first full week of the calendar year; the second two figures represent the year. For example, 0101 means the 1st week of 2001.

\*: The DOT symbol certifies that the tire conforms to applicable Federal Motor Vehicle Safety Standards.

### ▼ Other markings

The following markings are also placed on the sidewall.

#### ▽ Maximum permissible inflation pressure

The maximum cold inflation pressure to which this tire may be inflated. For example, “300 kPa (44 PSI) MAX. PRESS”

#### ▽ Maximum load rating

The load rating at the maximum permissible weight load for this tire. For example, “MAX. LOAD 580 kg (1279 LBS) @ 300 kPa (44 PSI) MAX. PRESS.”



### WARNING

**Maximum load rating applies only to the tire, not to the vehicle. Putting a load rated tire on any vehicle does not mean the vehicle can be loaded up to the tire's rated load.**

### ▽ Construction type

Applicable construction of this tire. For example, “TUBELESS STEEL BELTED RADIAL”

### ▽ Construction

The generic name of each cord material used in the plies (both sidewall and tread area) of this tire. For example, “PLIES: TREAD 2 STEEL + 2 POLYESTER SIDEWALL 2 POLYESTER”

### ▽ Uniform Tire Quality Grading (UTQG)

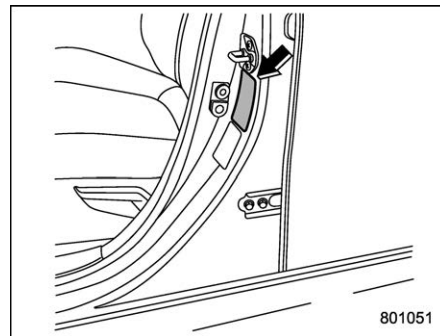
For details, refer to “Uniform tire quality grading standards” P538.

### ■ Recommended tire inflation pressure

### ▼ Recommended cold tire inflation pressure

For recommended cold tire inflation pressure for your vehicle's tires, refer to “Tires” P517.

### ▼ Vehicle placard



The vehicle placard is attached to the driver's side door pillar.

### Example:

TIRE AND LOADING INFORMATION RENSEIGNEMENTS SUR LES PNEUS ET LE CHARGEMENT			
TIRE PNEU	SIZE DIMENSIONS	COLD TIRE PRESSURE PRESSION DES PNEUS A FROID	SEE OWNER'S MANUAL FOR ADDITIONAL INFORMATION
FRONT AVANT	PXXXXXXRXX	XXXKPA, XXPSI	VOIR LE MANUEL DE L'USAGER POUR PLUS DE RENSEIGNEMENTS
REAR ARRIERE	PXXXXXXRXX	XXXKPA, XXPSI	
SPARE DE SECOURS	TXXXXDX	XXXKPA, XXPSI	

D00155

The vehicle placard shows original tire size, recommended cold tire inflation pressure on each tire at maximum loaded vehicle weight, seating capacity and loading information.

### ▼ Adverse safety consequences of under-inflation

Driving at high speeds with excessively low tire pressures can cause the tires to flex severely and to rapidly become hot. A sharp increase in temperature could cause tread separation, and failure of the tire(s). Possible resulting loss of vehicle control could lead to an accident.

### ▼ Measuring and adjusting air pressure to achieve proper inflation

Check and, if necessary, adjust the pressure of each tire (including the spare) at least once a month and before any long journey. Check the tire pressures when the tires are cold. Use a pressure gauge to

adjust the tire pressures to the specific values. Driving even a short distance warms up the tires and increases the tire pressures. Also, the tire pressures are affected by the outside temperature. It is best to check tire pressure outdoors before driving the vehicle. When a tire becomes warm, the air inside it expands, causing the tire pressure to increase. Be careful not to mistakenly release air from a warm tire to reduce its pressure.

### ■ Glossary of tire terminology

#### ● Accessory weight

The combined weight (in excess of those standard items which may be replaced) of automatic transmission, power steering, power brakes, power windows, power seats, radio, and heater, to the extent that these items are available as factory-installed equipment (whether installed or not).

#### ● Bead

The part of the tire that is made of

steel wires, wrapped or reinforced by ply cords and that is shaped to fit the rim.

#### ● Bead separation

A breakdown of the bond between components in the bead.

#### ● Bias ply tire

A pneumatic tire in which the ply cords that extend to the beads are laid at alternate angles substantially less than 90 degrees to the centerline of the tread.

#### ● Carcass

The tire structure, except tread and sidewall rubber which, when inflated, bears the load.

#### ● Chunking

The breaking away of pieces of the tread or sidewall.

#### ● Cold tire pressure

The pressure in a tire that has been driven less than 1 mile or has been standing for three hours or more.

#### ● Cord

The strands forming the plies in the tire.

- **Cord separation**

The parting of cords from adjacent rubber compounds.

- **Cracking**

Any parting within the tread, sidewall, or inner liner of the tire extending to cord material.

- **Curb weight**

The weight of a motor vehicle with standard equipment including the maximum capacity of fuel, oil and coolant, and if so equipped, air conditioning and additional weight optional engine.

- **Extra load tire**

A tire designed to operate at higher loads and higher inflation pressure than the corresponding standard tire.

- **Groove**

The space between two adjacent tread ribs.

- **Innerliner**

The layer(s) forming the inside surface of a tubeless tire that contains the inflating medium within the tire.

- **Innerliner separation**

The parting of the innerliner from cord material in the carcass.

- **Intended outboard sidewall**

(1) The sidewall that contains a whitewall, bears white lettering or bears manufacturer, brand, and/or model name molding that is higher or deeper than the same molding on the other sidewall of the tire, or

(2) The outward facing sidewall of an asymmetrical tire that has a particular side that must always face outward when mounting on a vehicle.

- **Light truck (LT) tire**

A tire designated by its manufacturer as primarily intended for use on lightweight trucks or multipurpose passenger vehicles.

- **Load rating**

The maximum load that a tire is rated to carry for a given inflation pressure.

- **Maximum inflation pressure**

The maximum cold inflation pres-

sure to which a tire may be inflated.

- **Maximum load rating**

The load rating for a tire at the maximum permissible inflation pressure for that tire.

- **Maximum loaded vehicle weight**

The sum of:

- (a) Curb weight
- (b) Accessory weight
- (c) Vehicle capacity weight
- (d) Production options weight

- **Maximum permissible inflation pressure**

The maximum cold inflation pressure to which a tire may be inflated.

- **Measuring rim**

The rim on which a tire is fitted for physical dimension requirements.

- **Normal occupant weight**

150 lbs (68 kg) times the number of occupants specified in the second column of Table 1 that is appended to the end of this section.

- **Occupant distribution**

Distribution of occupants in a vehicle as specified in the third column of Table 1 that is appended to the

end of this section.

- **Open splice**

Any parting at any junction of tread, sidewall, or innerliner that extends to cord material.

- **Outer diameter**

The overall diameter of an inflated new tire.

- **Overall width**

The linear distance between the exteriors of the sidewalls of an inflated tire, including elevations due to labeling, decorations, or protective bands or ribs.

- **Passenger car tire**

A tire intended for use on passenger cars, multipurpose passenger vehicles, and trucks, that have a gross vehicle weight rating (GVWR) of 10,000 lbs (4,535 kg) or less.

- **Ply**

A layer of rubber-coated parallel cords.

- **Ply separation**

A parting of rubber compound between adjacent plies.

- **Pneumatic tire**

A mechanical device made of rubber, chemicals, fabric and steel or other materials, that, when mounted on an automotive wheel, provides the traction and contains the gas or fluid that sustains the load.

- **Production options weight**

The combined weight of those installed regular production options weighing over 5.1 lbs (2.3 kg) in excess of those standard items which they replace, not previously considered in curb weight or accessory weight, including heavy duty brakes, ride levelers, roof rack, heavy duty battery, and special trim.

- **Radial ply tire**

A pneumatic tire in which the ply cords that extend to the beads are laid at substantially 90 degrees to the centerline of the tread.

- **Recommended inflation pressure**

The cold inflation pressure recommended by a vehicle manufacturer.

- **Reinforced tire**

A tire designed to operate at higher loads and at higher inflation pressures than the corresponding standard tire.

- **Rim**

A metal support for a tire or a tire and tube assembly upon which the tire beads are seated.

- **Rim diameter**

Nominal diameter of the bead seat.

- **Rim size designation**

Rim diameter and width.

- **Rim type designation**

The industry of manufacturer's designation for a rim by style or code.

- **Rim width**

Nominal distance between rim flanges.

- **Section width**

The linear distance between the exteriors of the sidewalls of an inflated tire, excluding elevations due to labeling, decoration, or protective bands.

- **Sidewall**


That portion of a tire between the

tread and bead.

- **Sidewall separation**

The parting of the rubber compound from the cord material in the sidewall.

- **Snow tire**

A tire that attains a traction index equal to or greater than 110, compared to the ASTM E-1136-93 Standard Reference Test Tire, when using the snow traction test as described in ASTM F-1805-00, Standard Test Method for Single Wheel Driving Traction in a Straight Line on Snow-and Ice-Covered Surfaces, and that is marked with an Alpine Symbol “” on at least one sidewall.

- **Test rim**

The rim on which a tire is fitted for testing, and it may be any rim listed as appropriate for use with that tire.

- **Tread**

That portion of a tire that comes into contact with the road.

- **Tread rib**

A tread section running circumfer-

entially around a tire.

- **Tread separation**

Pulling away of the tread from the tire carcass.

- **Treadwear indicators (TWI)**

The projections within the principal grooves designed to give a visual indication of the degrees of wear of the tread.

- **Vehicle capacity weight**

The rated cargo and luggage load plus 150 lbs (68 kg) times the vehicle’s designated seating capacity.

- **Vehicle maximum load on the tire**

Load on an individual tire that is determined by distributing to each axle its share of the maximum loaded vehicle weight and dividing by two.

- **Vehicle normal load on the tire**

Load on an individual tire that is determined by distributing to each axle its share of the curb weight, accessory weight, and normal occupant weight (distributed in accordance with Table 1 that is appended

to the end of this section) and dividing by 2.

- **Wheel-holding fixture**

The fixture used to hold the wheel and tire assembly securely during testing.



Table 1 — Occupant loading and distribution for vehicle normal load for various designated seating capacities

Designated seating capacity, number of occupants	Vehicle normal load, number of occupants	Occupant distribution in a normally loaded vehicle
2 through 4	2	2 in front.
5 through 10	3	2 in front, 1 in second seat.
11 through 15	5	2 in front, 1 in second seat, 1 in third seat, 1 in fourth seat.
16 through 22	7	2 in front, 2 in second seat, 2 in third seat, 1 in fourth seat.

### ■ Tire care – maintenance and safety practices

- Check on a daily basis that the tires are free from serious damage, nails, and stones. At the same time, check the tires for abnormal wear.
- Inspect the tire tread regularly and replace the tires before their tread wear indicators become visible. When a tire's tread wear indicator becomes visible, the tire is worn beyond the acceptable limit and must be replaced immediately. With a tire in this condition, driving at even low speeds in wet weather can cause the vehicle to hydroplane. Possible resulting loss of vehicle control can lead to an accident.
- To maximize the life of each tire and ensure that the tires wear uniformly, it is best to rotate the tires every 6,000 miles (10,000 km). For information about the tire rotation order, refer to "Tire rotation" ☞ P489. Replace any damaged or unevenly worn tires at the time of

rotation. After tire rotation, adjust the tire pressures and make sure the wheel nuts are correctly tightened. For information about the tightening torque and tightening sequence for the wheel nuts, refer to "Flat tires" ☞ P438.

### ■ Determining compatibility of tire and vehicle load capacities

The sum of four tires' maximum load ratings must exceed the maximum loaded vehicle weight ("GVWR"). In addition, sum of the maximum load ratings of two front tires and of two rear tires must exceed each axle's maximum loaded capacity ("GAWR"). Original equipment tires are designed to fulfill those conditions.

The maximum loaded vehicle weight is referred to Gross Vehicle Weight Rating (GVWR). And each axle's maximum loaded capacity is referred to Gross Axle Weight Rating (GAWR). The GVWR and each

axle's GAWR are shown on the vehicle certification label located at the bottom of driver's side door pillar.

The GVWR and front and rear GAWRs are determined by not only the maximum load rating of tires but also loaded capacities of the vehicle's suspension, axles and other parts of the body.

Therefore, this means that the vehicle cannot necessarily be loaded up to the tire's maximum load rating on the tire sidewall.

### ■ Adverse safety consequences of overloading on handling and stopping and on tires

Overloading could affect vehicle handling, stopping distance, and vehicle and tire performance in the following ways. This could lead to an accident and possibly result in severe personal injury.

- Vehicle stability will deteriorate.
- Heavy and/or high-mounted

loads could increase the risk of rollover.

- Stopping distance will increase.
- Brakes could overheat and fail.
- Suspension, bearings, axles and other body parts could break or experience accelerated wear that will shorten vehicle life.
- Tires could fail.
- Tread separation could occur.
- Tire could separate from its rim.

### ■ Steps for Determining Correct Load Limit

1. Locate the statement “The combined weight of occupants and cargo should never exceed XXX kg or XXX lbs.” on your vehicle’s placard.
2. Determine the combined weight of the driver and passengers that will be riding in your vehicle.
3. Subtract the combined weight of the driver and passengers from XXX kg or XXX lbs.
4. The resulting figure equals the available amount of cargo and

luggage load capacity. For example, if the “XXX” amount equals 1,400 lbs. and there will be five 150 lb passengers in your vehicle, the amount of available cargo and luggage load capacity is 650 lbs.  $(1,400 - 750 (5 \times 150) = 650 \text{ lbs.})$

5. Determine the combined weight of luggage and cargo being loaded on the vehicle. That weight may not safely exceed the available cargo and luggage load capacity calculated in Step 4.

6. If your vehicle will be towing a trailer, load from your trailer will be transferred to your vehicle. Consult this manual to determine how this reduces the available cargo and luggage load capacity of your vehicle.

### 13-3. Vehicle load limit – how to determine

The load capacity of your vehicle is determined by weight, not by available cargo space. The load limit of your vehicle is shown on the vehicle placard attached to the driver’s side door pillar. Locate the statement “The combined weight of occupants and cargo should never exceed XXX kg or XXX lbs” on your vehicle’s placard.

The vehicle placard also shows seating capacity of your vehicle.

The total load capacity includes the total weight of driver and all passengers and their belongings, any cargo, any optional equipment such as a trailer hitch, roof rack or bike carrier, etc., and the tongue load of a trailer. Therefore cargo capacity can be calculated by the following method.

Cargo capacity = Load limit – (total weight of occupants + total weight

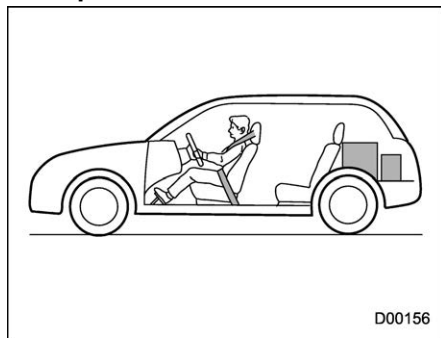
of optional equipment + tongue load of a trailer (if applicable))

For information about vehicle loading, refer to “Loading your vehicle” P419.

### ■ Calculating total and load capacities varying seating configurations

Calculate the available load capacity as shown in the following examples:

#### Example 1A



Vehicle capacity weight of the vehicle is 900 lbs (408 kg), which is

indicated on the vehicle placard with the statement “The combined weight of occupants and cargo should never exceed 900 lbs or 408 kg”.

For example, if the vehicle has one occupant weighing 154 lbs (70 kg) plus cargo weighing 662 lbs (300 kg).

1. Calculate the total weight.

#### Total weight

$$= \frac{154 \text{ lbs (70 kg)}}{\text{(Occupant)}} + \frac{662 \text{ lbs (300 kg)}}{\text{(Cargo)}}$$

$$= \mathbf{816 \text{ lbs (370 kg)}}$$

2. Calculate the available load capacity by subtracting the total weight from the vehicle capacity weight of 900 lbs (408 kg).

#### Available Load Capacity

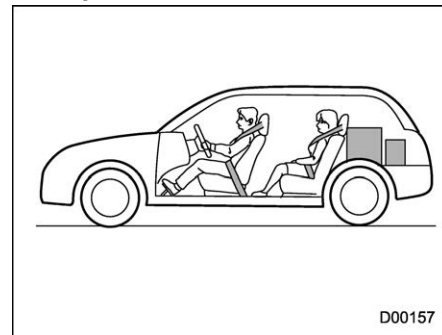
$$= \frac{900 \text{ lbs (408 kg)}}{\text{(Vehicle capacity weight)}} - \frac{816 \text{ lbs (370 kg)}}{\text{(Total weight)}}$$

$$= \mathbf{84 \text{ lbs (38 kg)}}$$

3. The result of step 2 shows that a

further 84 lbs (38 kg) of cargo can be carried.

#### Example 1B



For example, if a person weighing 176 lbs (80 kg) now enters the same vehicle (bringing the number of occupants to two), the calculations are as follows.

1. Calculate the total weight.

**Total weight**

$$= \frac{154 \text{ lbs (70 kg)} + 176 \text{ lbs (80 kg)}}{\text{(Occupant)}}$$

$$+ \frac{662 \text{ lbs (300 kg)}}{\text{(Cargo)}}$$

$$= \mathbf{992 \text{ lbs (450 kg)}}$$

2. Calculate the available load capacity.

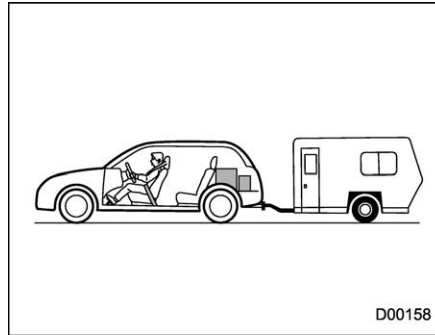
**Available Load Capacity**

$$= \frac{900 \text{ lbs (408 kg)}}{\text{(Vehicle capacity weight)}} - \frac{992 \text{ lbs (450 kg)}}{\text{(Total weight)}}$$

$$= \mathbf{-92 \text{ lbs (-42 kg)}}$$

3. The total weight now exceeds the capacity weight by 92 lbs (42 kg), so the cargo weight must be reduced by 92 lbs (42 kg) or more.

**Example 2A**



Vehicle capacity weight of the vehicle is 900 lbs (408 kg), which is indicated on the vehicle placard with the statement “The combined weight of occupants and cargo should never exceed 408 kg or 900 lbs”.

For example, the vehicle has one occupant weighing 165 lbs (75 kg) plus cargo weighing 375 lbs (170 kg). In addition, the vehicle is fitted with a trailer hitch weighing 22 lbs (10 kg), to which is attached a trailer weighing 1,764 lbs (800 kg). 10% of the trailer weight is applied to the

trailer tongue (i.e. Tongue load = 176 lbs (80 kg)).

1. Calculate the total weight.

**Total weight**

$$= \frac{165 \text{ lbs (75 kg)}}{\text{(Occupant)}} + \frac{375 \text{ lbs (170 kg)}}{\text{(Cargo)}}$$

$$+ \frac{22 \text{ lbs (10 kg)}}{\text{(Trailer hitch)}} + \frac{176 \text{ lbs (80 kg)}}{\text{(Tongue load)}}$$

$$= \mathbf{738 \text{ lbs (335 kg)}}$$

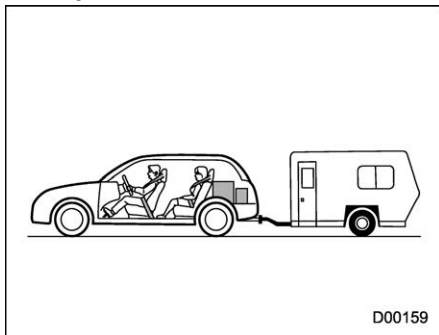
2. Calculate the available load capacity.

**Available Load Capacity**

$$= \frac{900 \text{ lbs (408 kg)}}{\text{(Vehicle capacity weight)}} - \frac{738 \text{ lbs (335 kg)}}{\text{(Total weight)}}$$

$$= \mathbf{162 \text{ lbs (73 kg)}}$$

3. The result of step 2 shows that a further 162 lbs (73 kg) of cargo can be carried.

**Example 2B**

For example, if a person weighing 143 lbs (65 kg) and a child weighing 40 lbs (18 kg) now enter the same vehicle (bringing the number of occupants to three), and a child restraint system weighing 11 lbs (5 kg) is installed in the vehicle for the child to use, the calculations are as follows.

1. Calculate the total weight.

**Total weight**

$$\begin{aligned}
 &= \frac{165 \text{ lbs (75 kg)} + 143 \text{ lbs (65 kg)}}{\text{(Occupant)}} \\
 &+ \frac{40 \text{ lbs (18 kg)}}{\text{(Occupant)}} \\
 &+ \frac{11 \text{ lbs (5 kg)}}{\text{(Child restraint)}} + \frac{375 \text{ lbs (170 kg)}}{\text{(Cargo)}} \\
 &+ \frac{22 \text{ lbs (10 kg)}}{\text{(Trailer hitch)}} + \frac{176 \text{ lbs (80 kg)}}{\text{(Tongue load)}} \\
 &= \mathbf{932 \text{ lbs (423 kg)}}
 \end{aligned}$$

2. Calculate the available load capacity.

**Available Load Capacity**

$$\begin{aligned}
 &= \frac{900 \text{ lbs (408 kg)}}{\text{(Vehicle capacity weight)}} - \frac{932 \text{ lbs (423 kg)}}{\text{(Total weight)}} \\
 &= \mathbf{-32 \text{ lbs (-15 kg)}}
 \end{aligned}$$

3. The total weight now exceeds the capacity weight by 32 lbs (15 kg), so the cargo weight must be reduced by 32 lbs (15 kg) or more.

**13-4. Uniform tire quality grading standards**

This information indicates the relative performance of passenger car tires in the area of treadwear, traction, and temperature resistance. This is to aid the consumer in making an informed choice in the purchase of tires.

Quality grades can be found where applicable on the tire sidewall between tread shoulder and maximum section width.

For example:

**TREADWEAR 200 TRACTION AA TEMPERATURE A**

The quality grades apply to new pneumatic tires for use on passenger cars. However, they do not apply to deep tread, winter type snow tires, space-saver or temporary use spare tires, tires with nominal rim diameters of 12 inches or less, or to some limited production tires.

All passenger car tires must conform to Federal Safety Requirements in addition to these grades.

## ■ TREADWEAR

The treadwear grade is a comparative rating based on the wear rate of the tire when tested under controlled conditions on a specified government test course.

For example, a tire graded 150 would wear one and one-half (1-1/2) times as well on the government course as a tire graded 100. The relative performance of tires depends upon the actual conditions of their use, however, and may depart significantly from the norm due to variations in driving habits, service practices and differences in road characteristics and climate.

## ■ TRACTION AA, A, B, C

The traction grades, from highest to lowest, are AA, A, B and C. Those grades represent the tire's ability to stop on wet pavement as measured

under controlled conditions on specified government test surfaces of asphalt and concrete.

A tire marked C may have poor traction performance.



### WARNING

**The traction grade assigned to this tire is based on straight-ahead braking traction tests, and does not include acceleration, cornering, hydroplaning, or peak traction characteristics.**

## ■ TEMPERATURE A, B, C

The temperature grades are A (the highest), B, and C, representing the tire's resistance to the generation of heat and its ability to dissipate heat when tested under controlled conditions on a specified indoor laboratory test wheel.

Sustained high temperature can cause the material of the tire to degenerate and reduce tire life, and

excessive temperature can lead to sudden tire failure.

The grade C corresponds to a level of performance which all passenger car tires must meet under the Federal Motor Vehicle Safety Standards No. 109.

Grades B and A represent higher levels of performance on the laboratory test wheel than the minimum required by law.



### WARNING

**The temperature grade for this tire is established for a tire that is properly inflated and not overloaded. Excessive speed, underinflation, or excessive loading, either separately or in combination, can cause heat buildup and possible tire failure.**

### **13-5. Reporting safety defects (U.S.A.)**

---

If you believe that your vehicle has a defect which could cause a crash or could cause injury or death, you should immediately inform the National Highway Traffic Safety Administration (NHTSA) in addition to notifying Subaru of America, Inc.

If NHTSA receives similar complaints, it may open an investigation, and if it finds that a safety defect exists in a group of vehicles, it may order a recall and remedy campaign. However, NHTSA cannot become involved in individual problems between you, your dealer, or Subaru of America, Inc.

To contact NHTSA, you may call the Vehicle Safety Hotline toll-free at 1-888-327-4236 (TTY: 1-800-424-9153); go to

<http://www.safercar.gov>; or write to: Administrator, NHTSA, 1200 New Jersey Avenue, SE, West Building, Washington, DC 20590. You can

also obtain other information about motor vehicle safety from <http://www.safercar.gov>.

### **13-6. How to contact Transport Canada in order to report a safety concern relating to the vehicle (Canada)**

---

Transport Canada - ASFAD  
330 Sparks Street  
Ottawa, ON K1A 0N5

Telephone: 819-994-3328  
(Ottawa-Gatineau area or internationally)  
Toll free: 1-800-333-0510 (in Canada)

Online:  
<http://www.tc.gc.ca/recalls>

Transports Canada - ASFAD  
330, rue Sparks  
Ottawa (Ontario) K1A 0N5

Téléphone: 819-994-3328  
(dans la région de Ottawa-Gatineau et à l'extérieur du pays)  
Sans frais: 1-800-333-0510 (au Canada)

Internet:  
<http://www.tc.gc.ca/rappels>

D01001









- A**
- Abbreviation ..... P3
  - ABS (Anti-lock Brake System) ..... P342
    - Warning light ..... P177, P342
  - Access key ..... P113
    - Warning indicator ..... P184
  - Access key fob ..... P113
  - Accessories ..... P501
  - Accessory power outlet ..... P290
  - Air cleaner element ..... P478
  - Air conditioner
    - Automatic climate control ..... P271
    - Manual climate control ..... P273
  - Air filtration system ..... P278
  - Airflow mode ..... P273
  - Alarm system ..... P139
  - All season tires ..... P483
  - All-Wheel Drive warning light ..... P181
  - Alloy wheel ..... P491
    - Cleaning ..... P460
  - Antenna ..... P282
    - Roof antenna ..... P282
  - Anti-lock Brake System (ABS) ..... P342
  - Arming the system ..... P139
  - Armrest ..... P42
  - Ashtray ..... P294
  - Assist grip ..... P295
  - AT OIL TEMP warning light ..... P175
  - Audio
    - Antenna ..... P282
    - Set ..... P282
  - Auto dimmer cancel function ..... P168
  - Auto on/off headlights ..... P236
    - Sensor ..... P238
  - Auto Start Stop system ..... P360
    - Indicator light ..... P192, P360
    - No Activity Detected indicator light ..... P192, P364
    - OFF indicator light ..... P191, P363
    - Warning light ..... P191, P363
  - Auto Vehicle Hold ..... P356
    - ON indicator light ..... P180
    - Operation indicator light ..... P181
  - Auto Vehicle Hold function ..... P356
  - Auto-dimming mirror/compass ..... P249
  - Automatic climate control ..... P271
  - Automatic headlight beam leveler ..... P243
    - Warning light ..... P191
  - Automatic Locking Retractor/Emergency Locking Retractor (ALR/ELR) ..... P52
  - Automatic transmission
    - Fluid ..... P516
    - Oil temperature warning light (AT OIL TEMP) ..... P175
- B**
- Battery ..... P498
    - Drainage prevention function ..... P138
    - Jump starting ..... P443
    - Replacement (access key fob) ..... P127, P508
    - Replacement (remote engine start transmitter) ..... P328
    - Replacement (remote keyless entry system) ..... P134, P509
    - Replacement (transmitter) ..... P134, P509
    - Vehicle battery ..... P498

- Blind Spot Detection (BSD)..... P372
  - Booster cushion..... P71
  - Booster seat..... P71
  - Bottle holder..... P289
  - Brake
    - Assist..... P341
    - Booster..... P340, P482
    - Disc..... P518
    - Fluid..... P481, P516
    - Pad..... P518
    - Parking..... P354
    - Pedal..... P482
    - System..... P340
  - Brake system..... P340
    - Warning light..... P178
  - Braking..... P340
    - Tips..... P340
  - Breaking-in of new brake pads..... P483
  - BSD/RCTA..... P371
    - Approach indicator light/warning buzzer..... P375
    - OFF indicator light..... P193, P377, P378
    - OFF switch..... P378
    - Warning light..... P193, P377
    - Warning volume..... P376
  - Bulb
    - Chart..... P519
    - Replacement..... P501
- C**
- Cargo area
    - Cover..... P297
  - Light..... P285, P506
    - Tie-down hooks..... P299
  - Catalytic converter..... P409
  - Center console..... P289
  - Changing
    - Coolant..... P478
    - Flat tire..... P438
    - Oil and oil filter..... P475
  - Charge warning light..... P175
  - CHECK ENGINE warning light/Malfunction indicator light..... P173
  - Checking
    - Coolant level..... P477
    - Engine oil level..... P474
    - Fluid level (brake fluid)..... P481
    - Fluid level (washer fluid)..... P492
    - Oil level (engine oil)..... P474
  - Child restraint systems..... P62
    - Installation of a booster cushion..... P71
    - Installation of a booster seat..... P71
    - Installation with ALR/ELR seatbelt..... P67
    - Lower and tether anchorages..... P73
    - Top tether anchorages..... P77
  - Child safety..... P5
    - Locks..... P142
  - Chime
    - Key reminder..... P161
    - Light..... P235
    - Seatbelt..... P52, P169
  - Cigarette lighter..... P292

- Cleaning
  - Alloy wheels..... P460
  - Aluminum wheels..... P460
  - Interior..... P461
  - Ventilation grille..... P277
- Climate control system..... P267
  - Automatic..... P271
  - Gesture control..... P403
  - Manual..... P273
- Clock..... P208, P212, P217, P233
- Combination meter display (color LCD)..... P194
- Compass..... P249
- Console
  - Center..... P289
  - Overhead..... P288
- Continuously variable transmission (CVT)..... P330
  - Fluid..... P480, P516
  - Oil temperature warning light (AT OIL TEMP)..... P175
- Control switch light..... P235
- Convenience hook..... P296
- Coolant..... P477, P516
  - Temperature high warning light..... P174
  - Temperature low indicator light..... P174
- Cooling system..... P476
- Corrosion protection..... P460
- Cruise control..... P367
  - CANCEL button..... P368
  - Indicator light..... P190, P367, P371
  - Main button..... P367
  - RES/SET switch..... P367, P369
  - Set indicator light..... P191, P367, P371
- Cup holder
  - Front passenger's..... P289
  - Rear passenger's..... P289
- D**
  - Daytime running light system..... P242
  - Defogger..... P259
  - Defrosting..... P276
  - Deicer..... P259
  - Depress brake indicator light..... P181
  - Differential gear oil
    - Front..... P481, P515
    - Rear..... P481, P515
  - Dimensions..... P512
  - Disarming the alarm system..... P140
  - Disc brake pad wear warning indicators..... P341
  - Dome light..... P284, P506
  - Door
    - Locks..... P135
    - Open warning light..... P181
    - Step light..... P506
    - Unlock selection function..... P201
  - Double trip meter..... P165
  - Drive belts..... P480
  - Driver Monitoring System..... P391
    - Gesture control..... P403
    - OFF indicator light..... P193
    - Operation indicator light..... P193
    - Temporary stop indicator light..... P194
    - Warning light..... P193
  - DriverFocus..... P391

**Driving**

All-Wheel Drive model .....	P410
Drinking .....	P6
Drugs .....	P6
Foreign countries .....	P410
Pets .....	P8
Snowy and icy roads .....	P416
Tips .....	P336, P410
Tired or sleepy .....	P7
Winter .....	P415

**E**

ECO gauge .....	P166
Electrical system .....	P516
Electronic Brake Force Distribution (EBD) system .....	P343
Warning .....	P179
Electronic parking brake .....	P354
Automatic release function by accelerator pedal .....	P355
Light .....	P179
Switch .....	P354
Warning .....	P359
Emergency Locking Retractor (ELR) .....	P52
Engine .....	P512
Compartment overview .....	P473
Coolant .....	P477, P516
Exhaust gas (carbon monoxide) .....	P6, P408
Hood .....	P471
Hood open warning light .....	P181
Hood release knob .....	P471
Low oil level warning light .....	P175
Oil .....	P474, P513

Overheating .....	P446
Starting & stopping .....	P316, P319
Event data recorder .....	P9
Exterior care .....	P458

**F**

Flat tires .....	P438
Floor mat .....	P294
Fluid level	
Brake .....	P481
Continuously variable transmission (CVT) .....	P480
Fog light .....	P243
Bulb .....	P503
Indicator light .....	P191
Switch .....	P243

**Front**

Differential gear oil .....	P481, P515
Fog light .....	P243, P503
Fog light indicator light .....	P191, P243
Fog light switch .....	P243
Passenger's frontal airbag ON and OFF indicators .....	P172
Passenger's seatbelt warning light .....	P169
Seatbelt pretensioners .....	P59
Side marker light .....	P503
View Monitor .....	P301
Front seat	
Forward and backward adjustment .....	P35, P36
Head restraint adjustment .....	P46
Heater .....	P49
Manual seat .....	P35

- Memory function ..... P37
- Power seat ..... P36
- Reclining ..... P35, P36
- Seat height adjustment ..... P36
- Front turn signal light ..... P502
- Fuel ..... P310, P513
  - Consumption indicator ..... P198, P202, P211, P217
  - Economy hints ..... P408
  - Filler lid and cap ..... P311
  - Gauge ..... P166
  - Requirements ..... P310, P513
- Fuses ..... P499
  
- G**
- GAWR (Gross Axle Weight Rating) ..... P420
- Gesture control ..... P403
- Glove box ..... P288
- GVWR (Gross Vehicle Weight Rating) ..... P420
  
- H**
- Hazard warning flasher ..... P164, P436
- Head restraint
  - Front seat ..... P46
  - Rear seat ..... P47
- Headlight ..... P236, P502
  - Beam leveler ..... P243
  - Bulb replacement ..... P502
  - Bulb wattage ..... P519
  - Control switch ..... P235
  - Flasher ..... P238
  - Indicator light ..... P191
- Warning light ..... P502
- Welcome lighting function ..... P237
- Heated Steering Wheel system ..... P261
- High Beam Assist
  - Function ..... P239
  - Indicator light ..... P190
- High beam indicator light ..... P190
- High/low beam change (dimmer) ..... P238
- Hill descent control ..... P347, P351
  - Indicator light ..... P193
- Hill start assist ..... P365
- HomeLink® ..... P249
- Hook
  - Cargo tie-down ..... P299
  - Convenient tie-down ..... P299
  - Shopping bag ..... P296
  - Towing and tie-down ..... P447
- Horn ..... P262
- Hose and connections ..... P477
  
- I**
- Icy road surface warning light ..... P194
- Ignition switch ..... P160
  - Light ..... P161
- Illumination brightness control ..... P168
- Immobilizer ..... P129
  - Indicator light (security indicator light) ..... P129, P188
- Indicator light
  - Auto Start Stop ..... P192
  - Auto Start Stop No Activity Detected ..... P192
  - Auto Start Stop OFF ..... P191



Auto Vehicle Hold ON .....	P180	Inside mirror .....	P249
Auto Vehicle Hold operation .....	P181	Interior lights .....	P284
BSD/RCTA OFF .....	P193, P377, P378	<b>J</b>	
Coolant temperature low .....	P174	Jack and jack handle .....	P436
Cruise control .....	P190, P367, P371	Jack-up point .....	P438
Cruise control set .....	P191, P367, P371	Jump starting .....	P443
Depress brake .....	P181	<b>K</b>	
Driver Monitoring System OFF .....	P193	Key .....	P113
Driver Monitoring System operation .....	P193	Number plate .....	P113
Driver Monitoring System temporary stop .....	P194	Positions .....	P160
Electronic parking brake .....	P179	Reminder chime .....	P161
Front fog light .....	P191	Replacement .....	P129
Front passenger's frontal airbag ON and OFF .....	P172	Keyless access with push-button start system .....	P113
Headlight .....	P191	Disabling keyless access functions .....	P124
High beam .....	P190	Locking and unlocking doors .....	P118
High Beam Assist .....	P190, P239	Warning chimes and warning light .....	P127, P184
Hill descent control .....	P193	When access key fob does not operate properly .....	P127, P164, P321, P451
Intelligent (I) mode .....	P189	Keyless entry system .....	P131
Malfunction .....	P173	<b>L</b>	
RAB OFF .....	P193	Lane Change Assist (LCA) .....	P372
Security .....	P129, P188	Lap belt pretensioner .....	P60
Select lever/Gear position .....	P189	Leather seat materials .....	P462
SI-DRIVE .....	P189	LED headlight warning light .....	P191, P502
Sport (S) mode .....	P189	LED headlights .....	P502
Sport Sharp (S#) mode .....	P189	Light	
Steering Responsive Headlight OFF .....	P191	Backup .....	P505
Turn signal .....	P190	Cargo area .....	P285, P506
Vehicle Dynamics Control OFF .....	P183		
Vehicle Dynamics Control operation .....	P182		
X-MODE .....	P192		

Control switch .....	P235
Daytime running .....	P242, P503
Dome .....	P284, P506
Door step .....	P506
Front fog .....	P243, P503
Front position .....	P236, P243
Front side marker .....	P503
Front turn signal .....	P244, P502
Ignition switch .....	P161
Map .....	P284
Rear gate .....	P285
Rear turn signal .....	P244, P503
Side turn signal .....	P520
Vanity mirror .....	P287, P506
Loading your vehicle .....	P419
Low fuel warning light .....	P181
Low tire pressure warning light .....	P176, P352
Lower and top tether anchorage (LATCH) .....	P73

**M**

## Maintenance

Precautions .....	P467
Schedule .....	P467
Seatbelt .....	P58
Tips .....	P469
Tools .....	P436
Malfunction indicator light (check engine warning light) .....	P173

## Manual

Climate control .....	P273
Mode (continuously variable transmission) .....	P333

Rear gate .....	P145
Seat .....	P35
Manual mode .....	P333
Map light .....	P284
Maximum load limits .....	P426
Meters and gauges .....	P164
Mirror defogger .....	P259
Mirrors .....	P249
Moonroof .....	P154, P454
Switch .....	P154
Multi-function display (black and white) .....	P202
Multi-function display (color LCD) .....	P208

**N**

New vehicle break-in driving .....	P408
------------------------------------	------

**O**

Odometer .....	P165
Oil filter .....	P475
Oil level .....	
Engine .....	P474
Front differential gear .....	P481
Rear differential gear .....	P481
Warning light .....	P175
Oil pressure warning light .....	P175
On-pavement and off-road driving .....	P412
On-road and off-road driving .....	P412
One-touch lane changer .....	P245
Outside .....	
Mirror defogger .....	P259
Mirrors .....	P257

Temperature indicator.....	P207, P211
Overhead console.....	P288
Overheating engine.....	P446

**P**

Parking.....	P354
Brake.....	P354
Tips.....	P359
Parking your vehicle.....	P354
Passenger seatbelt reminder.....	P169
Periodic inspections.....	P410
Petrol fuel.....	P310
PIN code Access.....	P121
Power	
Outlets.....	P290
Outside mirrors.....	P257, P259
Rear gate.....	P146
Rear gate button.....	P148
Seat.....	P36
Steering.....	P339
Steering warning light.....	P182
Window switches.....	P143
Windows.....	P142
Precautions against vehicle modification.....	P61, P108
Preparing to drive.....	P316
Push-button	
Ignition switch.....	P162
Starting and stopping engine.....	P319

**R**

RAB (Reverse Automatic Braking).....	P380
--------------------------------------	------

OFF indicator light.....	P193
ON/OFF setting.....	P389
Warning light.....	P193
Rear Cross Traffic Alert (RCTA).....	P373
Rear differential	
Gear oil.....	P481, P515
Oil temperature warning light.....	P176
Rear gate.....	P145, P453
Light.....	P285
Manual.....	P145
Power.....	P146
Rear Seat Reminder.....	P62
Rear seatbelt warning light.....	P169
Rear seats	
Armrest.....	P42
Folding down.....	P42
Head restraint adjustment.....	P47
Heater.....	P49
Reclining.....	P44
Rear view camera.....	P305
Rear window	
Defogger.....	P259
Wiper and washer switch.....	P248
Wiper blade rubber.....	P497
Wiper blades.....	P496
Recommended	
Brake fluid.....	P482, P516
Continuously variable transmission fluid.....	P516
Engine oil.....	P476, P513
Front differential gear oil.....	P481, P515
Rear differential gear oil.....	P481, P515

Spark plugs..... P480, P516  
 Refueling ..... P311  
 Remote control mirror switch..... P257  
 Remote engine start system..... P322  
 Remote keyless entry system..... P131  
 Replacing battery..... P134, P508  
 Replacement  
 Access key fob battery ..... P134, P508  
 Air cleaner element ..... P479  
 Brake pad..... P483  
 Cabin air filter..... P278  
 Key ..... P129  
 Remote engine start transmitter battery ..... P328  
 Remote keyless entry transmitter battery ..... P134, P509  
 Tire ..... P490  
 Wheel..... P491  
 Wiper blades..... P493  
 Replacing bulbs..... P501  
 Backup light ..... P505  
 Cargo area light..... P506  
 Daytime running light ..... P503  
 Dome light ..... P506  
 Door step light..... P506  
 Front fog light..... P503  
 Front side marker light..... P503  
 Front turn signal light ..... P502  
 Headlight ..... P502  
 Rear turn signal light..... P503  
 Vanity mirror light..... P506  
 Reverse Automatic Braking (RAB) system ..... P380  
 OFF indicator ..... P383, P389

OFF indicator light..... P193  
 ON/OFF setting..... P389  
 Warning indicator ..... P383, P390  
 Warning light ..... P193  
 Reverse Automatic Braking (RAB) system..... P380  
 OFF indicator..... P383, P389  
 OFF indicator light..... P193  
 ON/OFF setting..... P389  
 Warning indicator ..... P383, P390  
 Warning light ..... P193  
 Rocking the vehicle ..... P418  
 Roof  
 Antenna ..... P282  
 Rails..... P421  
 Tent..... P421

## S

### Safety

Precautions when driving ..... P4  
 Symbol ..... P3  
 Warnings..... P2

### Seat

Fabric ..... P461  
 Front ..... P32  
 Heater ..... P48  
 Height adjustment ..... P36  
 Manual ..... P35  
 Memory function ..... P37  
 Power..... P36  
 Rear..... P41

Seatbelt..... P4, P50

Fastening.....	P52	Knee airbag.....	P87
Maintenance.....	P58	Side airbag.....	P99
Pretensioners.....	P59	SRS airbag (Supplemental Restraint System airbag).....	P4, P78
Safety tips.....	P50	System warning light.....	P87, P172
Warning light and chime.....	P52, P169	Starting & stopping engine.....	P316, P319
Security		State emission testing (U.S. only).....	P314
Alarm system.....	P139	Steering lock.....	P318, P321
Immobilizer.....	P129	Steering Responsive Headlight (SRH).....	P242
Indicator light.....	P129, P188	OFF indicator light.....	P191, P242
Position indicator.....	P189	OFF switch.....	P242
Shift lock function.....	P335	Warning light.....	P191
Shopping bag hook.....	P296	Steering wheel	
Shoulder pretensioners.....	P59	Heater.....	P261
SI-DRIVE.....	P337	Lock.....	P318, P321
Indicator light.....	P189	Power.....	P339
Intelligent (I) mode indicator.....	P189, P337	Tilt/telescopic.....	P261
Sport (S) mode indicator.....	P189, P337	Storage compartment.....	P288
Sport Sharp (S#) mode indicator.....	P189, P338	Summer tires.....	P483
Switches.....	P338	Sun visors.....	P286
SI-DRIVE mode.....	P337	Extension plate.....	P286
Skid suppression function.....	P344	Sunshade.....	P155
Snow tires.....	P417, P484	Supplemental Restraint System (SRS).....	P78
Snowy and icy roads.....	P416	Supplemental Restraint System airbag (SRS).....	P4, P78
Sounding a panic alarm.....	P133	Synthetic leather upholstery.....	P462
Spark plugs.....	P480, P516		
Specifications.....	P512	<b>T</b>	
Speedometer.....	P164	Tachometer.....	P164
SRS		Temperature warning light	
Curtain airbag.....	P99	AT OIL TEMP.....	P175
Frontal airbag.....	P87	Coolant.....	P174

- Rear differential oil ..... P176
- Temporary spare tire ..... P437, P517
- Tether (child restraint system) ..... P73, P77
- Tie-down hooks/holes ..... P447
- Tilt/telescopic steering wheel ..... P261
- Tire ..... P483, P517
  - Chains ..... P418
  - Information ..... P526
  - Inspection ..... P485
  - Pressures and wear ..... P486
  - Replacement ..... P490
  - Rotation ..... P489
  - Size and pressure ..... P517
  - Types ..... P483
- Tire pressure monitoring system (TPMS) ..... P176, P352, P442, P484
  - Warning light ..... P176
- Tires and wheels ..... P483
- Tools ..... P436
- Top tether anchorages ..... P73, P77
- Towing ..... P447
  - All wheels on the ground ..... P450
  - Flat-bed truck ..... P450
  - Hooks ..... P447
  - Tie-down hooks ..... P447
  - Weight ..... P426
- Traction control function ..... P344
- Trailer
  - Connecting ..... P424
  - Hitch ..... P423, P429
  - Towing ..... P426
- Towing tips ..... P431
- Trip meter ..... P165
- Turn signal
  - Indicator lights ..... P190
  - Lever ..... P244
- U**
  - Under-floor storage compartment ..... P300
  - USB power supply ..... P292
- V**
  - Valet mode ..... P141
  - Vanity mirror ..... P287
    - Light ..... P287, P506
- Vehicle
  - Capacity weight ..... P419
  - Identification ..... P523
  - Symbols ..... P4
- Vehicle Dynamics Control ..... P344
  - OFF indicator light ..... P183
  - OFF switch ..... P345
  - Operation indicator light ..... P182
  - Warning light ..... P182
- Ventilator ..... P266
- W**
  - Warning and indicator lights ..... P168
  - Warning chimes
    - Driver Monitoring System ..... P398
    - Keyless access with push-button start system ..... P184
    - Seatbelt ..... P52, P169

Warning indicator			
Access key .....	P184		
Keyless access with push-button start system .....	P127		
RAB .....	P383, P390		
Warning light			
ABS .....	P177, P342		
All-Wheel Drive .....	P181		
AT OIL TEMP .....	P175		
Auto Start Stop .....	P191		
Automatic headlight beam leveler .....	P191		
Brake system .....	P178		
BSD/RCTA .....	P193		
Charge .....	P175		
CHECK ENGINE .....	P173		
Coolant temperature high .....	P174		
Door open .....	P181		
Driver Monitoring System .....	P193		
Engine hood open .....	P181		
Engine low oil level .....	P175		
Icy road surface .....	P194		
LED headlight .....	P191		
Low fuel .....	P181		
Low tire pressure .....	P176		
Oil pressure .....	P175		
Power steering .....	P182		
RAB .....	P193		
Rear differential oil temperature .....	P176		
Seatbelt .....	P52, P169		
SRS airbag system .....	P172		
Steering Responsive Headlight .....	P191		
Vehicle Dynamics Control .....	P182		
Windshield washer fluid .....	P175		
Warranties .....	P1		
Warranties and maintenance .....	P426		
Washing .....	P458		
Waxing and polishing .....	P459		
Wear indicators .....	P488		
Welcome lighting function .....	P237		
Wheel			
Alloy .....	P491		
Balance .....	P487		
Nut tightening torque .....	P517		
Replacement .....	P491		
Windows .....	P142		
Windshield			
Washer fluid .....	P492		
Washer fluid warning light .....	P175		
Wiper and washer switches .....	P246		
Wiper blades .....	P494		
Wiper deicer .....	P259		
Winter			
Driving .....	P415		
Tires .....	P417, P484		
Wiper and washer .....	P245		
Wiper deicer .....	P259		
<b>X</b>			
X-MODE .....	P347		
Indicator light .....	P192		
Switch .....	P348		

## **GAS STATION REFERENCE**

---

### **■ Fuel**

Use only **unleaded gasoline** with an octane rating of **87 AKI (90 RON) or higher**.

### **■ Fuel octane rating**

#### **▼ RON**

This octane rating is the Research Octane Number.

#### **▼ AKI**

This octane rating is the average of the Research Octane and Motor Octane numbers and is commonly referred to as the Anti Knock Index (AKI).

### **■ Limit of ethanol content**

No more than 10%

### **■ Fuel tank capacity**

16.6 US gal (63 liters, 13.9 Imp gal)

### **■ Engine oil**

Use only the following oils.

- API classification SN with the words “RESOURCE CONSERVING”, SN PLUS with the words “RESOURCE CONSERVING” or SP with the words “RESOURCE CONSERVING”
- or ILSAC GF-5 or GF-6A, which can be identified with the ILSAC certification mark (Starburst mark)

For the complete viscosity requirements, refer to “Engine oil” [P513](#).

### **■ Engine oil capacity**

4.4 US qt (4.2 liters, 3.7 Imp qt)

The indicated oil quantity is only a guideline and is estimated based on a case when the engine oil is changed with an oil filter. After refilling the engine with oil, the oil level should be checked using the oil level gauge. For more details about maintenance and service, refer to “Engine oil” [P474](#).

### **■ Cold tire pressure**

Refer to “Tires” [P517](#).